

32LC2DC

32" LCD Integrated HDTV

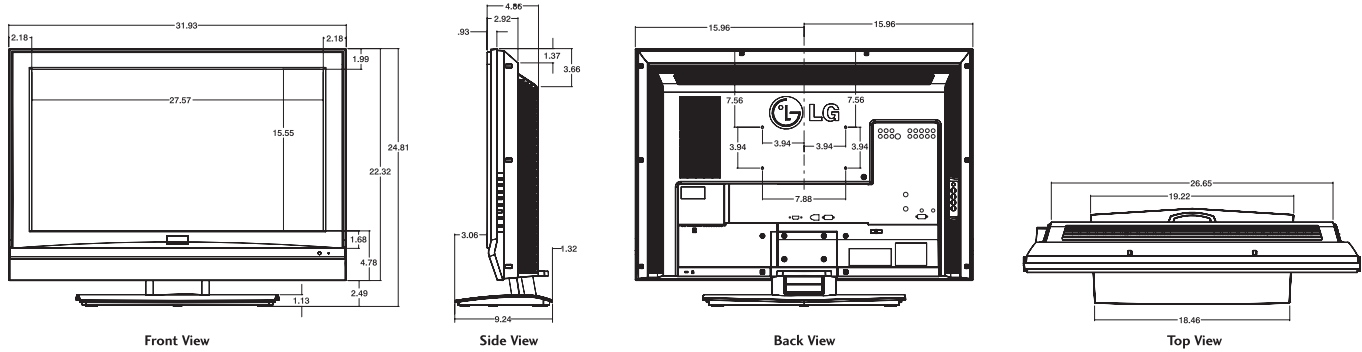


32" INTEGRATED LCD HDTV
REMOVABLE STAND INCLUDED



- **32" HDTV**
Truly Flat LCD screen delivers razor sharp images
- **1366 x 768 Resolution (WXGA)**
High resolution format produces extremely detailed imagery
- **1600:1 High Contrast Ratio**
LCD technology emits sharp contrast between light and dark images
- **178° Degree Viewing Angle**
New Super IPS™ Technology allows for distortion-free viewing from almost any angle
- **Built-in ATSC/NTSC/QAM Tuners**
- **Compatible with LG's HD PPV (Pay-Per-View) Interface**
- **HDMI™ with HDCP**
- **XD Engine®**





SPECIFICATIONS

Panel

Screen Size	32"
Resolution	1366 x 768
Contrast Ratio	1600:1
Brightness	500 cd/m2
Lamp Life	60,000 Hours (typ.)
Viewing Angle (H x V)	178° x 178°
Super IPS™	Yes
Response Time	8 ms

Video

ATSC/NTSC/QAM Tuners	Built-in
Program Guide Type	PSIP
Comb Filter	3D Y/C
Color Temperature	Cool, Mid, Warm
3:2 Pull Down Cinema Correction	480i
Aspect Ratio Adjustment	7 Modes
EZVideo/Picture Selection Mode	7 Modes
XD Engine®	Yes
Black Stretcher (Black Level Enhancer)	Yes
DTV Signal Strength Indicator	Yes
Displayable Colors	1.07 Billion
Noise Reduction (Video Noise Filter)	3D
Decoder Formats	MPEG2
Screen Pitch	0.51 (Pixel Pitch)

Rear Inputs

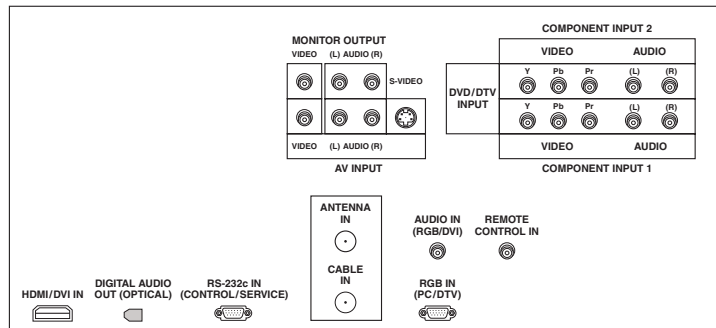
Antenna In (RF)	1
Cable In (RF)	1
HDMI™ (DVI with Adapter)	1
Digital Audio Out (Optical)	1
RS-232C	1
Remote Control In (IR)	1
RGB In (PC/DTV Input)	1
Audio In (RGB/DVI with Adapter)	1
Composite Video & Audio L/R In	1
Composite Video & Audio L/R Out	1
Component HD/DVD & Audio L/R In	2
S-Video In	1

Side Inputs

Composite Video & Audio L/R In	1
S-Video In	1

UPC 719192169791

REAR JACK PANEL



Audio

Audio Power	30W (15W x 2)
Speaker System Details	1 Way 2 Speaker
SRS TruSurround XT™	Yes
3D EchoSound System	Yes
BBE®	Yes
Bass/Treble/Balance	Yes
Auto Volume Leveler (EZ SoundRite™)	Yes
EZ Sound/Sound Selection Mode	6 Modes
Mute	Yes
Mono/Stereo/SAP	Yes

Special Features

Custom Input Labels	Yes
Defeatable Inputs	Yes
Auto Input Detect	Yes
Channel Block	Yes
Freeze	Yes
Discrete IR Codes	Yes
Favorite Channel Selection/Surf	Yes
Trilingual Menus	English/Spanish/French
Sleep Timer, On/Off Timer	Yes
Auto Off (When No Video Is Present)	Yes
Flashback (Previous Channel)	Yes
Parental Control w/V-Chip	Yes
EZ Menus (High Performance Interface)	Yes
EZ Scan (Auto Channel Programming)	Yes
Closed Caption	Yes
Remote	Yes, Universal
Compatible with LST-5600A	Yes

Cabinet

Cabinet Style	Table Top
Table Stand Included	Yes
Color	Black/Silver
Dimensions with Stand (W x H x D)	31.9" x 24.8" x 9.2"
without Stand (W x H x D)	31.9" x 22.3" x 4.9"
Packaging (W x H x D)	35.3" x 28.3" x 11.8"
Weight with Stand	48.6 Lbs.
Weight without Stand	40.8 Lbs.
Weight with Packaging	56.3 Lbs.
VESA™Compatible	Yes

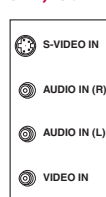
Required Approvals

UL, c-UL, FCC	Yes
---------------	-----

Service/Limited Warranty

Warranty (Parts/Labor)	1 Year
------------------------	--------

SIDE JACK PANEL



www.LGcommercial.com

LG Electronics U.S.A., Inc. 2000 Millbrook Drive, Lincolnshire, IL 60069 Customer Service: 1-888-865-3026

Dimensions and weights are approximate. Design and specifications subject to change without notice. VESA™ is a registered trademark of VideoElectronics Association. SRS and the SRS symbol are registered trademarks of SRS Labs, Inc. in the U.S. and selected foreign countries. TruSurround XT™ is a trademark of SRS Labs, Inc. All other corporate and brandnames are trademarks of their respective owners. The "LG Life's Good", and XD Engine® are registered trademarks of LG Electronics U.S.A., Inc. In Plane Switching® is a registered trademark of LG Philips LCD Ltd., BBE manufactured under license from BBE Sound, Inc. ©2006 LG Electronics U.S.A., Inc. Printed in the USA.