

NEC PlasmaSync® Displays



Best in class image quality and accurate image reproduction

Unsurpassed product reliability and service

Exceptional contrast and brightness no matter what the viewing environment

Flexible features for any commercial application

42VM5 and 42VP5

Command awe-inspiring brilliance.

NEC's commercial plasmas include innovative features and technologies from our renowned design labs.

Inspirational color and image reproduction

- **Best in class image quality.** Image quality so superior that an NEC PlasmaSync display has received the DisplayMate "Five-Star" Best Video Hardware Award.
- **Capsulated Color Filter (CCF)** technology delivers realistic color reproduction.
- **AccuCrimson Filter** technology further enhances the effects of the CCF producing better reds and greens.
- **Digital AccuDevice.** All digital video processing allows for artifact and noise free video.
- **Mass Area Superior Sampling (MASS)** eliminates jagged lines and corrects color bleeds to create clear and defined images.
- **Color Tune Technology.** Adjust individual colors without affecting white balance.
- **Gamma 12** provides the highest color processing in a plasma display at 68.7 billion colors (4096 steps) resulting in increased detail never seen before... no matter what the viewing environment!

Features and controls to improve upon perfection

- **Programmable timer** for virtual self-running operation.
- **Portrait or landscape** display orientation.
- **Anti-glare filter** (42VP5 only) specifically designed to maintain image brightness and contrast where direct ambient light is present.
- **Complete RS232 control** allows command and feedback of the monitor from a control system.
- **Cabinet design** enables small form factor PC's to be attached to the back of the plasma.
- **High altitude capable** with an operating altitude of 9180 feet.
- **Complies with ADA508** standards for color blind and hearing impaired users with black & white menus and closed caption support.
- **Zoom.** Highlight portions of still or motion video to reinforce your message.

Long term investment protection

- **Long lasting.** Up to 60,000 panel half-life (that's 20 years, 8 hours a day)!*
- **Ranked #3** by PAC Media for product quality/reliability and product warranty repair/return programs.
- **Executive Order 13221** advanced power saving features include a standby setting that uses <1 watt and a hard power switch to completely shut down the unit.
- **AccuShield** provides multiple ways to protect from permanent image retention.
- **Low power consumption** places NEC among the leaders in the industry.

see back for details on NEC's
REAL WORLD
CONTRAST MEASUREMENTS

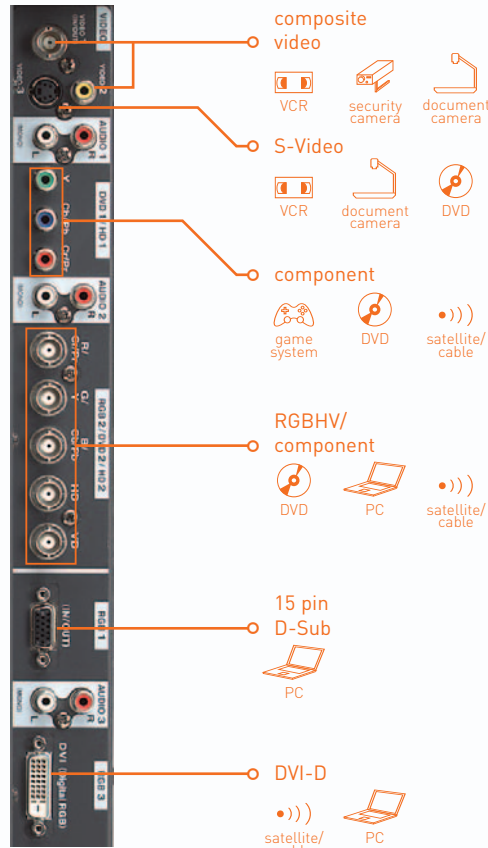
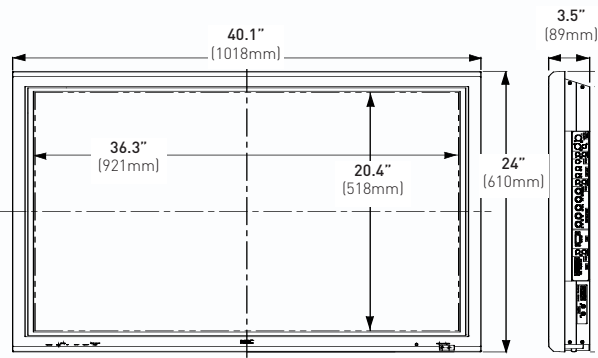
*60,000 hour panel life is an approximate time for the display panel to reach half of it's original brightness. The panel life is based on motion video as the input source and all display settings at factory default. This time may vary if the source varies and monitor settings are not at factory default. The time given does not imply any warranty beyond the products standard warranty.

Empowered by Innovation

NEC

NEC PlasmaSync® Displays

42VM5 and 42VP5



Specifications

Model Number	PX-42VM5A / PX-42VP5A, Diagonal Screen Size 42"																					
Screen Aspect Ratio	16 to 9																					
Active Screen Area	36.3" x 20.4", 921 mm x 518 mm																					
Native Pixel Resolution	853 horizontal dots x 480 vertical rows																					
Pixel Pitch	1.08 mm square																					
Front Filter Type	AR - Anti-reflective (PX-42VM5A) AG - Anti-glare (PX-42VP5A)																					
Color Processing	68.7 billion colors (4096 steps)																					
Viewing Angle	160 degrees																					
Horizontal Frequency Range	15.5 to 110.0 kHz auto, step scan																					
Vertical Frequency Range	50 to 120 Hz auto, step scan																					
PC Signal Compatibility	VGA 640x480 @ 60, 72, 75, 85, 100, 120 Hz SVGA 800x600 @ 56, 60, 72, 75, 85, 100, 120 Hz XGA 1024x768 @ 60, 70, 75, 85, 100 Hz SXGA 1280x1024 @ 60, 75, 85, 100 Hz UXGA 1600x1200 @ 60, 65, 70, 75, 85 Hz WideVGA 848x480, 852 x 480 @ 60 Hz WideXGA 1360 x 765 @ 60 Hz																					
Macintosh Compatibility	640x480, 832x624, 1024x768, 1152x870																					
Video Signal Compatibility	PAL, SECAM, 3.58/4.43 NTSC																					
HD Video Signal Compatibility	480p 480i, 525p, 525i, 540p, 625p, 625i, 720p, 1035i, 1080i																					
Input Terminals	<table border="0"> <tr> <td>RGB 1 (analog)</td> <td>15-pin mini D-sub (common use with RGB out, selectable)</td> </tr> <tr> <td>RGB 2 (analog)</td> <td>5 BNC (RGB/HV) (common use with 5BNC Y/Pb/Pr input, selectable)</td> </tr> <tr> <td>RGB 3 (digital)</td> <td>24-pin DVI-D HDCP (EIA/CEA-861-A) compatible</td> </tr> <tr> <td>Video 1</td> <td>Composite BNC x 1 (common use with video out, selectable)</td> </tr> <tr> <td>Video 2</td> <td>Composite RCA x 1</td> </tr> <tr> <td>Video 3</td> <td>S-Video 4-Pin DIN</td> </tr> <tr> <td>HD Video 1</td> <td>1 set RCA Component (Y,Pb,Pr/Y,Cb,Cr)</td> </tr> <tr> <td>HD Video 2</td> <td>1 set BNC Component (Y,Pb,Pr/Y,Cb,Cr) (common use with 5BNC Y/Pb/Pr input,selectable)</td> </tr> <tr> <td>Audio</td> <td>3 sets RCA stereo + external speaker jacks</td> </tr> </table>		RGB 1 (analog)	15-pin mini D-sub (common use with RGB out, selectable)	RGB 2 (analog)	5 BNC (RGB/HV) (common use with 5BNC Y/Pb/Pr input, selectable)	RGB 3 (digital)	24-pin DVI-D HDCP (EIA/CEA-861-A) compatible	Video 1	Composite BNC x 1 (common use with video out, selectable)	Video 2	Composite RCA x 1	Video 3	S-Video 4-Pin DIN	HD Video 1	1 set RCA Component (Y,Pb,Pr/Y,Cb,Cr)	HD Video 2	1 set BNC Component (Y,Pb,Pr/Y,Cb,Cr) (common use with 5BNC Y/Pb/Pr input,selectable)	Audio	3 sets RCA stereo + external speaker jacks		
RGB 1 (analog)	15-pin mini D-sub (common use with RGB out, selectable)																					
RGB 2 (analog)	5 BNC (RGB/HV) (common use with 5BNC Y/Pb/Pr input, selectable)																					
RGB 3 (digital)	24-pin DVI-D HDCP (EIA/CEA-861-A) compatible																					
Video 1	Composite BNC x 1 (common use with video out, selectable)																					
Video 2	Composite RCA x 1																					
Video 3	S-Video 4-Pin DIN																					
HD Video 1	1 set RCA Component (Y,Pb,Pr/Y,Cb,Cr)																					
HD Video 2	1 set BNC Component (Y,Pb,Pr/Y,Cb,Cr) (common use with 5BNC Y/Pb/Pr input,selectable)																					
Audio	3 sets RCA stereo + external speaker jacks																					
Output terminals	<table border="0"> <tr> <td>RGB (analog)</td> <td>15 PIN mini D-sub (common use with RGB1, selectable)</td> </tr> <tr> <td>Video</td> <td>Composite BNC (common use with Video1, selectable)</td> </tr> </table>		RGB (analog)	15 PIN mini D-sub (common use with RGB1, selectable)	Video	Composite BNC (common use with Video1, selectable)																
RGB (analog)	15 PIN mini D-sub (common use with RGB1, selectable)																					
Video	Composite BNC (common use with Video1, selectable)																					
Audio	Internal amplifier, 8W x 2 output power																					
External Control	9-pin mini D-Sub, RS232																					
User Controls	<table border="0"> <tr> <td>Direct Access</td> <td>Power on/off, input selection, volume up/down, OSM access, (Control Lock Switch located on input panel)</td> </tr> <tr> <td>Remote Control</td> <td>Power on/off, input select, volume, mute, wide, display, off-timer, OSM control, cursor, pointer, zoom, auto, select</td> </tr> <tr> <td>OSM</td> <td> Picture - Contrast, brightness, sharpness, color, tint, color temperature, white balance, picture mode, noise reduction, gamma, low tone and color tune Audio - bass, treble, balance and audio input Image Adjust - aspect ratio mode, vertical position, horizontal position, vertical height, horizontal width, fine picture, picture adjust, auto picture Option 1 - OSM on/off, BNC Input, D-sub Input, RGB select, HD select, Input Skip, All Reset Option 2 - Pwr. Management, Cinema Mode, Long Life Mode, Closed Captioning, DVI Setup Option 3 - Timer, Pwr. On mode, Control Lock, IR Remote, Loop Out, ID Number, Video Wall Advanced OSM, Language, Color System, Source Information </td> </tr> </table>		Direct Access	Power on/off, input selection, volume up/down, OSM access, (Control Lock Switch located on input panel)	Remote Control	Power on/off, input select, volume, mute, wide, display, off-timer, OSM control, cursor, pointer, zoom, auto, select	OSM	Picture - Contrast, brightness, sharpness, color, tint, color temperature, white balance, picture mode, noise reduction, gamma, low tone and color tune Audio - bass, treble, balance and audio input Image Adjust - aspect ratio mode, vertical position, horizontal position, vertical height, horizontal width, fine picture, picture adjust, auto picture Option 1 - OSM on/off, BNC Input, D-sub Input, RGB select, HD select, Input Skip, All Reset Option 2 - Pwr. Management, Cinema Mode, Long Life Mode, Closed Captioning, DVI Setup Option 3 - Timer, Pwr. On mode, Control Lock, IR Remote, Loop Out, ID Number, Video Wall Advanced OSM, Language, Color System, Source Information														
Direct Access	Power on/off, input selection, volume up/down, OSM access, (Control Lock Switch located on input panel)																					
Remote Control	Power on/off, input select, volume, mute, wide, display, off-timer, OSM control, cursor, pointer, zoom, auto, select																					
OSM	Picture - Contrast, brightness, sharpness, color, tint, color temperature, white balance, picture mode, noise reduction, gamma, low tone and color tune Audio - bass, treble, balance and audio input Image Adjust - aspect ratio mode, vertical position, horizontal position, vertical height, horizontal width, fine picture, picture adjust, auto picture Option 1 - OSM on/off, BNC Input, D-sub Input, RGB select, HD select, Input Skip, All Reset Option 2 - Pwr. Management, Cinema Mode, Long Life Mode, Closed Captioning, DVI Setup Option 3 - Timer, Pwr. On mode, Control Lock, IR Remote, Loop Out, ID Number, Video Wall Advanced OSM, Language, Color System, Source Information																					
Plug & Play	DDC1, DDC2B (RGB3 is DDC2B only)																					
Power Requirements	120V 50/60 Hz																					
Power Consumption	270W Typical, 4.5A max																					
Standby Power	0.80W																					
Dimensions (WxHxD) - Weight	40.1" x 24.0" x 3.5", 1018 mm x 610 mm x 89 mm (without base) 63.0 lbs., 28.5 kg (without tabletop stand)																					
Environmental Considerations	<table border="0"> <tr> <td>Operating Temperature</td> <td>32 - 104 degrees F (0 - 40 degrees C)</td> </tr> <tr> <td>Operating Humidity</td> <td>20 - 80%</td> </tr> <tr> <td>Operating Altitude</td> <td>0 - 9180 feet (0 - 2800m)</td> </tr> <tr> <td>Storage Temperature</td> <td>14 - 122 degrees F (-10 - 50 degrees C)</td> </tr> <tr> <td>Storage Humidity</td> <td>10 - 90%</td> </tr> <tr> <td>Storage Altitude</td> <td>0 to 9840 feet (0 - 3000m)</td> </tr> </table>		Operating Temperature	32 - 104 degrees F (0 - 40 degrees C)	Operating Humidity	20 - 80%	Operating Altitude	0 - 9180 feet (0 - 2800m)	Storage Temperature	14 - 122 degrees F (-10 - 50 degrees C)	Storage Humidity	10 - 90%	Storage Altitude	0 to 9840 feet (0 - 3000m)								
Operating Temperature	32 - 104 degrees F (0 - 40 degrees C)																					
Operating Humidity	20 - 80%																					
Operating Altitude	0 - 9180 feet (0 - 2800m)																					
Storage Temperature	14 - 122 degrees F (-10 - 50 degrees C)																					
Storage Humidity	10 - 90%																					
Storage Altitude	0 to 9840 feet (0 - 3000m)																					
Warranty	1 Year Parts & Labor Standard																					
Regulatory	FCC Class A, UL1950, CSA950																					
Included Accessories	AC Power Cord, User Manual, Remote Control, Batteries, Cable Clamps																					
Optional Accessories	<table border="0"> <tr> <td>Tabletop Stand</td> <td>PX-ST11U</td> </tr> <tr> <td>Fixed Wall Mount</td> <td>FWMK</td> </tr> <tr> <td>Tilt Wall Mount</td> <td>TWMK</td> </tr> <tr> <td>Ceiling Mount</td> <td>CMK</td> </tr> <tr> <td>Fixed Wall Mount for PC</td> <td>FWMKPC</td> </tr> <tr> <td>Tilt Wall Mount for PC</td> <td>TWMKPC</td> </tr> <tr> <td>Ceiling Mount for PC</td> <td>CMKPC</td> </tr> <tr> <td>Attachable Speakers</td> <td>PX-42SP1U</td> </tr> <tr> <td>Input Terminal Cover</td> <td>PX-CV2U</td> </tr> <tr> <td>Stand Plug</td> <td>PX-PL1U</td> </tr> </table>		Tabletop Stand	PX-ST11U	Fixed Wall Mount	FWMK	Tilt Wall Mount	TWMK	Ceiling Mount	CMK	Fixed Wall Mount for PC	FWMKPC	Tilt Wall Mount for PC	TWMKPC	Ceiling Mount for PC	CMKPC	Attachable Speakers	PX-42SP1U	Input Terminal Cover	PX-CV2U	Stand Plug	PX-PL1U
Tabletop Stand	PX-ST11U																					
Fixed Wall Mount	FWMK																					
Tilt Wall Mount	TWMK																					
Ceiling Mount	CMK																					
Fixed Wall Mount for PC	FWMKPC																					
Tilt Wall Mount for PC	TWMKPC																					
Ceiling Mount for PC	CMKPC																					
Attachable Speakers	PX-42SP1U																					
Input Terminal Cover	PX-CV2U																					
Stand Plug	PX-PL1U																					

*Signal DA is required for sending a signal to more than 4 monitors simultaneously.

Contrast measurements for the real world.

To date, the plasma display market has not followed a consistent standard to determine contrast ratio with most measurements taken in unrealistically dark viewing conditions.

NEC takes pride in its contrast measurements, which reflect true-to-life viewing conditions typically found in environments that would incorporate a plasma display, such as an office, school, airport, shopping mall or home. By providing plasma displays that are optimized for "real world" conditions, users are assured more accurate image depth and detail that is real and not washed out.

NEC is setting the standard for high contrast in real world applications. This standard is validated by the PlasmaSync 61XM2's Five-Star DisplayMate Best Video Hardware Award. According to Dr. Raymond Soneira, President of DisplayMate Technologies, "The NEC 61XM2 Plasma monitor delivered impressive image and picture quality for both computer and video applications. Performance in both the laboratory tests and viewing tests was outstanding. The colors were bright, saturated and an excellent match to our professional studio reference monitor."

Service and Support

The PlasmaSync 42VM5 and 42VP5 are supported by NEC's industry leading service and support programs. They come with a standard 1-year manufacturer's warranty plus an extended warranty option that provides two additional years of coverage and is available from your authorized NEC Visual Systems Division dealer.

For more information, call **1.800.NEC.INFO** or visit **www.necvisualsystems.com**

NEC is a registered trademark of NEC Corporation. All other trademarks are the property of their respective owners. All specifications subject to change without notice.

NEC Solutions (America), Inc.
Visual Systems Division
1250 Arlington Heights Rd., Suite 400
Itasca, IL 60143-1248

Empowered by Innovation

