

Pioneer *sound.vision.soul*

Operating Instructions | Mode d'emploi | Manual de instrucciones

HDMITM
HIGH-DEFINITION MULTIMEDIA INTERFACE

DOLBY
DIGITAL

SRS 
WOW
DIGITAL

TV
GUIDE

PLASMA DISPLAY SYSTEM
SYSTEME D'ÉCRAN PLASMA
SISTEMA DE PANTALLA DE PLASMA

PDP-6010_{FD}

PDP-5010_{FD}

IMPORTANT



The lightning flash with arrowhead symbol, within an equilateral triangle, is intended to alert the user to the presence of uninsulated "dangerous voltage" within the product's enclosure that may be of sufficient magnitude to constitute a risk of electric shock to persons.

CAUTION

RISK OF ELECTRIC SHOCK
DO NOT OPEN

CAUTION:


TO PREVENT THE RISK OF ELECTRIC SHOCK, DO NOT REMOVE COVER (OR BACK). NO USER-SERVICEABLE PARTS INSIDE. REFER SERVICING TO QUALIFIED SERVICE PERSONNEL.



The exclamation point within an equilateral triangle is intended to alert the user to the presence of important operating and maintenance (servicing) instructions in the literature accompanying the appliance.

D3-4-2-1-1_En-A

IMPORTANT SAFETY INSTRUCTIONS

- 1) Read these instructions.
 - 2) Keep these instructions.
 - 3) Heed all warnings.
 - 4) Follow all instructions.
 - 5) Do not use this apparatus near water.
 - 6) Clean only with dry cloth.
 - 7) Do not block any ventilation openings. Install in accordance with the manufacturer's instructions.
 - 8) Do not install near any heat sources such as radiators, heat registers, stoves, or other apparatus (including amplifiers) that produce heat.
 - 9) Do not defeat the safety purpose of the polarized or grounding-type plug. A polarized plug has two blades with one wider than the other. A grounding type plug has two blades and a third grounding prong. The wide blade or the third prong are provided for your safety. If the provided plug does not fit into your outlet, consult an electrician for replacement of the obsolete outlet.
 - 10) Protect the power cord from being walked on or pinched particularly at plugs, convenience receptacles, and the point where they exit from the apparatus.
 - 11) Only use attachments/accessories specified by the manufacturer.
 - 12) Use only with the cart, stand, tripod, bracket, or table specified by the manufacturer, or sold with the apparatus. When a cart is used, use caution when moving the cart/apparatus combination to avoid injury from tip-over.
- 
- 13) Unplug this apparatus during lightning storms or when unused for long periods of time.
 - 14) Refer all servicing to qualified service personnel. Servicing is required when the apparatus has been damaged in any way, such as power-supply cord or plug is damaged, liquid has been spilled or objects have fallen into the apparatus, the apparatus has been exposed to rain or moisture, does not operate normally, or has been dropped.

WARNING: This equipment is not waterproof. To prevent a fire or shock hazard, do not place any container filled with liquid near this equipment (such as a vase or flower pot) or expose it to dripping, splashing, rain or moisture.

D3-4-2-1-3_A_En

NOTE TO CATV SYSTEM INSTALLER

THIS REMINDER IS PROVIDED TO CALL THE CATV SYSTEM INSTALLER'S ATTENTION TO ARTICLE 820-40 OF THE NEC THAT PROVIDES GUIDELINES FOR PROPER GROUNDING AND, IN PARTICULAR, SPECIFIES THAT THE CABLE GROUND SHALL BE CONNECTED TO THE GROUNDING SYSTEM OF THE BUILDING, AS CLOSE TO THE POINT OF CABLE ENTRY AS PRACTICAL.

D1-4-2-8_En

WARNING: This product equipped with a three-wire grounding (earthed) plug - a plug that has a third (grounding) pin. This plug only fits a grounding-type power outlet. If you are unable to insert the plug into an outlet, contact a licensed electrician to replace the outlet with a properly grounded one. Do not defeat the safety purpose of the grounding plug

D3-4-2-1-6_A_En

WARNING: To prevent a fire hazard, do not place any naked flame sources (such as a lighted candle) on the equipment.

D3-4-2-1-7a_A_En

This digital television is capable of receiving analog basic, digital basic and digital premium cable television programming by direct connection to a cable system providing such programming. A security card provided by your cable operator is required to view encrypted digital programming. Certain advanced and interactive digital cable services such as video-on-demand, a cable operator's enhanced program guide and data-enhanced television services may require the use of a set-top box. For more information call your local cable operator.

VENTILATION CAUTION:

When installing this unit, make sure to leave space around the unit for ventilation to improve heat radiation. For the minimum space required, see page 17.

WARNING: Slots and openings in the cabinet are provided for ventilation to ensure reliable operation of the product, and to protect it from overheating. To prevent fire hazard, the openings should never be blocked or covered with items (such as newspapers, table-cloths, curtains) or by operating the equipment on thick carpet or a bed.

WARNING: Handling the cord on this product or cords associated with accessories sold with the product will expose you to chemicals listed on proposition 65 known to the State of California and other governmental entities to cause cancer and birth defect or other reproductive harm.

Wash hands after handling

D36-P4_A_En

Information to User

Alteration or modifications carried out without appropriate authorization may invalidate the user's right to operate the equipment.

[For Canadian model]

This Class B digital apparatus complies with Canadian ICES-003.

FEDERAL COMMUNICATIONS COMMISSION DECLARATION OF CONFORMITY

This device complies with part 15 of the FCC Rules. Operation is subject to the following two conditions: (1) This device may not cause harmful interference, and (2) this device must accept any interference received, including interference that may cause undesired operation.

Product Name: Plasma Display System

Model Number: PDP-6010FD/PDP-5010FD

Product Category: Class B Personal Computers & Peripherals

Responsible Party Name: PIONEER ELECTRONICS SERVICE, INC.

Address: 1925 E. DOMINGUEZ ST., LONG BEACH, CA 90801-1760, U.S.A.

Phone: 800-421-1625

URL : <http://www.pioneerelectronics.com>

NOTE: This equipment has been tested and found to comply with the limits for a Class B digital device, pursuant to Part 15 of the FCC Rules. These limits are designed to provide reasonable protection against harmful interference in a residential installation.

This equipment generates, uses, and can radiate radio frequency energy and, if not installed and used in accordance with the instructions, may cause harmful interference to radio communications. However, there is no guarantee that interference will not occur in a particular installation. If this equipment does cause harmful interference to radio or television reception, which can be determined by turning the equipment off and on, the user is encouraged to try to correct the interference by one or more of the following measures:

- Reorient or relocate the receiving antenna.
- Increase the separation between the equipment and receiver.
- Connect the equipment into an outlet on a circuit different from that to which the receiver is connected.
- Consult the dealer or an experienced radio/TV technician for help.

D8-10-1-2_En

CAUTION: This product satisfies FCC regulations when shielded cables and connectors are used to connect the unit to other equipment. To prevent electromagnetic interference with electric appliances such as radios and televisions, use shielded cables and connectors for connections.

D8-10-3a_En

IMPORTANT NOTICE – THE SERIAL NUMBER FOR THIS EQUIPMENT IS LOCATED IN THE REAR. PLEASE WRITE THIS SERIAL NUMBER ON YOUR ENCLOSED WARRANTY CARD AND KEEP IN A SECURE AREA. THIS IS FOR YOUR SECURITY.

D1-4-2-6-1_En

CAUTION: The \odot switch on this unit will not completely shut off all power from the AC outlet. Since the power cord serves as the main disconnect device for the unit, you will need to unplug it from the AC outlet to shut down all power. Therefore, make sure the unit has been installed so that the power cord can be easily unplugged from the AC outlet in case of an accident. To avoid fire hazard, the power cord should also be unplugged from the AC outlet when left unused for a long period of time (for example, when on vacation)

D3-4-2-2a_A_En

STANDBY: When placed into the standby mode, the main power flow is cut and the unit is no longer fully operational.

STANDBY/ON Indicator: The indicator is lit red when the unit is in the standby mode and lit blue when it is in the power-on mode. No operation can be performed when the indicator is off. However, the Plasma Display system will still consume some power as long as the power cord is inserted into the power outlet.

Operating Environment

Operating environment temperature and humidity:

+0 °C to +40 °C (+32 °F to +104 °F); less than 85 %RH (cooling vents not blocked)

Do not install this unit in a poorly ventilated area, or in locations exposed to high humidity or direct sunlight (or strong artificial light)

D3-4-2-1-7c_A_En

Thank you for buying this Pioneer product.

Please read through these operating instructions so you will know how to operate your model properly. After you have finished reading the instructions, put them away in a safe place for future reference.

In some countries or regions, the shape of the power plug and power outlet may sometimes differ from that shown in the explanatory drawings. However the method of connecting and operating the unit is the same.

Illustrations shown in this manual are for the PDP-5010FD unless otherwise specified.

Contents

01 Important User Guidance Information	7	Changing channels	34
02 Safety Precautions	10	Changing the volume and sound	35
Installation Precautions	11	Changing the language.....	35
03 Supplied Accessories.....	12	Setting MTS/SAP mode.....	36
Stand accessories		Viewing a channel banner	37
(PDP-6010FD only)	12	Using the POD service	37
Speaker accessories	13	Using the multiscreen functions	37
04 Part Names.....	14	Splitting the screen	37
Plasma display	14	Freezing images	38
Remote control unit.....	16	07 TV Guide On Screen™ System	
05 Preparation	17	Setup	39
Installing the plasma display	17	About the TV Guide On Screen™	
Moving the plasma display	17	system	39
Attaching the Pioneer stand	17	Setting up the TV Guide On Screen™	
Installing the Pioneer speaker	18	system	39
When using the hung on wall unit		08 The HOME MENU	42
(PDP-6010FD)	22	HOME MENU overview	42
When using the hung on wall unit		Using the HOME MENU	42
(PDP-5010FD)	26	09 Tuner Setup.....	43
Preventing the plasma display from		Setting up TV channels	43
falling over	27	Using Auto Channel Preset	43
Detaching the Pioneer stand.....	28	Setting for skipping unwanted	
Cable connections for watching digital		channels	43
and/or conventional TV channels	30	Setting up TV channels manually.....	43
Inserting the CableCARD™	30	Checking signal strength	43
Routing cables	31	Checking the CableCARD™ ID.....	44
Connecting the power cord.....	31	Parental Control	44
Preparing the remote control unit.....	32	Changing the password	44
Allowed operation range of the remote		Clearing the password	45
control unit.....	32	Activating the Parental Control	45
06 Basic Operations.....	33	Setting the voluntary movie rating	
Turning on the power.....	33	system (MPAA)	45
Turning off the power.....	33	Setting the TV ratings	45
Watching TV channels.....	34	Setting the TV Parental Guidelines	
Selecting the antenna.....	34	(TV Guidelines)	46
		Blocking Not Rated TV programs.....	46
		Canadian rating systems	46
		Setting Canadian English ratings	47

Setting Canadian French ratings	47	Using PureCinema.....	61
Setting new ratings	47	Using the Picture Detail	62
Deleting new ratings	48	Using Color Temp	62
Temporarily deactivating the Parental Control	48	Using CTI	62
Setting your favorite channels	49	Eliminating noise from images.....	62
Setting up closed captions.....	49	Comparing picture adjustments on the screen	63
Activating the closed caption.....	49	Sound adjustments	63
Selecting the type of conventional closed captions.....	49	Power Control	64
Selecting digital closed captions	49	Energy Save	64
Selecting digital closed caption parameters	50	No Signal off (AV source only)	64
Clock Setting	50	No Operation off (AV source only)	65
		Power Management (PC source only)	65
10 TV Guide On Screen™ System Operation	51	Sleep Timer	65
Using the TV Guide On Screen™ system	51	Image position adjustment (AV source only).....	66
Screen components	51	Automatic image position and clock adjustments (PC source only)	66
The Listings screen	52	Manual image position and clock adjustments (PC source only)	66
Setting program reminders.....	52	Reducing video noise	67
Searching for programs	54	Selecting a game mode	67
Searching by category.....	54	Selecting a screen size manually.....	67
Searching by keyword	55	Selecting a screen size automatically	68
Alphabetical search	55	Detecting side masks.....	68
The search Episode Options menu	56	Changing the brightness at both sides of the screen (Side Mask)	68
Scheduling reminders	56	Room Light Sensor.....	69
Using the reminder To Do list.....	57	Blue LED Dimmer.....	69
Changing setup options	57	Orbiter.....	69
Changing the system settings.....	57	Video Pattern.....	69
Changing the channel display settings	58	Language setting	69
Changing the default options.....	59		
Displaying setup progress	59	12 Enjoying through External Equipment	70
11 Adjustments and Settings	60	About External Equipment.....	70
AV Selection	60	Watching a DVD image	70
Basic picture adjustments	61	Watching a VCR image.....	70
Advanced picture adjustments.....	61	Using HDMI Input	71

Enjoying a game console or watching camcorder images	73
Connecting other audio equipment	73
Watching an image from a personal computer	74
Computer compatibility chart	74
Connecting control cords.....	75
Enjoying through USB interface (Home Gallery function)	76
Connecting a USB device.....	76
Removing a USB device	76
Starting the initial Home Gallery screen.....	77
Starting a thumbnail screen.....	77
Starting a standard single-image screen.....	77
Starting the Slide Show Setup screen.....	78
Starting the Slide Show screen.....	78
13 Using the HDMI Control.....	79
Using the HDMI Control functions.....	79
Making the HDMI Control connections	80
Setting the HDMI Control.....	81
Using the HDMI Control menus	82
14 Useful Remote Control Features	83
Presetting manufacturer codes to control other devices	83
Presetting manufacturer codes	83
Library Search.....	83
Manufacturing Reset	83
Programming codes	84
Using the remote control unit to control other devices.....	89
15 Appendix	93
Troubleshooting	93
Specifications.....	103

Chapter 1

Important User Guidance Information

In order to obtain maximum enjoyment from this Pioneer PDP-6010FD/PDP-5010FD plasma display, please first read this information carefully.

With the Pioneer PDP-6010FD/PDP-5010FD, you can be assured of a high quality plasma display with long-life and high reliability. To achieve images of exceptional quality, this Pioneer plasma display incorporates state-of-the-art design and construction, as well as very precise and highly advanced technology.

The Pioneer PDP-6010FD/PDP-5010FD incorporates the latest in color filter technology – Direct Color Filter. This improves the color/picture reproduction of these models as compared to previous models. It also eliminates the need for a physical glass panel to be placed in front of the plasma panel, which furthers Pioneer's continued goal of reducing environmental waste in consumer electronics, now during the manufacturing process and in the future during the recycling process.

Over the course of its lifetime, the luminosity of the Pioneer PDP-6010FD/PDP-5010FD plasma display will diminish very slowly, such as with all phosphor-based screens (for example, a traditional tube-type television). To enjoy beautiful and bright images on your Pioneer plasma display for many years to come, please carefully read and follow the usage guidelines below.

Usage guidelines

All phosphor-based screens (including conventional tube-type televisions) can be affected by displaying static images for a prolonged period. Plasma displays are no exception to this rule. After-image and permanent effects on the screen can be avoided by taking some basic precautions. By following the recommendations listed below, you can ensure longer and satisfactory results from your plasma:

- Whenever possible, avoid frequently displaying the same image or virtually still moving pictures (e.g. closed-captioned images or video game images which have static portions).
- Avoid viewing the On Screen Display for extended periods, from a DVD player, VCR, and all other components.
- Do not leave the same picture freeze-framed or paused continuously over a long period of time, when using the still picture mode from a TV, VCR, DVD player or any other component.
- Images which have both very bright areas and very dark areas side by side should not be displayed for a prolonged period of time.
- When playing a game, the "GAME" mode setting within "AV Selection" is strongly recommended. However, please limit its use to less than two hours at a time.
- After playing a game, or displaying a PC image or any still image, it is best to view a normal moving picture in the "WIDE" or "FULL" screen setting for over three times longer than the previous still/moving image.
- After using the plasma display, always switch the display to "STANDBY" mode.
- Extensive viewing of content with top, bottom, or side masks may cause uneven wear. After viewing masked content, it is recommended to view full screen motion video for an equal or greater amount of time.

Installation guidelines

The Pioneer PDP-6010FD/PDP-5010FD plasma display incorporates a very thin design. To ensure safety, please take the proper measures to mount or install the plasma display, in order to prevent the unit from tipping over in the event of vibration or accidental movement.

This product should be installed by using only parts and accessories designed by Pioneer. Use of accessories other than the Pioneer stand or installation bracket may result in instability, and could cause injury. For custom installation, please consult the dealer where the unit was purchased. To ensure correct installation, experienced and qualified experts must install the unit.

Pioneer will not be held responsible for accident or damage caused by the use of parts and accessories manufactured by other companies, inadequate installation or stabilization, erroneous operation, remodeling or natural disasters.

To avoid malfunction and overheating when installing, make sure that the vents on the main unit are not blocked. To ensure proper heat emission:

- Distance the unit slightly from other equipment, walls, etc. For the minimum space required around the unit, see page 17.
- Do not fit the unit inside narrow spaces where ventilation is poor.
- Do not cover with a cloth, etc.
- Clean the vents on the sides and rear of the unit to remove dust build-up by using a vacuum cleaner set to its lowest suction setting.
- Do not place the product on a carpet or blanket.
- Do not leave the product tilted over.
- Do not invert the product.

Using the unit without proper ventilation may cause the internal temperature to rise, and could result in possible malfunction. When the surrounding or internal temperature exceeds a certain degree, the display will automatically power off in order to cool the internal electronics and prevent a hazardous occurrence.

Malfunction can be caused by many factors: inappropriate installation site, improper assembly/installation/mounting, improper operation of or modifications made to this product. However, Pioneer cannot be held responsible for accidents or malfunction caused by the above.

Note

The following are typical effects and characteristics of a phosphor-based matrix display and as such, are not covered by the manufacturer's limited warranties:

- Permanent residual images upon the phosphors of the panel.
- The existence of a minute number of inactive light cells.
- Panel generated sounds, examples: Fan motor noise, and electrical circuit humming/glass panel buzzing

Caution

Pioneer bears no responsibility for any damage arising from incorrect use of the product by you or other people, malfunctions when in use, other product related problems, and use of the product except in cases where the company must be liable.

Plasma display protection function

When still images (such as photos and computer images) stay on the screen for an extended period of time, the screen will be slightly dimmed. This is because the protection function of the plasma display automatically adjusts the brightness to protect the screen when detecting still images; so this does not designate malfunction. The screen is dimmed when a still image is detected for about three minutes.

Information of pixel defect

Plasma screens display information using pixels. Pioneer plasma display panels contain a very large number of pixels. (Over 3.1 million pixels for a 50 inch/60 inch display.) All Pioneer display panels are manufactured using a very high level of ultra-precision technology and undergo individual quality control.

In rare cases, some pixels can be permanently switched off, or on, resulting in either a black or colored pixel permanently fixed on the screen.

This effect is common to all plasma displays because it is a consequence of the technology.

If the defective pixels are visible at a normal viewing distance of between 2.5 and 3.5 meters (8.2 and 11.5 feet) while viewing a normal broadcast (i.e. not a test card, still image or single color display) please contact Pioneer Customer Support Div. (USA) or Customer Satisfaction Dept. (CANADA). See back cover.

If, however, they can only be seen close up or during single color displays then this is considered normal for this technology.

Infrared rays

The plasma display releases infrared rays because of its characteristics. Depending on how the plasma display is in use, the remote controls of nearby equipment may be adversely affected or wireless headphones using infrared rays are interfered with by noise. If this is the case, place that equipment at a location where its remote control sensor is not affected.

Radio interference

While this product meets the required specifications, it emits a small amount of noise. If you place such equipment as an AM radio, personal computer, and VCR close to this product, that equipment may be interfered. If this happens, place that equipment far enough from this product.

Plasma display driving sound

The screen of the plasma display is composed of extremely fine pixels and these pixels emit light according to received video signals. This principle may cause you to hear a buzz or electrical hum coming from the plasma display.

Do not attach such items as labels and tape to the product

- This may result in the discoloration or scratch of the cabinet.

When not using the product for a long period of time

- If you do not use the product for a long period of time, the functions of the product may be adversely affected. Switch on and run the product occasionally.

Condensation

- Condensation may take place on the surface or inside of the product when the product is rapidly moved from a cold place to a warm place or just after a heater is switched on on a winter morning, for example. When condensation takes place, do not switch on the product until condensation disappears. Using the product with condensation may result in malfunction.

Cleaning the surface of the screen and the glossy surface of the front cabinet

- When cleaning the surface of the screen or the glossy surface of the front cabinet, gently wipe it with a dry soft cloth; the supplied cleaning cloth or other similar cloths (e.g., cotton and flannel). If you use a dusty or hard cloth or if you rub the screen hard, the surface of the product will be scratched.
- If you clean the surface of the screen with a wet cloth, water droplets on the surface may enter into the product, resulting in malfunction.

Cleaning the cabinet

- When cleaning the cabinet of this product, gently wipe it with a clean soft cloth (e.g., cotton and flannel). If you use a dusty or hard cloth or if you rub the cabinet hard, the surface of the cabinet will be scratched.
- The cabinet of this product is mostly composed of plastic. Do not use chemicals such as benzene or thinner to clean the cabinet. Using these chemicals may result in quality deterioration or coating removal.
- Do not expose the product to volatile gas or fluid such as pesticide. Do not bring the product in contact with rubber or vinyl products for a long period of time. The effect of plasticizer in the plastic may result in quality deterioration or coating removal.
- If you clean the surface of the cabinet with a wet cloth, water droplets on the surface may enter into the product, resulting in malfunction.

Handles at the rear of the plasma display

- Do not remove the handles from the rear of the plasma display.
- When moving the plasma display, ask another person for help and use the handles attached to the rear of the plasma display. Do not move the plasma display by holding only a single handle. Use the handles as shown on page 17.
- Do not use the handles to hang the product when installing or carrying the product, for example. Do not use the handles for the purpose of preventing the product from tilting over.

Fan motor noise

The rotation speed of the cooling fan motor increases when the ambient temperature of the plasma display becomes high. You may hear the sound of the fan motor at that time.

To use this product for a long period of time

Energy Save maintains efficiency of the screen for a long period of time by decreasing picture brightness and lowering power consumption. Setting Energy Save to "Mode 1" is recommended for increased efficiency.

About the menu window size following video format switch

The video program that you watch may be high definition (HD) or standard definition (SD). This plasma display is designed to scale to each type of definition properly. If the video program's definition type changes while a menu window is displayed on the screen (for example: HD → SD or SD → HD), the menu size may temporarily shrink or enlarge until the scaling is completed. This may happen, for example, when you switch between television and an external digital video recorder (D-VHS), or when your recorded program switches between different definition types, while the on-screen menu is being shown.

If this happens, the menu will return to its normal size after two to three seconds. This action is normal, and does not indicate a problem with your plasma display.

Image Retention

When a static image is left frozen on a display for several hours, a faint imprint of the image, known as image retention, can remain. This image retention may be temporary or permanent. Although caused by different things, image retention can occur on all display technologies, including plasma and LCD. On today's plasma displays, permanent image retention is less of a worry. Most image retention can be improved simply by watching moving video.

Image retention, also known as burn-in, can occur in all phosphor-based display systems (including CRT television systems—both direct view and projection—as well as plasma displays). Displaying the same still images for long periods should be avoided as permanent image retention or burn-in may occur. Recommended guidelines are as follows:

Do not display static images for long periods (such as still images, fixed images from PC or TV game equipment, and/or fixed images such as time of day indicator or channel logo display).

Do not display content in the 4:3 aspect ratio (black or gray bars on left and right side of content) or letter-box content (black bars above and below content) for extended periods of time, or use either of these viewing modes repeatedly within a short period of time. This plasma display is equipped with multiple wide-screen viewing modes; use one of these screen modes to fill the entire screen with content.

Displaying dark images after displaying still images for a period of time may cause image retention. In most cases, the image retention can be corrected by displaying bright images for a similar period of time.

If you display still images on your plasma display for long periods of time, image retention may be irreparable.

Caution

Panel sticking and after-image lag

- Displaying the same images such as still images for a long time may cause after-image lagging. This may occur in the following two cases.

1 After-image lagging due to remaining electric load

When image patterns with very high peak luminance are displayed more than one minute, after-image lagging may occur due to the remaining electric load. The after-images remaining on the screen will disappear when moving images are displayed. The time for the after-images to disappear depends on the luminance of the still images and the time they had been displayed.

2 After-image (lag image) due to burning

Avoid displaying the same image on the plasma display continuously over a long period of time. If the same image is displayed continuously for several hours, or for shorter periods of time over several days, a permanent after-image may remain on the screen due to burning of the fluorescent materials. Such images may become less noticeable if moving images are later displayed, but they will not disappear completely.

Note

- When a program menu, TV Guide screen or frozen image is displayed for 5 to 10 minutes, the system automatically turns the image off to prevent damage from screen burning.
- To minimize image retention, the display position is automatically changed imperceptibly when watching plasma display. Some parts of the picture may not be visible (see *Orbiter* on page 69).

Minimizing damage from screen burning

- Set the Side Mask detection function to "On". The High Definition 16:9 aspect ratio images containing side masks will be detected automatically and side masks will be added or the image displayed in full screen.
- We recommend that you enjoy watching images displayed in full screen, except when doing so may result in copyright infringement. The use of images displayed in screen sizes different from the original video for financial gain or in broadcasting for public viewing may result in infringement of the legally enforceable rights of the copyright holder (see page 68).

Caution

DO NOT PLACE THIS PRODUCT ON AN UNSTABLE CART, STAND, TRIPOD, BRACKET, OR TABLE. THE PRODUCT MAY FALL, CAUSING SERIOUS PERSONAL INJURY AND SERIOUS DAMAGE TO THE PRODUCT. USE ONLY WITH A CART, STAND, TRIPOD, BRACKET, OR TABLE RECOMMENDED BY THE MANUFACTURER, OR SOLD WITH THE PRODUCT. FOLLOW THE MANUFACTURER'S INSTRUCTIONS WHEN INSTALLING THE PRODUCT AND USE MOUNTING ACCESSORIES RECOMMENDED BY THE MANUFACTURER.

A PRODUCT AND CART COMBINATION SHOULD BE MOVED WITH THE CARE. QUICK STOPS, EXCESSIVE FORCE, AND UNEVEN SURFACES MAY CAUSE THE PRODUCT AND CART COMBINATION TO OVERTURN.



Chapter 2

Safety Precautions

Electricity is used to perform many useful functions, but it can also cause personal injuries and property damage if improperly handled. This product has been engineered and manufactured with the highest priority on safety. However, improper use can result in electric shock and/or fire. In order to prevent potential danger, please observe the following instructions when installing, operating and cleaning the product. To ensure your safety and prolong the service life of your product, please read the following precautions carefully before using the product.

1. Read instructions—All operating instructions must be read and understood before the product is operated.
2. Keep this manual in a safe place—These safety and operating instructions must be kept in a safe place for future reference.
3. Observe warnings—All warnings on the product and in the instructions must be observed closely.
4. Follow instructions—All operating instructions must be followed.
5. Cleaning—Unplug the power cord from the AC outlet before cleaning the product. To clean the product, use the supplied cleaning cloth or other soft cloth (e.g., cotton, flannel). Do not use liquid cleaners or aerosol cleaners.
6. Attachments—Do not use attachments not recommended by the manufacturer. Use of inadequate attachments can result in accidents.
7. Water and moisture—Do not use the product near water, such as bathtub, washbasin, kitchen sink and laundry tub, swimming pool and in a wet basement.
8. Stand—Do not place the product on an unstable cart, stand, tripod or table. Placing the product on an unstable base can cause the product to fall, resulting in serious personal injuries as well as damage to the product. Use only a cart, stand, tripod, bracket or table recommended by the manufacturer or sold with the product. When mounting the product on a wall, be sure to follow the manufacturer's instructions. Use only the mounting hardware recommended by the manufacturer.
9. When relocating the product placed on a cart, it must be moved with utmost care. Sudden stops, excessive force and uneven floor surface can cause the product to fall from the cart.



10. Ventilation—The vents and other openings in the cabinet are designed for ventilation. Do not cover or block these vents and openings since insufficient ventilation can cause overheating and/or shorten the life of the product. Do not place the product on a bed, sofa, rug or other similar surface, since they can block ventilation openings. This product is not designed for built-in installation; do not place the product in an enclosed place such as a bookcase or rack, unless proper ventilation is provided or the manufacturer's instructions are followed.
11. Power source—This product must operate on a power source specified on the specification label. If you are not sure of the type of power supply used in your home, consult your dealer or local power company.
12. Power cord protection—The power cords must be routed properly to prevent people from stepping on them or objects from resting on them. Check the cords at the plugs and product.
13. The plasma display used in this product is made of glass. Therefore, it can break when the product is dropped or applied with impact. Be careful not to be injured by broken glass pieces in case the plasma display breaks.
14. Overloading—Do not overload AC outlets or extension cords. Overloading can cause fire or electric shock.
15. Entering of objects and liquids—Never insert an object into the product through vents or openings. High voltage flows in the product, and inserting an object can cause electric shock and/or short internal parts. For the same reason, do not spill water or liquid on the product.
16. Servicing—Do not attempt to service the product yourself. Removing covers can expose you to high voltage and other dangerous conditions. Request a qualified service person to perform servicing.
17. Repair—If any of the following conditions occurs, unplug the power cord from the AC outlet, and request a qualified service person to perform repairs.
 - a. When the power cord or plug is damaged.
 - b. When a liquid was spilled on the product or when objects have fallen into the product.
 - c. When the product has been exposed to rain or water.
 - d. When the product has been dropped or damaged.
 - e. When the product displays an abnormal condition. Any noticeable abnormality in the product indicates that the product needs servicing.
18. Replacement parts—In case the product needs replacement parts, make sure that the service person uses replacement parts specified by the manufacturer, or those with the same characteristics and performance as the original parts. Use of unauthorized parts can result in fire, electric shock and/or other danger.
19. Safety checks—Upon completion of service or repair work, request the service technician to perform safety checks to ensure that the product is in proper operating condition.
20. Wall or ceiling mounting—When mounting the product on a wall or ceiling, be sure to install the product according to the method recommended by the manufacturer.
21. Heat sources—Keep the product away from heat sources such as radiators, heaters, stoves and other heat-generating products (including amplifiers).
22. Unplug the power cord from the AC outlet before installing the speakers.
23. Never expose the screen of the plasma display to a strong impact, for example, by hitting it. The screen may be broken, resulting in fire or personal injury.
24. Do not expose the plasma display to direct sunlight for a long period of time. The optical characteristics of the front protection panel changes, resulting in discoloration or warp.
25. The plasma display weighs about 66.2 kg (145.9 lbs.) for the PDP-6010FD (including the stand and speaker) and about 44.0 kg (97 lbs.) for the PDP-5010FD (including the stand and speaker). Because it has small depth and is unstable, unpack, carry, and install the product with one more person at least and use the handles.

Installation Precautions

Observe the following precautions when installing with any items such as the optional bracket.

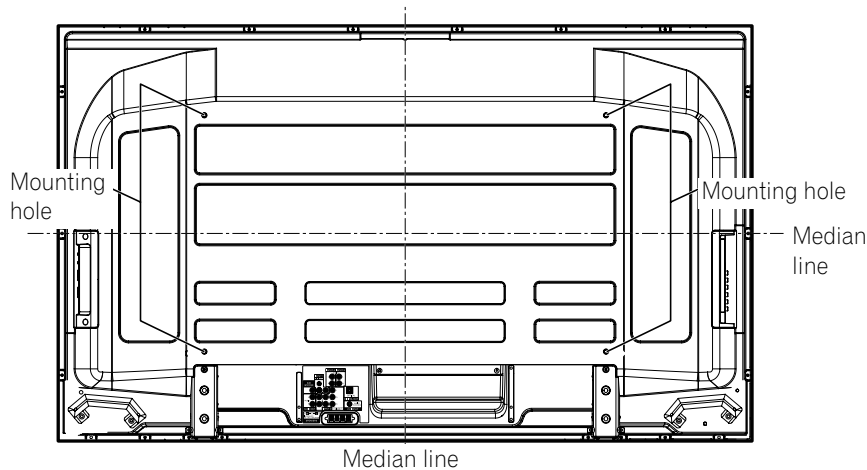
When using the optional brackets or equivalent items

- Ask your dealer to perform the installation.
- Be sure to use the supplied bolts.
- For details, see the instruction manual that comes with the optional bracket (or equivalent items).

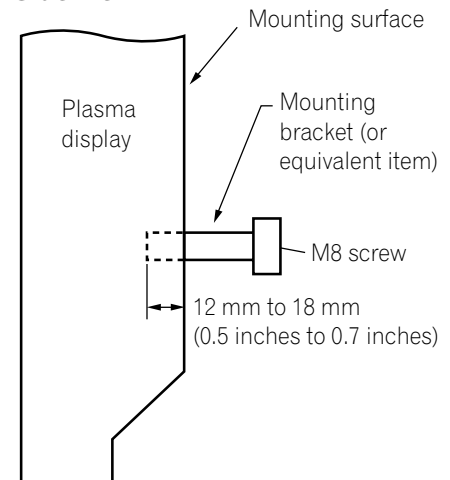
When using other items

- Consult your dealer.
- The following mounting holes can be used for the installation:

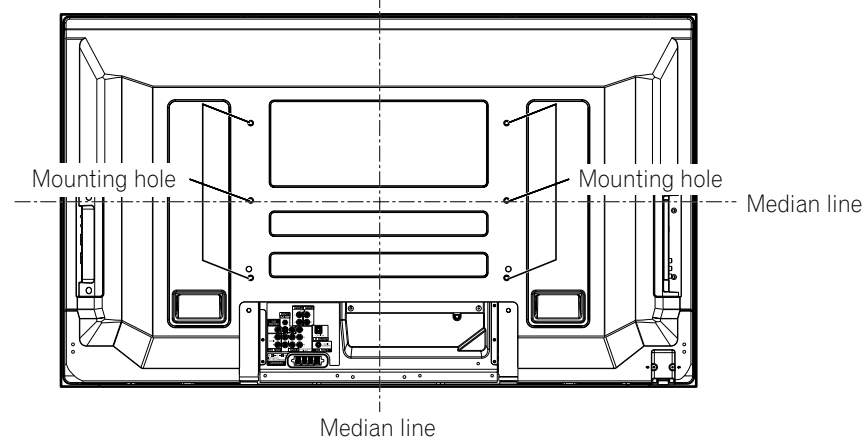
Rear view (PDP-6010FD)



Side view



Rear view (PDP-5010FD)



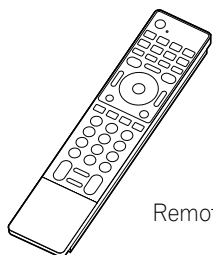
⚠ Caution

- Be sure to use four or more mounting holes symmetrical to the vertical and horizontal median lines.
- Use M8 screws, which go 12 mm to 18 mm (0.5 inches to 0.7 inches) in depth from the mounting surface of the plasma display. See the side view above.
- Be careful not to block the ventilation opening at the rear of the plasma display.
- Be sure to install the plasma display on a flat surface because it contains glass.
- The screw holes other than the above are to be used only for the specified products. Never use them for mounting non-specified products.

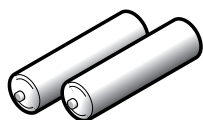
📝 Note

- It is strongly recommended to use the optional Pioneer mounting products.
- Pioneer shall not be liable for any personal injury or product damage that results from the use of mounting items other than the optional Pioneer products.

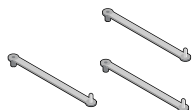
Chapter 3 Supplied Accessories



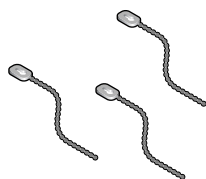
Remote control unit



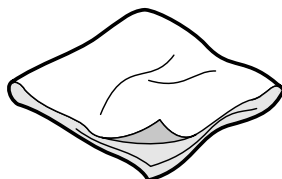
AA size battery x 2
(Alkaline battery for remote control unit)



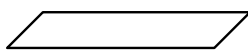
Speed clamp x 3



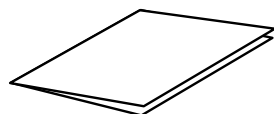
Bead band x 3



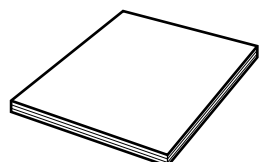
Cleaning cloth



Terminal position sheet
(for use when mounting the plasma display on the wall)
(PDP-6010FD only)



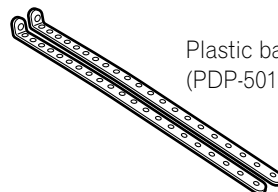
Warranty card



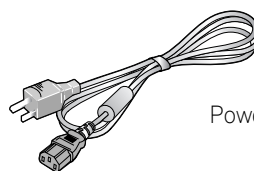
Operating instructions



Screw (M4 x 10 mm) x 2
(for plastic bands)
(PDP-5010FD only)

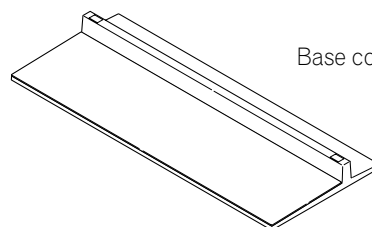


Plastic band x 2
(PDP-5010FD only)

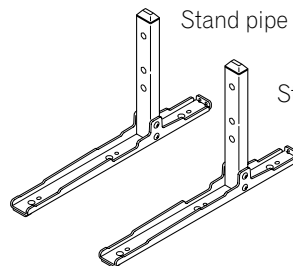


Power cord (2 m/6.6 feet)

Stand accessories (PDP-6010FD only)



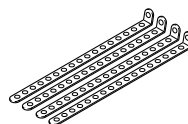
Base cover x 1



Stand pipe (L) x 1

Stand pipe (R) x 1

Plastic band x 4



Screw ①
(M5 x 10 mm: black) x 6



Screw ②
(M6 x 20 mm: black) x 4

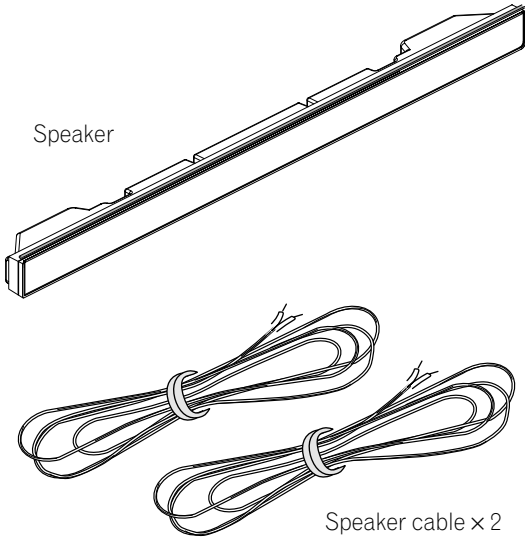


Screw ③
(for plastic bands)
(M4 x 10 mm: black) x 4

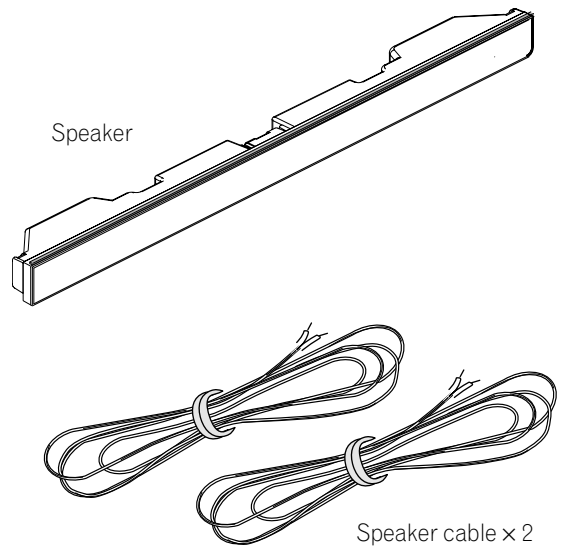


Speaker accessories

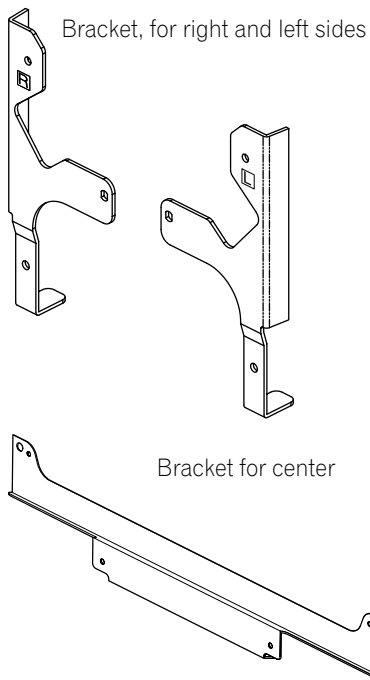
(PDP-6010FD)



(PDP-5010FD)



Speaker Mounting Fittings

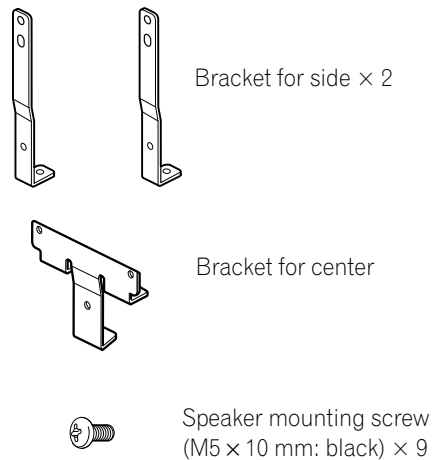


Speaker mounting screw
(M5 x 10 mm : black) x 10

Hexagonal wrench
(Opposite side 4 mm for M5 use) x 1



Speaker Mounting Fittings

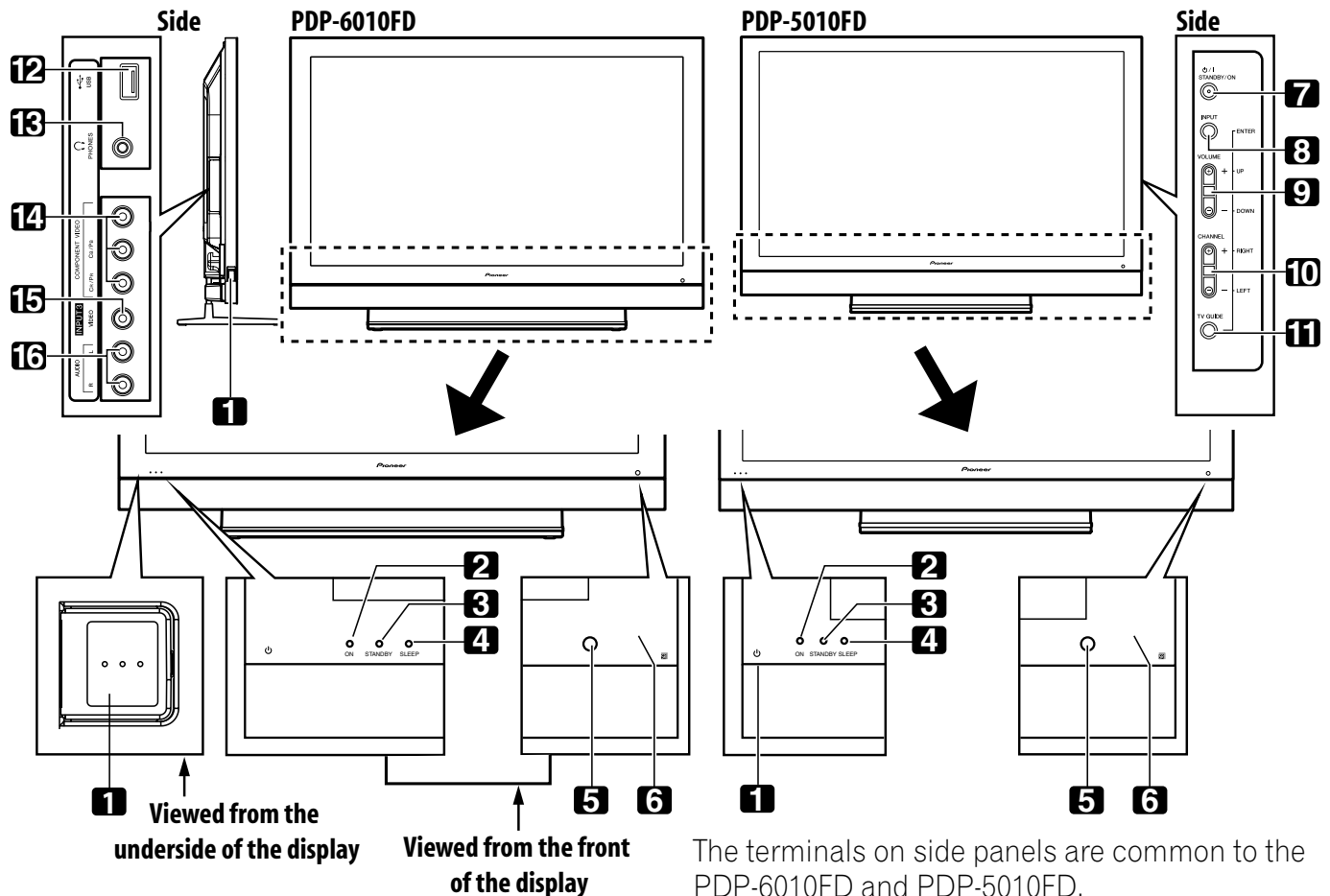


Chapter 4

Part Names

Plasma display

(Front)



The terminals on side panels are common to the PDP-6010FD and PDP-5010FD.

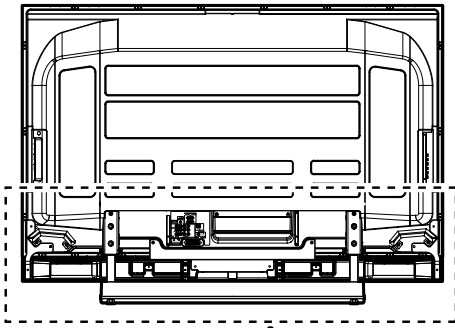
- 1 button (This button is located on the bottom of the side panel of the plasma display for the PDP-6010FD and at the bottom on the rear panel for the PDP-5010FD. (See **1** on page 15.) If the button is off, the power will not turn on even when **TV** on the remote control unit or **STANDBY/ON** on the plasma display is pressed. To turn on the power, press (for PDP-5010FD) or slide up (for PDP-6010FD)).
- 2 POWER ON indicator (See page 33.)
- 3 STANDBY indicator (See page 33.)
- 4 SLEEP indicator
- 5 Room Light Sensor
- 6 Remote control sensor
- 7 **STANDBY/ON** button

- 8 **INPUT** button (**ENTER** button*)
- 9 **VOLUME UP/DOWN** buttons (**UP/DOWN** buttons*)
- 10 **CHANNEL UP/DOWN** buttons (**LEFT/RIGHT** buttons*)
- 11 **TV GUIDE** button*
- 12 USB port
- 13 PHONES output terminal
- 14 INPUT 3 terminals (COMPONENT VIDEO: Y, P_B, P_R)
- 15 INPUT 3 terminal (VIDEO)
- 16 INPUT 3 terminals (AUDIO)

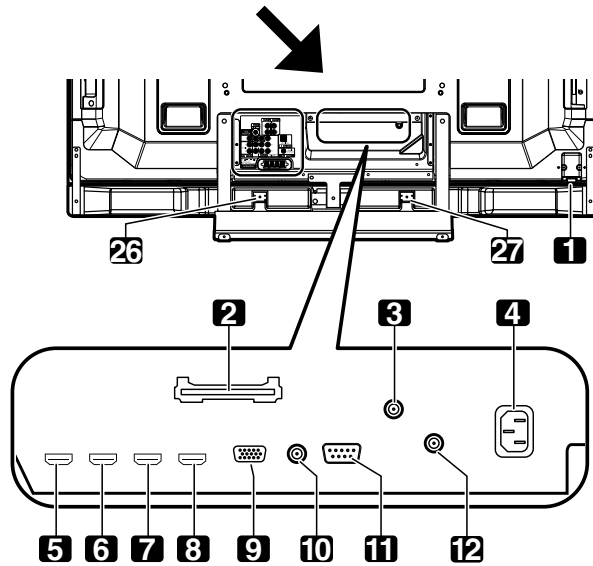
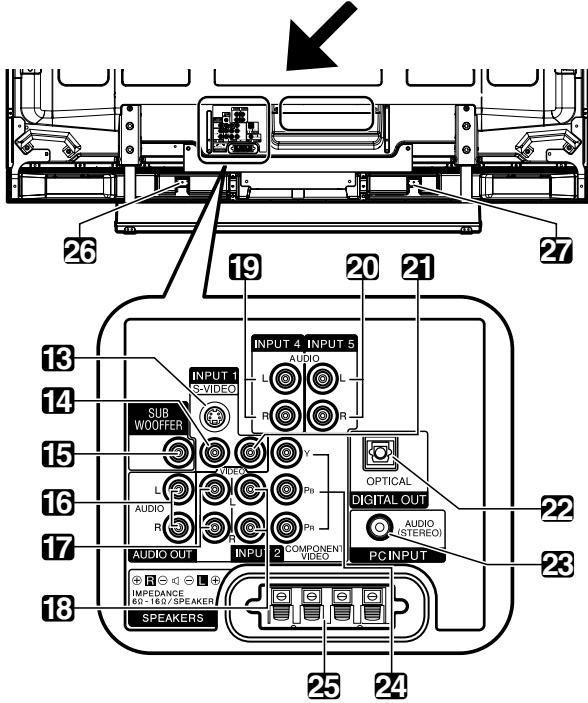
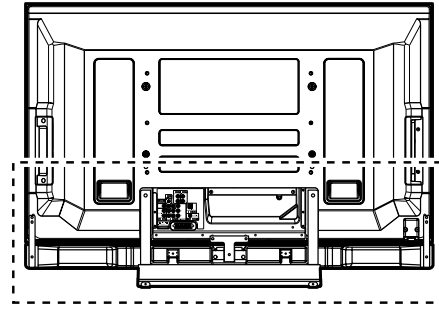
The buttons with asterisks (*) can operate the TV Guide On Screen™ system.

(Rear)

PDP-6010FD



PDP-5010FD



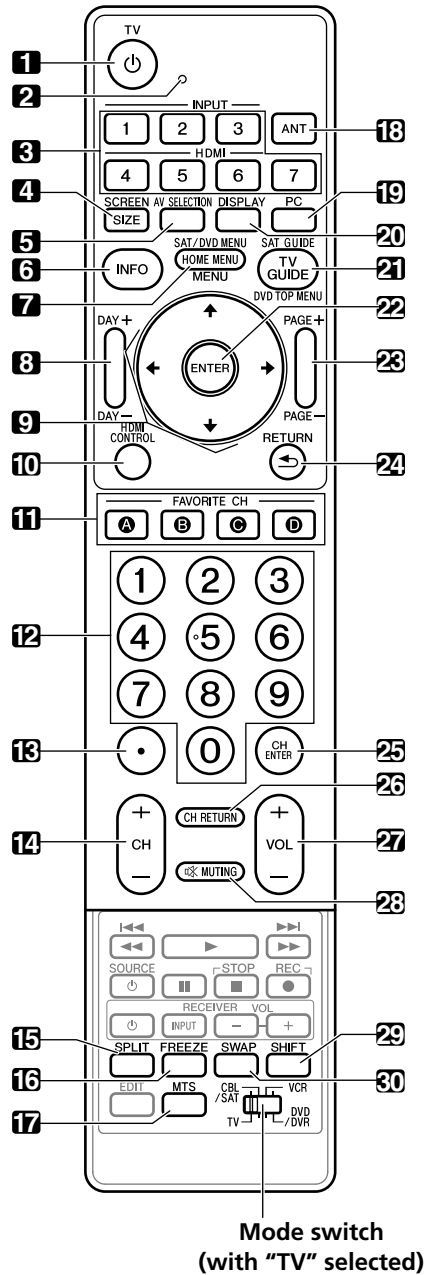
*For exact terminal positions, refer to the terminal position sheet located near the terminal compartment.

The terminals on the rear panel are common to the PDP-6010FD and PDP-5010FD.

- 1 button
- 2 CableCARD™ slot
- 3 ANT/CABLE A IN terminal
- 4 AC IN terminal
- 5 INPUT 4 terminal (HDMI)
- 6 INPUT 5 terminal (HDMI)
- 7 INPUT 6 terminal (HDMI)
- 8 INPUT 7 terminal (HDMI)
- 9 PC INPUT terminal (ANALOG RGB)
- 10 CONTROL OUT terminal
- 11 RS-232C terminal (used for factory setup)
- 12 ANT B IN terminal
- 13 INPUT 1 terminal (S-VIDEO)
- 14 INPUT 1 terminal (VIDEO)
- 15 SUB WOOFER terminal
- 16 AUDIO OUT terminals (AUDIO)
- 17 INPUT 1 terminals (AUDIO)
- 18 INPUT 2 terminals (AUDIO)
- 19 INPUT 4 terminals (AUDIO)
- 20 INPUT 5 terminals (AUDIO)
- 21 INPUT 2 terminal (VIDEO)
- 22 DIGITAL OUT terminal (OPTICAL)
- 23 PC INPUT terminal (AUDIO)
- 24 INPUT 2 terminals (COMPONENT VIDEO: Y, Pb, Pr)
- 25 SPEAKERS (R/L) terminals
- 26 SPEAKERS (R) terminal (Speaker side)
- 27 SPEAKERS (L) terminal (Speaker side)

Remote control unit

This section describes the functions of the buttons available when the mode switch has been set to TV. For the buttons for controlling other equipment, see *Using the remote control unit to control other devices* starting from page 89.



- 1 **TV** : Turns on the power to the plasma display or places it into standby mode.
- 2 Transmission confirmation LED
- 3 **INPUT**: Selects an input source of the plasma display. ("INPUT 1", "INPUT 2", "INPUT 3", "INPUT 4", "INPUT 5", "INPUT 6" and "INPUT 7")
- 4 **SCREEN SIZE**: Selects the screen size.
- 5 **AV SELECTION**: Selects audio and video settings. (AV source: OPTIMUM, STANDARD, DYNAMIC, MOVIE, GAME, USER. PC source: STANDARD, USER.)
- 6 **INFO**: Displays a channel banner when a TV program is being watched.
When the TV Guide On Screen™ system is in operation, displays information about the currently highlighted channel (if available).
- 7 **HOME MENU**: Displays the HOME MENU screen.
MENU: Displays a panel menu when the TV Guide On Screen™ system is in operation.
- 8 **DAY +/-**: Jumps to the next or previous day of program listings in the TV Guide On Screen™ Listing service.
- 9 **↑/↓/←/→**: Selects a desired item on the menu screen.
- 10 **HDMI CONTROL**: Displays the HDMI Control menu.
- 11 **FAVORITE CH (A, B, C, D)**:
Selects any of the four preset channels. See page 49 for details to set the FAVORITE CH.
While watching, you can toggle the set channels by pressing **A, B, C** and **D**.
- 12 **0 to 9**: Selects the channel.
- 13 **•(dot)**: Enters a dot.
- 14 **CH +/-**: Selects the channel.
- 15 **SPLIT**: Switches the screen mode among 2-screen, picture-in-picture, and single-screen.
- 16 **FREEZE**: Freezes a frame from a moving image. Press again to cancel the function.
- 17 **MTS**: Selects MTS/SAP or language depending on the program being watched.
- 18 **ANT**: Selects the antenna (A, B). See page 30 for details.
- 19 **PC**: Selects the PC terminal as an input source.
- 20 **DISPLAY**: Displays the channel information.
- 21 **TV GUIDE**: Displays the TV Guide On Screen™ system.
- 22 **ENTER**: Executes a command.
- 23 **PAGE +/-** (for the TV Guide On Screen™ system): Scrolls the program listing screen vertically.
- 24 **RETURN**: Returns to the previous menu screen.
- 25 **CH ENTER**: Executes a channel number.
- 26 **CH RETURN**: Returns to the previous channel. This button is disabled while the TV Guide On Screen™ system is displayed.
- 27 **VOL +/-**: Sets the volume.
- 28 **MUTING**: Mutes the sound.
- 29 **SHIFT**: Moves the location of the small screen when in the picture-in-picture mode.
- 30 **SWAP**: Switches between the two screens when in the 2-screen or picture-in-picture mode.

Luminous remote control buttons

All buttons on the remote control unit are luminous and gather and store light. This enables quick access to the desired function when performing operations in dark places.

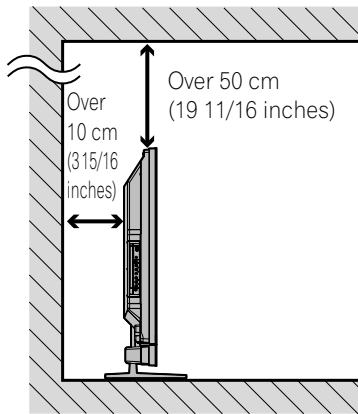
Note

- When using the remote control unit, point it at the plasma display.
- See pages 83 to 92 for operating buttons not listed on this page.

Chapter 5

Preparation

Installing the plasma display

**Location**

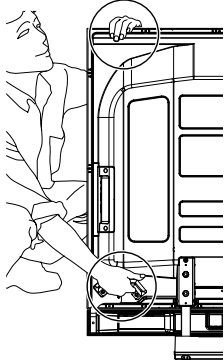
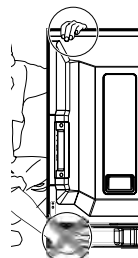
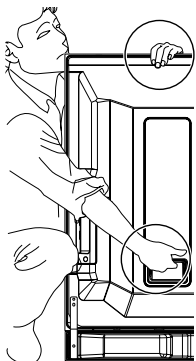
- Avoid direct sunlight. Maintain adequate ventilation.

Note

- Allow enough space around the upper and back parts when installing to ensure adequate ventilation of the rear of the unit.

Moving the plasma display

Because the plasma display is heavy, be sure to have someone help you when moving it.

(PDP-6010FD)**(PDP-5010FD)****Caution**

When installing on a rack, etc., hold the plasma display.

Attaching the Pioneer stand

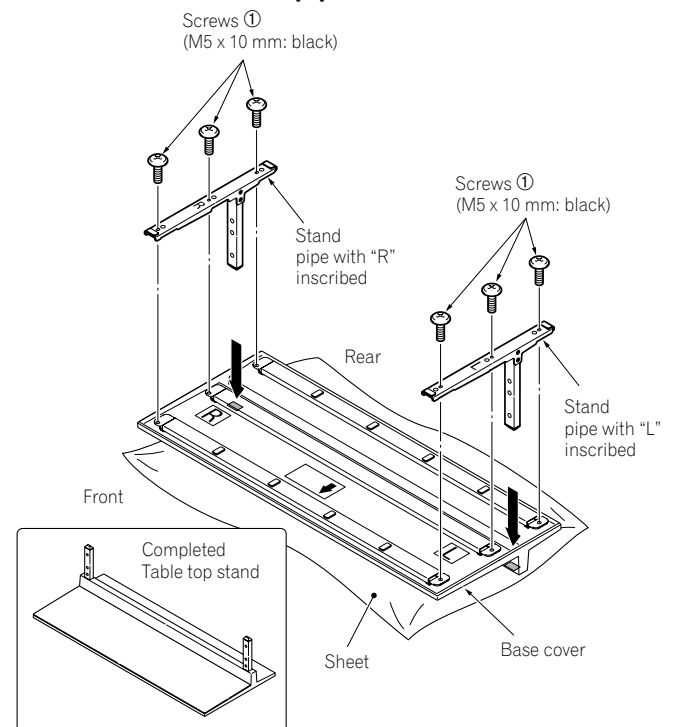
The plasma display comes with the Pioneer table top stand. You can also install the display on a rack by detaching the stand. The method for attaching/detaching the stand varies depending on the product.

Caution

- This product can be used only with the attached stand. Using other stands can result in instability, possibly causing injury.
- The weight of a 60 inch plasma display is about 55.5 kg (122.4 lbs.) and a 50 inch about 38.5 kg (84.9 lbs.), it has no depth, and is unstable. Therefore, at least two people must assemble and install it.

Assembling the stand (PDP-6010FD only)

- 1 Turn the base cover over so the underside is facing up.
- 2 Insert the stand pipes into the base cover. Insert stand pipe (R) into the side marked "R" and stand pipe (L) into the side marked "L".
- 3 Tighten the screws ① (M5 x 10 mm: black) to stabilize the stand pipes.



Note

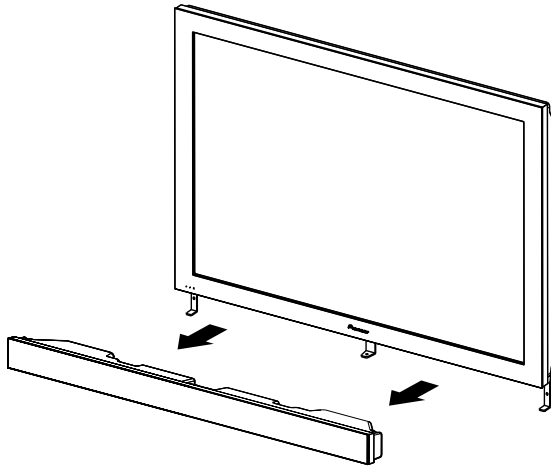
- Assemble the stand with a soft sheet placed under the base cover. If a sheet is not laid before assembly, the front surface of the base cover may be scratched.
- Please take care when installing stand pipes (L) and (R) to ensure that they are in the correct positions. Mistakenly installing the stand pipes may damage the stand.

Attaching the stand

- When the plasma display is mounted without the supplied speaker, begin with step 2.
- Besides the speaker, steps for attaching the stand are the same for PDP-6010FD and PDP-5010FD (use the screw holes with "T" inscribed).

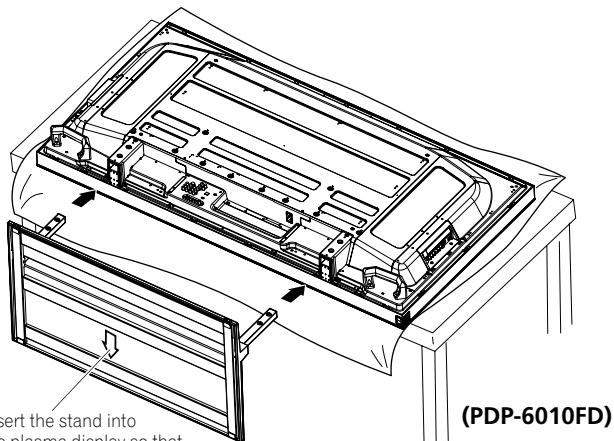
1 Detach the supplied speaker when the plasma display is being mounted on the wall, with the speaker attached.

- To detach the speaker, remove the cable wiring for the speaker at the rear and screws at the bottom of the speaker and pull it out (see illustrations on page 22 for PDP-6010FD and on page 26 for PDP-5010FD).



2 With the plasma display lying flat, fit the stand's support columns to the bottom of the plasma display as indicated by the arrows, then slowly insert them.

- Be extremely careful not to insert the support columns of the stand into any part of the plasma display other than the stand insertion slots. Doing so might damage the plasma display panel or its ports or result in warping of the stand.



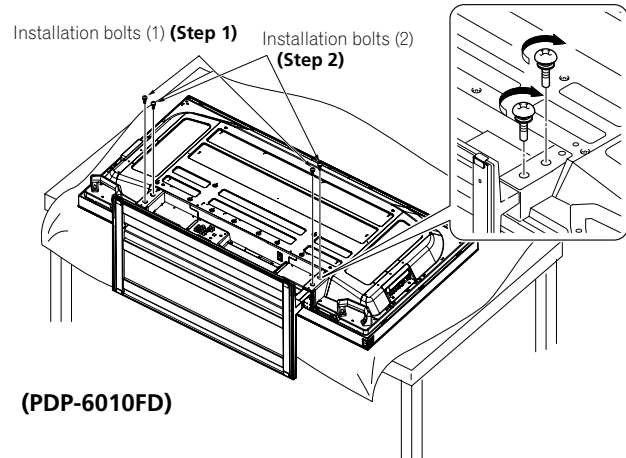
Insert the stand into the plasma display so that an arrow with "FRONT/FACE AVANT" mark inscribed at the bottom of the stand indicates downward.

(PDP-6010FD)

3 Attach the stand at the points indicated by the arrows and tighten the installation bolts (2) and (1) firmly using a screwdriver.

Installation bolt (1): M8 x 23 mm (black) for PDP-5010FD
M6 x 20 mm (black) for PDP-6010FD

Installation bolt (2): M8 x 40 mm (black) for PDP-5010FD
M6 x 20 mm (black) for PDP-6010FD



(PDP-6010FD)

4 Replace the plasma display to stand upright. For speaker installation, see "Installing the Pioneer speaker".

Note

- Be sure to install the plasma display in a flat, stable location.
- Insert the screws into the holes vertically and tighten them.
- Place a sheet or protective cover to protect the display from scratches or damage.
- Work only with the plasma display lying flat on a table or similar surface.
- When lying the plasma display down, be careful not to scratch or damage it.

Installing the Pioneer speaker

Caution

- If you want to move the plasma display unit, make sure that you remove the speaker first. In addition, do not move the display holding on to the mounting fittings. This can result in injury or damage to the unit.

About the speaker

- In order to prevent damage to the speaker system resulting from input overload, please observe the following precautions:
- Do not use the speaker with anything other than the plasma display. Doing so may result in damage or fire.
- Be sure to turn the connected devices off and remove the power cord from the power outlet beforehand when changing the connection or installation method.
- When using a tone control function to greatly emphasize treble sounds, do not use excessive amplifier volume.
- Please handle the speaker with sufficient care, as the grille net and the cabinet can become damaged or broken when they are subjected to strong external impacts.
- Placing a CRT computer screen or CRT monitor near to the speaker may result in interference or color distortion. If this happens, distance the monitor from the speaker.

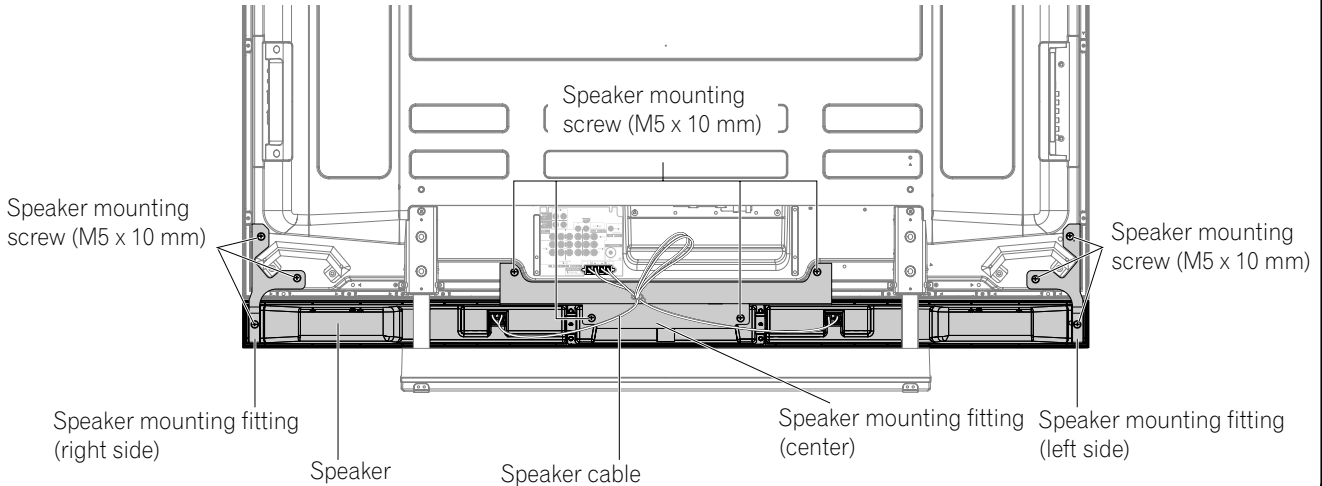
Preparation

Installation

- The speaker is wide, and may become unstable when installed by a one person alone. This may result in injury or product damage. Therefore, at least two people must assemble and install it.

- When installing the speaker, do not use any screws other than those supplied, otherwise the speaker may come off from the main unit and fall over.
- When installing the speaker, tighten the screws firmly.

PDP-6010FD with the speaker installed (with the Pioneer table top stand)

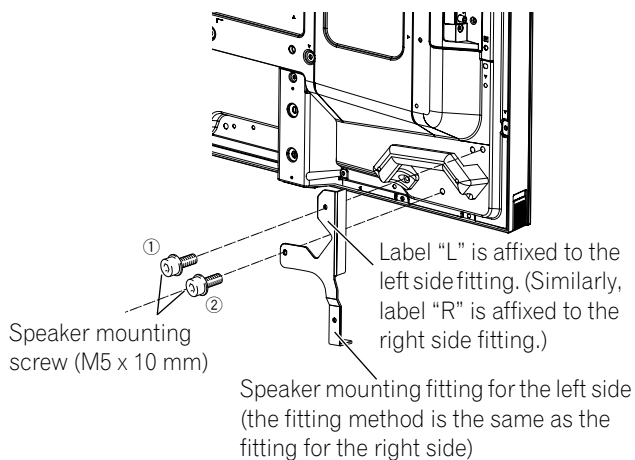


Note

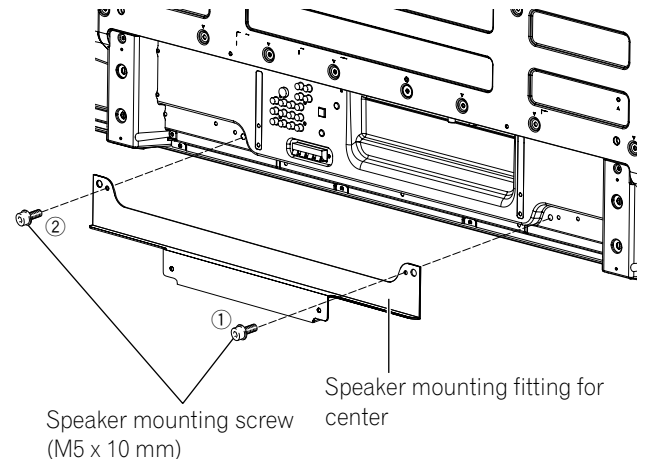
- Before attaching the speaker, please attach the table top stand to the plasma display unit.

1 Attach the speaker mounting fittings to the rear of the plasma display.

- Attach the fittings for right and left sides to the bottom right and left on the rear panel of the plasma display using the supplied screws.
- Finger tighten the two screws in the order ① followed by ②.



- Attach the center fitting to the lower center on the rear panel of the plasma display using the two supplied screws.
- Tighten the two screws in the order ①, ② as shown in the drawing.
- When fitting the screws, place screws ① and ② through the holes in the center fitting.



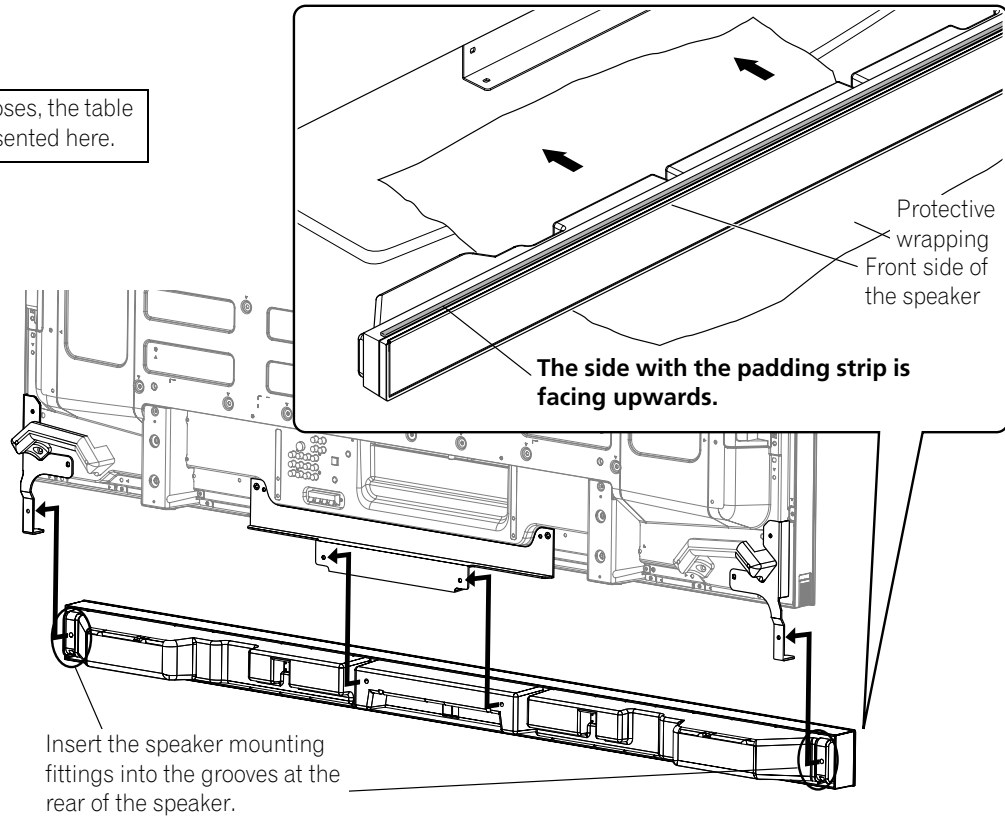
Note

- See page 22 for speaker mounting procedures when using the hung on wall unit.

2 Fit the speaker to the mounting fittings in the correct direction.

- Be sure not to mount the speaker upside down.

For illustrative purposes, the table top stand is not presented here.

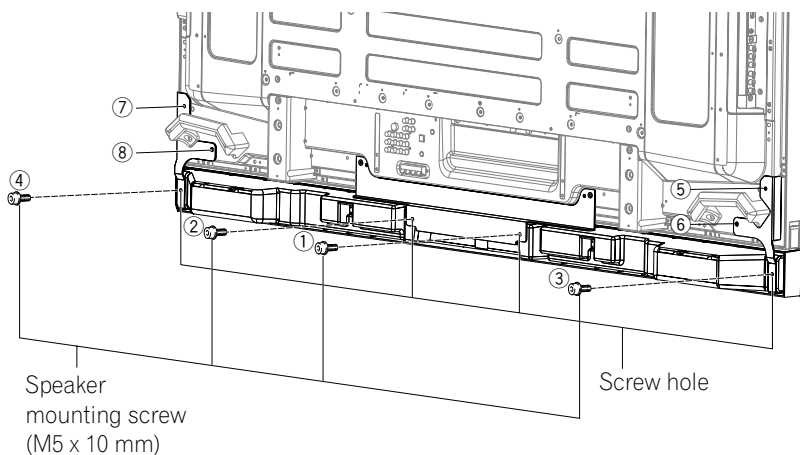


⚠ Caution

- To avoid any damage to the speaker and/or table top stand from striking against each other, fit the speaker to the mounting fittings while confirming their locations. As you may easily strike the stand, use the protective wrapping in which the speaker was wrapped between the speaker and stand.
- When the speaker mounting fittings do not fit the grooves at the rear of the speaker, adjust the speaker mounting fittings angle.

3 Fix the speaker mounting fittings and the speaker with the supplied screws.

- Fix the center part of the speaker first with the supplied screws, then fix the right and left sides alike.
- Tighten the four screws in the order ①, ②, ③, ④ as shown in the drawing.



⚠ Caution

- If you want to move the plasma display unit, make sure that you remove the speaker first. In addition, do not move the display holding on to the mounting fittings. This can result in injury or damage to the unit.

The screw hole at the bottom surface of the speaker mounting fitting is used when the plasma display is installed on the wall. It is not used when installed with the stand.

✎ Note

- If after attaching the speaker its position needs to be adjusted horizontally or vertically, first loosen the speaker mounting screws, reposition and then tighten the screws again at the appropriate position.

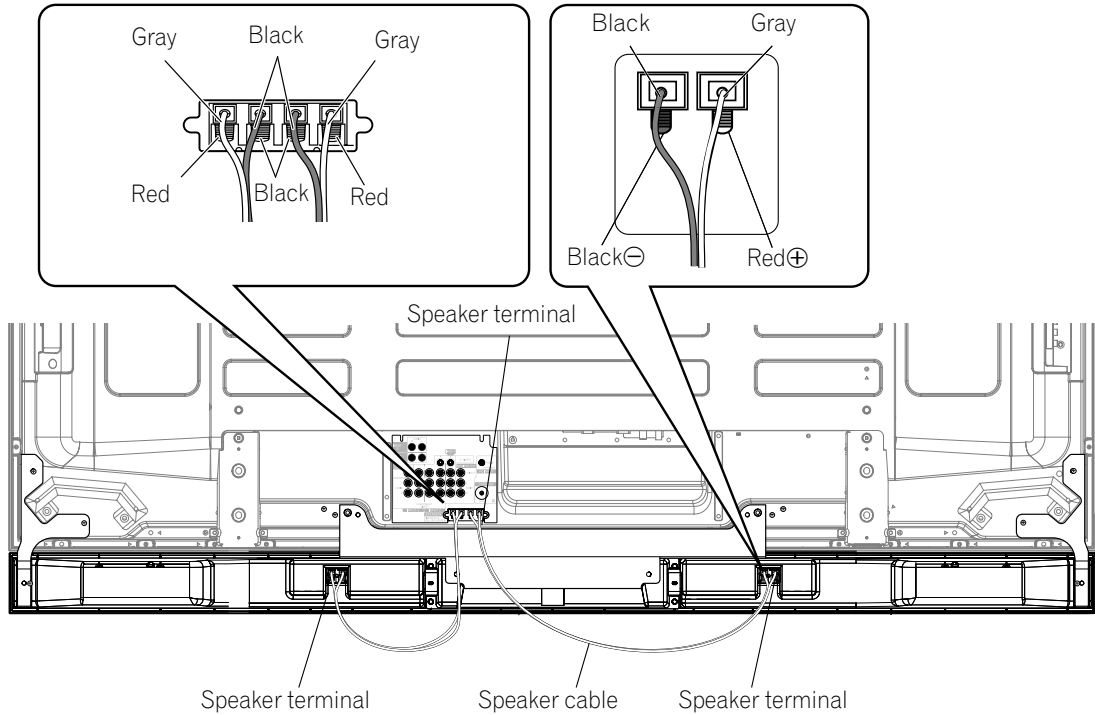
4 Tighten the four screws in the above drawing ⑤, ⑥, ⑦, ⑧ snugly.

5 Connect the supplied speaker cables to the back of plasma display.

Connect the cables correctly with respect to the polarity of the plasma display and the speaker terminals, that is, ⊕ cable to ⊕ terminals and ⊖ cable to ⊖ terminals. To do so, connect the gray cable to the ⊕ terminals and the white cable to the ⊖ terminals.

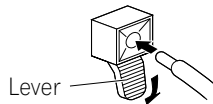
6 Connect the other end of the speaker cables to the speaker.

Connect the cables correctly with respect to the polarity of the plasma display and the speaker terminals, that is, ⊕ cable to ⊕ terminals and ⊖ cable to ⊖ terminals. To do so, connect the gray cable to the ⊕ terminals and the white cable to the ⊖ terminals.



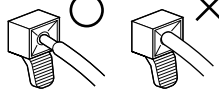
Note

- Press the lever and insert the end of the cable.
- When you release the lever, it clamps onto the speaker cable.



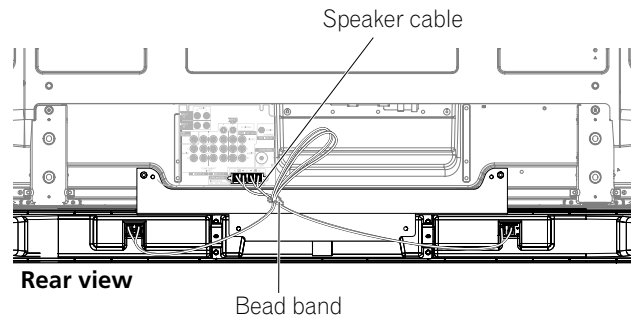
Caution

- Be sure to turn the connected devices off and remove the power cord from the wall outlet beforehand when changing the connection or installation method.
- If you insert the speaker cable too far so that the insulation is touching the speaker terminal, you may not get any sound. Please insert it with showing the copper wire.
- Check if the end of the speaker cables are securely connected to the terminals by slightly tugging on the cable after making connections. Loose connections may result in sound dropouts or noise.
- If there is a short in the ⊕ and ⊖ cables caused by an exposed lead wire, excessive load may be applied to the plasma display, resulting in interrupted operation or malfunction.
- Incorrect connections of the speaker cable to the right or left of the plasma display terminals with respect to the polarity may result in insufficient stereo sound effects, delivering poor bass sounds or unstable sound image.
- Bundle the cord without pulling the cord.



7 Bundle the cables.

- Bead bands are included with the plasma display.
- Use the bead bands as necessary.
- When tidying up your speaker cables, make sure to bundle them so that they are not subjected to any pressure.



When using the hung on wall unit (PDP-6010FD)

Note

- First lay the plasma display on top of a soft sheet etc., remove the stand, then attach the speaker mounting fittings.
- Install the plasma display on the wall with only the speaker mounting fittings and speaker cable attached to the display, and then attach the speaker. (See page 19)
- To facilitate attachment of wiring, it is recommended to complete the wiring on the sides of the plasma display before mounting speaker to the display.

Caution

- Be careful about the speaker mounting fittings when installing or connecting. This may result in injury.

1 Connect the supplied speaker cables to the back of the plasma display.

2 Place the plasma display on the mounting fittings of the hung on wall unit.

For details, refer to the instruction manual supplied with the hung on wall unit.

3 Connect the other end of the speaker cables to the speaker.

4 Place the speaker on the speaker mounting fittings in the correct direction.

5 Tighten using the supplied screws (four locations).

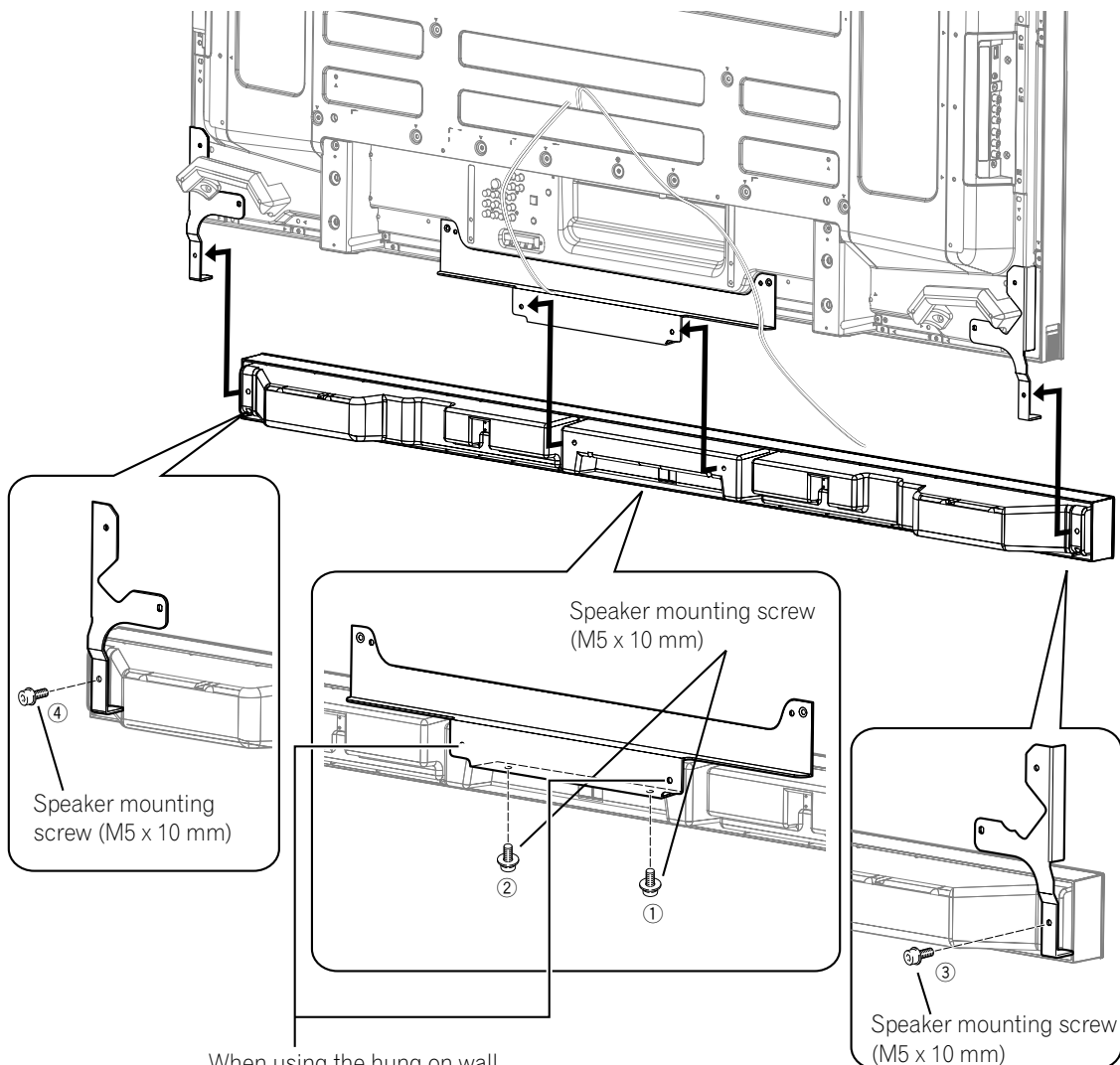
- Tighten the four screws in order ①, ②, ③, ④ as shown in the drawing.
The screw hole at the rear surface of the speaker mounting fitting is used when the plasma display is installed with the table top stand. It is not used when installed on the wall.

Note

- If after attaching the speaker its position needs to be adjusted horizontally, first loosen the speaker mounting screws, reposition and then tighten the screws again at the appropriate position.

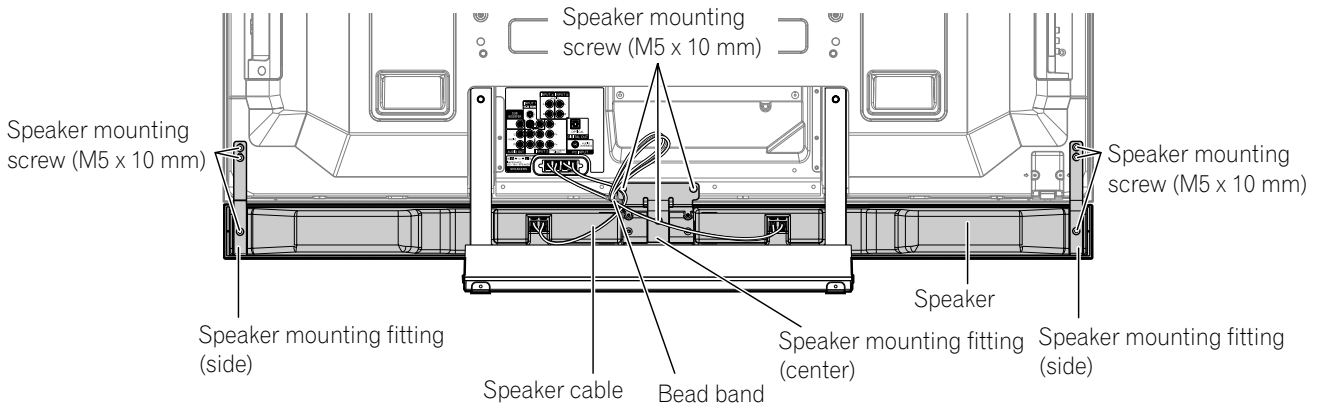
6 Bundle the cables.

- Bead bands are included with the plasma display.
- Use the bead bands as necessary.
- When tidying up your speaker cables, make sure to bundle them so that they are not subjected to any pressure.



When using the hung on wall unit, do not use these holes.

**PDP-5010FD with the speaker installed
(with the Pioneer table top stand)**

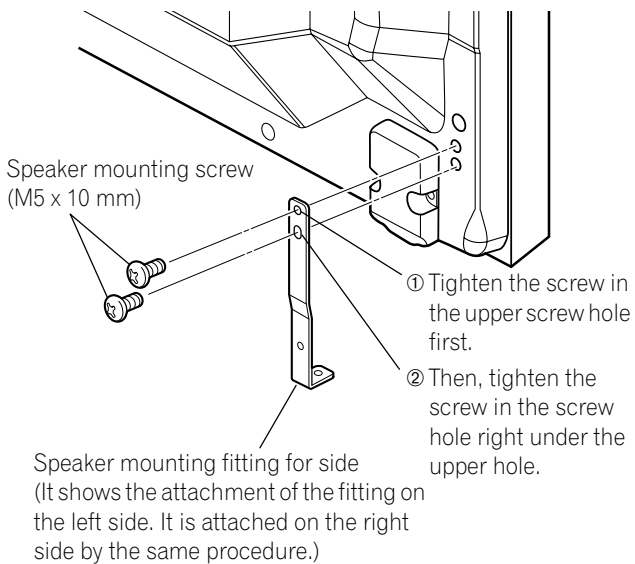


Note

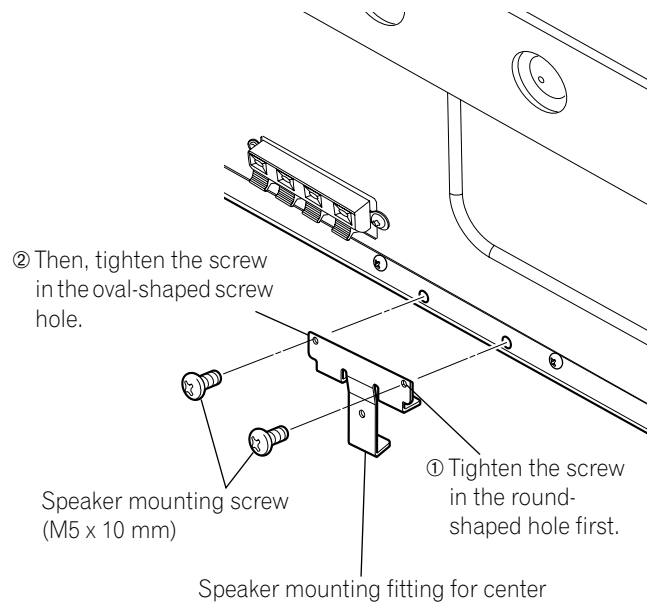
- Before installing the speaker, make sure that the Pioneer table top stand is attached to the plasma display.

1 Attach the speaker mounting fittings to the rear of the plasma display.

- Attach the fittings for right and left sides to the bottom right and left on the rear panel of the plasma display using the supplied screws.

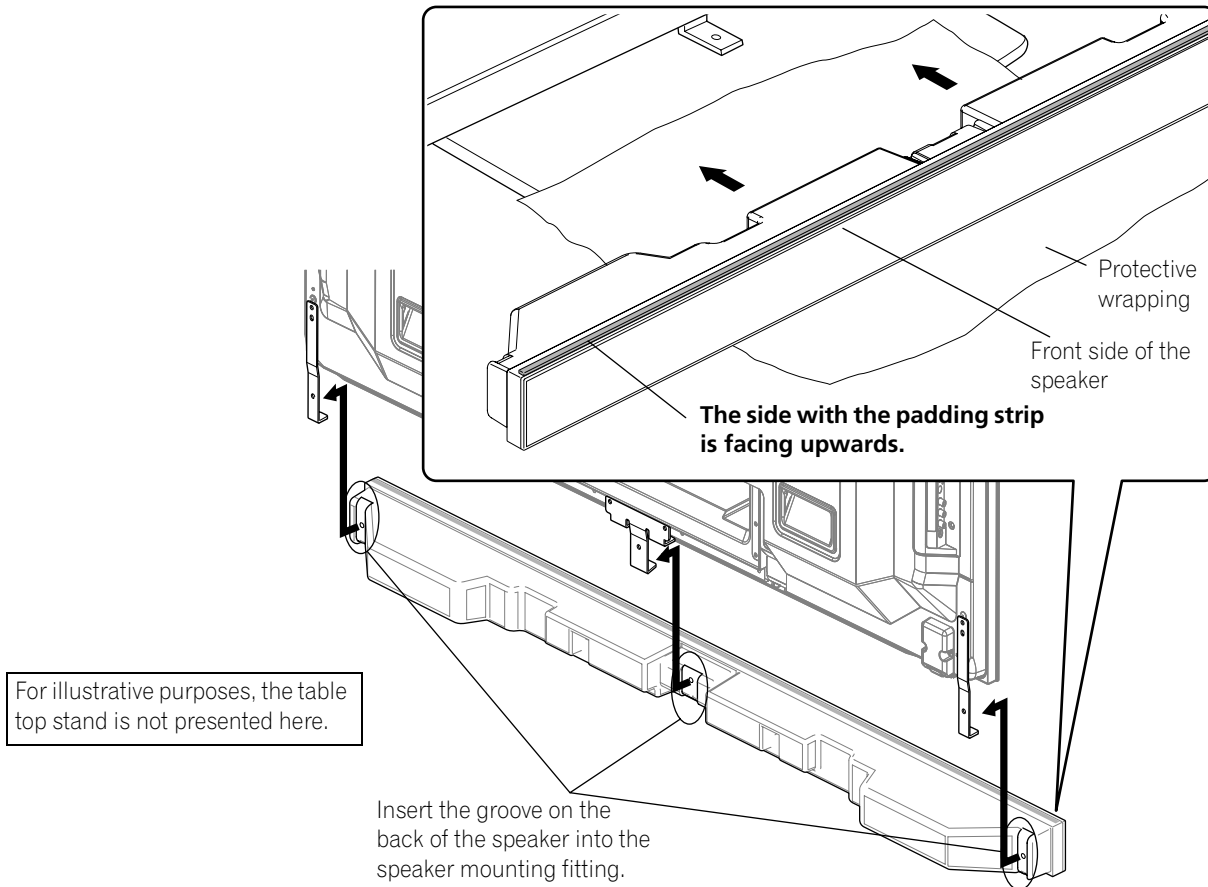


- Attach the fitting for center to the lower center on the rear panel of the plasma display using the two supplied screws.



2 Fit the speaker to the mounting fittings in the correct direction.

- Be sure not to mount the speaker upside down.

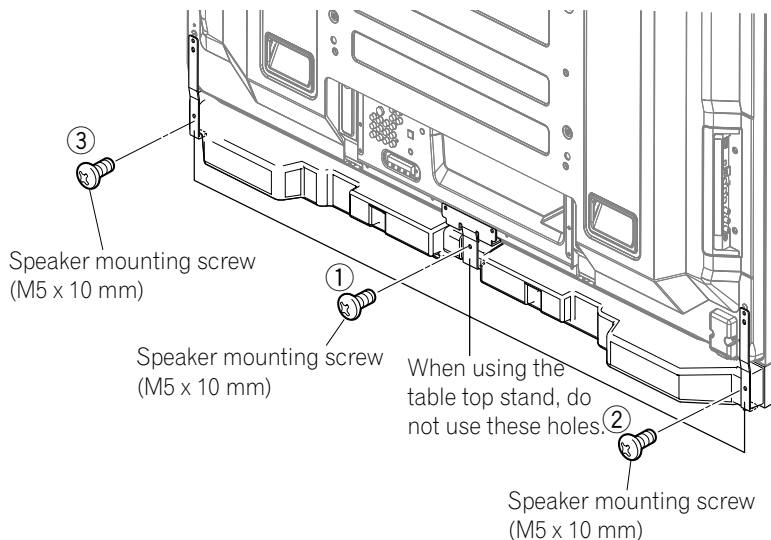


Caution

- To avoid any damage to the speaker and/or table top stand from striking against each other, fit the speaker to the mounting fittings while confirming their locations. As you may easily strike the stand, use the protective wrapping in which the speaker was wrapped between the speaker and stand.
- When the speaker mounting fittings do not fit the grooves at the rear of the speaker, adjust the speaker mounting fittings angle.

3 Tighten from back using the supplied screws (three locations).

Tighten the three screws in order ①, ②, ③ as shown in the drawing.



Caution

- If you want to move the plasma display, make sure that you remove the speaker first. In addition, do not move the plasma display holding on to the mounting fittings. This can result in injury or damage to the unit.

The screw hole at the bottom of the speaker mounting fitting is used when the plasma display is installed on the wall. It is not used when installed with the stand.

Note

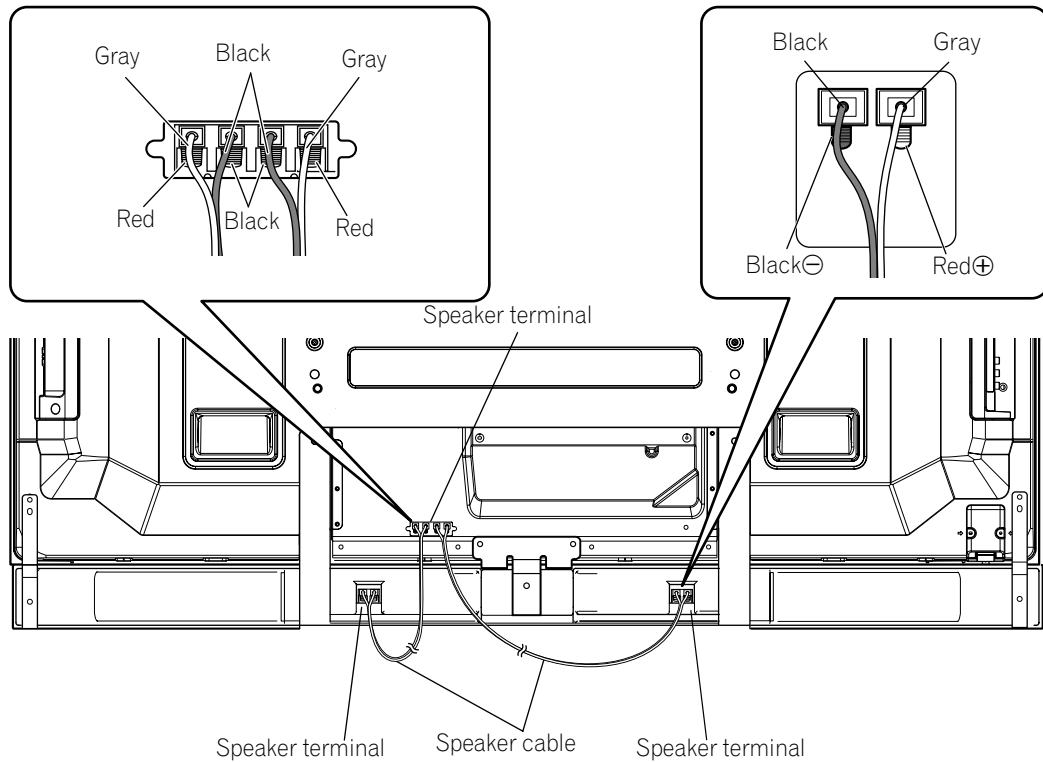
- If after attaching the speaker its position needs to be adjusted horizontally or vertically, first loosen the speaker mounting screws, reposition and then tighten the screws again at the appropriate position.

4 Connect the supplied speaker cables to the rear of plasma display.

Connect the cables correctly with respect to the polarity of the plasma display speaker terminals, that is, ⊕ cable (Gray) to ⊕ terminals (Red) and ⊖ cable (Black) to ⊖ terminals (Black).

5 Connect the other end of the speaker cables to the speaker.

Connect the cables correctly with respect to the polarity of the speaker terminals, that is, ⊕ cable (Gray) to ⊕ terminals (Red) and ⊖ cable (Black) to ⊖ terminals (Black).

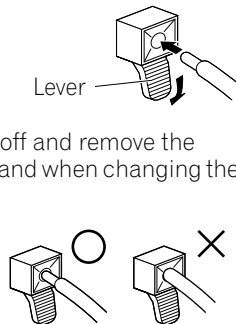


Note

- Press the lever and insert the end of the cable.
- When you release the lever, it clamps onto the speaker cable.

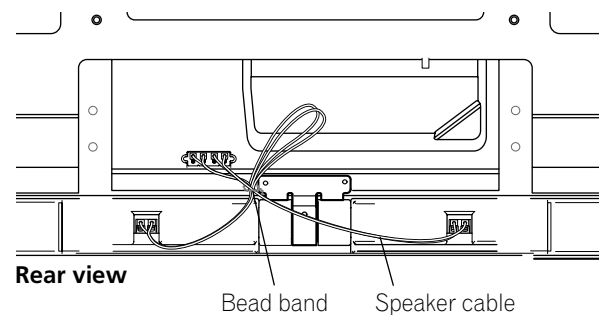
Caution

- Be sure to turn the connected devices off and remove the power cord from the wall outlet beforehand when changing the connection or installation method.
- If you insert the speaker cable too far so that the insulation is touching the speaker terminal, you may not get any sound. Please insert it with showing the copper wire.
- Check if the end of the speaker cables are securely connected to the terminals by slightly tugging on the cable after making connections. Loose connections may result in sound dropouts or noise.
- If there is a short in the ⊕ and ⊖ cables caused by an exposed lead wire, excessive load may be applied to the plasma display, resulting in interrupted operation or malfunction.
- Incorrect connections of the speaker cable to the right or left of the plasma display terminals with respect to the polarity may result in insufficient stereo sound effects, delivering poor bass sounds or unstable sound image.
- Bundle the cable without pulling.



6 Bundle the cables.

- Bead bands are included with the plasma display.
- Use the bead bands as necessary.
- When tidying up your speaker cables, make sure to bundle them so that they are not subjected to any pressure.



When using the hung on wall unit (PDP-5010FD)

Note

- First lay the plasma display on top of a soft sheet etc., remove the stand, then attach the speaker mounting fittings.

- 1 **Attach the speaker mounting fittings to the rear of the plasma display (See step 1 on page 23).**
- 2 **Connect the supplied speaker cables to the rear of the plasma display (See step 4 on page 25).**
- 3 **Place the plasma display on the mounting fittings of the hung on wall unit.**

For details, refer to the instruction manual supplied with the hung on wall unit.

Caution

- Be careful about the speaker mounting fittings when installing or connecting. This may result in injury.

- 4 **Connect the other end of the speaker cables to the speaker (See step 5 on page 25).**

Caution

- Have two people perform this procedure.

- 5 **Fit the speaker to the mounting fittings the correct direction.**

Caution

- Be sure not to mount the speaker upside down.

- 6 **Tighten from below using the supplied screws (three locations).**

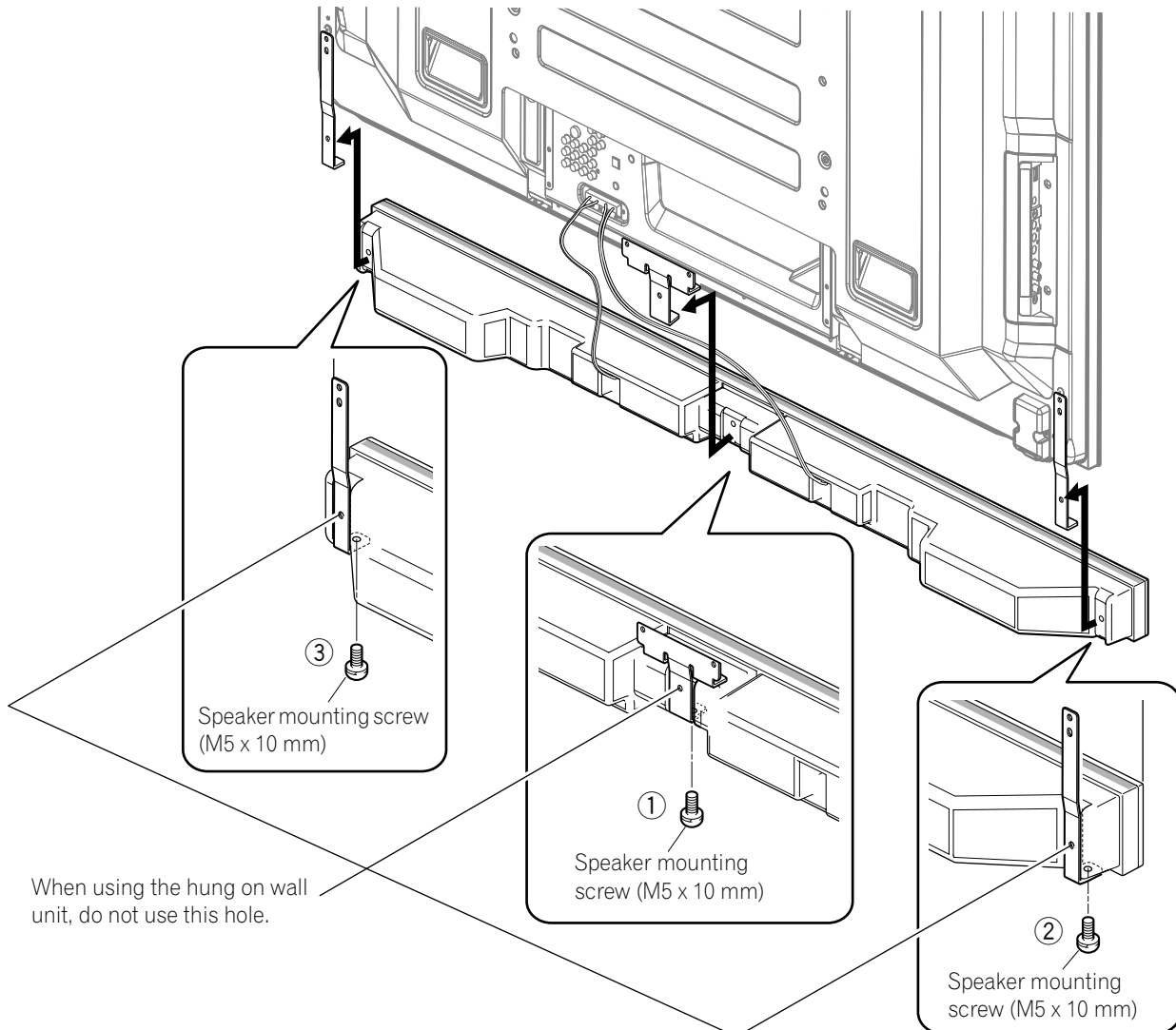
- Tighten the three screws in order ①, ②, ③ as shown in the drawing.
The screw hole at the rear surface of the speaker mounting fitting is used when the plasma display is installed with the table top stand. It is not used when installed on the wall.

Note

- If after attaching the speaker its position needs to be adjusted horizontally, first loosen the speaker mounting screws, reposition and then tighten the screws again at the appropriate position.

- 7 **Bundle the cables.**

- Bead bands are included with the plasma display.
- Use the bead bands as necessary.
- When tidying up your speaker cables, make sure to bundle them so that they are not subjected to any pressure.



Preventing the plasma display from falling over

After installing the stand, be sure to take special care to ensure that the plasma display will not fall over and is stabilized to both the wall and rack.

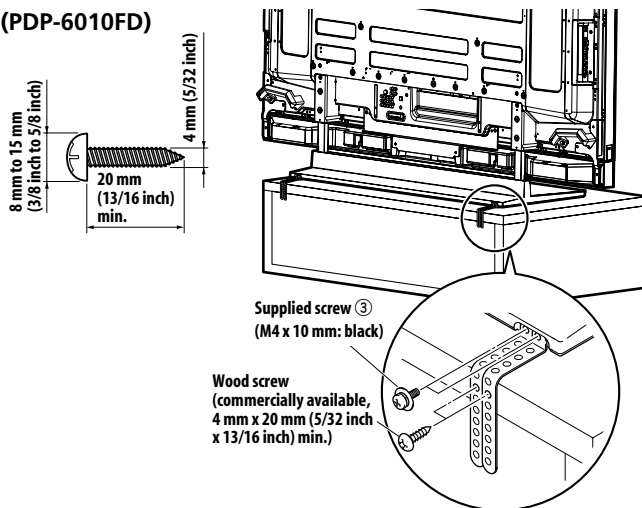
Stabilizing on a table or rack

Stabilize the plasma display as shown in the diagram using the supplied plastic bands and screws.

Note

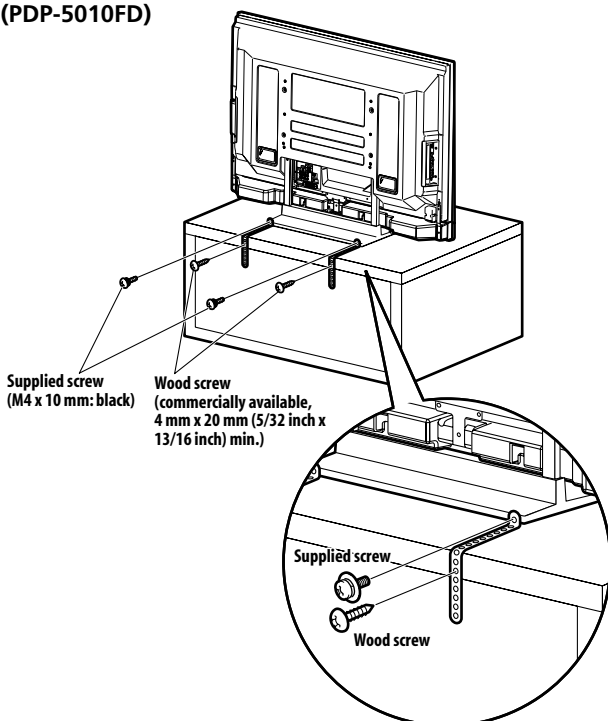
- To stabilize the plasma display on a table or rack, also use commercially available wood screws that have a nominal diameter of 4 mm (5/32 inch) and that are at least 20 mm (13/16 inch) long.

(PDP-6010FD)



Drill a hole in the middle at the rear of the tabletop panel before using a wood screw. Perform this work the same way on the left and right sides.

(PDP-5010FD)



Drill a hole in the middle at the rear of the tabletop panel before using a wood screw. Perform this work the same way on the left and right sides.

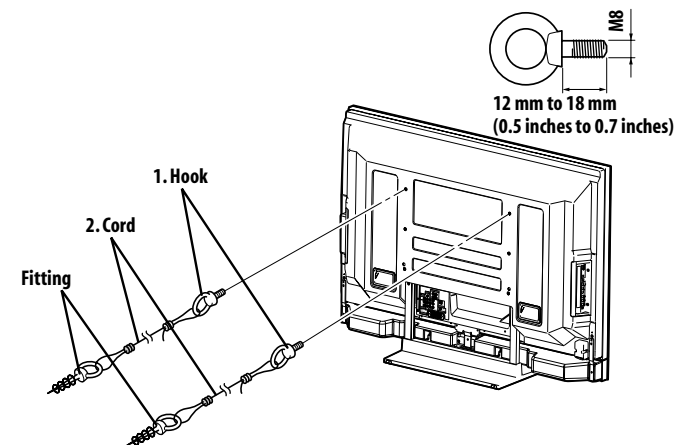
Using a wall for stabilization

- Attach falling prevention bolts (hooks) to the plasma display.
- Use strong cords to stabilize it appropriately and firmly to a wall, pillar, or other sturdy element.

Perform this work in the same way on the left and right sides.

Note

- Use hooks, cords and fittings that are available on the market. Recommended hook: Nominal diameter 8 mm (3/8 inch), length 12 mm to 18 mm (0.5 inches to 0.7 inches).



Caution

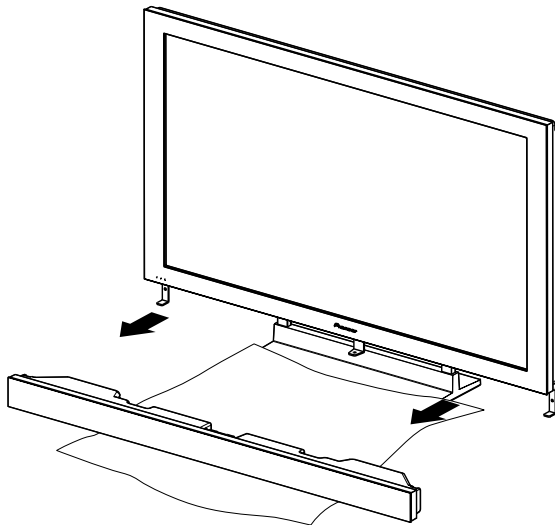
- A table or rack with adequate strength should always be used to support the plasma display. Failure to do so could result in personal injury and physical damage.
- When installing the plasma display, please take the necessary safety measures to prevent it from falling or overturning in case of emergencies, such as earthquakes, or of accidents.
- If you do not take these precautions, the plasma display could fall down and cause injury.
- The screws, hooks, cords and other fittings that you use to secure the plasma display to prevent it from overturning will vary according to the composition and thickness of the surface to which it will be attached.
- Select the appropriate screws, hooks, cords, and other fittings after first inspecting the surface carefully to determine its thickness and composition and after consulting a professional installer if necessary.

Detaching the Pioneer stand

- When removing the stand before you install the speaker, begin with step 2.
- Besides the speaker, steps for detaching the stand are the same for PDP-6010FD and PDP-5010FD.

1 Detach the supplied speaker if it has already been installed.

- To detach the speaker, remove the cable wiring for the speaker at the rear and screws at the rear of the speaker and pull it out (see step 3 on page 20 for PDP-6010FD or steps 3 on page 24 for PDP-5010FD).

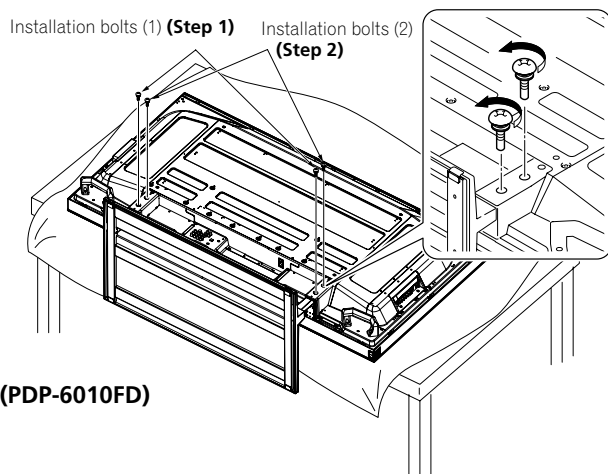


- Use the protective sheet in which the speaker was wrapped between the speaker and stand.
- Make sure to remove the speaker mounting fittings.

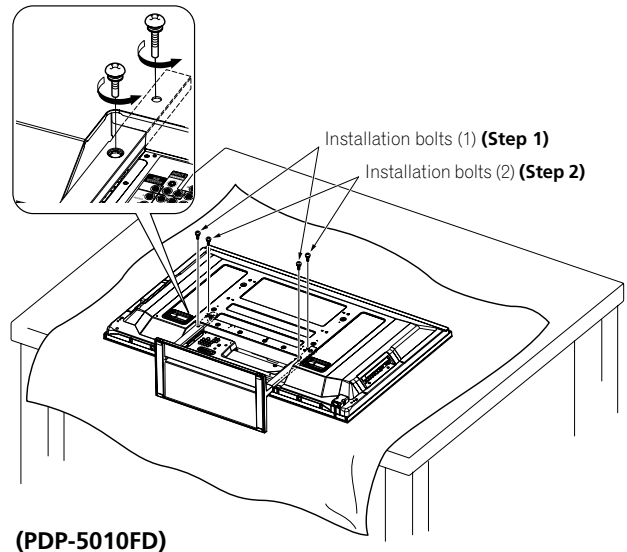
2 With the plasma display lying flat, loosen and remove the two installation bolts (1) and (2) using a screwdriver.

Installation bolt (1): M8 x 23 mm (black) for PDP-5010FD
M6 x 20 mm (black) for PDP-6010FD

Installation bolt (2): M8 x 40 mm (black) for PDP-5010FD
M6 x 20 mm (black) for PDP-6010FD



(PDP-6010FD)



(PDP-5010FD)

3 Remove the stand from the plasma display.

Note

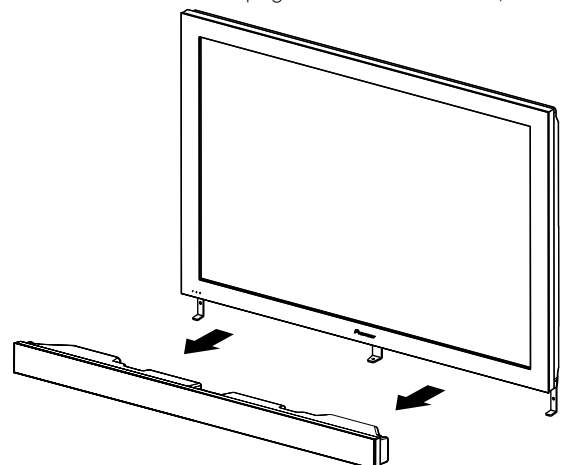
- Make sure to keep the installation bolts (1) and (2) that have been removed as they are re-used when attaching the stand to the plasma display.
- Place a sheet or protective cover to protect the display from scratches or damage.
- Work only with the plasma display lying flat on a table or similar surface.
- When lying the plasma display down, be careful not to scratch or damage it.

Attaching the stand again

- When the plasma display is mounted without the supplied speaker, begin with step 2.
- Besides the speaker, steps for attaching the stand are the same for PDP-6010FD and PDP-5010FD (use the screw holes with "T" inscribed).

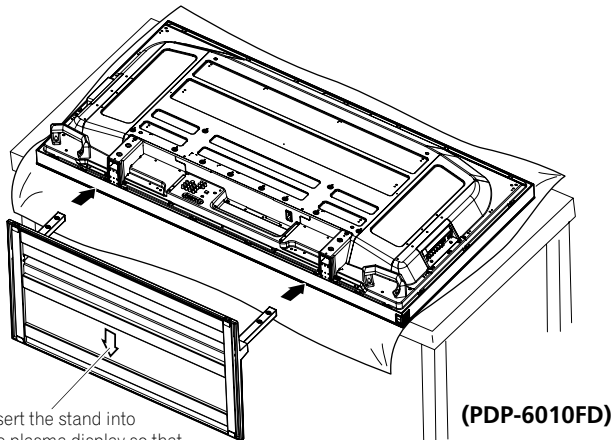
1 Detach the supplied speaker when the plasma display is being mounted on the wall, with the speaker attached.

- To detach the speaker, remove the cable wiring for the speaker at the rear and screws at the bottom of the speaker and pull it out (see illustrations on page 22 for PDP-6010FD and on page 26 for PDP-5010FD).



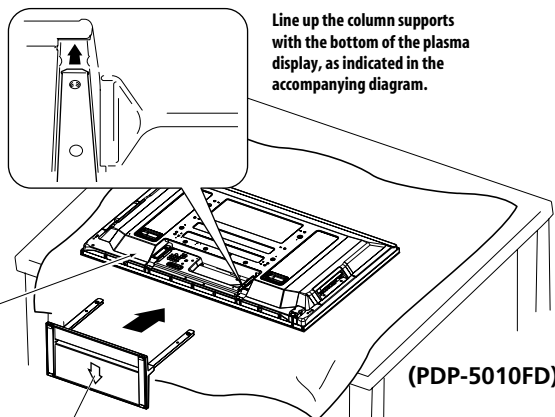
2 With the plasma display lying flat, fit the stand's support columns to the bottom of the plasma display as indicated by the arrows, then slowly insert them.

- Be extremely careful not to insert the support columns of the stand into any part of the plasma display other than the stand insertion slots. Doing so might damage the plasma display panel or its ports or result in warping of the stand.



Insert the stand into the plasma display so that an arrow with "FRONT/FACE AVANT" mark inscribed at the bottom of the stand indicates downward.

(PDP-6010FD)



Line up the column supports with the bottom of the plasma display, as indicated in the accompanying diagram.

Plasma display

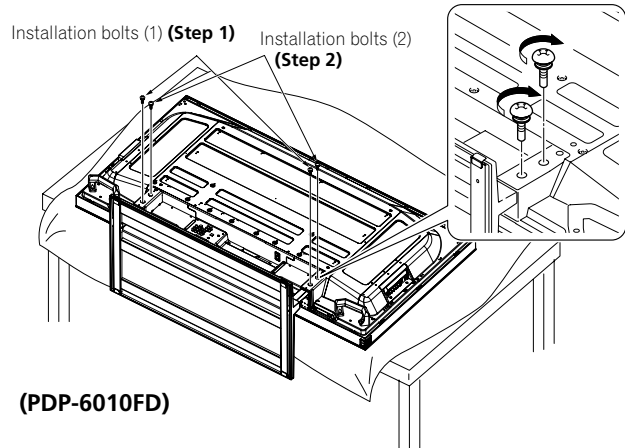
Insert the stand into the plasma display so that an arrow with "FRONT/FACE AVANT" mark inscribed at the bottom of the stand indicates downward.

(PDP-5010FD)

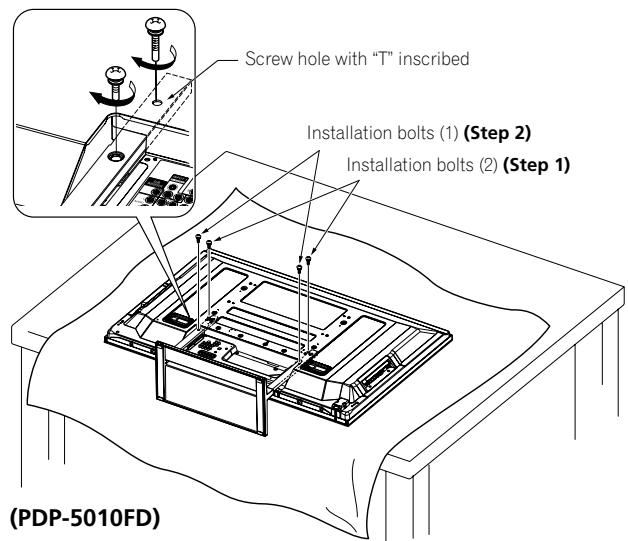
3 Attach the stand at the points indicated by the arrows and tighten the installation bolts (2) and (1) firmly using a screwdriver.

Installation bolt (1): M8 x 23 mm (black) for PDP-5010FD
M6 x 20 mm (black) for PDP-6010FD

Installation bolt (2): M8 x 40 mm (black) for PDP-5010FD
M6 x 20 mm (black) for PDP-6010FD



(PDP-6010FD)



(PDP-5010FD)

4 Replace the plasma display to stand upright. For speaker installation, see "Installing the Pioneer speaker" on page 18.

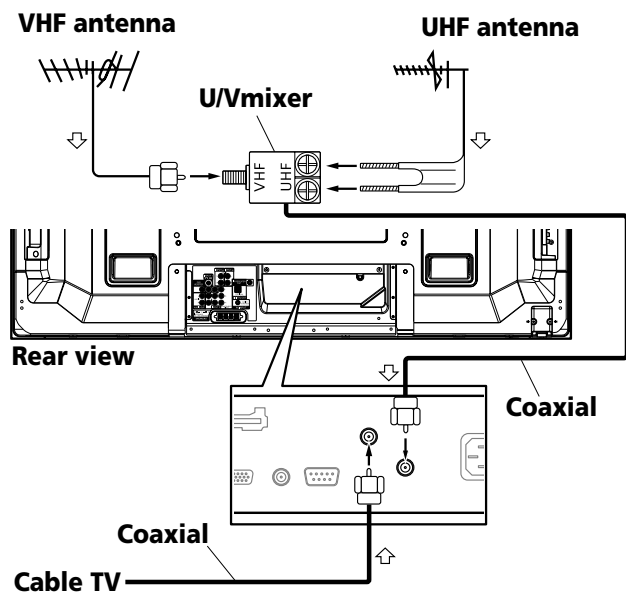
Note

- Be sure to install the plasma display in a flat, stable location.
- Insert the screws into the holes vertically and tighten them.
- Place a sheet or protective cover to protect the display from scratches or damage.
- Work only with the plasma display lying flat on a table or similar surface.
- When lying the plasma display down, be careful not to scratch or damage it.

Cable connections for watching digital and/or conventional TV channels

This system is equipped with two terminals for inputting TV broadcasting signals: ANT/CABLE A IN and ANT B IN. The ANT/CABLE A IN terminal accepts both digital and conventional TV broadcasting signals while the ANT B IN terminal accepts only conventional TV broadcasting signals. When using cable TV to watch digital and/or conventional TV channels, connect to the ANT/CABLE A IN terminal as shown. In addition, you may connect an antenna to the ANT B IN terminal as shown; use an outdoor antenna to enjoy clearer pictures. If your outdoor antenna uses a 75-ohm coaxial cable with an F-type connector, plug it into the antenna terminal at the rear of the plasma display.

Connecting VHF/UHF antennas and a Cable



Note

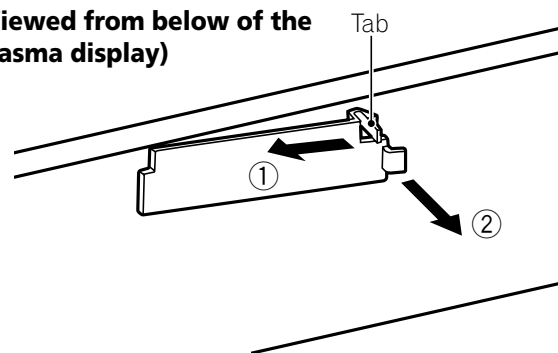
- Be sure to connect coaxial cables as shown above. Signal reception may fail if not properly connected.
- In order to watch cable TV channels, be sure to connect the cable to the ANT/CABLE A IN terminal.
- The ANT/CABLE A IN and ANT B IN terminals must not receive the same signals. For example, do not connect a cable from a cable TV to both the ANT/CABLE A IN and ANT B IN terminals. Similarly, do not connect a cable from an antenna to both the ANT/CABLE A IN and ANT B IN terminals.
- TV Guide may not be available in all areas and is not available with satellite systems. In addition, as content providers move to digital programming and broadcasting, TV Guide Data may be unavailable or become unavailable.

Inserting the CableCARD™

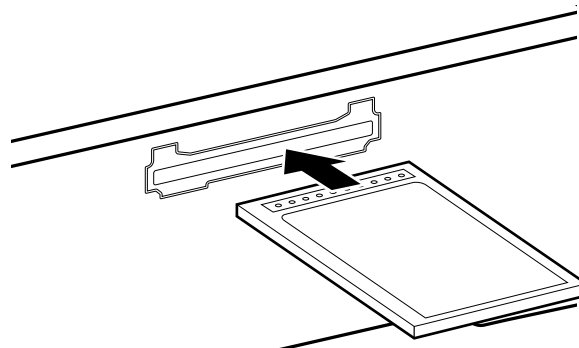
The plasma display is equipped with a slot for inserting a CableCARD™. When you are watching digital and/or High Definition TV channels over cable, the card allows you to use the POD service provided by the cable TV company; the POD stands for Point of Deployment. This service presents various types of useful information, using HTML text.

- 1 Confirm that the ANT/CABLE A IN terminal has been connected with the coaxial cable from the Cable Converter.
- 2 Hold and push the tab of the slot cover on the rear of the plasma display leftward, and remove the cover while pulling the tab's latch downward.

(Viewed from below of the plasma display)



- 3 Insert the specified CableCARD™ into the Cable CARD slot as far as it goes.

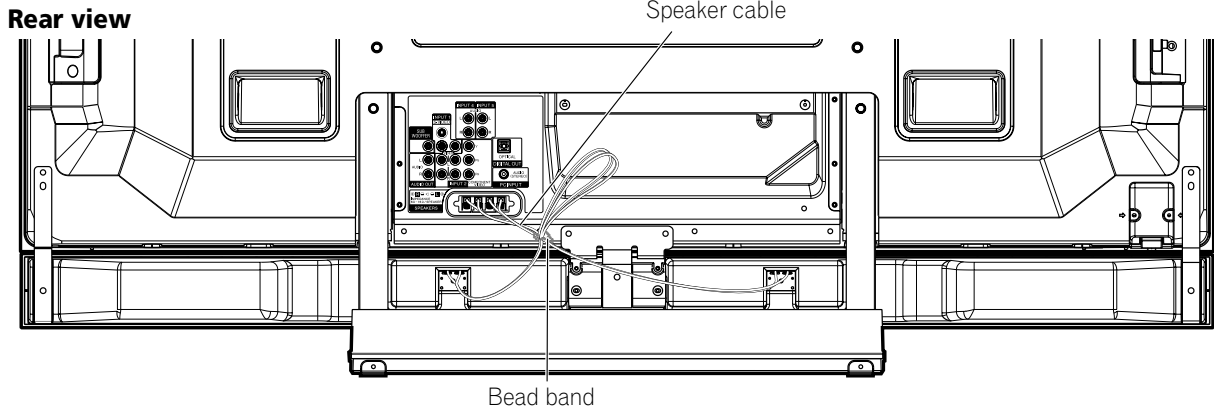


Note

- Be sure to insert only the specified CableCARD™.
- Do not insert a PC card.
- When you use a CableCARD™, you need not execute Auto Channel Preset; the CableCARD™ automatically generates a cable channel list.

Routing cables

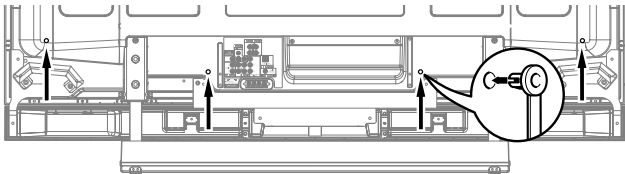
When the speaker is installed under the plasma display panel (PDP-5010FD)



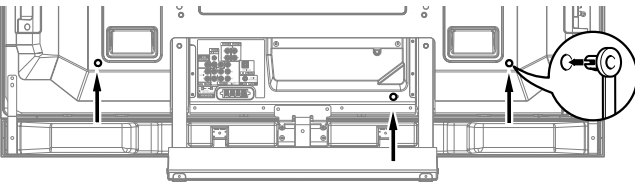
Attaching speed clamps to the main unit

Attach the speed clamps using the three holes (60 inches: four holes) marked with ↑ below, depending on your routing system.

for PDP-6010FD



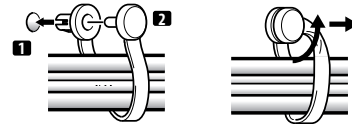
for PDP-5010FD



Attaching and removing speed clamps

Insert [1] into an appropriate hole on the rear of the plasma display and snap [2] into the back of [1] to lock the clamp. Speed clamps are designed to be difficult to undo once in place. Please attach them carefully.

Use pliers to twist the clamp 90°, pulling outward. The clamp may deteriorate over time and become damaged if removed.



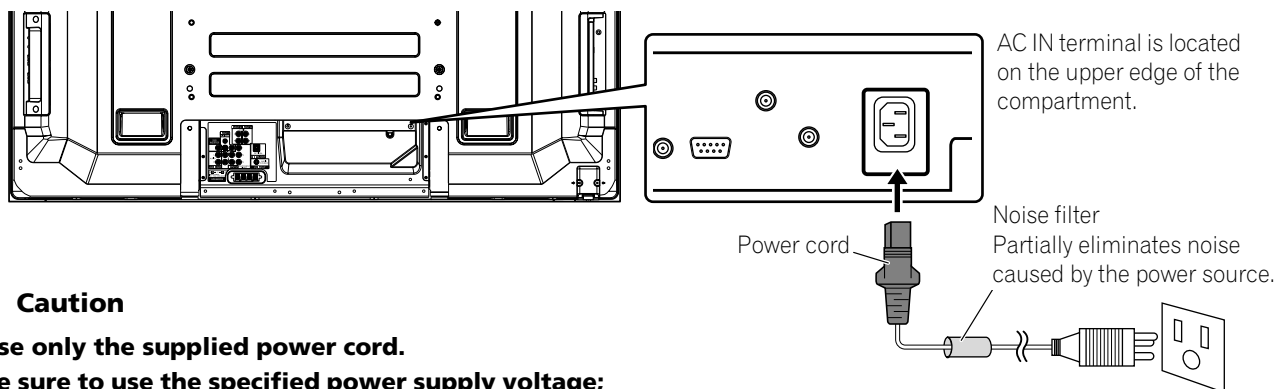
Note

- Use the supplied bead bands and speed clamps as necessary.
- When tidying up your speaker cables, make sure to bundle them so that they are not subjected to any pressure.

Connecting the power cord

Connect the power cord after all component connections have been completed.

Plasma display (rear view)



Caution

- Use only the supplied power cord.
- Be sure to use the specified power supply voltage; neglecting this can result in fire or electric shock.
- For the plasma display, a three-core power cord with a ground terminal is used for efficient protection. Always connect the power cord to a three-pronged outlet and make sure that the cord is properly grounded.

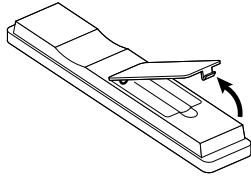
Note

- Always turn off the power of the plasma display when connecting or disconnecting power cords.
- Disconnect the power cord from the power outlet when the plasma display is not going to be used for a long period of time.

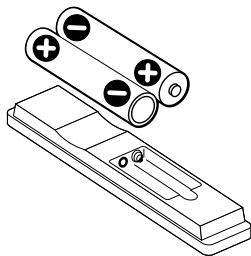
Preparing the remote control unit

Inserting batteries

1 Open the battery cover.

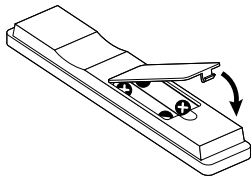


2 Load the supplied two AA size batteries while inserting their respective negative polarity (-) ends first.



- The battery polarities must correspond with the (+) and (-) indicators in the battery compartment.

3 Close the battery cover.



Cautions regarding batteries

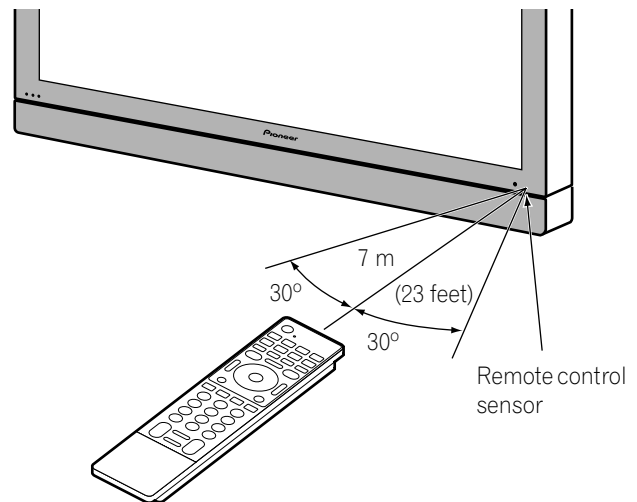
- The remote control unit cannot operate the system if the batteries in the unit are weak. When this happens, replace the batteries with new ones.
- When you replace the batteries, use alkaline batteries for the remote control unit.
- Do not mix batteries of different types. Different types of batteries have different characteristics.
- Do not mix old and new batteries. Mixing old and new batteries can shorten the life of new batteries or cause chemical leakage in old batteries.
- Do not leave dead batteries in the remote control unit; chemical leakage will occur. If you find any chemical leakage, wipe thoroughly with a cloth.
- The batteries supplied with this product may have a shorter life expectancy due to storage conditions.
- If you will not use the remote control unit for an extended period of time, remove the batteries from it.

Battery disposal

When disposing of used batteries, please comply with governmental regulations or environmental public institution's rules that apply in your country/area.

Allowed operation range of the remote control unit

Operate the remote control unit while pointing it toward the remote control sensor located at the bottom right of the front panel of the plasma display. The distance from the remote control sensor must be within 7 m (23 feet) and the angle relative to the sensor must be within 30 degrees in the right or left direction.



Note



- For remote control sensor locations, see *Part Names* on page 14.

Cautions regarding the remote control unit

- Do not expose the remote control unit to shock, liquid, or high humidity.
- Do not place the remote control unit under direct sunlight; the unit may deform.
- The remote control unit may not work properly if the remote sensor window of the plasma display is under direct sunlight or strong lighting. In such case, change the angle of the lighting or plasma display, or operate the remote control unit closer to the remote sensor window.
- When any obstacle exists between the remote control unit and the remote control sensor, the remote control unit may not function.
- As the batteries become weak, the remote control unit can function within a shorter distance from the remote control sensor. Replace the batteries with new ones if necessary.
- The plasma display emits very weak infrared rays from its screen. If you place such equipment operated through infrared remote control as a VCR nearby, that equipment may not receive commands from its remote control unit properly or entirely. If this is the case, place that equipment at a location far enough from the plasma display.
- Depending on the installation environment, infrared rays from the plasma display may not allow this system to properly receive commands from the remote control unit or may shorten allowable distances between the remote control unit and the remote control sensor. The strength of infrared rays emitted from the screen differs, depending on images displayed on the screen.

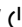
Chapter 6 Basic Operations

Turning on the power

- Turn  on on the plasma display when the **POWER ON** and **STANDBY** indicators are off (see *Part Names* on pages 14 and 15).
 - The system is on.
 - The POWER ON indicator lights up blue.
- Press **TV**  on the remote control unit or **STANDBY/ON** on the plasma display when the **STANDBY** indicator lights up red.
 - The POWER ON indicator lights up blue.

Turning off the power

(to standby mode)




- 1 Press **TV**  on the remote control unit or **STANDBY/ON** on the plasma display.
 - The system enters the standby mode and the image on the screen disappears.
 - The STANDBY indicator lights up red.
 - This will allow the system to automatically receive digital TV program information while in the standby mode.

Note

- If you are not going to use this system for a long period of time, remove the power cord from the power outlet.

Plasma display status indicators

The table below shows the operational status of the plasma display. You can check the current status of the system with the indicators on the plasma display.

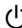

Indicator Status		System Status
POWER ON	STANDBY	
●	●	The power cord of the plasma display has been disconnected. Or, the power cord of the plasma display has been connected but the  button of the plasma display is off.
	●	Power to the system is on.
●		The system is in the standby mode.

For other than the above, see *Troubleshooting* on page 93.

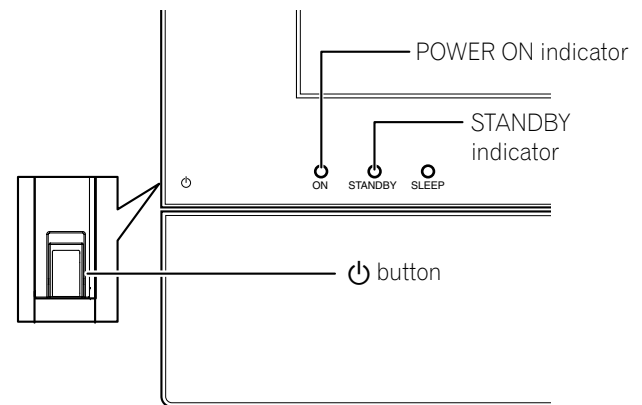
Note

- You can select "Auto", "High", "Mid" or "Low" for the brightness of the POWER ON indicator. When "Auto" is selected, the brightness of the indicator changes to "High", "Mid" or "Low" to match the brightness level of the viewing area. For details, see *Blue LED Dimmer* on page 69.

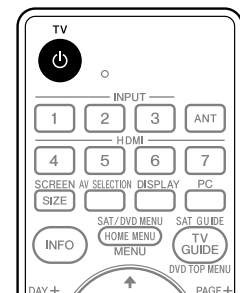
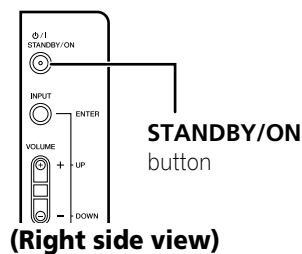
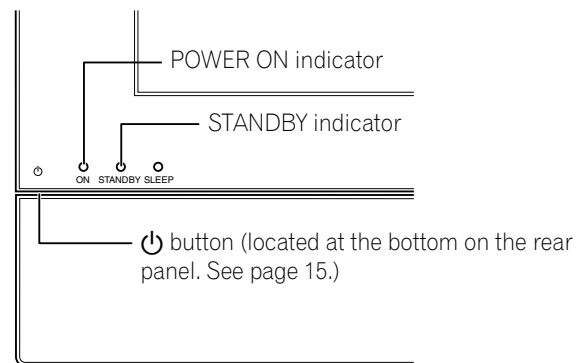
Caution

- While the POWER ON and STANDBY indicators are off, the system cannot be placed into the power-on mode even when **TV**  or **STANDBY/ON** button is pressed. Turn  on on the plasma display.
- The plasma display will still consume some power as long as the power cord is inserted into the power outlet.

Plasma display (PDP-6010FD)



(PDP-5010FD)



Watching TV channels

Unless you set up TV channels that you can watch under the current conditions, you cannot tune in those channels. For the procedure, see *Setting up TV channels* on page 43.

Note

- When watching a digital TV program, you may see emergency alert messages scrolling at the top of the screen. Those messages are broadcasted by TV stations as necessary when in emergency situations.

Selecting the antenna

After confirming that the Mode switch on the remote control unit has been set to "TV", press **ANT** on the remote control unit to select antenna A or B.

- Make this selection depending on the connections to the antenna input terminals at the rear of the plasma display (page 30).
- While watching a broadcast, press **ANT** to view the image received from the other antenna.
- Pressing **ANT** while watching in the multiscreen mode (TV image and video image) with TV selected will display the TV image of the other antenna.
- Pressing **ANT** while watching in the multiscreen mode with two TV images displayed will not have any effect.

Changing channels

To increase the channel number, press **CH +** on the remote control unit. To decrease the channel number, press **CH -**.

- CHANNEL +/-** on the plasma display operates the same as **CH +/-** on the remote control unit.
- Press **CH RETURN** to switch the currently tuned channel to the previously tuned channel. Press **CH RETURN** again to restore the currently tuned channel.

Using 0 to 9 and • (dot) on the remote control unit

Select channels directly by pressing buttons **0** to **9**. To select subchannels, also use the **•** (dot) button.

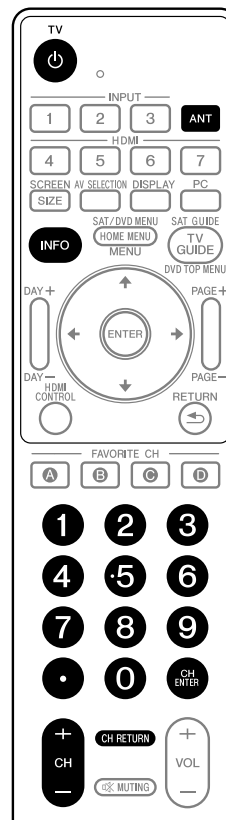
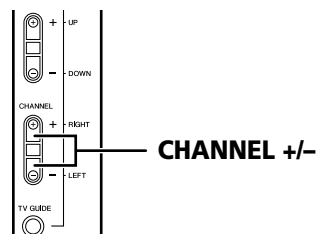
EXAMPLE

- To select channel 5 (one-digit channel), press **5**.
- To select channel 25 (two-digit channel), press **2** then **5**.
- To select channel 125 (three-digit channel), press **1**, **2**, then **5**.
- To select subchannel 10.01, press **1**, **0**, **•** (dot), **0**, then **1**.
- To select subchannel 10.001 (for cable TV), press **1**, **0**, **•** (dot), **0**, **0**, then **1**.

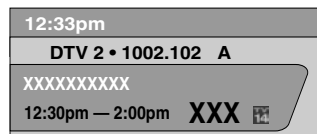
Note

- After entering a channel or subchannel number, you may press **CH ENTER** to tune in the channel more quickly.
- Each time you change a channel, a channel banner appears that shows information about the currently selected channel. To clear the channel banner, press **INFO**.
- If you do not setup the TV Guide On Screen™ system, the channel banner may not display certain types of program information.

Plasma display (right side view)



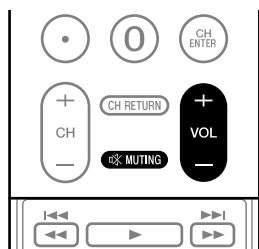
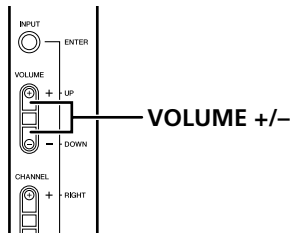
Channel banner



Changing the volume and sound

VOLUME +/- on the plasma display operates the same as **VOL +/-** on the remote control unit.

Plasma display (right side view)



To increase the volume, press **VOL +** on the remote control unit.
To decrease the volume, press **VOL -**.

Volume adjustment display



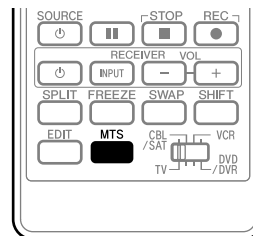
To mute the sound output, press **MUTING**. "M" appears on the screen. To quit muting, press **MUTING** again. Pressing **VOL +** also quits muting.

Muting display



Changing the language

If you have selected a digital TV program that provides multi-language services, you can switch among the languages by pressing **MTS** on the remote control unit.



Each time you press **MTS**, the language switches.

Note

- Switchable languages differ depending on the current broadcast.
- If the language selected through language setting is available when the channel or program is changed, you will hear that language.
- If you are watching a digital TV program without sound or language information, "N/A" appears on the screen. With a language other than English, French, and Spanish are selected, "Others" will appear.

Setting MTS/SAP mode

When watching conventional TV programs, you may enjoy stereo sound and/or Secondary Audio Programs (SAP), using the Multi-channel Television Sound (MTS) function.

• Stereo broadcasts

You can enjoy, for example, sports, shows, and concerts in dynamic stereo sound.

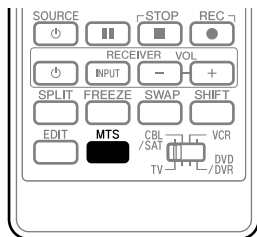
• SAP broadcasts

MAIN sound: The normal program soundtrack (either in mono or stereo).

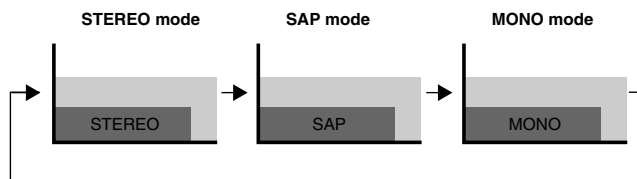
SAP sound: Listen to second language, supplementary commentary and other information. (SAP is mono sound.)

Note

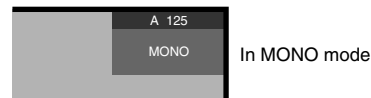
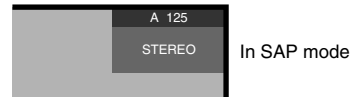
- Conventional TV channels in this manual designate TV channels that are received through the conventional VHF/UHF frequencies or conventional cable TV channels.
- When stereo sound is difficult to hear, you may manually switch to the MONO mode to obtain clearer sound.
- Once the MONO mode is selected, the plasma display sound remains mono even if the system receives a stereo broadcast. You must reselect the STEREO mode if you want to hear stereo sound again.
- Selecting MTS while the input source is INPUT 1 to INPUT 7 or PC does not change the type of sound. In this case, sound is determined by the video source.
- The **MTS** button is disabled while the TV Guide On Screen™ system is displayed.
- In each of the MTS/SAP modes selected, the display changes depend on broadcast signals being received.



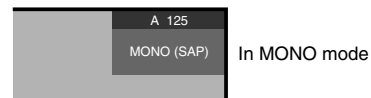
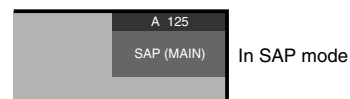
Each time you press **MTS**, MTS toggles as shown below.



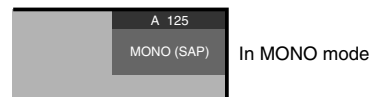
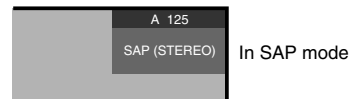
When receiving STEREO sound signals



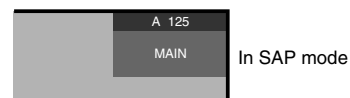
When receiving MONO + SAP sound signals



When receiving STEREO + SAP sound signals

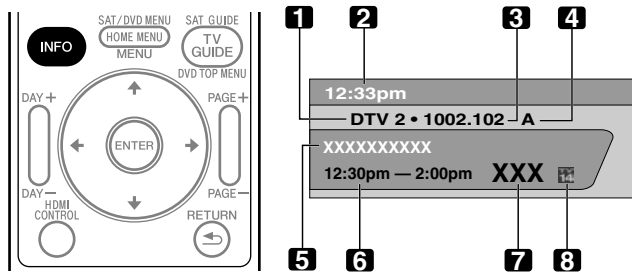


When receiving MONO sound signals



Viewing a channel banner

While watching a TV program, pressing **INFO** causes the following banner to appear. Pressing **INFO** again causes the banner to disappear.



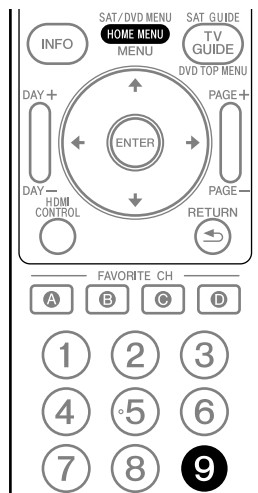
- 1 Station name
- 2 Current time
- 3 Channel number
- 4 Input (Ant. A or Ant. B)
- 5 Program title
- 6 Program time schedule
- 7 Channel logo
- 8 TV rating name or icon

Note

- The above information is not displayed if not included in broadcast signals.
- If you do not setup the TV Guide On Screen™ system, the channel banner may not display certain types of program information.

Using the POD service

If you have watched digital and/or High Definition TV channels over cable, you can use the POD service provided by the cable TV company. This service presents various types of useful information, using HTML text.



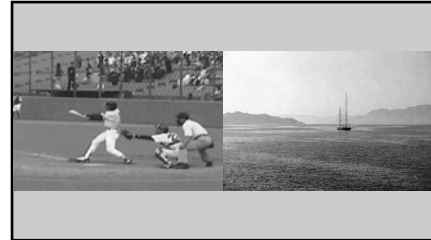
Press **HOME MENU**, **9**, **9**, then **9** to view the POD display.

Using the multiscreen functions

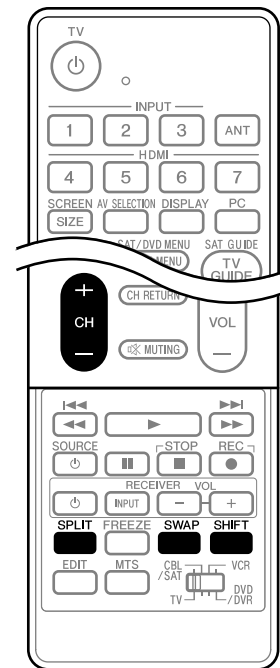
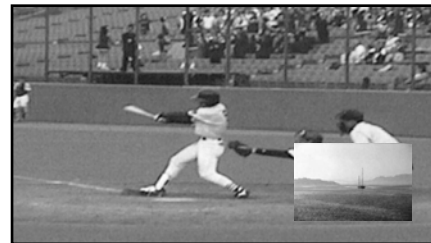
Splitting the screen

Use the following procedure to select the 2-screen or picture-in-picture mode.

2-screen



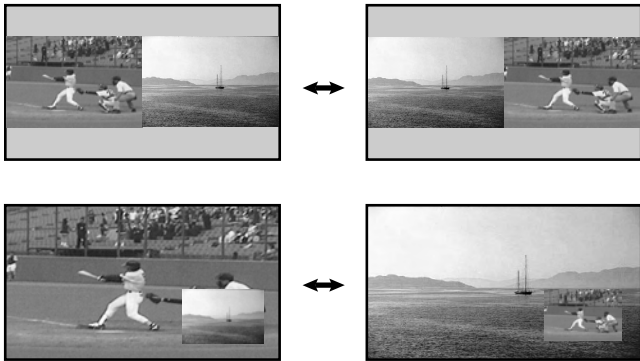
Picture-in-picture



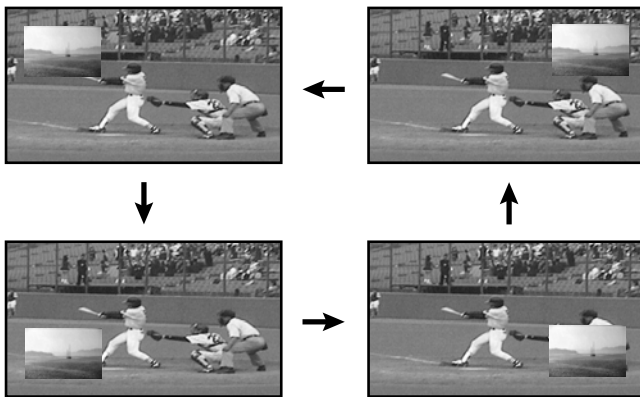
- 1 Press **SPLIT** to select the display mode.

- Each time you press **SPLIT**, the display mode is switched among 2-screen, picture-in-picture, and single-screen.

- In 2-screen or picture-in-picture mode, press **SWAP** to switch the position of the two screens shown. Left screen is the active screen which will be indicated by “▶”. The user is allowed to operate picture and sound.



- In picture-in-picture mode, press **SHIFT** to move the position of the small screen in anti-clockwise.



2 To select the desired input source, press the appropriate input source button.

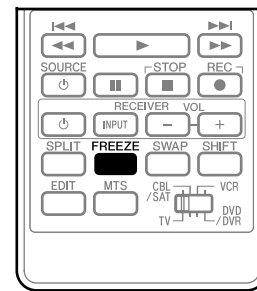
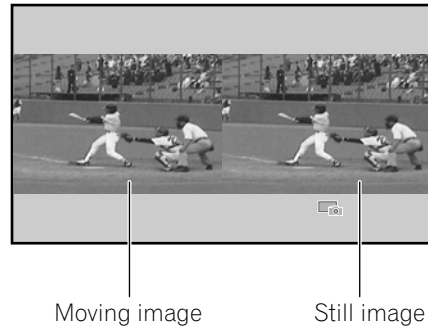
- If watching TV programs, press **CH +/-** to change the channel.

Note

- The **SPLIT** button is disabled while the TV Guide On Screen™ system is displayed.
- The multiscreen function cannot display images from the same input source or two external input sources at the same time. If you make such an attempt, a warning message appears.
- When you press **HOME MENU**, the single-screen mode is restored and the corresponding menu is displayed.
- When the two screens show the same analog broadcasting coming through antenna A and B, the picture quality may differ between the two screens.
- Displaying pictures in multi-screen mode for an extended period may cause an after-image.

Freezing images

Use the following procedure to capture and freeze one frame from a moving image that you are watching.



1 Press FREEZE.

- A still image appears on the right screen while a moving image is shown on the left screen.

2 Press FREEZE again to cancel the function.

Note

- With the screen split, any image cannot be frozen.
- When you try to use this function when it is not available, a warning message appears.
- Image FREEZE is canceled automatically if you do not perform any operation for five minutes.
- Displaying pictures in FREEZE mode for an extended period may cause an after-image.

Chapter 7

TV Guide On Screen™ System Setup

About the TV Guide On Screen™ system

The TV Guide On Screen™ system is a free, interactive on-screen television program guide. The system offers program listings, searching by keyword, reminders and more. The TV Guide On Screen™ system is a convenient way to find out what's on right now or during the coming week, by channel or by genre. It also allows you to automatically set your viewing and recording selections quickly and easily.

Before you can start using the TV Guide On Screen™ system, you'll need to set it up.

Legal Notices

In the United States, TV Guide and other related marks are registered marks of Gemstar-TV Guide International, Inc. and/or one of its affiliates. In Canada, TV Guide is a registered mark of Transcontinental, Inc. and is used under license by Gemstar-TV Guide International, Inc.



Note

- The TV Guide On Screen™ interactive program guide provides listings for cable-ready and digital cable services as well as over-the-air broadcast. It does not provide listings for satellite services.
- Depending on the current settings and selected items, the order of the setup screens may differ from the one given in this manual. Follow the instructions shown on the screens.
- TV Guide may not be available in all areas. As content providers move to digital programming and broadcasting, TV Guide data may be unavailable or become unavailable.

Setting up the TV Guide On Screen™ system

When the plasma display is powered on for the very first time, you are automatically taken through the setup process. Immediately thereafter the TV Guide On Screen™ setup process begins, starting with the Welcome Screen. Setup may be accessed from the initial Setup reminder screens, or by pressing TV GUIDE for a device in which TV Guide On Screen™ has not yet been setup.



Note

- Once you set up the TV Guide On Screen™ system it may take up to 24 hours to begin to receive TV program listings. Receipt of all eight days of listings may take up to one week (see Screen 6).

Welcome Screen

Initial TV set up leads you to the Welcome screen.

Or press **TV GUIDE** to begin setup.

- The Welcome Screen lists features in the Guide.
- Press **ENTER** to display Screen 1 (shown on the right column of this page).



Reminder Screen

If you previously skipped Guide setup, you see the Reminder Screen when you power on your TV.

To make a selection, press **↑/↓** to highlight an option, and press **ENTER**.

- "Start setup" displays Screen 1.
- "Remind me to set it up later" returns you to watching TV.
- "Don't remind me again" returns you to watching TV and stops the reminder screen from appearing upon power on.



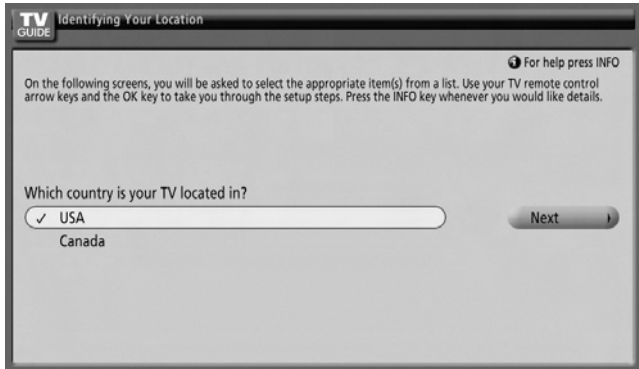
Note

- If you decide not to set up the Guide now, this reminder screen will appear each time you power on the TV (except if you selected "Don't remind me again").

System Setup Screens

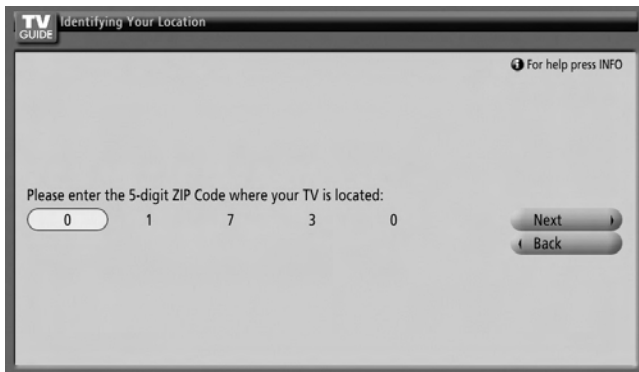
Screen 1: Select Country

- This screen asks you the location of your TV.
- Press **▲/▼** to highlight a country.
- Press **ENTER** to make the selection.
- Press **▶** to highlight **Next**.
- Press **ENTER** to display Screen 2.



Screen 2: Enter ZIP or Postal Code

- If you selected USA in Screen 1, you see the ZIP Code screen.
- Input ZIP Code by either
 - pressing the number keys or
 - pressing **▲/▼** to scroll through numbers, and then **▶** to move to the next character field and **Next**.
- You can select the Back button from any screen to return to the previous setup screens to correct or review the information you entered.
- Press **ENTER** to display Screen 3.



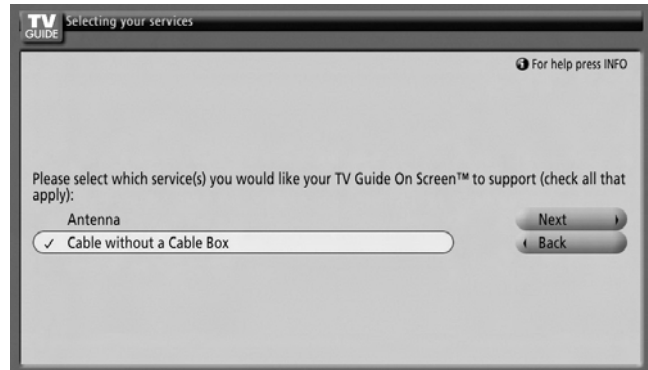
- If you selected Canada in Screen 1, you see the Postal Code screen.
- Input Postal Code by pressing **▲/▼** to scroll through letters (or numbers) and then **▶** to move to the next character field.
- Press **▶** to highlight **Next**.
- Press **ENTER** to display Screen 3.

Screen 3: Select service(s)

- Press **▲/▼** to highlight the connected video source(s) for which you would like to receive show listings.
- Press **ENTER** to make your selection(s).
- Press **▶** to highlight **Next**.
- Press **ENTER** to go to Screen 4.

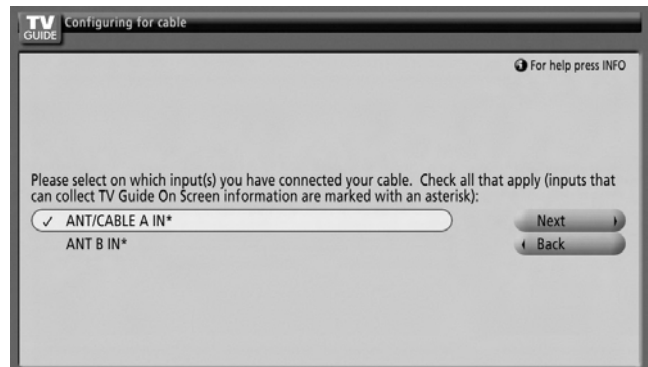
Note

- If you do not have cable service, you must select Antenna in order to receive a channel lineup and listings.



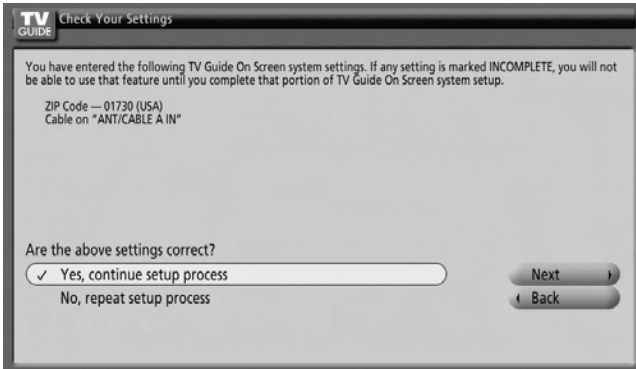
Screen 4: Which input terminal is the system plugged into?

- Select "ANT/CABLE A IN" or "ANT B IN" and you see Screen 5.

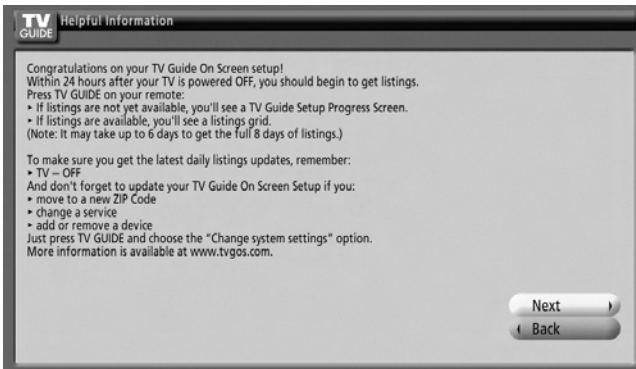


Screen 5: Are the settings correct?

- If you select “Yes”, you see Screen 6.
- If you select “No”, you see Screen 1.



Screen 6: Congratulations



Chapter 8

The HOME MENU

HOME MENU overview

For AV source

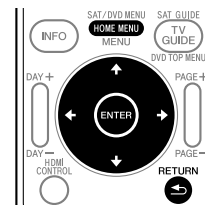
HOME MENU	Item	Page	
Picture	AV Selection	60	
	Contrast	61	
	Brightness	61	
	Color	61	
	Tint	61	
	Sharpness	61	
	Pro Adjust	61	
	Reset	61	
	Sound	Treble	63
		Bass	63
Balance		63	
Reset		63	
Sound Effect		64	
Power Control	Energy Save	64	
	No Signal off	64	
	No Operation off	65	
Sleep Timer	—	65	
Option	Position	66	
	Auto Size	68	
	Side Mask	68	
	HDMI Input	71	
	HDMI Control Setting	81	
	Blue LED Dimmer	69	
	Orbiter	69	
	Video Pattern	69	
	Digital Audio Out	74	
	Language	69	
	Tuner NR Setting	67	
	Game Control Pref	67	
	Room Light Sensor	69	
Tuner Setup	Channel Setup	43	
	Parental Control	44 – 48	
	Favorites	49	
	Closed Captions	49 – 50	
	Clock	50	
Home Gallery	—	76 – 78	
HDMI Control	—	79	

For PC source

HOME MENU	Item	Page
Picture	AV Selection	60
	Contrast	61
	Brightness	61
	Red	61
	Green	61
	Blue	61
	Reset	61
Sound	Same as the AV source	63
Power Control	Energy Save	64
	Power Management	65
Sleep Timer	—	65
Option	Auto Setup	66
	Manual Setup	66
	HDMI Input	71
	HDMI Control Setting	81
Home Gallery	—	76 – 78
HDMI Control	—	79

Using the HOME MENU

The following describes the typical procedure for setting up the menus. For the actual procedures, see the appropriate pages that describe individual functions.



- 1 Press **HOME MENU**.
- 2 Press **↑/↓** to select a menu item, and then press **ENTER**.
- 3 Repeat step 2 until you access the desired submenu item.
 - The number of menu layers differs depending on the menu items.
 - If you select "Tuner Setup", a menu bar appears at the bottom of the screen. To select a submenu item on the bar, press **←/→** instead of **↑/↓**.
- 4 Press **←/→** to select an option (or parameter), and then press **ENTER**.
 - For some menu items, press **↑/↓** instead of **←/→**.
- 5 Press **HOME MENU** to exit the menu.

Note

- You can return to the upper menu levels by pressing **RETURN**.

Chapter 9 Tuner Setup

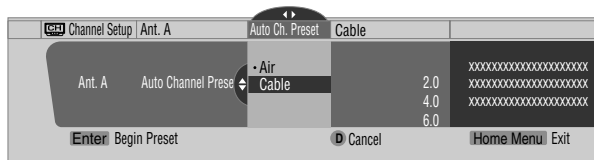
Setting up TV channels

This section describes how to search and set up TV channels that you can watch under the current conditions. Unless you set up TV channels using Auto Channel Preset, you may not be able to tune in those channels.

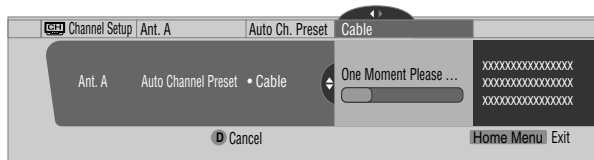
Using Auto Channel Preset

Auto Channel Preset automatically searches and sets up TV channels.

- 1 Press **HOME MENU**.
- 2 Select **"Tuner Setup"** (↑/↓ then **ENTER**).
- 3 Select **"Channel Setup"** (←/→ then **ENTER**).
- 4 Select **"Ant. A"** or **"Ant. B"** (↑/↓ then **ENTER**).
- 5 Select **"Auto Channel Preset"** (↑/↓ then **ENTER**).
- 6 Select **"Air"** or **"Cable"** (↑/↓ then **ENTER**).



- Channel search automatically starts.



- To quit Auto Channel Preset halfway, press **D**.

- 7 After Auto Channel Preset has been finished, press **HOME MENU** to exit the menu.

Note

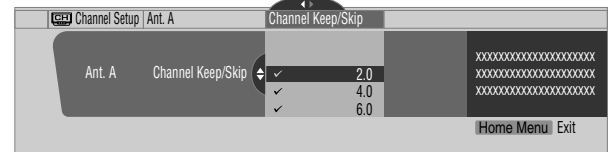
- When using the Cable Converter, you may need to manually add Cable Converter output channels.
- When an inserted CableCARD™ is functioning, you can execute Auto Channel Preset by selecting "Ant.B" in step 4.

Setting for skipping unwanted channels

From among TV channels searched and set up using Auto Channel Preset, you can select channels to be skipped when **CH+/-** are operated.

- 1 Press **HOME MENU**.
- 2 Select **"Tuner Setup"** (↑/↓ then **ENTER**).
- 3 Select **"Channel Setup"** (←/→ then **ENTER**).
- 4 Select **"Ant. A"** or **"Ant. B"** (↑/↓ then **ENTER**).
- 5 Select **"Channel Keep/Skip"** (↑/↓ then **ENTER**).

- 6 Select a channel to be skipped (↑/↓ then **ENTER**).



- For the skipped channel, a check mark disappears.

- 7 Press **HOME MENU** to exit the menu.

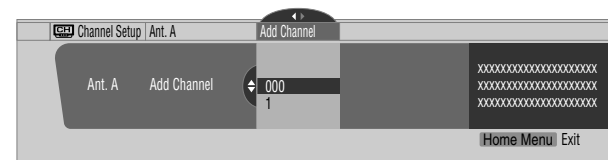
Note

- To restore skipped channels, use the above procedure except that you select a skipped channel in step 6.
- When using the Cable Converter, you may need to manually add Cable Converter output channels.

Setting up TV channels manually

This section describes how to manually set up TV channels that have not been set up by Auto Channel Preset.

- 1 Press **HOME MENU**.
 - 2 Select **"Tuner Setup"** (↑/↓ then **ENTER**).
 - 3 Select **"Channel Setup"** (←/→ then **ENTER**).
 - 4 Select **"Ant. A"** or **"Ant. B"** (↑/↓ then **ENTER**).
 - 5 Select **"Add Channel"** (↑/↓ then **ENTER**).
 - 6 Select a channel number to be added (↑/↓ then **ENTER**).
- You can also use buttons **0** to **9** to enter a channel number.



- After **ENTER** has been pressed, a confirmation screen appears.

- 7 Press **A** to complete the setup process.

- 8 Press **HOME MENU** to exit the menu.

Note

- Adding channels manually is for adding analog channels only. Digital channels cannot be added.

Checking signal strength

When you have selected antenna A, you can check the current channel's signal strength. You may use this function when receiving a channel through a VHF/UHF antenna.

- 1 Press **HOME MENU**.
- 2 Select **"Tuner Setup"** (↑/↓ then **ENTER**).
- 3 Select **"Channel Setup"** (←/→ then **ENTER**).
- 4 Select **"Ant. A"** (↑/↓ then **ENTER**).

- 8 Enter the same password that you have entered in step 7.
 - A confirmation screen appears.
- 9 Press **A**.
- 10 Press **HOME MENU** to exit the menu.

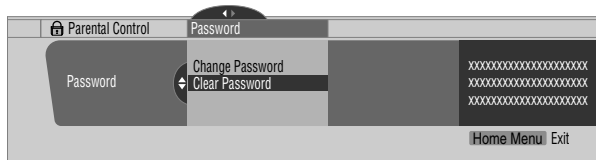
Note

- Take note of the newly set password and keep it handy.

Clearing the password

Use the following procedure to clear the password.

- 1 Press **HOME MENU**.
- 2 Select **"Tuner Setup"** (↑/↓ then **ENTER**).
- 3 Select **"Parental Control"** (←/→ then **ENTER**).
- 4 Select **"Password"** (↑/↓ then **ENTER**).
- 5 Select **"Clear Password"** (↑/↓ then **ENTER**).



- 6 Enter the current four-digit password, using buttons **0** to **9**.
 - A confirmation screen appears.
- 7 Press **A**.
- 8 Press **HOME MENU** to exit the menu.

Note

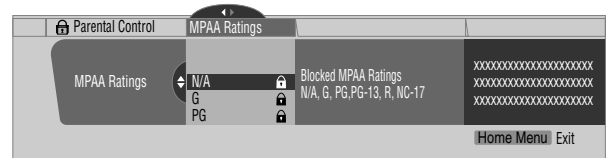
- The above procedure will reset the password to the factory default (1234).

Activating the Parental Control

- 1 Press **HOME MENU**.
- 2 Select **"Tuner Setup"** (↑/↓ then **ENTER**).
- 3 Select **"Parental Control"** (←/→ then **ENTER**).
- 4 Select **"Status"** (↑/↓ then **ENTER**).
- 5 Select **"On"** (↑/↓ then **ENTER**).
 - The password entry screen appears. Enter your four-digit password using buttons **0** to **9**.
- 6 Press **HOME MENU** to exit the menu.

Setting the voluntary movie rating system (MPAA)

- 1 Press **HOME MENU**.
- 2 Select **"Tuner Setup"** (↑/↓ then **ENTER**).
- 3 Select **"Parental Control"** (←/→ then **ENTER**).
- 4 Select **"MPAA Ratings"** (↑/↓ then **ENTER**).
- 5 Select the desired rating and change the setting (↑/↓ then **ENTER**).



- The password entry screen appears. Enter your four-digit password using buttons **0** to **9**.
- Each time you press **ENTER**, the setting is switched.
- A lock icon appears beside the blocked rating.
- All the ratings have been unblocked before shipment.

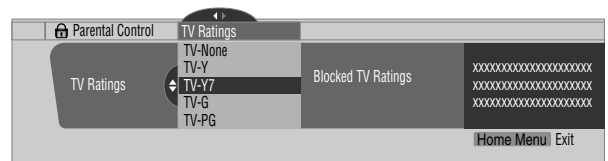
- 6 Press **HOME MENU** to exit the menu.

Note

- Blocking a rating causes more severe ratings to be automatically blocked as well. Likewise, unblocking a rating causes less severe ratings to be automatically unblocked.

Setting the TV ratings

- 1 Press **HOME MENU**.
- 2 Select **"Tuner Setup"** (↑/↓ then **ENTER**).
- 3 Select **"Parental Control"** (←/→ then **ENTER**).
- 4 Select **"TV Ratings"** (↑/↓ then **ENTER**).
- 5 Select the desired rating and change the setting (↑/↓ then **ENTER**).



- The password entry screen appears. Enter your four-digit password using buttons **0** to **9**.
- Each time you press **ENTER**, the setting is switched.
- A lock icon appears beside the blocked rating.
- All the ratings have been unblocked before shipment.

We suggest you write down your password so you don't forget it.

PDP-6010FD/PDP-5010FD
Your password No.:



If you forget the password

When the message "Enter your Password" is displayed in step 6 under "Clearing the password", press the **ENTER** button on the remote control unit and hold it down for three seconds or longer. The password reverts to "1234".

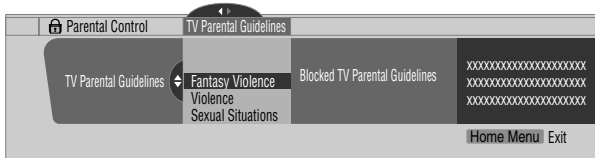
6 Press HOME MENU to exit the menu.

Note

- Blocking a rating causes more severe ratings to be automatically blocked as well. Likewise, unblocking a rating causes less severe ratings to be automatically unblocked.

Setting the TV Parental Guidelines (TV Guidelines)

- Press HOME MENU.
- Select "Tuner Setup" (▲/▼ then ENTER).
- Select "Parental Control" (←/→ then ENTER).
- Select "TV Parental Guidelines" (▲/▼ then ENTER).
- Select the desired rating and change the setting (▲/▼ then ENTER).



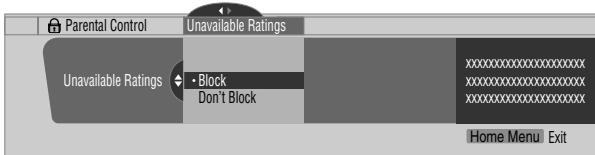
- The password entry screen appears. Enter your four-digit password using buttons **0** to **9**.
- Each time you press **ENTER**, the setting is switched.
- A lock icon appears beside the blocked rating.
- All the ratings have been unblocked before shipment.

6 Press HOME MENU to exit the menu.

Blocking Not Rated TV programs

Use the following procedure to block TV programs whose rating information is unavailable.

- Press HOME MENU.
- Select "Tuner Setup" (▲/▼ then ENTER).
- Select "Parental Control" (←/→ then ENTER).
- Select "Unavailable Ratings" (▲/▼ then ENTER).
- Select "Block" or "Don't Block" (▲/▼ then ENTER).



- The password entry screen appears. Enter your four-digit password using buttons **0** to **9**.
- The factory default is "Don't Block".

6 Press HOME MENU to exit the menu.

Canadian rating systems

In Canada you can choose the Canadian English ratings or the Canadian French ratings. These ratings are based on the Canadian Radio-Television and Telecommunications Commission (CRTC) policy.

Canadian English ratings

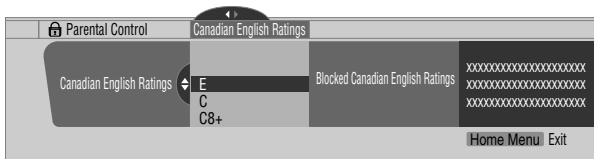
Rating	Description
E	Exempt: Includes news, sports, documentaries and other information programming; talk shows, music videos, and variety programming.
C	Children: Intended for younger children under the age of eight years. Pays careful attention to themes that could threaten their sense of security and well-being.
C8+	Children over eight years old: Contains no portrayal of violence as the preferred, acceptable, or only way to resolve conflict; nor encourages children to imitate dangerous acts which they may see on the screen.
G	General: Considered acceptable for all age groups. Appropriate viewing for the entire family, contains very little violence, physical, verbal or emotional.
Age-Base PG	Parental Guidance: Intended for a general audience, but may not be suitable for younger children (under the age of eight) because it could contain controversial themes or issues.
14+	Over 14 Years: Could contain themes where violence is one of the dominant elements of the storyline, but it must be integral to the development of plot or character. Language usage could be profane and nudity present within the context of the theme.
18+	Adults: Intended for viewers 18 years and older and might contain depictions of violence, which while related to the development of plot, character or themes, are intended for adult viewing. Could contain graphic language and portrayals of sex and nudity.

Canadian French ratings

Rating	Description
E	Exempt programming.
G	General: All ages and children, contains minimal direct violence, but may be integrated into the plot in a humorous or unrealistic manner.
8ans+	General but inadvisable for young children: May be viewed by a wide public audience, but could contain scenes disturbing to children under eight who cannot distinguish between imaginary and real situations. Recommended for viewing with parent.
13ans+	Over 13 years: Could contain scenes of frequent violent scenes and therefore recommended for viewing with parent.
16ans+	Over 16 years: Could contain frequent violent scenes and intense violence.
18ans+	Over 18 years: Only for adult viewing. Could contain frequent violent scenes and extreme violence.

Setting Canadian English ratings

- 1 Press HOME MENU.
- 2 Select "Tuner Setup" (↑/↓ then ENTER).
- 3 Select "Parental Control" (←/→ then ENTER).
- 4 Select "Canadian English Ratings" (↑/↓ then ENTER).
- 5 Select the desired rating and change the setting (↑/↓ then ENTER).



- The password entry screen appears. Enter your four-digit password using buttons 0 to 9.
- Each time you press ENTER, the setting is switched.
- A lock icon appears beside the blocked rating.
- All the ratings have been unblocked before shipment.

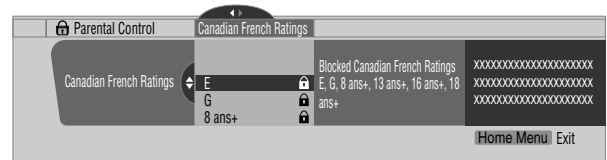
- 6 Press HOME MENU to exit the menu.

Note

- Blocking a rating causes more severe ratings to be automatically blocked as well. Likewise, unblocking a rating causes less severe ratings to be automatically unblocked.

Setting Canadian French ratings

- 1 Press HOME MENU.
- 2 Select "Tuner Setup" (↑/↓ then ENTER).
- 3 Select "Parental Control" (←/→ then ENTER).
- 4 Select "Canadian French Ratings" (↑/↓ then ENTER).
- 5 Select the desired rating and change the setting (↑/↓ then ENTER).



- The password entry screen appears. Enter your four-digit password using buttons 0 to 9.
- Each time you press ENTER, the setting is switched.
- A lock icon appears beside the blocked rating.
- All the ratings have been unblocked before shipment.

- 6 Press HOME MENU to exit the menu.

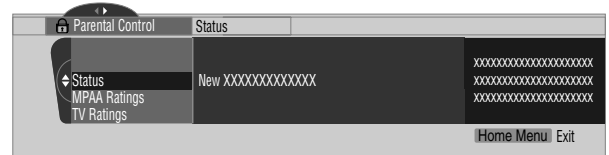
Note

- Blocking a rating causes more severe ratings to be automatically blocked as well. Likewise, unblocking a rating causes less severe ratings to be automatically unblocked.

Setting new ratings

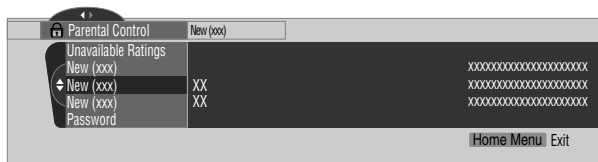
Digital broadcasts are now carrying new ratings that are not compatible with the plasma display's original Parental Control settings. When you first tune in one of these broadcasts, a New Parental Control menu appears on the screen. This tells you that you must now change your Parental Control settings to handle these new ratings. Otherwise, ratings you had previously blocked may become unblocked.

- 1 Press HOME MENU.
- 2 Select "Tuner Setup" (↑/↓ then ENTER).
- 3 Select "Parental Control" (←/→ then ENTER).



- The new menu is displayed when Status is selected and the message "Regional ratings have changed. Set Parental Control ratings again." appears on the right of the screen.

- 4 Select the desired rating and change the setting (↑/↓ then ENTER).



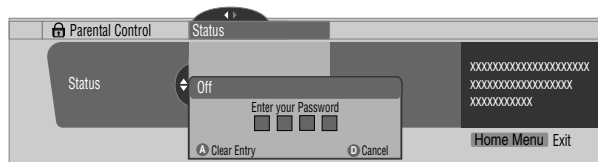
- The menu is added between “Unavailable Ratings” and “Password”.
- The password entry screen appears. Enter your four-digit password using buttons **0** to **9**.
- Each time you press **ENTER**, the setting is switched.
- A lock icon appears beside the blocked rating.
- When you are finished, the word “New” disappears from the Parental Control menu.

- 5 Press HOME MENU to exit the menu.

Deleting new ratings

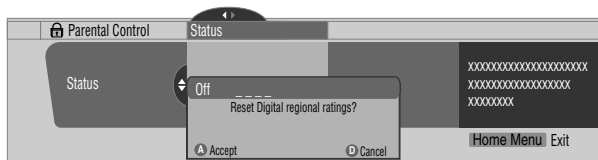
You can delete a New Parental Control menu. When deleted, the past blocking settings you had entered are also cleared and removed from the menu.

- 1 Press HOME MENU.
- 2 Select “Tuner Setup” (↑/↓ then ENTER).
- 3 Select “Parental Control” (←/→ then ENTER).
- 4 Select “Status” and then “Off” (↑/↓ then ENTER).



- The password entry screen appears. Enter your four-digit password using buttons **0** to **9**.

- 5 Select A for “Accept” or D for “Cancel”.



- The New Parental Control menu remains, however, when the selection screen for deleting new ratings disappears in approximately 60 seconds after no settings are entered.

- 6 Press HOME MENU to exit the menu.



Note

- While the Parental Control menu is opened, the status display remains unchanged even if the system had received broadcasts carrying new ratings.
- Blocking a rating causes more severe ratings to be automatically blocked as well. Likewise, unblocking a rating causes less severe ratings to be automatically unblocked.

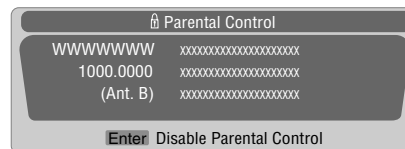
Temporarily deactivating the Parental Control

When the Parental Control is working and senses a blocked TV program (or content), the plasma display shows nothing but a message.

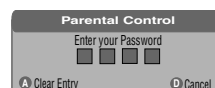
The method for temporarily deactivating the Parental Control differs, depending on the currently selected input source.

Antenna A or antenna B:

The following screen appears. Press **ENTER**.



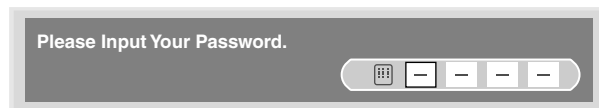
Enter your four-digit password.



- The password entry screen stays only for one minute. After the screen disappears, pressing **ENTER** causes it to appear again.

INPUT 1 to INPUT 3:

Enter your four-digit password. You need not press **ENTER** first; pressing **ENTER** causes the password entry screen to disappear.

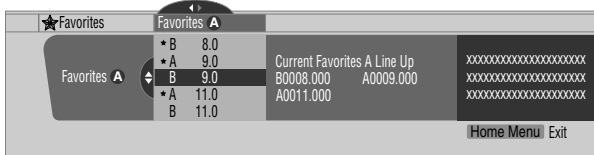


- The above password entry screen will also be shown during 2-screen, picture-in-picture, and while freezing an image.
- The password entry screen stays only for one minute. After the screen disappears, pressing **ENTER** causes it to appear again.
- A password entry screen is displayed if you select “Block” in “Unavailable Ratings” for INPUT 4 to INPUT 7.

Setting your favorite channels

Set up to 10 TV channels to each of the four color buttons on the remote control unit (40 channels in total). You can then quickly select from only your favorite channels.

- 1 Press HOME MENU.
- 2 Select "Tuner Setup" (↑/↓ then ENTER).
- 3 Select "Favorites" (←/→ then ENTER).
- 4 Select a color button (A, B, C, D) (↑/↓ then ENTER).
- 5 Select a TV channel to be registered (↑/↓ then ENTER).



- A star appears beside the favorite channels currently selected.
- To register another TV channel under the same color button, repeat step 5. To register another TV channel under a different color button, repeat steps 4 and 5.

- 6 Press HOME MENU to exit the menu.

Setting up closed captions

Your plasma display is equipped with an internal closed caption decoder. Closed caption allows you to view conversations, narration, and sound effects in TV programs and home videos as subtitles on your plasma display screen.

You may enjoy digital closed captions when watching digital TV programs. Digital closed captions allow you to change parameters such as fonts and colors.

- Not all programs and videos offer closed caption. Please look for the "CC" symbol to ensure that captions will be shown.

Activating the closed caption

- 1 Press HOME MENU.
- 2 Select "Tuner Setup" (↑/↓ then ENTER).
- 3 Select "Closed Captions" (←/→ then ENTER).
- 4 Select "Status" (↑/↓ then ENTER).
- 5 Select "On" or "On If Mute" (↑/↓ then ENTER).



Item	Description
Off (default)	Does not show closed captions
On	Always shows closed captions
On If Mute	Shows closed captions only while sound is being muted

- 6 Press HOME MENU to exit the menu.

Selecting the type of conventional closed captions

Select the type of conventional closed captions that you will watch after tuning to a conventional TV channel. This selection also becomes effective when a selected digital TV program provides only conventional closed captions.

- "CC 1", "CC 2", "CC 3", or "CC 4" displays subtitles of TV dramas and news programs while allowing a full view of the picture.
- "Text 1", "Text 2", "Text 3", or "Text 4" superimposes on the picture other information (e.g. TV guide, weather) that is independent of the TV program in progress.

- 1 Press HOME MENU.
- 2 Select "Tuner Setup" (↑/↓ then ENTER).
- 3 Select "Closed Captions" (←/→ then ENTER).
- 4 Select "Analog Settings" (↑/↓ then ENTER).
- 5 Select the desired closed caption (↑/↓ then ENTER).



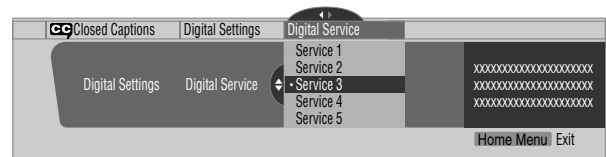
- The factory default is "CC 1".

- 6 Press HOME MENU to exit the menu.

Selecting digital closed captions

Use the following procedure to select digital closed captions: Service 1 to 6.

- 1 Press HOME MENU.
- 2 Select "Tuner Setup" (↑/↓ then ENTER).
- 3 Select "Closed Captions" (←/→ then ENTER).
- 4 Select "Digital Settings" (↑/↓ then ENTER).
- 5 Select "Digital Service" (↑/↓ then ENTER).
- 6 Select the desired closed caption (↑/↓ then ENTER).



- The factory default is "Service 1".

7 Press HOME MENU to exit the menu.

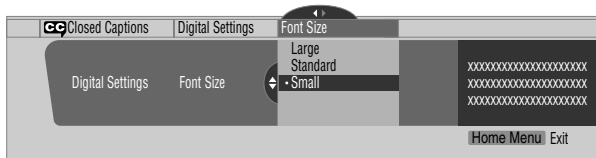
Note

- The Primary Caption Service is usually offered for Service 1, and the Secondary Language Service is usually offered for Service 2 if these services are available.

Selecting digital closed caption parameters

Use the following procedure to change such parameters of digital closed captions as font size, font type, foreground and background colors.

- 1 Press HOME MENU.
- 2 Select "Tuner Setup" (↑/↓ then ENTER).
- 3 Select "Closed Captions" (←/→ then ENTER).
- 4 Select "Digital Settings" (↑/↓ then ENTER).
- 5 Select "Font Size", "Font", or any other item (↑/↓ then ENTER).
- 6 Select the desired parameter (↑/↓ then ENTER).



- 7 Repeat steps 5 and 6 as necessary (←, ↑/↓).
- 8 Press HOME MENU to exit the menu.

The following table shows the parameters selectable for each item.

Item	Selection
Font Size	Auto/ Large/ Standard/ Small
Font ¹	Auto/ Font 1/ Font 2/ Font 3/ Font 4/ Font 5/ Font 6/ Font 7
Font Color	Auto/ Black/ White/ Red/ Green/ Blue/ Yellow/ Magenta/ Cyan
Font Opacity	Auto/ Solid/ Transparent/ Translucent/Flashing
Background Color	Auto/ Black/ White/ Red/ Green/ Blue/ Yellow/ Magenta/ Cyan
Background Opacity	Auto/ Solid/ Transparent/ Translucent

¹ Font 1 (monospaced with serifs)/ Font 2 (proportionally spaced with serifs)/ Font 3 (monospaced without serifs)/ Font 4 (proportionally spaced without serifs)/ Font 5 (casual font)/ Font 6 (cursive font)/ Font 7 (small capitals font)

With "Auto" selected, parameters specified by the provider are used; if not specified by the provider, the bolded default parameters are used. If you select parameters other than "Auto", the selected parameters are used regardless of the provider's specifications.

Clock Setting

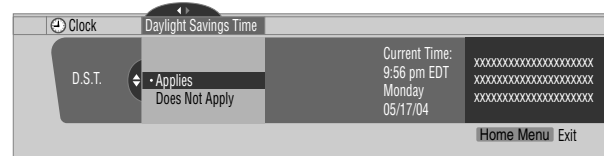
With "Auto Set" selected for Clock Setting, the system acquires and sets time information automatically. You can also manually set the correct time. If you disconnect the power cord from the power outlet or power blackout occurs, the set time is cleared.

- 1 Press HOME MENU.
- 2 Select "Tuner Setup" (↑/↓ then ENTER).
- 3 Select "Clock" (←/→ then ENTER).
- 4 Select "Time Zone" (↑/↓ then ENTER).
- 5 Select a time zone for your area (↑/↓ then ENTER).

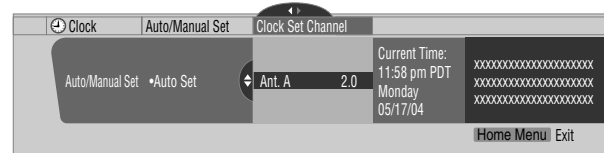


- 6 Select "D.S.T." (←, ↑/↓, then ENTER).
- 7 Select "Applies" or "Does Not Apply" (↑/↓ then ENTER).

- When you start "Daylight Savings Time" mode, select "Applies" for "D.S.T." and select "Does Not Apply" when you cancel it, otherwise the correct time will not be displayed regardless of the "Auto/Manual Set" setting.

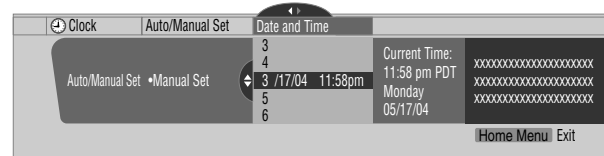


- 8 Select "Auto/Manual Set" (←, ↑/↓, then ENTER).
- 9 Select "Auto Set" or "Manual Set" (↑/↓ then ENTER).
- 10 If you select "Auto Set", select an antenna (A or B) and a channel number using ↑/↓ and ENTER.



- The date and time will be automatically corrected using data from the selected channel.

If you select "Manual Set", manually set the date and time using ↑/↓, ←/→ and ENTER.



- 11 Press HOME MENU to exit the menu.

Note

- If you setup the TV Guide On Screen™ system, the plasma display acquires clock information through the TV Guide On Screen™ system; in this situation you cannot set up the clock using the menu. If you select a parameter for the Clock menu and press ENTER, the menu screen disappears and a dialog box appears instead; press **A** to clear the dialog box.

Chapter 10

TV Guide On Screen™ System Operation

Using the TV Guide On Screen™ system

Before you can start using the TV Guide On Screen™ system, you'll need to set it up. If you haven't already done this, please turn to *TV Guide On Screen™ System Setup* on page 39 before proceeding.

Legal Notices

In the United States, TV Guide and other related marks are registered marks of Gemstar-TV Guide International, Inc. and/or one of its affiliates. In Canada, TV Guide is a registered mark of Transcontinental, Inc. and is used under license by Gemstar-TV Guide International, Inc.



Note

- The TV Guide On Screen™ interactive program guide provides listings for cable-ready and digital cable services as well as over-the-air broadcast. It does not provide listings for satellite services.
- Once you set up the TV Guide On Screen™ system it may take up to 24 hours to begin to receive TV program listings. Receipt of all eight days of listings may take up to one week.
- TV Guide may not be available in all areas. As content providers move to digital programming and broadcasting, TV Guide data may be unavailable or become unavailable.

Screen components

Many of the screens have common elements to make using the system easier.



- 1 TV GUIDE logo**
- 2 Clock** – Shows the current time.
- 3 Time slot** – Half-hour time slots are displayed horizontally.
- 4 Time tab** – Indicates the currently selected time slot.
- 5 Current service label** – Indicates the currently selected service.
- 6 Service bar** – Gives access to the various services of the Guide.
- 7 Title tile** – Shows the title of the TV program.
- 8 Info Bar** – Shows various icons to convey information or show the status of an item.
- 9 Video window** – Allows you to continue watching the current program while using the Guide or to view the program selected in the listings.
- 10 Panel ads and panel menu entry** – Space for show or product advertising (and the panel menu).

11 Channel logo & number – Identifies network and channel number

12 Info Box – Shows information about the highlighted item.

13 Highlight – Indicates an active file, from which you can set reminder, display a menu, etc.

TV Guide On Screen™ icons

Various icons are used to convey information or show the status of an item. You will locate these icons on the Info Bar, inside the Info Box, or beside program titles.

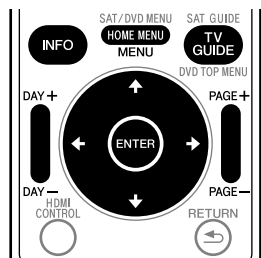
- **Info icon** – Additional information is available; press the **INFO** button to display.
- **Progress Bar** – Shows the elapsed time of the current program.
- **HDTV** – Indicates that a program is a high-definition broadcast.
- **New** – The program is new (not a repeat).
- **Stereo** – The program is broadcast in stereo.
- **CC** – The program is broadcast with closed captioning.
- **TV 14** **TV Rating** – Indicates the age rating for the program.
- **Remind Once** – One-time only reminder
- **Remind Daily** – Reminds for the same channel and time every Monday through Friday (manual reminder only).
- **Remind Regularly** – Reminds the same program any day it airs on the same channel at the same time.
- **Remind Weekly** – Reminds every week at the same time/day.
- **Remind Off** – The program remains in the **SCHEDULE** list, but will not remind until the frequency is changed to one of the above.

TV Guide On Screen™ navigation

The table below shows a summary of the remote buttons you'll use to navigate the TV Guide On Screen™ system.

Key	What it does
TV GUIDE	Press to display the TV Guide On Screen™ system (also use to exit).
↑/↓/←/→	Use to navigate screens (highlight an item).
ENTER	Press to confirm a selection or execute an action. Can also be used to display the panel menu when a future program is highlighted.
MENU	Press to display a panel menu.
INFO	Press to cycle through the available information for the current program or screen.
Number buttons	Use for numeric entry.
PAGE +/-	Press to select the previous/next page of information (where applicable).
DAY +/-	Press to jump to the next/previous day of program listings (if applicable).

You can also use the **TV GUIDE**, **ENTER**, **UP/DOWN**, and **LEFT/RIGHT** buttons on the plasma display. The **UP/DOWN** and **LEFT/RIGHT** buttons operate the same as the **↑/↓** and **←/→** buttons on the remote control unit.



The Listings screen

You can consider the Listings screen as the “home” screen of the TV Guide On Screen™ system. This is the screen you see when you press **TV GUIDE**.

From the Listings screen you can:

- View eight days of program listings.
- Display information about individual programs.
- Select a program to start watching.
- Set a program to remind.
- See a thumbnail display of any channel in the video window.
- Access panel and channel ads.

1 Press TV GUIDE to display the Listings screen.



- With “LISTINGS” highlighted in the Service bar at the top of the screen, press **INFO** to display (and then close) Help information.
- Press **TV GUIDE** anytime to exit.

2 Press ↑/↓/←/→ to navigate the Listings screen.

- With a currently showing program highlighted, press **ENTER** to start watching.
- Move right for later time slots.
- Press **PAGE +/-** to scroll one vertical screen at a time.
- Press **INFO** to display additional information (if available) about the currently selected program.
- Press **DAY +/-** to jump to the next/previous day in the listings grid.

Setting program reminders

By setting a program reminder you can have the TV alert you when a program is about to start on another channel. You can set reminders for individual episodes of a program, or every time a program airs.

1 From LISTINGS, SCHEDULE or SEARCH, highlight the program for which you want to set a reminder.



2 Press MENU to display the Episode Options menu.



3 Highlight “set reminder” and press ENTER.

4 Set the reminder options:

Press **▲/▼** to highlight a field; press **◀/▶** to change the setting.

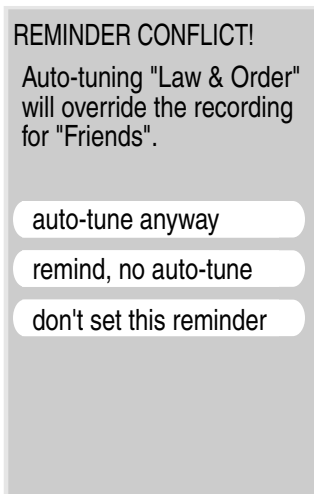
- **frequency** – select whether to be reminded just **Once**, **Regularly** (at the same time on the same channel), or **Weekly** (every week at the same time/day). There’s also an **Off** option which puts the program in the reminder schedule but no reminder is given (you can set it to remind later).
- **auto tune** – choose whether or not the TV should automatically change channels when a reminder is due.
- **when** – set when the reminder is displayed (before, on time, or after a program has started).

5 Once all the settings have been made, press ENTER to highlight “schedule reminder”, then press ENTER again.



- The reminder is now set (and will appear in SCHEDULE) and the appropriate icon appears on the program tile.

If there is a time conflict with a previously scheduled auto-tune reminder, you will be alerted to this. You can select to set a reminder for the conflicting program, or cancel the reminder. The following screens appear depending on whether it will override a scheduled reminder.



When scheduled reminder is due (auto-tune is OFF)

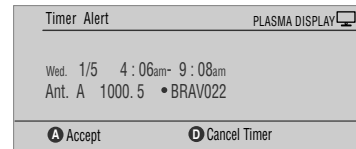
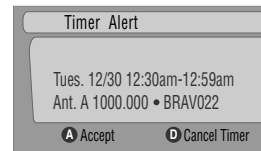
Depending on the settings you made, your program reminder will appear on your TV screen around the time the program is scheduled to start. This happens when you have selected “NO” for the auto tune. The reminder will remain on-screen for three minutes before it automatically disappears.

Press **ENTER** to tune to the highlighted program in the reminder; or highlight “hide reminders” to dismiss the reminder.



If more than one reminder is set for the same time, select the program you want by pressing **▲/▼**.

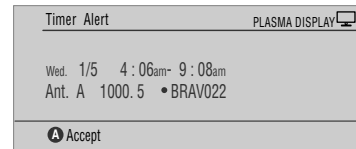
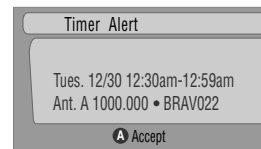
Depending on the situation, the following screens will appear. In this case, the reminder will remain on-screen for 15 seconds before it automatically disappears.



Press **A** to leave the reminder effective, or **D** to dismiss the reminder.

When scheduled reminder is due (auto-tune is ON)

If the “auto-tune” setting was set to “yes” in the Remind Options, one of the following screens appears, depending on the situation. The screen will remain for 15 seconds before it automatically disappears.



Press **A** to make the Timer Alert screen disappear.

Searching for programs

The Search screen lets you search for programs alphabetically, by category or by keyword. You can also search for HDTV programs.

Searching by category

Here you can search for programs by category, and then by a further sub-category if you want.

- 1 Select "SEARCH" from the Service bar at the top of the screen.
- 2 Press **↓** to move to the search category bar, then press **←/→** to select a search category.



- Available categories may include:
 - Movies
 - Sports
 - Children
 - Educational
 - News
 - Variety
 - Series
 - HDTV

- 3 Press **↓** to move to the search sub-categories and select the sub-category you want.



- The sub-categories available depend on the category you chose in the last step.

- 4 Press **ENTER** to display a listing of upcoming programs that match the categories you chose.



- 5 Highlight a program listing and press **MENU** to display the Episode Options panel menu.



- If the program listing is a program now being broadcast you can press **ENTER** to start watching it immediately.

Searching by keyword

Here you search for shows based on keywords you enter. The keywords you create are stored so you can use them again in the future.

- 1 Select "SEARCH" from the Service bar at the top of the screen.
- 2 Press **↓** to move to the search category bar, then press **←/→** to select "KEYWORD".



- If you already entered any keywords, they are displayed. Just select one if you want to search for it again.
- To edit or delete one of the displayed keywords, highlight it and then press **MENU**. From the panel menu you can choose "edit search" or "delete search".

- 3 Press **ENTER** to display the Keyword Search menu.



- 4 Select "new search".
- 5 If you want to change the category, move up and select the category you want.
 - To search using only the keyword, leave the category set to "All".
 - If you select a category ("HDTV", for example) then you'll only see programs in that category that also match the keyword.
- 6 Highlight "enter keyword" and press **ENTER**.

- 7 Input the keyword for the search.



- Highlight characters by pressing **↑/↓/←/→**, then pressing **ENTER** to input them.
- The keyword you input is stored so that you can use it again whenever you need it.

- 8 Select "DONE" to start the search.
- 9 Highlight a program listing, then press **MENU** to display the Episode Options panel menu.



- If the program listing is a program now being broadcast you can press **ENTER** to start watching it immediately.

Alphabetical search

This search is designed to display all programs that start with a particular letter.

- 1 Select "SEARCH" from the Service bar at the top of the screen.
- 2 Press **↓** to move to the search category bar, then press **←/→** to select "ALPHABETICAL".



- 3 Press **ENTER**.
- 4 Select a letter, then press **ENTER** to display all programs starting with that letter.
- 5 Highlight a program listing and press **MENU** to display the Episode Options panel menu.



- If the program listing is a program now being broadcast you can press **ENTER** to start watching it immediately.

The search Episode Options menu

From the Episode Options menu you can select:

- **go to Service bar** – closes the panel menu and returns to the Service bar at the top of the screen.
- **tune to channel / watch now** – exits the TV Guide On Screen™ guide and tunes to the channel.
- **set reminder** – goes to the Remind Options menu.
- **cancel** – closes the panel menu and returns to the highlighted program listing.

Navigation and search tips

- The **▲/▼** buttons move the highlight between options in the panel menu. Use the number buttons to input information.
- If a highlighted field has arrows on either side, press **◀/▶** to cycle through the options.
- Press **ENTER** on any option to highlight the default command (e.g., **Done**), then press **ENTER** again to execute and close the panel menu.
- Select **Cancel** and press **ENTER** to close the panel menu and return to the previous screen, or press **MENU** to cancel any changes and close the menu.

Scheduling reminders

From the Schedule area you can review, edit or delete reminders.

- 1 Select **“SCHEDULE”** from the Service bar at the top of the screen.



A list of programs that have reminder events scheduled appears. The icons on the right side indicate the status of the events.

- **Once** – only reminder
- **Daily** – Reminds for the same channel and time every Monday through Friday (manual reminder only)
- **Regularly** – Reminds the same program any day it airs on the same channel at the same time¹.
- **Weekly** – reminder (every week at the same time/day)
- **Off** – The program remains in the SCHEDULE list, but will not remind until the frequency is changed to one of the above.

¹ The reminder will still appear if the program starts any time up to the midway point of the original schedule. For example, up to 9:15 for a 9:00 to 9:30 program.

- 2 Highlight a program in the list and press **MENU** to display the Schedule Options panel menu.



- When you highlight a program in the list you'll see information related to that program appear in the Info Box.

Using the reminder To Do list

The To Do screen lists scheduled events with an icon that identifies the event type. From the To Do screen you can review, edit, or delete reminder events that you previously set. You can sort the scheduled events by date, title, or event type. You can also schedule a manual reminder.

The Schedule Options menu

The Schedule Options menu is accessible by pressing **MENU** when either "SCHEDULE" is highlighted in the Service bar, or a program is highlighted.

When "SCHEDULE" is highlighted in the service bar:

- **go to Service Bar** – closes the panel menu and returns to the Service bar at the top of the screen.
- **sort by** – select a sort order for the program listings.
- **new manual reminder** – select and then fill in all the necessary fields to set the reminder. Select "schedule reminder" when you're done to save and exit, or select "cancel" to exit without saving.
- **done** – closes the panel menu and returns to the Service bar at the top of the screen.
- **cancel** – closes the panel menu without saving any changes and returns to the Service bar at the top of the screen.

When a program is highlighted:

- **go to Service Bar** – closes the panel menu and returns to the Service bar at the top of the screen.
- **watch now** – start watching the selected program (this option is "tune to channel" for a program that isn't showing now).
- **cancel** – closes the panel menu and returns to the highlighted program listing.

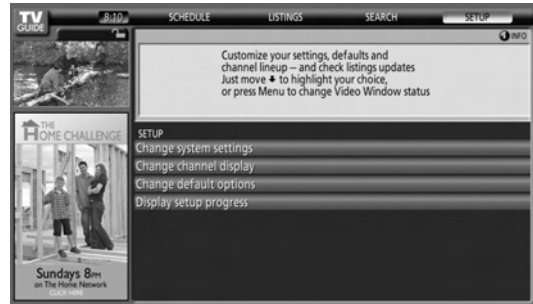
For reminder:

- **delete reminder** – remove the reminder from the schedule (requires confirmation).
- **edit reminder** – edit the reminder settings (opens the Remind Options menu).

Changing setup options

You can change TV Guide On Screen™ settings from the Setup menu. Setup options are divided into three categories: system settings, channel display, default options, and display setup progress.

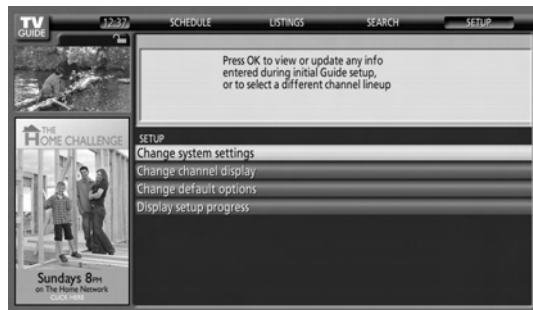
- 1 Select "SETUP" from the Service bar at the top of the screen.



Changing the system settings

The system settings include your ZIP/postal code and your cable TV setup.

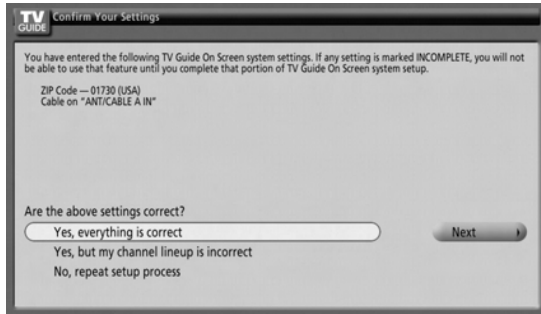
- 1 Highlight the "Change system settings" item.



As you highlight an option you can see the settings you can adjust in that area:

- **System settings** – ZIP/postal code, cable setup, etc.
- **Channel display** – Channel position, tuning channel, display on/off, etc.
- **Default options** – General and reminder defaults
- **Display setup progress** – Status of various Guide setup functions

- 2 Press ENTER to display the current settings and the options to change them.



- 3 Select one of the options, then follow the on-screen instructions.

- Yes, everything is correct: displays a helpful information screen. Press **ENTER** to quit the TV Guide On Screen™.
- Yes, but my channel lineup is incorrect: displays a screen from which you may choose the correct channel lineup. Press **ENTER** to display the Channel Editor screen.
- No, repeat setup process: displays screen 1 shown on page 40.

Changing the channel display settings

From the channel display settings you can set/change:

- the display setting to always display (On), never display (Off), or display only when channel information is available (Auto Hide)
- the tuned channel number
- the channel position in the channel listing

- 1 Highlight the "Change channel display" item.



- 2 Press ENTER to display the channel editor.



- 3 Press **↑/↓** to highlight a channel then press **ENTER** to go to the Grid Options menu.



From the Grid Options menu you can set:

- **channel** – On (display in channel list), Off (don't display) or Auto Hide (hide when no program information is available)
 - **tune channel** – the channel number that the channel listing is tuned to
 - **position** – place that the channel appears in the channel list
 - **Re-sort numerically** to change the channel order in the Listings service (and Channel Editor) to numeric
 - **Undo all changes** to reset all the Channel Editor options (and Listings display) to their original (factory) settings
- 4 When you've made all the settings you want for the channel, highlight "done" then press **ENTER**.
- To cancel without saving any of the changes you made, select "cancel".

Changing the default options

This is the place to change the default settings for reminders and other general settings.

1 Select the “Change default options” item.



2 Select one of the two default option categories.

A different panel menu appears for each option:

General default options

- **Info Box size upon entering the Guide**
 - Small
 - Large
 - No
 - Last used (default)
- **Info Box position**
 - Float
 - Top (default)
- **Video Window status**
 - Locked (default)
 - Unlocked
- **Channel ID in Listings**
 - Logo
 - Number
 - Both (default)
- **Auto guide (whether Guide appears automatically when the unit is powered On)**
 - On
 - Off (default)

Remind defaults

- **auto tune** – automatically tunes to the correct channel when a reminder becomes due (Yes or No)
- **when** – when to display the reminder (15 minutes early to 15 minutes late, or On time)

3 When you’ve made all the settings you want, highlight “done” then press ENTER.

- To cancel without saving any of the changes you made, select “cancel”.

Displaying setup progress

Display setup progress lets you verify the status of the various Guide setup functions. This screen also appears when you enter the Guide prior to receiving the complete channel lineup.



Chapter 11

Adjustments and Settings

AV Selection

Select from the six viewing options, depending on the current environment (e.g., room brightness), the type of the current TV program, or the type of images input from external equipment.

1 Press AV SELECTION.

- The current AV Selection mode appears.

2 Press AV SELECTION again before the displayed mode disappears.

- For AV source, the mode is switched in this order; OPTIMUM, STANDARD, DYNAMIC, MOVIE, GAME, then USER.
- For PC source, the mode is switched between STANDARD and USER.

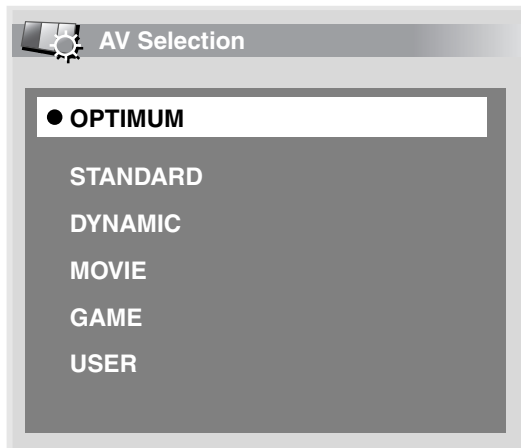
You can also use the menu to change the options.

1 Press HOME MENU.

2 Select "Picture" (▲/▼ then ENTER).

3 Select "AV Selection" (▲/▼ then ENTER).

4 Select the desired option (▲/▼ then ENTER).



For AV source

Item	Description
OPTIMUM	Automatically adjusts the brightness of the image to the optimum level in accordance with the brightness level of the viewing area. This selection is shared by the external input and TV input sources.
STANDARD	For a highly defined image in a normally bright room. This selection is shared by the external input and TV input sources.
DYNAMIC	For a very sharp image with maximum contrast. This mode does not allow manual image quality adjustment. This selection is shared by the external input and TV input sources.
MOVIE	For movies. This selection is shared by the external input and TV input sources.
GAME	Lowers image brightness for easier viewing. This selection is shared by the external input and TV input sources.
USER	Allows you to customize settings as desired. You can set the mode for each input source.

For PC source

Item	Description
STANDARD	For a highly defined image in a normally bright room
USER	Allows you to customize settings as desired. You can set the mode for each input source.

5 Press HOME MENU to exit the menu.

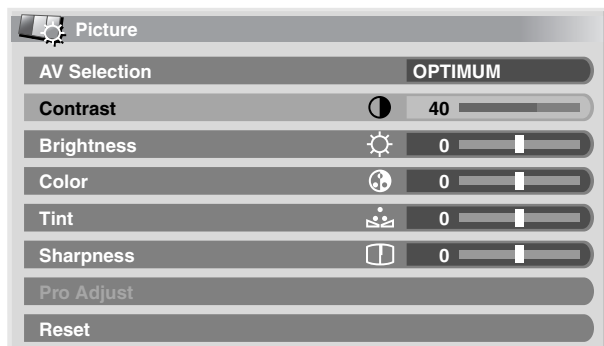
Note

- You can also press **AV SELECTION** on the remote control unit to switch the viewing option.
- If you have selected "DYNAMIC", you cannot select "Contrast", "Brightness", "Color", "Tint", "Sharpness", "Pro Adjust" and "Reset"; these menu items are dimmed.
- If you have selected "OPTIMUM", you cannot select "Pro Adjust"; menu items in "Pro Adjust" are dimmed.
- To prevent the screen from damage, you can freely change the AV selection mode while enjoying the Home Gallery function. However, when you resume the Home Gallery after having quit it, "STANDARD" is automatically selected for the AV source.
- While enjoying the Home Gallery, you can freely change the AV selection mode, but you cannot select "USER".
- As the OPTIMUM function automatically optimizes image quality, the process in which image settings such as brightness and tint gradually change may be seen on the screen. This is not a malfunction.
- When "OPTIMUM" is selected, images are reproduced based on the information collected at the Room Light Sensor as well, regardless of its setting ("On" or "Off") for the "Option" menu.

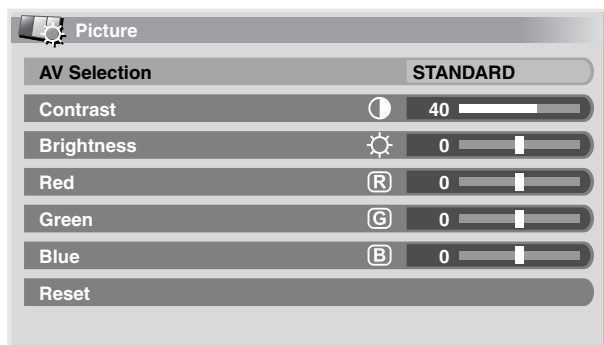
Basic picture adjustments

Adjust the picture to your preference for the chosen AV Selection option (except DYNAMIC).

- 1 Press HOME MENU.
- 2 Select "Picture" (▲/▼ then ENTER).
- 3 Select an item to be adjusted (▲/▼ then ENTER).



For PC source, the following screen appears:



- 4 Select the desired level (◀/▶).



- When an adjustment screen is displayed, you can also change the item to be adjusted, by pressing ▲/▼.

- 5 Press HOME MENU to exit the menu.

For AV source

Item	◀ button	▶ button
Contrast	For less contrast	For more contrast
Brightness	For less brightness	For more brightness
Color	For less color intensity	For more color intensity
Tint	Skin tones become purplish	Skin tones become greenish
Sharpness	For less sharpness	For more sharpness

For PC source

Item	◀ button	▶ button
Contrast	For less contrast	For more contrast
Brightness	For less brightness	For more brightness
Red	For weaker red	For stronger red
Green	For weaker green	For stronger green
Blue	For weaker blue	For stronger blue

Note

- To perform advanced picture adjustments, select "Pro Adjust" in step 3 and then press ENTER. For the subsequent procedures see *Advanced picture adjustments*.
- To restore the factory defaults for all items, press ▲/▼ to select "Reset" in step 3, and then press ENTER. A confirmation screen appears. Press ◀/▶ to select "Yes", and then press ENTER.
- You may experience a sudden change in the image position and screen brightness when you open the "Picture" menu.

Advanced picture adjustments

The plasma display provides various advanced functions for optimizing the picture quality. For details on these functions, see the tables.

Using PureCinema

- 1 Press HOME MENU.
- 2 Select "Picture" (▲/▼ then ENTER).
- 3 Select "Pro Adjust" (▲/▼ then ENTER).
- 4 Select "PureCinema" (▲/▼ then ENTER).
- 5 Select "Film Mode" or "Text Optimization" (▲/▼ then ENTER).
- 6 Select the desired parameter (▲/▼ then ENTER).
 - For the selectable parameters, see the table.

PureCinema

Automatically detects a film-based source (originally encoded at 24 frames/second), analyzes it, then recreates each still film frame for high-definition picture quality.

Film Mode	Off	Deactivates the PureCinema
	Standard	Produces smooth and vivid moving images (film specific) by automatically detecting recorded image information when displaying DVD or high-definition images (e.g., movies) having 24 frames per second
	Smooth	Produces smoother and more vivid moving images
	Advance	Produces smooth and quality moving images (as shown on theatre screens) by converting to 72 Hz when displaying DVD images (e.g., movies) having 24 frames per second
Text Optimization	Off	Deactivates Text Optimization
	On	Improves subtitle display quality

- 7 Press HOME MENU to exit the menu.

Note

- “Standard” is not selectable for the following input signals: 480p, 720p@60 Hz, 1080p@60 Hz.
- “Smooth” is not selectable for the following input signals: 1080p@60 Hz.
- “Advance” is not selectable for the following input signals: 1080p@60 Hz.
- When you select “On” for “Game Control Pref” on the “Option” menu, the “PureCinema” setting is disabled.

Using the Picture Detail

- 1 Press HOME MENU.
- 2 Select “Picture” (▲/▼ then ENTER).
- 3 Select “Pro Adjust” (▲/▼ then ENTER).
- 4 Select “Picture Detail” (▲/▼ then ENTER).
- 5 Select an item to be adjusted (▲/▼ then ENTER).
 - You can select “DRE Picture”, “Black Level”, “ACL”, “Enhancer Mode” or “Gamma”.
- 6 Select the desired parameter (▲/▼ then ENTER).

DRE Picture

Emphasizes the contrast on images so that the difference between brightness and darkness becomes more distinct

Selections	Off	Deactivates DRE Picture
	High	Enhanced DRE Picture
	Mid	Standard DRE Picture
	Low	Moderate DRE Picture

Black Level

Emphasizes dark portion on images so that the difference between brightness and darkness becomes more distinct

Selections	Off	Deactivates Black Level
	On	Activates Black Level

ACL

Performs such compensation that results in the optimum contrast characteristics for images

Selections	Off	Deactivates ACL
	On	Activates ACL

Enhancer Mode

Selects processing of the image’s high frequency (detailed) areas

Selections	1	Selects Hard (SHARPNESS) image
	2	Selects Natural (SHARPNESS) image
	3	Selects Soft (SHARPNESS) image

Gamma

Adjusts the gamma characteristics (image gradation characteristics)

Selections	1	Selects gamma characteristics 1
	2	Selects gamma characteristics 2
	3	Selects gamma characteristics 3

- 7 Press HOME MENU to exit the menu.

Using Color Temp

- 1 Press HOME MENU.
- 2 Select “Picture” (▲/▼ then ENTER).
- 3 Select “Pro Adjust” (▲/▼ then ENTER).
- 4 Select “Color Detail” (▲/▼ then ENTER).
- 5 Select “Color Temp” (▲/▼ then ENTER).
- 6 Select the desired parameter (▲/▼ then ENTER).

Color Temp

Adjusts the color temperature, resulting in a better white balance.

Selections	High	White with bluish tone
	Mid	Natural tone
	Low	White with reddish tone

- 7 Press HOME MENU to exit the menu.

Using CTI

- 1 Press HOME MENU.
- 2 Select “Picture” (▲/▼ then ENTER).
- 3 Select “Pro Adjust” (▲/▼ then ENTER).
- 4 Select “Color Detail” (▲/▼ then ENTER).
- 5 Select “CTI” (▲/▼ then ENTER).
- 6 Select the desired parameter (▲/▼ then ENTER).

CTI

Provides images with clearer color contours. The CTI stands for Color Transient Improvement.

Selections	Off	Deactivates CTI
	On	Activates CTI

- 7 Press HOME MENU to exit the menu.

Eliminating noise from images

- 1 Press HOME MENU.
- 2 Select “Picture” (▲/▼ then ENTER).
- 3 Select “Pro Adjust” (▲/▼ then ENTER).
- 4 Select “Noise Reduction” (▲/▼ then ENTER).
- 5 Select an item to be adjusted (▲/▼ then ENTER).
 - You can select “3DNR” or “Field NR”.
- 6 Select the desired parameter (▲/▼ then ENTER).

3DNR

Eliminates video noise for clean crisp images. 3DNR stands for 3-dimensional Noise Reduction.

Selections	Off	Deactivates 3DNR
	High	Enhanced 3DNR
	Mid	Standard 3DNR
	Low	Moderate 3DNR

Field NR

Removes glimmer for more natural images

Selections	Off	Deactivates Field NR
	High	Enhanced Field NR
	Mid	Standard Field NR
	Low	Moderate Field NR

7 Press HOME MENU to exit the menu.**Comparing picture adjustments on the screen**

During picture adjustments, you can quickly refer to the image previously set in the same parameter, allowing you to easily compare and select the preferred image quality.

- 1 Press HOME MENU.**
- 2 Select "Picture" (▲/▼ then ENTER).**
- 3 Select an item to be adjusted (▲/▼ then ENTER).**
- 4 While performing adjustment, press BLUE on the remote control unit.**

"Before" displays and the image adjusted last time appears for comparison.

Before

- 5 Press the button again to return to the newly adjusted image.**

Each press of the button toggles between "Before" and "After".

- 6 Repeat steps 1 and 5 for other parameters.**
- 7 Press HOME MENU to exit the menu.**

Caution

- If you exit the menu by pressing **HOME MENU** or no operation is performed for 60 seconds, all the parameter settings displayed last are stored in memory.
- If you want to exit the menu without performing the adjustments (or leaving the settings disabled) on the "After" screen, switch to "Before" and then exit.

Note

- You cannot adjust any item while on the "Before" screen. A warning message appears.
- When you switch to another parameter, make sure to change the display from "Before" to "After" first, otherwise you cannot select "Before". A warning message appears if you don't.
- If you exit the selection from the "Before" screen, the previous entry is stored in the memory and the button no longer works.
- If you exit the selection from the "After" screen, the new entry is stored in the memory and the button no longer works.
- If you move and change the "AV Selection" parameter, the new entry in the current parameter is stored in the memory and the button continues to work.
- You cannot compare images between different parameters on the "AV Selection" menu ("STANDARD" and "MOVIE", for example).

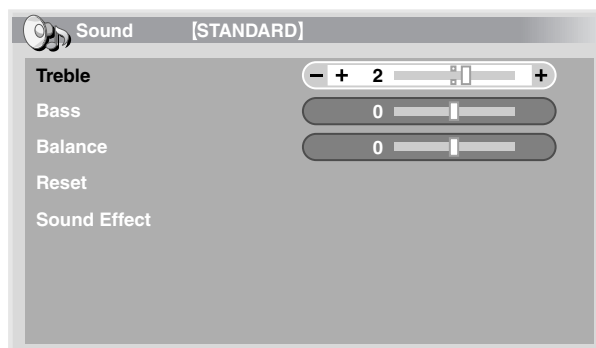
- When you select this function, "OPTIMUM" on the "AV Selection" menu and "Room Light Sensor" on the "Option" menu are set to off and image quality returns to default settings.
- This function is not selectable:
 - when you select "AV Selection",
 - when you select "Yes" or "No" on the confirmation screen for "Reset" from the "Picture" menu or
 - when you select a menu from the PC source

Sound adjustments

You can adjust the sound quality to your preference with the following settings.

Adjust the sound to your preference for the chosen AV Selection option. See page 60.

- 1 Press HOME MENU.**
- 2 Select "Sound" (▲/▼ then ENTER).**
- 3 Select an item to be adjusted (▲/▼).**
- 4 Select the desired level (←/→).**



Item	← button	→ button
Treble	For weaker treble	For stronger treble
Bass	For weaker bass	For stronger bass
Balance	Shifts the audio balance to the left	Shifts the audio balance to the right

- 5 Press HOME MENU to exit the menu.**

Note

- You cannot adjust the sound for listening with headphones.
- If you perform sound adjustments with headphones connected, the new settings will become effective as soon as you disconnect the headphones.
- To restore the factory defaults for all items, press ▲/▼ to select "Reset" in step 3, and then press **ENTER**. A confirmation screen appears. Press ←/→ to select "Yes", and then press **ENTER**.

Sound Effect

You can select from SRS FOCUS, SRS or SRS TruBass.

- 1 Press **HOME MENU**.
- 2 Select **"Sound"** (↑/↓ then **ENTER**).
- 3 Select **"Sound Effect"** (↑/↓ then **ENTER**).
- 4 Select **"SRS FOCUS"**, **"SRS"** or **"SRS TruBass"** (↑/↓).
- 5 Select the desired parameter (←/→).

SRS FOCUS

Selections	Off	Deactivates SRS FOCUS®
	On	Activates SRS FOCUS® Shifts the apparent direction of the sound upward for more clearly defined sound

SRS


Selections	Off	Deactivates SRS®
	On	Activates SRS® Reproduces highly effective three-dimensional sound

SRS TruBass

Selections	Off	Deactivates SRS TruBass®
	On	Activates SRS TruBass® Provides deep, rich bass using a new technology

- 6 Press **HOME MENU** to exit the menu.

Note

-  (WOW) denotes a status where SRS FOCUS®, SRS® and SRS TruBass® are on.
- You cannot adjust the sound effect for listening with headphones.
- If you change the sound effect with headphones connected, the new setting will become effective as soon as you disconnect the headphones.
- The effect of this function differs depending on signals.

Power Control

Power Control provides convenient functions for saving power.

Energy Save

You may use one of the three Energy Save modes to save power consumption.

- 1 Press **HOME MENU**.
- 2 Select **"Power Control"** (↑/↓ then **ENTER**).
- 3 Select **"Energy Save"** (↑/↓ then **ENTER**).
- 4 Select **"Mode 1"**, **"Mode 2"**, or **"Picture Off"** (↑/↓ then **ENTER**).

Item	Description
Off	Does not decrease picture brightness
Mode 1	Slightly lowers power consumption while slightly suppressing the brightness drop level
Mode 2	Decreases the picture brightness and lowers power consumption
Picture Off	Deactivates the screen to save power. To restore the screen display, press any button other than VOL +/- and MUTING . This setting is not memorized by the system.

- 5 Press **HOME MENU** to exit the menu.

Note

- When you change the Energy Save mode, you may notice a change in the panel sound. This is normal.
- Energy Save maintains efficiency of the screen for a long period of time by decreasing picture brightness and lowering power consumption. Setting Energy Save to "Mode 1" is recommended for increased efficiency.

No Signal off (AV source only)

The system will be automatically placed into the standby mode if no signal is received for 15 minutes.

- 1 Press **HOME MENU**.
- 2 Select **"Power Control"** (↑/↓ then **ENTER**).
- 3 Select **"No Signal off"** (↑/↓ then **ENTER**).
- 4 Select **"Enable"** (↑/↓ then **ENTER**).

Item	Description
Disable (default)	Does not place the system into the standby mode
Enable	Places the system into the standby mode if no signal is received for 15 minutes

- 5 Press **HOME MENU** to exit the menu.

Note

- Five minutes before the system is placed into the standby mode, a message appears every minute.
- The system may not be placed into the standby mode when noise signals are present at the plasma display after a TV program finishes.

Adjustments and Settings

No Operation off (AV source only)

The system will be automatically placed into the standby mode when no operation is performed for three hours.

- 1 Press **HOME MENU**.
- 2 Select **"Power Control"** (▲/▼ then **ENTER**).
- 3 Select **"No Operation off"** (▲/▼ then **ENTER**).
- 4 Select **"Enable"** (▲/▼ then **ENTER**).

Item	Description
Disable (default)	Does not place the system into the standby mode
Enable	Places the system into the standby mode if no operation is performed for three hours

- 5 Press **HOME MENU** to exit the menu.



Note

- Five minutes before the system is placed into the standby mode, a message appears every minute.

Power Management (PC source only)

The system will be automatically placed into the standby mode when no signal is received from the personal computer.

- 1 Press **HOME MENU**.
- 2 Select **"Power Control"** (▲/▼ then **ENTER**).
- 3 Select **"Power Management"** (▲/▼ then **ENTER**).
- 4 Select **"Mode 1"** or **"Mode 2"** (▲/▼ then **ENTER**).

Item	Description
Off (default)	No power management
Mode 1	<ul style="list-style-type: none"> • Places the system into the standby mode when no signal is received from the personal computer for eight minutes. • Even when you start using the computer and a signal is received again, the system stays off. • The system is switched on again by pressing STANDBY/ON on the plasma display or TV  on the remote control unit.
Mode 2	<ul style="list-style-type: none"> • Places the system into the standby mode when no signal is received for eight seconds. • When you start using the computer and a signal is received again, the system is switched on. • The system is switched on again by pressing STANDBY/ON on the plasma display or TV  on the remote control unit.

- 5 Press **HOME MENU** to exit the menu.

Note

- This function is not selectable when the PC is connected to the HDMI terminal.

Sleep Timer

When the selected time elapses, the Sleep Timer automatically places the system into the standby mode.

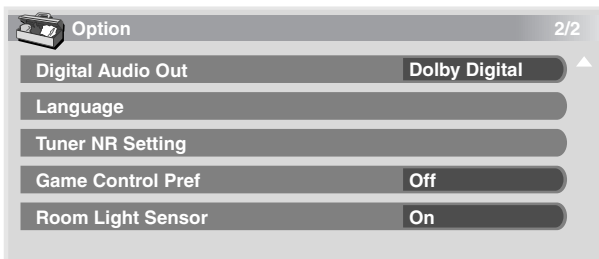
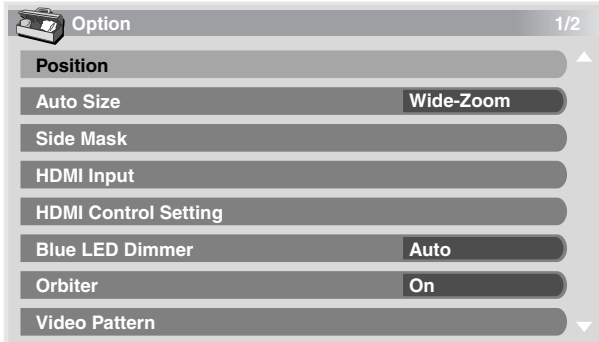
- 1 Press **HOME MENU**.
- 2 Select **"Sleep Timer"** (▲/▼ then **ENTER**).
- 3 Select the desired time (▲/▼ then **ENTER**).
Select "Off" (cancel), "30 min", "60 min", "90 min" or "120 min".
- 4 Press **HOME MENU** to exit the menu.

Note

- Five minutes before the selected time elapses, the remaining time appears every minute.
- To check the remaining time, perform steps 1 and 2. After checking the time, press **HOME MENU** to restore the previous display.
- The SLEEP indicator on the front of the plasma display lights orange when the sleep timer is set.

About "Option" menus

The "Option" menu consists of two screens. To select the desired menu, press \uparrow/\downarrow repeatedly to switch between Screen 1 and Screen 2. The current screen number appears at the top right corner on the screen.

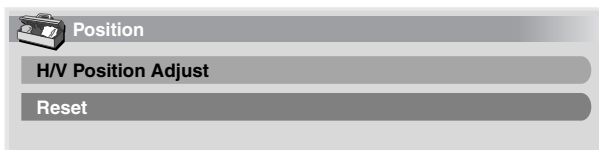


(For AV source)

Image position adjustment (AV source only)

Adjusts the horizontal and vertical positions of images on the plasma display.

- 1 Press HOME MENU.
- 2 Select "Option" (\uparrow/\downarrow then ENTER).
- 3 Select "Position" (\uparrow/\downarrow then ENTER).
- 4 Select "H/V Position Adjust" (\uparrow/\downarrow then ENTER).



- 5 Adjust the vertical position (\uparrow/\downarrow) or horizontal position (\leftarrow/\rightarrow).
- 6 Press HOME MENU to exit the menu.

Note

- To restore the factory defaults for all the items, press \uparrow/\downarrow to select "Reset" in step 4, and then press ENTER. A confirmation screen appears. Press \leftarrow/\rightarrow to select "Yes", and then press ENTER.
- Adjustments are stored separately for each input source.
- Depending on the displayed video, the image position may not change even after adjustment.
- When "Dot by Dot" is selected for the screen mode, the "Position" menu is dimmed.

Automatic image position and clock adjustments (PC source only)

Use Auto Setup to automatically adjust positions and clock of images coming from a personal computer.

- 1 Press HOME MENU.
- 2 Select "Option" (\uparrow/\downarrow then ENTER).
- 3 Select "Auto Setup" (\uparrow/\downarrow then ENTER).



- Auto Setup starts.

- 4 Press HOME MENU to exit the menu.

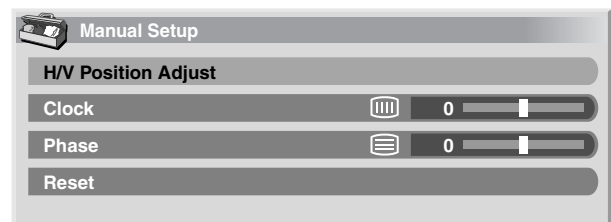
Note

- When Auto Setup is finished, "Auto Setup completed." appears.
- Even when "Auto Setup completed." appears, Auto Setup may have failed, depending on conditions.
- Auto Setup may fail with a PC image composed of similar patterns or monochrome. If not successful, change the PC image and try again.
- Be sure to connect the computer to the plasma display and switch it on before starting Auto Setup.
- Depending on the displayed video, the image position may not change even after adjustment.
- This function is not selectable when the PC is connected to the HDMI terminal.

Manual image position and clock adjustments (PC source only)

Usually you can easily adjust the positions and clock of images using Auto Setup. Use Manual Setup to optimize the positions and clock of images when necessary.

- 1 Press HOME MENU.
- 2 Select "Option" (\uparrow/\downarrow then ENTER).
- 3 Select "Manual Setup" (\uparrow/\downarrow then ENTER).
- 4 Select an item to be adjusted (\uparrow/\downarrow then ENTER).



- 5 Perform adjustment (\leftarrow/\rightarrow or \uparrow/\downarrow).
 - With "Clock" or "Phase" selected, you can change the parameter using \leftarrow/\rightarrow .
- 6 Press HOME MENU to exit the menu.

Adjustments and Settings

Note

- To restore the factory defaults for all the items, press **↑/↓** to select "Reset" in step 4, and then press **ENTER**. A confirmation screen appears. Press **←/→** to select "Yes", and then press **ENTER**.
- This function is not selectable when the PC is connected to the HDMI terminal.

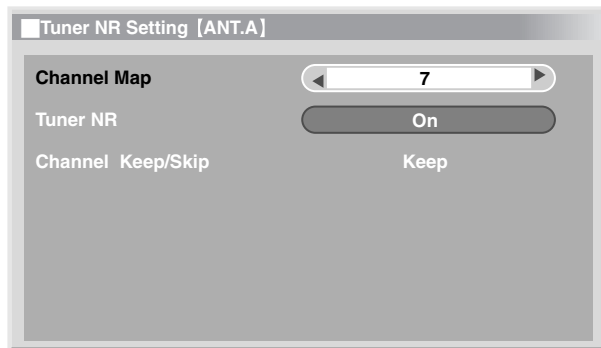
Reducing video noise

For the individual analog TV channels, you can specify whether the plasma display should reduce video noise depending on the levels of broadcasting signals.

- Press **HOME MENU**.
- Select **"Option"** (**↑/↓** then **ENTER**).
- Select **"Tuner NR Setting"** (**↑/↓** then **ENTER**).
- Select **"Channel Map"** (**↑/↓**).

You can select only analog channels set by the Auto Channel Preset or POD.

- Select **"Tuner NR"** (**↑/↓**).
- Select **"On"** (**←/→**).



Item	Description
On (default)	Activates Tuner NR
Off	Deactivates Tuner NR

- Press **HOME MENU** to exit the menu.

Note

- This function is only selectable when signals are received through ANT.A or ANT.B.
- The "Channel Keep/Skip" menu is not selectable. "Keep" or "Skip" is displayed when the setting in "Channel Map" is changed.
- This function may not achieve satisfactory results, depending on the conditions of broadcasting signals.

Selecting a game mode

When playing a game, you can use this function to establish a preference for image quality or operability.

- Press **HOME MENU**.
- Select **"Option"** (**↑/↓** then **ENTER**).
- Select **"Game Control Pref"** (**↑/↓** then **ENTER**).

- Select **"On"** or **"Off"** (**↑/↓** then **ENTER**).

Item	Description
On	Establishes a preference for operability
Off	Establishes a preference for image quality

- Press **HOME MENU** to exit the menu.

Note

- The "Game Control Pref" is only available when using an external input (except a PC source) and "GAME" is selected in "AV Selection".
- The "Game Control Pref" options are not effective when PC signals are received (when a PC source menu is displayed on the screen).
- The "On" setting is not effective when freezing images or in the multiscreen mode.

Selecting a screen size manually

In single-screen mode, press **SCREEN SIZE** to change the size of the screen from among the selectable options for the type of video signals currently received.

- The selectable screen sizes differ depending on the types of input signals.

AV source

Item	Description
4:3	For 4:3 "standard" pictures. A side bar appears on each side
WIDE	In this mode pictures are progressively stretched toward each side of the screen
FULL	For 16:9 squeezed pictures
Dot by Dot	Matches input signal to the same number of screen pixels (selectable for 1080i or 1080p signals only)
ZOOM	For 16:9 letterbox pictures. Bars may appear on the top and bottom on some programs
CINEMA	For 14:9 letterbox pictures. Bars may appear on the top and bottom on some programs

PC source

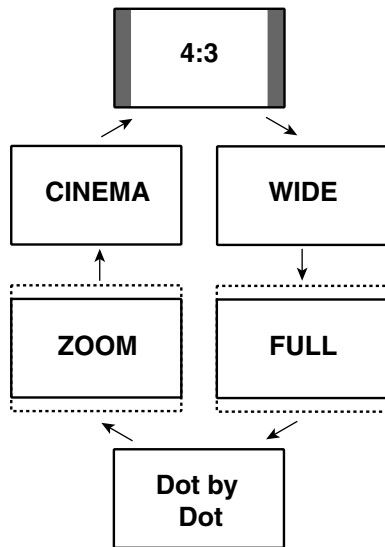
Item	Description
4:3	Fills the screen without altering the input signal aspect ratio
FULL	Full 16:9 screen display

Note

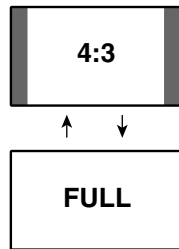
- While watching High Definition TV broadcasting, pressing **SCREEN SIZE** switches among FULL, Dot by Dot, ZOOM, WIDE, and 4:3.
- If you watch High Definition TV broadcasting with WIDE selected, part of the screen (e.g., images, graphic interface) may not appear on the display. If this is the case, select FULL.
- Some HD broadcasts may display 4:3 content with side masks, which may cause uneven wear. After viewing, it is recommended to view full screen motion video (see *Detecting side masks* on page 68).

- The selectable screen sizes may differ depending on the conditions.
- You can freely change the screen size while watching HD broadcasts or enjoying other HD input sources. However, when you resume the HD programs after having quit them, "FULL" is automatically selected for the screen size.
- It is not recommended to consistently display signals that do not completely fill the screen. This may cause temporary or permanent image retention depending on the frequency and duration.

AV source



PC source



Selecting a screen size automatically

The plasma display automatically selects an appropriate screen size when video signals are received from a connected HDMI device (see page 71). To activate this function, use the following procedure.

- 1 Press HOME MENU.
- 2 Select "Option" (↑/↓ then ENTER).
- 3 Select "Auto Size" (↑/↓ then ENTER).
- 4 Select "Natural" or "Wide-Zoom" (↑/↓ then ENTER).

Item	Description
Off	Deactivates the Auto Size function
Natural	Naturally adjusts the image to the screen
Wide-Zoom	Enlarges and displays only the 4:3 aspect ratio portion in full and wide screen

- 5 Press HOME MENU to exit the menu.

Note

- Manually select an appropriate screen size if an image does not automatically switch to a correct screen format.
- When the video signal contains no aspect ratio information, the function will not work even with "Natural" or "Wide-Zoom" selected.

Detecting side masks

Some HD broadcasts may display 4:3 content with side masks. The plasma display automatically detects these side masks to provide gray side masks when "Natural" has been selected for "Auto Size", or display the image full screen with the side masks removed when "Wide-Zoom" has been selected. This function does not operate when "Off" is selected for "Auto Size".

- 1 Press HOME MENU.
- 2 Select "Option" (↑/↓ then ENTER).
- 3 Select "Side Mask" (↑/↓ then ENTER).
- 4 Select "Detection" (↑/↓).
- 5 Select "On" (←/→).

Item	Description
Off	Deactivates the Side Mask detection
On	Activates the Side Mask detection

- 6 Press HOME MENU to exit the menu.

Important

- The "On" setting prevents uneven wear on 4:3 content and side masks and can reduce the possibility of image retention.

Note

- You cannot set the Side Mask detection to "On" or "Off" when "Off" is selected in "Auto Size".
- Set the Side Mask detection function to "On". The High Definition 16:9 aspect ratio images containing side masks will be detected automatically and side masks will be added or the image displayed in full screen.
- This Side Mask detection does not operate on 4:3 content displayed in SD (standard definition) broadcasts.
- "Auto" will appear on the channel display when this function is on.
- Detection errors may occur depending on the HD content. In case a detection error occurs, manually change the screen size to the desired size.
- Side Mask detection may not operate properly for video signals that contain no aspect ratio information. If that is the case, check if "FULL" is selected for the screen size, switch to another input source, then switch back to the original input source again.

Changing the brightness at both sides of the screen (Side Mask)

With the 4:3 screen size, you can change the brightness of the gray side masks that appear at both sides of the screen.

- 1 Press HOME MENU.
- 2 Select "Option" (↑/↓ then ENTER).
- 3 Select "Side Mask" (↑/↓ then ENTER).
- 4 Select "Brightness Sync." (↑/↓).
- 5 Select the desired parameter (←/→).

Item	Description
Fixed (default)	Always sets the same brightness for the gray side masks
Auto	Adjusts the brightness of the gray side masks according to the brightness of images

Important

- The "Auto" setting adjusts the brightness of the side masks according to the brightness of the screen and can reduce the possibility of image retention.

6 Press HOME MENU to exit the menu.

Room Light Sensor

This function automatically adjusts the brightness of the display panel in accordance with the brightness level of the viewing area. For details, use the following procedure.

- 1 Press HOME MENU.
- 2 Select "Option" (▲/▼ then ENTER).
- 3 Select "Room Light Sensor" (▲/▼ then ENTER).
- 4 Select "On" or "Off" (▲/▼ then ENTER).

Item	Description
On	Activates the Room Light Sensor function
Off	Deactivates the Room Light Sensor function

5 Press HOME MENU to exit the menu.

Note

- This function is disabled when "OPTIMUM" is selected on the "AV Selection" menu.
- This function is not available when PC signals are received.
- As the OPTIMUM function automatically optimizes image quality, the process in which image settings such as brightness and tint gradually change may be seen on the screen. This is not a malfunction.

Blue LED Dimmer

You can adjust the brightness of the POWER ON indicator depending on the brightness level of the viewing area. When "Auto" is selected, the brightness of the indicator changes to "High", "Mid" or "Low" to match the brightness level of the viewing area.

- 1 Press HOME MENU.
- 2 Select "Option" (▲/▼ then ENTER).
- 3 Select "Blue LED Dimmer" (▲/▼ then ENTER).
- 4 Select "Auto", "High", "Mid" or "Low" (▲/▼ then ENTER).
- 5 Press HOME MENU to exit the menu.

Orbiter

This function automatically shifts the image little by little.

- 1 Press HOME MENU.
- 2 Select "Option" (▲/▼ then ENTER).
- 3 Select "Orbiter" (▲/▼ then ENTER).

4 Select "Mode 1" or "Mode 2" (▲/▼ then ENTER).

Item	Description
Off	Disables the Orbiter
Mode 1	Enables the display protection function for any screen mode other than "Dot by Dot"
Mode 2	Enables the display protection function for all available screen modes

5 Press HOME MENU to exit the menu.

- To cancel this function, select "Off" in step 4.

Note

- For the Dot by Dot mode, see *Selecting a screen size manually* on page 67.
- This function does not operate when PC signals are received.

Video Pattern

You can display the Video Pattern screen that also helps alleviate after-image if it occurs.

- 1 Press HOME MENU.
- 2 Select "Option" (▲/▼ then ENTER).
- 3 Select "Video Pattern" (▲/▼ then ENTER).

A confirmation screen appears.

4 Select "Start" (ENTER).

The Video Pattern screen displays.

Note

- The system is automatically placed into the standby mode one hour after the Video Pattern screen has started.
- While the Video Pattern screen is on, no buttons operate except TV⏻ on the remote control unit, **STANDBY/ON** and ⏻ on the plasma display.
- To cancel the Video Pattern screen, press TV⏻ on the remote control unit, press **STANDBY/ON** or ⏻ (or slide ⏻ up) on the plasma display.
- The Video Pattern timer has priority over the sleep timer. When the Video Pattern timer is on, the sleep timer becomes ineffective.

Language setting

You can select a language to be used for on-screen display such as menus from among three languages: English, French, and Spanish.

- 1 Press HOME MENU.
- 2 Select "Option" (▲/▼ then ENTER).
- 3 Select "Language" (▲/▼ then ENTER).
- 4 Select a language (←/→).



5 Press HOME MENU to exit the menu.

Chapter 12

Enjoying through External Equipment

About External Equipment

You can connect many types of external equipment to your plasma display, like a DVD player, VCR, personal computer, game console, and camcorder.

To view images coming from external equipment, select the input source using the **INPUT 1** to **INPUT 7** buttons on the remote control or the **INPUT** button on the plasma display.

Caution

- To protect all equipment, always unplug the plasma display from the power outlet before connecting to a DVD player, VCR, personal computer, game console, camcorder, or other external equipment.

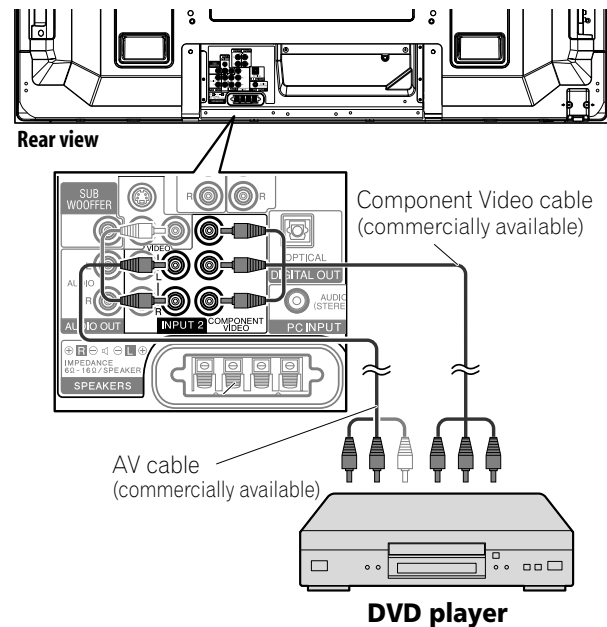
Note

- Refer to the relevant instruction manual (DVD player, personal computer, etc.) carefully before making connections.

Watching a DVD image

Connecting a DVD player

Use the **INPUT 2** terminals when connecting a DVD player and other audiovisual equipment.



Displaying a DVD image

To watch a DVD image, press **INPUT 2** on the remote control unit or press **INPUT** on the plasma display to select "INPUT 2".

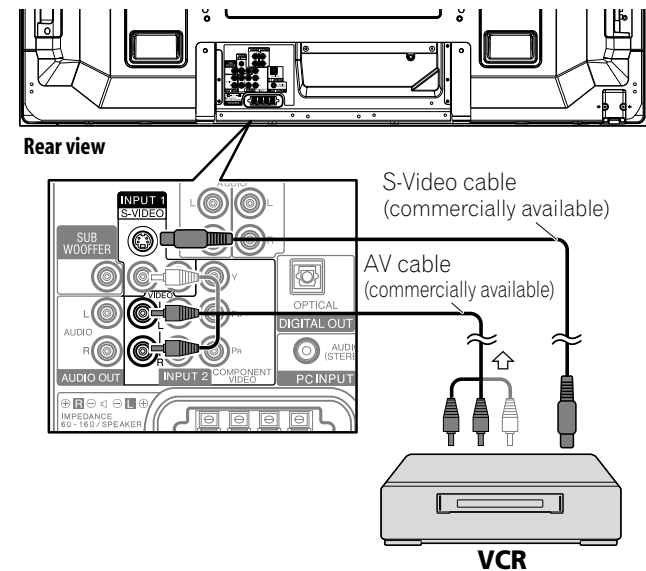
Note

- Refer to your DVD player instruction manual for the signal type.
- The INPUT 2 terminals are checked whether they are connected in the following order; 1) Component Video, 2) S-Video, 3) Video. Use the desired connection for viewing.
- Connect external equipment to only terminals that are to be actually used.

Watching a VCR image

Connecting a VCR

Use the **INPUT 1** terminals when connecting a VCR and other audiovisual equipment.



Displaying a VCR image

To watch a VCR image, press **INPUT 1** on the remote control unit or press **INPUT** on the plasma display to select "INPUT 1".

Note

- The INPUT 1 terminals are checked whether they are connected in the following order; 1) S-Video, 2) Video. Use the desired connection for viewing.
- Connect external equipment only to terminals that are actually to be used.

Using HDMI Input

The INPUT 4, INPUT 5, INPUT 6, INPUT 7 terminals are HDMI terminals to which digital video and audio signals can be input. To use the HDMI terminal, specify the types of video and audio signals to be received from the connected equipment. For the types of these signals, see the operation manual that came with the connected equipment.

Before starting the menu, press **INPUT 4**, **INPUT 5**, **INPUT 6**, **INPUT 7** on the remote control unit or press **INPUT** on the plasma display to select INPUT 4, INPUT 5, INPUT 6 or INPUT 7.

Video signals supported

720 (1440) x 480i@59.94 Hz/60 Hz

720 x 480p@59.94 Hz/60 Hz

1280 x 720p@59.94 Hz/60 Hz

1920 x 1080i@59.94 Hz/60 Hz

1920 x 1080p@24 Hz

1920 x 1080p@60 Hz

PC signals supported

640 x 480 (VGA) 60 Hz

800 x 600 (SVGA) 60 Hz

1024 x 768 (XGA) 60 Hz

1360 x 768 (Wide - XGA) 60 Hz

1280 x 1024 (SXGA) 60 Hz

For audio, the system supports the following:

- Linear PCM (STEREO 2ch)
- Sampling frequency: 32 kHz, 44.1 kHz, 48 kHz

HDMI Control supported

The plasma display supports the HDMI Control functions. By connecting devices that support the HDMI Control functions to the plasma display, you can control the connected device(s) from the plasma display or remote control unit of the plasma display. See "Using the HDMI Control" on Chapter 13.

Deep Color supported

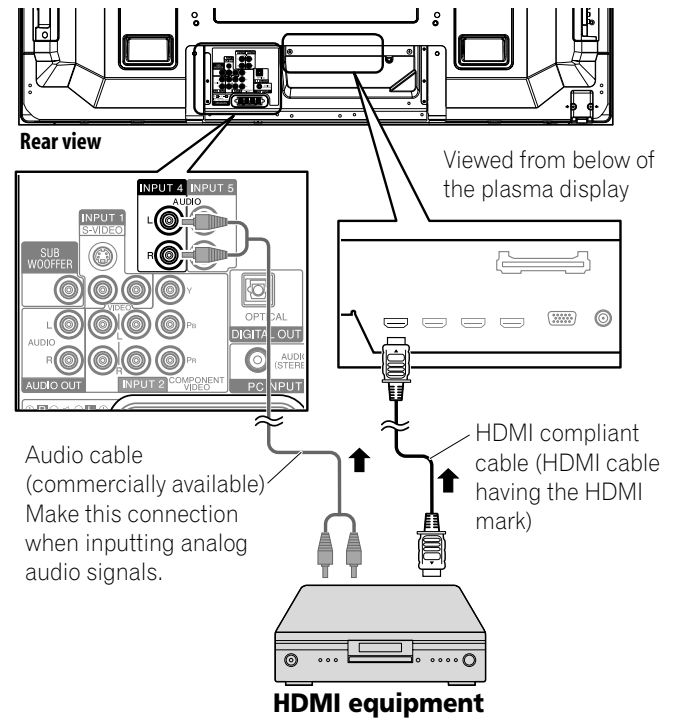
Deep Color means the color depth that describes the number of bits used to represent the color of a single pixel in a bitmapped image. Besides the conventional RGB/YCbCr16 bit/20 bit/24 bit signals, the plasma display also supports RGB/YCbCr30 bit/36 bit signals. This enables finer, minute color reproduction when a device that supports Deep Color signals (HDMI1.3) is connected to the plasma display. When Deep Color signals are received, the color depth appears on the channel display.

Note

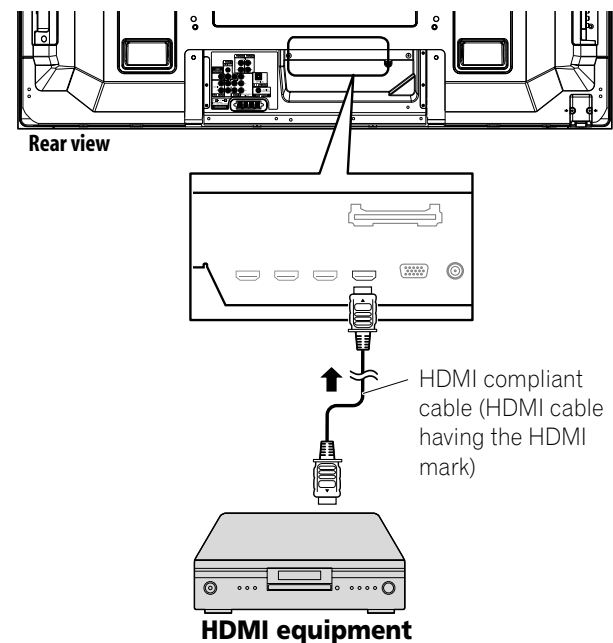
- It may take a short while until the image is displayed, depending on the equipment connected.
- When connecting a PC to the HDMI terminal, use the HDMI compliant PC or video card.
- When connecting a PC to the HDMI terminal using a DVI output terminal, the plasma display may not display properly. If that is the case, consult with your PC manufacturer.
- PC picture and/or sound may not be displayed or heard properly depending on the PC used.

Connecting HDMI equipment

When using the INPUT 4 terminal:



When using the INPUT 7 terminal:



To specify the type of input signals

- 1 Press HOME MENU.
- 2 Select "Option" (▲/▼ then ENTER).
- 3 Select "HDMI Input" (▲/▼ then ENTER).
- 4 Select "Signal Type" (▲/▼ then ENTER).
- 5 Select "Video" or "PC" (▲/▼ then ENTER).

Item	Description
Video (default)	Select this option except when a PC is connected
PC	Select this option when a PC is connected to the HDMI input terminal

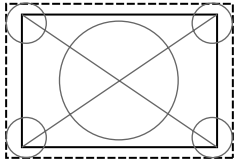
- 6 Press HOME MENU to exit the menu.

Caution

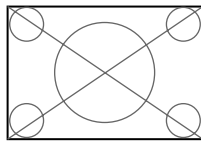
- Make sure to select "PC" when a PC is connected to the HDMI input terminal.

Note

- In the "Video" mode, the image is "over-scanned" (enlarged), and the mode is automatically switched to "PC" when PC signals are received.
- In the "PC" mode, the image is displayed in full size for optimum image quality.



when "Video" is selected
("overscan" size screen)



when "PC" is selected
("underscan" size screen)

To specify the type of digital video signals

- 1 Press HOME MENU.
- 2 Select "Option" (▲/▼ then ENTER).
- 3 Select "HDMI Input" (▲/▼ then ENTER).
- 4 Select "Video" (▲/▼ then ENTER).
- 5 Select the type of digital video signals (▲/▼ then ENTER).
 - If you select "Auto", an attempt will be made to identify the type of digital video signals when digital video signals are received.

Item	Description
Auto (default)	Automatically identifies input digital video signals
Color-1	Digital Component Video signals (4:2:2) locked
Color-2	Digital Component Video signals (4:4:4) locked
Color-3	Digital RGB signals (16 to 235) locked
Color-4	Digital RGB signals (0 to 255) locked

- 6 Press HOME MENU to exit the menu.

Note

- If you select a parameter other than "Auto", make such a setting that results in natural color.
- If no image appears, specify another digital video signal type.
- For the digital video signal types to be specified, check the operation manual that came with the connected equipment.

To specify the type of audio signals

When you use the INPUT 4 or INPUT 5 HDMI terminal, select the terminal for the desired input source, then perform the following procedure to specify the type of audio signals.

- 1 Press HOME MENU.
- 2 Select "Option" (▲/▼ then ENTER).
- 3 Select "HDMI Input" (▲/▼ then ENTER).
- 4 Select "Audio" (▲/▼ then ENTER).
- 5 Select the type of audio signals (▲/▼ then ENTER).
 - If you select "Auto", an attempt will be made to identify the type of audio signals when audio signals are received.

Item	Description
Auto (default)	Automatically identifies input audio signals
Digital	Accepts digital audio signals
Analog	Accepts analog audio signals

- 6 Press HOME MENU to exit the menu.

Note

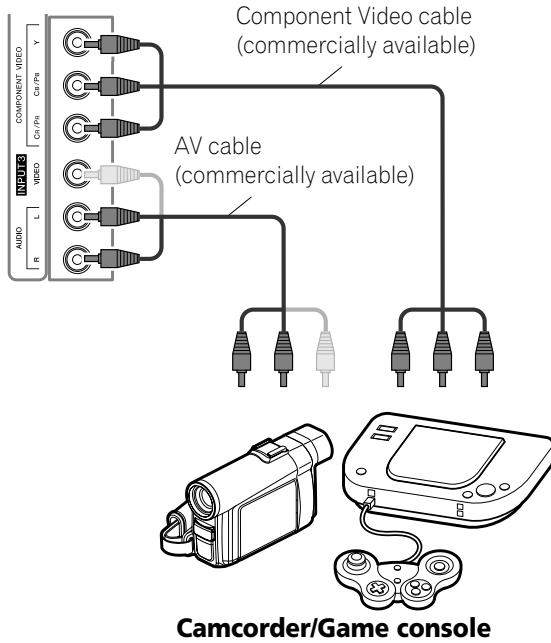
- If no sound is output, specify another audio signal type.
- For the audio signal types to be specified, check the operation manual that came with the connected equipment.
- Depending on the equipment to be connected, you also need to connect analog audio cables.

Enjoying a game console or watching camcorder images

Connecting a game console or camcorder

Use the INPUT 3 terminals to connect a game console, camcorder and other audiovisual equipment.

Plasma display (left side view)



Displaying an image of the game console or camcorder

To watch an image coming from the game console or camcorder, press **INPUT 3** on the remote control unit or press **INPUT** on the plasma display to select "INPUT 3".

Note

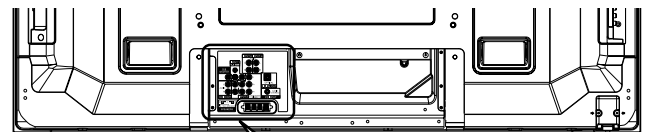
- The INPUT 3 terminals are checked whether they are connected in the following order; 1) Component Video, 2) Video. Use the desired connection for viewing.
- Connect external equipment to only terminals that are to be actually used.

Connecting other audio equipment

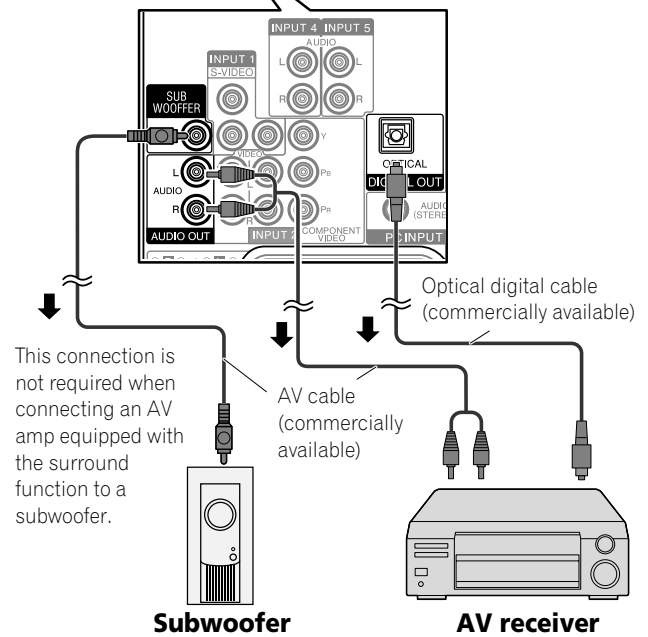
The digital audio output terminal (optical) on this system can output Dolby Digital signals. Using an optical digital cable, connect an AV receiver to the digital audio output terminal (optical) on the rear of the plasma display. This allows audio such as digital TV broadcasting to be played in high quality.

If your AV receiver does not have a digital audio input terminal (optical), you may connect the AUDIO OUT terminals (AUDIO) on the rear of the plasma display to the audio input terminals on the AV receiver. However, this method may result in audio delay between the speakers and AUDIO, which may be reduced by muting the speakers on the plasma display. Nonetheless, you may experience delay between audio and video.

Connecting an AV receiver



Rear view



This connection is not required when connecting an AV amp equipped with the surround function to a subwoofer.

Note

- When using the digital audio output terminal (optical), you need to make settings depending on your AV receiver. For more information, see the instruction manual that came with the AV receiver.
- For details, refer to the operation manual for the audio equipment to be connected.
- Audio signals synchronized with currently displayed images are always output to the AUDIO OUT terminals.
- The audio accompanying the images shown on the display are always output to the SUBWOOFER output terminal.
- When signals are input from the HDMI terminals, no signals are output from the DIGITAL OUT terminal.

Switching the optical audio signal type

Set up for the DIGITAL OUT terminal (OPTICAL), depending on your AV receiver.

- 1 Press **HOME MENU**.
- 2 Select **"Option"** (↑/↓ then **ENTER**).
- 3 Select **"Digital Audio Out"** (↑/↓ then **ENTER**).
- 4 Select **"Dolby Digital"** or **"PCM"** (↑/↓ then **ENTER**).

Item	Description
Dolby Digital (default)	For Dolby Digital encoded signals, outputs in the Dolby Digital format. For PCM encoded signals, outputs in the PCM format.
PCM	Always outputs in the PCM format regardless of the types of signals

- 5 Press **HOME MENU** to exit the menu.

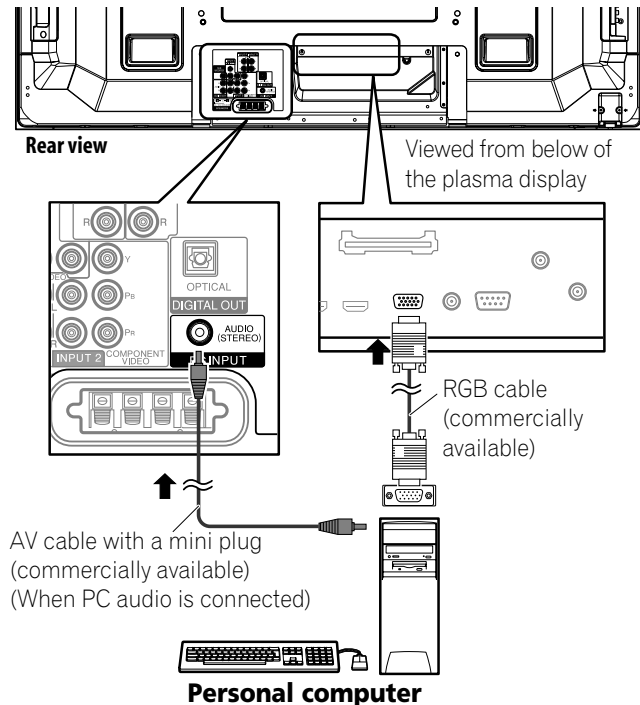
Watching an image from a personal computer

Connecting a personal computer

Use the PC terminals to connect a personal computer.

Note

- The PC input terminals are DDC2B-compatible.
- Plug & Play may not correctly function, depending on the personal computer in use.



Displaying an image from a personal computer

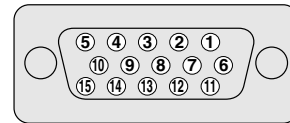
When connected to a personal computer, the input signal type is automatically identified. If the personal computer image does not come in clearly, you may need to use Auto Setup. See page 66.

To watch an image coming from the personal computer, press **PC** on the remote control unit or press **INPUT** on the plasma display to select "PC".

Note

- The PC terminals cannot be used for audio-visual equipment.

Signal names for 15-pin mini D-sub connector



Pin No.	Signal name
1	R
2	G
3	B
4	Not connected
5	Not connected
6	GND (ground)
7	GND (ground)
8	GND (ground)
9	+5 V
10	GND (ground)
11	Not connected
12	SDA
13	HD
14	VD
15	SCL

Computer compatibility chart

Resolution	Frequency
720 x 400	70 Hz
640 x 480 (VGA)	60 Hz
800 x 600 (SVGA)	60 Hz
1280 x 720	60 Hz
1024 x 768 (XGA)	60 Hz
1360 x 768 (Wide-XGA)	60 Hz
1280 x 1024 (SXGA)	60 Hz

Connecting control cords

Connect control cords between the plasma display and other Pioneer equipment having the **SR+** logo. You can then operate the connected equipment by sending commands from its remote control unit to the remote control sensor on the plasma display. After the CONTROL IN terminals have been connected, the remote control sensors on the connected equipment do not accept commands from the remote control units. Face the remote control units to the remote control sensor on the plasma display when operating the connected equipment.

Note

- Make sure that the power is turned off when making connections.
- Complete all component connections before making control cord connections.

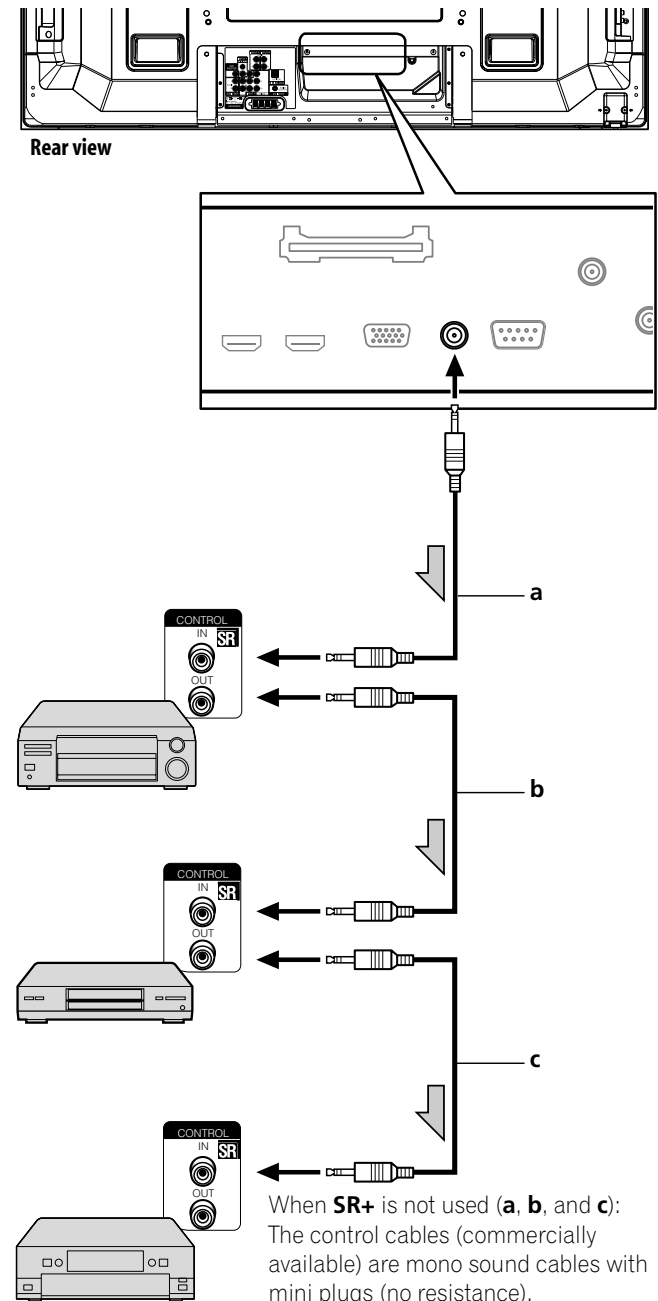
About SR+

The CONTROL OUT terminal on the rear of the plasma display supports **SR+**, which allows linked operations with a Pioneer AV receiver. **SR+** presents functions such as the input switch linkage operation function and the DSP surround mode display function. For more information, see the instruction manual that came with the Pioneer AV receiver supporting **SR+**.

Note

- When making control cord connections, use the **SR+** cable.
- When making control cord connections with one or more pieces of Pioneer equipment, directly connect the plasma display and the Pioneer amplifier that supports **SR+**. Do not connect other equipment between them.
- When the connected equipment is being operated using **SR+**, the volume on the plasma display is temporarily reduced.

Plasma display

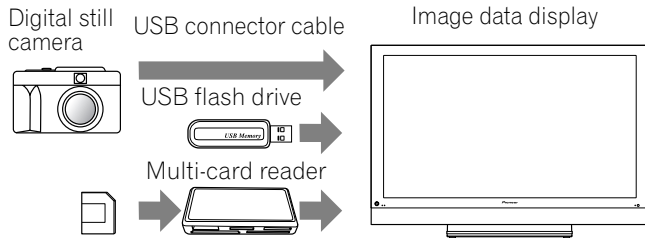


When **SR+** is not used (**a**, **b**, and **c**):
The control cables (commercially available) are mono sound cables with mini plugs (no resistance).

When **SR+** is used (**a**):
Use the **SR+** cable (available as option).

Enjoying through USB interface (Home Gallery function)

On this system, you can watch JPEG images that have been captured and stored in memory cards using a digital still camera. You can also connect your digital camera directly to the plasma display using a USB connector cable.



Note

- A single USB device can only be connected at a time. No USB hub can be connected.
- Such devices as a printer or keyboard cannot be connected and used.

Readable memory cards

This system can read memory cards whose formats are FAT12, FAT16, FAT32, or VFAT.

Readable data files

This system can read only JPEG files that meet the following conditions:

- Extensions are JPG or JPEG.
- JPEG 4:2:2 and 4:2:0 format
- The image resolution must be less than 3264 pixels in the horizontal direction and 2448 pixels in the vertical direction.
- The image resolution must be higher than 160 pixels in the horizontal direction and 120 pixels in the vertical direction.

Note

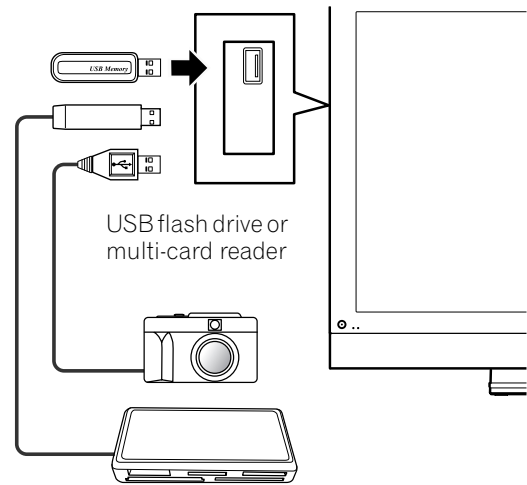
- This system may not be able to display images, depending on the type of your memory card, or camera.
- This system may not be able to display images modified or edited using a personal computer or other equipment.
- This system complies with the USB Mass Storage Class.

Connecting a USB device

Hold the USB device's connector with its top side facing the front panel, and then insert it into the USB port on the side of the plasma display.

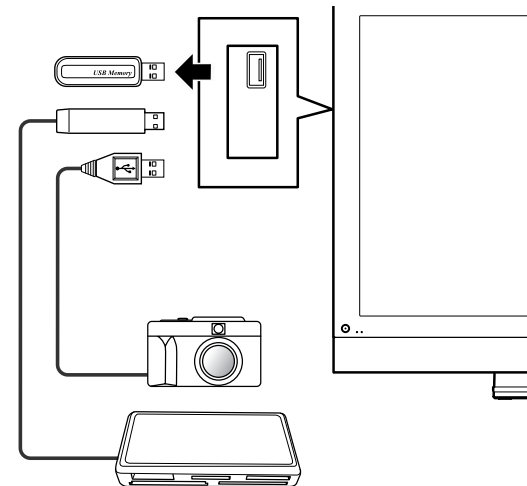
- Insert the USB device's connector as far as it goes.
- When using the USB connector of your device, connect it directly to the USB port.

Side of the plasma display



Removing a USB device

To remove a USB device's connector, quit the Home Gallery screen and then remove it.



Note

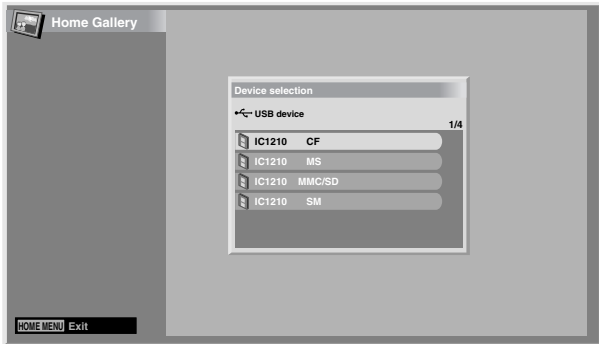
- For details on connectable devices, see Pioneer's website: <http://www.pioneerelectronics.com>
- Be sure to quit the Home Gallery screen before removing the USB device. If you remove the USB device while the Home Gallery screen is displayed, data inside the memory may be damaged.
- Do not insert or remove the USB device immediately after the system is switched on or off. This may cause data inside the memory to be damaged.
- Do not turn the digital camera off while the Home Gallery screen is displayed.

Displaying a device list

After connecting a USB device, a device list screen appears highlighting the device being selected.

Starting the initial Home Gallery screen





- 1 Press HOME MENU.
- 2 Select "Home Gallery" (▲/▼ then ENTER).



- 3 Select a device (▲/▼ then ENTER).

Selecting a folder

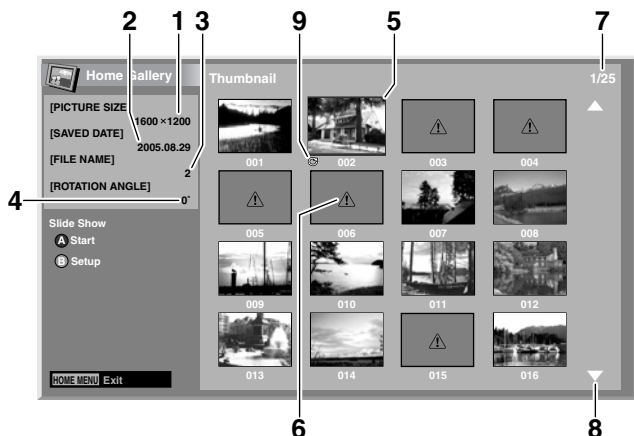
The initial Home Gallery screen shows folders saved in the memory card. Different types of icons appear depending on the contents of folders.

-  — Designates a folder that contains another folder.
-  — Designates a folder that contains no image file.
-  — Designates a folder that contains one or more image files.
-  — Designates one or more image files saved under the root directory.

To select a desired folder, press ▲/▼ and then ENTER. Images in the selected folder are displayed in thumbnail format.

Starting a thumbnail screen

When a folder is selected on the initial Home Gallery screen, images in the folder are displayed in thumbnail format.



- ① Picture size
- ② Saved date
- ③ File name
- ④ Rotation angle
- ⑤ Image selection cursor
- ⑥ Appears for unreadable images.
- ⑦ Number of the selected file/total number of images in the folder
- ⑧ Appears when the folder contains more than 16 images.
- ⑨ Indicates that the picture has been rotated.

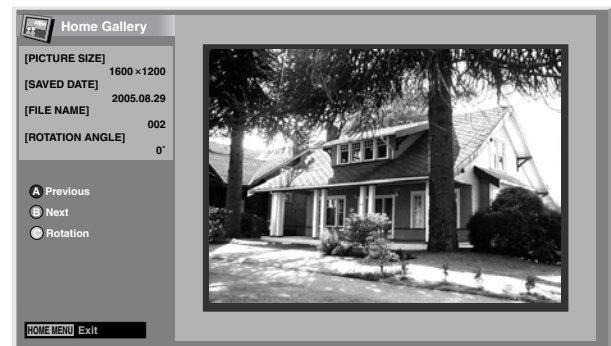
Press ▲/▼ to scroll the screen.

To highlight a desired image, press ▲/▼ and ◀/▶ to move the cursor. Information about the highlighted image appears at the top left of the screen.

Press HOME MENU to quit the Home Gallery function.

Starting a standard single-image screen

When the thumbnail screen is displayed, press ▲/▼ and ◀/▶ to highlight a desired image, and then press ENTER. The thumbnail screen closes, and only the selected image is displayed.



With the above screen displayed, you can use the following keys to perform various operations:

A BLUE:

Displays the previous image in the normal or full screen.

B RED:

Displays the next image in the normal or full screen.

C GREEN:

Rotates the displayed image clockwise. Each press rotates the image in the sequence; 90°, 180°, and then 270°.

ENTER:

Each press switches between the normal screen and the full screen.

HOME MENU:

Quits the Home Gallery function.

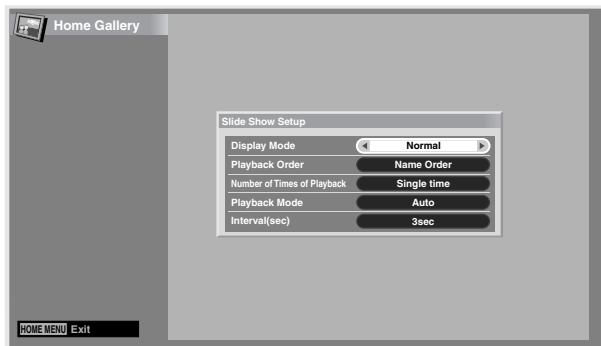
Note

- Be careful not to display the same image for an extended period of time. The image may be burnt into the screen, resulting in a residual image.
- Images smaller than 1024 × 768 pixels are displayed with blank surrounding.

Starting the Slide Show Setup screen

When the thumbnail screen is displayed, press **RED** to start the screen to set up the Slide Show that sequentially changes images.

- 1 Select "Display Mode" (▲/▼).
- 2 Select "Normal" or "Full" (←/→).
 - With "Full" selected, images are displayed using the full screen.
- 3 Select "Playback Order" (▲/▼).
- 4 Select "Name Order" or "Random" (←/→).
- 5 Select "Number of Times of Playback" (▲/▼).
- 6 Select "Single Time" or "Loop" (←/→).
 - With "Loop" selected, Slide Show is repeated until **RETURN** is pressed.
- 7 Select "Playback Mode" (▲/▼).
- 8 Select "Auto" or "Manual" (←/→).
 - With "Auto" selected, images are automatically changed at the specified intervals.
 - With "Manual" selected, the previous image is displayed by pressing **BLUE** or the next image by pressing **RED**.



- 9 If you have selected "Auto" in step 8, press ▲/▼ to select "Interval(sec)", and then press ←/→ to select the desired display duration for individual images.
 - You can select from among 3 seconds, 5 seconds, 10 seconds, 20 seconds, 30 seconds, 60 seconds, and 90 seconds.
- 10 To start the Slide Show screen, press **RETURN** to display the thumbnail screen and then press **BLUE**.
 - To quit the Home Gallery function, press **HOME MENU**.

Note

- If you intend to display the Slide Show screen for an extend period of time, select "FULL" for the screen size in order to avoid image retention on the screen.

Starting the Slide Show screen

After setting up the Slide Show, you can start it to sequentially change the images.

- 1 To start the Slide Show screen, press **BLUE** when a thumbnail screen is displayed.
 - With "Auto" selected for "Playback Mode", images are automatically changed at the specified intervals.
 - With "Manual" selected for "Playback Mode", press **BLUE** to display the previous image or **RED** to display the next image.
 - While images are automatically changed, you can stop and hold automatic image change for approximately five minutes by pressing **BLUE**. To resume, press and hold **BLUE** again.
- 2 When quitting the Slide Show screen, press **RETURN** to restore the thumbnail screen or **HOME MENU** to quit the Home Gallery function.
- 3 Select from normal screen or full screen by pressing **ENTER**.
 - Each press switches between the normal screen and the full screen.

Note

- When paused during a slideshow is played, the screen is automatically changed to the next image in five minutes.
- If no operation is continued for five minutes, the Home Gallery function automatically finishes except on the Slide Show screen.

Chapter 13

Using the HDMI Control

Using the HDMI Control functions

You can operate such Pioneer devices as a recorder, player or AV system support the HDMI Control functions using the remote control of the plasma display.

The HDMI Control functions include playback of content using on-screen control panel on the plasma display. For details, see the table below.

Note

- Maximum number of devices that can be connected and controlled using the remote control unit of the plasma display is as follows: recorder x 2, player x 2, AV system x 1.
- Not all device operations may be available for HDMI Control functions.

HDMI Control functions

Function	Description	Usable devices
Playback of content	The proper input source is automatically selected and the content is played back on the plasma display as you press PLAY on the connected device	Recorder/ player
On-screen control	Recorder/player operation can be controlled on-screen or with the remote control unit of the plasma display (play, stop, fast forward/reverse, etc.)	Recorder/ player
Display Language Setup	Information on the display menu language is transferred to the recorder or player connected to the plasma display. For details, see the operation manual that came with the recorder or player.	Recorder/ player
AV system control	Receiver/amplifier operation can also be controlled with the remote control unit of the plasma display (volume, surround mode and input selection of the HDMI terminal)	AV system
Power On	The plasma display can be turned On when the connected recorder(s) or player(s) is turned On and images are input to the plasma display.	Recorder/ player
Power Off	The connected device(s) can be turned Off when the plasma display is turned Off	Recorder/ player/AV system



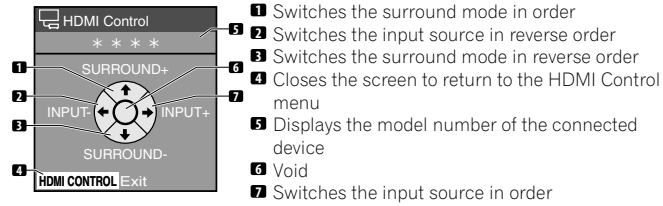
- Press **VOL+/-** or to adjust volume for the AV system.
- Press **↑, ↓, ←, →, ENTER, RETURN** () or color (**BLUE, RED, YELLOW, GREEN**) buttons to use functions such as the disc navigator on the connected recorder or player.

Note

- When using the HDMI Control functions, operate the remote control unit while pointing it toward the remote control sensor () located at the bottom right of the front panel of the plasma display.
- You cannot use two or more HDMI terminals at the rear of the plasma display at the same time except "Power Off" and "Display Language Setup" functions.

On-screen control panel

For an AV system



- 1 Switches the surround mode in order
- 2 Switches the input source in reverse order
- 3 Switches the surround mode in reverse order
- 4 Closes the screen to return to the HDMI Control menu
- 5 Displays the model number of the connected device
- 6 Void
- 7 Switches the input source in order

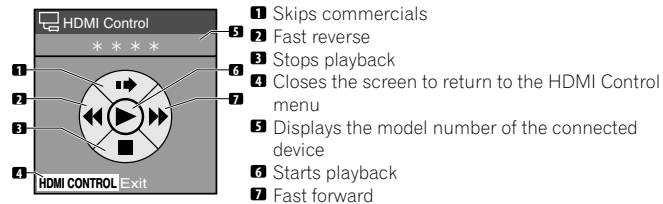
Press **↑** or **↓** on the remote control unit of the plasma display to switch the surround mode in order or in reverse order, **←** or **→** to switch the input source in order or in reverse order. Pressing **HDMI CONTROL** turns the control panel screen off to return to the HDMI Control menu.



Note

- You cannot operate the recorder/player when you press **←** or **→** to switch the input source during operation. To resume the operation, return to the HDMI Control menu and select the desired function again.

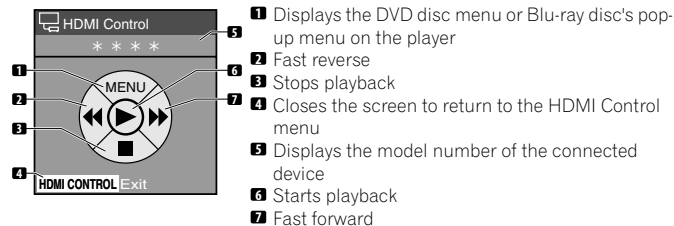
For a recorder



- 1 Skips commercials
- 2 Fast reverse
- 3 Stops playback
- 4 Closes the screen to return to the HDMI Control menu
- 5 Displays the model number of the connected device
- 6 Starts playback
- 7 Fast forward

Press **←** or **→** on the remote control unit of the plasma display to select fast reverse or fast forward mode, **↑** to skip commercials or **↓** to stop playback. Pressing **ENTER** starts playback and **HDMI CONTROL** turns the control panel screen off to return to the HDMI Control menu.

For a player



- 1 Displays the DVD disc menu or Blu-ray disc's pop-up menu on the player
- 2 Fast reverse
- 3 Stops playback
- 4 Closes the screen to return to the HDMI Control menu
- 5 Displays the model number of the connected device
- 6 Starts playback
- 7 Fast forward

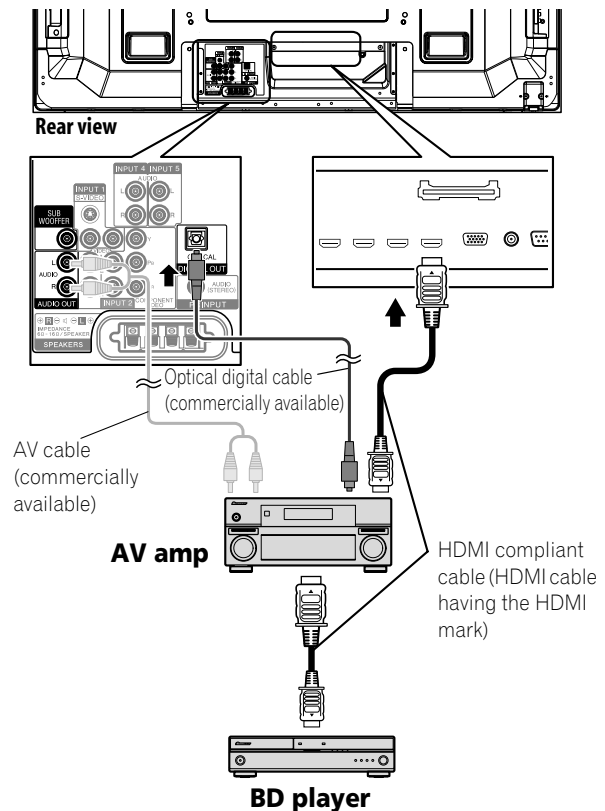
Press **←** or **→** on the remote control unit of the plasma display to select fast reverse or fast forward mode, **↑** to display the DVD disc menu or Blu-ray disc's pop-up menu on the player or **↓** to stop playback. Pressing **ENTER** starts playback and **HDMI CONTROL** turns the control panel screen off to return to the HDMI Control menu.

Making the HDMI Control connections

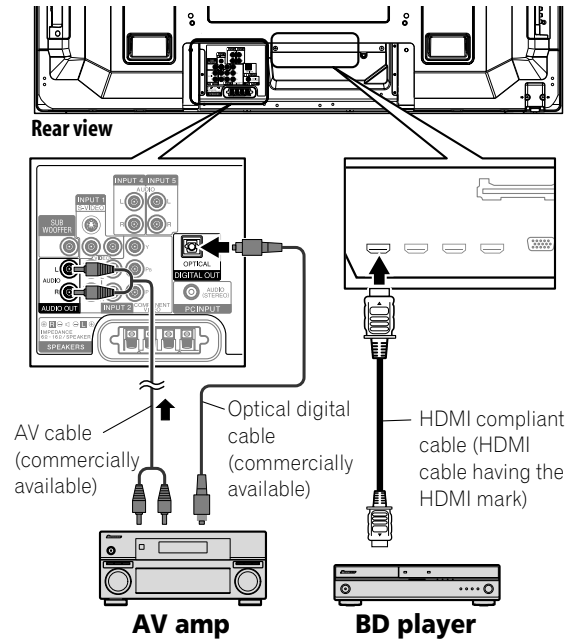
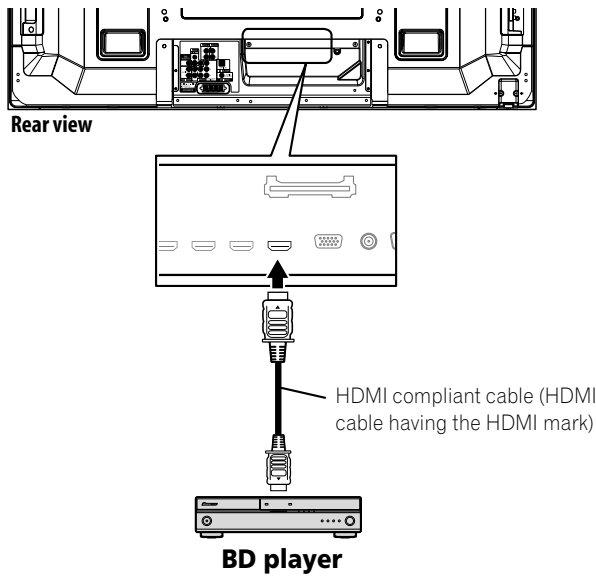
When you make changes in connections between the plasma display and the device(s) that supports the HDMI Control functions or settings for the "HDMI Control Setting", perform the following procedure:

- Turn on the plasma display and all the connected devices.
- Confirm that the setting in "Input Setting" for "HDMI Control Setting" is properly entered according to the connected devices. Also confirm the HDMI Control related settings in the connected devices.
- Switch to the HDMI input terminals to which the devices are connected to check if audio and video images are properly output and displayed.
- Try turning off the plasma display, then turn the power back on to the plasma display.

Connecting an AV amp/BD player



Connecting a BD player



Note

- Maximum number of devices that can be connected and controlled using the remote control unit of the plasma display is as follows: recorder x 2, player x 2, AV system x 1.
- When connecting an AV system, be sure to place and connect it between the plasma display and recorder or player.
- Do not connect an AV system that does not support the HDMI Control functions between the plasma display and a recorder/player, otherwise the HDMI Control functions may not operate properly.
- When connecting an AV system that does not support the HDMI Control functions and a player/recorder that supports the HDMI Control functions to the plasma display, connect the AV system to the DIGITAL OUT terminal and the AUDIO OUT terminal on the plasma display using an optical digital cable and an AV cable (commercially available), and the recorder/player to the HDMI terminal using an HDMI compliant cable (see the illustration). Please note that signals input from the HDMI terminals will not be output from the DIGITAL OUT terminal.

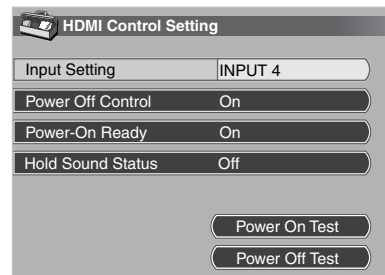
- After making connections, enter the setting in "Input Setting" for "HDMI Control Setting". Be sure that the setting is entered in each HDMI input terminal to which the device is connected.
- Settings in the connected device(s) are also required to use the HDMI Control functions. For details, see the operation manual that came with the connected device(s).
- For more information on the devices that support the HDMI Control functions, check the Pioneer Web site (see back cover).

Setting the HDMI Control

Selecting the input terminal

Select the HDMI terminal to which the external device is connected in order to use the HDMI Control functions.

- 1 Press HOME MENU.
- 2 Select "Option" (▲/▼ then ENTER).
- 3 Select "HDMI Control Setting" (▲/▼ then ENTER).



- 4 Select "Input Setting" (▲/▼ then ENTER).
- 5 Select "INPUT 4", "INPUT 5", "INPUT 6" or "INPUT 7" (▲/▼ then ENTER).

Only the device that supports the HDMI Control and is connected through the selected INPUT terminal is available for the HDMI Control functions.

- 6 Press HOME MENU to exit the menu.

Note

- If you have selected "Off" in step 5, a message "Operations cannot be carried out. Confirm the HDMI control settings." appears when **HDMI CONTROL** is pressed on the remote control unit.
- If you operate an HDMI supported device(s) using an HDMI terminal other than the terminal selected in "Input Setting", a malfunction may occur. When connecting to any HDMI terminals other than the terminal selected in "Input Setting", make sure to enter the settings of the external device(s) so that the HDMI Control function does not operate.

Selecting the Power Off Control

You can select whether or not the connected device is turned Off when the plasma display is turned Off. (factory default is "On")

- 1 Press **HOME MENU**.
- 2 Select "Option" (▲/▼ then **ENTER**).
- 3 Select "HDMI Control Setting" (▲/▼ then **ENTER**).
- 4 Select "Power Off Control" (▲/▼ then **ENTER**).
- 5 Select "On" (▲/▼ then **ENTER**).
- 6 Press **HOME MENU** to exit the menu.

Note

- The "Power Off Control" function is valid for the devices connected to any of HDMI terminals at the rear of the plasma display.

Selecting the Power-On Ready

You can select whether or not the plasma display is turned On when the connected Pioneer recorder or player is turned On and images are input to the plasma display. (factory default is "On")

- 1 Repeat steps 1 to 3 in *Selecting the Power Off Control*.
- 2 Select "Power-On Ready" (▲/▼ then **ENTER**).
- 3 Select "On" (▲/▼ then **ENTER**).
- 4 Press **HOME MENU** to exit the menu.

Selecting the Hold Sound Status

You can select whether or not the function is held for the connected Pioneer AV system even if the system is placed into standby during HDMI Control operations. (factory default is "Off")

- 1 Repeat steps 1 to 3 in *Selecting the Power Off Control*.
- 2 Select "Hold Sound Status" (▲/▼ then **ENTER**).
- 3 Select "On" (▲/▼ then **ENTER**).
- 4 Press **HOME MENU** to exit the menu.

Power On/Off Test

You can confirm if the Power On/Off control function is effective between the plasma display and the connected device.

- 1 Repeat steps 1 to 3 in *Selecting the Power Off Control*.
- 2 Select "Power On Test" or "Power Off Test" (▲/▼ then **ENTER**).

A list containing devices appears when multiple HDMI devices are connected to the HDMI terminals.

- 3 Select the desired device (▲/▼ then **ENTER**).
- 4 Press **HOME MENU** to exit the menu.

Note

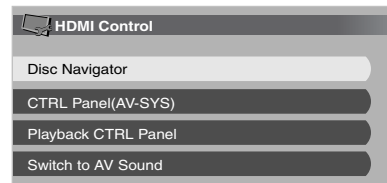
- Devices that can be checked for Power On/Off Test are those connected to HDMI terminals as set in "Input Setting".
- If the Power On/Off Test fails, check for the connection and setting.

Using the HDMI Control menus

You can enjoy various functions with the connected Pioneer recorder, player or AV system that supports the HDMI Control functions by selecting and using the corresponding HDMI Control menus.

- 1 Press **HOME MENU**.
- 2 Select "HDMI Control" (▲/▼ then **ENTER**).

The HDMI Control menu is displayed.

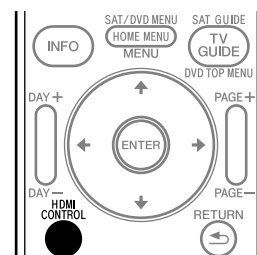


HDMI Control menu

Item	Description
Disc Navigator	Displays a title list of the connected recorder or player
CTRL Panel (AV-SYS)	Displays the control panel for the connected AV system on the plasma display
Playback CTRL Panel	Displays the control panel for the connected recorder or player on the plasma display
Switch to AV Sound (Switch to PDP Sound)	Switches between the plasma display and the connected AV system to which sound is output

Note

- To use the HDMI Control functions, a Pioneer recorder, player or AV system that supports the HDMI Control functions is required.
- Not all operations may be controlled for the connected devices.
- The HDMI Control menu is not selectable when "Off" is selected in "Input Setting" for the "HDMI Control Setting" menu.
- The CTRL Panel (AV-SYS) menu is only available when the sound is output from the AV system.
- The Playback CTRL Panel menu is selectable when the connected recorder or player is ready to operate.
- You can also display the HDMI Control menu by pressing **HDMI CONTROL** on the remote control unit of the plasma display.



Chapter 14

Useful Remote Control Features

Presetting manufacturer codes to control other devices

Presetting manufacturer codes

- 1 Slide the **Mode switch** to match the device to which you want to preset the remote control signal.
- 2 Press **EDIT** and **1** at the same time.
 - The LED flashes.
- 3 Press **0** to **9** to enter the manufacturer code. See page 84.
 - Preset mode is finished once the LED no longer lights up.

Library Search

In the event that the device code for a particular target unit is unknown, you can cycle the remote through the available codes for that device mode and sample functions from each code in order to find the code that properly operates the desired target device.

- 1 Slide the **Mode switch** to match the device to which you want to preset the remote control signal.
- 2 Press **EDIT** and **3** at the same time.
 - The LED indicator flashes and the remote control unit enters the Library Search programming mode.
- 3 Press either **SOURCE POWER**, **PLAY**, **1** or **CH+** to sample the selected code.
- 4 When the code could not be found, press **▲/▼** to advance to the next code or return to the previous code and repeat step 3.
- 5 Press **ENTER** when the code that properly operates the desired target device is found.
 - All the available buttons for the selected mode are programmed in. The remote control unit returns to normal operation after turning the LED indicator on for one second for confirmation.

Manufacturing Reset

You can reset all the learned and preset codes to default regardless of the mode.

- 1 Press **EDIT** and **POWER** in any **Mode switch** position at the same time.
 - The LED indicator flashes and the remote control unit enters the Manufacturing Reset mode.
- 2 Press **D**.
 - A manufacturing reset is completed. The LED indicator flashes for one second and the remote control unit returns to normal operation.



Note

- To exit the Edit mode before it is complete, press **EDIT** again.
- If the **Mode switch** selection is changed when in the Edit mode, the Edit mode is canceled.
- If no operation is performed for more than one minute, the Edit mode is canceled.
- When you enter a code not listed, the LED flashes quickly.
- The initial mode is "PIONEER".
- You may not be able to control some equipment in the tables partially or entirely with the supplied remote control unit.

Programming codes

CABLE

Brand	Codes	Brand	Codes	Brand	Codes	Brand	Codes
A-Mark	0008, 0144	Fosgate	0276	NSC	0012, 0637	Signature	0011
ABC	0237, 0003, 0008, 0014, 0011, 0017	GE	0144, 0021	Oak	0017	Sony	1006, 1506, 1606
Accuphase	0003, 0014, 0011, 0017	General Instrument	0476, 0810, 0276, 0003, 0012, 0014, 0011	Optimus	0021	Sprucer	0144, 0021
Acorn	0237	Gibraltar	0003	Pace	1877, 0877, 0237, 0008	Starcom	0003, 0014
Action	0237	Global	1327	Panasonic	0000, 0008, 0144, 0107, 0021	Stargate	0014
Active	0237	GMI	0883	Panther	0637	Storm	0637
Americast	0899	GoldStar	0144	Paragon	0000, 0008, 0525	Supercable	0276
Amino	1602, 1822	Hamlin	0009, 0273	Penney	0000, 0637	Supermax	0883
Archer	0237, 0260	Hitachi	0003, 0008, 0009, 0011, 0154	Philips	1305, 0317	Thomson	1256
BCC	0276	Houston	0011	Pioneer	1877, 0877, 0144, 0533, 0023, 0260, 1021	Torx	0003
Bell & Howell	0014	i3 Micro	1602	Prism	0012	Toshiba	0000
Bell South	0899	Insight	0476, 0810	Pulsar	0000	Tristar	0883
British Telecom	0003	Jebsee	0014	Quasar	0000	United Cable	0276, 0003, 0014, 0011
Century	0008	Jerrold	0476, 0810, 0276, 0003, 0012, 0014, 0011	RadioShack	0883	US Electronics	0276, 0003, 0008, 0017
Citation	0017	Memorex	0000	RCA	1256, 0021	V2	0883
Clearmaster	0883	Mitsubishi	0003	Regal	0276, 0279, 0273	Videoway	0000
ClearMax	0883	Motorola	1376, 0476, 0810, 0276, 1187, 1254, 0014, 1106	Rembrandt	0011	Viewmaster	0883
Cleartron	1327	Multitech	0883	Runco	0000	ViewmaxPro	1544
Cool Box	0883	Myrio	1602, 1822	Samsung	0003, 0144, 0023	Vision	0883
Coolmax	0883	Nova Vision	0008	Scientific Atlanta	1877, 0877, 0477, 0237, 0003, 0000, 0008, 0012, 0017, 0021	Vortex View	0883
Digeo	1187	Novaplex	0008, 0017	Sejin	1602	Zenith	0000, 0525, 0899, 0017
Digeo	0637			Signal	0011		
Director	0476						
Dumont	0637						
Emerson	0014						

SATELLITE

Brand	Codes	Brand	Codes	Brand	Codes	Brand	Codes
A-Mark	0210	GE	0392, 0566	MegaSat	1551	Realistic	0052
AlphaStar	0772	General Instrument	0869	Memorex	0724, 0269	Samsung	1377, 1142, 1276, 1108, 1109, 1442, 1609
Amino	1615	GOI	0775, 1775	Mitsubishi	0749	Sanyo	1219
Bell ExpressVu	0775	Goodmans	1246	Motorola	0869, 0856	SKY	0856, 0099
Channel Master	0212	Hisense	1535	NEC	0178, 1270	Sony	0639, 1639, 1640
Chaparral	0053, 0209, 0216	Hitachi	0749, 0819, 1250	Netsat	0099	Star Choice	0869
Crossdigital	1109	Homecable	0238	Next Level	0869	Star Trak	0772, 0869, 0180
DirecTV	1377, 0392, 0566, 0639, 1639, 1142, 0247, 0749, 1749, 0724, 0819, 1856, 1076, 1108, 0099, 1109, 1392, 1414, 1442, 1443, 1444, 1538, 1609, 1640	Houston	0775, 0280	Optimus	0724	STS	0210
		HTS	0775, 0280, 1775	Pansat	0647, 1551, 1807	Thomson	0392, 0566
		Hughes Network Systems	1142, 0749, 1749, 1442, 1443, 1444, 1538	Paysat	0724	Tivo	1142, 1442, 1443, 1444, 1538
		Humax	1790	Philips	1142, 0749, 1749, 0775, 0724, 0819, 1076, 0722, 0099, 1442	Toshiba	0749, 1749, 0790, 0819, 0082, 1285
		iLo	1535				
		Innova	0099				
		IQ	0210				
Dish Network System	1505, 1005, 0775, 1170, 1775	IQ Prism	0210	Pioneer	1142, 0329, 1442	UltimateTV	1392, 1640
		Janeil	0152	Primestar	0869	Uniden	0724, 0722, 0052, 0074, 0238
Dishpro	1505, 1005, 0775, 1775	Jerrold	0869	Proscan	0392, 0566	US Digital	1535
Echostar	1505, 1005, 0775, 0159, 0269, 0280, 1170, 1775	JVC	0775, 1170, 1775	Proton	1535	USDTV	1535
		King Viper	0210	RadioShack	0566, 0775, 0869, 0052, 0269	Voom	0869
		Legend	0269				
Expressvu	0775, 1775	LG	1226, 1414	RCA	0392, 0566, 1142, 0775, 0855, 0143, 1392, 1442	Zenith	0856, 1856, 1810
Fortec Star	1550	Magnavox	0724, 0722				
Funai	1377	McIntosh	0869				

VCR

Brand	Codes	Brand	Codes	Brand	Codes	Brand	Codes
A-Mark	0037, 0240, 0000, 0278, 0046	CyberPower	1972	Headquarter	0046	Memorex	0035, 0162, 0037, 0048, 0039, 0047, 0240, 0000, 0104, 0209, 0072, 0278, 0062, 0054, 0046, 0307, 0479, 1037, 1162, 1262
ABS	1972	Daewoo	0037, 0045, 0278, 0020, 0046, 0561, 1137	Hewlett Packard	1972	Metz	0037
Admiral	0060, 0048, 0039, 0047, 0104, 0209, 0020, 0062, 0065, 0479	Daytron	0037, 0278, 0020	HI-Q	0035, 0047, 0000	MGA	0060, 0240, 0043, 0061
Adventura	0037, 0240, 0000	Dell	1972	Hitachi	0035, 0037, 0045, 0000, 0042, 0041, 0065, 0082, 0089, 0105, 0166, 0235, 0292	MGN Technology	0240
Adyson	0072	Denon	0081, 0042	Howard Computers	1972	Microsoft	1972
Aiko	0278	Derwent	0041	HP	1972	Midland	0240
Aiwa	0037, 0000, 0124, 0307, 1137	DirecTV	0739	Hughes Network Systems	0042, 0739	Mind	1972
Akai	0041, 0061, 0106, 0175, 0242	Dual	0000	Humax	0739	Minoita	0042, 0105
Alba	0209, 0072, 0278	Dumont	0040	Hush	1972	Mitsubishi	0060, 0048, 0047, 0000, 0042, 0067, 0043, 0041, 0061, 0075, 0173, 0214, 0242, 0443
Alienware	1972	Durabrand	0039, 0038	Hytek	0047, 0000, 0072	Motorola	0035, 0048
Allegro	0039, 1137	Dynatech	0240, 0000	iBUYPOWER	1972	Movie Walker	0072
America Action	0278	Electrohome	0060, 0037, 0240, 0000, 0043, 0209, 0061	ITT Nokia	0240, 0041	MTC	0240, 0000, 0072
American High	0035, 0081	Electroponic	0037	Janeil	0240	MTX	0000
Amstrad	0000	Emerald	0184, 0121	Jensen	0067, 0041	Multitech	0039, 0000, 0072
Anam National	0226	Emerex	0032	JVC	0067, 0041, 0008, 0058, 0061, 0206, 0207, 0235, 1162, 1707	NAD	0240, 0104, 0058
Asha	0240	Emerson	0037, 0184, 0240, 0000, 0121, 0043, 0209, 0002, 0278, 0202, 0208, 0061, 0212, 0378, 0479, 0561, 0593, 1593	JVC	0067, 0041, 0008, 0058, 0061, 0206, 0207, 0235, 1162, 1707	NEC	0104, 0067, 0041, 0038, 0040, 0050, 0082, 0457
Astra	0035, 0240	ESA	1137	KEC	0037, 0278	New Tech	0072
Audio-Technica	0058	EverFocus	1346	Kenwood	0067, 0041, 0038, 0046	Nikko	0037, 0278
Audiovox	0037, 0278, 0038, 0054	Fisher	0039, 0047, 0000, 0104, 0046, 0054	KLH	0072	Nikkodo	0037, 0278
Avis	0000, 0072	Fuji	0035, 0033	Kodak	0035, 0037	Nikon	0034
Beaumarck	0240	Fujitsu	0000	KTV	0000	Nishi	0240
Bell & Howell	0035, 0048, 0039, 0000, 0104, 0046, 0479	Funai	0037, 0000, 0072, 0278, 0593, 1593	LG	0037, 0240, 0038, 1037, 1137	Niveus Media	1972
Broksonic	0184, 0121, 0209, 0002, 0208, 0479, 1815	Garrard	0000	Linksys	1972	Noblex	0240
Calix	0037	Gateway	1195, 1196, 1972	Lloyd's	0240, 0000, 0072, 0038, 0040, 0208	Northgate	1972
Candle	0037, 0038	GE	0060, 0035, 0048, 0240, 0000, 0149, 0065, 0077, 0202, 0760, 0761	Loewe	0081	Olympus	0035, 0162, 0104, 0226
Canon	0035, 0034	Gemini	0060	Logik	0240, 0000, 0072, 0011	Onkyo	0222
Capehart	0002, 0020, 0062	Genexa	0037, 0000, 0278	Lumatron	0278	Optimus	1062, 0035, 0162, 0037, 0048, 0047, 0240, 0000, 0104, 0062, 0058, 0432, 0593, 1048, 0054, 1162, 1262
Carrera	0240	Go Video	0240, 0432, 0526, 0614, 0663, 1137, 1150	Luxor	0046, 0106	Optonica	0062
Carver	0035, 0081	GoldStar	0035, 0037, 0039, 0000, 0278, 0038, 0054, 1137	LXI	0037, 0000, 0042, 0067, 0054	Orion	0184, 0240, 0000, 0104, 0121, 0209, 0002, 0278, 0208, 0479
CCE	0072, 0278	Goodmans	0037, 0081, 0000, 0072, 0278, 0020, 0062	M Electronic	0240	Panama	0035
Cineral	0278	Gradiente	0000, 0008	Magnasonic	0037, 0240, 0000, 0072, 0278, 0020, 0082, 0593		
CineVision	1137	Granada	0081, 0042, 0011	Magnavox	0035, 0037, 0048, 0039, 0081, 0240, 0000, 0149, 0011, 0054, 0226, 0563, 0593, 0618, 1593		
Citizen	0035, 0037, 0240, 0000, 0209, 0278, 0479	Grundig	0081, 0034, 0226	Magnin	0240		
Classic	0037	Harley Davidson	0000	Marantz	0035, 0081, 0038, 0062		
Colorlyme	0060, 0035, 0045, 0278	Harman/Kardon	0081, 0038, 0075	Marta	0037		
Colt	0000, 0072	Harvard	0072	Matsui	0037, 0209		
Craig	0037, 0047, 0240, 0072, 0271	Harwood	0072	Matsushita	0035, 0162, 0081, 1162		
Criterion	0000, 0072			Media Center PC	1972		
Crosley	0035, 0081, 0000, 0149			MEI	0035		
Crown	0072, 0278						
Curtis Matthes	0060, 0035, 0162, 0240, 0000, 0041, 0278, 0432, 0760						
Cybernex	0240						

VCR

Brand	Codes	Brand	Codes	Brand	Codes	Brand	Codes		
Panasonic	1062, 0035, 0162, 0000, 0020, 0077, 0225, 0226, 0227, 0246, 0378, 0614, 0616, 1162, 1262	Realistic	0035, 0162, 0037, 0048, 0047, 0240, 0000, 0104, 0121, 0278, 0046, 0062, 0065, 1162	Sonographe	0046	Trix	0037		
				Sony	0035, 0047, 0032, 0033, 0000, 0067, 0034, 0046, 0022, 0011, 0226, 0275, 0636, 1032, 1546, 1702, 1703, 1896, 1972	Ultra	0045, 0278, 0020		
						Unitech	0240		
Penney	0035, 0162, 0037, 0047, 0081, 0240, 0000, 0042, 0067, 0038, 0040, 0054, 0077	ReplayTV	0614, 0616	Soundmaster	0000	Vector	0045		
		Ricavision	1972		Vector Research	0184, 0038, 0040			
		Ricoh	0034		Vextra	0072			
		Rio	1137		Victor	0067, 0041, 0008			
Pentax	0042, 0065, 0105	Runco	0039	STS	0042, 0105	Video Concepts	0045, 0040, 0061, 0210, 0242		
Philco	0035, 0081, 0000, 0209, 0479	Salora	0075	SV2000	0000, 0072	Videomagic	0037		
Philips	0035, 0162, 0048, 0081, 0045, 0000, 0209, 0034, 0062, 0616, 0618, 0739, 1081, 1181, 1266	Samsung	0060, 0240, 0045, 0000, 0038, 0077, 0432, 0739	SVA	0000	Videosonic	0240, 0000, 0072		
				Sylvania	0035, 0081, 0000, 0043, 0593, 1593	Viewsonic	1972		
		Samtron	0240	Symphonic	0240, 0000, 0002, 0593, 1593	Villain	0000		
		Sanky	0048, 0039			Voodoo	1972		
		Sansui	0240, 0000, 0067, 0209, 0041, 0072, 0002, 0082, 0271, 0479			Wards	0060, 0035, 0037, 0048, 0047, 0081, 0033, 0240, 0045, 0000, 0042, 0043, 0041, 0072, 0038, 0149, 0046, 0058, 0062, 0065, 0011, 0212, 0479, 0760		
Pilot	0037	Sanyo	0047, 0240, 0000, 0104, 0046, 0159, 0372, 0479	Systemax	1972	Wharfedale	0593		
Pioneer	0162, 0081, 0042, 0067, 0058, 0168, 1337	Scientific Atlanta	0008	Tagar Systems	1972				
Polk Audio	0081	Scott	0184, 0045, 0121, 0043, 0208, 0210, 0212	Tandy	0000, 0104			White Westinghouse	0000, 0209, 0072, 0278, 0479
Portland	0278, 0020	Sears	0060, 0035, 0162, 0037, 0048, 0039, 0047, 0033, 0045, 0000, 0042, 0104, 0067, 0043, 0209, 0041, 0072, 0046, 0034, 0054, 0057, 0058, 0011, 0065, 0105	Technics	0035, 0162, 0037, 0000, 0246			World	0209, 0002, 0479
Presidian	1593	Sharp	0048, 0047, 0032, 0000, 0062, 0065, 0848	Teknika	0035, 0037, 0000			XR-1000	0035, 0240, 0000, 0072, 0208
Profitronic	0240	Shintom	0039, 0240, 0000, 0072, 0208	Telecorder	0240	Yamaha	0041, 0038		
Proscan	0060, 0202, 0760, 0761			Shogun	0240	Telefunken	0041, 0208	Zenith	0037, 0039, 0033, 0000, 0209, 0041, 0278, 0011, 0034, 0479, 1137, 1139
Protec	0000, 0072			Siemens	0037, 0104	Tevion	0479	ZT Group	1972
Protech	0072			Signature	0060, 0035, 0037, 0048, 0000, 0149, 0046, 0065, 0479	Thomas	0000, 0002		
Pulsar	0039, 0240, 0278			Singer	0037, 0240, 0072	Thomson	0060, 0041, 0202	TMK	0240, 0000, 0208
Pulser	0240					Sonic Blue	0614, 0616, 1137		
Quarter	0046			Sony	0035, 0047, 0032, 0033, 0000, 0067, 0034, 0046, 0022, 0011, 0226, 0275, 0636, 1032, 1546, 1702, 1703, 1896, 1972	Tivo	0618, 0636, 0739, 1337, 1996	TNIX	0037
Quartz	0035, 0047, 0046					Tocom	0240	Toshiba	0240, 0045, 0000, 0043, 0209, 0041, 0054, 0057, 0062, 0210, 0212, 0366, 1008, 1972, 1996
Quasar	0035, 0162, 0002, 0077, 0226, 1162			Sony	0035, 0047, 0032, 0033, 0000, 0067, 0034, 0046, 0022, 0011, 0226, 0275, 0636, 1032, 1546, 1702, 1703, 1896, 1972	Totevision	0037, 0240	Touch	1972
RadioShack	0035, 0162, 0037, 0048, 0047, 0240, 0000, 0104, 0046, 0062, 1037, 1162					Sony	0035, 0047, 0032, 0033, 0000, 0067, 0034, 0046, 0022, 0011, 0226, 0275, 0636, 1032, 1546, 1702, 1703, 1896, 1972	Touch	1972
Radix	0037								
Randex	0037								
RCA	0060, 0035, 0048, 0240, 0045, 0000, 0042, 0149, 0880, 0761, 0760, 0202, 0166, 0106, 0105, 0077, 0065, 0058, 0054								

PVR

Brand	Codes	Brand	Codes	Brand	Codes	Brand	Codes
ABS	1972	HP	1972	Niveus Media	1972	Stack 9	1972
Alienware	1972	Hughes Network Systems	0739	Northgate	1972	Systemax	1972
CyberPower	1972			Panasonic	0614, 0616	Tagar Systems	1972
Dell	1972	Humax	0739	Philips	0618, 0739	Tivo	0618, 0636, 0739, 1337
DirecTV	0739	Hush	1972	Pioneer	1337	Toshiba	1008, 1972, 1996
EverFocus	1346	iBUYPOWER	1972	RCA	0880	Touch	1972
Gateway	1195, 1196, 1972	Linksys	1972	ReplayTV	0614, 0616	Viewsonic	1972
Go Video	0614	Media Center PC	1972	Samsung	0739	Voodoo	1972
Hewlett Packard	1972	Microsoft	1972	Sonic Blue	0614, 0616	ZT Group	1972
Howard Computers	1972	Mind	1972	Sony	0636, 1972		

DVD

Brand	Codes	Brand	Codes	Brand	Codes	Brand	Codes	
3D LAB	0503, 0539	CAVS	1057	Enterprise	0591	Kawasaki	0790	
Accurian	1072, 1416, 1737	Celestial	1020	Entivo	0503, 0539	Kenwood	0490, 0534, 0682, 0737	
Acoustic Solutions	0730	Centrex	0672, 1004	Enzer	0770	KLH	0717, 0790, 1020, 1149	
Adcom	1094	Centrios	1577	ESA	1443	Kloss	0533	
Afreedy	0698	Cinea	0831	Firstline	0651	Konka	0711, 0721	
Aiwa	0641	CineVision	0876, 0833, 0869	Fisher	0670	Koss	0651, 0769, 0896, 1061, 1423	
Akai	0695, 0705, 0770, 1089	Citizen	1003, 0695, 1277	Funai	0675, 1334			
Alba	0672, 0717	Clairtone	0571	Gateway	1073, 1077, 1158, 1194	Kreisen	1421	
Alco	0790	Coby	0778, 0852, 1077, 1086, 1107, 1165, 1177, 1351	GE	0522, 0815, 0717	Krell	1498	
Allegro	0869		Go Video	0573, 0744, 0717, 1730, 1443, 1304, 1158, 1148, 1144, 1099, 1075, 1044, 0869, 0833, 0783, 0741, 0715	Lafayette	1369		
Amphion Media Works	0872, 1245	Craig	0831	LG	0591, 0741, 0801, 0869	Landel	0826	
AMW	0872, 1245	Creative	0503, 0539			Lasonic	0627, 0798, 1173, 1747	
Apex Digital	0533, 0672, 0717, 0755, 0794, 0796, 0797, 1004, 1020, 1056, 1061, 1100	Curtis Mathes	1087	Lecson	1533	Lennox	1127	
		CyberHome	0816, 0874, 1017, 1019, 1023, 1024, 1117, 1129, 1502, 1537	Go Vision	1071, 1072	LiteOn	1058, 1158, 1416, 1440, 1656	
Arcam	0732	Cytron	0705	GoldStar	0741, 0801, 0869	Loewe	0511, 0741	
Arrgo	1023	Daewoo	0784, 0705, 0770, 0833, 0869, 1169, 1172, 1234, 1242, 1441, 1443	Goodmans	0790	Logix	0783	
Aspire Digital	0594, 1168, 1407		Gradiente	0490, 0651	GPX	0699, 0769	Magnasonic	0651, 0675
Astar	1489, 1494, 1678, 1679		Greenhill	0717	Magnavox	0503, 0539, 0646, 0675, 1506		
Audiologic	0736		Grundig	0539, 0705	Harman/Kardon	0582, 0702	Malata	0782, 1159
Audiovox	0717, 0790, 1041, 1071, 1072	Dansai	0770	Hitachi	0573, 0664	Marantz	0503, 0539, 0675	
		Daytek	0872	Hiteker	0672	McIntosh	1533, 1273, 1373	
Awa	0730	Decca	0770	Humax	1588	Medion	0651	
Axion	1071, 1072	Denon	0490, 0634	iLo	1348	Memorex	0690, 0695, 0831, 1270	
B & K	0655, 0662	Denver	0778	Initial	0717	Microsoft	0522, 1708	
BBK	1224	Desay	1407, 1455	Innovative Technology	1542	Minato	0752	
Bel Canto Design	1571	Diamond Vision	1316	INOi	1747	Mintek	0839, 0717	
Blaupunkt	0717	Digitrex	0672	Integra	0571, 0627	Mitsubishi	1521, 0521	
Blue Parade	0571	Digix	1272	IRT	0783	MixSonic	1130, 1611	
Blue Sky	0695, 0699	Disney	0675, 1270	Jaton	1078	Momitsu	1082	
Brandt	0651	DiViDo	0705	JBL	0702	Mustek	0730	
Broksonic	0695, 1419	Dual	0675, 1068, 1085	JMB	0695	Myryad	0894	
Bush	0690	Durabrand	1127	JSI	1423	NAD	0591, 0692, 0741	
California Audio Labs	0490	DVD2000	0521	JVC	0558, 0623, 0867, 1164, 1275, 1550, 1602	Naiko	0770	
Cambridge Audio	1471	Electrohome	1003		Nakamichi	1222		
Cambridge Soundworks	0690	Elta	0690	jWin	1049, 1051, 1469, 1675	NEC	0785, 0869	
Cary Audio Design	1477	Emerson	0591, 0675					

DVD

Brand	Codes	Brand	Codes	Brand	Codes	Brand	Codes
Nesa	0717	Presidian	0675, 1072	Schwaiger	0752	Tevion	0651
NeuNeo	0509	Primare	0886, 1467, 1618	Sensory Science	1158	Theta Digital	0571
Next Base	0826	Princeton	0674	Sharp	0630, 0675, 0752, 1256	Thomson	0522, 0511
NexxTech	1402	Proceed	0672	Sharper Image	1117	Tivo	1588
Nintaus	1051	Proscan	0522	Sherwood	0633, 0770, 1043, 1077	Toshiba	0503, 0573, 0539, 0695, 1154, 1588, 1608, 1769
Norcent	1003, 0872, 1107, 1265, 1457	Prosonic	0699	Shinsonic	0533, 0839	Tredex	0799, 0800, 0803, 0804
Onkyo	0503, 0627, 0792	ProVision	0778	Sigma Designs	0674	Unimax	0770
Oppo	0575, 1224, 1525	Qwestar	0651	Slim Art	0784	United	0730
Optimus	0571	Radionette	0741	SM Electronic	0690, 0730	Universum	0591
OptoMedia Electronics	0896	RadioShack	0571	Sonic Blue	0573, 0715, 0783, 0869, 1099	Urban Concepts	0503, 0539
Oritron	0651	RCA	0522, 0571, 0717, 0790, 0822	Sony	0533, 1533, 0864, 1017, 1033, 1069, 1070, 1431, 1432, 1433, 1548	US Logic	0839
Palsonic	0672, 0852	Realistic	0571	Sungale	1074, 1342, 1532	V	1064, 1226
Panasonic	0503, 0490, 0571, 0632, 0703, 1010, 1011, 1762	REALmagic	0674	SVA	0717, 0860, 1105	Venturer	0790
Philco	0690	Reoc	0752	Sylvania	0675	Vialta	1509
Philips	0503, 0539, 0646, 0675, 1267, 1354, 1846	Revoy	0699	Symphonic	0675, 1334	Vizio	1064, 1226
Phonotrend	0699	Rio	0869	Sylvania	0675	Vocopro	1027, 1360
PianoDisc	1024	RJTech	0118, 1360	TAG McLaren	0894	Wesder	0699
Pioneer	0525, 0571, 0142, 0631, 0632, 1475, 1476, 1571	Rotel	0623, 1178	Tatung	0770	Xbox	0522, 1708
Polaroid	1020, 1061, 1086, 1245, 1316, 1478	Rowa	0823, 1004	Teac	0571, 0717, 0692, 0790, 0809	Xwave	1001
Polk Audio	0539	Saba	0651	Technics	0490, 0703	Yamaha	0490, 0539, 0545, 0497, 0817
Portland	0770	Sampo	0698, 0752, 1501	Technika	0770	Yamakawa	0872
		Samsung	0490, 0573, 0744, 0199, 0820, 1044, 1075	Technosonic	0730	Zenith	0503, 0591, 0741, 0869
		Sansui	0695	Techwood	0692	Zeus	0784
		Sanyo	0670, 0675, 0695, 0873, 1334	Terapin	1031	Zoece	1265
		Schneider	0783				

DVD-R

Brand	Codes	Brand	Codes	Brand	Codes	Brand	Codes
Accurian	1416	Funai	0675, 1334	LiteOn	1158, 1416, 1440	Samsung	0490
Apex Digital	1056	Gateway	1073, 1158, 1194	Magnavox	0646, 0675, 1506	Sensory Science	1158
Aspire Digital	1168	Go Video	0741, 1158, 1304, 1730	Panasonic	0490, 1010, 1011	Sharp	0675
Astar	1489	iLo	1348	Philips	0646	Sony	1033, 1069, 1070, 1431, 1432, 1433
Broksonic	1419	JVC	1164, 1275	Pioneer	0631, 1475, 1476	Sylvania	0675
Coby	1086	Kreisen	1421	Polaroid	1086	Zenith	0741
CyberHome	1129, 1502	LG	0741	RCA	0522		

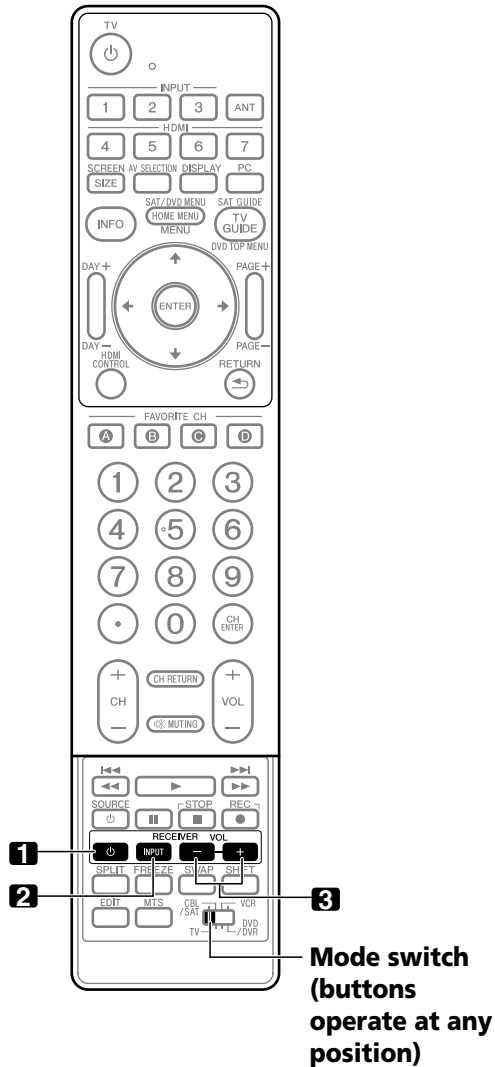
BD (HD-DVD)

Brand	Codes	Brand	Codes	Brand	Codes
Pioneer	2052, 0142	Samsung	0199	Toshiba	1769

LD

Brand	Codes	Brand	Codes	Brand	Codes	Brand	Codes
Aiwa	0203	Marantz	0064, 0194	Polk Audio	0194	Technics	0204
Carver	0064, 0194, 0323	Mitsubishi	0059, 0241	Quasar	0204	Theta Digital	0194
Denon	0059, 0172, 0241	NAD	0059	Realistic	0203	Toshiba	0059
Disco Vision	0023	NEC	0286	Renaissance	0323	Victor	0245
Funai	0203	Optimus	0059	Samsung	0323	Wards	0059
Harman/Kardon	0194	Panasonic	0204	Sega	0023	Yamaha	0217
Hitachi	0023, 0395	Philips	0064, 0194	Sharp	0001		
Magnavox	0064, 0194, 0217, 0241	Pioneer	0059, 0023, 0241, 1274	Sony	0193, 0201, 0270		

Using the remote control unit to control other devices



Receiver control buttons

When a Pioneer receiver is connected to the display, the receiver can be operated using buttons **1** to **3**.

1. RECEIVER (STANDBY/ON)

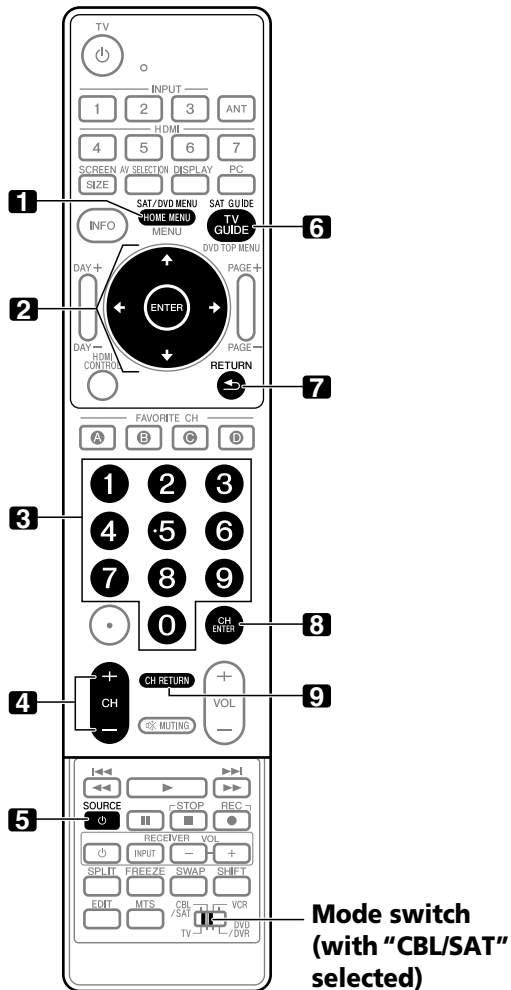
Turns the Pioneer receiver power on and off.

2. RECEIVER INPUT

Selects the input source connected to the Pioneer receiver.

3. RECEIVER VOL +/-

Adjusts the Pioneer receiver volume level. Press **VOL +** to increase the volume and **VOL -** to decrease it.



CBL/SAT control buttons

When the **Mode switch** is set to CBL/SAT, the cable converter or satellite broadcast tuner connected to the display can be operated using the buttons shown below (**3, 4, 5, 8** and **9** for cable converters and **1** to **7** for satellite tuners):

1. SAT MENU

Displays the satellite broadcasting menu screen.

2. ENTER, $\uparrow/\downarrow/\leftarrow/\rightarrow$

ENTER: Activates the selected function.

$\uparrow/\downarrow/\leftarrow/\rightarrow$: Selects items on the SAT GUIDE screen or SAT MENU screen.

3. 0 to 9

Press a button (or buttons) that corresponds to the channel that you want to watch.

4. CH +/-

Selects a higher or lower channel.

5. SOURCE ϕ

Turns the equipment power on and off.

6. SAT GUIDE

Displays the satellite broadcasting guide screen.

7. RETURN

When the CBL/SAT menu is displayed, restores the immediately previous screen.

8. CH ENTER*

Enters the selected channel with the direct channel selection buttons.

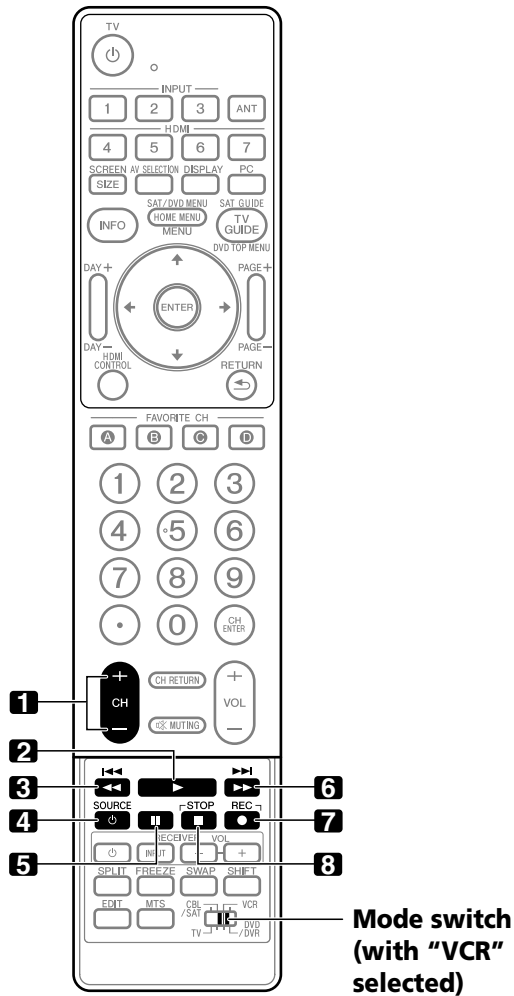
9. CH RETURN*

Switches between the current channel and the channel you were watching immediately before.

* Some cable converter manufacturers do not preset **CH ENTER** and **CH RETURN**.

Note

- CABLE and SAT cannot be selected at the same time.

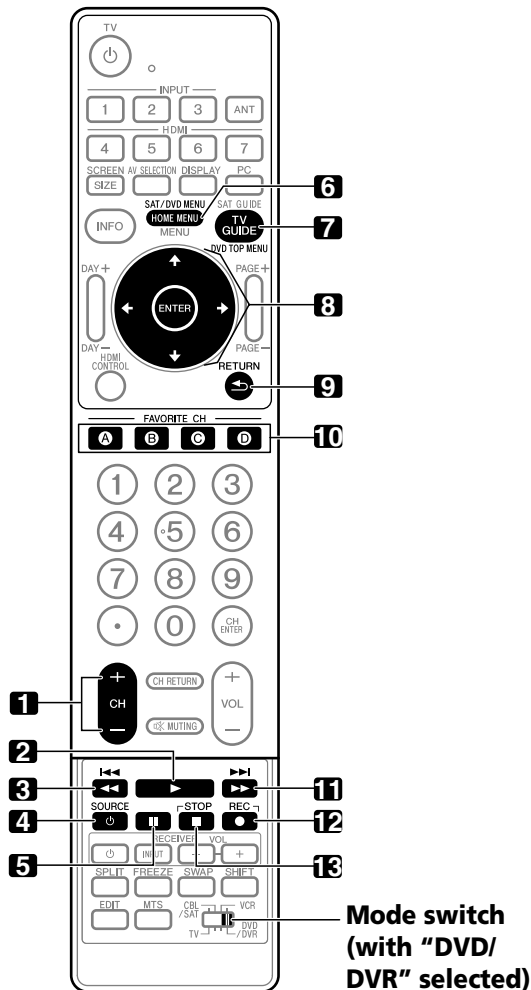


VCR control buttons

When the **Mode switch** is set to VCR, VCRs connected to the display can be operated with the remote control unit.

- Press the input selector button INPUT 1 to INPUT 7 that matches the input terminal number to which the VCR is connected, then the VCR can be operated using **1** to **8**.
- VCRs made by other manufacturers can also be operated using the remote control unit if the remote control signals of the devices have been preset. See page 83.

- 1. CH +/-**
Selects the channel on the VCR.
- 2. ► (PLAY)**
Selects playback.
- 3. ◀◀ (REW)**
Rewinds the tape and allows picture search.
- 4. SOURCE ⏻**
Turns the power of the VCR on and off.
- 5. || (PAUSE/STILL)**
Pauses playback and displays still pictures.
- 6. ►► (FF)**
Rapidly advances the tape and allows picture search.
- 7. ● (REC)**
Starts recording.
- 8. ■ (STOP)**
Stops tape transport.



DVD/DVR control buttons

When the **Mode switch** is set to DVD/DVR, DVD players, DVD recorders or BD players connected to the display can be operated with the remote control unit.

- When the input selector button having the same number as the input terminal connected to a DVD player, DVD recorder or a BD player is pressed, these players can be operated using **1** to **13**.
- DVD players, DVD recorders, BD players or HD-DVD players made by other manufacturers can also be operated using the remote control unit if the remote control signals of the devices have been preset. See page 83.

1. CH +/- (DVD recorder only)

Changes the channel of the tuner built into the DVD recorder.

2. ► (PLAY)

Selects playback.

3. ◀◀ (SCAN)/◀◀◀ (CHAPTER SEARCH)

Continue pressing to go backward. Pressing quickly once takes you to the start of the chapter currently playing. Each time you press it, you move back to the start of the previous chapter.

4. SOURCE ⏻

Turns the equipment power on and off.

5. || (PAUSE/STILL)

Pauses playback and displays still pictures.

6. DVD MENU

Displays the DVD menu.

7. DVD TOP MENU

Displays the DVD top menu.

8. ENTER, ↑/↓/←/→

ENTER: Activates the selected function.

↑/↓/←/→: Selects items on the DVD MENU screen.

9. RETURN

When the DVD menu is displayed, restores the immediately previous screen.

10. A (BLUE), B (RED), C (GREEN), D (YELLOW) (BD only)

Controls the BD-J Application.

11. ►► (SCAN)/►►► (CHAPTER SEARCH)

Continue pressing for fast forward. Pressing quickly once takes you to the start of the next chapter. Each time you press it, you move ahead to the start of the next chapter.

12. ● (REC) (DVD recorder only)

Starts recording.

13. ■ (STOP)

Stops playback.

With some DVD players or DVD recorders, press twice to open the disc tray.

12, 13 STOP REC (DVD recorder only)

Press and hold ●, and then press ■ to stop recording. This operation applies to only Pioneer DVD recorders.

Note

- A DVD player, DVD recorder and a BD player cannot be selected at the same time.
- For some LD players, the buttons on the remote control unit function as above. For the supported LD players, see the LD brands and codes on page 88.

Chapter 15

Appendix

Troubleshooting

Problem	Possible Solution
GENERAL	
<ul style="list-style-type: none"> No power. 	<ul style="list-style-type: none"> Is the power cord disconnected? (See page 31.) Has ⏻ been turned on? (See page 33.) Check if you pressed TV ⏻ on the remote control unit. (See page 33.) If the indicator on the system lights up red, press TV ⏻ on the remote control unit or STANDBY/ON on the plasma display.
<ul style="list-style-type: none"> Power is suddenly turned off. 	<ul style="list-style-type: none"> Is the sleep timer set? (See page 65.) Check the power control setting. (See page 64.) The system's internal temperature has increased. Clean the vents, or remove any blocking objects. (See page 17.)
<ul style="list-style-type: none"> The system cannot be operated. 	<ul style="list-style-type: none"> External influences such as voltage malfunction, static electricity, etc., may cause improper operation. In this case, operate the system after first turning off the power of the plasma display, or unplugging the power cord and re-plugging it in after one to two minutes.
<ul style="list-style-type: none"> Remote control unit does not operate. 	<ul style="list-style-type: none"> Check if TV ⏻ is off. Turn the button on when the POWER ON and STANDBY indicators are off. Is the Mode switch set correctly? Slide it to the TV position. (See page 16.) Are batteries inserted with connect polarity (+, -)? (See page 32.) Are batteries worn out? (Replace with new batteries.) (See page 32.) Operate the remote control unit while pointing it toward the remote control sensor on the plasma display. (See page 32.) Are you using it under strong or fluorescent lighting? Is a fluorescent light illuminating the remote control sensor? Check if any obstacles exist between the remote control unit and the remote control sensor.
<ul style="list-style-type: none"> POWER ON indicator or STANDBY indicator is quickly flashing. 	<ul style="list-style-type: none"> Internal protective circuits may have been activated. First turn ⏻ off on the plasma display, wait one minute or more, then switch the power on again by turning ⏻ on. If the indicator is still flashing, unplug the plasma display's power cord from the power outlet. Wait one to two minutes, then plug in the plasma display again. If this does not solve the problem, contact the nearest Pioneer Authorized Independent Service Company, or the Customer Support Division (see back cover).
PICTURE/SOUND	
<ul style="list-style-type: none"> No image and audio is presented. 	<ul style="list-style-type: none"> Check if the input source for video or PC has been unintentionally selected although you want to watch a TV channel. (See page 34.) Check if you have activated the Parental Control function. (See page 44.) Enter a password to temporarily cancel the Parental Control function. (See page 48.) Check the cable connection with the antenna. (See page 30.) Check the cable connection with the other equipment. (See pages 70 to 75.)
<ul style="list-style-type: none"> No picture. 	<ul style="list-style-type: none"> Is connection to other components correct? (See pages 70 to 75.) Is a non-compatible PC signal being input? (See page 74.) Is picture adjustment correct? (See page 61.)
<ul style="list-style-type: none"> Screen appears dark 	<ul style="list-style-type: none"> Check if any obstacles exist in front of the Room Light Sensor. (See pages 14 and 69.)
<ul style="list-style-type: none"> Audio is output but no image is presented. 	<ul style="list-style-type: none"> Check if you have selected "Picture Off" for Energy Save. With this option selected, the screen is deactivated; only audio is output. To restore the screen display, press any button other than VOL +/- and MUTING. (See page 64.)
<ul style="list-style-type: none"> Images are presented but no audio is output. 	<ul style="list-style-type: none"> Check if you have selected the minimum volume. (See page 35.) Check if you have muted sound. (See page 35.) When using a video or PC input source, check that the audio terminals are also connected. (See pages 70 to 74.)
<ul style="list-style-type: none"> Sound is reversed between the right and left. Sound is output from only a single speaker. 	<ul style="list-style-type: none"> Check if the speaker cable connections have been reversed between the right and left or if the speaker cable from either speaker has been disconnected. (See page 25.) Has the balance been correctly adjusted? (See page 63.)
<ul style="list-style-type: none"> Picture is cut off. 	<ul style="list-style-type: none"> Is the image position correct? (See page 66.) Has the correct screen size been selected? (See page 68.)
<ul style="list-style-type: none"> Strange color, light color, dark or color misalignment. 	<ul style="list-style-type: none"> Adjust the picture tone. (See page 61.) Is the room too bright? The picture may look dark in a room that is too bright.

Problem	Possible Solution
<ul style="list-style-type: none"> After-image lag. 	<ul style="list-style-type: none"> After displaying a still image or a very bright image for a length of time, if the screen is then switched to a darker scene, the previous image may appear as an after-image. This can be rectified by playing a bright moving image for several minutes. However, displaying a still image for excessively long periods of time may cause permanent display deterioration. Display the "Video Pattern" screen to help reduce after-image. (See page 69.)
<ul style="list-style-type: none"> Brightness and color tone on both sides differ from those in the center in 4:3 mode. 	<ul style="list-style-type: none"> If images in 4:3 mode or letterbox images are displayed for long periods or for shorter periods over several days, an after-image may remain due to burning. This is a characteristic of plasma displays. We recommend that you enjoy watching images in a full screen mode as much as possible. (See page 67.) We recommend you select "Auto" for "Brightness Sync." in the Side Mask setting. This adjusts the brightness of the gray side masks according to the brightness of the main image. (See page 68.)

HDMI Control

<ul style="list-style-type: none"> HDMI Control functions do not operate. 	<ul style="list-style-type: none"> Check if the connections are properly made between the plasma display and the device that supports the HDMI Control functions. (See page 80.) Check if you have entered the settings properly for "Setting the HDMI Control". (See page 81.) Check if the settings for the HDMI Control functions are effective on the connected device(s). For details, refer to the operation manual that came with the device.
<ul style="list-style-type: none"> No image and audio is presented. 	<ul style="list-style-type: none"> Check if the connections are properly made between the plasma display and the device that supports the HDMI Control functions. (See page 80.) Check if you have entered the settings properly for "Setting the HDMI Control". (See page 81.)
<ul style="list-style-type: none"> No picture 	<ul style="list-style-type: none"> Check if the connections are properly made between the plasma display and the device that supports the HDMI Control functions. (See page 80.) Check if you have entered the settings properly for "Setting the HDMI Control". (See page 81.)
<ul style="list-style-type: none"> No sound 	<ul style="list-style-type: none"> Check if the connections are properly made between the plasma display and the device that supports the HDMI Control functions. (See page 80.) Check if you have entered the settings properly for "Setting the HDMI Control". (See page 81.) Check if you have an HDMI controlled AV system connected to one HDMI terminal and the recorder or player connected to another HDMI terminal on the plasma display. When connected this way, audio out from the recorder/player does not go through the plasma display SPDIF terminal resulting in no sound to the AV system. When using an AV system and recorder or player, be sure to connect the recorder or player to the AV system input terminal.
<ul style="list-style-type: none"> An error message "The device cannot be operated. Please check the connection." appears. 	<ul style="list-style-type: none"> Check if the connections are properly made between the plasma display and the device that supports the HDMI Control functions. (See page 80.) Check if you have entered the settings properly for "Setting the HDMI Control". (See page 81.)

OTHER

<ul style="list-style-type: none"> TV-Guide data cannot be obtained. 	<ul style="list-style-type: none"> If TV-Guide data cannot be obtained with ANT.A selected for cable connection, select ANT.B for over the air. In addition, try the TV-Guide setup again by performing the following procedure (see page 40): <ul style="list-style-type: none"> Select "Antenna" for "Select service(s)" on Screen 3. Select "ANT B IN" on Screen 4.
<ul style="list-style-type: none"> An external device connected to the USB port does not operate. 	<ul style="list-style-type: none"> Check if the device is connectable to the display. (See page 76.) Re-insert the USB cable. (See page 76.) For connection, use a USB cable shorter than 5 m. (See page 76.) Check if the USB cable is properly connected. (See page 76.) First turn the power off and then turn it on again in order to check if the external device works correctly. Check if the external device works correctly after the USB device was restarted. Check if the digital still camera is in the viewing mode. Refer to the instruction manual for the digital still camera.
<ul style="list-style-type: none"> Photo data stored in a digital still camera cannot be read through USB interface. 	<ul style="list-style-type: none"> Check if the device is connectable to the display. (See page 76.) Check if the digital still camera is turned on.
<ul style="list-style-type: none"> Panel sounds / noises 	<ul style="list-style-type: none"> Panel generated sounds, examples: Fan motor noise, Electrical Circuit Humming / Glass Panel buzzing are normal operation of a phosphor-based matrix display.
<ul style="list-style-type: none"> Screen displays uneven brightness on the sides. 	<ul style="list-style-type: none"> Display content that completely fills the screen until unevenness is minimized. Some signals may require to change the AV mode setting. (See page 67.)

If the following error codes appear on the screen, check the corresponding items in the table.

Code	Message	Check
SD04 and SD11	Powering off. Internal temperature too high. Check temperature around PDP.	Check if the ambient temperature of the plasma display is high.
SD05	Internal protection circuit turns power off. Is there a short in speaker cable?	Check the speaker cable connections between the plasma display and the speakers.

This product in part uses “OpenSSL” software.**To the extent the OpenSSL software is being used, the following notification applies:**

Copyright (c) 1998-2004 The OpenSSL Project. All rights reserved.

Redistribution and use in source and binary forms, with or without modification, are permitted provided that the following conditions are met:

1. Redistributions of source code must retain the above copyright notice, this list of conditions and the following disclaimer.
2. Redistributions in binary form must reproduce the above copyright notice, this list of conditions and the following disclaimer in the documentation and/or other materials provided with the distribution.
3. All advertising materials mentioning features or use of this software must display the following acknowledgment: “This product includes software developed by the OpenSSL Project for use in the OpenSSL Toolkit. (<http://www.openssl.org/>)”
4. The names “OpenSSL Toolkit” and “OpenSSL Project” must not be used to endorse or promote products derived from this software without prior written permission. For written permission, please contact openssl-core@openssl.org.
5. Products derived from this software may not be called “OpenSSL” nor may “OpenSSL” appear in their names without prior written permission of the OpenSSL Project.
6. Redistributions of any form whatsoever must retain the following acknowledgment: “This product includes software developed by the OpenSSL Project for use in the OpenSSL Toolkit (<http://www.openssl.org/>)”

THIS SOFTWARE IS PROVIDED BY THE OpenSSL PROJECT “AS IS” AND ANY EXPRESSED OR IMPLIED WARRANTIES, INCLUDING, BUT NOT LIMITED TO, THE IMPLIED WARRANTIES OF MERCHANTABILITY AND FITNESS FOR A PARTICULAR PURPOSE ARE DISCLAIMED. IN NO EVENT SHALL THE OpenSSL PROJECT OR ITS CONTRIBUTORS BE LIABLE FOR ANY DIRECT, INDIRECT, INCIDENTAL, SPECIAL, EXEMPLARY, OR CONSEQUENTIAL DAMAGES (INCLUDING, BUT NOT LIMITED TO, PROCUREMENT OF SUBSTITUTE GOODS OR SERVICES; LOSS OF USE, DATA, OR PROFITS; OR BUSINESS INTERRUPTION) HOWEVER CAUSED AND ON ANY THEORY OF LIABILITY, WHETHER IN CONTRACT, STRICT LIABILITY, OR TORT (INCLUDING NEGLIGENCE OR OTHERWISE) ARISING IN ANY WAY OUT OF THE USE OF THIS SOFTWARE, EVEN IF ADVISED OF THE POSSIBILITY OF SUCH DAMAGE.

This product includes cryptographic software written by Eric Young (eay@cryptsoft.com). This product includes software written by Tim Hudson (tjh@cryptsoft.com).

Original SSLey License

Copyright (C) 1995-1998 Eric Young (eay@cryptsoft.com)

All rights reserved.

This package is an SSL implementation written by Eric Young (eay@cryptsoft.com). The implementation was written so as to conform with Netscapes SSL.

This library is free for commercial and non-commercial use as long as the following conditions are adhered to. The following conditions apply to all code found in this distribution, be it the RC4, RSA, lhash, DES, etc., code; not just the SSL code. The SSL documentation included with this distribution is covered by the same copyright terms except that the holder is Tim Hudson (tjh@cryptsoft.com).

Copyright remains Eric Young's, and as such any Copyright notices in the code are not to be removed. If this package is used in a product, Eric Young should be given attribution as the author of the parts of the library used. This can be in the form of a textual message at program startup or in documentation (online or textual) provided with the package.

Redistribution and use in source and binary forms, with or without modification, are permitted provided that the following conditions are met:

1. Redistributions of source code must retain the copyright notice, this list of conditions and the following disclaimer.
2. Redistributions in binary form must reproduce the above copyright notice, this list of conditions and the following disclaimer in the documentation and/or other materials provided with the distribution.
3. All advertising materials mentioning features or use of this software must display the following acknowledgement: “This product includes cryptographic software written by Eric Young (eay@cryptsoft.com)” The word ‘cryptographic’ can be left out if the routines from the library being used are not cryptographic related :-).
4. If you include any Windows specific code (or a derivative thereof) from the apps directory (application code) you must include an acknowledgement: “This product includes software written by Tim Hudson (tjh@cryptsoft.com)”

THIS SOFTWARE IS PROVIDED BY ERIC YOUNG “AS IS” AND ANY EXPRESS OR IMPLIED WARRANTIES, INCLUDING, BUT NOT LIMITED TO, THE IMPLIED WARRANTIES OF MERCHANTABILITY AND FITNESS FOR A PARTICULAR PURPOSE ARE DISCLAIMED. IN NO EVENT SHALL THE AUTHOR OR CONTRIBUTORS BE LIABLE FOR ANY DIRECT, INDIRECT, INCIDENTAL, SPECIAL, EXEMPLARY, OR CONSEQUENTIAL DAMAGES (INCLUDING, BUT NOT LIMITED TO, PROCUREMENT OF SUBSTITUTE GOODS OR SERVICES; LOSS OF USE, DATA, OR PROFITS; OR BUSINESS INTERRUPTION) HOWEVER CAUSED AND ON ANY THEORY OF LIABILITY, WHETHER IN CONTRACT, STRICT LIABILITY, OR TORT (INCLUDING NEGLIGENCE OR OTHERWISE) ARISING IN ANY WAY OUT OF THE USE OF THIS SOFTWARE, EVEN IF ADVISED OF THE POSSIBILITY OF SUCH DAMAGE.

The licence and distribution terms for any publically available version or derivative of this code cannot be changed. i.e. this code cannot simply be copied and put under another distribution licence [including the GNU Public Licence.]

Linux Source Notice

The Pioneer Plasma Television is powered by utilizing the Linux operating system. The machine readable copy of the corresponding source code is available for the cost of distribution. To obtain a copy, please visit <http://www.pioneerelectronics.com/> for more information.

GNU General Public License

Version 2, June 1991

Copyright (C) 1989, 1991 Free Software Foundation, Inc.

59 Temple Place - Suite 330, Boston, MA 02111-1307, USA

Everyone is permitted to copy and distribute verbatim copies of this license document, but changing it is not allowed.

Preamble

The licenses for most software are designed to take away your freedom to share and change it. By contrast, the GNU General Public License is intended to guarantee your freedom to share and change free software—to make sure the software is free for all its users. This General Public License applies to most of the Free Software Foundation's software and to any other program whose authors commit to using it. (Some other Free Software Foundation software is covered by the GNU Library General Public License instead.) You can apply it to your programs, too.

When we speak of free software, we are referring to freedom, not price. Our General Public Licenses are designed to make sure that you have the freedom to distribute copies of free software (and charge for this service if you wish), that you receive source code or can get it if you want it, that you can change the software or use pieces of it in new free programs; and that you know you can do these things.

To protect your rights, we need to make restrictions that forbid anyone to deny you these rights or to ask you to surrender the rights. These restrictions translate to certain responsibilities for you if you distribute copies of the software, or if you modify it.

For example, if you distribute copies of such a program, whether gratis or for a fee, you must give the recipients all the rights that you have. You must make sure that they, too, receive or can get the source code. And you must show them these terms so they know their rights.

We protect your rights with two steps: (1) copyright the software, and (2) offer you this license which gives you legal permission to copy, distribute and/or modify the software.

Also, for each author's protection and ours, we want to make certain that everyone understands that there is no warranty for this free software. If the software is modified by someone else and passed on, we want its recipients to know that what they have is not the original, so that any problems introduced by others will not reflect on the original authors' reputations.

Finally, any free program is threatened constantly by software patents. We wish to avoid the danger that redistributors of a free program will individually obtain patent licenses, in effect making the program proprietary. To prevent this, we have made it clear that any patent must be licensed for everyone's free use or not licensed at all.

The precise terms and conditions for copying, distribution and modification follow.

GNU General Public License

TERMS AND CONDITIONS FOR COPYING, DISTRIBUTION AND MODIFICATION

0. This License applies to any program or other work which contains a notice placed by the copyright holder saying it may be distributed under the terms of this General Public License. The "Program", below, refers to any such program or work, and a "work based on the Program" means either the Program or any derivative work under copyright law: that is to say, a work containing the Program or a portion of it, either verbatim or with modifications and/or translated into another language. (Hereinafter, translation is included without limitation in the term "modification".) Each licensee is addressed as "you".

Activities other than copying, distribution and modification are not covered by this License; they are outside its scope. The act of running the Program is not restricted, and the output from the Program is covered only if its contents constitute a work based on the Program (independent of having been made by running the Program). Whether that is true depends on what the Program does.

1. You may copy and distribute verbatim copies of the Program's source code as you receive it, in any medium, provided that you conspicuously and appropriately publish on each copy an appropriate copyright notice and disclaimer of warranty; keep intact all the notices that refer to this License and to the absence of any warranty; and give any other recipients of the Program a copy of this License along with the Program.

You may charge a fee for the physical act of transferring a copy, and you may at your option offer warranty protection in exchange for a fee.

2. You may modify your copy or copies of the Program or any portion of it, thus forming a work based on the Program, and copy and distribute such modifications or work under the terms of Section 1 above, provided that you also meet all of these conditions:

- You must cause the modified files to carry prominent notices stating that you changed the files and the date of any change.
- You must cause any work that you distribute or publish, that in whole or in part contains or is derived from the Program or any part thereof, to be licensed as a whole at no charge to all third parties under the terms of this License.
- If the modified program normally reads commands interactively when run, you must cause it, when started running for such interactive use in the most ordinary way, to print or display an announcement including an appropriate copyright notice and a notice that there is no warranty (or else, saying that you provide a warranty) and that users may redistribute the program under these conditions, and telling the user how to view a copy of this License.

(Exception: if the Program itself is interactive but does not normally print such an announcement, your work based on the Program is not required to print an announcement.)

These requirements apply to the modified work as a whole. If identifiable sections of that work are not derived from the Program, and can be reasonably considered independent and separate works in themselves, then this License, and its terms, do not apply to those sections when you distribute them as separate works. But when you distribute the same sections as part of a whole which is a work based on the Program, the distribution of the whole must be on the terms of this License, whose permissions for other licensees extend to the entire whole, and thus to each and every part regardless of who wrote it.

Thus, it is not the intent of this section to claim rights or contest your rights to work written entirely by you; rather, the intent is to exercise the right to control the distribution of derivative or collective works based on the Program.

In addition, mere aggregation of another work not based on the Program with the Program (or with a work based on the Program) on a volume of a storage or distribution medium does not bring the other work under the scope of this License.

3. You may copy and distribute the Program (or a work based on it, under Section 2) in object code or executable form under the terms of Sections 1 and 2 above provided that you also do one of the following:
 - a) Accompany it with the complete corresponding machine-readable source code, which must be distributed under the terms of Sections 1 and 2 above on a medium customarily used for software interchange; or,
 - b) Accompany it with a written offer, valid for at least three years, to give any third party, for a charge no more than your cost of physically performing source distribution, a complete machine-readable copy of the corresponding source code, to be distributed under the terms of Sections 1 and 2 above on a medium customarily used for software interchange; or,
 - c) Accompany it with the information you received as to the offer to distribute corresponding source code. (This alternative is allowed only for noncommercial distribution and only if you received the program in object code or executable form with such an offer, in accord with Subsection b above.)

The source code for a work means the preferred form of the work for making modifications to it. For an executable work, complete source code means all the source code for all modules it contains, plus any associated interface definition files, plus the scripts used to control compilation and installation of the executable. However, as a special exception, the source code distributed need not include anything that is normally distributed (in either source or binary form) with the major components (compiler, kernel, and so on) of the operating system on which the executable runs, unless that component itself accompanies the executable.

If distribution of executable or object code is made by offering access to copy from a designated place, then offering equivalent access to copy the source code from the same place counts as distribution of the source code, even though third parties are not compelled to copy the source along with the object code.

4. You may not copy, modify, sublicense, or distribute the Program except as expressly provided under this License. Any attempt otherwise to copy, modify, sublicense or distribute the Program is void, and will automatically terminate your rights under this License.

However, parties who have received copies, or rights, from you under this License will not have their licenses terminated so long as such parties remain in full compliance.
5. You are not required to accept this License, since you have not signed it. However, nothing else grants you permission to modify or distribute the Program or its derivative works. These actions are prohibited by law if you do not accept this License. Therefore, by modifying or distributing the Program (or any work based on the Program), you indicate your acceptance of this License to do so, and all its terms and conditions for copying, distributing or modifying the Program or works based on it.
6. Each time you redistribute the Program (or any work based on the Program), the recipient automatically receives a license from the original licensor to copy, distribute or modify the Program subject to these terms and conditions. You may not impose any further restrictions on the recipients' exercise of the rights granted herein. You are not responsible for enforcing compliance by third parties to this License.
7. If, as a consequence of a court judgment or allegation of patent infringement or for any other reason (not limited to patent issues), conditions are imposed on you (whether by court order, agreement or otherwise) that contradict the conditions of this License, they do not excuse you from the conditions of this License. If you cannot distribute so as to satisfy simultaneously your obligations under this License and any other pertinent obligations, then as a consequence you may not distribute the Program at all. For example, if a patent license would not permit royalty-free redistribution of the Program by all those who receive copies directly or indirectly through you, then the only way you could satisfy both it and this License would be to refrain entirely from distribution of the Program.

If any portion of this section is held invalid or unenforceable under any particular circumstance, the balance of the section is intended to apply and the section as a whole is intended to apply in other circumstances.

It is not the purpose of this section to induce you to infringe any patents or other property right claims or to contest validity of any such claims; this section has the sole purpose of protecting the integrity of the free software distribution system, which is implemented by public license practices. Many people have made generous contributions to the wide range of software distributed through that system in reliance on consistent application of that system; it is up to the author/donor to decide if he or she is willing to distribute software through any other system and a licensee cannot impose that choice.

This section is intended to make thoroughly clear what is believed to be a consequence of the rest of this License.

8. If the distribution and/or use of the Program is restricted in certain countries either by patents or by copyrighted interfaces, the original copyright holder who places the Program under this License may add an explicit geographical distribution limitation excluding those countries, so that distribution is permitted only in or among countries not thus excluded. In such case, this License incorporates the limitation as if written in the body of this License.

9. The Free Software Foundation may publish revised and/or new versions of the General Public License from time to time. Such new versions will be similar in spirit to the present version, but may differ in detail to address new problems or concerns.
- Each version is given a distinguishing version number. If the Program specifies a version number of this License which applies to it and "any later version", you have the option of following the terms and conditions either of that version or of any later version published by the Free Software Foundation. If the Program does not specify a version number of this License, you may choose any version ever published by the Free Software Foundation.
10. If you wish to incorporate parts of the Program into other free programs whose distribution conditions are different, write to the author to ask for permission. For software which is copyrighted by the Free Software Foundation, write to the Free Software Foundation; we sometimes make exceptions for this. Our decision will be guided by the two goals of preserving the free status of all derivatives of our free software and of promoting the sharing and reuse of software generally.

NO WARRANTY

11. BECAUSE THE PROGRAM IS LICENSED FREE OF CHARGE, THERE IS NO WARRANTY FOR THE PROGRAM, TO THE EXTENT PERMITTED BY APPLICABLE LAW. EXCEPT WHEN OTHERWISE STATED IN WRITING THE COPYRIGHT HOLDERS AND/OR OTHER PARTIES PROVIDE THE PROGRAM "AS IS" WITHOUT WARRANTY OF ANY KIND, EITHER EXPRESSED OR IMPLIED, INCLUDING, BUT NOT LIMITED TO, THE IMPLIED WARRANTIES OF MERCHANTABILITY AND FITNESS FOR A PARTICULAR PURPOSE. THE ENTIRE RISK AS TO THE QUALITY AND PERFORMANCE OF THE PROGRAM IS WITH YOU. SHOULD THE PROGRAM PROVE DEFECTIVE, YOU ASSUME THE COST OF ALL NECESSARY SERVICING, REPAIR OR CORRECTION.
12. IN NO EVENT UNLESS REQUIRED BY APPLICABLE LAW OR AGREED TO IN WRITING WILL ANY COPYRIGHT HOLDER, OR ANY OTHER PARTY WHO MAY MODIFY AND/OR REDISTRIBUTE THE PROGRAM AS PERMITTED ABOVE, BE LIABLE TO YOU FOR DAMAGES, INCLUDING ANY GENERAL, SPECIAL, INCIDENTAL OR CONSEQUENTIAL DAMAGES ARISING OUT OF THE USE OR INABILITY TO USE THE PROGRAM (INCLUDING BUT NOT LIMITED TO LOSS OF DATA OR DATA BEING RENDERED INACCURATE OR LOSSES SUSTAINED BY YOU OR THIRD PARTIES OR A FAILURE OF THE PROGRAM TO OPERATE WITH ANY OTHER PROGRAMS), EVEN IF SUCH HOLDER OR OTHER PARTY HAS BEEN ADVISED OF THE POSSIBILITY OF SUCH DAMAGES.
- END OF TERMS AND CONDITIONS

How to Apply These Terms to Your New Programs

If you develop a new program, and you want it to be of the greatest possible use to the public, the best way to achieve this is to make it free software which everyone can redistribute and change under these terms.

To do so, attach the following notices to the program. It is safest to attach them to the start of each source file to most effectively convey the exclusion of warranty; and each file should have at least the "copyright" line and a pointer to where the full notice is found.

<one line to give the program's name and an idea of what it does.>

Copyright (C) yyyy name of author

This program is free software; you can redistribute it and/or modify it under the terms of the GNU General Public License as published by the Free Software Foundation; either version 2 of the License, or (at your option) any later version.

This program is distributed in the hope that it will be useful, but WITHOUT ANY WARRANTY; without even the implied warranty of MERCHANTABILITY or FITNESS FOR A PARTICULAR PURPOSE. See the GNU General Public License for more details.

You should have received a copy of the GNU General Public License along with this program; if not, write to the Free Software Foundation, Inc., 59 Temple Place - Suite 330, Boston, MA 02111-1307, USA.

Also add information on how to contact you by electronic and paper mail.

If the program is interactive, make it output a short notice like this when it starts in an interactive mode:

Gnomovision version 69, Copyright (C) year name of author

Gnomovision comes with ABSOLUTELY NO WARRANTY; for details type 'show w'. This is free software, and you are welcome to redistribute it under certain conditions; type 'show c' for details.

The hypothetical commands 'show w' and 'show c' should show the appropriate parts of the General Public License. Of course, the commands you use may be called something other than 'show w' and 'show c'; they could even be mouse-clicks or menu items- whatever suits your program.

You should also get your employer (if you work as a programmer) or your school, if any, to sign a "copyright disclaimer" for the program, if necessary. Here is a sample; alter the names:

Yoyodyne, Inc., hereby disclaims all copyright interest in the program 'Gnomovision' (which makes passes at compilers) written by James Hacker.

signature of Ty Coon, 1 April 1989

Ty Coon, President of Vice

This General Public License does not permit incorporating your program into proprietary programs. If your program is a subroutine library, you may consider it more useful to permit linking proprietary applications with the library. If this is what you want to do, use the GNU Lesser General Public License instead of this License.

GNU Lesser General Public License

Version 2.1, February 1999

Copyright (C) 1991, 1999 Free Software Foundation, Inc.

59 Temple Place, Suite 330, Boston, MA 02111-1307, USA

Everyone is permitted to copy and distribute verbatim copies of this license document, but changing it is not allowed.

[This is the first released version of the Lesser GPL. It also counts as the successor of the GNU Library Public License, version 2, hence the version number 2.1.]

Preamble

The licenses for most software are designed to take away your freedom to share and change it. By contrast, the GNU General Public Licenses are intended to guarantee your freedom to share and change free software—to make sure the software is free for all its users. This license, the Lesser General Public License, applies to some specially designated software packages—typically libraries—of the Free Software Foundation and other authors who decide to use it. You can use it too, but we suggest you first think carefully about whether this license or the ordinary General Public License is the better strategy to use in any particular case, based on the explanations below.

When we speak of free software, we are referring to freedom of use, not price. Our General Public Licenses are designed to make sure that you have the freedom to distribute copies of free software (and charge for this service if you wish); that you receive source code or can get it if you want it; that you can change the software and use pieces of it in new free programs; and that you are informed that you can do these things.

To protect your rights, we need to make restrictions that forbid distributors to deny you these rights or to ask you to surrender these rights. These restrictions translate to certain responsibilities for you if you distribute copies of the library or if you modify it.

For example, if you distribute copies of the library, whether gratis or for a fee, you must give the recipients all the rights that we gave you. You must make sure that they, too, receive or can get the source code. If you link other code with the library, you must provide complete object files to the recipients, so that they can relink them with the library after making changes to the library and recompiling it. And you must show them these terms so they know their rights.

We protect your rights with a two-step method: (1) we copyright the library, and (2) we offer you this license, which gives you legal permission to copy, distribute and/or modify the library.

To protect each distributor, we want to make it very clear that there is no warranty for the free library. Also, if the library is modified by someone else and passed on, the recipients should know that what they have is not the original version, so that the original author's reputation will not be affected by problems that might be introduced by others.

Finally, software patents pose a constant threat to the existence of any free program. We wish to make sure that a company cannot effectively restrict the users of a free program by obtaining a restrictive license from a patent holder.

Therefore, we insist that any patent license obtained for a version of the library must be consistent with the full freedom of use specified in this license.

Most GNU software, including some libraries, is covered by the ordinary GNU General Public License. This license, the GNU Lesser General Public License, applies to certain designated libraries, and is quite different from the ordinary General Public License. We use this license for certain libraries in order to permit linking those libraries into non-free programs.

When a program is linked with a library, whether statically or using a shared library, the combination of the two is legally speaking a combined work, a derivative of the original library. The ordinary General Public License therefore permits such linking only if the entire combination fits its criteria of freedom. The Lesser General Public License permits more lax criteria for linking other code with the library.

We call this license the “Lesser” General Public License because it does Less to protect the user's freedom than the ordinary General Public License. It also provides other free software developers Less of an advantage over competing non-free programs. These disadvantages are the reason we use the ordinary General Public License for many libraries. However, the Lesser license provides advantages in certain special circumstances.

For example, on rare occasions, there may be a special need to encourage the widest possible use of a certain library, so that it becomes a de-facto standard. To achieve this, non-free programs must be allowed to use the library.

A more frequent case is that a free library does the same job as widely used non-free libraries. In this case, there is little to gain by limiting the free library to free software only, so we use the Lesser General Public License.

In other cases, permission to use a particular library in non-free programs enables a greater number of people to use a large body of free software. For example, permission to use the GNU C Library in non-free programs enables many more people to use the whole GNU operating system, as well as its variant, the GNU/Linux operating system.

Although the Lesser General Public License is Less protective of the users' freedom, it does ensure that the user of a program that is linked with the Library has the freedom and the wherewithal to run that program using a modified version of the Library.

The precise terms and conditions for copying, distribution and modification follow. Pay close attention to the difference between a “work based on the library” and a “work that uses the library”. The former contains code derived from the library, whereas the latter must be combined with the library in order to run.

GNU Lesser General Public License

TERMS AND CONDITIONS FOR COPYING, DISTRIBUTION AND MODIFICATION

0. This License Agreement applies to any software library or other program which contains a notice placed by the copyright holder or other authorized party saying it may be distributed under the terms of this Lesser General Public License (also called "this License"). Each licensee is addressed as "you".

A "library" means a collection of software functions and/or data prepared so as to be conveniently linked with application programs (which use some of those functions and data) to form executables.

The "Library", below, refers to any such software library or work which has been distributed under these terms. A "work based on the Library" means either the Library or any derivative work under copyright law: that is to say, a work containing the Library or a portion of it, either verbatim or with modifications and/or translated straightforwardly into another language. (Hereinafter, translation is included without limitation in the term "modification".)

"Source code" for a work means the preferred form of the work for making modifications to it. For a library, complete source code means all the source code for all modules it contains, plus any associated interface definition files, plus the scripts used to control compilation and installation of the library.

Activities other than copying, distribution and modification are not covered by this License; they are outside its scope. The act of running a program using the Library is not restricted, and output from such a program is covered only if its contents constitute a work based on the Library (independent of the use of the Library in a tool for writing it). Whether that is true depends on what the Library does and what the program that uses the Library does.

1. You may copy and distribute verbatim copies of the Library's complete source code as you receive it, in any medium, provided that you conspicuously and appropriately publish on each copy an appropriate copyright notice and disclaimer of warranty; keep intact all the notices that refer to this License and to the absence of any warranty; and distribute a copy of this License along with the Library.

You may charge a fee for the physical act of transferring a copy, and you may at your option offer warranty protection in exchange for a fee.

2. You may modify your copy or copies of the Library or any portion of it, thus forming a work based on the Library, and copy and distribute such modifications or work under the terms of Section 1 above, provided that you also meet all of these conditions:

- The modified work must itself be a software library.
- You must cause the files modified to carry prominent notices stating that you changed the files and the date of any change.
- You must cause the whole of the work to be licensed at no charge to all third parties under the terms of this License.
- If a facility in the modified Library refers to a function or a table of data to be supplied by an application program that uses the facility, other than as an argument passed when the facility is invoked, then you must make a good faith effort to ensure that, in the event an application does not supply such function or table, the facility still operates, and performs whatever part of its purpose remains meaningful.

(For example, a function in a library to compute square roots has a purpose that is entirely well-defined independent of the application. Therefore, Subsection 2d requires that any application-supplied function or table used by this function must be optional: if the application does not supply it, the square root function must still compute square roots.) These requirements apply to the modified work as a whole. If identifiable sections of that work are not derived from the Library, and can be reasonably considered independent and separate works in themselves, then this License, and its terms, do not apply to those sections when you distribute them as separate works. But when you distribute the same sections as part of a whole which is a work based on the Library, the distribution of the whole must be on the terms of this License, whose permissions for other licensees extend to the entire whole, and thus to each and every part regardless of who wrote it.

Thus, it is not the intent of this section to claim rights or contest your rights to work written entirely by you; rather, the intent is to exercise the right to control the distribution of derivative or collective works based on the Library.

In addition, mere aggregation of another work not based on the Library with the Library (or with a work based on the Library) on a volume of a storage or distribution medium does not bring the other work under the scope of this License.

3. You may opt to apply the terms of the ordinary GNU General Public License instead of this License to a given copy of the Library. To do this, you must alter all the notices that refer to this License, so that they refer to the ordinary GNU General Public License, version 2, instead of to this License. (If a newer version than version 2 of the ordinary GNU General Public License has appeared, then you can specify that version instead if you wish.) Do not make any other change in these notices.

Once this change is made in a given copy, it is irreversible for that copy, so the ordinary GNU General Public License applies to all subsequent copies and derivative works made from that copy. This option is useful when you wish to copy part of the code of the Library into a program that is not a library.

4. You may copy and distribute the Library (or a portion or derivative of it, under Section 2) in object code or executable form under the terms of Sections 1 and 2 above provided that you accompany it with the complete corresponding machine-readable source code, which must be distributed under the terms of Sections 1 and 2 above on a medium customarily used for software interchange.

If distribution of object code is made by offering access to copy from a designated place, then offering equivalent access to copy the source code from the same place satisfies the requirement to distribute the source code, even though third parties are not compelled to copy the source along with the object code.

5. A program that contains no derivative of any portion of the Library, but is designed to work with the Library by being compiled or linked with it, is called a "work that uses the Library". Such a work, in isolation, is not a derivative work of the Library, and therefore falls outside the scope of this License. However, linking a "work that uses the Library" with the Library creates an executable that is a derivative of the Library (because it contains portions of the Library), rather than a "work that uses the library". The executable is therefore covered by this License. Section 6 states terms for distribution of such executables.

When a “work that uses the Library” uses material from a header file that is part of the Library, the object code for the work may be a derivative work of the Library even though the source code is not. Whether this is true is especially significant if the work can be linked without the Library, or if the work is itself a library. The threshold for this to be true is not precisely defined by law.

If such an object file uses only numerical parameters, data structure layouts and accessors, and small macros and small inline functions (ten lines or less in length), then the use of the object file is unrestricted, regardless of whether it is legally a derivative work. (Executables containing this object code plus portions of the Library will still fall under Section 6.)

Otherwise, if the work is a derivative of the Library, you may distribute the object code for the work under the terms of Section 6. Any executables containing that work also fall under Section 6, whether or not they are linked directly with the Library itself.

6. As an exception to the Sections above, you may also combine or link a “work that uses the Library” with the Library to produce a work containing portions of the Library, and distribute that work under terms of your choice, provided that the terms permit modification of the work for the customer’s own use and reverse engineering for debugging such modifications.

You must give prominent notice with each copy of the work that the Library is used in it and that the Library and its use are covered by this License. You must supply a copy of this License. If the work during execution displays copyright notices, you must include the copyright notice for the Library among them, as well as a reference directing the user to the copy of this License.

Also, you must do one of these things:

- a) Accompany the work with the complete corresponding machine-readable source code for the Library including whatever changes were used in the work (which must be distributed under Sections 1 and 2 above); and, if the work is an executable linked with the Library, with the complete machine-readable “work that uses the Library”, as object code and/or source code, so that the user can modify the Library and then relink to produce a modified executable containing the modified Library. (It is understood that the user who changes the contents of definitions files in the Library will not necessarily be able to recompile the application to use the modified definitions.)
- b) Use a suitable shared library mechanism for linking with the Library. A suitable mechanism is one that (1) uses at run time a copy of the library already present on the user’s computer system, rather than copying library functions into the executable, and (2) will operate properly with a modified version of the library, if the user installs one, as long as the modified version is interface-compatible with the version that the work was made with.
- c) Accompany the work with a written offer, valid for at least three years, to give the same user the materials specified in Subsection 6a, above, for a charge no more than the cost of performing this distribution.
- d) If distribution of the work is made by offering access to copy from a designated place, offer equivalent access to copy the above specified materials from the same place.
- e) Verify that the user has already received a copy of these materials or that you have already sent this user a copy.

For an executable, the required form of the “work that uses the Library” must include any data and utility programs needed for reproducing the executable from it. However, as a special exception, the materials to be distributed need not include anything that is normally distributed (in either source or binary form) with the major components (compiler, kernel, and so on) of the operating system on which the executable runs, unless that component itself accompanies the executable.

It may happen that this requirement contradicts the license restrictions of other proprietary libraries that do not normally accompany the operating system. Such a contradiction means you cannot use both them and the Library together in an executable that you distribute.

7. You may place library facilities that are a work based on the Library side-by-side in a single library together with other library facilities not covered by this License, and distribute such a combined library, provided that the separate distribution of the work based on the Library and of the other library facilities is otherwise permitted, and provided that you do these two things:
 - a) Accompany the combined library with a copy of the same work based on the Library, uncombined with any other library facilities. This must be distributed under the terms of the Sections above.
 - b) Give prominent notice with the combined library of the fact that part of it is a work based on the Library, and explaining where to find the accompanying uncombined form of the same work.
8. You may not copy, modify, sublicense, link with, or distribute the Library except as expressly provided under this License. Any attempt otherwise to copy, modify, sublicense, link with, or distribute the Library is void, and will automatically terminate your rights under this License. However, parties who have received copies, or rights, from you under this License will not have their licenses terminated so long as such parties remain in full compliance.
9. You are not required to accept this License, since you have not signed it. However, nothing else grants you permission to modify or distribute the Library or its derivative works. These actions are prohibited by law if you do not accept this License. Therefore, by modifying or distributing the Library (or any work based on the Library), you indicate your acceptance of this License to do so, and all its terms and conditions for copying, distributing or modifying the Library or works based on it.
10. Each time you redistribute the Library (or any work based on the Library), the recipient automatically receives a license from the original licensor to copy, distribute, link with or modify the Library subject to these terms and conditions. You may not impose any further restrictions on the recipients’ exercise of the rights granted herein. You are not responsible for enforcing compliance by third parties with this License.
11. If, as a consequence of a court judgment or allegation of patent infringement or for any other reason (not limited to patent issues), conditions are imposed on you (whether by court order, agreement or otherwise) that contradict the conditions of this License, they do not excuse you from the conditions of this License. If you cannot distribute so as to satisfy simultaneously your obligations under this License and any other pertinent obligations, then as a consequence you may not distribute the Library at all.

For example, if a patent license would not permit royalty-free redistribution of the Library by all those who receive copies directly or indirectly through you, then the only way you could satisfy both it and this License would be to refrain entirely from distribution of the Library.

If any portion of this section is held invalid or unenforceable under any particular circumstance, the balance of the section is intended to apply, and the section as a whole is intended to apply in other circumstances.

It is not the purpose of this section to induce you to infringe any patents or other property right claims or to contest validity of any such claims; this section has the sole purpose of protecting the integrity of the free software distribution system which is implemented by public license practices. Many people have made generous contributions to the wide range of software distributed through that system in reliance on consistent application of that system; it is up to the author/donor to decide if he or she is willing to distribute software through any other system and a licensee cannot impose that choice.

This section is intended to make thoroughly clear what is believed to be a consequence of the rest of this License.

12. If the distribution and/or use of the Library is restricted in certain countries either by patents or by copyrighted interfaces, the original copyright holder who places the Library under this License may add an explicit geographical distribution limitation excluding those countries, so that distribution is permitted only in or among countries not thus excluded. In such case, this License incorporates the limitation as if written in the body of this License.
13. The Free Software Foundation may publish revised and/or new versions of the Lesser General Public License from time to time. Such new versions will be similar in spirit to the present version, but may differ in detail to address new problems or concerns. Each version is given a distinguishing version number. If the Library specifies a version number of this License which applies to it and "any later version", you have the option of following the terms and conditions either of that version or of any later version published by the Free Software Foundation. If the Library does not specify a license version number, you may choose any version ever published by the Free Software Foundation.
14. If you wish to incorporate parts of the Library into other free programs whose distribution conditions are incompatible with these, write to the author to ask for permission. For software which is copyrighted by the Free Software Foundation, write to the Free Software Foundation; we sometimes make exceptions for this. Our decision will be guided by the two goals of preserving the free status of all derivatives of our free software and of promoting the sharing and reuse of software generally.

NO WARRANTY

15. BECAUSE THE LIBRARY IS LICENSED FREE OF CHARGE, THERE IS NO WARRANTY FOR THE LIBRARY, TO THE EXTENT PERMITTED BY APPLICABLE LAW. EXCEPT WHEN OTHERWISE STATED IN WRITING THE COPYRIGHT HOLDERS AND/OR OTHER PARTIES PROVIDE THE LIBRARY "AS IS" WITHOUT WARRANTY OF ANY KIND, EITHER EXPRESSED OR IMPLIED, INCLUDING, BUT NOT LIMITED TO, THE IMPLIED WARRANTIES OF MERCHANTABILITY AND FITNESS FOR A PARTICULAR PURPOSE. THE ENTIRE RISK AS TO THE QUALITY AND PERFORMANCE OF THE LIBRARY IS WITH YOU. SHOULD THE LIBRARY PROVE DEFECTIVE, YOU ASSUME THE COST OF ALL NECESSARY SERVICING, REPAIR OR CORRECTION.
 16. IN NO EVENT UNLESS REQUIRED BY APPLICABLE LAW OR AGREED TO IN WRITING WILL ANY COPYRIGHT HOLDER, OR ANY OTHER PARTY WHO MAY MODIFY AND/OR REDISTRIBUTE THE LIBRARY AS PERMITTED ABOVE, BE LIABLE TO YOU FOR DAMAGES, INCLUDING ANY GENERAL, SPECIAL, INCIDENTAL OR CONSEQUENTIAL DAMAGES ARISING OUT OF THE USE OR INABILITY TO USE THE LIBRARY (INCLUDING BUT NOT LIMITED TO LOSS OF DATA OR DATA BEING RENDERED INACCURATE OR LOSSES SUSTAINED BY YOU OR THIRD PARTIES OR A FAILURE OF THE LIBRARY TO OPERATE WITH ANY OTHER SOFTWARE), EVEN IF SUCH HOLDER OR OTHER PARTY HAS BEEN ADVISED OF THE POSSIBILITY OF SUCH DAMAGES.
- END OF TERMS AND CONDITIONS

How to Apply These Terms to Your New Libraries

If you develop a new library, and you want it to be of the greatest possible use to the public, we recommend making it free software that everyone can redistribute and change. You can do so by permitting redistribution under these terms (or, alternatively, under the terms of the ordinary General Public License).

To apply these terms, attach the following notices to the library. It is safest to attach them to the start of each source file to most effectively convey the exclusion of warranty; and each file should have at least the "copyright" line and a pointer to where the full notice is found.

<one line to give the library's name and an idea of what it does.>

Copyright (C) year name of author

This library is free software; you can redistribute it and/or modify it under the terms of the GNU Lesser General Public License as published by the Free Software Foundation; either version 2.1 of the License, or (at your option) any later version.

This library is distributed in the hope that it will be useful, but WITHOUT ANY WARRANTY; without even the implied warranty of MERCHANTABILITY or FITNESS FOR A PARTICULAR PURPOSE. See the GNU Lesser General Public License for more details.

You should have received a copy of the GNU Lesser General Public License along with this library; if not, write to the Free Software Foundation, Inc., 59 Temple Place, Suite 330, Boston, MA 02111-1307, USA

Also add information on how to contact you by electronic and paper mail.

You should also get your employer (if you work as a programmer) or your school, if any, to sign a "copyright disclaimer" for the library, if necessary. Here is a sample; alter the names:

Yoyodyne, Inc., hereby disclaims all copyright interest in the library 'Frob' (a library for tweaking knobs) written by James Random Hacker.

signature of Ty Coon, 1 April 1990

Ty Coon, President of Vice

That's all there is to it!

Specifications

Item	60" plasma display model: PDP-6010FD	50" plasma display model: PDP-5010FD	
Number of pixels	1920 × 1080 pixels		
Audio Amplifier	17 W + 17 W (1 kHz, 10 %, 6 Ω)	17 W + 17 W (1 kHz, 10 %, 6 Ω)	
Speakers	Woofer: 4.8 cm x 13 cm cone type Tweeter: 2.5 cm semidome type	Woofer: 4.8 cm x 13 cm cone type Tweeter: 2.5 cm semidome type	
Sound Effect	SRS FOCUS/SRS/SRS TruBass		
Power Requirement	120 V AC, 60 Hz, 532 W (20 W Standby)	120 V AC, 60 Hz, 442 W (26 W Standby)	
Weight	Main unit: 55.5 kg (122.4 lbs.) Stand: 5.9 kg (13.1 lbs.) (including bolts) Speaker system: 4.8 kg (10.6 lbs.) (including cables, mounting fittings and screws) Total: 66.2 kg (145.9 lbs.)	Main unit: 38.5 kg (84.9 lbs.) Stand: 2.2 kg (4.9 lbs.) (including bolts) Speaker system: 3.3 kg (7.3 lbs.) (including cables, mounting fittings and screws) Total: 44.0 kg (97 lbs.)	
Reception System (Digital)	ATSC Digital TV system		
Circuit type	8VSB/64QAM/256QAM/QPSK demodulation		
Tuner	VHF/UHF	VHF Ch. 2 to 13 UHF Ch. 14 to 69	
CATV	Ch. 2 to 135		
Audio format	Dolby Digital		
Reception System (Analog)	American TV standard NTSC system		
Circuit type	Video signal detection PLL full synchronous detection, PLL digital Synthesizer system		
Tuner	VHF/UHF	VHF Ch. 2 to 13 UHF Ch. 14 to 69	
CATV	ANT/CABLE A IN Ch. 1 to 135 ANT B IN Ch. 1 to 125		
Audio multiplex	BTSC system		
Terminals	Rear	ANT/CABLE A IN	75 Ω UNBAL, F Type for DTV/VHF/UHF/CATV in
		ANT B IN	75 Ω UNBAL, F Type for VHF/UHF/CATV in
		INPUT 1	S-VIDEO in, VIDEO in, AUDIO in
		INPUT 2	COMPONENT VIDEO in, VIDEO in, AUDIO in
		INPUT 4	HDMI in*, AUDIO in
		PC INPUT	Analog RGB in, AUDIO in
		INPUT 5	HDMI in*, AUDIO in
		INPUT 6	HDMI in*
		INPUT 7	HDMI in*
		AUDIO OUT	AUDIO out (Fixed)
		DIGITAL OUT	Optical
		CONTROL OUT	1
		SPEAKERS	6 Ω to 16 Ω
		SUB WOOFER	Variable
		CableCARD	Point of Deployment
	Side	INPUT 3	COMPONENT VIDEO in, VIDEO in, AUDIO in
		PHONES	16 Ω to 32 Ω recommended
		USB	USB in**
On-screen display languages	English/French/Spanish		

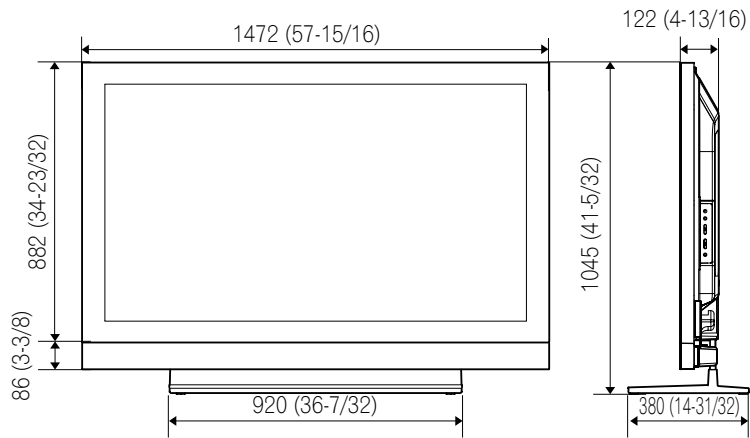
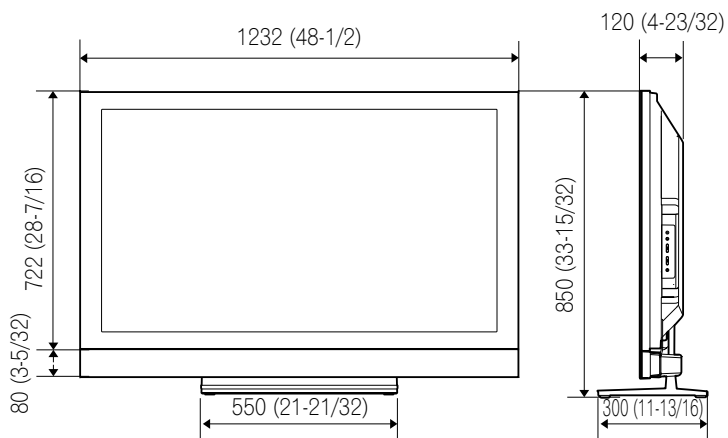
* This conforms to HDMI1.3 and HDCP1.1.

HDMI (High Definition Multimedia Interface) is a digital interface that handles both video and audio using a single cable.


HDCP (High-bandwidth Digital Content Protection) is a technology used to protect copyrighted digital contents that use the Digital Visual Interface (DVI).

** This conforms to USB 1.1 and 2.0.

• Design and specifications are subject to change without notice.

Dimensions**PDP-6010FD****Unit: mm (inch)****PDP-5010FD****Unit: mm (inch)**

Trademarks

- In the United States, TV Guide and other related marks are registered marks of Gemstar-TV Guide International, Inc. and/or one of its affiliates. In Canada, TV Guide is a registered mark of Transcontinental, Inc. and is used under license by Gemstar-TV Guide International, Inc.
-  is a trademark of SRS Labs, Inc.
- WOW technology is incorporated under license from SRS Labs, Inc.
- Manufactured under license from Dolby Laboratories. "Dolby" and the double-D symbol are trademarks of Dolby Laboratories.
- HDMI, the HDMI logo and High-Definition Multimedia Interface are trademarks or registered trademarks of HDMI Licensing LLC.
- This product includes FontAvenue® fonts licensed by NEC Corporation. FontAvenue is a registered trademark of NEC Corporation.
- DDC is a registered trademark of Video Electronics Standards Association.
- CableCARD is a trademark of Cable Television Laboratories, Inc.
- This software is based in part on the work of the independent JPEG Group.
- The names of the companies or institutions are trademarks or registered trademarks of the respective companies or institutions.

License

- The TV Guide On Screen system is manufactured under license from Gemstar-TV Guide International, Inc. and/or one of its affiliates.

Patent

- The TV Guide On Screen system is protected by one or more of the following United States patents 4,908,713; 6,498,895; 6,850,693; 6,396,546; 5,940,073; 6,239,794 to Gemstar-TV Guide International, Inc. and/or its subsidiaries.

Disclaimer Notice

- Gemstar-TV Guide International Inc. and/or its related affiliates are not in any way liable for the accuracy or availability of the program schedule information or other data in the TV Guide On Screen system and cannot guarantee service availability in your area. In no event shall Gemstar-TV Guide International, Inc. and/or its related affiliates be liable for any damages in connection with the accuracy or availability of the program schedule information or other data in the TV Guide On Screen system.

Important Notice about software upgrade from Pioneer

Attention Pioneer PDP Owners:

Thank you for purchasing a Pioneer Digital Cable Ready (DCR) compatible Plasma TV. You have purchased the most advanced product of its kind available today. However, as technology advances, DCR systems may continue to evolve. To maintain compatibility with DCR systems and features, your Plasma TV may benefit from, or require software upgrades.

As part of our commitment to our customers, Pioneer will send you upgrade software and instructions as needed to keep your DCR compatible Plasma TV up to date with this technology.

Please take the time to register your DCR compatible Plasma TV at

www.pioneerelectronics.com

This registration enables us to keep you up to date on changes that may occur.

Thank you very much.

Note:

DCR function will work only for USA.
DCR function will not work in Canada.

IMPORTANT



Ce symbole de l'éclair, placé dans un triangle équilatéral, a pour but d'attirer l'attention de l'utilisateur sur la présence, à l'intérieur du coffret de l'appareil, de "tensions dangereuses" non isolées d'une grandeur suffisante pour représenter un risque d'électrocution pour les êtres humains.

ATTENTION

DANGER D'ELECTROCUTION
NE PAS OUVRIR

ATTENTION:

POUR ÉVITER TOUT RISQUE D'ÉLECTROCUTION, NE PAS ENLEVER LE COUVERCLE (NI LE PANNEAU ARRIÈRE). AUCUNE PIÈCE RÉPARABLE PAR L'UTILISATEUR NE SE TROUVE À L'INTÉRIEUR. CONFIER TOUT ENTRETIEN À UN PERSONNEL QUALIFIÉ UNIQUEMENT.



Ce point d'exclamation, placé dans un triangle équilatéral, a pour but d'attirer l'attention de l'utilisateur sur la présence, dans les documents qui accompagnent l'appareil, d'explications importantes du point de vue de l'exploitation ou de l'entretien.

D3-4-2-1-1_Fr-A

INSTRUCTIONS DE SÉCURITÉ IMPORTANTES

- 1) Prenez connaissance du mode d'emploi.
- 2) Conservez le mode d'emploi.
- 3) Respectez les avertissements.
- 4) Respectez les instructions.
- 5) N'utilisez pas cet appareil près d'un point d'eau.
- 6) Pour nettoyer, n'utilisez qu'un chiffon sec.
- 7) N'obstruez pas les événements d'aération. Installez l'appareil conformément aux instructions du fabricant.
- 8) N'installez pas l'appareil près des appareils de chauffage (radiateurs, poêles) et des appareils qui dégagent de la chaleur (y compris les amplificateurs).
- 9) Ne tentez pas de faire échec à la sécurité qu'assurent la fiche polarisée ou la fiche à borne de masse. Une fiche polarisée possède 2 lames dont une est plus large que l'autre. Une fiche à borne de masse possède également 2 lames et en outre une broche pour la mise à la terre. La lame plus large dans un cas, et la broche dans l'autre cas, sont là pour des raisons de sécurité. Si la fiche du cordon d'alimentation fourni ne pénètre pas dans la prise secteur, demandez à un électricien de remplacer la prise obsolète.
- 10) Faites cheminer le cordon d'alimentation de manière qu'il ne puisse pas être piétiné et veillez à ce que le cordon ne soit pas écrasé, tout particulièrement au niveau des prises secteur ou de sa sortie de l'appareil.
- 11) N'utilisez aucun accessoire ni aucune option qui ne soient pas conseillés par le fabricant.
- 12) Utilisez uniquement un chariot, un support, un trépied, une console ou une table conseillés par le fabricant ou vendus avec l'appareil. Si vous optez pour un chariot, ne déplacez ce dernier et l'appareil qu'il porte qu'avec les précautions qui s'imposent pour éviter de renverser l'appareil et d'être blessé.



- 13) Pendant les orages, débranchez la fiche du cordon d'alimentation; procédez de même si vous avez l'intention de ne pas vous servir de l'appareil durant une longue période.
- 14) Les réparations doivent être effectuées par du personnel qualifié. La réparation de l'appareil est nécessaire s'il a été endommagé, si le cordon d'alimentation ou la fiche sont abîmés, si un liquide ou un objet ont pénétré dans l'appareil, ou si ce dernier a été exposé à la pluie ou à l'humidité, ne fonctionne pas normalement ou s'il est tombé.

AVERTISSEMENT: Cet appareil n'est pas étanche. Pour éviter les risques d'incendie et de décharge électrique, ne placez près de lui un récipient rempli d'eau, tel qu'un vase ou un pot de fleurs, et ne l'exposez pas à des gouttes d'eau, des éclaboussures, de la pluie ou de l'humidité. D3-4-2-1-3_A_Fr

Note à l'attention de l'installateur du système de câblodistribution

CETTE NOTE A POUR OBJET D'APPELER L'ATTENTION DE L'INSTALLATEUR DU SYSTÈME DE CÂBLODISTRIBUTION SUR L'ARTICLE 820-40 DU NEC QUI FOURNIT DES CONSEILS POUR LE RACCORDEMENT CONVENABLE À LA TERRE ET SIGNALE, EN PARTICULIER, QUE LE CÂBLE DE MASSE DOIT ÊTRE RELIÉ AU DISPOSITIF DE MISE À LA TERRE DU BÂTIMENT, AUSSI PRÈS QUE POSSIBLE DU POINT D'ENTRÉE DU CÂBLE. D1-4-2-8_Fr

AVERTISSEMENT: Cet appareil est muni d'une fiche de mise à la terre (masse) à trois fils. Comme la fiche présente une troisième broche (de terre), elle ne peut se brancher que sur une prise de courant, prévue pour une mise à la terre. Si vous n'arrivez pas à insérer la fiche dans la prise de courant, contactez un électricien qualifié pour faire remplacer la prise par une qui soit mise à la terre. N'annulez pas la fonction de sécurité que procure cette fiche de mise à la terre. D3-4-2-1-6_A_Fr

AVERTISSEMENT: Pour éviter les risques d'incendie, ne placez aucune flamme nue (telle qu'une bougie allumée) sur l'appareil. D3-4-2-1-7a_A_Fr

Ce téléviseur numérique est capable de recevoir les programmes de télévision analogiques de base, numériques de base et de télévision par câble à l'aide d'une connexion directe à un système de télévision par câble offrant ces types de programme. Une carte de sécurité fournie par votre câblo-opérateur est requise pour voir les programmes numériques chiffrés. Certains services numériques évolués et interactifs par câble tels que la vidéo à la demande, le guide des programmes du câblo-opérateur et certains services de télévision combinés avec des données peuvent nécessiter l'utilisation d'un boîtier adaptateur. Pour plus d'informations, veuillez contacter votre câblo-opérateur.

PRÉCAUTION DE VENTILATION: Lors de l'installation de l'appareil, veillez à laisser un espace suffisant autour de ses parois de manière à améliorer la dissipation de chaleur. L'espace minimum requis est indiqué à la page 17.

AVERTISSEMENT: Les fentes et ouvertures du coffret sont prévues pour la ventilation, pour assurer un fonctionnement stable de l'appareil et pour éviter sa surchauffe. Pour éviter les risques d'incendie, ne bouchez jamais les ouvertures et ne les recouvrez pas d'objets, tels que journaux, nappes ou rideaux, et n'utilisez pas l'appareil posé sur un tapis épais ou un lit.

Informations destinées à l'utilisateur

Les altérations ou modifications réalisées sans autorisation écrite convenable peuvent entraîner la déchéance de vos droits d'utilisateur.

[Pour le modèle destiné au Canada]

Cet appareil numérique de la classe B est conforme à la norme NMB-003 du Canada.

DÉCLARATION DE CONFORMITÉ AUX RÈGLES DE LA FCC

Cet appareil est conforme à la 15e partie des Règles de la FCC. Son fonctionnement est soumis aux 2 conditions suivantes: (1) Cet appareil ne doit pas produire des brouillages sérieux, et (2) il doit accepter les brouillages qu'il reçoit, y compris ceux qui peuvent provoquer un fonctionnement indésirable.

Nom de l'appareil: Système d'écran plasma

Numéro de modèle: PDP-6010FD/PDP-5010FD

Catégorie d'appareil: Ordinateurs personnels et périphériques de la classe B

Nom du tiers responsable: PIONEER ELECTRONICS SERVICE, INC.

Adresse: 1925 E. DOMINGUEZ ST., LONG BEACH, CA 90801-1760, U.S.A.

Téléphone: 800-421-1625

URL : <http://www.pioneerelectronics.com>

REMARQUE: Cet appareil est conforme aux spécifications de la 15e partie des Règles de la Commission Fédérale des Communications (FCC). Ces limites ont été définies pour assurer une protection suffisante contre des brouillages nuisibles dans une zone résidentielle. Cet appareil génère, utilise et émet des signaux radioélectriques et s'il n'est pas installé et employé conformément aux prescriptions de son mode d'emploi, il peut provoquer des brouillages des communications radio. Toutefois, il n'y a pas de garantie que les brouillages n'aient pas lieu dans une installation particulière. Si cet appareil provoque effectivement des brouillages de la réception de la radio et de la télévision, ce qui peut être déterminé en arrêtant l'appareil puis en le remettant en marche, il est conseillé à l'utilisateur d'essayer d'y remédier, au moyen de l'une ou de plusieurs des mesures suivantes:

- Réorienter ou déplacer l'antenne réceptrice.
- Augmenter la distance entre l'appareil et le récepteur.
- Connecter l'appareil à une prise secteur d'un circuit différent de celui auquel est connecté le récepteur.
- Consulter le revendeur ou un technicien compétent de radio ou de télévision.

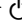
D8-10-1-2_Fr

PRÉCAUTION: Cet appareil est conforme aux spécifications de la FCC si des câbles et des connecteurs blindés sont utilisés pour son raccordement à d'autres appareils. Pour limiter les risques de brouillage électromagnétique d'appareils électriques tels que récepteurs de radio ou de télévision, effectuez les raccordements au moyen de câbles et de connecteurs blindés.

D8-10-3a_Fr

REMARQUE IMPORTANTE – LE NUMÉRO DE SÉRIE DE CET APPAREIL SE TROUVE SUR LE PANNEAU ARRIÈRE. VEUILLEZ NOTER CE NUMÉRO SUR LA CARTE DE GARANTIE FOURNIE QUE VOUS PLACEREZ ENSUITE EN LIEU SÛR. CELA, POUR DES RAISONS DE SÉCURITÉ.

D1-4-2-6-1_Fr

ATTENTION: L'interrupteur  de cet appareil ne coupe pas complètement celui-ci de sa prise secteur. Comme le cordon d'alimentation fait office de dispositif de déconnexion du secteur, il devra être débranché au niveau de la prise secteur pour que l'appareil soit complètement hors tension. Par conséquent, veillez à installer l'appareil de telle manière que son cordon d'alimentation puisse être facilement débranché de la prise secteur en cas d'accident. Pour éviter tout risque d'incendie, le cordon d'alimentation sera débranché au niveau de la prise secteur si vous prévoyez une période prolongée de non utilisation (par exemple avant un départ en vacances).

D3-4-2-2-2a_A_Fr

STANDBY: Quand l'appareil est en mode veille, l'alimentation principale est coupée et l'appareil ne peut pas être utilisé.

Témoin STANDBY/ON: Le témoin est allumé en rouge quand l'appareil est en mode veille et en bleu quand l'alimentation principale est en service.

Milieu de fonctionnement

Température et humidité du milieu de fonctionnement :

De +0 °C à +40 °C (de +32 °F à +104 °F); Humidité relative inférieure à 85 % (orifices de ventilation non obstrués) N'installez pas l'appareil dans un endroit mal ventilé ou un lieu soumis à une forte humidité ou en plein soleil (ou à une forte lumière artificielle).

D3-4-2-1-7c_A_Fr

Nous vous remercions d'avoir acquis cet appareil Pioneer.

Veillez lire attentivement ce mode d'emploi pour être en mesure d'utiliser l'appareil convenablement. La lecture de ce mode d'emploi terminée, conservez-le dans un endroit sûr pour référence.

Dans certains pays ou régions, la forme de la prise secteur et celle de la fiche du cordon d'alimentation peuvent différer des illustrations de ce document. Toutefois, la manière de brancher le cordon et d'utiliser l'appareil est la même.

Sauf indication contraire, les illustrations se trouvant dans ce manuel représentent le modèle PDP-5010FD.

Table des matières

01 Informations importantes pour l'utilisateur	7	Modification du volume et du son.....	35
02 Précautions de sécurité	10	Sélection de la langue.....	35
Précautions d'installation	11	Sélection du canal audio (MTS et SAP)	36
03 Accessoires fournis	12	Affichage d'une bannière de chaîne... ..	37
Accessoires de support (PDP-6010FD seulement)	12	Utilisation des services POD	37
Accessoires pour enceintes	13	Utilisation des fonctions d'affichage multiple	37
04 Nomenclature	14	Partage d'écran	37
Écran plasma	14	Gel d'une image.....	38
Boîtier de télécommande.....	16	07 Configuration du système TV Guide On Screen™	39
05 Préparation	17	Présentation du système TV Guide On Screen™	39
Installation de l'écran plasma.....	17	Configuration du système TV Guide On Screen™	39
Déplacement de l'écran plasma.....	17	08 Menu principal (HOME MENU).....	42
Pose du support Pioneer.....	17	Présentation du menu principal (HOME MENU)	42
Installation des enceintes Pioneer	18	Utilisation du menu principal (HOME MENU)	42
Lors de l'utilisation du support mural (PDP-6010FD)	22	09 Inst. du tuner	43
Lors de l'utilisation du support mural (PDP-5010FD)	26	Réglage des chaînes de télévision.....	43
Pour empêcher l'écran plasma de se renverser	27	Utilisation de la présélection automatique de chaîne	43
Dépose du support Pioneer	28	Réglage pour sauter les chaînes indésirables	43
Connexion des câbles pour les chaînes de télévision numérique et/ou ordinaire	30	Réglage manuel des chaînes de télévision.....	43
Introduction de la carte CableCARD™	30	Vérification de la puissance du signal ...	43
Cheminement des câbles	31	Vérification de l'identité de la carte CableCARD™	44
Connexion du cordon d'alimentation.....	31	Contrôle parental.....	44
Préparation du boîtier de télécommande	32	Changement de mot de passe.....	44
Portée du boîtier de télécommande	32	Effacement du mot de passe	45
06 Opérations de base	33	Mise en service de la restriction parentale.....	45
Mise en service.....	33		
Mise hors service	33		
Pour regarder une chaîne de télévision ...	34		
Sélection de l'antenne	34		
Sélection des chaînes	34		

Utilisation du classement volontaire des films (MPAA).....	45	Recherche par mot-clé	55
Utilisation du classement des émissions de télévision	45	Recherche alphabétique	55
Utilisation du classement parental des émissions de télévision (Lignes directrices pour la télévision)	46	Menu de recherche Episode Options.....	56
Interdiction des émissions de télévision non classées	46	Programmation de rappels.....	56
Systèmes de classement en vigueur au Canada	46	Utilisation de la liste To Do de rappel	57
Utilisation du classement pour les Canadiens anglophones	47	Changement des options de configuration.....	57
Utilisation du classement pour les Canadiens francophones.....	47	Changement des réglages du système	57
Réglage de nouvelles valeurs	47	Changement des réglages d'affichage de chaîne	58
Suppression des nouvelles valeurs.....	48	Changement des options par défaut....	59
Mise hors service temporaire de la restriction parentale	48	Affichage de progression configuration	59
Sélection des chaînes favorites	49	11 Réglages et mises au point	60
Utilisation des sous-titres codés.....	49	Sélection AV	60
Mise en service du sous-titrage codé	49	Réglages de base de l'image.....	61
Sélection du type de sous-titrage codé ordinaire	49	Réglages avancés de l'image	61
Sélection du sous-titrage codé numérique	49	Utilisation de PureCinema	61
Sélection des paramètres du sous-titrage codé numérique	50	Utilisation de Détail image.....	62
Réglage de l'horloge	50	Utilisation de Temp. Couleur	62
		Utilisation de CTI	62
		Élimination du bruit des images.....	62
		Comparaison des réglages d'image sur l'écran.....	63
10 Utilisation du système TV Guide On Screen™	51	Réglages du son	63
Utilisation du système TV Guide On Screen™	51	Commande alimentation	64
Éléments d'écran.....	51	Économie d'énergie	64
Écran Listings.....	52	Mise hors service en l'absence de signal (source AV uniquement)	64
Réglage des rappels d'émission.....	52	Mise hors service en l'absence d'opération (source AV uniquement) ...	65
Recherche d'émissions	54	Gestion alimentation (source PC uniquement)	65
Recherche par catégorie	54	Minut. Extinction.....	65
		Réglage de la position de l'image (source AV uniquement)	66

Réglages automatiques de la position de l'image et de l'horloge (source PC uniquement)	66	Lancement d'un écran page de vignettes	77
Réglages manuels de la position de l'image et de l'horloge (source PC uniquement)	66	Lancement d'un écran standard à une image	77
Réduction de bruit vidéo	67	Lancement de l'écran de configuration de diaporama	78
Sélection d'un mode jeu	67	Lancement du diaporama	78
Sélection manuelle d'un format d'écran.....	67	13 Utilisation de la commande HDMI	79
Sélection automatique d'un format d'écran	68	Utilisation des fonctions de la commande HDMI	79
Détection de caches latéraux	68	Connexions pour la commande HDMI.....	80
Modification de la luminosité de chaque côté de l'écran (Cache latéral).....	68	Réglage de la commande HDMI.....	81
Capteur de luminosité ambiante	69	Utilisation des menus de commande HDMI	82
Luminosité DEL bleue.....	69	14 Particularités du boîtier de télécommande	83
Orbiteur.....	69	Préréglage des codes de fabricant pour commander d'autres appareils	83
Mire vidéo	69	Préréglage des codes de fabricant	83
Choix de la langue	69	Recherche bibliothèque	83
12 Emploi d'un appareil extérieur.....	70	Réinitialisation aux réglages de l'usine	83
Appareil extérieur.....	70	Codes de programmation	84
Affichage des images d'un lecteur de DVD	70	Utilisation du boîtier de télécommande pour agir sur d'autres appareils	89
Affichage des images d'un magnétoscope.....	70	15 Annexe	93
Utilisation de l'entrée HDMI	71	Guide de dépannage	93
Utilisation d'une console de jeu ou d'un caméscope	73	Caractéristiques techniques	95
Connexion d'autres appareils audio.....	73		
Affichage des images d'un ordinateur personnel	74		
Tableau de compatibilité ordinateur	74		
Connexion des câbles de commande	75		
Utilisation de l'interface USB (Fonction Home Gallery).....	76		
Connexion d'un appareil USB.....	76		
Déconnexion d'un appareil USB.....	76		
Lancement de l'écran Home Gallery initial	77		

Chapitre 1

Informations importantes pour l'utilisateur

Veillez lire attentivement ces informations de manière à profiter au mieux de l'écran plasma Pioneer PDP-6010FD/PDP-5010FD.

Avec le Pioneer PDP-6010FD/PDP-5010FD, vous disposez d'un écran plasma de qualité qui assurera un service fiable et de longue durée. Afin de vous offrir des images de qualité exceptionnelle, cet écran plasma Pioneer bénéficie d'une conception et d'une fabrication de très haut niveau, et incorpore les dernières avancées technologiques.

Le Pioneer PDP-6010FD/PDP-5010FD intègre la plus récente technologie de filtre couleur – Filtre Couleur Direct. Ceci améliore la reproduction des couleurs/images de ces modèles par rapport aux modèles précédents. Ceci élimine aussi la nécessité de mettre un panneau de verre physique devant l'écran plasma, et sert le but continu de Pioneer de réduction des déchets dans les produits électroniques grand public, aussi bien au moment de leur fabrication qu'au moment de leur recyclage dans le futur.

Avec le temps, la luminosité de l'écran plasma Pioneer PDP-6010FD/PDP-5010FD diminuera légèrement, tout comme dans le cas des écrans à tube cathodoluminescents (écran des téléviseurs habituels). Pour profiter longtemps des belles images lumineuses que produit l'écran plasma Pioneer, lisez ce qui suit et respectez les consignes qui vous sont données.

Instructions d'usage

Tous les écrans cathodoluminescents (y compris ceux des téléviseurs habituels) peuvent être détériorés par l'affichage prolongé d'images fixes. Les écrans plasma ne font pas exception à cette règle. Les images rémanentes et les effets permanents peuvent être évités en prenant quelques précautions simples. En suivant les consignes qui vous sont données ci-dessous, vous vous assurez d'obtenir des résultats satisfaisants de l'écran plasma:

- Dans toute la mesure du possible, évitez l'affichage de la même image, ou d'une image pratiquement fixe (par exemple, les images à sous-titrage codé et les images statiques des jeux vidéo).
- Évitez de faire apparaître, pendant une période prolongée, l'affichage sur écran produit par un lecteur de DVD, un magnétoscope ou d'autres appareils similaires.
- Ne conservez pas longtemps une image fixe consécutive à une pause ou un arrêt sur image qu'un magnétoscope, un lecteur de DVD et tout autre appareil similaire sont capables de produire.
- Les images comportant côte à côte des zones très lumineuses et des zones très sombres ne doivent pas, non plus, demeurer sur l'écran pendant de longues périodes.
- Lorsque vous utilisez un jeu, nous vous conseillons vivement d'employer le mode "JEU" de "Sélection AV". Veillez également à ce que les sessions de jeu ne dépassent pas deux heures.
- Après un jeu, ou bien après l'affichage d'une image fixe provenant d'un ordinateur ou autre, il est souhaitable de passer des images animées avec les réglages "LARGE" ou "PLEIN" pendant une période supérieure à trois fois la durée de l'image fixe précédemment affichée.
- Lorsque vous n'utilisez plus l'écran plasma, n'oubliez pas de repasser en mode "STANDBY".
- Un affichage prolongé d'une image avec un cache supérieur, inférieur ou latéral peut causer une usure irrégulière. Après un affichage d'une image masquée, il est recommandé d'afficher un contenu vidéo plein écran pendant une période aussi longue ou plus longue.

Instructions d'installation

L'écran plasma Pioneer PDP-6010FD/PDP-5010FD présente une très faible épaisseur. Pour des raisons de sécurité et pour éviter que l'appareil ne puisse se renverser en cas de vibration ou contact accidentel, veillez à fixer ou à installer l'écran plasma de la manière convenable.

Cet appareil doit être installé en faisant usage des pièces et des accessoires conçus par Pioneer, à l'exclusion de tous autres. L'emploi d'accessoires autres que le support et l'applique Pioneer peut se traduire par une instabilité de l'appareil qui peut être la cause d'une blessure. Dans le cas où vous désirez une installation spéciale, consultez le magasin où vous avez acheté l'appareil. Pour vous garantir une installation correcte et sûre, il est préférable de vous adresser à un technicien expérimenté et qualifié.

Pioneer ne sera en aucun cas tenue responsable de tout accident ou dommage dû à l'emploi de pièces et d'accessoires d'une autre marque, à une installation ou une stabilisation inadéquate, à une utilisation erronée, à une transformation, ou à une catastrophe naturelle.

Pour éviter toute anomalie et toute surchauffe, veillez à ce que les ouvertures de l'appareil ne soient pas obstruées de manière que la chaleur puisse s'évacuer. Pour garantir la dissipation convenable de la chaleur:

- Éloignez légèrement l'appareil des autres équipements, des murs, etc. L'espace minimum requis est indiqué à la page 17.
- N'introduisez pas l'appareil dans un espace exigu où la ventilation est médiocre.
- Ne recouvrez pas l'appareil d'un linge, etc.
- Au moyen d'un aspirateur réglé à la puissance minimale, nettoyez périodiquement les ouvertures latérales et arrière pour supprimer les poussières qui pourraient s'y accumuler.
- Ne posez l'appareil ni sur un tapis ni sur une couverture.
- Ne laissez pas l'appareil incliné.
- Ne retournez pas l'appareil.

L'utilisation de l'appareil sans ventilation convenable peut provoquer une élévation de la température intérieure qui peut se traduire par une anomalie de fonctionnement. Lorsque la température ambiante ou interne excède une certaine valeur, l'écran se met de lui-même hors tension pour que les circuits électroniques puissent se refroidir et que tous les risques soient ainsi écartés.

Une anomalie de fonctionnement peut être provoquée par de multiples facteurs: choix d'un emplacement d'installation qui ne convient pas, assemblage, installation et montage non conformes, utilisation anormale de l'appareil, modifications de l'appareil. Toutefois, Pioneer ne saurait être tenue responsable de ces anomalies.

 Remarque

Les symptômes suivants sont des effets typiques et caractéristiques des écrans matriciels à revêtement cathodoluminescent, et comme tels, ils ne sont pas couverts par les garanties limitées du fabricant:

- Rémanence d'image permanente sur les luminophores du panneau.
- Existence d'un nombre négligeable de cellules lumineuses inactives.
- Sons propres au panneau, par exemple: bruit de ventilateur de refroidissement et ronflement de circuit électrique/ bourdonnement de panneau de verre.

Attention

Pioneer ne saurait être tenue responsable des dommages survenant à la suite d'un usage incorrect de l'appareil, par vous-même ou d'autres personnes, des anomalies de fonctionnement, des perturbations que l'appareil peut causer à d'autres équipements à moins que sa responsabilité soit clairement engagée.

Fonction de protection de l'écran plasma

Lorsque vous affichez des images fixes (photos ou images fournies par un ordinateur) pendant une longue période, la luminosité de l'écran est légèrement réduite. Cette disposition automatique résulte de l'action d'une fonction de protection de l'écran plasma qui atténue sa luminosité dès que la présence d'une image fixe est détectée; il ne s'agit donc pas d'une anomalie de fonctionnement. La baisse de luminosité survient après qu'une image fixe a été détectée pendant environ trois minutes.

Information sur les défauts de pixel

Voir ci-après les informations concernant les pixels des écrans plasma. Les écrans plasma Pioneer contiennent un très grand nombre de pixels. (Plus de 3,1 millions de pixels pour un écran 50 pouces/60 pouces.). Tous les écrans Pioneer sont fabriqués avec une technologie de précision de très haut niveau et sont soumis individuellement à un contrôle de qualité très strict.

Dans de rares cas, quelques pixels peuvent être constamment éteints, ou allumés, donnant lieu à un pixel noir ou de couleur constamment fixé sur l'écran.

Cet effet est commun à tous les écrans plasma car il résulte de la technologie.

Si les pixels défectueux sont visibles à une distance normale comprise entre 2,5 et 3,5 mètres (8,2 et 11,5 pieds) en regardant une émission normale (c'est-à-dire pas une mire d'essai, une image fixe ou un affichage d'une seule couleur), veuillez contacter le département de service clientèle (USA) ou le département de service de satisfaction de la clientèle (CANADA) Pioneer. Reportez-vous au dos de couverture.

Si, toutefois, ils ne sont visibles que de près ou lors d'affichages d'une seule couleur, cela est normal pour cette technologie.

Rayonnement infrarouge

En raison de ses caractéristiques mêmes, l'écran plasma émet un rayonnement infrarouge. Selon la manière dont l'écran plasma est utilisé, le fonctionnement des boîtiers de télécommande des appareils à proximité de l'écran peut être profondément perturbé; pareillement des casques d'écoute sans fil qui sont alors brouillés. Dans une telle situation, changez l'emplacement de l'appareil pour que son capteur de télécommande soit hors de la zone de perturbation.

Brouillage radioélectrique

Bien que cet appareil réponde aux caractéristiques exigées, il faut savoir qu'il génère un faible brouillage. Si vous placez un récepteur de radio AM, un ordinateur personnel ou un magnétoscope dans le voisinage de cet appareil, leur fonctionnement peut être perturbé par le brouillage. Dans ce cas, éloignez l'appareil concerné.

Bruit de fonctionnement d'écran plasma

L'affichage de l'écran plasma est composé de pixels extrêmement fins et ces pixels émettent de la lumière en fonction des signaux vidéo reçus. Ce principe peut faire qu'un bourdonnement ou un ronflement électrique venant de l'écran plasma soit audible.

Ne collez aucune étiquette ni aucun ruban sur l'appareil

- Cela peut décolorer ou rayer la carrosserie.

Si vous n'utilisez pas l'appareil pendant une longue période

- Si vous laissez l'appareil non utilisé pendant longtemps, son fonctionnement peut en être affecté. Mettez l'appareil en service et faites-le fonctionner régulièrement.

Condensation

- De la condensation peut se former à la surface ou à l'intérieur de l'appareil quand on le déplace rapidement d'un endroit froid à un endroit chaud ou, par exemple, quand on vient d'allumer un appareil de chauffage par un matin froid. Si de la condensation se forme, ne pas mettre l'appareil en service tant qu'elle n'a pas disparu. L'utilisation de l'appareil avec de la condensation peut donner lieu à une panne.

Nettoyage de la surface de l'écran et de la surface brillante de la carrosserie avant

- Pour nettoyer la surface de l'écran ou la surface brillante de la carrosserie avant, essuyez-la doucement avec un chiffon doux et sec; le chiffon de nettoyage fourni ou tout autre chiffon similaire (par exemple, en coton ou flanelle). Si vous utilisez un chiffon sale ou dur ou si vous essuyez excessivement fort, la surface peut être rayée.
- Si vous utilisez un chiffon humide pour le nettoyage de l'écran, des gouttelettes d'eau peuvent pénétrer dans l'appareil et provoquer une anomalie de fonctionnement.

Nettoyage de la carrosserie

- Pour nettoyer la carrosserie de cet appareil, essuyez-la doucement avec un chiffon doux et propre (par exemple, en coton ou flanelle). Si vous utilisez un chiffon sale ou dur ou si vous essuyez excessivement fort, la surface peut être rayée.
- La carrosserie de cet appareil est essentiellement composée de matières plastiques. N'utilisez aucun produit chimique tel que de l'essence ou du diluant pour la nettoyer. Ces produits chimiques peuvent endommager la finition ou le revêtement.
- N'exposez pas l'appareil à des gaz ni à des liquides volatils tels que les insecticides. Ne mettez pas l'appareil en contact prolongé avec des produits en caoutchouc ou en vinyle. Le plastifiant de ces produits peut donner lieu à une dégradation de la qualité, ou à la disparition, du revêtement de l'appareil.
- Si vous utilisez un chiffon humide pour le nettoyage de la carrosserie, des gouttelettes d'eau peuvent pénétrer dans l'appareil et provoquer une anomalie de fonctionnement.

Poignées placées à l'arrière de l'écran plasma

- Ne déposez pas les poignées situées à l'arrière de l'écran plasma.
- Pour déplacer l'écran plasma, faites-vous aider par une autre personne et utilisez les poignées fixées à l'arrière de l'écran plasma. Ne déplacez pas l'écran plasma en ne vous aidant que d'une seule poignée. Utilisez les poignées de la manière illustrée à la page 17.
- N'utilisez pas les poignées pour suspendre l'appareil au cours de son installation ou de son transport. N'utilisez pas les poignées pour empêcher la chute de l'appareil.

Bruit de moteur de ventilateur

La vitesse de rotation du moteur de ventilateur de refroidissement augmente quand la température ambiante de l'écran plasma devient élevée. Le son du moteur de ventilateur peut alors être audible.

Pour utiliser cet appareil pendant longtemps

La fonction d'économie d'énergie maintient l'efficacité de l'écran pendant longtemps en réduisant la luminosité de l'image et en diminuant la consommation d'énergie. Le réglage de la fonction d'économie d'énergie sur "Mode 1" est recommandé pour une meilleure efficacité.

Taille de la fenêtre de menu à la suite d'un changement de format vidéo

La définition du programme que vous regardez peut être haute (HD) ou standard (SD). Cet écran plasma est conçu pour s'ajuster automatiquement à chaque type de définition. Si la définition de l'écran plasma change pendant qu'il affiche un menu (par exemple: HD → SD ou SD → HD), les dimensions du menu peuvent momentanément augmenter ou diminuer jusqu'à ce que l'ajustement soit accompli. Ceci peut se produire, par exemple, quand vous faites une commutation entre télévision et un enregistreur vidéo numérique externe (D-VHS), ou quand votre programme enregistré effectue un changement entre différents types de définition, tandis que le menu sur écran est affiché.

Le cas échéant, le menu reviendra aux dimensions normales au bout de deux ou trois secondes. Ce fonctionnement est normal et non signe d'un problème avec l'écran plasma.

Rémanence d'image

Quand une image statique est laissée sur l'écran pendant plusieurs heures, une légère trace de l'image, connue sous le nom de rémanence d'image peut rester sur l'écran. La rémanence d'image peut être temporaire ou permanente. Bien qu'elle ait des causes différentes, la rémanence d'image peut se produire sur toutes les technologies d'affichage, y compris les écrans à cristaux liquides et plasma. Sur les écrans plasma de nos jours, la rémanence d'image permanente n'est heureusement plus qu'un souvenir. La plupart des rémanences d'image peuvent être corrigées simplement en regardant des images en mouvement.

La rémanence d'image aussi connue sous le nom de brûlure d'écran, peut se produire sur tous les systèmes d'affichage cathodoluminescent (y compris les systèmes à tube cathodique – en vue directe ou en projection – de même que sur les écrans à cristaux liquides ou plasma). Évitez d'afficher la même image fixe pendant une longue période car une rémanence d'image ou une brûlure d'écran permanente peut se produire. Nous vous recommandons de prendre les mesures suivantes:

N'affichez pas une image statique pendant une période prolongée (telle qu'une image gelée, une image fixe d'un ordinateur ou d'un jeu vidéo et/ou une image avec un motif fixe telle que l'indicateur de date ou le logo de la chaîne).

N'affichez pas une image au format 4:3 (avec des bandes noires ou grises sur les côtés gauche et droit) ou au format boîte aux lettres (avec des bandes noires en haut et en bas) pendant une période prolongée, ni n'utilisez un de ces formats d'image répétitivement pendant une courte période de temps. Cet écran plasma est muni de multiples modes d'affichage d'écran large; utilisez un de ces modes pour remplir tout l'écran avec l'image.

Afficher des images sombres après avoir affiché une image fixe pendant une période prolongée peut entraîner une rémanence d'image. Dans la plupart des cas, la rémanence d'image peut être corrigée en affichant des images lumineuses pendant une période de temps équivalente.

Si vous affichez des images fixes sur votre écran plasma pendant de longues périodes de temps, la rémanence d'image peut être irréparable.

Attention

Rémanence d'image sur le panneau

- L'affichage de la même image pendant une longue période peut provoquer une rémanence de cette image. Cela peut spécialement se produire dans les circonstances suivantes.

1 Image rémanente due à la charge électrique

Si une image présentant des zones très lumineuses est affichée pendant plus d'une minute, une image rémanente produite par la charge électrique importante peut en résulter. Cette image rémanente s'estompe peu à peu dès qu'une image animée la remplace. Le temps requis pour la disparition de l'image dépend de la luminosité de l'image fixe qui lui a donné naissance et du temps d'exposition de cette image.

2 Image rémanente due au brûlage

Évitez d'afficher sur l'écran plasma la même image pendant une longue période de temps. Si la même image demeure sur l'écran pendant plusieurs heures, ou encore apparaît tous les jours au cours d'une période plus courte mais répétée, une image rémanente peut être produite par brûlage de la couche fluorescente de l'écran. Cette image rémanente devient moins visible après l'affichage d'images animées mais elle ne disparaît jamais complètement.

Remarque

- Quand un menu de programme, un écran TV Guide ou une image gelée est affichée pendant 5 à 10 minutes, le système coupe l'image automatiquement pour éviter tout problème de brûlure d'écran.
- Pour minimiser la rémanence d'image, la position d'affichage est automatiquement changée de façon imperceptible quand on regarde l'écran plasma. Certaines parties de l'image peuvent ne pas être visibles (voir *Orbiteur* de page 69).

Pour minimiser les dommages des brûlures d'écran

- Réglez la fonction de détection de caches latéraux sur "Marche". Les images de format 16:9 en haute définition contenant des caches latéraux seront détectées automatiquement et des caches latéraux seront ajoutés ou l'image sera affichée sur la totalité de l'écran.
- Nous recommandons d'afficher les images sur la totalité de l'écran, sauf quand cela peut donner lieu à une violation de droits d'auteur. L'utilisation d'images affichées dans des formats d'écran différents de la vidéo d'origine dans un but lucratif ou en émission pour visualisation publique peut donner lieu à une violation des droits du détenteur des droits d'auteur (voir page 68).

Attention

NE POSEZ PAS L'APPAREIL SUR UNE TABLE, UN CHARIOT, UN SUPPORT, UN TRÉPIED, UNE CONSOLE INSTABLES. L'APPAREIL POURRAIT TOMBER, PROVOQUANT DES BLESSURES GRAVES OU DES DOMMAGES PHYSIQUES IMPORTANTS. UTILISEZ UNIQUEMENT UN CHARIOT, UN SUPPORT, UN TRÉPIED, UNE CONSOLE OU UNE TABLE CONSEILLÉS PAR LE FABRICANT OU VENDUS AVEC L'APPAREIL. RESPECTEZ LES INSTRUCTIONS DU FABRICANT POUR TOUT CE QUI CONCERNE L'INSTALLATION DE L'APPAREIL ET L'EMPLOI DES ACCESSOIRES DE MONTAGE QU'IL CONSEILLE.

L'ENSEMBLE QUE FORME UN APPAREIL ET LE CHARIOT À L'AIDE DUQUEL ON LE DÉPLACE, DOIT ÊTRE MANŒVRÉ AVEC PRÉCAUTION. LES ARRÊTS BRUSQUES, LES POUSSÉES EXCESSIVES ET LES IRRÉGULARITÉS DU PLANCHER, PEUVENT PROVOQUER LE BASCULEMENT DU CHARIOT ET LA CHUTE DE L'APPAREIL.



Chapitre 2

Précautions de sécurité

L'électricité permet de disposer d'un grand nombre de fonctions utiles mais elle peut être la source de blessures et de dommages matériels si certaines précautions ne sont pas respectées. Cet appareil a été conçu et fabriqué en tenant le plus grand compte de la sécurité. Toutefois, son utilisation incorrecte peut conduire à ressentir une secousse électrique, ou à provoquer un incendie. Pour éviter tout risque potentiel, observez les instructions qui suivent lorsque vous installez, utilisez ou nettoyez l'appareil. Pour votre sécurité et pour prolonger la durée de service de l'appareil, lisez soigneusement ce qui suit avant de l'utiliser.

1. Prenez connaissance du mode d'emploi—Vous devez lire toutes les instructions relatives à la sécurité et au fonctionnement avant de faire usage de l'appareil.
2. Conservez le mode d'emploi—De manière à pouvoir vous y reporter ultérieurement, conservez soigneusement les instructions relatives à la sécurité et au fonctionnement.
3. Observez les mises en garde—Toutes les mises en garde apposées sur l'appareil ou mentionnées dans le mode d'emploi doivent être observées.
4. Respectez les instructions — Toutes les instructions d'utilisation doivent être respectées.
5. Nettoyage — Débranchez la fiche du cordon d'alimentation avant de nettoyer cet appareil. Pour nettoyer cet appareil, utilisez le chiffon fourni ou tout autre chiffon doux (p. ex., en coton ou flanelle). N'utilisez aucun liquide de nettoyage ni aucun aérosol.
6. Accessoires — N'utilisez aucun accessoire qui ne soit pas conseillé par le fabricant. Tout accessoire non conseillé peut entraîner un accident.
7. Eau et humidité — N'utilisez pas l'appareil près d'un point d'eau tel que baignoire, lavabo, évier, machine à laver, piscine, ni dans un sous-sol humide.
8. Support — Ne posez pas l'appareil sur une table, un chariot, un support, un trépied, une console instables. L'appareil pourrait tomber, être gravement endommagé ou sérieusement blesser quelqu'un. Utilisez uniquement un chariot, un support, un trépied, une console ou une table conseillé par le fabricant ou vendu avec l'appareil. Si l'appareil doit être fixé à un mur, respectez scrupuleusement les instructions de montage du fabricant. N'utilisez que les accessoires de montage conseillés par le fabricant.
9. Si vous déplacez l'appareil posé sur un chariot, manœuvrez celui-ci avec précaution. Des arrêts brusques, une poussée excessive, des irrégularités à la surface du sol peuvent provoquer la chute de l'appareil.



10. Ventilation — Les événements et autres ouvertures de la carrosserie sont destinés à la ventilation. Ne les couvrez pas, ne les obstruez pas car une réduction de la ventilation peut entraîner une augmentation de la température interne de l'appareil et par voie de conséquence une diminution de sa durée de vie. Ne posez pas l'appareil sur un lit, un canapé, un tapis ou une surface similaire car cela pourrait conduire à l'obstruction des ouvertures de ventilation. Cet appareil n'a pas été conçu pour être encastré; ne l'installez pas dans un endroit clos tel qu'une bibliothèque fermée ou une baie, à moins que la ventilation convenable puisse être assurée conformément aux instructions fournies par le fabricant.
11. Alimentation — Cet appareil ne doit être alimenté qu'à partir d'une source conforme à l'indication que porte la plaquette signalétique. Si vous ne connaissez pas la nature de la source, prenez conseil du distributeur ou de la compagnie d'électricité.

12. Protection du cordon d'alimentation — Le cordon d'alimentation doit cheminer de manière qu'on ne puisse pas le piétiner, ni qu'il soit écrasé par un meuble ou un objet lourd. Examinez soigneusement le cheminement du cordon d'alimentation près de la prise secteur et au point de sortie de l'appareil.
13. Le panneau de l'écran plasma est en verre. Il peut donc être brisé par la chute de l'appareil, ou par un choc. En cas de casse du panneau de l'écran plasma, veillez à ne pas être blessé par les débris.
14. Surcharge — Ne surchargez pas les prises secteur ou les rallonges. Cela peut entraîner un incendie, ou encore vous exposer à une secousse électrique.
15. Introduction d'objets étrangers ou de liquide — N'introduisez aucun objet dans les ouvertures de l'appareil. Des tensions élevées existent à l'intérieur de l'appareil, en sorte que le contact d'un objet avec les points portés à haute tension peut entraîner un incendie, ou encore vous exposer à une secousse électrique. Pour les mêmes raisons, ne renversez ni eau ni autre liquide sur l'appareil.
16. Entretien — Ne tentez pas de réparer cet appareil par vous-même. La dépose des capots peut vous exposer à des tensions dangereuses ou à d'autres risques. Faites entretenir l'appareil par du personnel qualifié pour cela.
17. Réparations — Dans l'un des cas ci-dessous, débranchez la fiche du cordon d'alimentation et faites vérifier ou réparer l'appareil par du personnel qualifié pour cela.
 - a. Le cordon ou la fiche d'alimentation est endommagé.
 - b. Un liquide a été renversé sur l'appareil, ou encore un objet étranger a été introduit dans l'appareil par une de ses ouvertures.
 - c. L'appareil a été exposé à la pluie ou à l'eau.
 - d. L'appareil est tombé, ou sa carrosserie a été endommagée.
 - e. Le fonctionnement anormal de l'appareil est évident. Toute anomalie de fonctionnement visible justifie que l'appareil soit apporté à un service après-vente.
18. Pièces de rechange — Si une pièce doit être remplacée, assurez-vous auprès du service de réparation qu'elle le sera par la pièce prescrite par le fabricant ou une pièce ayant des caractéristiques et des performances identiques. L'utilisation d'une pièce non conforme à l'original peut entraîner un incendie, ou vous exposer à une secousse électrique ou à d'autres dangers.
19. Contrôle de sécurité — Après toute intervention sur cet appareil, exigez du service de réparation qu'il effectue un contrôle de sécurité afin de s'assurer que l'appareil peut être utilisé sans danger.
20. Fixation à un mur ou au plafond — Si l'appareil doit être fixé à un mur ou au plafond, assurez-vous que cela sera exécuté conformément à la méthode conseillée par le fabricant.
21. Sources de chaleur — Gardez l'appareil loin des appareils de chauffage (radiateurs, poêles) et des appareils qui dégagent de la chaleur (y compris les amplificateurs).
22. Débranchez la fiche du cordon d'alimentation avant d'installer les enceintes.
23. Veillez à ce que l'écran plasma ne soit pas heurté. Un choc ou un impact pourrait provoquer la rupture du panneau, ce qui pourrait entraîner un incendie ou causer des blessures.
24. N'exposez pas l'écran plasma à la lumière directe du soleil pendant une longue période. Les caractéristiques optiques du panneau protecteur avant seraient modifiées, ce qui se traduirait par des décolorations et des déformations.
25. L'écran plasma pèse environ 66,2 kg (145,9 livres) dans le cas du modèle PDP-6010FD (y compris le support et les enceintes) et environ 44,0 kg (97 livres) dans le cas du modèle PDP-5010FD (y compris le support et les enceintes). En raison de sa faible profondeur, cet appareil est instable et doit être déballé, transporté et installé par au moins deux personnes et en faisant usage des poignées prévues à cet effet.

Précautions d'installation

Observez les précautions suivantes si vous effectuez une installation mettant en œuvre des accessoires tels que l'applique optionnelle.

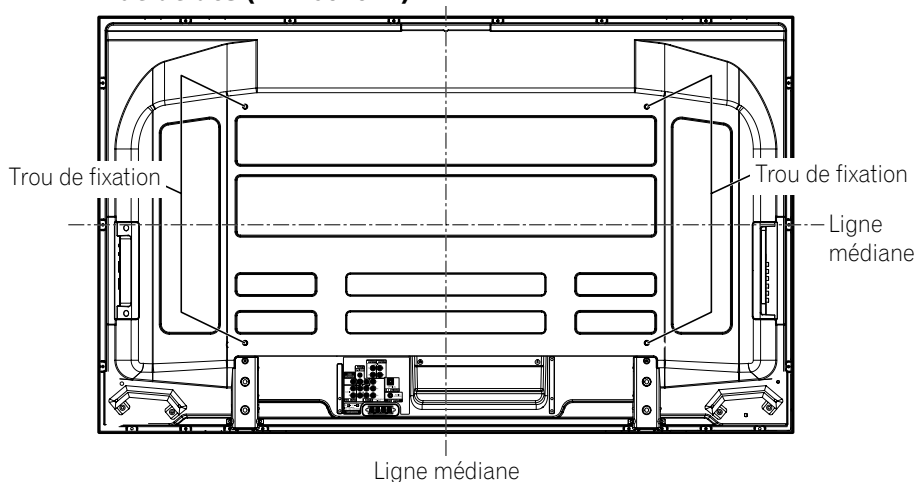
Si vous utilisez les appliques ou les accessoires optionnels

- Demandez au revendeur d'effectuer l'installation.
- Servez-vous des boulons fournis.
- Pour de plus amples détails concernant cette question, reportez-vous au mode d'emploi qui accompagne l'applique optionnelle (ou les accessoires équivalents).

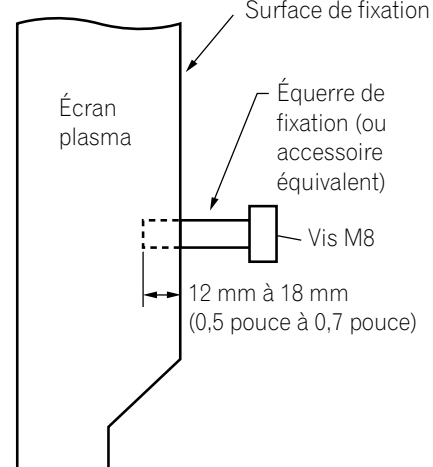
Si vous utilisez d'autres accessoires

- Consultez le revendeur.
- Les trous de fixation suivants peuvent être utilisés pour l'installation:

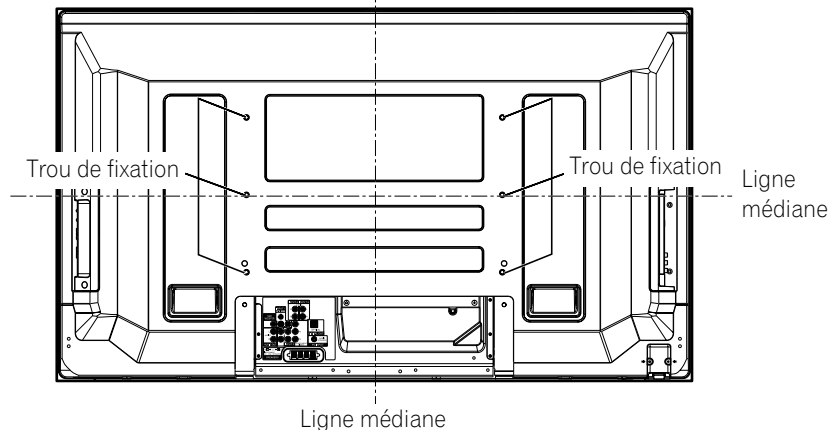
Vue de dos (PDP-6010FD)



Vue de côté



Vue de dos (PDP-5010FD)



Attention

- Veillez à utiliser au moins quatre trous de fixation symétriquement par rapport aux lignes médianes verticale et horizontale.
- Utilisez des vis M8 qui pénètrent de 12 mm à 18 mm (0,5 pouce à 0,7 pouce) dans la surface de fixation de l'écran plasma. Consultez la vue de côté ci-dessus.
- Veillez à ne pas obstruer les événements d'aération qui se trouvent à l'arrière de l'écran plasma.
- L'écran plasma doit être installé sur une surface plane car il comporte du verre.
- Les trous autres que ceux mentionnés ci-dessus sont uniquement destinés à des produits spécifiques. Ne les utilisez pas pour effectuer le montage d'appareils non spécifiés.

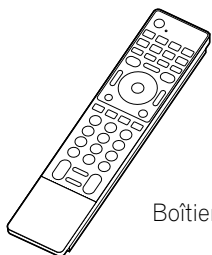


Remarque

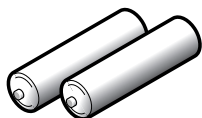
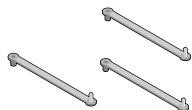
- Nous ne saurions trop vous conseiller d'utiliser les accessoires de fixation Pioneer.
- Pioneer ne saurait être tenue responsable des blessures ou dommages matériels qui résulteraient de l'utilisation d'accessoires de fixation autres que ceux conçus et fabriqués par Pioneer.

7 Chapitre 3

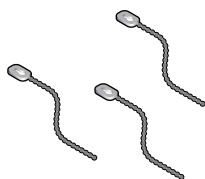
Accessoires fournis



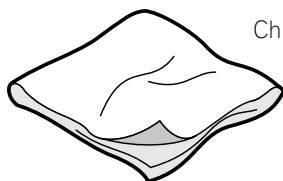
Boîtier de télécommande

Piles de taille AA × 2
(Pile alcaline pour le boîtier de télécommande)

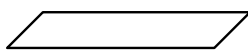
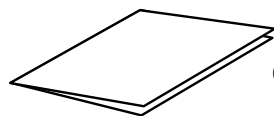
Colliers rapides × 3



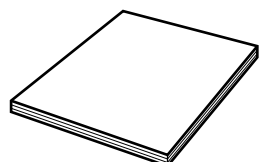
Colliers à œil × 3



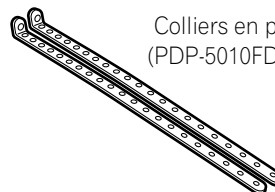
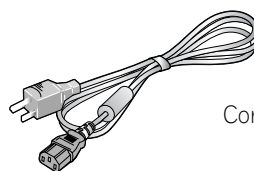
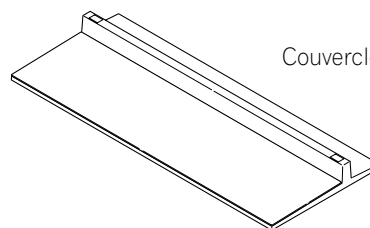
Chiffon de nettoyage

Étiquette de position des prises
(à utiliser lors du montage de l'écran plasma sur le mur)
(PDP-6010FD seulement)

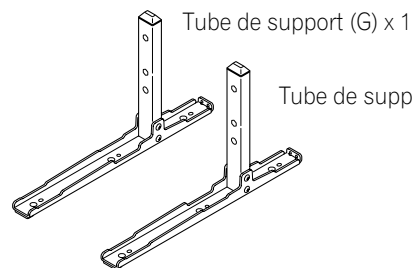
Carte de garantie



Mode d'emploi

Vis (M4 x 10 mm) x 2
(pour colliers en plastique)
(PDP-5010FD seulement)Colliers en plastique x 2
(PDP-5010FD seulement)Cordon d'alimentation
(2 m/6,6 pieds)**Accessoires de support
(PDP-6010FD seulement)**

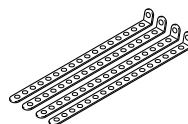
Couvercle de base x 1



Tube de support (G) x 1

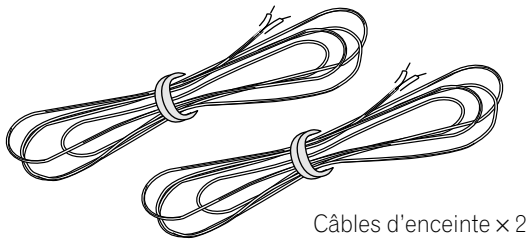
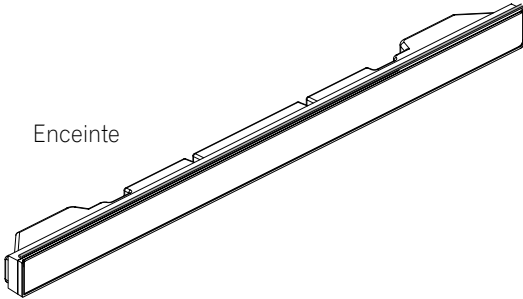
Tube de support (D) x 1

Colliers en plastique x 4

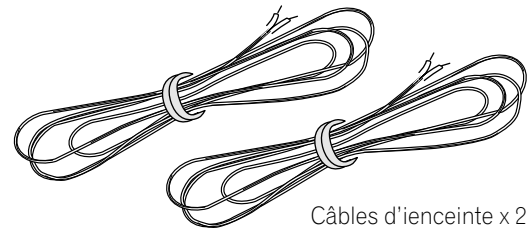
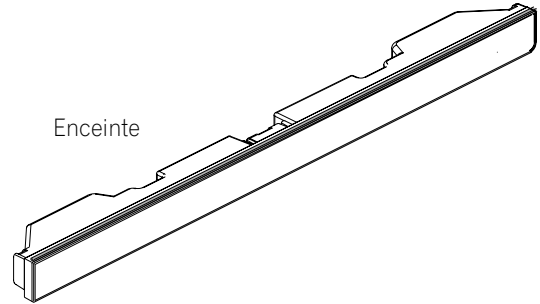
Vis ①
(M5 x 10 mm: noir) x 6Vis ②
(M6 x 20 mm: noir) x 4Vis ③
(pour colliers en plastique)
(M4 x 10 mm: noir) x 4

Accessoires pour enceintes

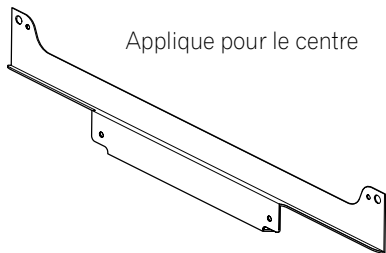
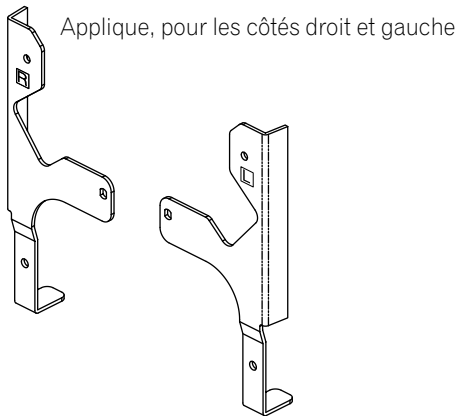
(PDP-6010FD)



(PDP-5010FD)



Pièces de fixation pour le montage des enceintes

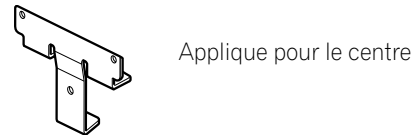
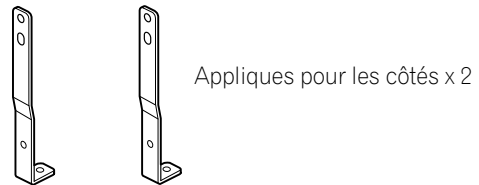


Vis de montage des enceintes
(M5 x 10 mm: noir) x 10

Clé hexagonale
(Coudée 4 mm pour utilisation M5) x 1



Pièces de fixation pour le montage des enceintes



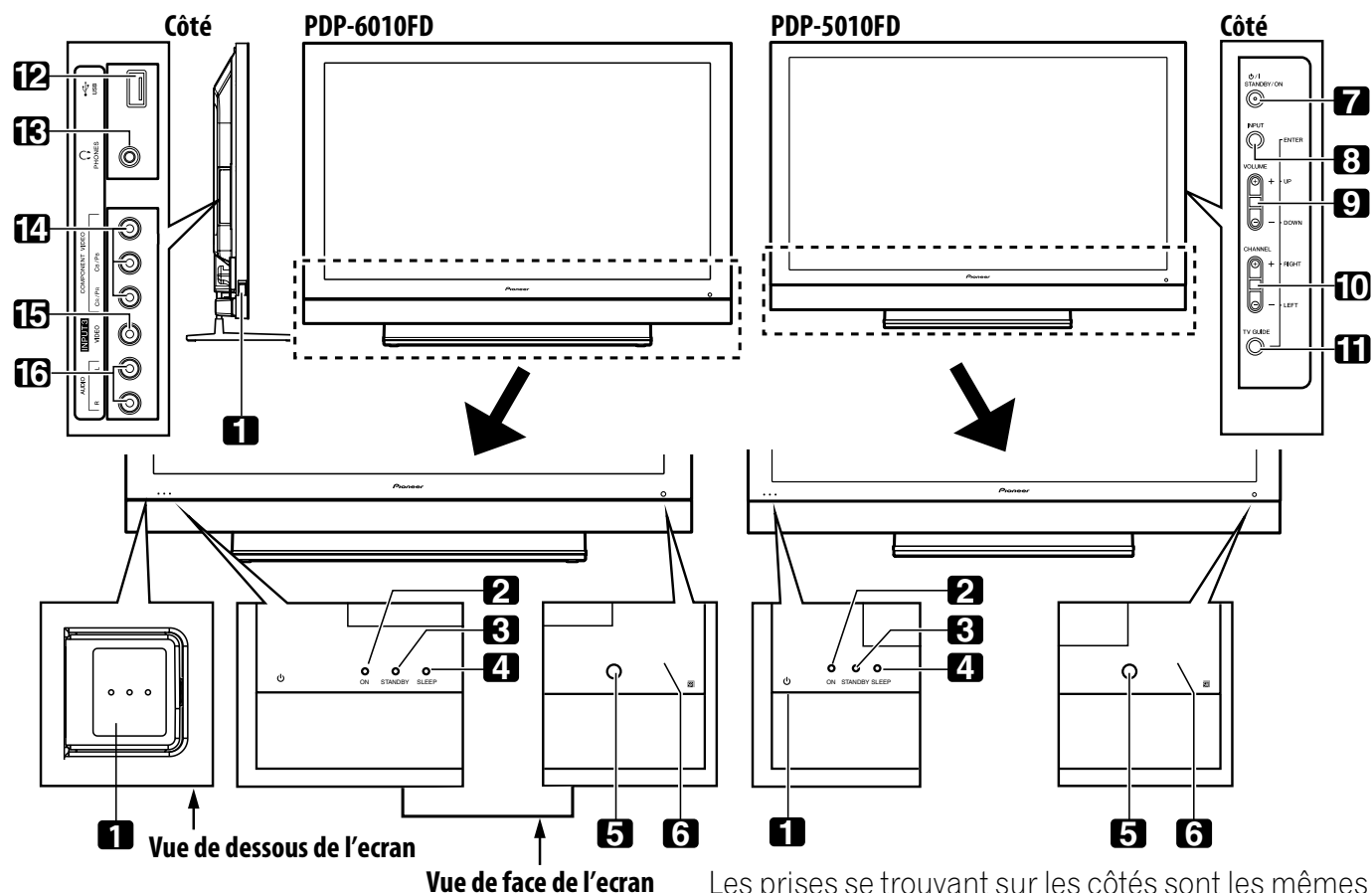
Vis de montage des enceintes
(M5 x 10 mm: noir) x 9

Chapitre 4

Nomenclature

Écran plasma

(Avant)



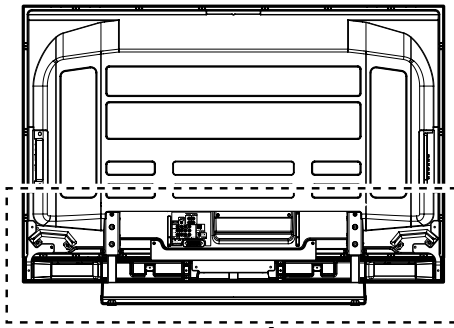
Les prises se trouvant sur les côtés sont les mêmes sur les PDP-6010FD et PDP-5010FD.

- 1 Touche (Cette touche se trouve au bas du côté gauche de l'écran plasma pour le PDP-6010FD et au bas du dos pour le PDP-5010FD. (voir **1** page 15.) Si cette touche est sur la position de repos, la mise en service ne se fera pas, même quand on appuie sur **TV** du boîtier de télécommande ou sur **STANDBY/ON** de l'écran plasma. Pour mettre en service, appuyez sur (pour PDP-5010FD) ou faites glisser vers le haut (pour PDP-6010FD)).
- 2 Témoin POWER ON (Reportez-vous à la page 33.)
- 3 Témoin STANDBY (Reportez-vous à la page 33.)
- 4 Témoin SLEEP
- 5 Capteur de luminosité ambiante
- 6 Capteur de télécommande
- 7 Touche **STANDBY/ON**
- 8 Touche **INPUT** (Touche **ENTER***)
- 9 Touches **VOLUME UP/DOWN** (Touches **UP/DOWN***)
- 10 Touches **CHANNEL UP/DOWN** (Touches **LEFT/RIGHT***)
- 11 Touche **TV GUIDE***
- 12 Port USB
- 13 Prise de sortie PHONES
- 14 Prises INPUT 3 (COMPONENT VIDEO: Y, PB, PR)
- 15 Prise INPUT 3 (VIDÉO)
- 16 Prises INPUT 3 (AUDIO)

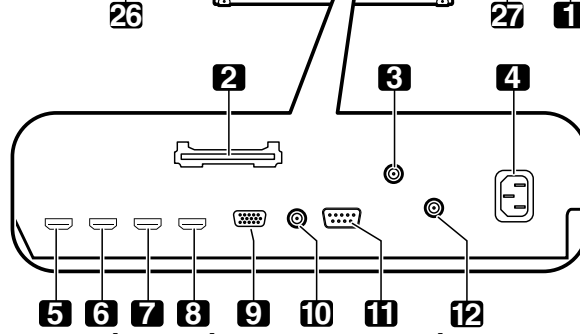
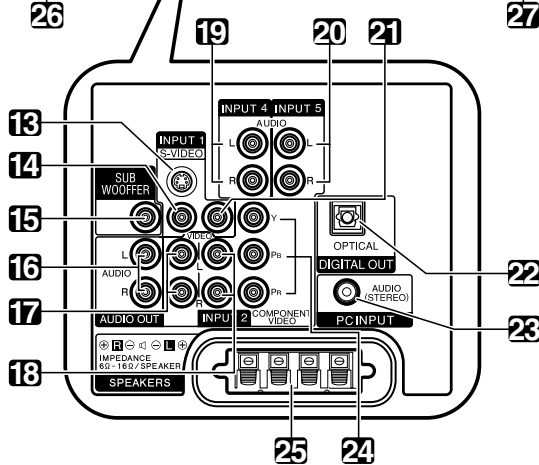
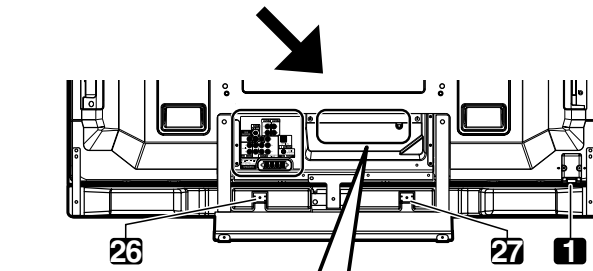
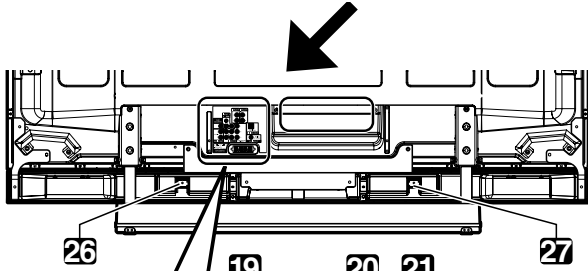
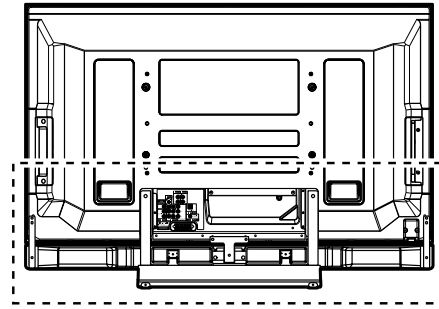
Les touches repérées par des astérisques (*) peuvent commander le système TV Guide On Screen™.

(Dos)

PDP-6010FD



PDP-5010FD



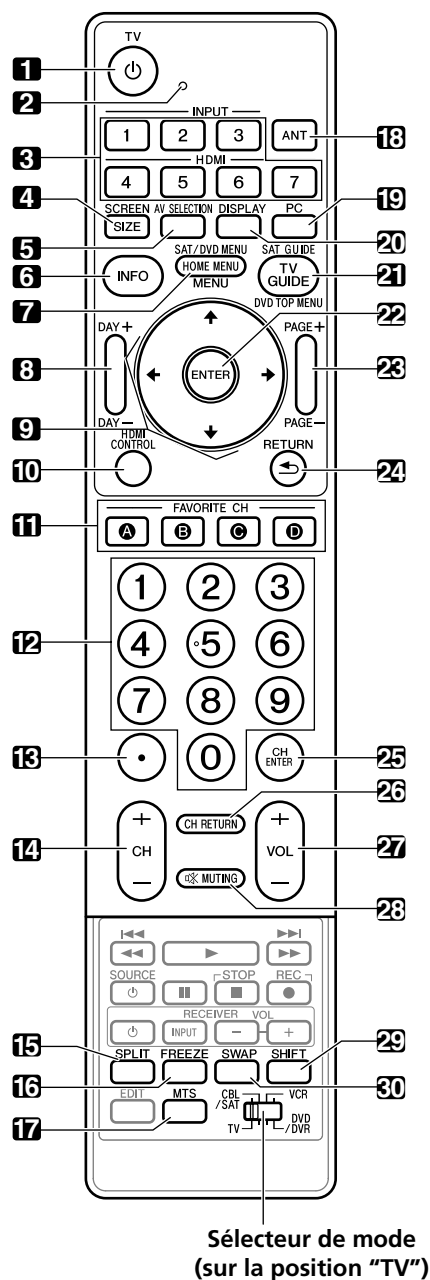
*Pour les emplacements exacts des prises, voir la feuille se trouvant près du compartiment à prises.

Les prises se trouvant au dos sont les mêmes sur les PDP-6010FD et PDP-5010FD.

- 1 Touche
- 2 Fente CableCARD™
- 3 Prise ANT/CABLE A IN
- 4 Prise AC IN
- 5 Prise INPUT 4 (HDMI)
- 6 Prise INPUT 5 (HDMI)
- 7 Prise INPUT 6 (HDMI)
- 8 Prise INPUT 7 (HDMI)
- 9 Prise PC INPUT (ANALOG RGB)
- 10 Prise CONTROL OUT
- 11 Prise RS-232C (utilisée pour la mise au point à la fabrique)
- 12 Prise ANT B IN
- 13 Prise INPUT 1 (S-VIDEO)
- 14 Prise INPUT 1 (VIDEO)
- 15 Prise SUB WOOFER
- 16 Prises AUDIO OUT (AUDIO)
- 17 Prises INPUT 1 (AUDIO)
- 18 Prises INPUT 2 (AUDIO)
- 19 Prises INPUT 4 (AUDIO)
- 20 Prises INPUT 5 (AUDIO)
- 21 Prise INPUT 2 (VIDEO)
- 22 Prise DIGITAL OUT (OPTICAL)
- 23 Prise PC INPUT (AUDIO)
- 24 Prises INPUT 2 (COMPONENT VIDEO: Y, PB, PR)
- 25 Prises SPEAKERS (R/L)
- 26 Prise SPEAKERS (R) (Côté enceinte)
- 27 Prise SPEAKERS (L) (Côté enceinte)

Boîtier de télécommande

Cette partie décrit les fonctions des touches disponibles lorsque le sélecteur de mode est sur la position TV. Pour les touches de commande des autres appareils, reportez-vous à *Utilisation du boîtier de télécommande pour agir sur d'autres appareils* à partir de la page 89.



- 1 **TV** : L'écran plasma est mis en service ou en veille à l'aide de cette touche.
- 2 Diode de confirmation de transmission
- 3 **INPUT**: Ces touches assurent la sélection de la source pour l'écran plasma. ("ENTRÉE 1", "ENTRÉE 2", "ENTRÉE 3", "ENTRÉE 4", "ENTRÉE 5", "ENTRÉE 6" et "ENTRÉE 7")
- 4 **SCREEN SIZE**: Sélectionne le format d'image.

- 5 **AV SELECTION**: Cette touche sélectionne les réglages audio et vidéo. (Source AV: OPTIMUM, STANDARD, DYNAMIQUE, CINÉMA, JEU, UTILISATEUR. Source PC: STANDARD, UTILISATEUR.)
- 6 **INFO**: Cette touche permet d'afficher une bannière de chaîne pendant que l'on regarde une émission de télévision. Quand le système TV Guide On Screen™ est en service, cette touche permet d'afficher les informations (s'il en existe) relatives à la chaîne mise en surbrillance.
- 7 **HOME MENU**: Cette touche affiche la page HOME MENU.
- 8 **DAY +/-**: Ces touches permettent de passer au jour suivant ou précédent des listes d'émission dans le service Listing du système TV Guide On Screen™.
- 9 **↑/↓/←/→**: Cette commande sélectionne un poste d'un menu.
- 10 **HDMI CONTROL**: Affiche le menu de commande HDMI.
- 11 **FAVORITE CH (A, B, C, D)**:
Ces touches sélectionnent une chaîne préréglée parmi quatre. Pour de plus amples détails concernant les chaînes favorites, reportez-vous à la page 49.
Tandis que vous regardez la télévision, vous pouvez passer d'une chaîne à l'autre au moyen des touches **A, B, C** et **D**.
- 12 **0 à 9**: Ces touches sélectionnent une chaîne.
- 13 **•(point)**: Cette touche provoque la saisie d'un point.
- 14 **CH +/-**: Ces touches sélectionnent une chaîne.
- 15 **SPLIT**: Cette touche permet d'afficher 2 images, une image dans une image ou une seule image.
- 16 **FREEZE**: Cette touche gèle une image animée. Appuyez une nouvelle fois sur cette touche pour annuler.
- 17 **MTS**: Cette touche permet de choisir entre MTS ou SAP ou la langue en fonction du programme regardé.
- 18 **ANT**: Cette touche sélectionne l'antenne (A, B). Reportez-vous à la page 30 pour les détails.
- 19 **PC**: Cette touche sélectionne la prise PC comme source d'entrée.
- 20 **DISPLAY**: Cette touche affiche les informations sur la chaîne.
- 21 **TV GUIDE**: Cette touche permet d'afficher le système TV Guide On Screen™.
- 22 **ENTER**: Cette touche exécute une commande.
- 23 **PAGE +/-** (pour le système TV Guide On Screen™): Ces touches permettent de faire défiler l'écran de liste d'émissions verticalement.
- 24 **RETURN**: Cette touche rétablit la page de menu précédente.
- 25 **CH ENTER**: Cette touche valide un numéro de chaîne.
- 26 **CH RETURN**: Cette touche donne un retour à la chaîne précédente. Quand le système TV Guide On Screen™ est affiché, cette touche est désactivée.
- 27 **VOL +/-**: Ces touches règlent le volume.
- 28 **MUTING**: Cette touche coupe le son.
- 29 **SHIFT**: Cette touche déplace la petite image dans le cas d'une image dans une image.
- 30 **SWAP**: Cette touche permet de passer d'une image à l'autre lorsque 2 images ou une image dans une image sont affichées.

Touches lumineuses du boîtier de télécommande

Toutes les touches du boîtier de télécommande sont lumineuses et accumulent et stockent la lumière. Cela permet d'accéder rapidement aux fonctions souhaitées quand vous utilisez l'appareil dans un endroit sombre.

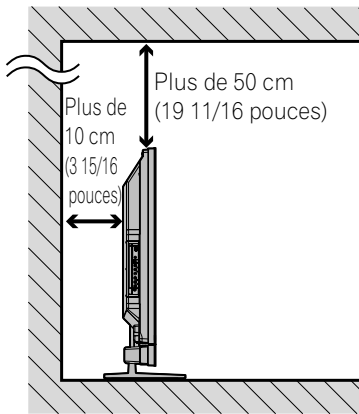
Remarque

- Pour utiliser le boîtier de télécommande, dirigez-le vers l'écran plasma.
- Pour de plus amples détails concernant les touches qui ne figurent pas sur cette page, reportez-vous aux pages 83 à 92.

Chapitre 5

Préparation

Installation de l'écran plasma



Emplacement

- Évitez que l'écran ne soit exposé à la lumière directe du soleil. Veillez à ce qu'il soit convenablement ventilé.

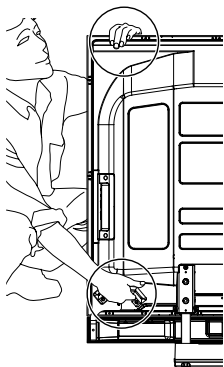
Remarque

- Ménagez un espace suffisant au-dessus et à l'arrière pour garantir une ventilation adéquate de l'arrière de l'appareil.

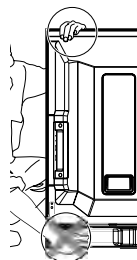
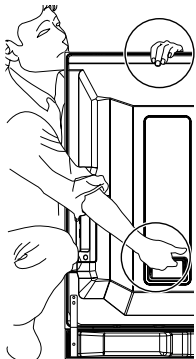
Déplacement de l'écran plasma

Le poids de l'écran plasma étant élevé, faites-vous aider si vous devez le déplacer.

(PDP-6010FD)



(PDP-5010FD)



Attention

Lors de l'installation sur une étagère, etc., fixez l'écran plasma.

Pose du support Pioneer

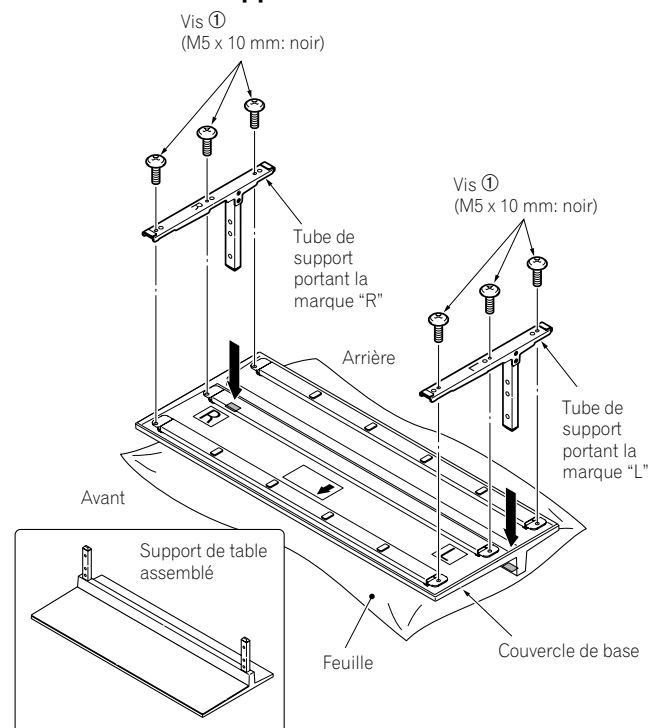
L'écran plasma est livré avec le support de table Pioneer. Vous pouvez aussi installer l'écran sur une étagère en détachant le support. La méthode de pose/dépose du support varie en fonction de l'appareil.

Attention

- Cet appareil peut uniquement être utilisé avec le support fourni. L'utilisation de tout autre support peut donner lieu à une instabilité pouvant être la cause d'un accident et de blessures.
- Le poids d'un écran plasma de 60 pouces est d'environ 55,5 kg (122,4 livres) et celui d'un écran de 50 pouces est d'environ 38,5 kg (84,9 livres), il a une faible profondeur et il est instable. Par conséquent, il doit être assemblé et installé par au moins deux personnes.

Assemblage du support (PDP-6010FD seulement)

- 1 Mettez le couvercle de base sens dessus dessous.
- 2 Insérez les tubes de support dans le couvercle de base.
- 3 Serrez les vis ① (M5 x 10 mm: noir) pour stabiliser les tubes de support.



Remarque

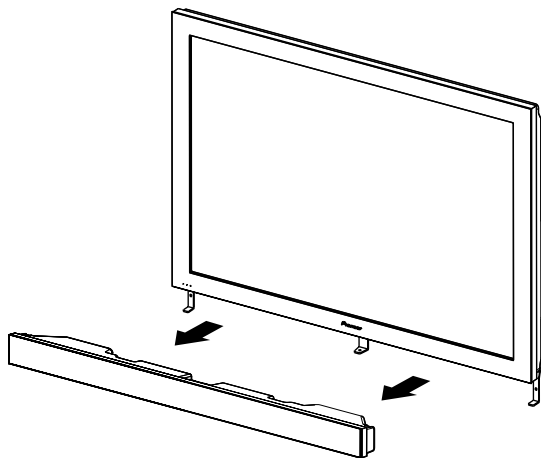
- Assemblez le support avec une feuille de protection mise sous le couvercle de base. Si aucune feuille de protection n'est mise avant l'assemblage, la face avant du couvercle de base risque d'être rayée.
- Lors de l'installation des tubes de support (G) et (D), faites attention à ce qu'ils soient correctement positionnés. Une mauvaise installation de ces tubes peut endommager le support.

Pose du support

- Si l'écran plasma est monté sans les enceintes fournies, commencez à partir de l'étape 2.
- Mis à part les enceintes, les étapes de pose du support sont les mêmes pour le PDP-6010FD et le PDP-5010FD (utilisez les trous de vis portant la marque "T").

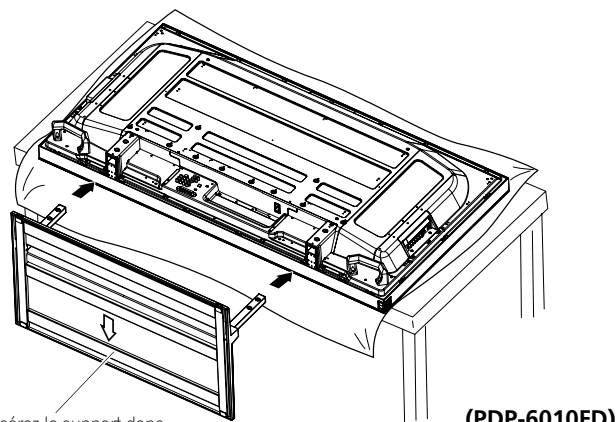
1 Détachez les enceintes fournies si l'écran plasma est fixé à un mur avec les enceintes attachées.

- Pour détacher les enceintes, retirez les câbles des enceintes à l'arrière et les vis au bas des enceintes puis retirez les enceintes (voir les illustrations page 22 pour le PDP-6010FD et page 26 pour le PDP-5010FD).



2 L'écran plasma étant posé à plat, positionnez les colonnes de soutien du support contre le bas de l'écran plasma comme indiqué par les flèches, puis insérez-les lentement.

- Faites très attention de ne pas insérer les colonnes de soutien du support dans n'importe quelle autre partie de l'écran plasma que les fentes d'insertion du support. Sinon, cela pourrait endommager le panneau de l'écran plasma ou ses prises ou entraîner une déformation du support.



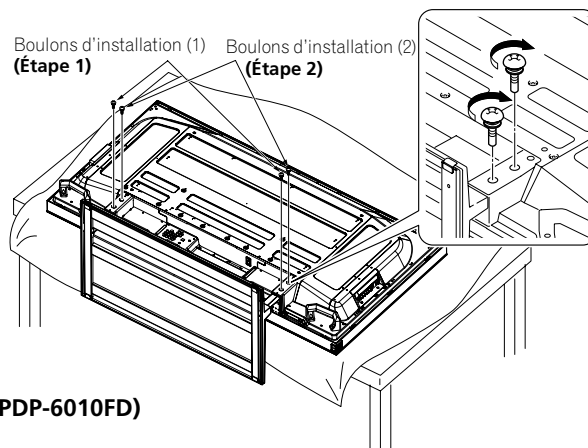
Insérez le support dans l'écran plasma de manière que la flèche portant la marque "FRONT/FACE AVANT" située à sa partie inférieure soit orientée vers le bas.

(PDP-6010FD)

3 Fixez le support aux endroits indiqués par les flèches et serrez fermement les boulons d'installation (2) et (1) avec un tournevis.

Boulons d'installation (1): M8 x 23 mm (noir) pour PDP-5010FD
M6 x 20 mm (noir) pour PDP-6010FD

Boulons d'installation (2): M8 x 40 mm (noir) pour PDP-5010FD
M6 x 20 mm (noir) pour PDP-6010FD



(PDP-6010FD)

4 Remplacez l'écran plasma droit sur le support. Pour l'installation des enceintes, reportez-vous à "Installation des enceintes Pioneer".

Remarque

- Assurez-vous de faire l'installation de l'écran plasma sur une surface plate et stable.
- Insérez les vis verticalement dans les trous et serrez-les.
- Placez une feuille ou une couverture de protection pour protéger l'écran des rayures ou de tout dommage.
- Travaillez uniquement avec l'écran plasma posé à plat sur une table ou une surface similaire.
- Quand vous couchez l'écran plasma, faites attention de ne pas le rayer ni de l'endommager.

Installation des enceintes Pioneer

Attention

- Si vous souhaitez déplacer l'écran plasma, assurez-vous de retirer d'abord les enceintes. De plus, ne déplacez pas l'écran en le tenant par les pièces de fixation de montage. Cela pourrait entraîner des blessures ou des dommages à l'appareil.

À propos des enceintes

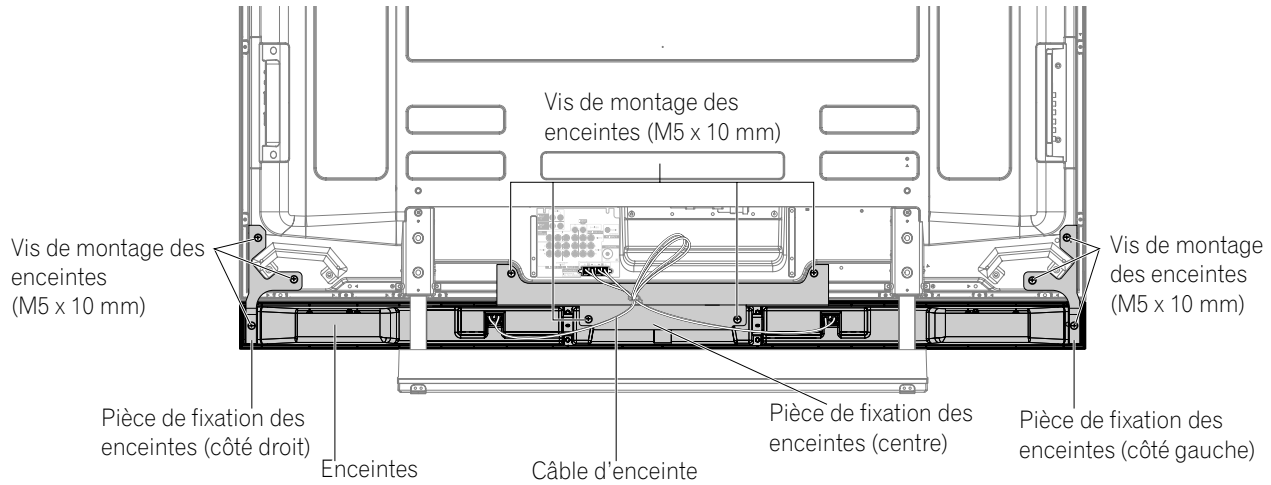
- Afin d'éviter d'endommager les enceintes à la suite d'une surcharge à l'entrée, veuillez respecter les précautions suivantes:
- N'utilisez pas les enceintes avec un autre appareil que l'écran plasma. Cela pourrait entraîner des dommages ou un incendie.
- Assurez-vous de mettre hors tension les appareils connectés et de retirez le cordon d'alimentation de la prise secteur murale quand vous changez la connexion ou la méthode d'installation.
- Quand vous utilisez une fonction de commande de la tonalité pour accentuer les sons aigus, n'augmentez pas trop le volume de l'amplificateur.
- Manipulez les enceintes avec précaution, car la grille et le boîtier peuvent être endommagés ou cassés s'ils sont soumis à de forts impacts externes.
- Placer un téléviseur ou un moniteur à tube cathodique à proximité des enceintes peut entraîner des interférences ou une déformation des couleurs. Si cela se produit, éloignez le moniteur des enceintes.

Installation

- L'ensemble d'enceintes est large et peut devenir instable s'il est installé par une seule personne. Cela peut entraîner des blessures ou des dommages à l'appareil. Par conséquent, il doit être assemblé et installé par au moins deux personnes.

- Lors de l'installation des enceintes, n'utilisez aucune autre vis que celles fournies avec l'appareil; sinon les enceintes pourraient se détacher de l'appareil et tomber.
- Lors de l'installation des enceintes, serrez les vis solidement.

PDP-6010FD avec les enceintes installées (avec le support de table Pioneer)

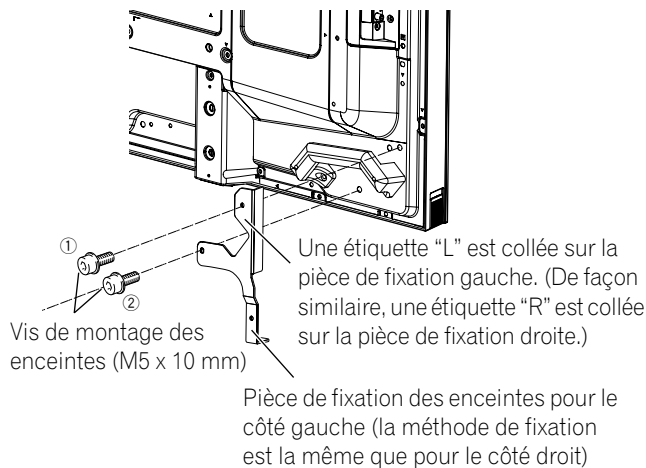


Remarque

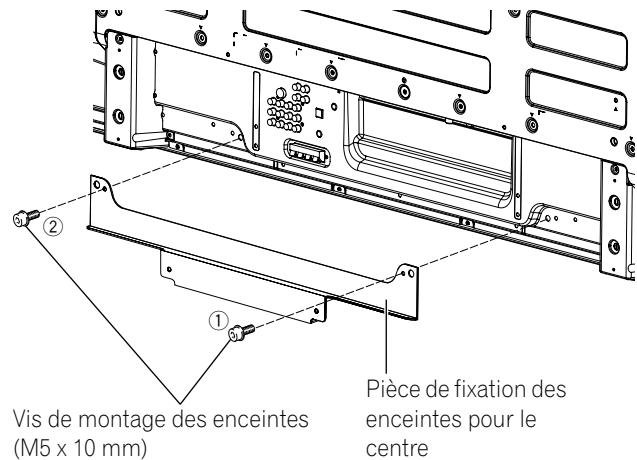
- Avant d'installer les enceintes, assurez-vous que le support de table Pioneer est attaché à l'écran plasma.

1 Attachez les pièces de fixation de montage des enceintes à l'arrière de l'écran plasma.

- Attachez les pièces de fixation des côtés droit et gauche en bas à droite et à gauche sur le panneau arrière de l'écran plasma en utilisant les vis fournies.
- Serrez à la main les deux vis dans l'ordre ①, puis ②.



- Attachez la pièce de fixation centrale en bas au centre du panneau arrière de l'écran plasma en utilisant les deux vis fournies.
- Serrez les deux vis dans l'ordre ① et ② comme montré sur l'illustration.
- Lors du montage des vis, mettez les vis ① et ② dans les trous de la pièce de fixation centrale.



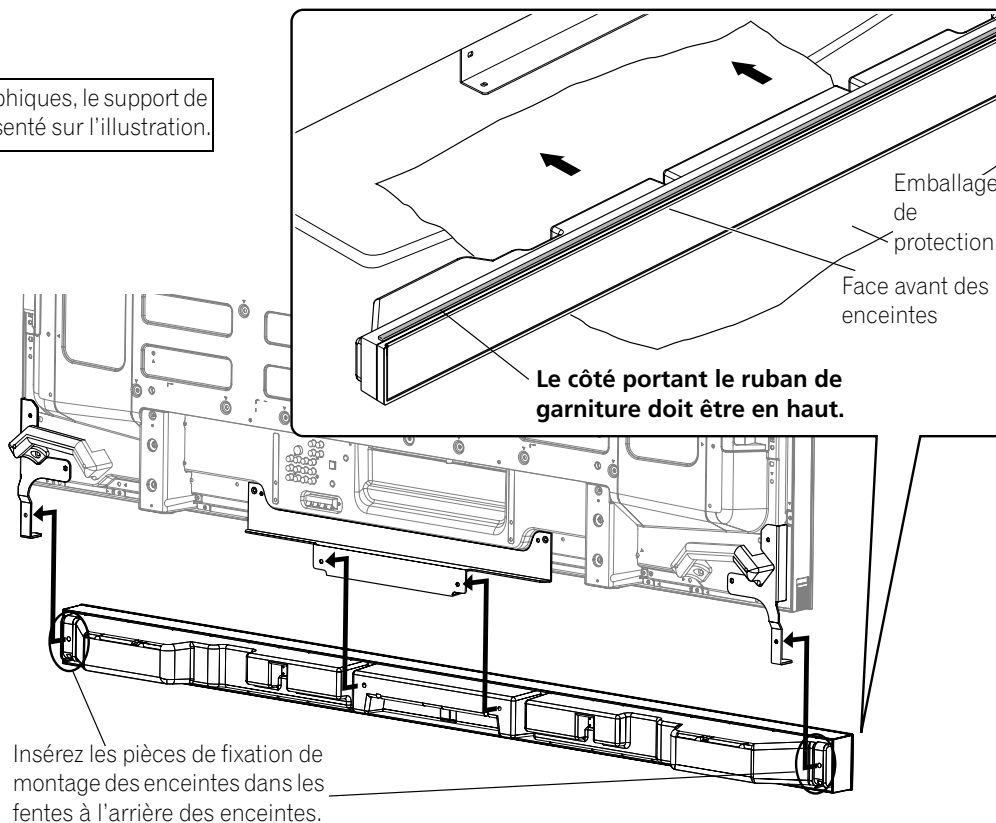
Remarque

- Pour la procédure de montage des enceintes lors de l'utilisation d'un support mural, voir page 22.

2 Fixez les enceintes sur les pièces de fixation de montage dans la direction correcte.

- Assurez-vous de ne pas monter les enceintes à l'envers.

Pour des raisons graphiques, le support de table n'est pas représenté sur l'illustration.



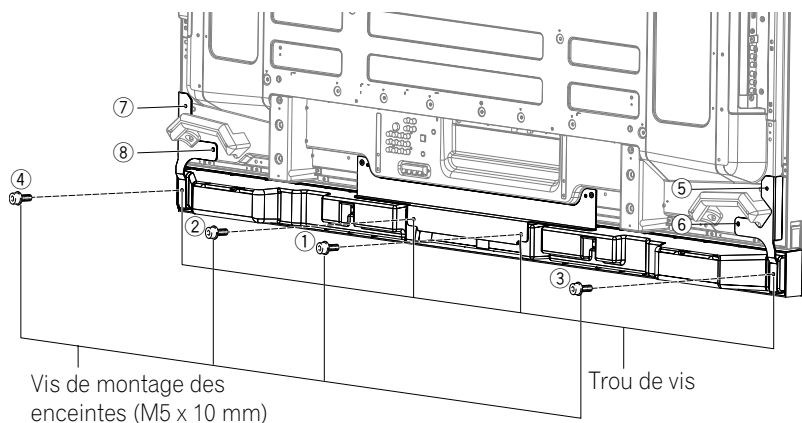
Insérez les pièces de fixation de montage des enceintes dans les fentes à l'arrière des enceintes.

Attention

- Pour empêcher que les enceintes et/ou le support de table soient endommagés en se frappant l'un contre l'autre, fixez les enceintes aux pièces de fixation en vérifiant leur emplacement. Comme il est facile de frapper le support, utilisez l'emballage de protection dans laquelle les enceintes étaient enveloppées et placez-le entre les enceintes et le support.
- Si les pièces de fixation de montage des enceintes ne s'emboîtent pas correctement dans les rainures à l'arrière des enceintes, ajustez l'angle de ces pièces.

3 Fixez les pièces de fixation de montage des enceintes avec les vis fournies.

- Fixez d'abord la partie centrale de l'enceinte avec les vis fournies, puis fixez les côtés droit et gauche de la même façon.
- Serrez les quatre vis dans l'ordre ①, ②, ③, ④ comme montré sur l'illustration.



Attention

- Si vous souhaitez déplacer l'écran plasma, assurez-vous de retirer d'abord les enceintes. De plus, ne déplacez pas l'écran en le tenant par les pièces de fixation de montage. Cela pourrait entraîner des blessures ou des dommages à l'appareil.

Le trou de vis situé au bas des pièces de fixation de montage des enceintes est utilisé pour fixer l'écran plasma à un mur. Il n'est pas utilisé lors de l'installation avec le support.

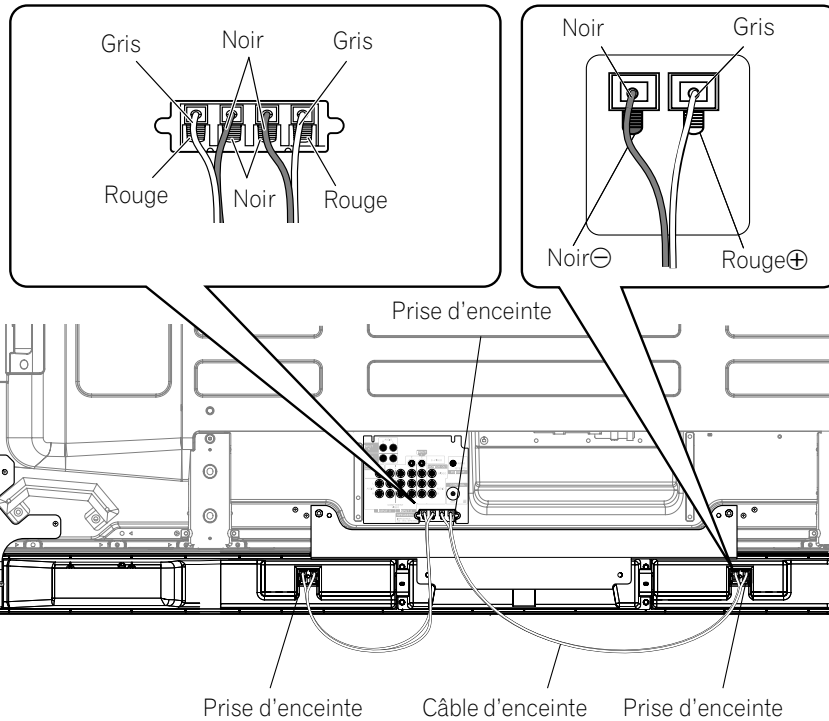
Remarque

- Si vous avez besoin d'ajuster la position des enceintes horizontalement ou verticalement après les avoir fixées, desserrez d'abord les vis de montage des enceintes, repositionnez les enceintes puis serrez les vis de nouveau dans la position appropriée.

4 Serrez fermement les quatre vis ⑤, ⑥, ⑦, ⑧ montrées sur l'illustration ci-dessus.

5 Connectez les câbles d'enceinte fournis au dos de l'écran plasma.

Connectez les câbles correctement en respectant les polarités de l'écran plasma et des prises d'enceintes, c'est-à-dire, câble ⊕ aux prises ⊕ et câble ⊖ aux prises ⊖. Pour ce faire, connectez le câble gris aux prises ⊕ et le câble blanc aux prises ⊖.

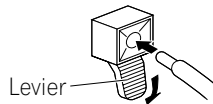


6 Connectez l'autre extrémité des câbles d'enceinte aux enceintes.

Connectez les câbles correctement en respectant les polarités de l'écran plasma et des prises d'enceintes, c'est-à-dire, câble ⊕ aux prises ⊕ et câble ⊖ aux prises ⊖. Pour ce faire, connectez le câble gris aux prises ⊕ et le câble blanc aux prises ⊖.

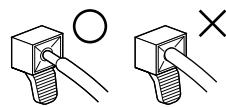
Remarque

- Appuyez sur le levier et insérez l'extrémité du câble.
- Quand vous relâchez le levier, il serre le câble d'enceinte.



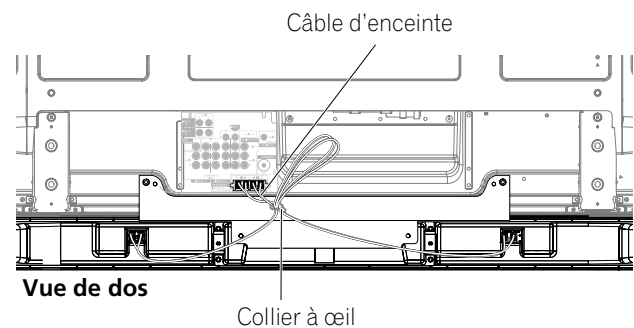
Attention

- Assurez-vous de mettre hors tension les appareils connectés et de retirer le cordon d'alimentation de la prise secteur murale quand vous changez la connexion ou la méthode d'installation.
- Si vous insérez le câble d'enceinte trop loin et que l'isolant touche la prise d'enceinte, vous risquez de n'obtenir aucun son. Insérez le câble de manière que le cuivre soit visible.
- Vérifiez si l'extrémité des câbles d'enceinte est solidement connectée aux prises en tirant légèrement sur le câble, une fois les connexions terminées. Une connexion lâche peut être la cause de coupures de son ou de bruits.
- S'il y a un court-circuit dans les câbles ⊕ et ⊖ causé par un fil à nu, une charge excessive peut être appliquée à l'écran plasma et il peut s'arrêter de fonctionner ou cela peut entraîner un mauvais fonctionnement.
- Une connexion des câbles d'enceinte aux prises droite et gauche de l'écran plasma qui ne respecte pas les polarités peut être la cause d'effets sonores stéréo insuffisants, de sons graves médiocres et d'une image sonore instable.
- Attacher le câble sans le tendre.



7 Attacher les câbles.

- Des colliers à œil sont fournis avec l'écran plasma.
- Utilisez les colliers à œil comme nécessaire.
- Quand vous attachez vos câbles d'enceinte, assurez-vous de le faire de façon qu'ils ne soient soumis à aucune pression.



Lors de l'utilisation du support mural (PDP-6010FD)

Remarque

- Posez d'abord l'écran plasma sur une couverture douce ou autre, enlevez le support, puis attachez les pièces de fixation de montage des enceintes.
- Installez l'écran plasma sur le mur avec uniquement les pièces de fixation de montage des enceintes et les câbles d'enceintes attachés à l'écran, puis attachez les enceintes. (Voir page 19)
- Pour faciliter l'installation du câblage, il est conseillé de terminer le câblage sur les côtés de l'écran plasma avant de fixer les enceintes à l'écran.

Attention

- Lors de l'installation ou de la connexion, faites attention aux pièces de fixation de montage des enceintes. Elles peuvent entraîner des blessures.

1 Connectez les câbles d'enceinte fournis au dos de l'écran plasma.

2 Placez l'écran plasma sur les pièces de fixation du support mural.

Pour les détails, reportez-vous au mode d'emploi fourni avec le support mural.

3 Connectez l'autre extrémité des câbles d'enceinte aux enceintes.

4 Placez les enceintes sur les pièces de fixation de montage des enceintes dans la direction correcte.

5 Serrez en utilisant les vis fournies (quatre emplacements).

- Serrez les quatre vis dans l'ordre ①, ②, ③, ④ comme montré sur l'illustration.

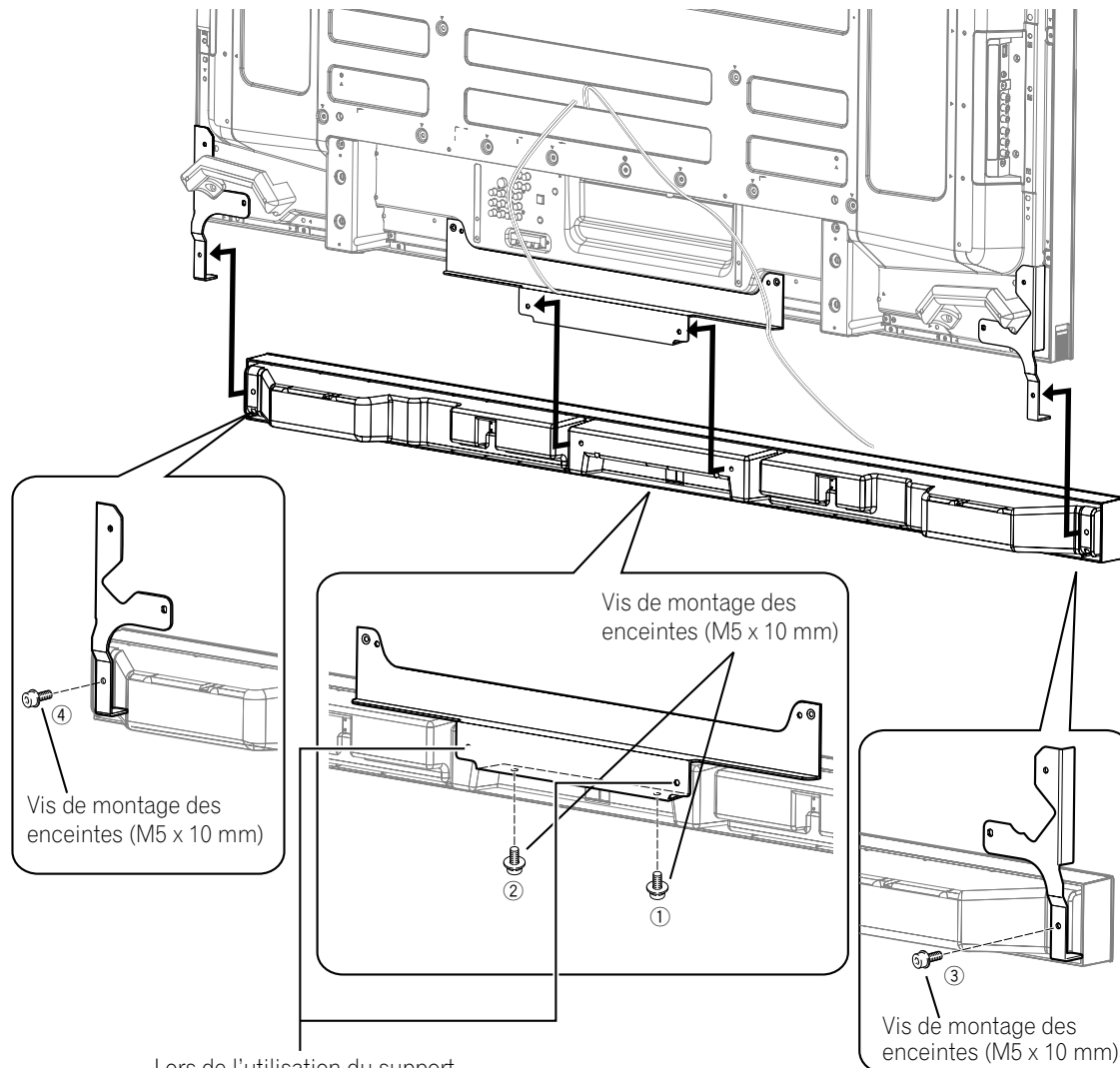
Le trou de vis à la surface arrière des pièces de fixation de montage des enceintes s'utilise quand l'écran plasma est installé avec le support de table. Il n'est pas utilisé lors de l'installation sur le mur.

Remarque

- Si vous avez besoin d'ajuster la position des enceintes horizontalement après les avoir fixées, desserrez d'abord les vis de montage des enceintes, repositionnez les enceintes puis serrez les vis de nouveau dans la position appropriée.

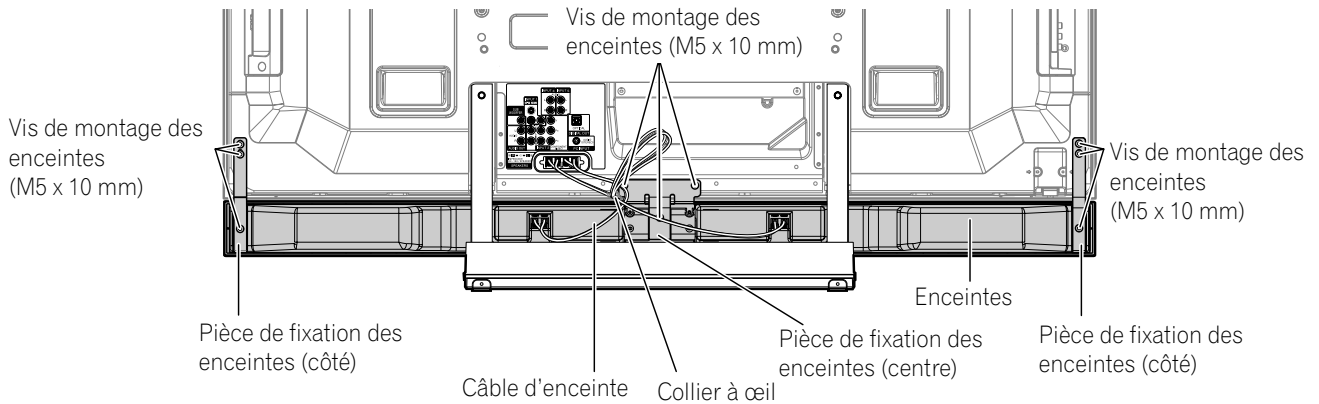
6 Attachez les câbles.

- Des colliers à œil sont fournis avec l'écran plasma.
- Utilisez les colliers à œil comme nécessaire.
- Quand vous attachez vos câbles d'enceinte, assurez-vous de le faire de façon qu'ils ne soient soumis à aucune pression.



Lors de l'utilisation du support mural, n'utilisez pas ces trous.

**PDP-5010FD avec les enceintes installées
(avec le support de table Pioneer)**



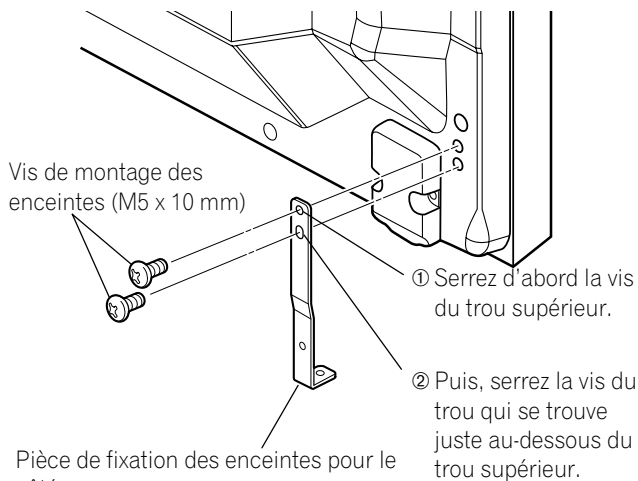
Remarque

- Avant d'installer les enceintes, assurez-vous que le support de table Pioneer est attaché à l'écran plasma.

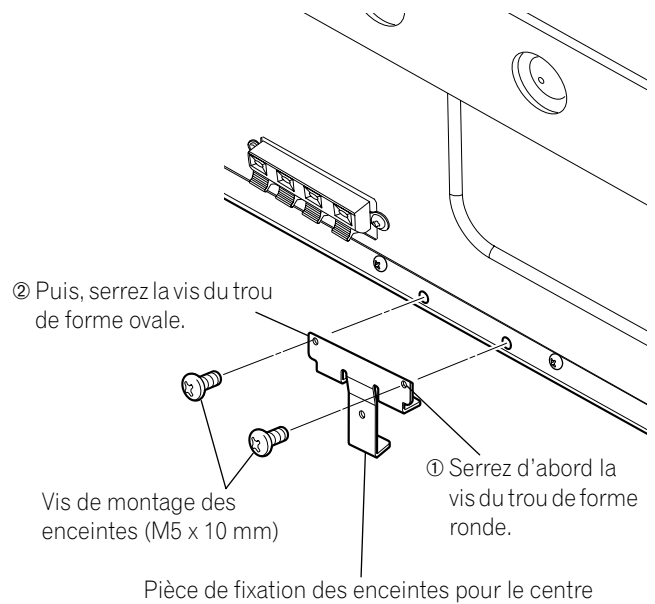
- Attachez la pièce de fixation pour le centre, en bas au centre du panneau arrière de l'écran plasma en utilisant les deux vis fournies.

1 Attachez les pièces de fixation de montage des enceintes à l'arrière de l'écran plasma.

- Attachez les pièces de fixation des côtés droit et gauche en bas à droite et à gauche sur le panneau arrière de l'écran plasma en utilisant les vis fournies.

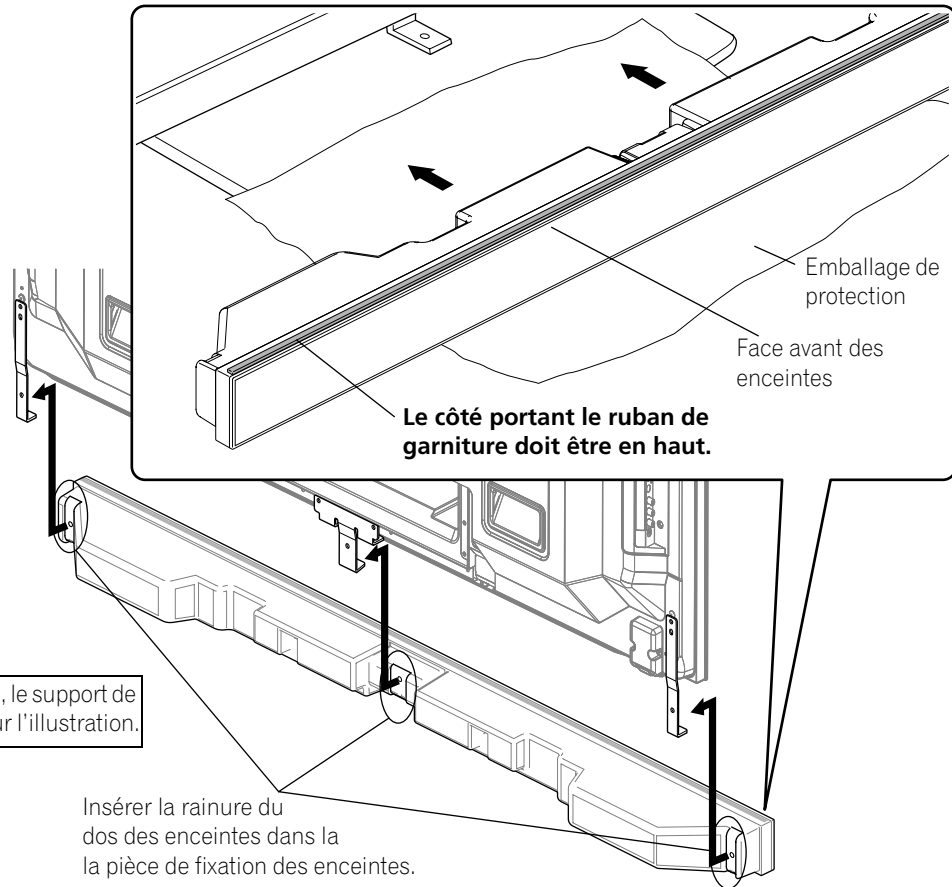


Pièce de fixation des enceintes pour le côté
(L'illustration représente la fixation de la pièce sur le côté gauche. La fixation sur le côté droit se fait de la même façon.)



2 Fixez les enceintes sur les pièces de fixation de montage dans la direction correcte.

- Assurez-vous de ne pas monter les enceintes à l'envers.

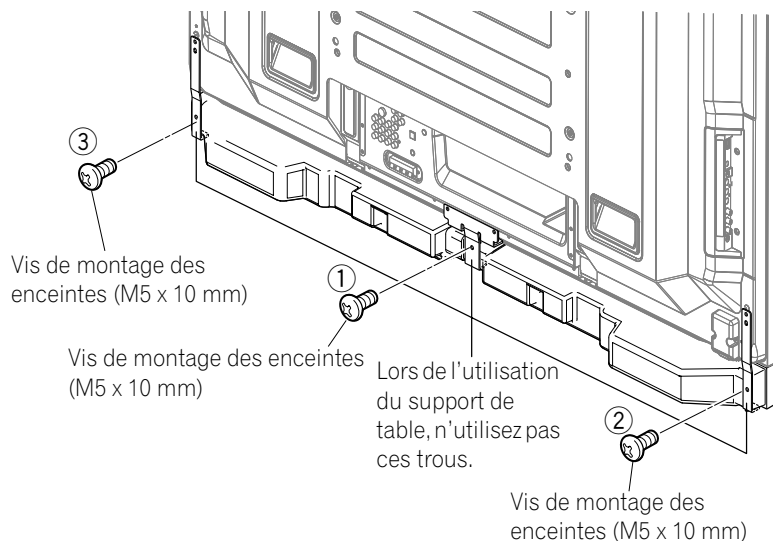


Attention

- Pour empêcher que les enceintes et/ou le support de table soient endommagés en se frappant l'un contre l'autre, fixez les enceintes aux pièces de fixation en vérifiant leur emplacement. Comme il est facile de frapper le support, utilisez l'emballage de protection dans laquelle les enceintes étaient enveloppées et placez-le entre les enceintes et le support.
- Si les pièces de fixation de montage des enceintes ne semboîtent pas correctement dans les rainures à l'arrière des enceintes, ajustez l'angle de ces pièces.

3 Serrez par derrière en utilisant les vis fournies (trois emplacements).

Serrez les trois vis dans l'ordre ①, ②, ③ comme montré sur l'illustration.



Attention

- Si vous souhaitez déplacer l'écran plasma, assurez-vous de retirer d'abord les enceintes. De plus, ne déplacez pas l'écran en le tenant par les pièces de fixation de montage. Cela pourrait entraîner des blessures ou des dommages à l'appareil.

Le trou de vis en bas des pièces de fixation de montage des enceintes s'utilise quand l'écran plasma est fixé à un mur. Il n'est pas utilisé lors de l'installation avec le support.

Remarque

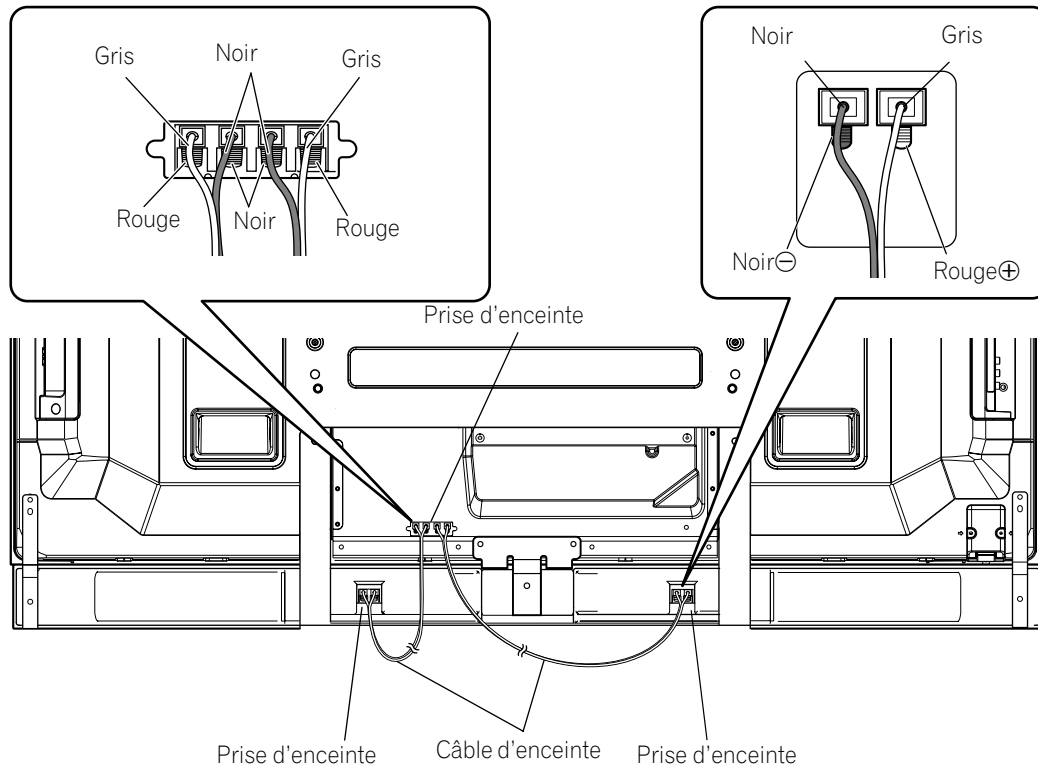
- Si vous avez besoin d'ajuster la position des enceintes horizontalement ou verticalement après les avoir fixées, desserrez d'abord les vis de montage des enceintes, repositionnez les enceintes puis serrez les vis de nouveau dans la position appropriée.

4 Connectez les câbles d'enceinte fournis à l'arrière de l'écran plasma.

Connectez les câbles correctement en respectant les polarités des prises d'enceinte de l'écran plasma, c'est-à-dire, câble ⊕ (Gris) aux prises ⊕ (Rouge) et câble ⊖ (Noir) aux prises ⊖ (Noir).

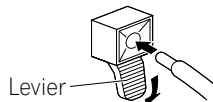
5 Connectez l'autre extrémité des câbles d'enceinte aux enceintes.

Connectez les câbles correctement en respectant les polarités des prises d'enceinte, c'est-à-dire, câble ⊕ (Gris) aux prises ⊕ (Rouge) et câble ⊖ (Noir) aux prises ⊖ (Noir).



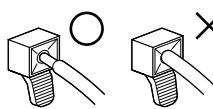
Remarque

- Appuyez sur le levier et insérez l'extrémité du câble.
- Quand vous relâchez le levier, il serre le câble d'enceinte.



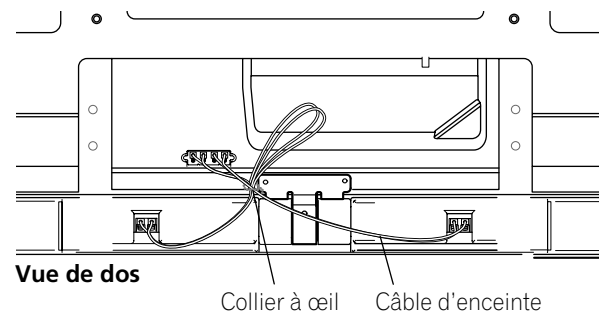
Attention

- Assurez-vous de mettre hors tension les appareils connectés et de retirer le cordon d'alimentation de la prise secteur murale quand vous changez la connexion ou la méthode d'installation.
- Si vous insérez le câble d'enceinte trop loin et que l'isolant touche la prise d'enceinte, vous risquez de n'obtenir aucun son. Insérez le câble de manière que le cuivre soit visible.
- Vérifiez si l'extrémité des câbles d'enceinte est solidement connectée aux prises en tirant légèrement sur le câble, une fois les connexions terminées. Une connexion lâche peut être la cause de coupures de son ou de bruits.
- S'il y a un court-circuit dans les câbles ⊕ et ⊖ causé par un fil à nu, une charge excessive peut être appliquée à l'écran plasma et il peut s'arrêter de fonctionner ou cela peut entraîner un mauvais fonctionnement.
- Une connexion des câbles d'enceinte aux prises droite et gauche de l'écran plasma qui ne respecte pas les polarités peut être la cause d'effets sonores stéréo insuffisants, de sons graves médiocres et d'une image sonore instable.
- Attacher le câble sans le tendre.



6 Attacher les câbles.

- Des colliers à œil sont fournis avec l'écran plasma.
- Utilisez les colliers à œil comme nécessaire.
- Quand vous attachez vos câbles d'enceinte, assurez-vous de le faire de façon qu'ils ne soient soumis à aucune pression.



Lors de l'utilisation du support mural (PDP-5010FD)**Remarque**

- Posez d'abord l'écran plasma sur une couverture douce ou autre, enlevez le support, puis attachez les pièces de fixation de montage des enceintes.

- 1 Attachez les pièces de fixation de montage des enceintes à l'arrière de l'écran plasma (Voir procédure 1 de page 23).**
- 2 Connectez les câbles d'enceinte fournis à l'arrière de l'écran plasma (Voir procédure 4 de page 25).**
- 3 Placez l'écran plasma sur les pièces de fixation de montage du support mural.**

Pour les détails, reportez-vous au mode d'emploi fourni avec le support mural.

Attention

- Faites attention aux pièces de fixation de montage des enceintes lors de l'installation ou de la connexion. Elles peuvent donner lieu à des blessures.
- 4 Connectez l'autre extrémité des câbles d'enceinte aux enceintes (Voir procédure 5 de page 25).**

Attention

- Cette procédure doit être effectuée par deux personnes.

- 5 Fixez les enceintes sur les pièces de fixation de montage dans la direction correcte.**

Attention

- Assurez-vous de ne pas monter les enceintes à l'envers.

- 6 Serrez par dessous en utilisant les vis fournies (trois emplacements).**

- Serrez les trois vis dans l'ordre ①, ②, ③ comme montré sur l'illustration.

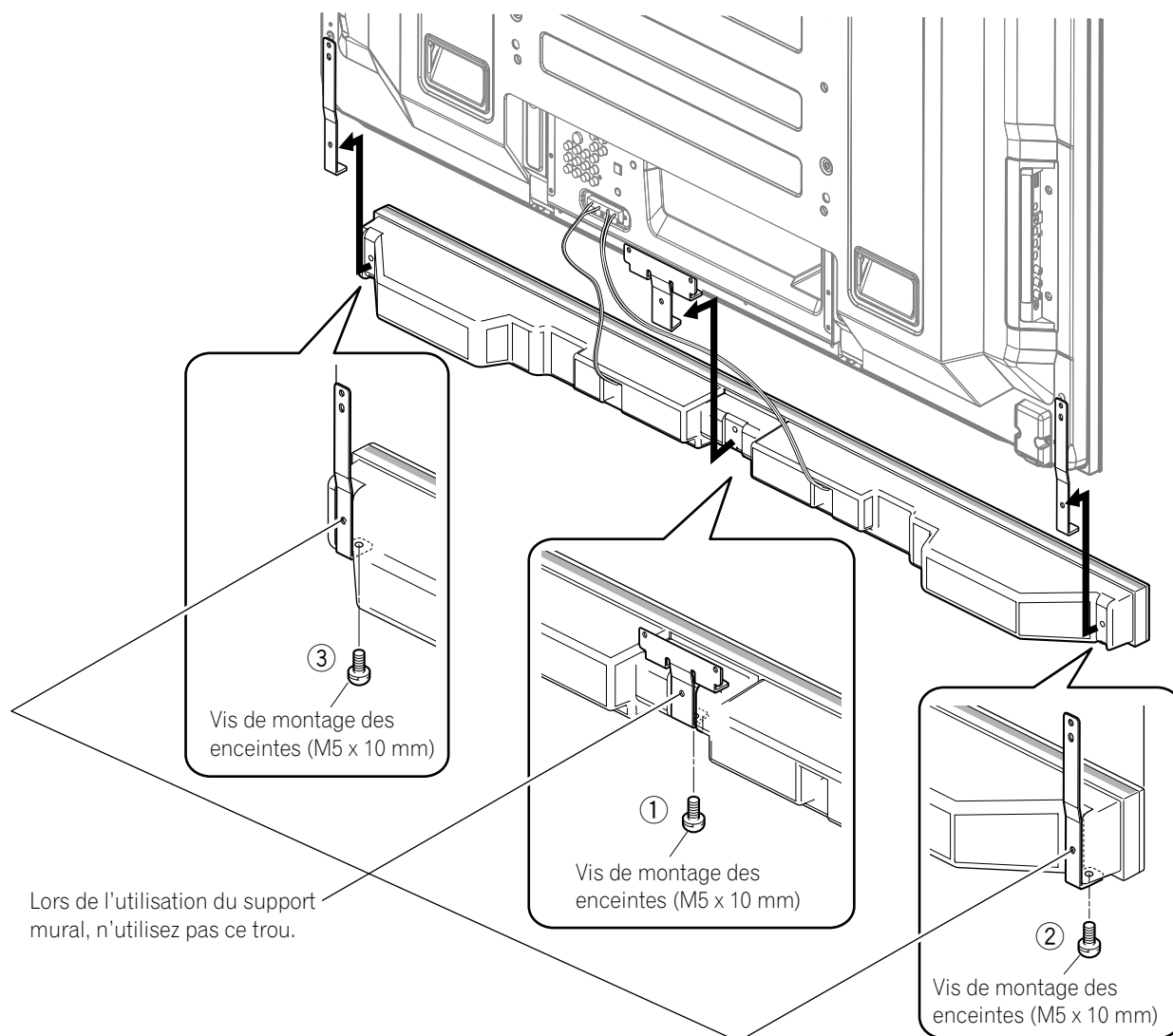
Le trou de vis à la surface arrière des pièces de fixation de montage des enceintes s'utilise quand l'écran plasma est installé avec le support de table. Il n'est pas utilisé lors de l'installation sur le mur.

Remarque

- Si vous avez besoin d'ajuster la position des enceintes horizontalement après les avoir fixées, desserrez d'abord les vis de montage des enceintes, repositionnez les enceintes puis serrez les vis de nouveau dans la position appropriée.

- 7 Attachez les câbles.**

- Des colliers à œil sont fournis avec l'écran plasma.
- Utilisez les colliers à œil comme nécessaire.
- Quand vous attachez vos câbles d'enceinte, assurez-vous de le faire de façon qu'ils ne soient soumis à aucune pression.



Lors de l'utilisation du support mural, n'utilisez pas ce trou.

Pour empêcher l'écran plasma de se renverser

Après avoir installé le support, veillez à prendre toutes les précautions nécessaires pour empêcher l'écran plasma de se renverser et bien le fixer au mur et à l'étagère.

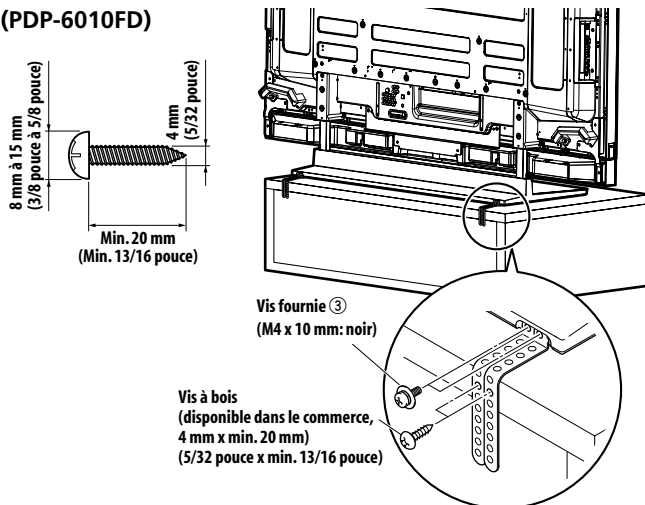
Fixation sur une table ou une étagère

Avec les colliers en plastique et les vis fournis, fixez l'écran plasma comme montré sur l'illustration.

Remarque

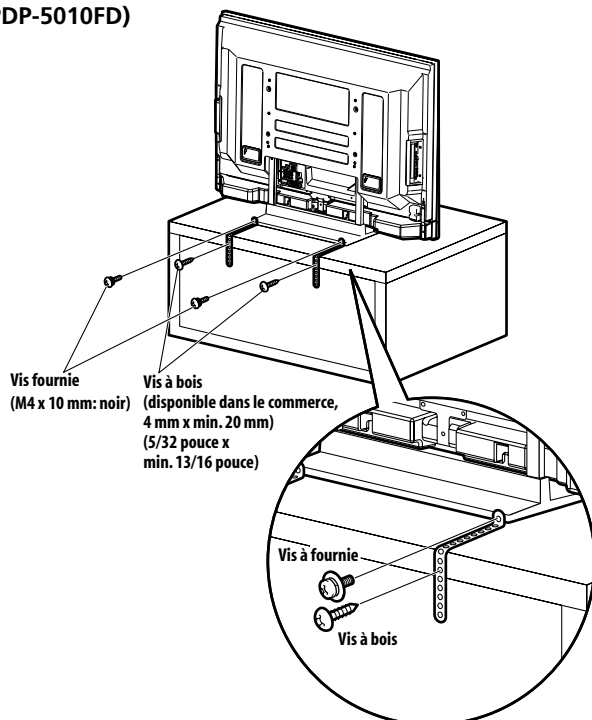
- Pour fixer l'écran plasma sur une table ou une étagère, utilisez aussi des vis à bois, disponibles dans le commerce, d'un diamètre nominal de 4 mm (5/32 pouce) et d'au moins 20 mm (13/16 pouce) de longueur.

(PDP-6010FD)



Avant d'utiliser une vis à bois, percez un trou au dos et au milieu du panneau supérieur de la table. Effectuez cette opération de la même façon sur les côtés gauche et droit.

(PDP-5010FD)



Avant d'utiliser une vis à bois, percez un trou au dos et au milieu du panneau supérieur de la table. Effectuez cette opération de la même façon sur les côtés gauche et droit.

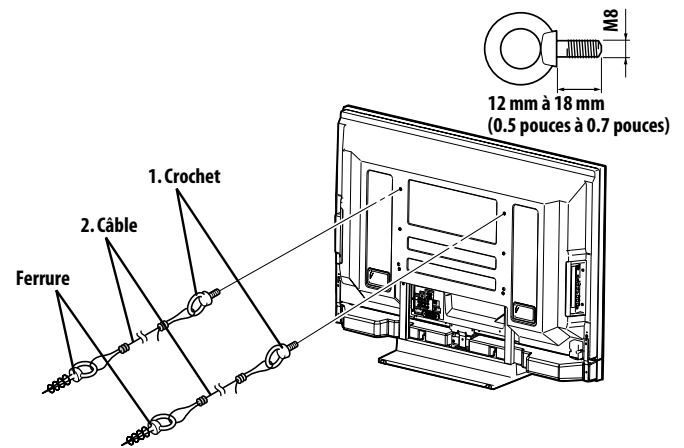
Fixation à un mur

- Fixez des boulons (crochets) de sécurité à l'écran plasma.
- Utilisez des câbles robustes pour le fixer correctement et solidement à un mur, un pilier ou tout autre élément solide.

Effectuez cette opération de la même façon sur les côtés gauche et droit.

Remarque

- Utilisez des crochets, câbles et ferrures disponibles dans le commerce. Crochets recommandés: Diamètre nominal de 8 mm (3/8 pouce), longueur de 12 mm à 18 mm (0.5 pouces à 0.7 pouces)



Attention

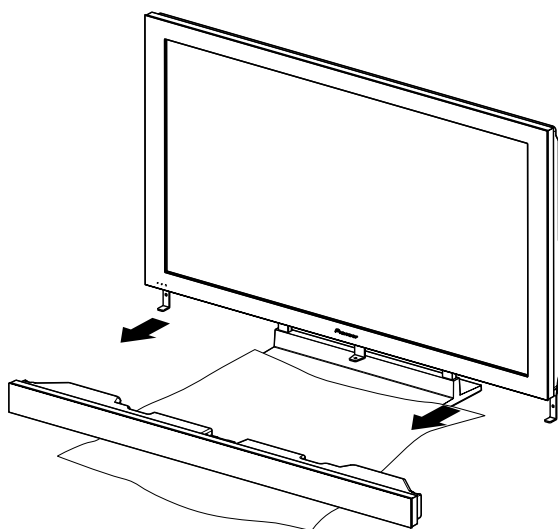
- Une table ou une étagère d'une résistance suffisante doit toujours être utilisée pour soutenir l'écran plasma. Le non respect de cette consigne peut donner lieu à un accident corporel et à un endommagement physique.
- Lors de l'installation de l'écran plasma, veuillez prendre les mesures de sécurité nécessaires pour l'empêcher de tomber ou de se renverser en cas d'urgence, tel que tremblement de terre ou accident.
- Si vous ne prenez pas ces précautions, l'écran plasma risque de tomber ou de se renverser et de causer des blessures.
- Les vis, crochets, câbles et autres ferrures que vous utilisez pour fixer l'écran plasma pour l'empêcher de se renverser diffèrent suivant la composition et l'épaisseur de la surface sur laquelle il sera fixé.
- Sélectionnez les vis, crochets, câbles et autres ferrures qui conviennent après avoir contrôlé la surface attentivement pour déterminer son épaisseur et sa composition et après avoir consulté un installateur professionnel si nécessaire.

Dépose du support Pioneer

- Si vous déposez le support avant d'avoir installé les enceintes, commencez à l'étape 2.
- Mis à part les enceintes, les étapes de dépose du support sont les mêmes pour le PDP-6010FD et le PDP-5010FD.

1 Détachez les enceintes fournies si elles ont déjà été installées.

- Pour détacher les enceintes, retirez les câbles des enceintes à l'arrière et les vis à l'arrière des enceintes puis retirez les enceintes (voir opération 3 page 20 pour le PDP-6010FD ou opération 3 page 24 pour le PDP-5010FD).

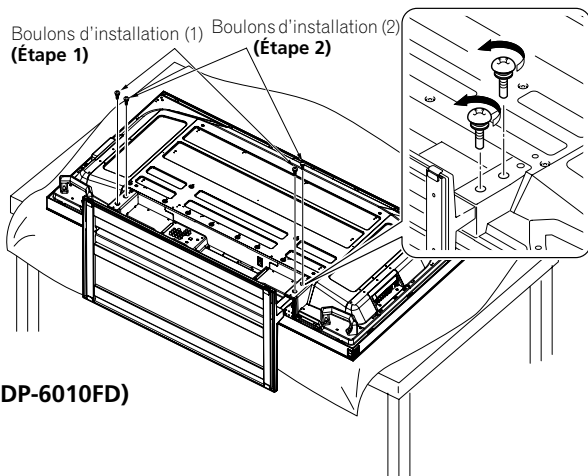


- Utilisez la feuille de protection dans laquelle les enceintes ont été livrées et placez-la entre les enceintes et le support.
- Assurez-vous de retirer les pièces de fixation des enceintes.

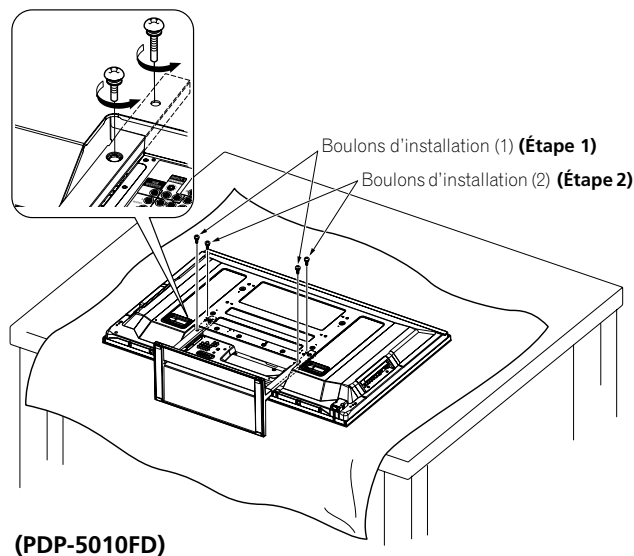
2 L'écran plasma étant posé à plat, desserrez et enlevez les deux boulons d'installation (1) et (2) à l'aide d'un tournevis.

Boulons d'installation (1): M8 x 23 mm (noir) pour PDP-5010FD
M6 x 20 mm (noir) pour PDP-6010FD

Boulons d'installation (2): M8 x 40 mm (noir) pour PDP-5010FD
M6 x 20 mm (noir) pour PDP-6010FD



(PDP-6010FD)



(PDP-5010FD)

3 Retirez le support de l'écran plasma.

Remarque

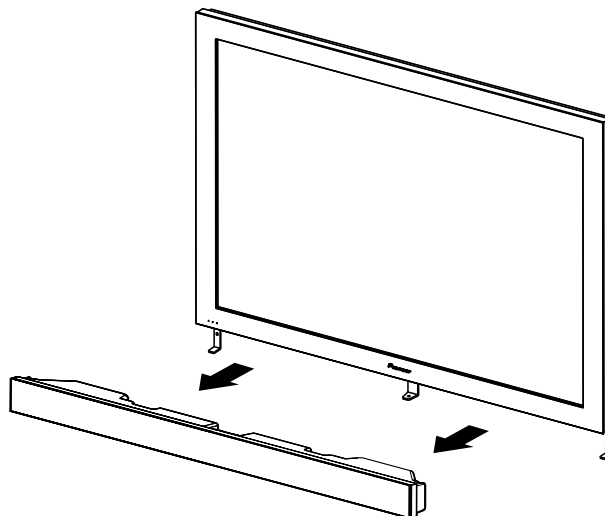
- Assurez-vous de conserver les boulons d'installation (1) et (2) qui ont été retirés car ils serviront encore lors de la fixation du support à l'écran plasma.
- Placez une feuille ou une couverture de protection pour protéger l'écran des rayures ou de tout dommage.
- Travaillez uniquement avec l'écran plasma posé à plat sur une table ou une surface similaire.
- Quand vous couchez l'écran plasma, faites attention de ne pas le rayer ni de l'endommager.

Remise en place du support

- Si l'écran plasma est monté sans les enceintes fournies, commencez à partir de l'étape 2.
- Mis à part les enceintes, les étapes de pose du support sont les mêmes pour le PDP-6010FD et le PDP-5010FD (utilisez les trous de vis portant la marque "T").

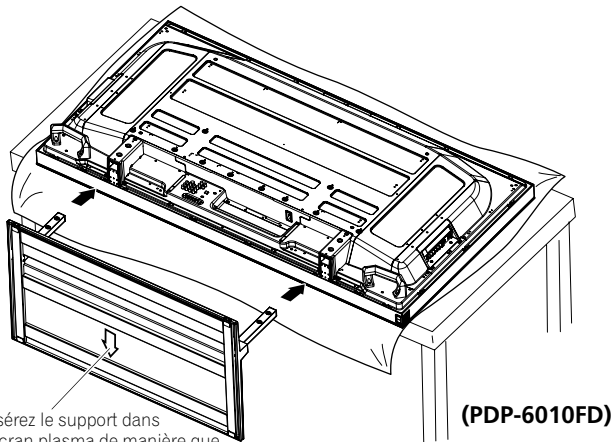
1 Détachez les enceintes fournies si l'écran plasma est fixé à un mur avec les enceintes attachées.

- Pour détacher les enceintes, retirez les câbles des enceintes à l'arrière et les vis au bas des enceintes puis retirez les enceintes (voir les illustrations page 22 pour le PDP-6010FD et page 26 pour le PDP-5010FD).



2 L'écran plasma étant posé à plat, positionnez les colonnes de soutien du support contre le bas de l'écran plasma comme indiqué par les flèches, puis insérez-les lentement.

- Faites très attention de ne pas insérer les colonnes de soutien du support dans n'importe quelle autre partie de l'écran plasma que les fentes d'insertion du support. Sinon, cela pourrait endommager le panneau de l'écran plasma ou ses prises ou entraîner une déformation du support.

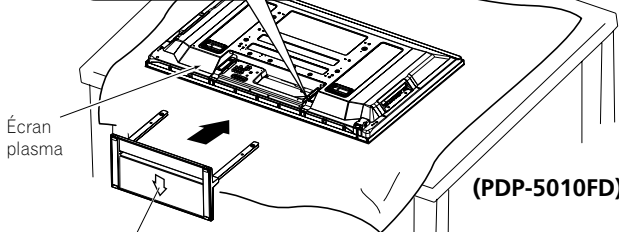


Insérez le support dans l'écran plasma de manière que la flèche portant la marque "FRONT/FACE AVANT" située à sa partie inférieure soit orientée vers le bas.

(PDP-6010FD)



Alignez les colonnes de soutien avec le bas de l'écran plasma comme indiqué sur l'illustration ci-contre.



Écran plasma

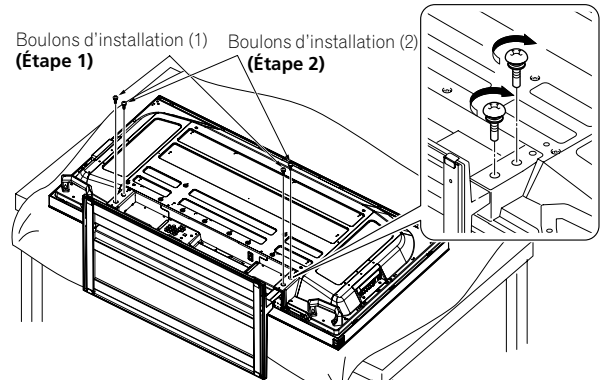
(PDP-5010FD)

Insérez le support dans l'écran plasma de manière que la flèche portant la marque "FRONT/FACE AVANT" située à sa partie inférieure soit orientée vers le bas.

3 Fixez le support aux endroits indiqués par les flèches et serrez fermement les boulons d'installation (2) et (1) avec un tournevis.

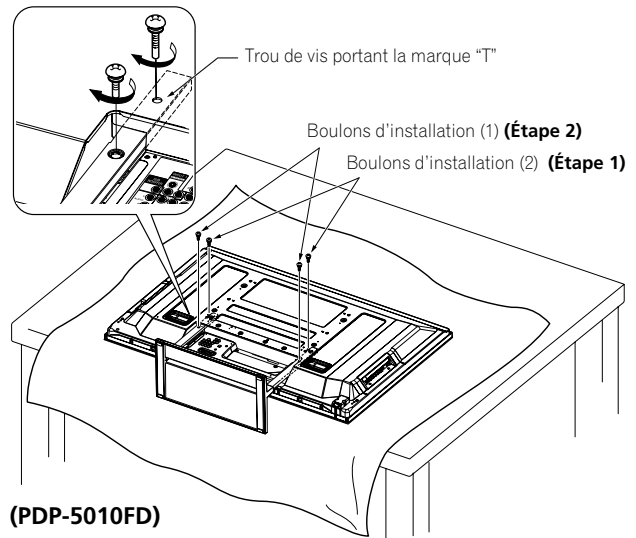
Boulons d'installation (1): M8 x 23 mm (noir) pour PDP-5010FD
M6 x 20 mm (noir) pour PDP-6010FD

Boulons d'installation (2): M8 x 40 mm (noir) pour PDP-5010FD
M6 x 20 mm (noir) pour PDP-6010FD



Boulons d'installation (1) (Étape 1) Boulons d'installation (2) (Étape 2)

(PDP-6010FD)



Trou de vis portant la marque "T"

Boulons d'installation (1) (Étape 2)

Boulons d'installation (2) (Étape 1)

(PDP-5010FD)

4 Remplacez l'écran plasma droit sur le support. Pour l'installation des enceintes, reportez-vous à "Installation des enceintes Pioneer" page 18.

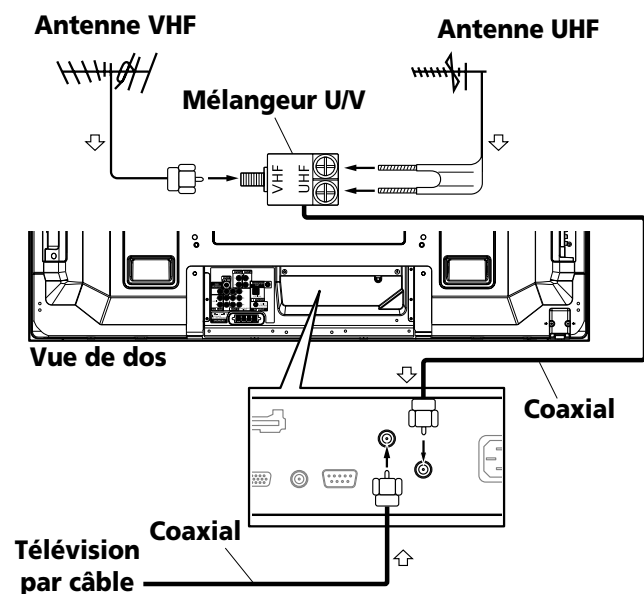
Remarque

- Assurez-vous de faire l'installation de l'écran plasma sur une surface plate et stable.
- Insérez les vis verticalement dans les trous et serrez-les.
- Placez une feuille ou une couverture de protection pour protéger l'écran des rayures ou de tout dommage.
- Travaillez uniquement avec l'écran plasma posé à plat sur une table ou une surface similaire.
- Quand vous couchez l'écran plasma, faites attention de ne pas le rayer ni de l'endommager.

Connexion des câbles pour les chaînes de télévision numérique et/ou ordinaire

Ce système est muni de deux prises pour l'entrée de signaux de télévision: ANT/CABLE A IN et ANT B IN. La prise ANT/CABLE A IN accepte les signaux de télévision numérique et ordinaire; la prise ANT B IN n'accepte que les signaux de télévision ordinaire. Pour recevoir par câble des canaux de télévision numérique et/ou ordinaire, utilisez la prise ANT/CABLE A IN comme montré. De plus, vous pouvez connecter une antenne à la prise ANT B IN comme montré; utilisez une antenne extérieure pour obtenir des images plus claires. Si l'antenne extérieure est munie d'un câble coaxial 75 ohms à connecteur de type F, branchez ce connecteur à la prise d'antenne se trouvant au dos de l'écran plasma.

Connexion d'antennes VHF/UHF et d'un câble



Remarque

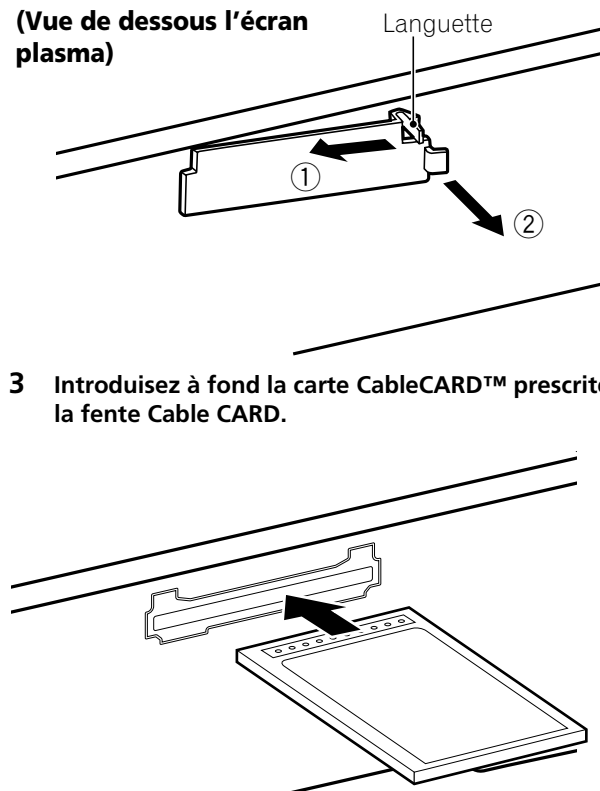
- Veillez à connecter les câbles coaxiaux comme montré ci-dessus. Si les connexions ne sont pas correctes, la réception des signaux peut s'avérer impossible.
- Pour la réception de chaînes de télévision par câble, veillez à connecter le câble à la prise ANT/CABLE A IN.
- Les prises ANT/CABLE A IN et ANT B IN ne doivent pas recevoir les mêmes signaux. Par exemple, ne connectez pas un système de télévision par câble aux prises ANT/CABLE A IN et ANT B IN à la fois. De façon similaire, ne connectez pas un câble d'une antenne aux prises ANT/CABLE A IN et ANT B IN à la fois.
- TV Guide peut ne pas être disponible dans toutes les régions et n'est pas disponible avec les systèmes satellite. De plus, quand les fournisseurs de service passeront aux programmes et à la diffusion numériques, les données de TV Guide peuvent devenir indisponibles.

Introduction de la carte CableCARD™

L'écran plasma est pourvu d'une fente pour l'introduction d'une carte CableCARD™. Lorsque vous captez, par le câble, une chaîne de télévision numérique ou haute définition, la carte permet d'employer les services POD fournis par la société de câblodistribution; POD est l'abréviation de l'anglais Point of Deployment. Ces services vous donnent accès à diverses informations utiles et sont en texte HTML.

- 1 Assurez-vous que la prise ANT/CABLE A IN a bien été connectée au convertisseur de câble au moyen d'un câble coaxial.
- 2 Saisissez et poussez vers la gauche la languette du couvercle de la fente située à l'arrière de l'écran plasma, et retirez le couvercle en tirant la languette vers le bas.

(Vue de dessous l'écran plasma)



- 3 Introduisez à fond la carte CableCARD™ prescrite dans la fente Cable CARD.

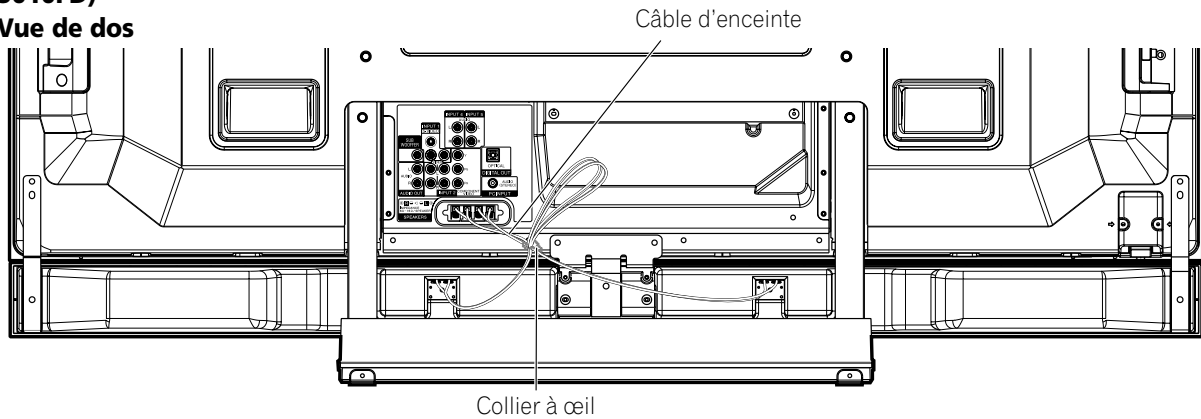
Remarque

- Veillez à n'introduire que la carte CableCARD™ prescrite.
- N'introduisez pas de carte PC.
- Quand vous utilisez une carte CableCARD™, il est inutile d'exécuter la présélection automatique de chaîne; la carte CableCARD™ génère automatiquement une liste de chaînes.

Cheminement des câbles

Quand les enceintes sont installées sous le panneau de l'écran plasma (PDP-5010FD)

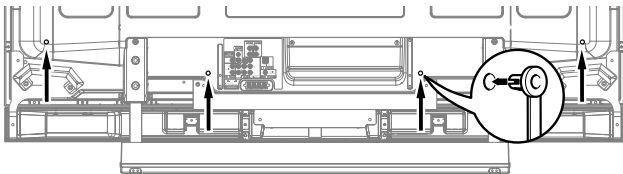
Vue de dos



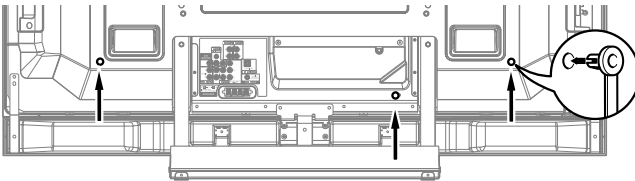
Fixation des colliers rapides à l'appareil

Fixez les colliers rapides dans les trois trous (60 pouces: quatre trous) indiqués ↑ ci-dessous, en fonction de votre acheminement des câbles.

pour PDP-6010FD



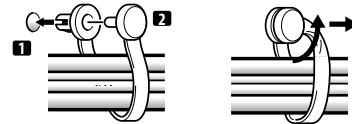
pour PDP-5010FD



Pose et dépose des colliers rapides

Introduisez la partie [1] dans le trou convenable, à l'arrière de l'écran plasma, puis engagez la partie [2] dans la partie [1] pour assurer la fermeture du collier. Les colliers rapides sont conçus pour être difficiles à déposer une fois qu'ils sont en place et fermés. Effectuez leur pose avec soin.

Utilisez une paire de pinces pour tourner le collier de 90°, tout en tirant vers l'extérieur. Le collier peut se détériorer avec le temps et être endommagé au cours de sa dépose.



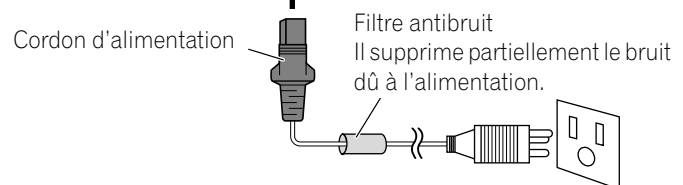
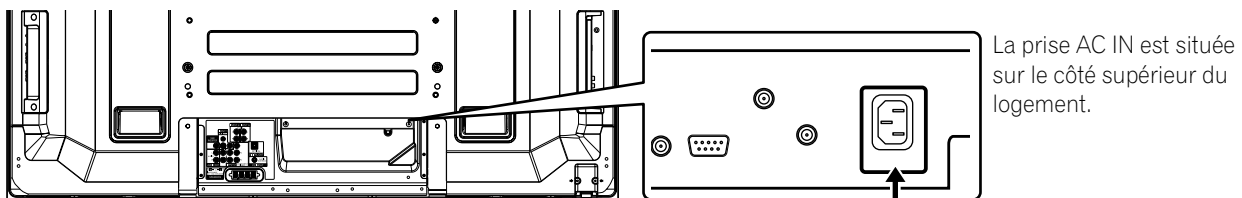
Remarque

- Utilisez les colliers à œil et les colliers rapides fournis comme nécessaire.
- Quand vous attachez vos câbles d'enceinte, assurez-vous de le faire de façon qu'ils ne soient soumis à aucune pression.

Connexion du cordon d'alimentation

Ne branchez le cordon d'alimentation qu'après avoir réalisé toutes les autres connexions.

Écran plasma (vue de dos)



Attention

- N'utilisez que le cordon d'alimentation fourni.
- N'alimentez pas l'appareil sous une tension autre que celle indiquée car vous pourriez provoquer un incendie ou vous exposer à une secousse électrique.
- Par souci de sécurité, l'écran plasma est doté d'un cordon d'alimentation à trois conducteurs avec prise de terre. Veillez à brancher la fiche du cordon d'alimentation à une prise secteur à trois broches convenablement reliée à la terre.

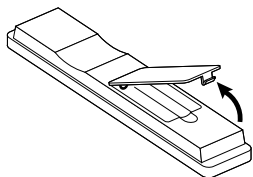
Remarque

- Coupez toujours l'alimentation de l'écran plasma avant de brancher ou de débrancher les cordons d'alimentation.
- Débranchez le cordon d'alimentation au niveau de la prise secteur si vous envisagez de ne pas utiliser l'écran plasma pendant une longue période.

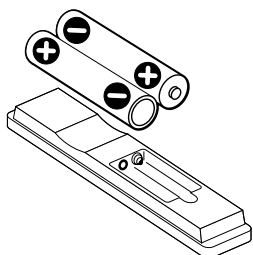
Préparation du boîtier de télécommande

Mise en place des piles

1 Ouvrez le couvercle du logement des piles.

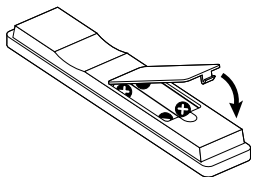


2 Mettez les deux piles AA fournies en place en introduisant d'abord le côté portant la borne négative (-).



- Respectez les polarités (+) et (-) indiquées dans le logement des piles.

3 Fermez le couvercle du logement des piles.



Précautions relatives aux piles

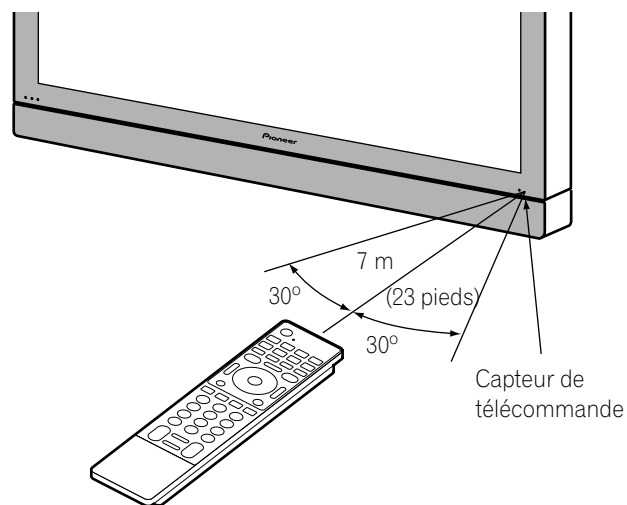
- Le boîtier de télécommande ne peut pas agir sur l'appareil si les piles qu'il contient sont épuisées. Dans ce cas, remplacez les piles par des piles neuves.
- Quand vous remplacez les piles du boîtier de télécommande, utilisez des piles alcalines.
- N'utilisez pas, en même temps, des piles de type différent. Si les types diffèrent, il en est de même des caractéristiques.
- N'utilisez pas en même temps une pile neuve et une pile usagée. Utiliser conjointement une pile neuve et une pile usagée peut se traduire par une réduction de la durée de vie de la pile neuve, ou une fuite de l'électrolyte de la pile usagée.
- Ne laissez pas des piles usagées dans le boîtier de télécommande car une fuite de l'électrolyte pourrait en résulter. En cas de fuite de l'électrolyte, nettoyez soigneusement le logement des piles avec un chiffon.
- Les piles fournies avec cet appareil peuvent avoir une durée de service plus courte que prévue du fait des conditions de stockage.
- Retirez les piles si vous envisagez de ne pas faire usage du boîtier de télécommande pendant longtemps.

Mise au rebut des piles

Pour la mise au rebut des piles, veuillez vous conformer aux règlements locaux ou aux instructions relatives à l'environnement applicables dans votre pays ou votre région.

Portée du boîtier de télécommande

Agissez sur le boîtier de télécommande en le dirigeant vers le capteur qui est placé à la partie inférieure droite de la face de l'écran plasma. La distance du boîtier au capteur doit être inférieure à 7 m (23 pieds) et l'angle du faisceau avec la face de l'écran doit être à 30 degrés, quelle que soit la position du boîtier dans l'espace.



Remarque

- Pour les emplacements du capteur de télécommande, voir *Nomenclature* page 14.



Précautions relatives au boîtier de télécommande

- Ne heurtez pas le boîtier de télécommande, ne l'exposez ni à des liquides ni à une forte humidité.
- Ne laissez pas le boîtier de télécommande exposé à la lumière directe du soleil; cela pourrait le déformer.
- Le boîtier de télécommande peut être sans effet si le capteur de télécommande de l'écran plasma est éclairé par le soleil ou une vive lumière. Dans une telle situation, vous pouvez soit changer l'emplacement de l'éclairage ou de l'écran plasma, soit approcher le boîtier de télécommande du capteur de télécommande.
- Si un obstacle se trouve placé entre le boîtier et le capteur de télécommande, l'action à distance de la télécommande peut être impossible.
- Lorsque les piles sont usagées, la portée du boîtier de télécommande peut être sensiblement réduite. Dans ce cas, remplacez les piles du boîtier par des piles neuves.
- Le panneau de l'écran plasma émet un très faible rayonnement infrarouge. Si vous placez à proximité un appareil commandé à distance par des signaux infrarouges, par exemple un magnétoscope, la réception des signaux émis par son boîtier de télécommande peut être perturbée. Le cas échéant, éloignez suffisamment l'appareil de l'écran plasma.
- En fonction des caractéristiques de l'installation, le rayonnement infrarouge émis par le panneau de l'écran plasma peut interdire la réception convenable des ordres émis par le boîtier de télécommande, ou bien vous obliger à faire usage du boîtier à plus courte distance du capteur de télécommande. La puissance du rayonnement infrarouge émis par l'écran dépend des caractéristiques de l'image affichée.

Chapitre 6

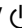
Opérations de base

Mise en service

- Mettez  de l'écran plasma sur la position de marche quand les témoins POWER ON et STANDBY sont éteints (voir Nomenclature, pages 14 et 15).
 - Le système est mis sous tension.
 - Le témoin POWER ON s'allume en bleu.
- Appuyez sur TV  du boîtier de télécommande ou sur STANDBY/ON de l'écran plasma si le témoin STANDBY est allumé en rouge.
 - Le témoin POWER ON s'allume en bleu.

Mise hors service

(à partir du mode de veille)


- 1 Appuyez sur TV  du boîtier de télécommande ou sur STANDBY/ON de l'écran plasma.
 - Le système passe en veille et l'image disparaît de l'écran.
 - Le témoin STANDBY s'allume en rouge.
 - Quand il est en veille, le système peut recevoir les signaux d'information concernant les émissions de télévision numérique.

Remarque

- Si vous envisagez de ne pas utiliser le système pendant une longue période, débranchez le cordon d'alimentation de la prise de courant.

Témoins d'état de l'écran plasma

Le tableau ci-dessous indique l'état de fonctionnement de l'écran plasma. Vous pouvez contrôler l'état actuel du système avec les témoins de l'écran plasma.

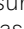
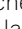
État des témoins		État du système
POWER ON	STANDBY	
●	●	Le cordon d'alimentation de l'écran plasma a été débranché. Ou bien, le cordon d'alimentation de l'écran plasma a été branché mais la touche  de l'écran plasma est sur la position de repos.
☀	●	Le système est en service.
●	☀	Le système est en veille.

Pour toute situation autre que celles ci-dessus, reportez-vous à *Guide de dépannage* à la page 93.

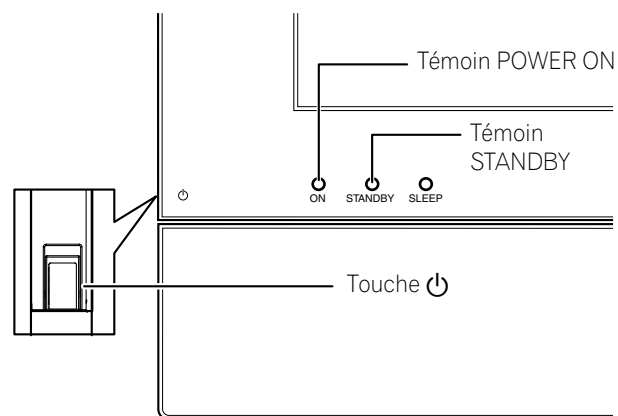
Remarque

- Vous pouvez sélectionner "Auto", "Haute", "Moyenne" ou "Basse" pour la luminosité du témoin POWER ON. Quand "Auto" est sélectionné, la luminosité du témoin passe automatiquement à "Haute", "Moyenne" ou "Basse" en fonction de la luminosité ambiante. Pour les détails, reportez-vous à *Luminosité DEL bleue* à la page 69.

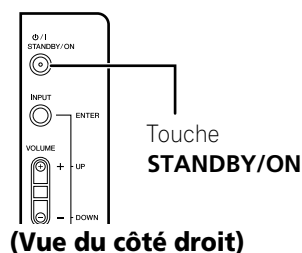
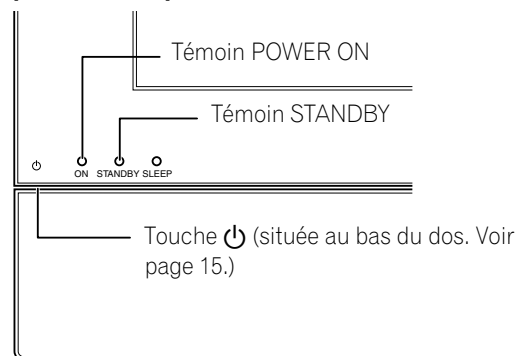
Attention

- Pendant que les témoins POWER ON et STANDBY sont éteints, le système ne peut pas être mis en veille même si vous appuyez sur la touche TV  ou STANDBY/ON. Mettez  de l'écran plasma sur la position de marche.
- L'écran plasma continue de consommer de l'énergie aussi longtemps que le cordon d'alimentation est branché sur la prise secteur.

Écran plasma (PDP-6010FD)



(PDP-5010FD)



Pour regarder une chaîne de télévision

Vous ne pouvez effectuer l'accord sur une chaîne que si vous avez préalablement réglé le téléviseur sur cette chaîne. Pour la procédure, reportez-vous à *Réglage des chaînes de télévision* à la page 43.

Remarque

- Lorsque vous regardez une émission de télévision numérique, des messages d'urgence peuvent défiler en haut de l'écran. Ces messages sont diffusés par les stations de télévision lorsqu'une situation d'urgence se présente.

Sélection de l'antenne

Après vous être assuré que le sélecteur de mode du boîtier de télécommande est sur la position "TV", appuyez sur **ANT**, sur le boîtier de télécommande, pour sélectionner soit l'antenne A, soit l'antenne B.

- Effectuez cette sélection en fonction de la manière dont sont connectées les prises d'entrée antenne de l'écran plasma (page 30).
- Tandis que vous recevez une émission, appuyez sur **ANT** pour afficher l'image de l'émission captée par l'autre antenne.
- Appuyer sur la touche **ANT** alors que l'appareil est en mode affichage multiple (image télévisée et image vidéo) et que TV est sélectionné, provoque l'affichage de l'image télévisée captée par l'autre antenne.
- Appuyer sur la touche **ANT** alors que l'appareil est en mode affichage multiple et que deux images de télévision sont affichées, n'a aucun effet.

Sélection des chaînes

Pour accroître le numéro de chaîne, appuyez sur la touche **CH +** du boîtier de télécommande. Pour diminuer le numéro de chaîne, appuyez sur la touche **CH -**.

- Les touches **CHANNEL +/-** de l'écran plasma agissent de la même manière que les touches **CH +/-** du boîtier de télécommande.
- Appuyez sur **CH RETURN** pour passer de la chaîne actuelle à la chaîne précédemment captée. Appuyez une nouvelle fois sur la touche **CH RETURN** pour rétablir la chaîne qui était captée.

Utilisation des touches 0 à 9 et • (point) du boîtier de télécommande

Vous pouvez sélectionner directement une chaîne en appuyant sur une des touches **0 à 9**. Pour sélectionner une chaîne secondaire, utilisez la touche **• (point)**.

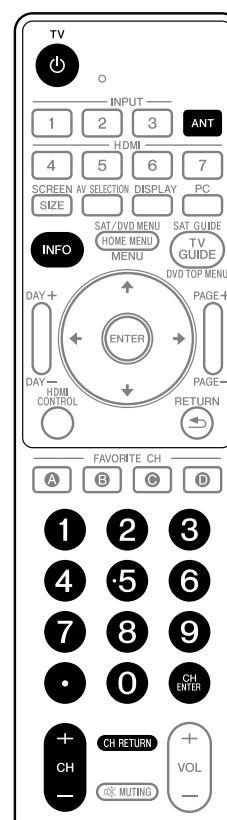
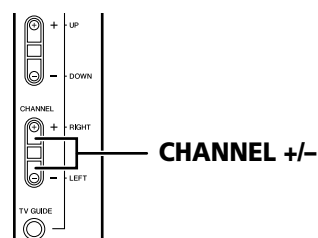
EXEMPLE

- Pour sélectionner la chaîne 5 (numéro à un chiffre), appuyez sur **5**.
- Pour sélectionner la chaîne 25 (numéro à deux chiffres), appuyez sur **2** puis sur **5**.
- Pour sélectionner la chaîne 125 (numéro à trois chiffres), appuyez sur **1**, **2** puis **5**.
- Pour sélectionner la chaîne secondaire 10.01, appuyez sur **1**, **0**, • (point), **0** puis **1**.
- Pour sélectionner la chaîne secondaire 10.001 (pour la télévision par câble), appuyez sur **1**, **0**, • (point), **0**, **0**, puis **1**.

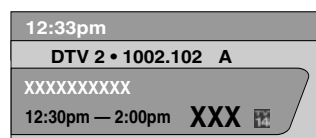
Remarque

- Après avoir tapé le numéro d'une chaîne principale ou secondaire, vous pouvez appuyer sur **CH ENTER** pour effectuer plus rapidement l'accord.
- Chaque fois que vous changez de chaîne, une bannière donnant des informations sur la chaîne actuellement sélectionnée apparaît. Pour faire disparaître la bannière de chaîne, appuyez sur **INFO**.
- Si vous ne configurez pas le système TV Guide On Screen™, il se peut que la bannière de chaîne n'affiche pas certaines informations d'émission.

Écran plasma (vue du côté droit)



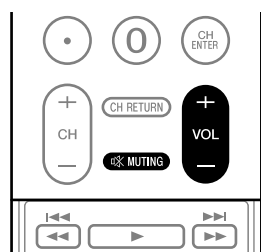
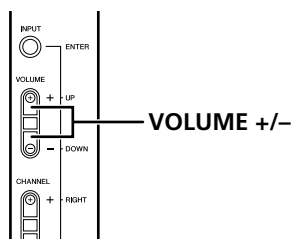
Bannière de chaîne



Modification du volume et du son

Les touches **VOLUME +/-** de l'écran plasma agissent de la même manière que les touches **VOL +/-** du boîtier de télécommande.

Écran plasma (vue du côté droit)



Pour accroître le niveau sonore, appuyez sur la touche **VOL +** du boîtier de télécommande. Pour diminuer le niveau sonore, appuyez sur **VOL -**.

Affichage de réglage du niveau sonore



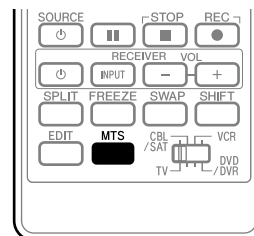
Pour couper la sortie du son, appuyez sur **MUTING**. "M" apparaît sur l'écran. Pour rétablir le son, appuyez une nouvelle fois sur **MUTING**. Une pression sur la touche **VOL +** provoque également le rétablissement du son.

Affichage de coupure du son



Sélection de la langue

Si vous avez sélectionné une émission de télévision numérique qui offre un service multilingue, vous avez la possibilité de choisir, parmi les langues proposées, la langue qui vous intéresse; pour cela, utilisez la touche **MTS** du boîtier de télécommande.



Chaque pression sur la touche **MTS** provoque la sélection d'une autre langue.

Remarque

- Les langues offertes dépendent de chaque émission.
- Si la langue choisie au moment des réglages est disponible quand vous accédez à une nouvelle chaîne ou émission, c'est dans cette langue que vous entendrez les paroles prononcées.
- Si vous regardez une émission de télévision numérique ne comportant pas d'information de son ou de langue, "N/A" apparaît sur l'écran. Quand une langue autre que Anglais, Français ou Espagnol est sélectionnée, "Autres" apparaît.

Sélection du canal audio (MTS et SAP)

Lorsque vous regardez une émission de télévision ordinaire, vous pouvez profiter de la stéréophonie ou de la voie audio secondaire grâce à la fonction MTS (Multi-channel Television Sound).

• Émissions en stéréophonie

Vous pouvez profiter des émissions de sports, de variétés ou de musique en stéréophonie.

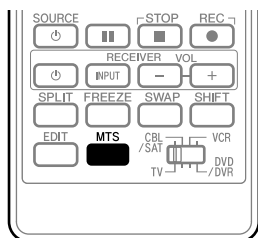
• Émissions avec voie audio secondaire

Signal audio principal: Il s'agit de la bande sonore de l'émission (elle peut être en stéréophonie ou en monophonie).

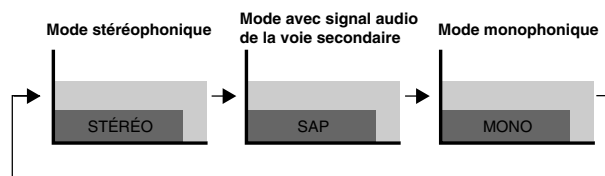
Signal audio de la voie secondaire: Écoutez l'émission dans la seconde langue, ou bien écoutez un commentaire ou toute autre information que diffuse la station. (La voie secondaire est en monophonie.)

Remarque

- Dans ce mode d'emploi, nous désignons par chaînes de télévision ordinaire, les chaînes utilisant les fréquences VHF ou UHF habituelles, ainsi que les chaînes habituelles de télévision par câble.
- Si la réception en stéréophonie est médiocre, vous pouvez manuellement choisir le mode MONO pour obtenir un son de meilleure qualité.
- Après sélection du mode MONO, les sons émis par l'écran plasma demeurent monophoniques même si l'émission reçue est en stéréophonie. Pour rétablir la stéréophonie, vous devez à nouveau sélectionner le mode STÉRÉO.
- La sélection d'un mode sonore multivoie (MTS) ne change pas le type des sons dans le cas où la source est ENTRÉE 1 à ENTRÉE 7, ou encore PC. En effet, la nature du son est alors définie par la source vidéo.
- Lorsque le système TV Guide On Screen™ est affiché, la touche **MTS** est désactivée.
- Pour chaque mode MTS/SAP sélectionné, les changements d'affichage dépendent des signaux reçus.



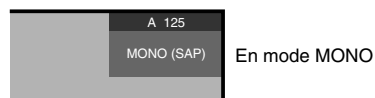
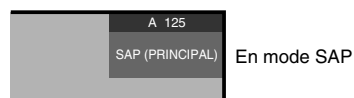
Chaque pression sur la touche **MTS**, provoque l'adoption d'un mode donné.



Au cours de la réception de signaux STÉRÉO



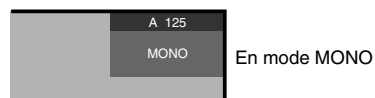
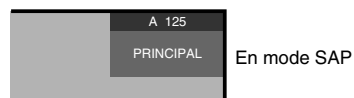
Au cours de la réception de signaux MONO + SAP



Au cours de la réception de signaux STÉRÉO + SAP

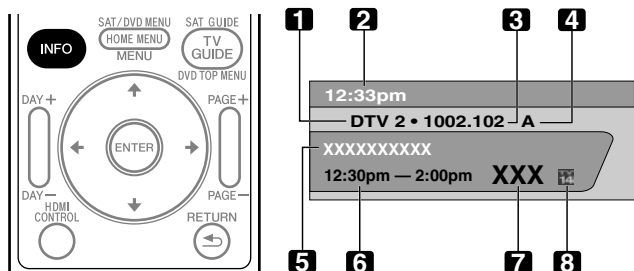


Au cours de la réception de signaux MONO



Affichage d'une bannière de chaîne

Pendant que vous regardez une émission de télévision, une pression sur **INFO** fait apparaître la bannière de chaîne comme ci-dessous. Une nouvelle pression sur **INFO** fait disparaître la bannière.



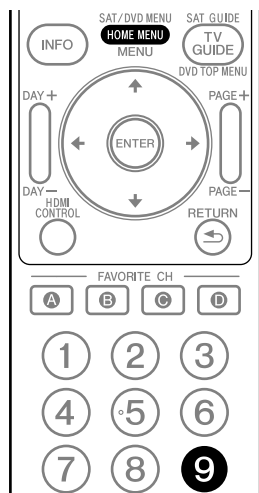
- 1 Nom de la station
- 2 Heure actuelle
- 3 Numéro de la chaîne
- 4 Entrée (Ant. A ou Ant. B)
- 5 Titre de l'émission
- 6 Horaire de l'émission
- 7 Logo de chaîne
- 8 Nom ou icône de classification de télévision

Remarque

- Les informations ci-dessus ne sont affichées que si elles appartiennent au signal diffusé.
- Si vous ne configurez pas le système TV Guide On Screen™, il se peut que la bannière de chaîne n'affiche pas certaines informations d'émission.

Utilisation des services POD

Si vous avez capté sur le câble des chaînes de télévision numérique ou haute définition, vous pouvez utiliser les services POD fournis par la société de câblodistribution. Ces services vous donnent accès à diverses informations utiles et sont en texte HTML.



Appuyez successivement sur **HOME MENU**, **9**, **9** puis **9** pour afficher la page POD.

Utilisation des fonctions d'affichage multiple

Partage d'écran

Utilisez la méthode qui suit pour obtenir 2 images égales ou une image dans l'image.

2 images

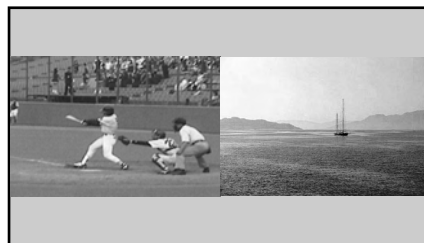
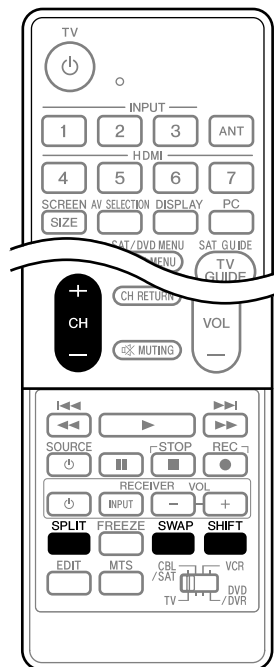
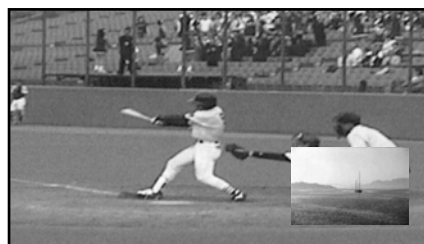


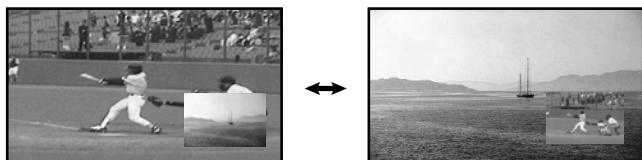
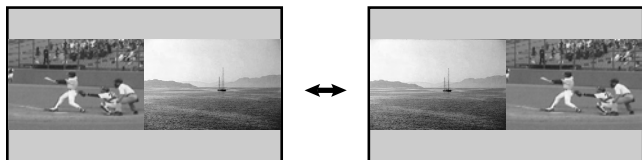
Image dans l'image



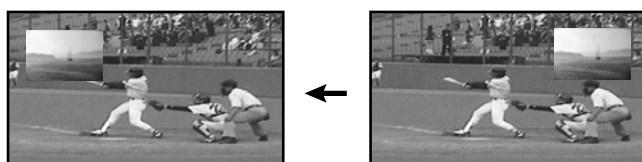
1 Appuyez sur **SPLIT** pour sélectionner le mode d'affichage.

- Chaque pression sur la touche **SPLIT** provoque la sélection d'un autre mode d'affichage, comme ceci: 2 images, image dans l'image, une seule image.

- Après avoir choisi le mode 2 images, ou une image dans l'image, la touche **SWAP** permet de permuter la position des deux images.
L'image de gauche est l'image active, ce qui est indiqué par "♪". Vous avez la faculté d'agir sur l'image et sur le son.



- En mode image dans l'image, appuyez sur **SHIFT** pour déplacer la petite image dans le sens contraire des aiguilles d'une montre.



2 Pour sélectionner une source, appuyez sur la touche d'entrée qui lui correspond.

- Si vous regardez la télévision, sélectionnez, le cas échéant, une autre chaîne au moyen de **CH +/-**.

Remarque

- Lorsque le système TV Guide On Screen™ est affiché, la touche **SPLIT** est désactivée.
- La fonction image multiple ne permet pas d'afficher en même temps deux images provenant de la même source d'entrée ou de deux sources d'entrée externes. Si vous essayez d'obtenir un tel affichage, un message d'avertissement apparaît.
- Lorsque vous appuyez sur **HOME MENU**, le mode une seule image est rétabli et le menu correspondant est affiché.
- Lorsque deux images analogiques, l'une provenant de l'antenne A et l'autre de l'antenne B, sont affichées sur l'écran, il peut y avoir une légère différence de qualité.
- Afficher des images en mode multi-écran pendant une période prolongée peut causer une rémanence d'image.

Gel d'une image

Utilisez la méthode suivante pour saisir et geler une image parmi les images animées que vous regardez.

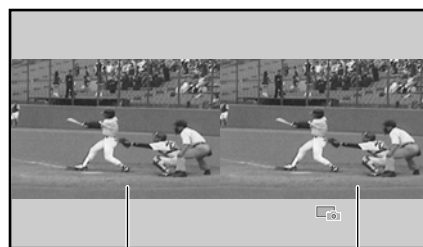
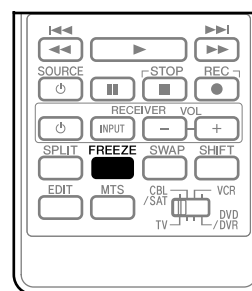


Image animée

Image fixe



1 Appuyez sur **FREEZE**.

- Une image fixe apparaît sur la partie droite de l'écran tandis qu'une image animée occupe la partie gauche.

2 Appuyez une nouvelle fois sur **FREEZE** pour annuler la fonction.

Remarque

- Avec le partage d'écran, toutes les images ne peuvent pas être gelées.
- Si vous essayez d'utiliser cette fonction quand elle n'est pas disponible, un message d'avertissement apparaît.
- Si vous n'effectuez aucune opération pendant cinq minutes, le gel d'image est annulé automatiquement.
- Afficher des images en mode gel d'image pendant une période prolongée peut causer une rémanence d'image.

Chapitre 7

Configuration du système TV Guide On Screen™

Présentation du système TV Guide On Screen™

Le système TV Guide On Screen™ est un guide interactif gratuit de programmation avec affichage d'aide sur l'écran du téléviseur. Ce système offre des listes de programmes, des recherches par mot clé, des rappels, et bien plus encore. Le système TV Guide On Screen™ est une façon pratique de trouver ce qui est diffusé en ce moment ou pendant la semaine à venir, par chaîne ou par genre. Il vous permet aussi de définir rapidement et automatiquement les émissions que vous souhaitez voir ou enregistrer.

Avant de pouvoir utiliser le système TV Guide On Screen™, il vous faut le configurer.

Avis légal

Aux États-Unis, TV Guide et d'autres marques relatives sont des marques déposées de Gemstar-TV Guide International, Inc. et/ou d'une de ses sociétés affiliées. Au Canada, TV Guide est une marque déposée de Transcontinental Inc., utilisée sous licence de Gemstar-TV Guide International, Inc.

Remarque

- Le guide interactif de programmation TV Guide On Screen™ donne des pages d'informations sur les émissions diffusées sur le câble, en analogique ou numérique, ainsi que par voie hertzienne. Il n'est pas prévu pour la diffusion par satellite.
- Suivant les réglages actuels et les éléments sélectionnés, l'ordre des écrans de configuration peut différer de celui donné dans ce manuel. Suivez les instructions qui apparaissent sur l'écran.
- Le système TV Guide peut ne pas être disponible dans certaines régions. Quand les fournisseurs de contenu passeront à la programmation et à la diffusion numériques, les données de TV Guide peuvent devenir indisponibles.

Configuration du système TV Guide On Screen™

Lors de la toute première mise en service de l'écran plasma, vous êtes automatiquement amené aux opérations de réglage général. Juste après, le processus de configuration du système TV Guide On Screen™ démarre par l'écran d'accueil. On peut accéder à la configuration à partir des écrans de rappel initiaux, ou en appuyant sur TV GUIDE pour un appareil dans lequel le système TV Guide On Screen™ n'a pas encore été configuré.

Remarque

- Une fois que vous avez configuré le système TV Guide On Screen™, le début de la réception des pages d'informations sur les émissions peut se faire dans un délai allant jusqu'à 24 heures. La réception des huit jours des pages d'informations peut prendre jusqu'à une semaine (voir l'écran 6).

Écran d'accueil

Le réglage initial du téléviseur vous amène à l'écran d'accueil. Vous pouvez aussi appuyer sur **TV GUIDE** pour commencer la configuration.

- L'écran d'accueil indique les fonctions du guide.
- Appuyez sur **ENTER** pour afficher l'écran 1 (montré sur la colonne droite de cette page).



Écran de rappel

Si vous avez précédemment sauté la configuration du guide, l'écran de rappel apparaît quand vous mettez votre téléviseur en service.

Pour faire une sélection, appuyez sur **↑/↓** de manière à mettre l'option souhaitée en surbrillance, puis appuyez sur **ENTER**.

- L'option "Start setup" affiche l'écran 1.
- L'option "Remind me to set it up later" vous ramène à la réception d'émission.
- L'option "Don't remind me again" vous ramène à la réception d'émission et empêche l'écran de rappel d'apparaître lors de la mise en service.



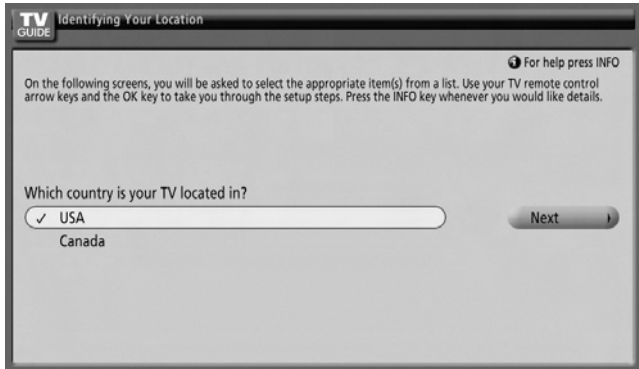
Remarque

- Si vous décidez de ne pas configurer le guide, cet écran de rappel apparaîtra lors de chaque mise en service du téléviseur (sauf si vous avez sélectionné "Don't remind me again").

Écrans de configuration du système

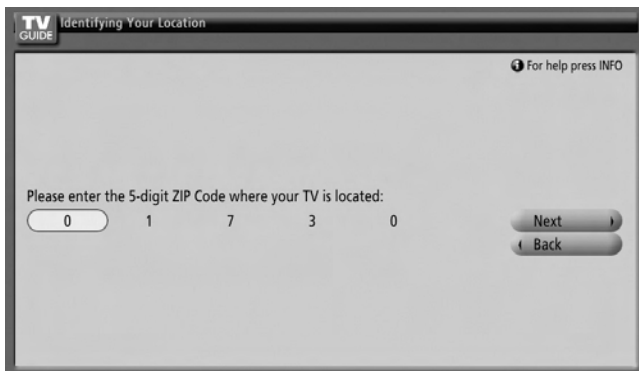
Écran 1: Sélection du pays

- Cet écran vous demande où vous utilisez votre téléviseur.
- Appuyez sur **↑/↓** pour sélectionner le pays.
- Appuyez sur **ENTER** pour valider la sélection.
- Appuyez sur **→** pour mettre **Next** en surbrillance.
- Appuyez sur **ENTER** pour afficher l'écran 2.



Écran 2: Entrée du Code ZIP ou Postal

- Si vous avez sélectionné USA à l'écran 1, l'écran d'entrée du Code ZIP apparaît.
- Entrez le code ZIP
 - en appuyant sur les touches numériques ou
 - en appuyant sur **↑/↓** pour faire défiler les chiffres, puis sur **→** pour passer au champ du caractère suivant et sur **Next**.
- Vous pouvez sélectionner le bouton Back à partir de tout écran pour repasser aux écrans de configurations précédents de manière à corriger ou contrôler les informations que vous avez entrées.
- Appuyez sur **ENTER** pour afficher l'écran 3.



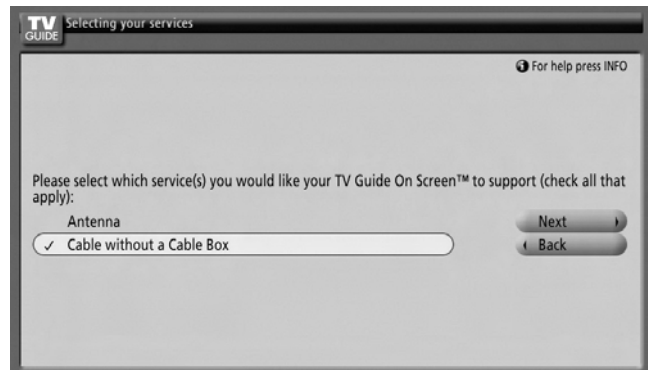
- Si vous avez sélectionné Canada à l'écran 1, l'écran d'entrée du Code Postal apparaît.
- Entrez le code postal en appuyant sur **↑/↓** pour faire défiler les lettres (ou les chiffres), puis sur **→** pour passer au champ du caractère suivant.
- Appuyez sur **→** pour mettre **Next** en surbrillance.
- Appuyez sur **ENTER** pour afficher l'écran 3.

Écran 3: Sélection de service(s)

- Appuyez sur **↑/↓** pour sélectionner la ou les sources vidéo connectées et pour lesquelles vous souhaitez recevoir des pages d'informations.
- Appuyez sur **ENTER** pour valider la ou les sélections.
- Appuyez sur **→** pour mettre **Next** en surbrillance.
- Appuyez sur **ENTER** pour passer à l'écran 4.

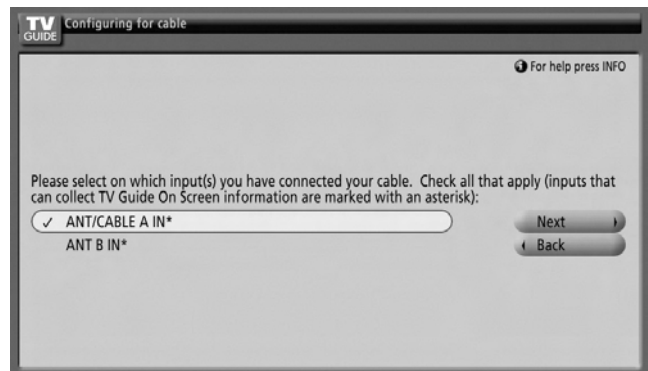
Remarque

- Si vous n'avez pas de service par câble, vous devez sélectionner Antenna pour recevoir une liste de chaînes et de pages d'informations.



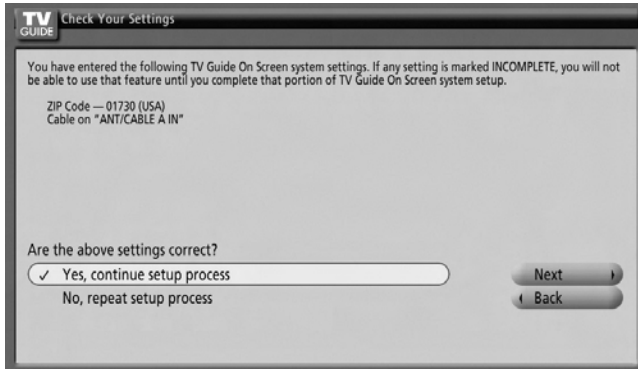
Écran 4: À quelle prise d'entrée le système est-il connecté ?

- Choisissez "ANT/CABLE A IN" ou "ANT B IN" pour afficher l'écran 5.

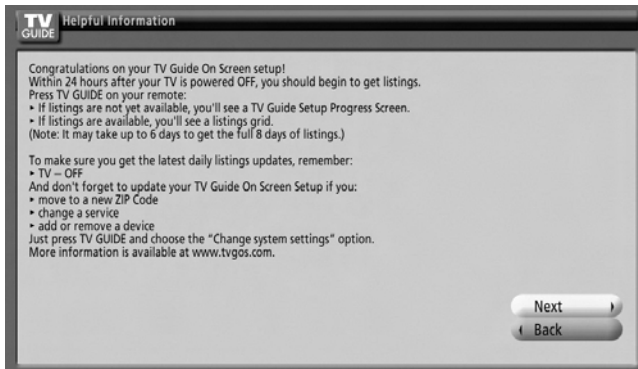


Écran 5: Les réglages sont-ils corrects ?

- Si vous sélectionnez "Yes", l'écran 6 apparaît.
- Si vous sélectionnez "No", l'écran 1 apparaît.



Écran 6: Félicitations



Chapitre 8

Menu principal (HOME MENU)

Présentation du menu principal (HOME MENU)

Pour source AV

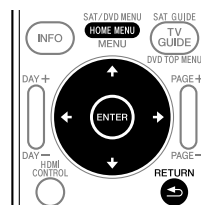
MENU HOME	Élément	Page
Image	Sélection AV	60
	Contraste	61
	Luminos.	61
	Couleur	61
	Teinte	61
	Netteté	61
	Réglage pro.	61
	Réinitial.	61
	Son	Aigus
Graves		63
Balance		63
Réinitial.		63
Effet sonore		64
Commande alimentation		Économie d'énergie
	Pas de signal arrêt	64
	Pas d'opération arrêt	65
Minut. Extinction	—	65
Options	Position	66
	Taille auto	68
	Cache latéral	68
	Entrée HDMI	71
	Rég. cmde HDMI	81
	Lumin. DEL bleue	69
	Orbiteur	69
	Mire vidéo	69
	Sortie audio numér.	74
	Langue	69
	Réglage RB tuner	67
	Préf. Cmde Jeu	67
	Capt. lum. salle	69
	Inst. du tuner	Réglage/chaînes
Contrôle parental		44 – 48
Favorites		49
Sous-titres		49 – 50
Horloge		50
Home Gallery	—	76 – 78
Cmde HDMI	—	79

Pour source PC

MENU HOME	Élément	Page
Image	Sélection AV	60
	Contraste	61
	Luminos.	61
	Rouge	61
	Vert	61
	Bleu	61
	Réinitial.	61
	Son	Comme pour la source AV
Commande alimentation	Économie d'énergie	64
	Gestion alimentation	65
Minut. Extinction	—	65
Options	Auto configuration	66
	Configuration manuelle	66
	Entrée HDMI	71
	Rég. cmde HDMI	81
Home Gallery	—	76 – 78
Cmde HDMI	—	79

Utilisation du menu principal (HOME MENU)

Dans cette section, nous abordons la méthode générale d'utilisation des menus. Pour les procédures réelles, reportez-vous aux pages qui décrivent les diverses fonctions.



- 1 Appuyez sur HOME MENU.
- 2 Utilisez \uparrow/\downarrow pour sélectionner un élément du menu puis appuyez sur ENTER.
- 3 Répétez l'opération 2 jusqu'à ce que vous ayez atteint l'élément de menu secondaire désiré.
 - Le nombre de strates d'un menu dépend des éléments du menu.
 - Si vous sélectionnez "Inst. du tuner", une barre de menu apparaît au bas de l'écran. Pour sélectionner un élément de menu secondaire sur la barre, appuyez sur \leftarrow/\rightarrow au lieu de \uparrow/\downarrow .
- 4 Appuyez sur \leftarrow/\rightarrow pour sélectionner une option (ou un paramètre) puis appuyez sur ENTER.
 - Pour certains éléments de menu, vous devez appuyer sur \uparrow/\downarrow , et non sur \leftarrow/\rightarrow .
- 5 Appuyez sur HOME MENU pour quitter le menu.

 **Remarque**

- Vous pouvez repasser aux niveaux supérieurs de menu en appuyant sur RETURN.

Chapitre 9

Inst. du tuner

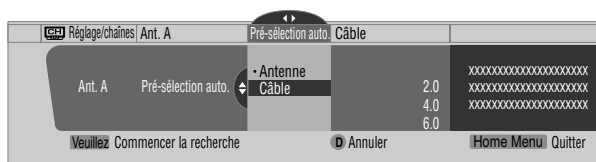
Réglage des chaînes de télévision

Cette section explique la façon de rechercher et de régler les chaînes de télévision que l'appareil peut capter dans les conditions présentes. Si vous n'effectuez pas de réglage des chaînes de télévision à l'aide de la fonction de présélection automatique de chaîne, il se peut que l'accord sur certaines chaînes soit impossible.

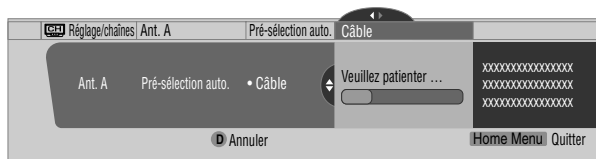
Utilisation de la présélection automatique de chaîne

La fonction de présélection automatique de chaîne recherche et règle automatiquement les chaînes de télévision.

- 1 Appuyez sur HOME MENU.
- 2 Sélectionnez "Inst. du tuner" (↑/↓ puis ENTER).
- 3 Sélectionnez "Réglage/chaînes" (←/→ puis ENTER).
- 4 Sélectionnez "Ant. A" ou "Ant. B" (↑/↓ puis ENTER).
- 5 Sélectionnez "Pré-sélection auto." (↑/↓ puis ENTER).
- 6 Select "Antenne" ou "Câble" (↑/↓ puis ENTER).



- La recherche de chaîne démarre automatiquement.



- Pour abandonner la présélection automatique de chaîne en cours, appuyez sur D.

- 7 Lorsque la présélection automatique de chaîne est terminée, appuyez sur HOME MENU pour quitter le menu.

Remarque

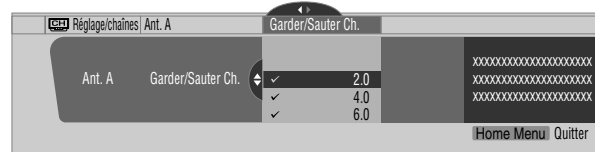
- Si vous utilisez un convertisseur de câble, il se peut que vous soyez obligé d'ajouter manuellement les chaînes qui proviennent du convertisseur.
- Quand une carte CableCARD™ insérée est en service, vous pouvez exécuter la présélection automatique de chaîne en sélectionnant "Ant.B" à l'étape 4.

Réglage pour sauter les chaînes indésirables

Parmi les chaînes de télévision recherchées et réglées à l'aide de la fonction de présélection automatique, vous pouvez sélectionner les chaînes à sauter quand les touches CH+/- sont utilisées.

- 1 Appuyez sur HOME MENU.
- 2 Sélectionnez "Inst. du tuner" (↑/↓ puis ENTER).
- 3 Sélectionnez "Réglage/chaînes" (←/→ puis ENTER).
- 4 Sélectionnez "Ant. A" ou "Ant. B" (↑/↓ puis ENTER).
- 5 Sélectionnez "Garder/Sauter Ch." (↑/↓ puis ENTER).

- 6 Sélectionnez la chaîne qui doit être sautée (↑/↓ puis ENTER).



- Les chaînes à sauter sont décochées.

- 7 Appuyez sur HOME MENU pour quitter le menu.

Remarque

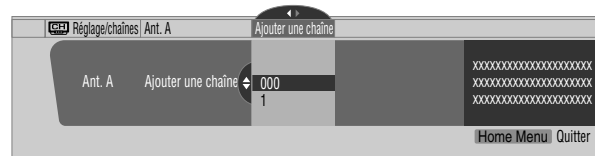
- Pour rétablir les chaînes sautées, utilisez la procédure ci-dessus sauf l'étape 6 de sélection de la chaîne à sauter.
- Si vous utilisez un convertisseur de câble, il se peut que vous soyez obligé d'ajouter manuellement les chaînes qui proviennent du convertisseur.

Réglage manuel des chaînes de télévision

Cette section décrit la manière de régler manuellement les chaînes de télévision qui n'ont pas été traitées par la fonction de présélection automatique de chaîne.

- 1 Appuyez sur HOME MENU.
- 2 Sélectionnez "Inst. du tuner" (↑/↓ puis ENTER).
- 3 Sélectionnez "Réglage/chaînes" (←/→ puis ENTER).
- 4 Sélectionnez "Ant. A" ou "Ant. B" (↑/↓ puis ENTER).
- 5 Sélectionnez "Ajouter une chaîne" (↑/↓ puis ENTER).
- 6 Sélectionnez le numéro de la chaîne à ajouter (↑/↓ puis ENTER).

- Vous pouvez taper le numéro de chaîne au moyen des touches 0 à 9.



- Après avoir appuyé sur ENTER, une page de confirmation s'affiche.

- 7 Appuyez sur A pour terminer la procédure de réglage.
- 8 Appuyez sur HOME MENU pour quitter le menu.

Remarque

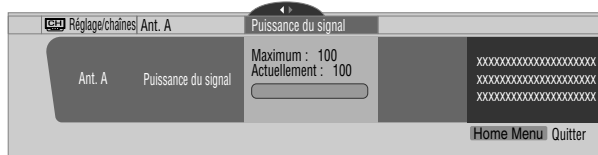
- L'ajout manuel des chaînes concerne uniquement les chaînes analogiques. Les chaînes numériques ne peuvent pas être ajoutées.

Vérification de la puissance du signal

Après avoir sélectionné l'antenne A, vous pouvez avoir une idée de la puissance du signal reçu. Vous pouvez utiliser cette fonction lors de la réception d'une chaîne via une antenne VHF/UHF.

- 1 Appuyez sur HOME MENU.
- 2 Sélectionnez "Inst. du tuner" (↑/↓ puis ENTER).
- 3 Sélectionnez "Réglage/chaînes" (←/→ puis ENTER).
- 4 Sélectionnez "Ant. A" (↑/↓ puis ENTER).

5 Select "Puissance du signal" (↑/↓ puis ENTER).



- Orientez l'antenne de manière que la puissance du signal capté soit aussi élevée que possible.

6 Appuyez sur HOME MENU pour quitter le menu.

Remarque

- Cette fonction est disponible seulement lors de la réception de signaux numériques par voie hertzienne.
- Quand vous utilisez le système TV Guide On Screen™ avec un service de câblodistribution, sélectionnez "Câble" pour "Pré-sélection auto."
- L'exécution de plus d'un balayage pour câble donnera lieu à des défaillances de réception.

Vérification de l'identité de la carte CableCARD™

L'écran plasma possède une fente permettant d'utiliser une carte CableCARD™ servant à la gestion des informations fournies par la société de câblodistribution. Cette fente pour carte CableCARD™ se trouve au dos de l'écran plasma. Les opérations suivantes vous permettent de vérifier l'identité de la carte CableCARD™ et l'identité de l'hôte.

- 1 Appuyez sur HOME MENU.
- 2 Sélectionnez "Inst. du tuner" (↑/↓ puis ENTER).
- 3 Sélectionnez "Réglage/chânes" (←/→ puis ENTER).
- 4 Sélectionnez "ID POD" (↑/↓).
 - L'identité de l'hôte et celle de la carte CableCARD™ apparaissent.
- 5 Appuyez sur HOME MENU pour quitter le menu.

Contrôle parental

La restriction parentale est un outil destiné à empêcher que les enfants puissent regarder des images télévisées, sur magnétoscope ou sur DVD que leurs parents jugent non appropriées. Lors d'une tentative de visionnement d'images (télévisées ou enregistrées sur support physique) interdites par les parents, l'écran plasma n'affiche qu'un message. La restriction parentale fonctionne aussi bien pour les émissions de télévision ordinaire que pour celles de télévision numérique.

Aux États-Unis, il existe trois systèmes de classement: le classement des émissions de télévision, le classement parental des émissions de télévision et le classement des films. Le classement des films est établi par MPAA (Motion Picture Association of America); il concerne les films et non pas leur version pour la télévision.

Pour le système de classement au Canada, reportez-vous à la page 46.

Remarque

- Aux États-Unis, le système de classement parental des émissions de télévision permet de bloquer les émissions dont le classement est "Aucun" sur cet appareil. Exemples d'émissions dont le classement est "Aucun":
 - Bulletins d'urgence (tels que messages EAS, alertes météo et autres)
 - Émissions locales
 - Informations
 - Politique
 - Annonces de service public
 - Affaires religieuses
 - Sports
 - Météo

Classement volontaire des films (MPAA)

Classement	Description
N/A	Pas applicable pour le classement MPAA
G	Tout public. Tous les âges.
PG	Le conseil des parents est souhaitable. Certaines scènes peuvent ne pas convenir aux enfants.
PG-13	L'attention des parents est vivement appelée. Certaines scènes peuvent ne pas convenir aux enfants de moins de 13 ans.
R	Public restreint. Un parent ou un tuteur doivent accompagner les moins de 17 ans (cet âge varie d'une juridiction à l'autre).
NC-17	Interdit au moins de 17 ans.
NR	Pas de classement.

Tranches d'âge

Remarque

- Le système volontaire de classement des films ne fait appel qu'à des critères d'âge.

Classement des émissions de télévision

Classement	Description
TV-Y	Tous les enfants
TV-Y7	Enfants d'au moins sept ans
TV-G	Tout public
TV-PG	Le conseil des parents est souhaitable
TV-14	L'attention des parents est vivement appelée
TV-MA	Public averti uniquement

Tranches d'âge

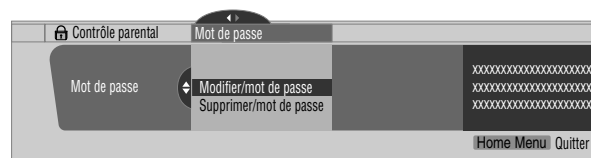
Remarque

- Le système permet aussi de sélectionner "Aucun", qui bloque les émissions dont le classement est "Aucun". Pour des exemples de telles émissions, voyez la partie "Remarque" sur la colonne de gauche.

Changement de mot de passe

L'emploi du mot de passe interdit toute modification des réglages de contrôle parental faits par l'utilisateur. Un mot de passe par défaut (1234) a été enregistré avant la sortie de la fabrique. Procédez de la manière suivante pour changer le mot de passe.

- 1 Appuyez sur HOME MENU.
- 2 Sélectionnez "Inst. du tuner" (↑/↓ puis ENTER).
- 3 Sélectionnez "Contrôle parental" (←/→ puis ENTER).
- 4 Sélectionnez "Mot de passe" (↑/↓ puis ENTER).
- 5 Sélectionnez "Modifier/mot de passe" (↑/↓ puis ENTER).



- 6 Tapez le mot de passe actuel à quatre chiffres en vous servant des touches 0 à 9.
- 7 Tapez le nouveau mot de passe à quatre chiffres en vous servant des touches 0 à 9.

- 8 Tapez le même mot de passe qu'à l'opération 7.
 - Une page de confirmation s'affiche.
- 9 Appuyez sur A.
- 10 Appuyez sur HOME MENU pour quitter le menu.

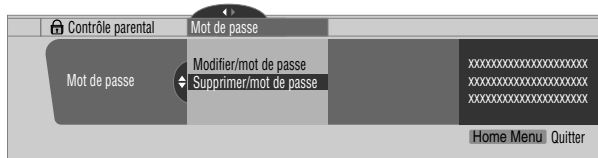
Remarque

- Notez par écrit le nouveau mot de passe et gardez-le dans un endroit sûr.

Effacement du mot de passe

Procédez de la manière suivante pour effacer le mot de passe.

- 1 Appuyez sur HOME MENU.
- 2 Sélectionnez "Inst. du tuner" (↑/↓ puis ENTER).
- 3 Sélectionnez "Contrôle parental" (←/→ puis ENTER).
- 4 Sélectionnez "Mot de passe" (↑/↓ puis ENTER).
- 5 Sélectionnez "Supprimer/mot de passe" (↑/↓ puis ENTER).



- 6 Tapez le mot de passe actuel à quatre chiffres en vous servant des touches 0 à 9.
 - Une page de confirmation s'affiche.
- 7 Appuyez sur A.
- 8 Appuyez sur HOME MENU pour quitter le menu.

Remarque

- La méthode ci-dessus rétablit le mot de passe par défaut (1234).

Mise en service de la restriction parentale

- 1 Appuyez sur HOME MENU.
- 2 Sélectionnez "Inst. du tuner" (↑/↓ puis ENTER).
- 3 Sélectionnez "Contrôle parental" (←/→ puis ENTER).
- 4 Sélectionnez "Statut" (↑/↓ puis ENTER).
- 5 Sélectionnez "Marche" (↑/↓ puis ENTER).
 - La page de saisie du mot de passe s'affiche. Tapez le mot de passe à quatre chiffres en vous servant des touches 0 à 9.
- 6 Appuyez sur HOME MENU pour quitter le menu.

Nous vous proposons d'écrire ici le mot de passe.

PDP-6010FD/PDP-5010FD

Mot de passe:

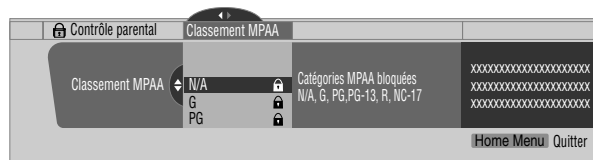


Si vous oubliez le mot de passe

Lorsque le message "Veuillez entrer le mot de passe" s'affiche au cours de l'étape 6 de l'opération "Effacement du mot de passe", maintenez la pression d'un doigt sur la touche **ENTER** du boîtier de télécommande pendant au moins trois secondes. Le mot de passe redevient "1234".

Utilisation du classement volontaire des films (MPAA)

- 1 Appuyez sur HOME MENU.
- 2 Sélectionnez "Inst. du tuner" (↑/↓ puis ENTER).
- 3 Sélectionnez "Contrôle parental" (←/→ puis ENTER).
- 4 Sélectionnez "Classement MPAA" (↑/↓ puis ENTER).
- 5 Sélectionnez la valeur du classement désirée et effectuez le réglage (↑/↓ puis ENTER).



- La page de saisie du mot de passe s'affiche. Tapez le mot de passe à quatre chiffres en vous servant des touches 0 à 9.
- Chaque pression sur la touche **ENTER** provoque l'adoption d'une autre valeur.
- L'icône d'un cadenas s'affiche en regard de la valeur adoptée.
- À la sortie d'usine, aucune valeur n'est interdite.

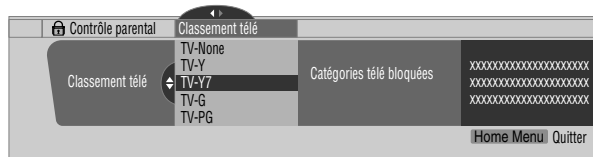
- 6 Appuyez sur HOME MENU pour quitter le menu.

Remarque

- L'interdiction d'une certaine valeur du classement, provoque celle de toutes les valeurs correspondant à des images encore moins appropriées. Pareillement, la libération d'une valeur du classement, provoque celle de toutes les valeurs correspondant à des images plus appropriées.

Utilisation du classement des émissions de télévision

- 1 Appuyez sur HOME MENU.
- 2 Sélectionnez "Inst. du tuner" (↑/↓ puis ENTER).
- 3 Sélectionnez "Contrôle parental" (←/→ puis ENTER).
- 4 Sélectionnez "Classement télé" (↑/↓ puis ENTER).
- 5 Sélectionnez la valeur du classement désirée et effectuez le réglage (↑/↓ puis ENTER).



- La page de saisie du mot de passe s'affiche. Tapez le mot de passe à quatre chiffres en vous servant des touches 0 à 9.
- Chaque pression sur la touche **ENTER** provoque l'adoption d'une autre valeur.
- L'icône d'un cadenas s'affiche en regard de la valeur adoptée.
- À la sortie d'usine, aucune valeur n'est interdite.

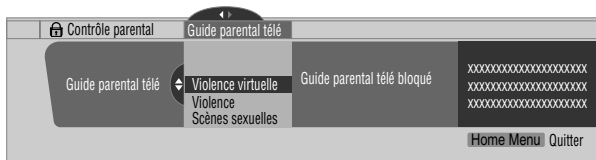
6 Appuyez sur HOME MENU pour quitter le menu.

Remarque

- L'interdiction d'une certaine valeur du classement, provoque celle de toutes les valeurs correspondant à des images encore moins appropriées. Pareillement, la libération d'une valeur du classement, provoque celle de toutes les valeurs correspondant à des images plus appropriées.

Utilisation du classement parental des émissions de télévision (Lignes directrices pour la télévision)

- 1 Appuyez sur HOME MENU.
- 2 Sélectionnez "Inst. du tuner" (↑/↓ puis ENTER).
- 3 Sélectionnez "Contrôle parental" (←/→ puis ENTER).
- 4 Sélectionnez "Guide parental télé" (↑/↓ puis ENTER).
- 5 Sélectionnez la valeur du classement désirée et effectuez le réglage (↑/↓ puis ENTER).



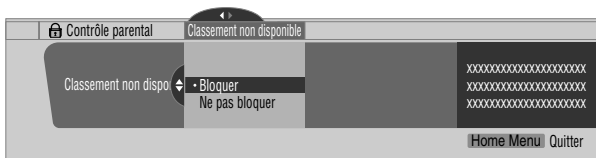
- La page de saisie du mot de passe s'affiche. Tapez le mot de passe à quatre chiffres en vous servant des touches **0** à **9**.
- Chaque pression sur la touche **ENTER** provoque l'adoption d'une autre valeur.
- L'icône d'un cadenas s'affiche en regard de la valeur adoptée.
- À la sortie d'usine, aucune valeur n'est interdite.

6 Appuyez sur HOME MENU pour quitter le menu.

Interdiction des émissions de télévision non classées

Utilisez la méthode suivante pour interdire les émissions de télévision pour lesquelles aucun classement n'est disponible.

- 1 Appuyez sur HOME MENU.
- 2 Sélectionnez "Inst. du tuner" (↑/↓ puis ENTER).
- 3 Sélectionnez "Contrôle parental" (←/→ puis ENTER).
- 4 Sélectionnez "Classement non disponible" (↑/↓ puis ENTER).
- 5 Sélectionnez "Bloquer" ou "Ne pas bloquer" (↑/↓ puis ENTER).



- La page de saisie du mot de passe s'affiche. Tapez le mot de passe à quatre chiffres en vous servant des touches **0** à **9**.
- La valeur par défaut est "Ne pas bloquer".

6 Appuyez sur HOME MENU pour quitter le menu.

Systèmes de classement en vigueur au Canada

Au Canada, vous avez le choix entre le classement pour les anglophones et le classement pour les francophones. Ces classements sont établis à partir de règles fixées par la Commission canadienne de radiotélévision et de télécommunication (CCRT).

Classement pour les Canadiens anglophones

Classement	Description
E	Exemption: Informations, sports, documentaires et autres informations générales; émissions à thèmes, clips vidéo et variétés.
C	Enfants: Vise les enfants de moins de huit ans. Une attention toute particulière est apportée aux scènes qui pourraient menacer leur sens de la sécurité ou du bien-être.
C8+	Enfants de plus de huit ans: La violence n'est jamais dépeinte comme un moyen préféré, acceptable ou unique de résoudre les conflits; les enfants ne sont pas encouragés à imiter les actions dangereuses qui se déroulent sur l'écran.
G	Général: L'émission est considérée comme acceptable pour toutes les tranches d'âge. Toute la famille peut assister; très peu de violence, qu'elle soit physique, verbale ou émotionnelle.
PG	Conseil des parents: En principe, l'émission convient à tous mais la question doit être tranchée par les parents car les très jeunes enfants (moins de huit ans) peuvent ne pas comprendre les thèmes et les questions abordées.
14+	Plus de 14 ans: La violence peut être l'élément dominant du scénario mais elle est partie intégrante de l'histoire ou d'un personnage. La langue peut être profane et des scènes de nudité peuvent être présentes dans le contexte de l'histoire.
18+	Adultes: Le public est composé de personnes ayant plus de 18 ans; les scènes de violence, si elles existent, sont en rapport avec le scénario, les personnages et les thèmes, et ne sont destinées qu'aux adultes. La langue graphique peut être employée et des scènes de nu ou de sexe peuvent être présentes.

Tranches d'âge

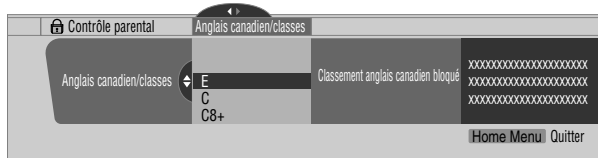
Classement pour les Canadiens francophones

Classement	Description
E	Émission exempte de classement.
G	Général: Tous les âges et tous les enfants; peu de violence qui fait toujours partie du scénario et est traitée de manière amusante ou irréaliste.
8ans+	Émission générale mais que l'on ne doit pas conseiller aux jeunes enfants: Elle peut être regardée par un large public mais elle peut contenir des scènes qui ne seront pas comprises par les enfants de moins de huit ans qui ont du mal à distinguer l'imaginaire du réel. La présence d'un parent est conseillée.
13ans+	Plus de 13 ans: De fréquentes scènes de violence justifient la présence d'un parent.
16ans+	Plus de 16 ans: De fréquentes scènes de violence, voire de violence intense.
18ans+	Plus de 18 ans: Public adulte uniquement. De fréquentes scènes de violence, voire d'extrême violence.

Tranches d'âge

Utilisation du classement pour les Canadiens anglophones

- 1 Appuyez sur HOME MENU.
- 2 Sélectionnez "Inst. du tuner" (↑/↓ puis ENTER).
- 3 Sélectionnez "Contrôle parental" (←/→ puis ENTER).
- 4 Sélectionnez "Anglais canadien/classes" (↑/↓ puis ENTER).
- 5 Sélectionnez la valeur du classement désirée et effectuez le réglage (↑/↓ puis ENTER).



- La page de saisie du mot de passe s'affiche. Tapez le mot de passe à quatre chiffres en vous servant des touches 0 à 9.
 - Chaque pression sur la touche ENTER provoque l'adoption d'une autre valeur.
 - L'icône d'un cadenas s'affiche en regard de la valeur adoptée.
 - À la sortie d'usine, aucune valeur n'est interdite.
- 6 Appuyez sur HOME MENU pour quitter le menu.

Remarque

- L'interdiction d'une certaine valeur du classement, provoque celle de toutes les valeurs correspondant à des images encore moins appropriées. Pareillement, la libération d'une valeur du classement, provoque celle de toutes les valeurs correspondant à des images plus appropriées.

Utilisation du classement pour les Canadiens francophones

- 1 Appuyez sur HOME MENU.
- 2 Sélectionnez "Inst. du tuner" (↑/↓ puis ENTER).
- 3 Sélectionnez "Contrôle parental" (←/→ puis ENTER).
- 4 Sélectionnez "Français canadien/classes" (↑/↓ puis ENTER).
- 5 Sélectionnez la valeur du classement désirée et effectuez le réglage (↑/↓ puis ENTER).



- La page de saisie du mot de passe s'affiche. Tapez le mot de passe à quatre chiffres en vous servant des touches 0 à 9.
 - Chaque pression sur la touche ENTER provoque l'adoption d'une autre valeur.
 - L'icône d'un cadenas s'affiche en regard de la valeur adoptée.
 - À la sortie d'usine, aucune valeur n'est interdite.
- 6 Appuyez sur HOME MENU pour quitter le menu.

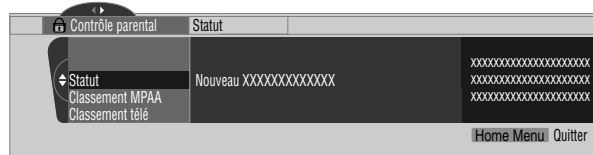
Remarque

- L'interdiction d'une certaine valeur du classement, provoque celle de toutes les valeurs correspondant à des images encore moins appropriées. Pareillement, la libération d'une valeur du classement, provoque celle de toutes les valeurs correspondant à des images plus appropriées.

Réglage de nouvelles valeurs

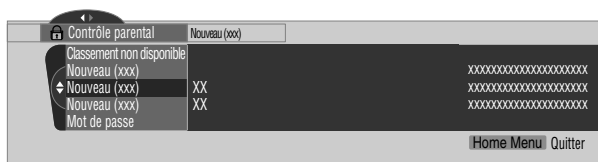
Les émissions numériques comportent maintenant des nouvelles valeurs qui ne sont pas compatibles avec les réglages de contrôle parental initiaux de l'écran plasma. Quand vous accordez pour la première fois sur une de ces émissions, un nouveau menu de contrôle parental apparaît sur l'écran. Il vous explique que vous devez changer maintenant vos réglages de contrôle parental pour prendre en charge les nouvelles valeurs. Sinon, les valeurs que vous avez bloquées auparavant peuvent être débloquées.

- 1 Appuyez sur HOME MENU.
- 2 Sélectionnez "Inst. du tuner" (↑/↓ puis ENTER).
- 3 Sélectionnez "Contrôle parental" (←/→ puis ENTER).



- Le nouveau menu est affiché quand Statut est sélectionné et le message "Les classements régionaux ont été changés. Sélectionnez de nouveau les classements de restriction parentale." apparaît sur la droite de l'écran.

- 4 Sélectionnez la valeur du classement désirée et effectuez le réglage (↑/↓ puis ENTER).



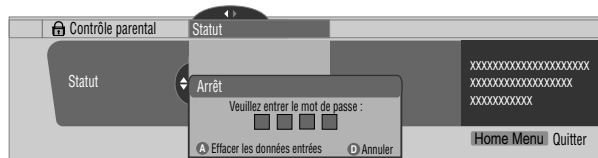
- Le menu est ajouté entre "Classement non disponible" et "Mot de passe".
- La page de saisie du mot de passe s'affiche. Tapez le mot de passe à quatre chiffres en vous servant des touches **0 à 9**.
- Chaque pression sur la touche **ENTER** provoque l'adoption d'une autre valeur.
- L'icône d'un cadenas s'affiche en regard de la valeur adoptée.
- Quand vous avez terminé, le mot "Nouveau" disparaît du menu de contrôle parental.

- 5 Appuyez sur HOME MENU pour quitter le menu.

Suppression des nouvelles valeurs

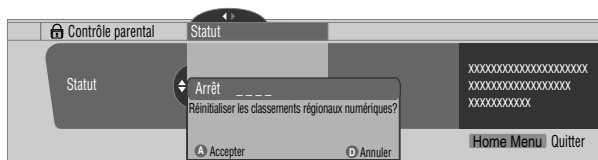
Vous pouvez supprimer un nouveau menu de contrôle parental. Lors de la suppression, les réglages passés que vous avez entrés sont aussi annulés et retirés du menu.

- 1 Appuyez sur HOME MENU.
- 2 Sélectionnez "Inst. du tuner" (↑/↓ puis ENTER).
- 3 Sélectionnez "Contrôle parental" (←/→ puis ENTER).
- 4 Sélectionnez "Statut" puis "Arrêt" (↑/↓ puis ENTER).



- La page de saisie du mot de passe s'affiche. Tapez le mot de passe à quatre chiffres en vous servant des touches **0 à 9**.

- 5 Sélectionnez A pour "Accepter" ou D pour "Annuler".



- Le nouveau menu de contrôle parental est conservé, cependant, si l'écran de sélection pour la suppression des nouvelles valeurs disparaît après environ 60 secondes après qu'aucun réglage n'a été entré.

- 6 Appuyez sur HOME MENU pour quitter le menu.

Remarque

- Pendant que le menu de contrôle parental est ouvert, l'affichage de l'état reste inchangé même si le système reçoit des émissions avec de nouvelles valeurs.
- L'interdiction d'une certaine valeur du classement, provoque celle de toutes les valeurs correspondant à des images encore moins appropriées. Pareillement, la libération d'une valeur du classement, provoque celle de toutes les valeurs correspondant à des images plus appropriées.

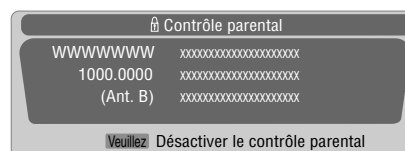
Mise hors service temporaire de la restriction parentale

Lorsque la restriction parentale est en service et détecte un programme à bloquer (télévisé ou enregistré sur support physique), l'écran plasma n'affiche qu'un message.

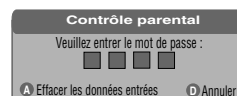
La méthode de mise hors service temporaire de la restriction parentale diffère selon la source d'entrée choisie.

Antenne A ou antenne B:

L'écran ci-dessous apparaît. Appuyez sur **ENTER**.



Entrez le mot de passe à quatre chiffres.



- La page de frappe de mot de passe ne demeure affichée qu'une minute. Après sa disparition, appuyez sur **ENTER** pour la faire réapparaître.

Entrée 1 à Entrée 3:

Entrez le mot de passe à quatre chiffres. Il est inutile d'appuyer tout d'abord sur la touche **ENTER**; en effet, une pression sur la touche **ENTER** provoque la disparition de la page de saisie du mot de passe.

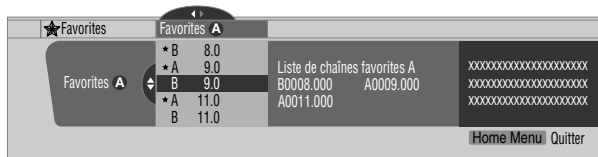


- La page ci-dessus de saisie de mot de passe, apparaît également en mode 2 images, image dans image et image fixe.
- La page de frappe de mot de passe ne demeure affichée qu'une minute. Après sa disparition, appuyez sur **ENTER** pour la faire réapparaître.
- Une page d'entrée de mot de passe est affichée si vous sélectionnez "Bloquer" dans "Classement non disponible" pour ENTRÉE 4 à ENTRÉE 7.

Sélection des chaînes favorites

Choisissez 10 chaînes de télévision pour chacune des quatre touches de couleur que porte le boîtier de télécommande (au total 40 chaînes). Il est alors plus facile de sélectionner une chaîne parmi les favorites.

- 1 Appuyez sur HOME MENU.
- 2 Sélectionnez "Inst. du tuner" (↑/↓ puis ENTER).
- 3 Sélectionnez "Favorites" (←/→ puis ENTER).
- 4 Sélectionnez une touche de couleur (A, B, C, D) (↑/↓ puis ENTER).
- 5 Sélectionnez la chaîne de télévision à mémoriser (↑/↓ puis ENTER).



- Une étoile s'affiche en regard des chaînes favorites actuellement sélectionnées.
- Pour mémoriser une autre chaîne de télévision à l'aide de la même touche de couleur, répétez l'opération 5. Pour mémoriser une autre chaîne de télévision à l'aide d'une autre touche de couleur, répétez les opérations 4 et 5.

- 6 Appuyez sur HOME MENU pour quitter le menu.

Utilisation des sous-titres codés

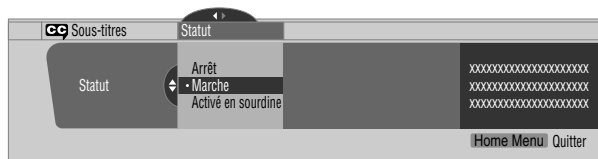
L'écran plasma est pourvu d'un décodeur de sous-titres codés. Le sous-titrage codé permet de représenter sur l'écran plasma les dialogues, les commentaires et les effets sonores qui font partie intégrante des émissions de télévision et des vidéos.

Vous pouvez profiter des sous-titres codés lorsque vous regardez des émissions de télévision numérique. Dans le cas de la télévision numérique, vous avez, en principe, une certaine liberté dans le choix de la police de caractères ou de la couleur.

- Toutes les émissions et toutes les vidéos n'offrent pas de sous-titrage codé. La présence du symbole "CC" vous indique l'existence de sous-titres codés.

Mise en service du sous-titrage codé

- 1 Appuyez sur HOME MENU.
- 2 Sélectionnez "Inst. du tuner" (↑/↓ puis ENTER).
- 3 Sélectionnez "Sous-titres" (←/→ puis ENTER).
- 4 Sélectionnez "Statut" (↑/↓ puis ENTER).
- 5 Sélectionnez "Marche" ou "Activé en sourdine" (↑/↓ puis ENTER).



Élément	Description
Arrêt (réglage par défaut)	Les sous-titres codés ne sont pas affichés.
Marche	Les sous-titres codés sont toujours affichés.
Activé en sourdine	Les sous-titres codés ne sont affichés que si le son est coupé.

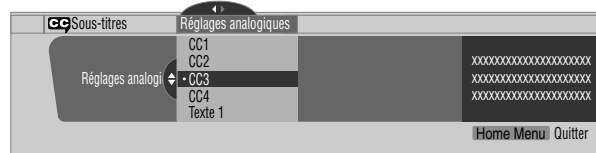
- 6 Appuyez sur HOME MENU pour quitter le menu.

Sélection du type de sous-titrage codé ordinaire

Sélectionnez le type de sous-titrage codé ordinaire qui sera affiché après accord sur une chaîne de télévision ordinaire. Cette sélection demeure valide pour une chaîne de télévision numérique sur laquelle n'existent que des sous-titres codés ordinaires.

- "CC 1", "CC 2", "CC 3" et "CC 4" proposent l'affichage d'un sous-titrage codé accompagnant les fictions et les bulletins d'informations tout en préservant l'image télévisée dans sa totalité.
- "Texte 1", "Texte 2", "Texte 3" et "Texte 4" incrustent des informations sur l'image (par ex., le guide de télévision, la météo), informations qui sont indépendantes de l'émission en cours.

- 1 Appuyez sur HOME MENU.
- 2 Sélectionnez "Inst. du tuner" (↑/↓ puis ENTER).
- 3 Sélectionnez "Sous-titres" (←/→ puis ENTER).
- 4 Sélectionnez "Réglages analogiques" (↑/↓ puis ENTER).
- 5 Sélectionnez le sous-titrage codé désiré (↑/↓ puis ENTER).



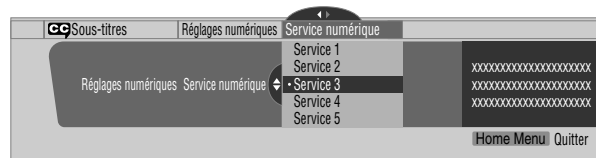
- La valeur par défaut est "CC 1".

- 6 Appuyez sur HOME MENU pour quitter le menu.

Sélection du sous-titrage codé numérique

Utilisez la procédure suivante pour sélectionner les sous-titres codés numériques: Service 1 à 6.

- 1 Appuyez sur HOME MENU.
- 2 Sélectionnez "Inst. du tuner" (↑/↓ puis ENTER).
- 3 Sélectionnez "Sous-titres" (←/→ puis ENTER).
- 4 Sélectionnez "Réglages numériques" (↑/↓ puis ENTER).
- 5 Sélectionnez "Service numérique" (↑/↓ puis ENTER).
- 6 Sélectionnez le sous-titrage codé désiré (↑/↓ puis ENTER).



- La valeur par défaut est "Service 1".

- 7 Appuyez sur HOME MENU pour quitter le menu.

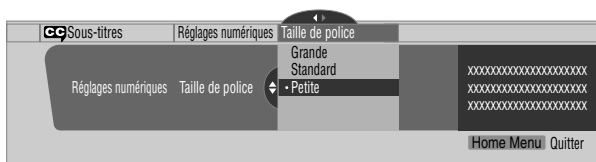
Remarque

- Si les deux services sont disponibles, le service de sous-titrage primaire est habituellement offert au titre de Service 1, et le service de sous-titrage pour la langue secondaire est habituellement offert au titre de Service 2.

Sélection des paramètres du sous-titrage codé numérique

Procédez de la manière suivante pour modifier les valeurs des paramètres des sous-titres codés d'émissions de télévision numérique, par exemple, la taille et la nature de la police de caractères et les couleurs de fond et de premier plan.

- 1 Appuyez sur HOME MENU.
- 2 Sélectionnez "Inst. du tuner" (↑/↓ puis ENTER).
- 3 Sélectionnez "Sous-titres" (←/→ puis ENTER).
- 4 Sélectionnez "Réglages numériques" (↑/↓ puis ENTER).
- 5 Sélectionnez "Taille de police", "Police" ou tout autre élément (↑/↓ puis ENTER).
- 6 Sélectionnez le paramètre désiré (↑/↓ puis ENTER).



- 7 Le cas échéant, répétez les opérations 5 et 6 (←, ↑/↓).
- 8 Appuyez sur HOME MENU pour quitter le menu.

Le tableau qui suit indique les paramètres disponibles pour chaque élément.

Élément	Valeurs possibles
Taille de police	Auto/Grande/Standard/Petite
Police ¹	Auto/Police 1/Police 2/Police 3/Police 4/Police 5/Police 6/Police 7
Couleur de police	Auto/Noire/Blanche/Rouge/Verte/Bleue/Jaune/Magenta/Cyan
Opacité de police	Auto/Opaque/Transparente/Translucide/Clignotante
Couleur de fond	Auto/Noire/Blanche/Rouge/Verte/Bleue/Jaune/Magenta/Cyan
Opacité du fond	Auto/Opaque/Transparente/Translucide

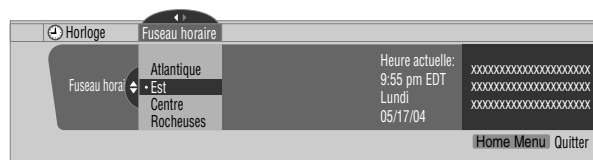
¹ Police 1 (espacement constant et empattement), Police 2 (espacement proportionnel et empattement), Police 3 (espacement constant sans empattement), Police 4 (espacement proportionnel sans empattement), Police 5 (police informelle), Police 6 (police cursive), Police 7 (police de petites capitales)

Si vous sélectionnez "Auto", les paramètres adoptés par la station sont utilisés; si la station n'a rien précisé, les paramètres qui figurent en caractères gras sur ce document sont utilisés. Si vous sélectionnez des paramètres autres qu'"Auto", ils sont utilisés quelles que soient les spécifications de la station.

Réglage de l'horloge

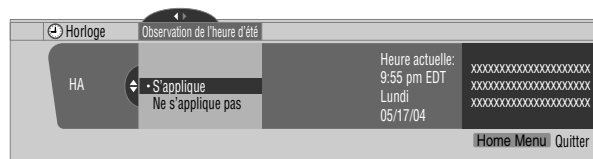
Lorsque "Réglage auto." a été sélectionné pour le réglage de l'horloge, le système se règle lui-même sur les informations horaires diffusées. Vous pouvez également régler l'heure manuellement. Si vous débranchez la fiche du cordon d'alimentation au niveau de la prise secteur, ou encore si survient une coupure de secteur, le réglage de l'horloge doit être repris.

- 1 Appuyez sur HOME MENU.
- 2 Sélectionnez "Inst. du tuner" (↑/↓ puis ENTER).
- 3 Sélectionnez "Horloge" (←/→ puis ENTER).
- 4 Sélectionnez "Fuseau horaire" (↑/↓ puis ENTER).
- 5 Sélectionnez le fuseau horaire convenant à votre région (↑/↓ puis ENTER).

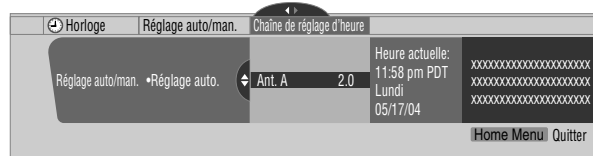


- 6 Sélectionnez "HA" (←, ↑/↓ puis ENTER).
- 7 Sélectionnez "S'applique" ou "Ne s'applique pas" (↑/↓ puis ENTER).

- Quand vous démarrez le mode "Observation de l'heure d'été", sélectionnez "S'applique" pour "HA" et sélectionnez "Ne s'applique pas" quand vous voulez l'annuler, sinon l'heure correcte ne sera pas affichée, quel que soit le réglage fait pour "Réglage auto/man."

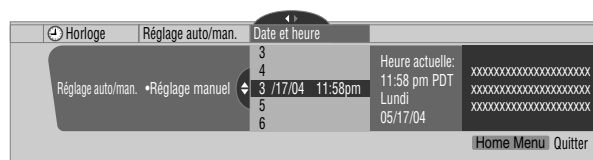


- 8 Sélectionnez "Réglage auto/man." (←, ↑/↓ puis ENTER).
- 9 Sélectionnez "Réglage auto." ou "Réglage manuel" (↑/↓ puis ENTER).
- 10 Si vous sélectionnez "Réglage auto.", vous devez choisir une antenne (A ou B) et un numéro de chaîne au moyen des touches ↑/↓ puis appuyer sur ENTER.



- La date et l'heure sont automatiquement réglées en fonction des données transmises sur la chaîne choisie.

Si vous sélectionnez "Réglage manuel", vous devez indiquer la date et l'heure au moyen des touches ↑/↓, ←/→ puis appuyer sur ENTER.



- 11 Appuyez sur HOME MENU pour quitter le menu.

Remarque

- Si vous configurez le système TV Guide On Screen™, l'écran plasma effectue le réglage de l'horloge par celui-ci et vous ne pouvez alors pas faire ce réglage en utilisant le menu. Si vous sélectionnez un paramètre pour le menu Horloge puis appuyez sur ENTER, l'écran de menu disparaît et une boîte de dialogue apparaît à la place; appuyez sur A pour faire disparaître la boîte de dialogue.

Chapitre 10

Utilisation du système TV Guide On Screen™

Utilisation du système TV Guide On Screen™

Avant de pouvoir utiliser le système TV Guide On Screen™, il vous faut le configurer. Si ce n'est pas déjà fait, veuillez passer à *Configuration du système TV Guide On Screen™* à la page 39 avant de continuer.

Avis légal

Aux États-unis, TV Guide et d'autres marques relatives sont des marques déposées de Gemstar-TV Guide International, Inc. et/ou d'une de ses sociétés affiliées. Au Canada, TV Guide est une marque déposée de Transcontinental Inc., utilisée sous licence de Gemstar-TV Guide International, Inc.

Remarque

- Le guide interactif de programmation TV Guide On Screen™ donne des pages d'informations sur les émissions diffusées sur le câble, en analogique ou numérique, ainsi que par voie hertzienne. Il n'est pas prévu pour la diffusion par satellite.
- Une fois que vous avez configuré le système TV Guide On Screen™, le début de la réception des pages d'informations sur les émissions peut se faire dans un délai allant jusqu'à 24 heures. La réception des huit jours des pages d'informations peut prendre jusqu'à une semaine.
- Le système TV Guide peut ne pas être disponible dans certaines régions. Quand les fournisseurs de contenu passeront à la programmation et à la diffusion numériques, les données de TV Guide peuvent devenir indisponibles.

Éléments d'écran

De nombreux écrans du système possèdent des éléments communs destinés à faciliter son utilisation.



- Logo TV GUIDE**
- Horloge** – Indique l'heure actuelle.
- Tranche horaire** – Des tranches de demi-heure sont affichées horizontalement.
- Onglet horaire** – Indique la tranche horaire actuellement sélectionnée.
- Étiquette de service actuel** – Indique le service actuellement sélectionné.
- Barre de services** – Permet d'accéder aux divers services du guide.
- Carreau de titre** – Indique le titre de l'émission de télévision.

- Barre d'information** – Indique divers icônes pour transmettre des informations ou montrer le statut d'un élément.
- Fenêtre vidéo** – Vous permet de continuer de regarder l'émission en cours tout en utilisant le guide ou de visualiser l'émission sélectionnée dans les listes.
- Zone de publicités et zone de menu** – Espace réservé à la publicité sur les émissions ou produits (et espace des menus).
- Logo & numéro de chaîne** – Identifie le réseau et le numéro de chaîne.
- Fenêtre d'information** – Indique les informations relatives à l'élément mis en surbrillance.
- Résumé** – Indique un fichier actif, à partir duquel vous pouvez régler un rappel, afficher un menu, etc.

Icônes du système TV Guide On Screen™

Diverses icônes sont utilisées pour transmettre des informations ou montrer le statut d'un élément. Vous verrez ces icônes sur la barre d'information, à l'intérieur de la fenêtre d'information ou à côté des titres d'émission.

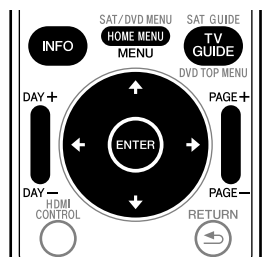
- Icône info** – Des informations supplémentaires sont disponibles; appuyez sur la touche **INFO** pour les afficher.
- Barre de progression** – Indique le temps écoulé de l'émission en cours.
- HDTV** – Indique qu'une émission est en haute définition.
- New** – Il s'agit d'une nouvelle émission (et non pas une rediffusion).
- Stereo** – L'émission est en stéréophonie.
- CC** – L'émission est diffusée avec un sous-titrage codé.
- TV 14** – Indique la tranche d'âges à laquelle l'émission est adressée.
- Remind Once** – Un rappel unique a été associé à l'émission.
- Remind Daily** – Rappel pour la même chaîne et à la même heure du lundi au vendredi (rappel manuel seulement).
- Remind Regularly** – Rappel de la même émission sur la même chaîne et à la même heure chaque fois qu'elle est diffusée.
- Remind Weekly** – Rappel d'une émission chaque semaine à la même heure et le même jour.
- Remind Off** – L'émission reste dans la liste SCHEDULE mais n'est pas rappelée tant que la fréquence de ce rappel n'est pas spécifiée.

Navigations au sein du système TV Guide On Screen™

Le tableau qui suit présente les touches du boîtier de télécommande que vous pouvez utiliser pour naviguer au sein du système TV Guide On Screen™.

Touche	Rôle
TV GUIDE	Appuyez sur cette touche pour accéder au système TV Guide On Screen™ (ou pour le quitter).
↑/↓/←/→	Utilisez ces touches pour naviguer au sein des écrans (pour mettre un élément en surbrillance).
ENTER	Appuyez sur cette touche pour confirmer une sélection ou pour exécuter une action. Cette touche permet aussi d'afficher le menu quand une émission à venir est mise en surbrillance.
MENU	Appuyez sur cette touche pour afficher un menu.
INFO	Appuyez sur cette touche pour accéder aux diverses informations relatives à l'émission et à l'écran actuels.
Touches numériques	Utilisez ces touches pour entrer des valeurs numériques.
PAGE +/-	Utilisez ces touches pour sélectionner la page d'informations précédente/suivante (le cas échéant).
DAY +/-	Utilisez ces touches pour passer au jour précédent/suivant des pages d'informations sur les émissions (le cas échéant).

Vous pouvez aussi utiliser les touches **TV GUIDE**, **ENTER**, **UP/DOWN** et **LEFT/RIGHT** de l'écran plasma. Les touches **UP/DOWN** et **LEFT/RIGHT** ont le même effet que les touches **↑/↓** et **←/→** du boîtier de télécommande.



Écran Listings

Vous pouvez considérer que l'écran Listings est l'écran "d'accueil" du système TV Guide On Screen™. Cet écran apparaît quand vous appuyez sur **TV GUIDE**.

À partir de l'écran Listings, vous pouvez:

- Consulter les pages d'informations sur les émissions de huit jours.
- Afficher des informations sur chaque émission.
- Sélectionner une émission que vous voulez regarder.
- Spécifier une émission à rappeler.
- Afficher, dans la fenêtre vidéo, une miniature d'une émission de toute chaîne.
- Accéder aux publicités de chaîne et sur les émissions.

1 Appuyez sur TV GUIDE pour afficher l'écran Listings.



- Avec "LISTINGS" mis en surbrillance dans la barre de services en haut de l'écran, appuyez sur **INFO** pour afficher (puis fermer) l'information Help.
- Pour quitter, appuyez sur **TV GUIDE** à tout moment.

2 Utilisez ↑/↓/←/→ pour naviguer au sein de l'écran Listings.

- Une émission en cours de diffusion étant mise en surbrillance, appuyez sur **ENTER** pour la regarder.
- Pour les tranches horaires à venir, déplacez le curseur vers la droite.
- Appuyez sur **PAGE+/-** pour faire défiler l'écran verticalement.
- Appuyez sur **INFO** pour afficher des informations supplémentaires (le cas échéant) sur l'émission actuellement sélectionnée.
- Appuyez sur **DAY+/-** pour passer au jour précédent/suivant de la grille des programmes.

Réglage des rappels d'émission

Une fois que vous avez spécifié le rappel d'une émission d'une autre chaîne, le téléviseur peut vous prévenir quand cette émission est au point de commencer. Vous pouvez spécifier des rappels pour les divers épisodes d'une émission, ou pour chaque diffusion d'une émission.

1 À partir de LISTINGS, SCHEDULE ou SEARCH, mettez en surbrillance l'émission pour laquelle vous voulez spécifier un rappel.



2 Appuyez sur MENU pour afficher le menu Episode Options.



3 Mettez set "set reminder" en surbrillance et appuyez sur ENTER.

4 Spécifiez les options de rappel:

Utilisez **↑/↓** pour mettre un champ en surbrillance; utilisez **←/→** pour changer le réglage.

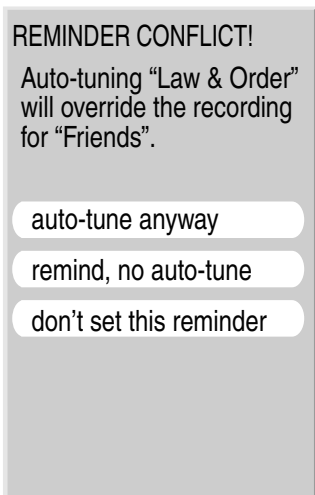
- **frequency** – spécifiez la fréquence du rappel, à savoir **Once, Regularly** (à la même heure sur la même chaîne) ou **Weekly** (chaque semaine le même jour et à la même heure). L'option **Off** met l'émission dans le programme de rappel mais ne commande pas le rappel (ce que vous pouvez faire plus tard).
- **auto tune** – spécifiez si le téléviseur doit ou ne doit pas changer automatiquement de chaîne quand le moment d'un rappel est atteint.
- **when** – spécifiez à quel moment le rappel doit être affiché (avant, au commencement, ou après le commencement de l'émission).

5 Une fois que tous les réglages sont faits, appuyez sur ENTER pour mettre "schedule reminder" en surbrillance, puis appuyez de nouveau sur ENTER.



- Le rappel est maintenant programmé (et apparaît dans SCHEDULE) et l'icône correspondante apparaît sur le carreau d'émission.

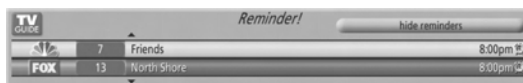
S'il y a un conflit d'heures avec un enregistrement ou avec un rappel d'accord automatique précédemment programmé, cela vous est signalé. Vous pouvez choisir de spécifier un rappel pour l'émission en conflit, ou d'annuler le rappel. Les écrans ci-dessous apparaissent s'il y a un conflit avec un rappel programmé.



Quand le moment d'un rappel programmé est atteint (l'accord automatique n'est pas en service)

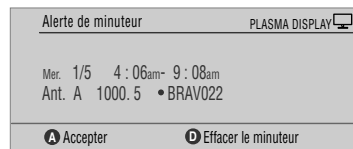
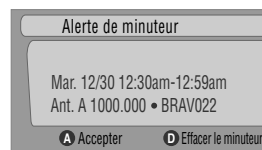
Suivant les réglages que vous avez faits, votre rappel d'émission apparaîtra sur l'écran du téléviseur avant, au commencement, ou après le commencement de l'émission. Ceci se produit quand vous avez sélectionné "NO" pour l'accord automatique. Le rappel reste sur l'écran pendant trois minutes puis disparaît automatiquement.

Appuyez sur **ENTER** pour accorder sur l'émission mise en surbrillance dans le rappel; ou mettez "hide reminders" en surbrillance pour ignorer le rappel.



Si plusieurs rappels sont spécifiés pour la même heure, sélectionnez l'émission souhaitée avec **↑/↓**.

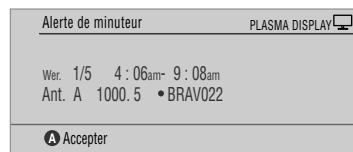
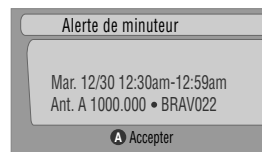
Suivant la situation, les écrans ci-dessous apparaissent. Dans ce cas, le rappel reste sur l'écran pendant 15 secondes puis disparaît automatiquement.



Appuyez sur **A** pour laisser le rappel en service, ou sur **D** pour l'ignorer.

Quand le moment d'un rappel programmé est atteint (l'accord automatique est en service)

Si vous avez réglé "auto-tune" sur "yes" dans les options de rappel, un des écrans ci-dessous apparaît, suivant la situation. Cet écran reste pendant 15 secondes puis disparaît automatiquement.



Appuyez sur **A** pour faire disparaître l'écran Alerte de minuteur.

Recherche d'émissions

L'écran Search vous permet de rechercher des émissions par ordre alphabétique, par catégorie ou par mot-clé. Vous pouvez aussi rechercher des émissions HDTV.

Recherche par catégorie

Vous pouvez rechercher une émission en indiquant la catégorie à laquelle elle appartient, puis éventuellement la sous-catégorie.

- 1 Sélectionnez "SEARCH" dans la barre de services en haut de l'écran.
- 2 Appuyez sur ↓ pour accéder à la barre des catégories, puis utilisez ←/→ pour sélectionner une catégorie.



- Les catégories disponibles peuvent inclure:

- Films
- Sports
- Émissions pour enfants
- Émissions éducatives
- Informations
- Variétés
- Séries
- HDTV

- 3 Appuyez sur ↓ pour accéder aux sous-catégories et sélectionner celle qui convient.



- Les sous-catégories disponibles dépendent de la catégorie choisie précédemment.

- 4 Appuyez sur ENTER pour afficher une liste des émissions à venir qui correspondent aux catégories choisies.



- 5 Mettez une émission en surbrillance et appuyez sur MENU pour afficher le menu Episode Options.



- Si l'émission est actuellement diffusée, vous pouvez appuyer sur ENTER pour la regarder sans tarder.

Recherche par mot-clé

Dans ce cas, vous tapez le mot qui va servir pour la recherche. Les mots-clés que vous tapez sont mémorisés de manière que vous puissiez les réutiliser par la suite.

- 1 Sélectionnez "SEARCH" dans la barre de services en haut de l'écran.
- 2 Appuyez sur ↓ pour accéder à la barre des catégories, puis utilisez ←/→ pour sélectionner "KEYWORD".



- Si vous avez déjà entré des mots-clés, ils sont affichés. Vous pouvez alors sélectionner celui qui va servir pour la recherche.
- Pour modifier ou supprimer un des mots-clés affichés, mettez-le en surbrillance puis appuyez sur MENU. Sur le menu, vous pouvez choisir "edit search" ou "delete search".

- 3 Appuyez sur ENTER pour afficher le menu Keyword Search.



- 4 Sélectionnez "new search".
- 5 Pour changer de catégorie, déplacez le curseur vers le haut jusqu'à la catégorie souhaitée.
 - Pour effectuer la recherche en n'utilisant que le mot-clé, conservez "All" comme catégorie.
 - Si vous sélectionnez une catégorie ("HDTV", par exemple), seules les émissions qui appartiennent à cette catégorie et qui correspondent aussi au mot-clé seront indiquées.
- 6 Mettez "enter keyword" en surbrillance et appuyez sur ENTER.

- 7 Entrez le mot-clé qui va servir pour la recherche.



- Mettez les caractères en surbrillance à l'aide des touches ↑/↓/←/→, puis appuyez sur ENTER pour les rentrer.
- Le mot-clé entré est mémorisé de manière que vous puissiez le réutiliser par la suite.

- 8 Sélectionnez "DONE" pour démarrer la recherche.
- 9 Mettez une émission en surbrillance et appuyez sur MENU pour afficher le menu Episode Options.



- Si l'émission est actuellement diffusée, vous pouvez appuyer sur ENTER pour la regarder sans tarder.

Recherche alphabétique

Cette recherche est conçue pour afficher toutes les émissions dont le nom commence par une lettre donnée.

- 1 Sélectionnez "SEARCH" dans la barre de services en haut de l'écran.
- 2 Appuyez sur ↓ pour accéder à la barre des catégories, puis utilisez ←/→ pour sélectionner "ALPHABETICAL".



- 3 Appuyez sur **ENTER**.
- 4 Sélectionnez une lettre, puis appuyez sur **ENTER** pour afficher toutes les émissions dont le nom commence par cette lettre.
- 5 Mettez une émission en surbrillance et appuyez sur **MENU** pour afficher le menu Episode Options.



- Si l'émission est actuellement diffusée, vous pouvez appuyer sur **ENTER** pour la regarder sans tarder.

Menu de recherche Episode Options

Le menu Episode Options permet les sélections suivantes:

- **go to Service Bar** – ferme le menu et retourne à la barre de services en haut de l'écran.
- **tune to channel / watch now** – quitte le système TV Guide On Screen™ et accorde sur la chaîne.
- **set reminder** – passe au menu Remind Options.
- **cancel** – ferme le menu et retourne à l'émission en surbrillance.

Conseils pour la navigation et la recherche

- Les touches **↑/↓** permettent de déplacer la mise en surbrillance au sein des options d'un menu. Utilisez les touches numériques pour entrer des valeurs.
- Si un champ en surbrillance présente une flèche sur un côté ou l'autre, utilisez **←/→** pour obtenir un déplacement au sein des options correspondantes.
- Après avoir choisi une option appuyez sur **ENTER** pour mettre en surbrillance la commande par défaut (p. ex., **Done**), puis appuyez de nouveau sur **ENTER** pour exécuter la commande et fermer le menu.
- Sélectionnez **Cancel** et appuyez sur **ENTER** pour fermer le menu et retourner à l'écran précédent, ou appuyez sur **MENU** pour abandonner les modifications et fermer le menu.

Programmation de rappels

À partir de la zone Schedule, vous pouvez contrôler, modifier ou supprimer des rappels.

- 1 Sélectionnez **"SCHEDULE"** dans la barre de services en haut de l'écran.



Une liste d'émissions pour lesquelles des rappels sont programmés apparaît. Les icônes situées sur la droite indiquent l'état.

- **Once** – Rappel une seule fois
- **Daily** – Rappel pour la même chaîne et à la même heure du lundi au vendredi (rappel manuel seulement)
- **Regularly** – Rappel de la même émission sur la même chaîne et à la même heure¹ chaque fois qu'elle est diffusée.
- **Weekly** – (chaque semaine à la même heure et le même jour)
- **Off** – L'émission reste dans la liste SCHEDULE mais n'est pas rappelée tant que la fréquence du rappel n'est pas spécifiée.

¹ Si l'émission commence avec retard à tout moment jusqu'au point milieu de la plage horaire initialement prévue, le rappel apparaîtra quand même. Par exemple, jusqu'à 9:15 pour une émission de 9:00 à 9:30.

- 2 Mettez une émission en surbrillance dans la liste et appuyez sur **MENU** pour afficher le menu Schedule Options.



- Quand vous mettez une émission en surbrillance dans la liste, les informations relatives à cette émission apparaissent dans la fenêtre d'information.

Utilisation de la liste To Do de rappel

L'écran To Do indique les rappels programmés avec une icône qui identifie le type de rappel. À partir de l'écran To Do, vous pouvez contrôler, modifier ou supprimer des rappels. Vous pouvez classer les rappels programmés par date, titre ou type. Vous pouvez également programmer un rappel manuel.

Menu Schedule Options

Le menu Schedule Options est accessible en appuyant sur **MENU** quand "SCHEDULE" est en surbrillance dans la barre de services ou quand une émission est en surbrillance.

Quand "SCHEDULE" est en surbrillance dans la barre de services:

- **go to Service Bar** – ferme le menu et retourne à la barre de services en haut de l'écran.
- **sort by** – sélectionnez un ordre de tri pour les listes d'émissions.
- **new manual reminder** – sélectionnez et remplissez tous les champs nécessaires pour spécifier le rappel. Quand vous avez terminé, sélectionnez "schedule reminder" pour mémoriser les réglages et quitter le menu, ou sélectionnez "cancel" pour quitter le menu sans rien mémoriser.
- **done** – ferme le menu et retourne à la barre de services en haut de l'écran.
- **cancel** – ferme le menu sans mémoriser les modifications et retourne à la barre de services en haut de l'écran.

Quand une émission est en surbrillance:

- **go to Service Bar** – ferme le menu et retourne à la barre de services en haut de l'écran.
- **watch now** – commencez à regarder l'émission sélectionnée (cette option est "tune to channel" pour une émission qui n'est pas actuellement sélectionnée).
- **cancel** – ferme le menu et retourne à l'émission en surbrillance.

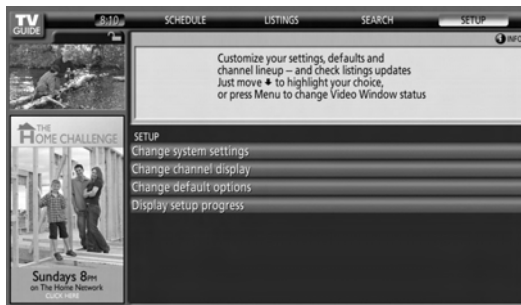
Pour un rappel:

- **delete reminder** – éliminez le rappel du programme (nécessite une confirmation).
- **edit reminder** – modifiez les réglages de rappel (ouvre le menu Remind Options).

Changement des options de configuration

Vous pouvez changer les réglages du système TV Guide On Screen™ à partir du menu Setup. Les options de configuration sont divisées en quatre catégories: system settings (réglages du système), channel display (affichage de chaîne) default options (options par défaut) et display setup progress (affichage de progression configuration).

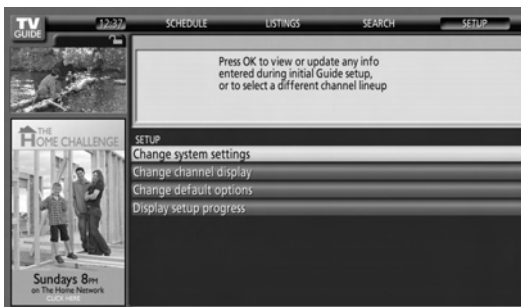
- 1 **Sélectionnez "SETUP" dans la barre de services en haut de l'écran.**



Changement des réglages du système

Les réglages du système comprennent votre code ZIP/Postal et la configuration de votre matériel de télévision par câble.

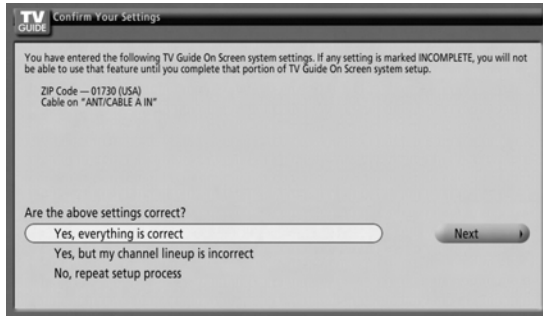
- 1 **Mettez l'élément "Change system settings" en surbrillance.**



Quand vous mettez une option en surbrillance, les réglages que vous pouvez faire dans cette zone apparaissent.

- **System settings** – Code ZIP/Postal, configuration du câble, etc.
- **Channel display** – Position des chaînes, accord sur les chaînes, mise en/hors service de l'affichage, etc.
- **Default options** – Valeurs par défaut générales et pour les rappels.
- **Display setup progress** – Statut des diverses fonctions de configuration du guide

2 Appuyez sur ENTER pour afficher les réglages actuels et les options permettant de les changer.



3 Sélectionnez une des options, puis suivez les instructions qui apparaissent sur l'écran.

- Yes, everything is correct: affiche un écran d'informations très pratique. Appuyez sur ENTER pour quitter le système TV Guide On Screen™.
- Yes, but my channel lineup is incorrect: affiche un écran à partir duquel vous pouvez choisir la série de chaînes correcte. Appuyez sur ENTER pour afficher l'écran Channel Editor.
- No, repeat setup process: affiche l'écran 1 montré page 40.

Changement des réglages d'affichage de chaîne

À partir des réglages d'affichage de chaîne, vous pouvez spécifier/changer:

- le réglage d'affichage pour toujours afficher (On), ne jamais afficher (Off) ou afficher seulement quand une information de chaîne est disponible (Auto Hide)
- le numéro de la chaîne reçue
- la position d'une chaîne dans la liste

1 Mettez l'élément "Change channel display" en surbrillance.



2 Appuyez sur ENTER pour afficher l'éditeur d'informations de chaîne.



3 Appuyez sur ↑/↓ pour mettre une chaîne en surbrillance puis appuyez sur ENTER pour passer au menu Grid Options.



À partir du menu Grid Options, vous pouvez spécifier:

- **channel** – On (affichage dans la liste des chaînes), Off (pas d'affichage) ou Auto Hide (cacher quand aucune information d'émission n'est disponible)
 - **tune channel** – numéro de la chaîne actuellement captée
 - **position** – place de la chaîne dans la liste des chaînes
 - **Re-sort numerically** pour mettre les chaînes dans l'ordre numérique dans le service Listings (et Channel Editor)
 - **Undo all changes** pour remettre toutes les options de Channel Editor (et d'affichage Listings) à leurs réglages initiaux (par défaut)
- 4 Une fois que vous avez fait tous les réglages souhaités pour la chaîne, mettez "done" en surbrillance puis appuyez sur ENTER.
- Pour annuler sans mémoriser les changements que vous avez faits, sélectionnez "cancel".

Changement des options par défaut

Il s'agit de l'endroit permettant de changer les réglages par défaut pour les rappels et les conditions générales.

1 Sélectionnez l'élément "Change default options".



2 Sélectionnez une des deux catégories d'options par défaut.

Un menu différent apparaît pour chaque option:

Options générales par défaut

- **Taille de la fenêtre d'information lors de l'entrée dans le guide**
 - Small
 - Large
 - No
 - Last used (réglage par défaut)
- **Position de la fenêtre d'information**
 - Float
 - Top (réglage par défaut)
- **Satut de la fenêtre vidéo**
 - Locked (réglage par défaut)
 - Unlocked
- **ID chaîne dans les listes**
 - Logo
 - Number
 - Both (réglage par défaut)
- **Guide automatique (apparition automatique du guide lors de la mise en service de l'appareil)**
 - On
 - Off (réglage par défaut)

Options de rappel par défaut

- **auto tune** – accord automatique sur la chaîne correcte quand le moment d'un rappel est atteint (Yes ou No)
- **when** – quand afficher le rappel (15 minutes avant ou après, ou en même temps (On time))

3 Une fois que vous avez fait tous les réglages souhaités, mettez "done" en surbrillance puis appuyez sur ENTER.

- Pour annuler sans mémoriser les changements que vous avez faits, sélectionnez "cancel".

Affichage de progression configuration

L'affichage de progression configuration vous permet de vérifier le statut des diverses fonctions de configuration du guide. Cet écran apparaît aussi quand vous passez au guide avant de recevoir la liste complète des chaînes.



Chapitre 11

Réglages et mises au point

Sélection AV

Vous avez le choix entre six options de visionnement, en fonction de l'environnement actuel (ex. luminosité de la pièce), le type d'émission regardée ou celui des images reçues de l'appareil externe.

1 Appuyez sur AV SELECTION.

- L'option AV actuellement adoptée s'affiche.

2 Appuyez une nouvelle fois sur AV SELECTION, avant que l'indication affichée ne disparaisse.

- Dans le cas d'une source audiovisuelle, les modes possibles sont, dans l'ordre; OPTIMUM, STANDARD, DYNAMIQUE, CINÉMA, JEU et UTILISATEUR.
- Dans le cas d'un ordinateur personnel, les modes possibles sont STANDARD et UTILISATEUR.

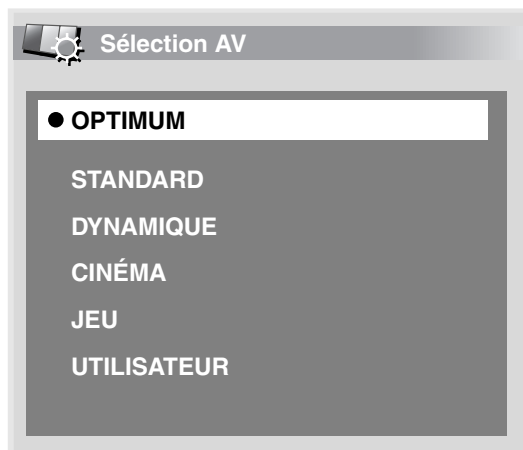
Vous pouvez également utiliser le menu pour sélectionner les options.

1 Appuyez sur HOME MENU.

2 Sélectionnez "Image" (↑/↓ puis ENTER).

3 Sélectionnez "Sélection AV" (↑/↓ puis ENTER).

4 Sélectionnez l'option désirée (↑/↓ puis ENTER).



Pour source AV

Élément	Description
OPTIMUM	Règle automatiquement la luminosité de l'image au niveau optimum en fonction de la luminosité ambiante. Ce paramètre est commun aux sources d'entrée externe et d'entrée de télévision.
STANDARD	Pour obtenir une image très bien définie dans une pièce de luminosité normale. Ce paramètre est commun aux sources d'entrée externe et d'entrée de télévision.
DYNAMIQUE	Pour obtenir une image très nette présentant un contraste maximum. Ce mode ne permet pas le réglage manuel de la qualité de l'image. Ce paramètre est commun aux sources d'entrée externe et d'entrée de télévision.
CINÉMA	Pour les films. Ce paramètre est commun aux sources d'entrée externe et d'entrée de télévision.
JEU	La luminosité de l'image est diminuée afin qu'elle soit plus agréable à regarder. Ce paramètre est commun aux sources d'entrée externe et d'entrée de télévision.
UTILISATEUR	Ce paramètre vous donne le moyen de personnaliser les réglages. Vous pouvez définir le mode pour chaque source.

Pour source PC

Élément	Description
STANDARD	Pour obtenir une image très bien définie dans une pièce de luminosité normale
UTILISATEUR	Ce paramètre vous donne le moyen de personnaliser les réglages. Vous pouvez définir le mode pour chaque source.

5 Appuyez sur HOME MENU pour quitter le menu.

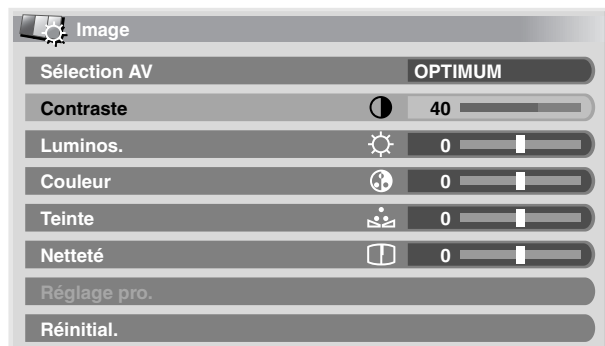
Remarque

- Vous pouvez aussi appuyer sur **AV SELECTION** du boîtier de télécommande pour sélectionner l'option d'affichage.
- Si vous avez sélectionné "DYNAMIQUE", vous ne pouvez pas sélectionner "Contraste", "Luminos.", "Couleur", "Teinte", "Netteté", "Réglage pro." et "Réinitial."; ces éléments de menu sont invalidés.
- Si vous avez sélectionné "OPTIMUM", vous ne pouvez pas sélectionner "Réglage pro."; les éléments de menu se trouvant dans "Réglage pro." sont invalidés.
- Pour éviter que l'écran soit endommagé, vous pouvez changer librement le mode de sélection AV lors de l'utilisation de la fonction Home Gallery. Cependant, quand vous retournez à l'écran Home Gallery après l'avoir quitté, "STANDARD" est sélectionné automatiquement pour la source AV.
- Lors de l'utilisation de la fonction Home Gallery, vous pouvez changer librement le mode de sélection AV, mais vous ne pouvez pas sélectionner "UTILISATEUR".
- Comme la fonction OPTIMUM optimise automatiquement la qualité de l'image, le processus dans lequel les réglages d'image tels que la luminosité et la teinte changent progressivement peut être visible à l'écran. Il ne s'agit pas d'un mauvais fonctionnement.
- Quand "OPTIMUM" est sélectionné, les images sont aussi reproduites sur la base de l'information recueillie par le capteur de luminosité ambiante, quel que soit son réglage ("Marche" ou "Arrêt") dans le menu "Options".

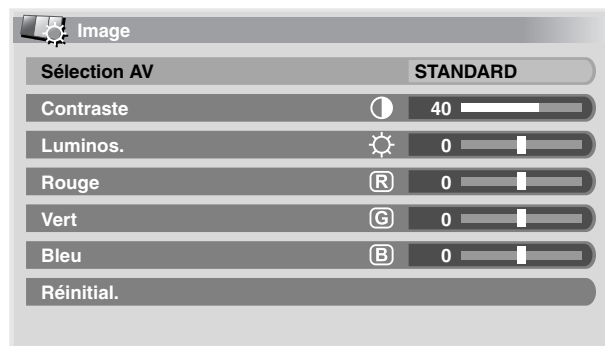
Réglages de base de l'image

Réglez l'image selon vos préférences et en fonction de l'option Sélection AV (sauf DYNAMIQUE) retenue.

- 1 Appuyez sur HOME MENU.
- 2 Sélectionnez "Image" (↑/↓ puis ENTER).
- 3 Sélectionnez un élément à régler (↑/↓ puis ENTER).



Dans le cas où la source est un ordinateur personnel, la page suivante s'affiche:



- 4 Sélectionnez la valeur désirée (←/→).



- Lorsque la page de réglage est affichée, vous pouvez également accéder au paramètre que vous désirez modifier en utilisant les touches ↑/↓.

- 5 Appuyez sur HOME MENU pour quitter le menu.

Pour source AV

Élément	Touche ←	Touche →
Contraste	Diminution du contraste	Augmentation du contraste
Luminos.	Diminution de la luminosité	Augmentation de la luminosité
Couleur	Diminution de l'intensité des couleurs	Augmentation de l'intensité des couleurs
Teinte	Les teintes chair deviennent plus violettes	Les teintes chair deviennent plus vertes
Netteté	Diminution de la netteté	Augmentation de la netteté

Pour source PC

Élément	Touche ←	Touche →
Contraste	Diminution du contraste	Augmentation du contraste
Luminos.	Diminution de la luminosité	Augmentation de la luminosité
Rouge	Le rouge est diminué	Le rouge est augmenté
Vert	Le vert est diminué	Le vert est augmenté
Bleu	Le bleu est diminué	Le bleu est augmenté

Remarque

- Pour faire les réglages avancés de l'image, sélectionnez "Réglage pro." à l'opération 3 puis appuyez sur ENTER. Pour la marche à suivre, voir *Réglages avancés de l'image*.
- Pour que les valeurs par défaut soient rétablies pour tous les éléments, utilisez ↑/↓ pour sélectionner "Réinitial." au cours de l'opération 3 puis appuyez sur ENTER. Une page de confirmation s'affiche. Utilisez ←/→ pour sélectionner "Oui" puis appuyez sur ENTER.
- Un brusque changement de position de l'image et de luminosité de l'écran peut se produire quand vous ouvrez le menu "Image".

Réglages avancés de l'image

L'écran plasma est doté de diverses fonctions avancées permettant d'optimiser la qualité de l'image. Pour les détails sur ces fonctions, consultez les tableaux.

Utilisation de PureCinema

- 1 Appuyez sur HOME MENU.
- 2 Sélectionnez "Image" (↑/↓ puis ENTER).
- 3 Sélectionnez "Réglage pro." (↑/↓ puis ENTER).
- 4 Sélectionnez "PureCinema" (↑/↓ puis ENTER).
- 5 Sélectionnez "Mode film" ou "Optimis. texte" (↑/↓ puis ENTER).
- 6 Sélectionnez le paramètre désiré (↑/↓ puis ENTER).
 - Pour les paramètres sélectionnables, consultez le tableau.

PureCinema		
Cette fonction détecte automatiquement toute source de film (initialement le codage est de 24 images/secondes), l'analyse puis recrée chaque image fixe du film pour obtenir une haute définition.		
Mode film	Arrêt	Désactive PureCinema
	Standard	Production d'images animées régulières et vivantes (spécifiques aux films) par détection automatique des informations enregistrées tandis que sont affichées des images de DVD ou à haute définition (par exemple, films) cadencées à 24 images/s
	Douce	Production d'images animées plus régulières et plus vivantes
	Avancé	Production d'images animées régulières et de qualité (telles qu'on peut les voir dans une salle de cinéma) par conversion à 72 Hz tandis que sont affichées des images de DVD (par exemple, films) cadencées à 24 images/s
Optimis. texte	Arrêt	Désactive l'optimisation de texte
	Marche	Améliore la qualité d'affichage des sous-titres

- 7 Appuyez sur HOME MENU pour quitter le menu.

Remarque

- “Standard” n’est pas sélectionnable pour les signaux d’entrée suivants: 480p, 720p@60 Hz, 1080p@60 Hz.
- “Douce” n’est pas sélectionnable pour les signaux d’entrée suivants: 1080p@60 Hz.
- “Avancé” n’est pas sélectionnable pour les signaux d’entrée suivants: 1080p@60 Hz.
- Quand vous sélectionnez “Marche” pour “Préf. Cmde Jeu” du menu “Options”, le réglage “PureCinema” est invalidé.

Utilisation de Détail image

- 1 Appuyez sur HOME MENU.
- 2 Sélectionnez “Image” (↑/↓ puis ENTER).
- 3 Sélectionnez “Réglage pro.” (↑/↓ puis ENTER).
- 4 Sélectionnez “Détail image” (↑/↓ puis ENTER).
- 5 Sélectionnez un élément à régler (↑/↓ puis ENTER).
 - Vous pouvez sélectionner “Image DRE”, “Niveau du noir”, “ACL”, “Mode améliorateur” ou “Gamma”.
- 6 Sélectionnez le paramètre désiré (↑/↓ puis ENTER).

Image DRE

Accentue le contraste sur les images de manière que la différence entre les parties lumineuses et sombres soit plus marquée

Sélections	Arrêt	Désactive Image DRE
	Haut	Image DRE améliorée
	Moyen	Image DRE standard
	Bas	Image DRE modérée

Niveau du noir

Accentue les parties noires des images de manière que la différence entre les parties lumineuses et sombres soit plus marquée

Sélections	Arrêt	Désactive Niveau du noir
	Marche	Active Niveau du noir

ACL

Effectue une correction qui donne lieu à des caractéristiques de contraste optimales pour les images

Sélections	Arrêt	Désactive ACL
	Marche	Active ACL

Mode améliorateur

Sélectionne le traitement des zones haute fréquence (détails) de l’image

Sélections	1	Sélectionne une image dure (Netteté)
	2	Sélectionne une image naturelle (Netteté)
	3	Sélectionne une image douce (Netteté)

Gamma

Règle les caractéristiques du gamma (caractéristiques de gradation d’image)

Sélections	1	Sélectionne les caractéristiques de gamma 1
	2	Sélectionne les caractéristiques de gamma 2
	3	Sélectionne les caractéristiques de gamma 3

- 7 Appuyez sur HOME MENU pour quitter le menu.

Utilisation de Temp. Couleur

- 1 Appuyez sur HOME MENU.
- 2 Sélectionnez “Image” (↑/↓ puis ENTER).
- 3 Sélectionnez “Réglage pro.” (↑/↓ puis ENTER).
- 4 Sélectionnez “Infos couleur” (↑/↓ puis ENTER).
- 5 Sélectionnez “Temp. Couleur” (↑/↓ puis ENTER).
- 6 Sélectionnez le paramètre désiré (↑/↓ puis ENTER).

Temp. Couleur

Ce paramètre règle la température de couleur, procurant ainsi une meilleure balance des blancs.

Sélections	Haut	Le blanc a un ton bleuté
	Moyen	Le ton est naturel
	Bas	Le blanc a un ton rougeâtre

- 7 Appuyez sur HOME MENU pour quitter le menu.

Utilisation de CTI

- 1 Appuyez sur HOME MENU.
- 2 Sélectionnez “Image” (↑/↓ puis ENTER).
- 3 Sélectionnez “Réglage pro.” (↑/↓ puis ENTER).
- 4 Sélectionnez “Infos couleur” (↑/↓ puis ENTER).
- 5 Sélectionnez “CTI” (↑/↓ puis ENTER).
- 6 Sélectionnez le paramètre désiré (↑/↓ puis ENTER).

CTI

Cette fonction permet d’obtenir des couleurs aux contours mieux définis. CTI signifie Amélioration des transitions de couleurs.

Sélections	Arrêt	Met hors service la fonction CTI
	Marche	Met en service la fonction CTI

- 7 Appuyez sur HOME MENU pour quitter le menu.

Élimination du bruit des images

- 1 Appuyez sur HOME MENU.
- 2 Sélectionnez “Image” (↑/↓ puis ENTER).
- 3 Sélectionnez “Réglage pro.” (↑/↓ puis ENTER).
- 4 Sélectionnez “Réduction Bruit” (↑/↓ puis ENTER).
- 5 Sélectionnez un élément à régler (↑/↓ puis ENTER).
 - Vous pouvez sélectionner “3DNR” ou “RB Image”.
- 6 Sélectionnez le paramètre désiré (↑/↓ puis ENTER).

3DNR

Élimine le bruit vidéo et donne des images nettes et propres. 3DNR signifie réduction de bruit tridimensionnelle.

Sélections	Arrêt	Désactive 3DNR
	Haut	3DNR amélioré
	Moyen	3DNR standard
	Bas	3DNR modéré

RB Image

Supprime le clignotement pour des images plus naturelles

Sélections	Arrêt	Désactive RB Image
	Haut	RB Image amélioré
	Moyen	RB Image standard
	Bas	RB Image modéré

7 Appuyez sur HOME MENU pour quitter le menu.

Comparaison des réglages d'image sur l'écran

Pendant les réglages d'image, vous pouvez vous référer rapidement à l'image précédemment réglée dans le même paramètre; ce qui vous permet de comparer facilement et de sélectionner la qualité d'image que vous préférez.

- 1 Appuyez sur HOME MENU.
- 2 Sélectionnez "Image" (↑/↓ puis ENTER).
- 3 Sélectionnez un élément à régler (↑/↓ puis ENTER).
- 4 Tout en effectuant le réglage, appuyez sur la touche BLEU du boîtier de télécommande.

"Avant" est affiché et l'image réglée la dernière fois apparaît pour comparaison.

Avant

5 Appuyez de nouveau sur la touche pour repasser à l'image que vous venez juste de régler.

Chaque pression sur la touche donne une commutation entre "Avant" et "Après".

- 6 Répétez les opérations 1 et 5 pour les autres paramètres.
- 7 Appuyez sur HOME MENU pour quitter le menu.

Attention

- Si vous quittez le menu en appuyant sur **HOME MENU** ou si aucune opération n'est effectuée pendant 60 secondes, tous les réglages de paramètre affichés en dernier sont mémorisés.
- Si vous voulez quitter le menu sans effectuer les réglages (ou laisser les réglages invalidés) sur l'écran "Après", passez à "Avant"; puis quittez le menu.

Remarque

- Vous ne pouvez pas régler un élément tandis que l'écran "Avant" est actif. Une message d'avertissement s'affiche.
- Quand vous passez à un autre paramètre, veillez à changer d'abord l'affichage de "Avant" à "Après", sinon vous ne pourrez pas sélectionner "Avant". Un message d'avertissement s'affiche si vous ne faites pas ce changement.
- Si vous quittez la sélection à partir de l'écran "Avant", l'entrée précédente est mémorisée et la touche ne fonctionne plus.
- Si vous quittez la sélection à partir de l'écran "Après", la nouvelle entrée est mémorisée et la touche ne fonctionne plus.
- Si vous passez à une autre position et changez le paramètre "Sélection AV", la nouvelle entrée du paramètre actuel est mémorisée et la touche fonctionne encore.
- Vous ne pouvez pas comparer des images entre différents paramètres du menu "Sélection AV" ("STANDARD" et "CINÉMA", par exemple).

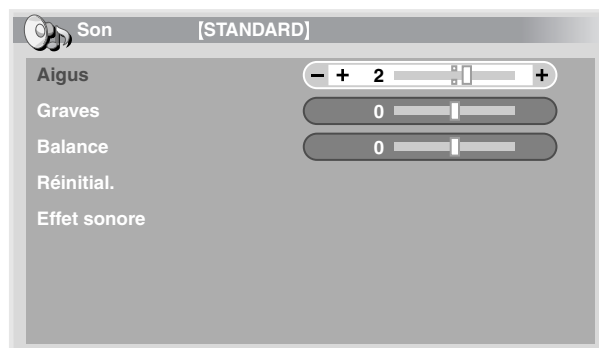
- Quand vous sélectionnez cette fonction, "OPTIMUM" du menu "Sélection AV" et "Capt. lum. salle" du menu "Options" sont réglés sur arrêt et la qualité d'image repasse aux réglages par défaut.
- Cette fonction n'est pas sélectionnable:
 - quand vous sélectionnez "Sélection AV",
 - quand vous sélectionnez "Oui" ou "Non" sur l'écran de confirmation pour "Réinitial." du menu "Image" ou
 - quand vous sélectionnez un menu à partir de la source PC.

Réglages du son

Grâce aux éléments qui suivent, vous pouvez régler les caractéristiques du son selon vos préférences.

Réglez le son selon vos préférences et en fonction de l'option Sélection AV retenue. Voir page 60.

- 1 Appuyez sur HOME MENU.
- 2 Sélectionnez "Son" (↑/↓ puis ENTER).
- 3 Sélectionnez un élément à régler (↑/↓).
- 4 Sélectionnez la valeur désirée (←/→).



Élément	Touche ←	Touche →
Aigus	Pour des aigus atténués	Pour des aigus accentués
Graves	Pour des graves atténués	Pour des graves accentués
Balance	Règle la balance audio vers la gauche	Règle la balance audio vers la droite

5 Appuyez sur HOME MENU pour quitter le menu.

Remarque

- Vous ne pouvez pas régler les caractéristiques du son pour l'écoute au casque.
- Si vous faites des réglages sonores avec le casque connecté, les nouveaux réglages prendront effet dès que vous déconnecterez le casque.
- Pour que les valeurs par défaut soient rétablies pour tous les éléments, utilisez ↑/↓ pour sélectionner "Réinitial." au cours de l'opération 3 puis appuyez sur **ENTER**. Une page de confirmation s'affiche. Utilisez ←/→ pour sélectionner "Oui" puis appuyez sur **ENTER**.

Effet sonore

Vous pouvez sélectionner SRS FOCUS, SRS ou SRS TruBass.

- 1 Appuyez sur HOME MENU.
- 2 Sélectionnez "Son" (↑/↓ puis ENTER).
- 3 Sélectionnez "Effet sonore" (↑/↓ puis ENTER).
- 4 Sélectionnez "SRS FOCUS", "SRS" ou "SRS TruBass" (↑/↓).
- 5 Sélectionnez le paramètre souhaité (←/→).


SRS FOCUS		
Sélections	Arrêt	Désactive SRS FOCUS®
	Marche	Active SRS FOCUS® Décale la direction apparente du son vers le haut pour qu'il soit défini plus clairement

SRS		
Sélections	Arrêt	Désactive SRS®
	Marche	Active SRS® Reproduit un son tridimensionnel très efficace

SRS TruBass		
Sélections	Arrêt	Désactive SRS TruBass®
	Marche	Active SRS TruBass® Produit des graves riches et profonds grâce à une nouvelle technologie

- 6 Appuyez sur HOME MENU pour quitter le menu.

Remarque

-  (WOW) indique un état où SRS FOCUS®, SRS® et SRS TruBass® sont en service.
- Vous ne pouvez pas régler l'effet sonore pour l'écoute au casque.
- Si vous changez l'effet sonore avec le casque connecté, le nouveau réglage prendra effet dès que vous déconnecterez le casque.
- L'effet de cette fonction diffère suivant les signaux.

Commande alimentation

La gestion de l'alimentation offre différents moyens d'économiser l'énergie.

Économie d'énergie

Vous pouvez utiliser un des trois modes d'économie d'énergie pour diminuer la puissance absorbée par l'appareil.

- 1 Appuyez sur HOME MENU.
- 2 Sélectionnez "Commande alimentation" (↑/↓ puis ENTER).
- 3 Sélectionnez "Économie d'énergie" (↑/↓ puis ENTER).
- 4 Sélectionnez "Mode 1", "Mode 2" ou "Arrêt Image" (↑/↓ puis ENTER).

Élément	Description
Arrêt	La luminosité de l'image n'est pas réduite
Mode 1	Réduit légèrement la puissance absorbée en baissant légèrement le niveau de luminosité
Mode 2	Baisse la luminosité des images et réduit la puissance absorbée
Arrêt Image	Désactive l'affichage pour économiser l'énergie. Pour rétablir l'image, appuyez sur toute touche autre que VOL +/– et MUTING. Ce réglage n'est pas conservé en mémoire par le système.

- 5 Appuyez sur HOME MENU pour quitter le menu.

Remarque

- Quand vous changez le mode Économie d'énergie, il se peut que vous remarquiez un changement de son de l'écran. C'est normal.
- La fonction d'économie d'énergie maintient l'efficacité de l'écran pendant longtemps en réduisant la luminosité de l'image et en diminuant la consommation d'énergie. Le réglage de la fonction d'économie d'énergie sur "Mode 1" est recommandé pour une meilleure efficacité.

Mise hors service en l'absence de signal (source AV uniquement)

Cette fonction place le système en veille si aucun signal n'est capté pendant 15 minutes.

- 1 Appuyez sur HOME MENU.
- 2 Sélectionnez "Commande alimentation" (↑/↓ puis ENTER).
- 3 Sélectionnez "Pas de signal arrêt" (↑/↓ puis ENTER).
- 4 Sélectionnez "Activer" (↑/↓ puis ENTER).

Élément	Description
Désactiver (réglage par défaut)	Le système n'est pas placé en veille
Activer	Le système est placé en veille si aucun signal n'est capté pendant 15 minutes

- 5 Appuyez sur HOME MENU pour quitter le menu.

Remarque

- Un message apparaît chaque minute au cours des cinq minutes qui précèdent la mise en veille du système.
- Il se peut que le système ne soit pas placé en veille si du bruit est présent à l'écran plasma à la fin d'une émission de télévision.

Mise hors service en l'absence d'opération (source AV uniquement)

Le système est placé en veille si aucune opération n'est exécutée pendant trois heures.

- 1 Appuyez sur HOME MENU.
- 2 Sélectionnez "Commande alimentation" (↑/↓ puis ENTER).
- 3 Sélectionnez "Pas d'opération arrêt" (↑/↓ puis ENTER).
- 4 Sélectionnez "Activer" (↑/↓ puis ENTER).

Élément	Description
Désactiver (réglage par défaut)	Le système n'est pas placé en veille
Activer	Le système est placé en veille si aucune opération n'est exécutée pendant trois heures

- 5 Appuyez sur HOME MENU pour quitter le menu.

Remarque

- Un message apparaît chaque minute au cours des cinq minutes qui précèdent la mise en veille du système.

Gestion alimentation (source PC uniquement)

Le système est automatiquement placé en veille si aucun signal n'est reçu de l'ordinateur personnel.

- 1 Appuyez sur HOME MENU.
- 2 Sélectionnez "Commande alimentation" (↑/↓ puis ENTER).
- 3 Sélectionnez "Gestion alimentation" (↑/↓ puis ENTER).
- 4 Sélectionnez "Mode 1" ou "Mode 2" (↑/↓ puis ENTER).

Élément	Description
Arrêt (réglage par défaut)	Il n'y a pas de gestion de l'alimentation
Mode 1	<ul style="list-style-type: none"> • Le système est placé en veille si aucun signal n'est reçu de l'ordinateur personnel pendant huit minutes. • Lorsque vous recommencez à utiliser l'ordinateur et bien qu'un signal soit alors reçu, le système demeure en veille. • Le système est remis en service en appuyant sur STANDBY/ON de l'écran plasma ou sur TV ⓪ du boîtier de télécommande.
Mode 2	<ul style="list-style-type: none"> • Le système est placé en veille si aucun signal n'est reçu pendant huit secondes. • Lorsque vous recommencez à utiliser l'ordinateur et qu'un signal est reçu, le système est remis en service. • Le système est remis en service en appuyant sur STANDBY/ON de l'écran plasma ou sur TV ⓪ du boîtier de télécommande.

- 5 Appuyez sur HOME MENU pour quitter le menu.

Remarque

- Cette fonction n'est pas sélectionnable quand le PC est connecté à la prise HDMI.

Minut. Extinction

À l'expiration d'un certain temps, le système est automatiquement mis en veille par cette minuterie.

- 1 Appuyez sur HOME MENU.
- 2 Sélectionnez "Minut. Extinction" (↑/↓ puis ENTER).
- 3 Sélectionnez le temps désiré (↑/↓ puis ENTER).

Select from "Arrêt" (annulé), "30 mn", "60 mn", "90 mn" ou "120 mn".

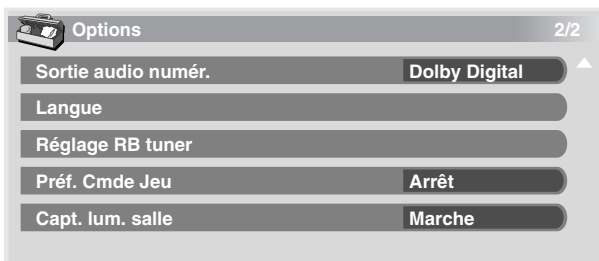
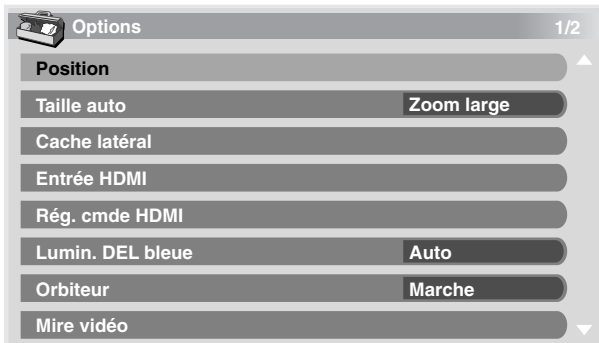
- 4 Appuyez sur HOME MENU pour quitter le menu.

Remarque

- Le temps restant avant la mise en veille s'affiche toutes les minutes au cours des cinq dernières minutes.
- Pour connaître le temps restant, effectuez les opérations 1 et 2. Après avoir contrôlé le temps, appuyez sur **HOME MENU** pour repasser à l'affichage précédent.
- Le témoin SLEEP à l'avant de l'écran plasma s'allume en orange quand la minuterie d'extinction est réglée.

Au sujet des menus "Options"

Le menu "Options" est constitué de deux pages. Pour sélectionner le menu souhaité, appuyer sur \downarrow/\uparrow à plusieurs reprises pour changer entre page 1 et page 2. Le numéro de la page actuelle apparaît au coin supérieur droit de l'écran.

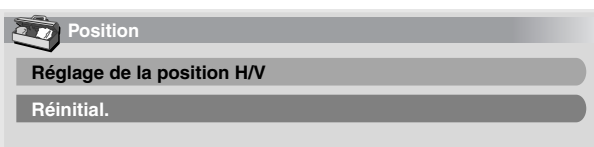


(Pour source AV)

Réglage de la position de l'image (source AV uniquement)

Cette fonction permet de régler les positions horizontale et verticale des images sur l'écran plasma.

- 1 Appuyez sur HOME MENU.
- 2 Sélectionnez "Options" (\uparrow/\downarrow puis ENTER).
- 3 Sélectionnez "Position" (\uparrow/\downarrow puis ENTER).
- 4 Sélectionnez "Réglage de la position H/V" (\uparrow/\downarrow puis ENTER).



- 5 Réglez la position verticale (\uparrow/\downarrow) ou la position horizontale (\leftarrow/\rightarrow).
- 6 Appuyez sur HOME MENU pour quitter le menu.

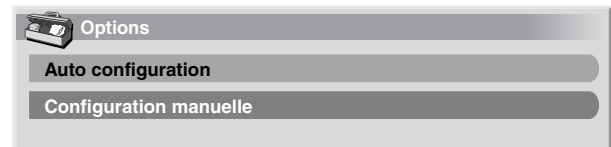
Remarque

- Pour que les valeurs par défaut soient rétablies pour tous les éléments, utilisez \uparrow/\downarrow pour sélectionner "Réinitial." au cours de l'opération 4 puis appuyez sur ENTER. Une page de confirmation s'affiche. Utilisez \leftarrow/\rightarrow pour sélectionner "Oui" puis appuyez sur ENTER.
- Les réglages sont conservés individuellement pour chaque source.
- En fonction de l'image vidéo affichée, la position de l'image peut ne pas changer même après le réglage.
- Quand "Pt par Pt" est sélectionné pour le mode d'écran, le menu "Position" est invalidé.

Réglages automatiques de la position de l'image et de l'horloge (source PC uniquement)

Grâce à la configuration automatique vous pouvez régler la position et l'horloge des images provenant d'un ordinateur personnel.

- 1 Appuyez sur HOME MENU.
- 2 Sélectionnez "Options" (\uparrow/\downarrow puis ENTER).
- 3 Sélectionnez "Auto configuration" (\uparrow/\downarrow puis ENTER).



- La configuration automatique démarre.

- 4 Appuyez sur HOME MENU pour quitter le menu.

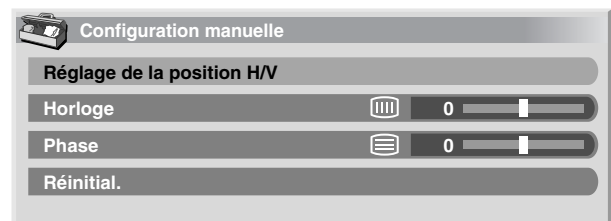
Remarque

- Quand l'autoinstallation est terminée, "Réglage automatique terminé." apparaît.
- Même si "Réglage automatique terminé." apparaît, il se peut que l'autoinstallation ait échoué pour une raison quelconque.
- L'autoinstallation peut échouer si l'image fournie par l'ordinateur personnel comprend des motifs répétés ou est monochrome. En cas d'échec, choisissez une autre image sur l'ordinateur personnel et recommencez les opérations.
- N'oubliez pas de connecter l'ordinateur personnel à l'écran plasma et de le mettre sous tension avant de démarrer la configuration automatique.
- En fonction de l'image vidéo affichée, la position de l'image peut ne pas changer même après le réglage.
- Cette fonction n'est pas sélectionnable quand le PC est connecté à la prise HDMI.

Réglages manuels de la position de l'image et de l'horloge (source PC uniquement)

En principe, le réglage adopté par l'autoinstallation est suffisant. Toutefois, vous pouvez optimiser les positions de l'image et de l'horloge par un réglage manuel.

- 1 Appuyez sur HOME MENU.
- 2 Sélectionnez "Options" (\uparrow/\downarrow puis ENTER).
- 3 Sélectionnez "Configuration manuelle" (\uparrow/\downarrow puis ENTER).
- 4 Sélectionnez un élément à régler (\uparrow/\downarrow puis ENTER).



- 5 Effectuez le réglage (\leftarrow/\rightarrow ou \uparrow/\downarrow).
 - Avec "Horloge" ou "Phase" sélectionné, vous pouvez changer le paramètre en utilisant \leftarrow/\rightarrow .
- 6 Appuyez sur HOME MENU pour quitter le menu.

Réglages et mises au point

Remarque

- Pour que les valeurs par défaut soient rétablies pour tous les éléments, utilisez **↑/↓** pour sélectionner "Réinitial." au cours de l'opération 4 puis appuyez sur **ENTER**. Une page de confirmation s'affiche. Utilisez **←/→** pour sélectionner "Oui" puis appuyez sur **ENTER**.
- Cette fonction n'est pas sélectionnable quand le PC est connecté à la prise HDMI.

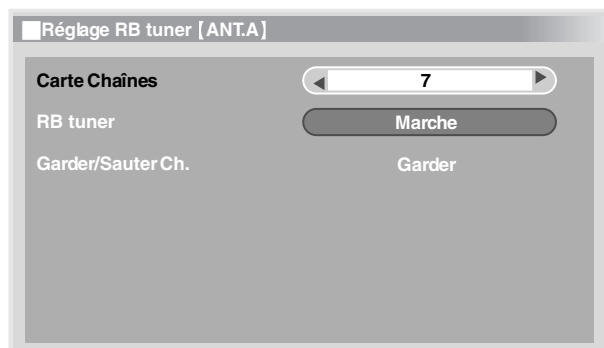
Réduction de bruit vidéo

Pour chaque chaîne de télévision analogique, vous pouvez spécifier si l'écran plasma doit réduire le bruit vidéo suivant les niveaux des signaux émis.

- Appuyez sur **HOME MENU**.
- Sélectionnez "Options" (**↑/↓** puis **ENTER**).
- Sélectionnez "Réglage RB Tuner" (**↑/↓** puis **ENTER**).
- Sélectionnez "Carte Chaînes" (**↑/↓**).

Vous pouvez sélectionner seulement les chaînes analogiques réglées par la présélection automatique ou POD.

- Sélectionnez "RB Tuner" (**↑/↓**).
- Sélectionnez "Marche" (**←/→**).



Élément	Description
Marche (réglage par défaut)	Active la réduction de bruit du tuner
Arrêt	Désactive la réduction de bruit du tuner

- Appuyez sur **HOME MENU** pour quitter le menu.

Remarque

- Cette fonction n'est sélectionnable que lorsque des signaux sont reçus par ANT.A ou ANT.B.
- Le menu "Garder/Sauter Ch." n'est pas sélectionnable. "Garder" ou "Sauter" est affiché quand le réglage de "Carte Chaînes" est changé.
- Suivant les signaux émis, cette fonction risque de ne pas donner de résultat satisfaisant.

Sélection d'un mode jeu

Quand vous utilisez un jeu, vous pouvez utiliser cette fonction pour donner la préférence à la qualité d'image ou à la facilité d'utilisation.

- Appuyez sur **HOME MENU**.
- Sélectionnez "Options" (**↑/↓** puis **ENTER**).
- Sélectionnez "Préf. Cmde Jeu" (**↑/↓** puis **ENTER**).

- Sélectionnez "Marche" ou "Arrêt" (**↑/↓** puis **ENTER**).

Élément	Description
Marche	Donne la préférence à la facilité d'utilisation
Arrêt	Donne la préférence à la qualité d'image

- Appuyez sur **HOME MENU** pour quitter le menu.

Remarque

- "Préf. Cmde Jeu" est disponible seulement lors de l'utilisation d'une entrée externe (source PC exceptée) et quand "JEU" est sélectionné dans "Sélection AV".
- Les options de "Préf. Cmde Jeu" ne sont pas efficaces quand des signaux de PC sont reçus (quand un menu de source PC est affiché à l'écran).
- Le réglage "Marche" n'est pas efficace lors du gel d'images ni dans le mode image multiple.

Sélection manuelle d'un format d'écran

Une seule image étant affichée sur l'écran, appuyez sur **SCREEN SIZE** pour sélectionner le format désiré de l'image parmi les formats disponibles compte tenu des signaux vidéo reçus.

- Les formats disponibles dépendent de la nature des signaux appliqués à l'entrée.

Pour source AV

Élément	Description
4:3	Pour des images "standard" 4:3. Un cache apparaît de chaque côté
LARGE	Avec ce mode, l'image est allongée jusqu'à toucher les bords de l'écran
PLEIN	Pour afficher des images 16:9 rétrécies
Pt par Pt	À un pixel du signal d'entrée correspond un pixel sur l'écran (sélectionnable seulement pour des signaux 1080i ou 1080p)
ZOOM	Pour des images 16:9 allongées. Dans certains cas, une bande peut être visible en haut et en bas de l'image
CINÉMA	Pour des images 14:9 allongées. Dans certains cas, une bande peut être visible en haut et en bas de l'image

Pour source PC

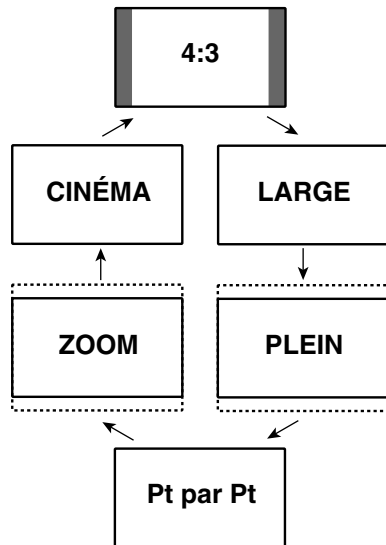
Élément	Description
4:3	L'image occupe la totalité de la surface de l'écran mais son ratio d'aspect n'est pas modifié
PLEIN	Image 16:9 plein écran

Remarque

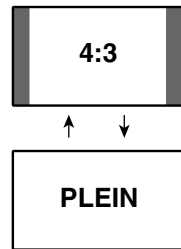
- Quand on regarde une émission de télévision haute définition, la pression sur **SCREEN SIZE** permet de faire la sélection parmi PLEIN, Pt par Pt, ZOOM, LARGE et 4:3.
- Si vous regardez une émission de télévision haute définition avec LARGE sélectionné, une partie de l'écran (p. ex., images, interface graphique) risque de ne pas être affichée. Le cas échéant, sélectionnez PLEIN.
- Certaines émissions HD peuvent afficher un contenu 4:3 avec des caches latéraux, qui peuvent causer une usure irrégulière de l'écran. Après l'affichage de telles images, il est recommandé d'afficher des images animées en plein écran (voir *Détection de caches latéraux* à la page 68).

- Les formats d'écran sélectionnables peuvent différer en fonction des conditions.
- Vous pouvez changer librement le format de l'écran lors de l'affichage d'émissions HD ou de sources d'entrée HD. Cependant, quand vous retournez à un programme HD après l'avoir quitté, "PLEIN" est sélectionné automatiquement pour le format de l'écran.
- Il n'est pas recommandé d'afficher de façon prolongée des signaux qui ne remplissent pas tout l'écran. Cela peut causer une rémanence d'image temporaire ou permanente en fonction de la fréquence et de la durée de l'affichage.

Source AV



Source PC



Sélection automatique d'un format d'écran

L'écran plasma sélectionne automatiquement un format approprié quand les signaux vidéo reçus viennent d'un appareil HDMI connecté (reportez-vous à la page 71). Pour activer cette fonction, procédez comme décrit ci-dessous.

- 1 Appuyez sur HOME MENU.
- 2 Sélectionnez "Options" (↑/↓ puis ENTER).
- 3 Sélectionnez "Taille auto" (↑/↓ puis ENTER).
- 4 Sélectionnez "Naturel" ou "Zoom large" (↑/↓ puis ENTER).

Élément	Description
Arrêt	Met hors service la fonction Taille auto
Naturel	Règle naturellement l'image à l'écran
Zoom large	Agrandit et affiche seulement la partie à ratio d'aspect 4:3 en écran plein et large

- 5 Appuyez sur HOME MENU pour quitter le menu.

Remarque

- Choisissez manuellement le format d'image convenable si la sélection automatique ne s'effectue pas correctement.
- Quand le signal vidéo ne contient aucune information de ratio d'aspect, la fonction est inopérante même si "Naturel" ou "Zoom large" est sélectionné.

Détection de caches latéraux

Certaines émissions HD peuvent apparaître au format 4:3 avec des caches de chaque côté. L'écran plasma détecte automatiquement ces caches latéraux pour donner des caches gris quand "Naturel" a été sélectionné pour "Taille auto", ou affiche l'image en plein écran avec les caches latéraux enlevés quand "Zoom large" a été sélectionné. Cette fonction est inopérante quand "Arrêt" est sélectionné pour "Taille auto".

- 1 Appuyez sur HOME MENU.
- 2 Sélectionnez "Options" (↑/↓ puis ENTER).
- 3 Sélectionnez "Cache latéral" (↑/↓ puis ENTER).
- 4 Sélectionnez "Détection" (↑/↓).
- 5 Sélectionnez "Marche" (←/→).

Élément	Description
Arrêt	Désactive la détection de caches latéraux
Marche	Active la détection de caches latéraux

- 6 Appuyez sur HOME MENU pour quitter le menu.

Important

- Le réglage "Marche" évite l'usure inégale avec un contenu 4:3 et les caches latéraux peuvent réduire le risque de rémanence d'image.

Remarque

- Vous ne pouvez pas régler la détection de caches latéraux sur "Marche" ou "Arrêt" quand "Arrêt" est sélectionné dans "Taille auto".
- Réglez la fonction de détection de caches latéraux sur "Marche". Les images de format 16:9 en haute définition contenant des caches latéraux seront détectées automatiquement et des caches latéraux seront ajoutés ou l'image sera affichée sur la totalité de l'écran.
- La détection de caches latéraux est inopérante sur un contenu 4:3 affiché en signaux SD (définition standard).
- "Auto" apparaît sur l'affichage de chaîne quand cette fonction est en service.
- Suivant le contenu HD, des erreurs de détection peuvent se produire. Si une erreur de détection se produit, changez le format d'écran manuellement.
- La détection de caches latéraux risque de ne pas fonctionner correctement pour les signaux vidéo qui ne contiennent pas d'information de ratio d'aspect. Le cas échéant, contrôlez si "PLEIN" est sélectionné pour le format d'écran, passez à une autre source d'entrée, puis repassez à la source d'entrée initiale.

Modification de la luminosité de chaque côté de l'écran (Cache latéral)

Avec le format 4:3, vous avez la possibilité de modifier la luminosité des caches latéraux gris qui sont visibles sur l'écran.

- 1 Appuyez sur HOME MENU.
- 2 Sélectionnez "Options" (↑/↓ puis ENTER).
- 3 Sélectionnez "Cache latéral" (↑/↓ puis ENTER).
- 4 Sélectionnez "Sync. luminosité" (↑/↓).
- 5 Sélectionnez le paramètre souhaité (←/→).

Élément	Description
Fixe (réglage par défaut)	La luminosité des caches gris est toujours la même
Auto	La luminosité des caches gris est fonction de celle des images

Important

- Le réglage "Auto" agit sur la luminosité des caches latéraux en fonction de celle de l'écran et contribue ainsi à réduire le risque de rémanence d'image.

6 Appuyez sur HOME MENU pour quitter le menu.

Capteur de luminosité ambiante

Cette fonction règle automatiquement la luminosité de l'affichage en fonction de la luminosité ambiante. Pour plus de détails, procédez comme décrit ci-dessous.

- Appuyez sur HOME MENU.
- Sélectionnez "Options" (↑/↓ puis ENTER).
- Sélectionnez "Capt. lum. salle" (↑/↓ puis ENTER).
- Sélectionnez "Marche" ou "Arrêt" (↑/↓ puis ENTER).

Élément	Description
Marche	Active la fonction du capteur de luminosité ambiante
Arrêt	Désactive la fonction du capteur de luminosité ambiante

5 Appuyez sur HOME MENU pour quitter le menu.

Remarque

- Cette fonction est désactivée quand "OPTIMUM" est sélectionné sur le menu "Sélection AV".
- Cette fonction est inopérante quand des signaux de PC sont reçus.
- Comme la fonction OPTIMUM optimise automatiquement la qualité de l'image, le processus dans lequel les réglages d'image tels que la luminosité et la teinte changent progressivement peut être visible à l'écran. Il ne s'agit pas d'un mauvais fonctionnement.

Luminosité DEL bleue

Vous pouvez régler la luminosité du témoin POWER ON en fonction de la luminosité ambiante. Quand "Auto" est sélectionné, la luminosité du témoin passe automatiquement à "Haute", "Moyenne" ou "Basse" en fonction de la luminosité ambiante.

- Appuyez sur HOME MENU.
- Sélectionnez "Options" (↑/↓ puis ENTER).
- Sélectionnez "Lumin. DEL bleue" (↑/↓ puis ENTER).
- Sélectionnez "Auto", "Haute", "Moyenne" ou "Basse" (↑/↓ puis ENTER).
- Appuyez sur HOME MENU pour quitter le menu.

Orbiteur

Cette fonction déplace automatiquement l'image petit à petit.

- Appuyez sur HOME MENU.
- Sélectionnez "Options" (↑/↓ puis ENTER).
- Sélectionnez "Orbiteur" (↑/↓ puis ENTER).

4 Sélectionnez "Mode 1" ou "Mode 2" (↑/↓ puis ENTER).

Élément	Description
Arrêt	Désactive l'Orbiteur
Mode 1	Active la fonction de protection d'affichage pour tout mode d'écran autre que "Pt par Pt"
Mode 2	Active la fonction de protection d'affichage pour tous les modes d'écran disponibles.

5 Appuyez sur HOME MENU pour quitter le menu.

- Pour annuler cette fonction, sélectionnez "Arrêt" à l'opération 4.

Remarque

- Pour le mode Pt par Pt, voir *Sélection manuelle d'un format d'écran*, page 67.
- Cette fonction est inopérante quand des signaux de PC sont reçus.

Mire vidéo

Vous pouvez afficher l'écran de Mire vidéo qui contribue aussi à éliminer une image rémanente.

- Appuyez sur HOME MENU.
- Sélectionnez "Options" (↑/↓ puis ENTER).
- Sélectionnez "Mire vidéo" (↑/↓ puis ENTER).
- Sélectionnez "Début" (ENTER).

Une page de confirmation s'affiche.

L'écran de mire vidéo apparaît.

Remarque

- Le système est automatiquement mis en mode veille une heure après l'apparition de l'écran de mire vidéo.
- Quand l'écran de mire vidéo est en service, aucune touche ne fonctionne, sauf TV du boîtier de télécommande, et STANDBY/ON et de l'écran plasma.
- Pour annuler l'écran de mire vidéo, appuyer sur TV du boîtier de télécommande, STANDBY/ON ou (ou faites glisser de l'écran plasma.
- La minuterie de mire vidéo a priorité sur la minuterie d'extinction. Quand la minuterie de mire vidéo est en service, la minuterie d'extinction est inopérante.

Choix de la langue

Vous avez la possibilité de choisir, parmi les trois suivantes, la langue employée pour l'affichage sur l'écran des menus et instructions: Anglais, Espagnol et Français.

- Appuyez sur HOME MENU.
- Sélectionnez "Options" (↑/↓ puis ENTER).
- Sélectionnez "Langue" (↑/↓ puis ENTER).
- Sélectionnez une langue (←/→).



5 Appuyez sur HOME MENU pour quitter le menu.

Chapitre 12

Emploi d'un appareil extérieur

Appareil extérieur

Vous avez la possibilité de connecter divers types d'appareil à votre écran plasma, par exemple un lecteur de DVD, un magnétoscope, un ordinateur personnel, une console de jeu ou un caméscope.

Pour regarder les images provenant d'un appareil extérieur, sélectionnez la source d'entrée avec les touches **INPUT 1** à **INPUT 7** du boîtier de télécommande ou la touche **INPUT** de l'écran plasma.

Attention

- Afin de protéger tout le matériel, débranchez toujours l'écran plasma de la prise de courant avant de connecter un lecteur de DVD, un magnétoscope, un ordinateur personnel, une console de jeu, un caméscope ou tout autre appareil extérieur.

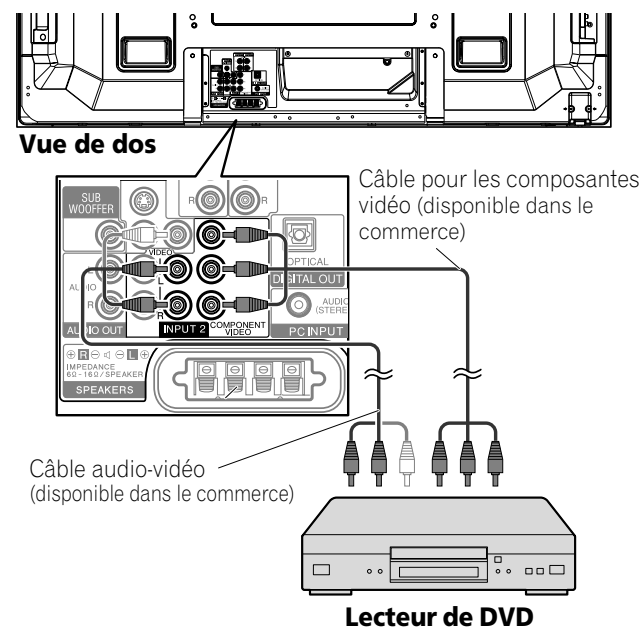
Remarque

- Avant d'effectuer les connexions, reportez-vous au mode d'emploi qui accompagne chaque appareil (lecteur de DVD, ordinateur personnel, etc.).

Affichage des images d'un lecteur de DVD

Connexion d'un lecteur de DVD

Utilisez la prise INPUT 2 pour connecter un lecteur de DVD ou un autre appareil audiovisuel.



Affichage des images provenant d'un lecteur de DVD

Pour regarder les images provenant d'un lecteur de DVD, appuyez sur **INPUT 2** du boîtier de télécommande ou sur **INPUT** de l'écran plasma de manière à sélectionner "ENTRÉE 2".

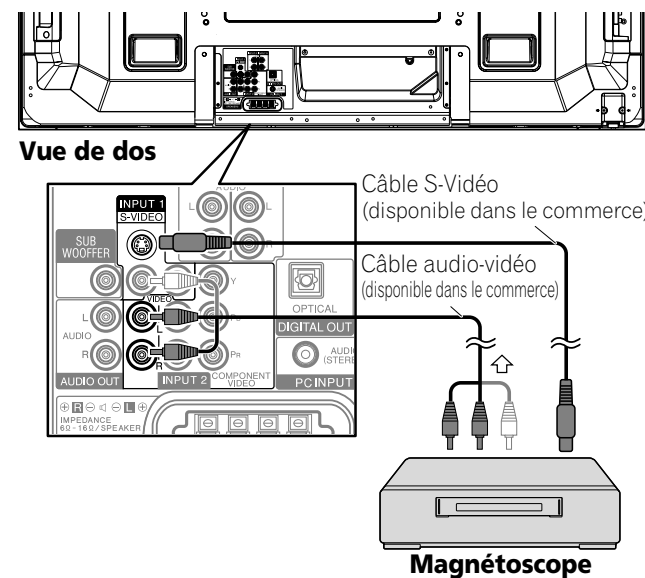
Remarque

- Pour connaître les types de signaux, reportez-vous au mode d'emploi qui accompagne le lecteur de DVD.
- Le contrôle de la connexion aux prises INPUT 2 se fait dans l'ordre 1) Vidéo composantes, 2) S-Vidéo, 3) Vidéo. Utilisez la connexion souhaitée pour l'affichage.
- Ne connectez un appareil qu'aux prises qui seront effectivement utilisées.

Affichage des images d'un magnétoscope

Connexion d'un magnétoscope

Utilisez la prise INPUT 1 pour connecter un magnétoscope ou un autre appareil audiovisuel.



Affichage des images provenant d'un magnétoscope

Pour regarder les images provenant d'un magnétoscope, appuyez sur **INPUT 1** du boîtier de télécommande ou sur **INPUT** de l'écran plasma de manière à sélectionner "ENTRÉE 1".

Remarque

- Le contrôle de la connexion aux prises INPUT 1 se fait dans l'ordre 1) S-vidéo, 2) Vidéo. Utilisez la connexion souhaitée pour l'affichage.
- Ne connectez un appareil qu'aux prises qui seront effectivement utilisées.

Utilisation de l'entrée HDMI

Les prises INPUT 4, INPUT 5, INPUT 6 et INPUT 7 sont des prises HDMI qui peuvent recevoir des signaux d'entrée audio et vidéo numériques. Pour utiliser la prise HDMI, précisez le type des signaux audio et vidéo en provenance de l'appareil connecté. Pour de plus amples détails concernant les signaux, reportez-vous au mode d'emploi qui accompagne l'appareil connecté.

Avant d'ouvrir le menu, appuyez sur **INPUT 4**, **INPUT 5**, **INPUT 6** ou **INPUT 7** du boîtier de télécommande ou sur **INPUT** de l'écran plasma pour sélectionner ENTRÉE 4, ENTRÉE 5, ENTRÉE 6 ou ENTRÉE 7.

Signaux vidéo pris en charge

720 (1440) x 480i@59,94 Hz/60 Hz

720 x 480p@59,94 Hz/60 Hz

1280 x 720p@59,94 Hz/60 Hz

1920 x 1080i@59,94 Hz/60 Hz

1920 x 1080p@24 Hz

1920 x 1080p@60 Hz

Signaux de PC pris en charge

640 x 480 (VGA) 60 Hz

800 x 600 (SVGA) 60 Hz

1024 x 768 (XGA) 60 Hz

1360 x 768 (Wide-XGA) 60 Hz

1280 x 1024 (SXGA) 60 Hz

Pour le son, la compatibilité du système est la suivante:

- PCM linéaire (STÉRÉO 2 canaux)
- Fréquence d'échantillonnage: 32 kHz, 44,1 kHz, 48 kHz

Commande HDMI prise en charge

L'écran plasma prend en charge les fonctions de commande HDMI. En connectant des appareils qui prennent en charge les fonctions de commande HDMI à l'écran plasma, vous pouvez commander ces appareils connectés à partir de cet écran plasma ou de son boîtier de télécommande. Voir "Utilisation de la commande HDMI" au Chapitre 13.

Deep Color pris en charge

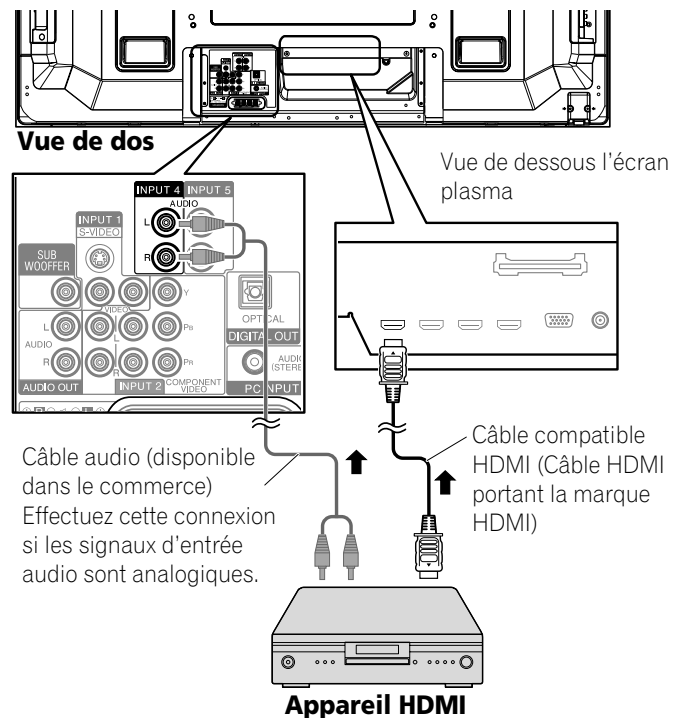
Deep Color signifie la profondeur de couleur, qui décrit le nombre de bits utilisés pour représenter la couleur de chaque pixel dans une image matricielle. En plus des signaux RVB/YCbCr16 bits/20 bits/24 bits conventionnels, l'écran plasma prend aussi en charge les signaux RVB/YCbCr30 bits/36 bits. Ceci permet une reproduction chromatique plus fine et précise quand un appareil qui prend en charge les signaux Deep Color (HDMI1.3) est connecté à l'écran plasma. Quand des signaux Deep Color sont reçus, la profondeur de couleur apparaît sur l'affichage de chaîne.

Remarque

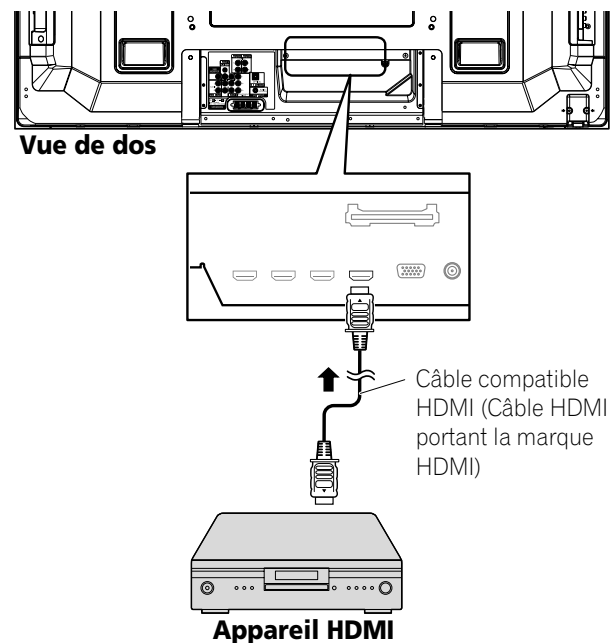
- Suivant l'appareil connecté, l'affichage d'une image peut prendre un peu de temps.
- Lors de la connexion d'un PC à la prise HDMI, utilisez un PC ou une carte vidéo compatible HDMI.
- Lors de la connexion d'un PC à la prise HDMI en utilisant une prise de sortie DVI, l'écran plasma risque de ne pas donner un affichage correct. Le cas échéant, consultez le fabricant de votre PC.
- Suivant le PC utilisé, l'image et/ou le son du PC risquent de ne pas être affichés ou audibles correctement.

Connexion d'un appareil HDMI

Utilisation de la prise INPUT 4:



Utilisation de la prise INPUT 7:



Pour spécifier le type des signaux d'entrée

- 1 Appuyez sur HOME MENU.
- 2 Sélectionnez "Options" (↑/↓ puis ENTER).
- 3 Sélectionnez "Entrée HDMI" (↑/↓ puis ENTER).
- 4 Sélectionnez "Type de signal" (↑/↓ puis ENTER).
- 5 Sélectionnez "Vidéo" ou "PC" (↑/↓ puis ENTER).

Élément	Description
Vidéo (réglage par défaut)	Excepté le cas où un PC est connecté, sélectionnez cette option
PC	Sélectionnez cette option quand un PC est connecté à la prise d'entrée HDMI

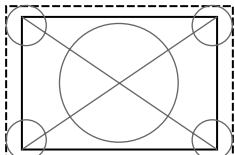
- 6 Appuyez sur HOME MENU pour quitter le menu.

Attention

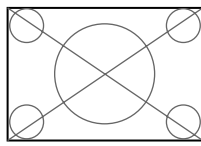
- Veillez à sélectionner "PC" quand un PC est connecté à la prise d'entrée HDMI.

Remarque

- En mode "Vidéo", l'image est "sur-balayée" (agrandie), et le mode est automatiquement commuté à "PC" quand des signaux de PC sont reçus.
- En mode "PC", l'image est affichée en plein écran pour une qualité optimale.



quand "Vidéo" est sélectionné (écran de taille "surbalayage")



quand "PC" est sélectionné (écran de taille "sousbalayage")

Pour spécifier le type des signaux vidéo numériques

- 1 Appuyez sur HOME MENU.
- 2 Sélectionnez "Options" (↑/↓ puis ENTER).
- 3 Sélectionnez "Entrée HDMI" (↑/↓ puis ENTER).
- 4 Sélectionnez "Vidéo" (↑/↓ puis ENTER).
- 5 Sélectionnez le type de signaux vidéo numériques (↑/↓ puis ENTER).
 - Si vous sélectionnez "Auto", l'appareil tente d'identifier les signaux vidéo numériques lorsqu'ils sont reçus.

Élément	Description
Auto (réglage par défaut)	Le signal d'entrée vidéo numérique est automatiquement identifié
Couleur-1	Signaux des composantes vidéo numériques (4:2:2) verrouillés
Couleur-2	Signaux des composantes vidéo numériques (4:4:4) verrouillés
Couleur-3	Signaux RVB numériques (16 à 235) verrouillés
Couleur-4	Signaux RVB numériques (0 à 255) verrouillés

- 6 Appuyez sur HOME MENU pour quitter le menu.

Remarque

- Si vous sélectionnez un paramètre autre que "Auto", effectuez un réglage qui donne des couleurs naturelles.
- Si aucune image n'apparaît, choisissez un autre type de signal vidéo numérique.
- Pour de plus amples détails concernant les types de signal vidéo numérique, reportez-vous au mode d'emploi qui accompagne l'appareil connecté.

Pour spécifier le type des signaux audio

Quand vous utilisez la prise HDMI INPUT 4 ou INPUT 5, sélectionnez la prise pour la source d'entrée souhaitée, puis procédez comme décrit ci-dessous pour spécifier le type de signaux audio.

- 1 Appuyez sur HOME MENU.
- 2 Sélectionnez "Options" (↑/↓ puis ENTER).
- 3 Sélectionnez "Entrée HDMI" (↑/↓ puis ENTER).
- 4 Sélectionnez "Audio" (↑/↓ puis ENTER).
- 5 Sélectionnez le type de signaux audio (↑/↓ puis ENTER).

- Si vous sélectionnez "Auto", l'appareil tente d'identifier les signaux audio lorsqu'ils sont reçus.

Élément	Description
Auto (réglage par défaut)	Le type des signaux d'entrée audio est automatiquement identifié
Numérique	Les signaux audio numériques sont acceptés
Analogique	Les signaux audio analogiques sont acceptés

- 6 Appuyez sur HOME MENU pour quitter le menu.

Remarque

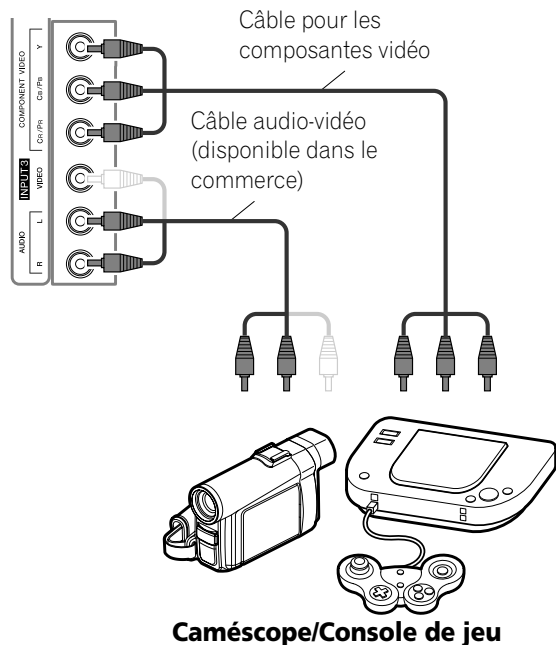
- Si aucun son n'est produit, sélectionner un autre type pour les signaux audio.
- Pour de plus amples détails concernant les types de signal audio, reportez-vous au mode d'emploi qui accompagne l'appareil connecté.
- Selon l'appareil connecté, il vous faut également des câbles pour les signaux audio analogiques.

Utilisation d'une console de jeu ou d'un caméscope

Connexion d'une console de jeu ou d'un caméscope

Utilisez la prise INPUT 3 pour connecter une console de jeu, un caméscope ou un autre appareil audiovisuel.

Écran plasma (vue du côté gauche)



Affichage des images d'une console de jeu ou d'un caméscope

Pour regarder les images provenant d'une console de jeu ou d'un caméscope, appuyez sur **INPUT 3** du boîtier de télécommande ou sur **INPUT** de l'écran plasma de manière à sélectionner "ENTRÉE 3".

Remarque

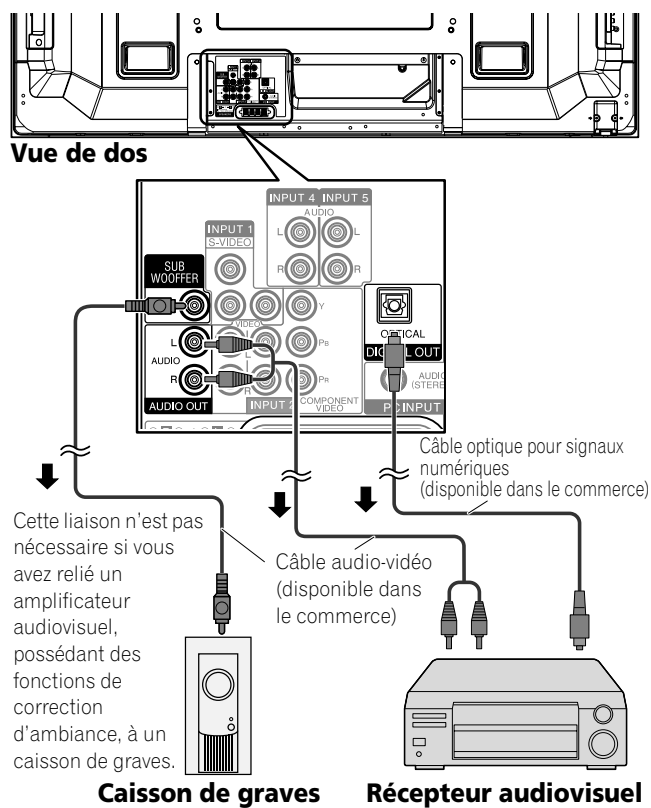
- Le contrôle de la connexion aux prises INPUT 3 se fait dans l'ordre 1) Vidéo composantes, 2) Vidéo. Utilisez la connexion souhaitée pour l'affichage.
- Ne connectez un appareil qu'aux prises qui seront effectivement utilisées.

Connexion d'autres appareils audio

La prise de sortie audio numérique (prise optique) de ce système peut fournir des signaux Dolby Digital. Au moyen d'un câble optique pour signaux numériques, connectez un récepteur audiovisuel à la prise de sortie audio numérique (prise optique) qui se trouve au dos de l'écran plasma. De cette manière, les signaux audio d'émission de télévision numérique peuvent être restitués avec une grande qualité.

Si le récepteur audiovisuel ne possède pas de prise d'entrée (prise optique) pour les signaux audio numériques, vous pouvez connecter les prises AUDIO OUT (AUDIO) du panneau arrière de l'écran plasma aux prises d'entrée du récepteur audiovisuel. Cependant, cette méthode peut entraîner un décalage entre les enceintes et la sortie AUDIO, qui peut être réduit en coupant les enceintes sur l'écran plasma. Néanmoins, il se peut que vous fassiez l'expérience d'un décalage entre le son et l'image.

Connexion d'un récepteur audiovisuel



Remarque

- Pour utiliser la prise de sortie (prise optique) des signaux audio numériques, il vous faut effectuer divers réglages qui dépendent du récepteur audiovisuel. Pour de plus amples détails, reportez-vous au mode d'emploi qui accompagne le récepteur audiovisuel.
- Pour de plus amples détails, reportez-vous au mode d'emploi du matériel audio à connecter.
- Les signaux audio synchronisés avec les images couramment affichées sont toujours sortis par les prises AUDIO OUT.
- Le son qui accompagne les images affichées à l'écran est toujours émis vers la prise de sortie SUBWOOFER.
- Quand des signaux sont entrés par les prises HDMI, aucun signal n'est sorti par la prise DIGITAL OUT.

Sélection du type de signal audio transmis par voie optique

Définissez la prise DIGITAL OUT (OPTICAL) en fonction du récepteur audiovisuel.

- 1 Appuyez sur HOME MENU.
- 2 Sélectionnez "Options" (↑/↓ puis ENTER).
- 3 Sélectionnez "Sortie audio numér." (↑/↓ puis ENTER).
- 4 Sélectionnez "Dolby Digital" ou "PCM" (↑/↓ puis ENTER).

Élément	Description
Dolby Digital (réglage par défaut)	Les signaux codés Dolby Digital sont disponibles en sortie au format Dolby Digital. Les signaux codés PCM sont disponibles en sortie au format PCM.
PCM	La sortie est toujours au format PCM quel que soit le type du signal

- 5 Appuyez sur HOME MENU pour quitter le menu.

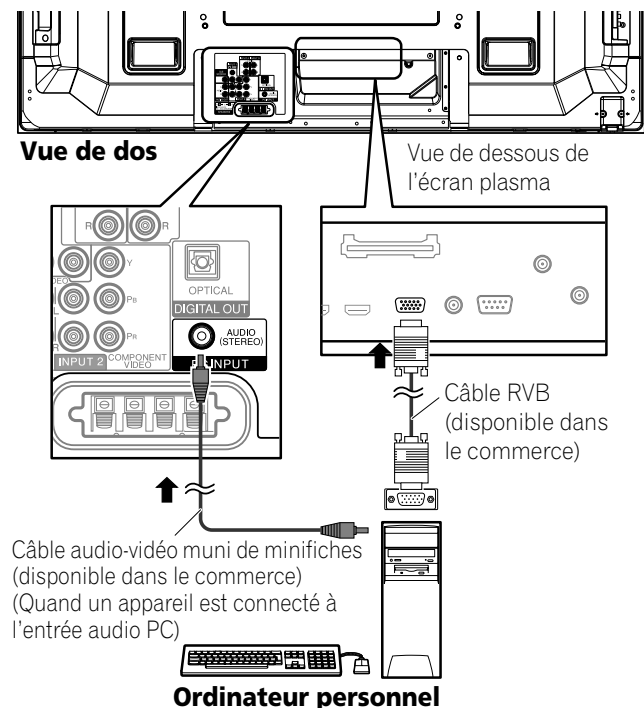
Affichage des images d'un ordinateur personnel

Connexion d'un ordinateur personnel

Utilisez les prises PC pour la connexion d'un ordinateur personnel.

Remarque

- Les prises d'entrée PC sont compatibles DDC2B.
- La possibilité d'être immédiatement prêt à l'emploi n'est pas assurée et dépend de l'ordinateur utilisé.



Affichage des images d'un ordinateur personnel

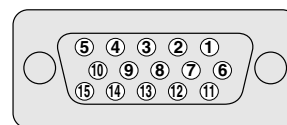
Quand un ordinateur personnel est connecté, le type de signal d'entrée est automatiquement identifié. Si les images de l'ordinateur personnel ne sont pas affichées clairement, il peut s'avérer nécessaire d'utiliser la configuration automatique. Voir page 66.

Pour afficher les images provenant de l'ordinateur personnel, appuyez sur **PC** du boîtier de télécommande ou sur **INPUT** de l'écran plasma de manière à sélectionner "PC".

Remarque

- Les prises PC ne peuvent pas être utilisées pour un appareil audiovisuel.

Bornage du connecteur mini D-sub à 15 broches



N° de broche	Nom du signal
1	R
2	G
3	B
4	Non connectée
5	Non connectée
6	GND (Masse)
7	GND (Masse)
8	GND (Masse)
9	+5 V
10	GND (Masse)
11	Non connectée
12	SDA
13	HD
14	VD
15	SCL

Tableau de compatibilité ordinateur

Résolution	Fréquence
720 x 400	70 Hz
640 x 480 (VGA)	60 Hz
800 x 600 (SVGA)	60 Hz
1280 x 720	60 Hz
1024 x 768 (XGA)	60 Hz
1360 x 768 (Wide-XGA)	60 Hz
1280 x 1024 (SXGA)	60 Hz

Connexion des câbles de commande

Connectez les câbles de commande entre l'écran plasma et les autres appareils PIONEER portant le logo **SR+**. Vous pouvez alors commander l'appareil connecté en envoyant les signaux émis par son boîtier de télécommande au capteur de télécommande de l'écran plasma.

Lorsque les prises CONTROL IN d'un appareil sont connectées à celui-ci, le capteur de télécommande de cet appareil n'accepte plus les ordres que peut lui adresser son boîtier de télécommande. Pour agir sur l'appareil connecté, dirigez son boîtier de télécommande vers le capteur de télécommande de l'écran plasma.

Remarque

- N'oubliez pas de mettre les appareils hors tension avant d'effectuer les connexions.
- Réalisez toutes les connexions entre appareils avant de vous occuper de celles qui concernent les câbles de commande.

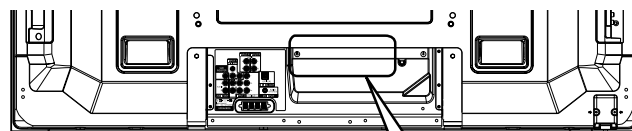
Quelques mots sur SR+

La prise CONTROL OUT située sur le panneau arrière de l'écran plasma est conforme à la spécification **SR+** qui permet une liaison fonctionnelle avec un récepteur audiovisuel Pioneer. **SR+** assure diverses fonctions telles que la sélection de l'entrée et l'affichage de la correction d'ambiance DSP. Pour de plus amples détails concernant cette question, veuillez consulter le mode d'emploi d'un récepteur audiovisuel Pioneer doté du système **SR+**.

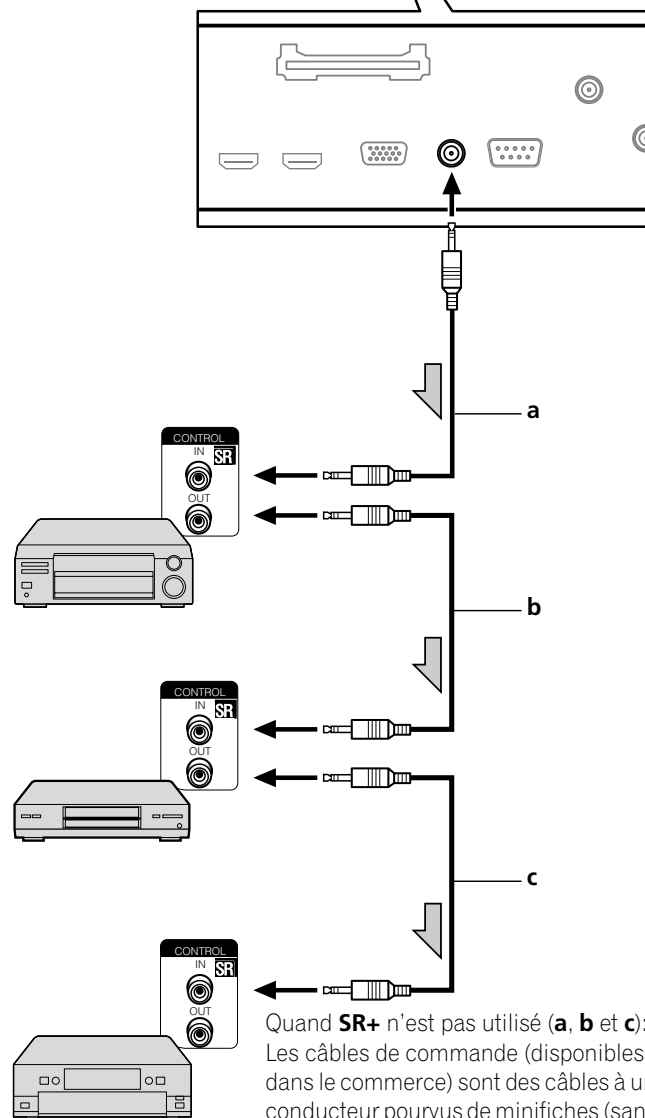
Remarque

- Pour les connexions de câble de commande, utilisez un câble **SR+**.
- Pour la connexion des câbles de commande avec un ou plusieurs appareils Pioneer, connectez directement l'écran plasma avec un amplificateur Pioneer prenant en charge **SR+**. Ne connectez aucun autre appareil entre eux.
- Quand l'appareil connecté est commandé en utilisant **SR+**, le niveau sonore de l'écran plasma est baissé temporairement.

Écran plasma



Vue de dos

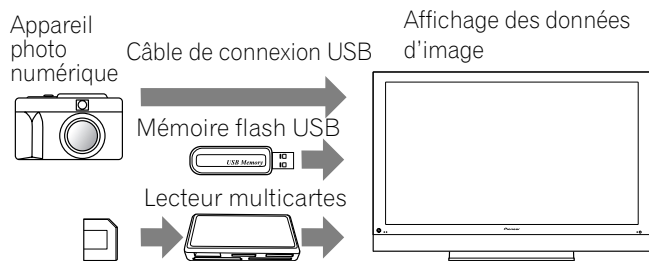


Quand **SR+** n'est pas utilisé (**a, b et c**): Les câbles de commande (disponibles dans le commerce) sont des câbles à un conducteur pourvus de minifiches (sans résistance).

Quand **SR+** est utilisé (**a**): Utiliser un câble **SR+** (disponible en option).

Utilisation de l'interface USB (Fonction Home Gallery)

Grâce à ce système, vous pouvez regarder des images JPEG qui ont été saisies au moyen d'un appareil photo numérique et enregistrées sur une carte mémoire. Vous pouvez aussi connecter votre appareil photo numérique directement à l'écran plasma en utilisant un câble de connexion USB.



Remarque

- Un seul appareil USB peut être connecté à la fois. Aucun concentrateur USB ne peut être connecté.
- Un appareil tel qu'une imprimante ou un clavier ne peut ni être connecté ni utilisé.

Cartes de mémoire lisibles

Ce système peut lire les cartes mémoire au format FAT12, FAT16, FAT32 ou VFAT.

Fichiers de données lisibles

Ce système ne peut lire que les fichiers JPEG présentant les caractéristiques suivantes:

- L'extension du fichier est JPG ou JPEG.
- Le format est JPEG 4:2:2 ou 4:2:0
- La définition de l'image doit être inférieure à 3264 pixels horizontalement et 2448 pixels verticalement.
- La définition de l'image doit être supérieure à 160 pixels horizontalement et 120 pixels verticalement.

Remarque

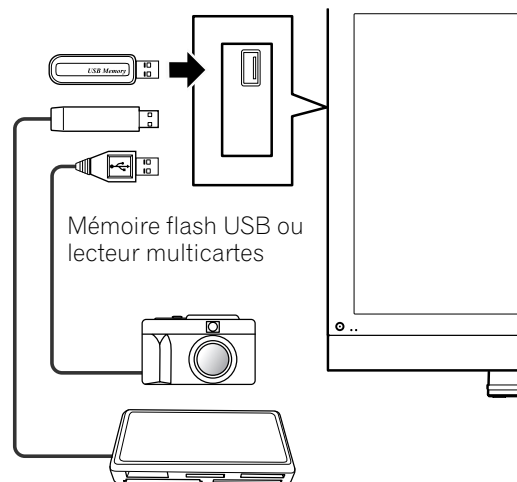
- Ce système peut être dans l'impossibilité d'afficher les images en raison de la nature de la carte mémoire ou de l'appareil photo.
- Le système peut être incapable d'afficher des images modifiées ou éditées grâce à un ordinateur personnel ou à un autre appareil.
- Ce système est conforme à la norme USB Mass Storage Class.

Connexion d'un appareil USB

Tenez le connecteur de l'appareil USB avec sa face supérieure dirigée sur le panneau avant, et insérez-le dans le port USB sur le côté de l'écran plasma.

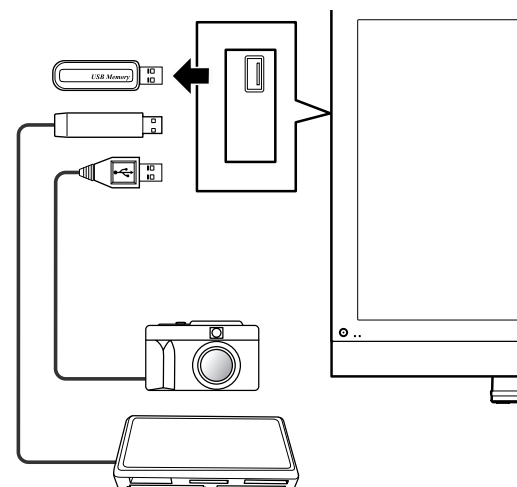
- Insérez le connecteur de l'appareil USB au maximum.
- Lors de l'utilisation du connecteur USB de votre appareil, connectez-le directement au port USB.

Côté de l'écran plasma



Déconnexion d'un appareil USB

Pour retirer le connecteur d'un appareil USB, quittez l'écran Home Gallery, puis retirez le connecteur.



Remarque

- Pour de plus ample détails sur les appareils connectables, consultez le site web de Pioneer: <http://www.pioneerelectronics.com>
- Veillez à quitter l'écran Home Gallery avant de retirer l'appareil USB. Si vous retirez l'appareil USB pendant que l'écran Home Gallery est affiché, les données à l'intérieur de la mémoire risquent d'être endommagées.
- N'insérez ni ne retirez l'appareil USB immédiatement après la mise en ou hors service du système. Cela peut provoquer l'endommagement des données qui se trouvent à l'intérieur de la mémoire.
- Ne mettez pas l'appareil photo numérique hors tension pendant que l'écran Home Gallery est affiché.

Affichage de la liste des appareils

Après avoir connecté un appareil USB, l'écran de la liste des appareils apparaît avec l'appareil en cours d'utilisation mis en surbrillance.

Lancement de l'écran Home Gallery initial





- 1 Appuyez sur HOME MENU.
- 2 Sélectionnez "Home Gallery" (↑/↓ puis ENTER).



- 3 Sélectionnez un appareil (↑/↓ puis ENTER).

Sélection d'un dossier

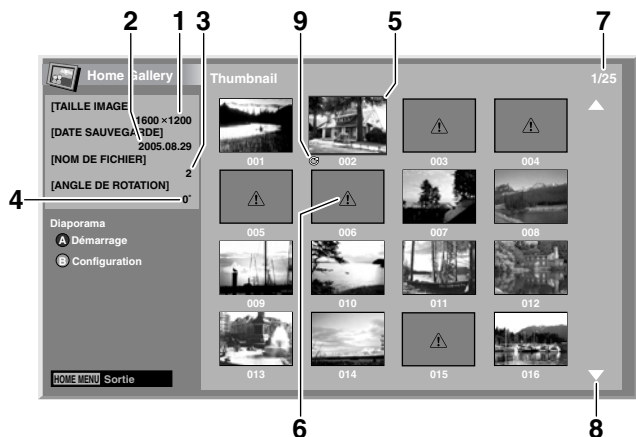
L'écran Home Gallery initial fournit la liste des dossiers que contient la carte mémoire. Différentes icônes sont utilisées, en fonction de la nature de chaque dossier.

-  — Désigne un dossier contenant un autre dossier.
-  — Désigne un dossier ne contenant aucun fichier image.
-  — Désigne un dossier contenant un ou plusieurs fichiers image.
-  — Désigne un ou plusieurs fichiers image enregistrés dans le répertoire racine.

Pour sélectionner le dossier désiré, utilisez ↑/↓ puis appuyez sur ENTER. Les images du dossier choisi sont affichées sous forme de vignettes.

Lancement d'un écran page de vignettes

Après avoir sélectionné un dossier sur l'écran Home Gallery initial, les images de ce dossier sont affichées sous forme de vignettes.



- ① Taille image
- ② Date sauvegarde
- ③ Nom de fichier
- ④ Angle de rotation
- ⑤ Curseur de sélection d'image
- ⑥ Apparaît quand l'image ne peut pas être lue.
- ⑦ Numéro du fichier sélectionné/nombre total d'images dans le dossier
- ⑧ Apparaît quand le dossier contient plus de 16 images.
- ⑨ Indique qu'une rotation de l'image a été effectuée.

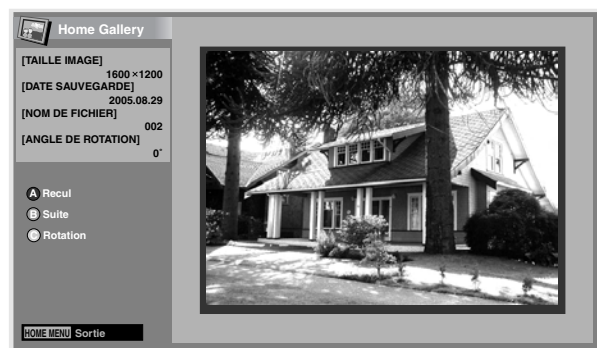
Utilisez ↑/↓ pour faire défiler l'écran.

Pour mettre en valeur une image, déplacez le curseur en utilisant ↑/↓ et ←/→. Les informations relatives à l'image mise en valeur s'affichent à la partie supérieure gauche de l'écran.

Pour quitter la fonction Home Gallery, appuyez sur HOME MENU.

Lancement d'un écran standard à une image

Un écran de vignettes étant affiché, utilisez ↑/↓ et ←/→ pour mettre en valeur une image puis appuyez sur ENTER. L'écran de vignettes se ferme et seule l'image sélectionnée est affichée.



L'écran ci-dessus étant affiché, vous pouvez utiliser les touches suivantes pour effectuer diverses opérations:

A BLEU:
Affiche l'image précédente en écran normal ou en plein écran.

B ROUGE:
Affiche l'image suivante en écran normal ou en plein écran.

C VERT:
L'image affichée est tournée dans le sens des aiguilles d'une montre. Chaque pression sur la touche permet de faire tourner l'image de 90°, 180°, puis 270°.

ENTER:
Chaque pression sur la touche effectuée effectue une commutation entre écran normal et plein écran.

HOME MENU:
Cette touche permet de quitter la fonction Home Gallery.

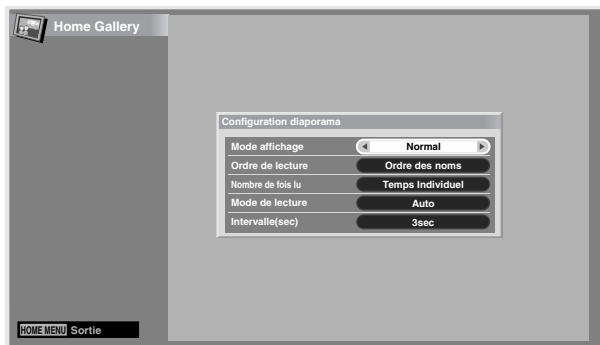
Remarque

- Veillez à ne pas afficher la même image pendant une longue période. Dans le cas contraire, cela pourrait causer un brûlage d'écran et donc une image rémanente.
- Les images inférieures à 1024 × 768 pixels sont affichées avec un entourage vide.

Lancement de l'écran de configuration de diaporama

L'écran de vignettes étant affiché, appuyez sur **ROUGE** lancer l'écran de configuration de diaporama qui affiche les images l'une après l'autre.

- 1 Sélectionnez "Mode affichage" (↑/↓).
- 2 Sélectionnez "Normal" ou "Plein" (←/→).
 - Si vous avez sélectionné "Plein", chaque image du diaporama occupe la totalité de l'écran.
- 3 Sélectionnez "Ordre de lecture" (↑/↓).
- 4 Sélectionnez "Ordre des noms" ou "Aléatoire" (←/→).
- 5 Sélectionnez "Nombre de fois lu" (↑/↓).
- 6 Sélectionnez "Temps individuel" ou "Boucle" (←/→).
 - Si vous avez sélectionné "Boucle", le diaporama se répète jusqu'à ce que vous appuyiez sur **RETURN**.
- 7 Sélectionnez "Mode de lecture" (↑/↓).
- 8 Sélectionnez "Auto" ou "Manuel" (←/→).
 - Si vous avez sélectionné "Auto", les images sont changées automatiquement aux intervalles spécifiés.
 - Quand "Manuel" est sélectionné, l'image précédente peut être affichée en appuyant sur **BLEU** et l'image suivante en appuyant sur **ROUGE**.



- 9 Si vous avez sélectionné "Auto" au cours de l'opération 8, utilisez ↑/↓ pour sélectionner "Intervalle(sec)" puis précisez la durée d'affichage de chaque image au moyen de ←/→.
 - Vous avez le choix entre 3 secondes, 5 secondes, 10 secondes, 20 secondes, 30 secondes, 60 secondes et 90 secondes.
- 10 Lancer l'écran du diaporama, appuyez sur **RETURN** pour afficher l'écran de vignettes puis appuyez sur **BLEU**.
 - Pour quitter la fonction Home Gallery, appuyez sur **HOME MENU**.

Remarque

- Si vous souhaitez afficher l'écran du diaporama pendant une période prolongée de temps, sélectionnez "PLEIN" pour le format de l'écran afin d'éviter une rémanence d'image sur l'écran.

Lancement du diaporama

Après avoir défini les paramètres du diaporama, vous pouvez le lancer et obtenir l'affichage des images, l'une après l'autre.

- 1 Pour afficher l'écran de diaporama, appuyez sur **BLEU** quand un écran de vignettes est affiché.
 - Si vous avez sélectionné "Auto" pour "Mode de lecture", les images sont changées automatiquement aux intervalles spécifiés.
 - Quand "Manuel" est sélectionné pour "Mode de lecture", appuyez sur **BLEU** pour afficher l'image précédente ou sur **ROUGE** pour afficher l'image suivante.
 - Tandis que les images sont automatiquement changées, vous pouvez arrêter cette opération pendant environ cinq minutes en appuyant sur **BLEU**. Pour reprendre le diaporama, maintenez de nouveau **BLEU** enfoncée.
- 2 À la fin du diaporama, appuyez sur **RETURN** pour rétablir l'écran de vignettes ou appuyez sur **HOME MENU** pour quitter la fonction Home Gallery.
- 3 Choisissez l'écran normal ou le plein écran en appuyant sur **ENTER**.
 - Chaque pression sur la touche effectue une commutation entre écran normal et plein écran.

Remarque

- Quand une pause est réalisée pendant un diaporama, l'écran passe automatiquement à l'image suivante après cinq minutes.
- Si aucune opération n'est réalisée pendant cinq minutes, la fonction Home Gallery est annulée automatiquement sauf quand l'écran du diaporama est affiché.

Chapitre 13

Utilisation de la commande HDMI

Utilisation des fonctions de la commande HDMI

Avec le boîtier de télécommande de l'écran plasma, vous pouvez actionner des appareils Pioneer tels qu'un enregistreur, un lecteur, ou un système AV, qui prennent en charge les fonctions de commande HDMI.

Les fonctions de commande HDMI comprennent la lecture de contenu en utilisant un panneau de commande affiché sur l'écran plasma. Pour plus de détails, voir le tableau ci-dessous.

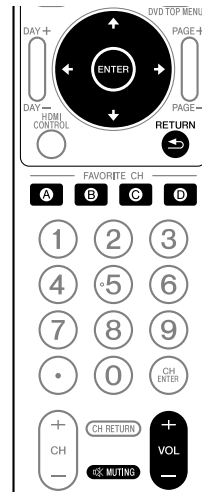


Remarque

- Le nombre maximum d'appareils qui peuvent être connectés et actionnés avec le boîtier de télécommande de l'écran plasma est comme suit: enregistreur x 2, lecteur x 2, système AV x 1.
- La totalité des opérations des appareils n'est pas toujours disponible pour les fonctions de la commande HDMI.

Fonctions de la commande HDMI

Fonction	Description	Appareils utilisables
Lecture de contenu	La source d'entrée adéquate est automatiquement sélectionnée et le contenu est lu sur l'écran plasma quand vous appuyez sur la touche de lecture de l'appareil connecté	Enregistreur/lecteur
Commande sur écran	L'enregistreur/lecteur peut être commandé sur écran ou avec le boîtier de télécommande de l'écran plasma (lecture, arrêt, avance/recul rapides, etc.)	Enregistreur/lecteur
Sélection de langue d'affichage	L'information sur la langue d'affichage de menu est transférée à l'enregistreur ou au lecteur connecté à l'écran plasma. Pour plus de détails, reportez-vous au mode d'emploi fourni avec l'enregistreur ou le lecteur.	Enregistreur/lecteur
Commande de système AV	Le récepteur/amplificateur peut aussi être actionné avec le boîtier de télécommande de l'écran plasma (volume, mode surround et sélection d'entrée de la prise HDMI)	Système AV
Mise en service	L'écran plasma peut être mis en service quand l'enregistreur ou le lecteur connecté est mis en service et que des images sont envoyées à l'écran plasma.	Enregistreur/lecteur
Mise hors service	L'appareil connecté peut être mis hors service en même temps que l'écran plasma	Enregistreur/lecteur/ système AV



- Appuyez sur **VOL +/-** ou pour régler le volume du système AV.
- Appuyez sur **↑, ↓, ←, →, ENTER, RETURN (↵)** ou sur les touches de couleur (**BLEU, ROUGE, JAUNE, VERT**) pour utiliser les fonctions telles que le navigateur disque sur l'enregistreur ou le lecteur connecté.

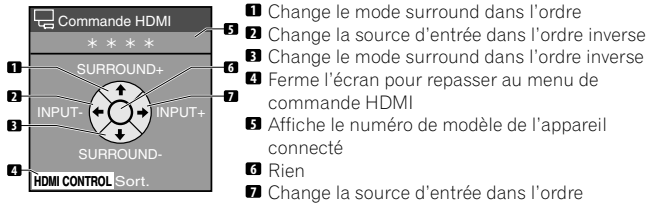


Remarque

- Lors de l'utilisation des fonctions de la commande HDMI, agissez sur le boîtier de télécommande en le dirigeant vers le capteur (**SRI**) qui est placé à la partie inférieure droite de la façade de l'écran plasma.
- Sauf pour les fonctions "Mise hors service" et "Sélection de langue d'affichage", vous ne pouvez pas utiliser simultanément plusieurs prises HDMI au dos de l'écran plasma.

Panneau de commande sur écran

Pour un système AV



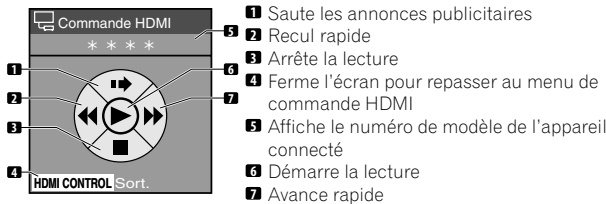
- 1 Change le mode surround dans l'ordre
- 2 Change la source d'entrée dans l'ordre inverse
- 3 Change le mode surround dans l'ordre inverse
- 4 Ferme l'écran pour repasser au menu de commande HDMI
- 5 Affiche le numéro de modèle de l'appareil connecté
- 6 Rien
- 7 Change la source d'entrée dans l'ordre

Appuyez sur **↑** ou **↓** du boîtier de télécommande de l'écran plasma pour changer le mode surround dans l'ordre ou dans l'ordre inverse, ou sur **←** ou **→** pour changer la source d'entrée dans l'ordre ou dans l'ordre inverse. Une pression sur **HDMI CONTROL** éteint l'écran de panneau de commande pour retourner au menu de commande HDMI.

Remarque

- Vous ne pouvez pas actionner l'enregistreur/le lecteur quand vous appuyez sur **←** ou **→** pour changer la source d'entrée pendant la marche. Pour reprendre l'opération, retournez au menu de commande HDMI et sélectionnez de nouveau la fonction souhaitée.

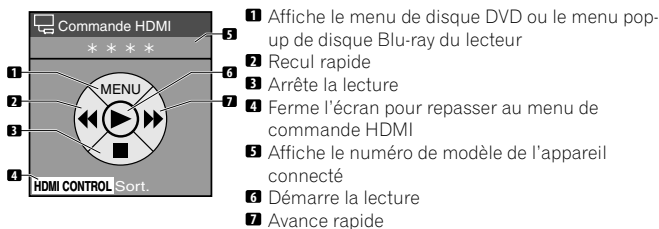
Pour un enregistreur



- 1 Saute les annonces publicitaires
- 2 Recul rapide
- 3 Arrête la lecture
- 4 Ferme l'écran pour repasser au menu de commande HDMI
- 5 Affiche le numéro de modèle de l'appareil connecté
- 6 Démarre la lecture
- 7 Avance rapide

Appuyez sur **←** ou **→** du boîtier de télécommande de l'écran plasma pour sélectionner le mode recul rapide ou avance rapide, sur **↑** pour sauter les annonces publicitaires ou sur **↓** pour arrêter la lecture. Une pression sur **ENTER** démarre la lecture et une pression sur **HDMI CONTROL** éteint l'écran de panneau de commande pour retourner au menu de commande HDMI.

Pour un lecteur



- 1 Affiche le menu de disque DVD ou le menu pop-up de disque Blu-ray du lecteur
- 2 Recul rapide
- 3 Arrête la lecture
- 4 Ferme l'écran pour repasser au menu de commande HDMI
- 5 Affiche le numéro de modèle de l'appareil connecté
- 6 Démarre la lecture
- 7 Avance rapide

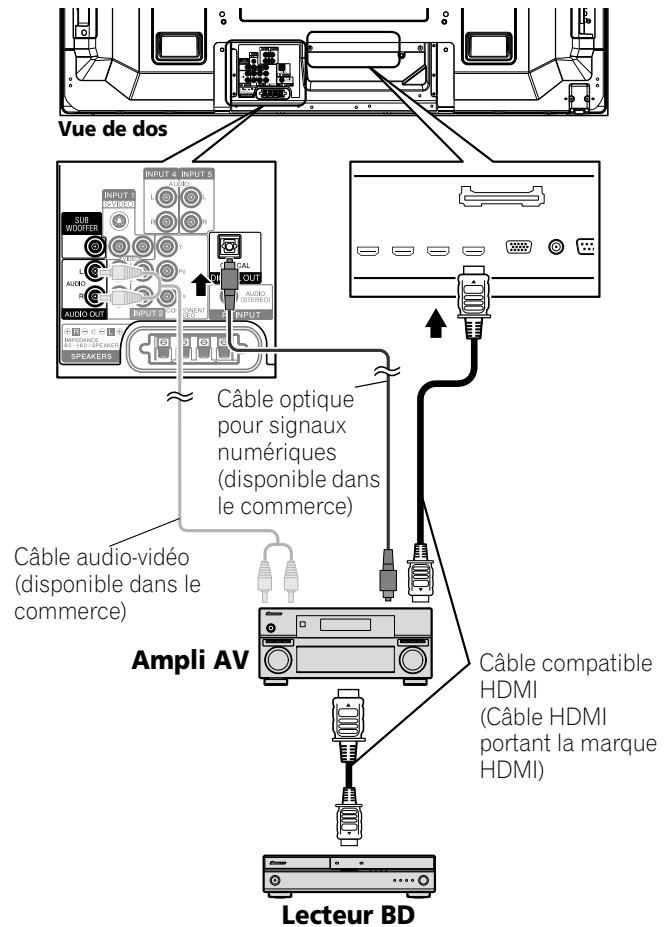
Appuyez sur **←** ou **→** du boîtier de télécommande de l'écran plasma pour sélectionner le mode recul rapide ou avance rapide, sur **↑** pour afficher le menu de disque DVD ou le menu pop-up de disque Blu-ray du lecteur, ou sur **↓** pour arrêter la lecture. Une pression sur **ENTER** démarre la lecture et une pression sur **HDMI CONTROL** éteint l'écran de panneau de commande pour retourner au menu de commande HDMI.

Connexions pour la commande HDMI

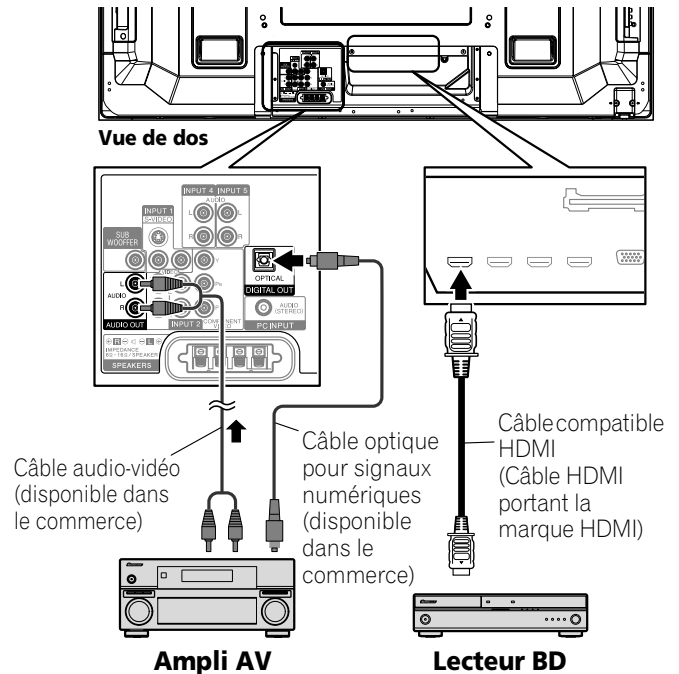
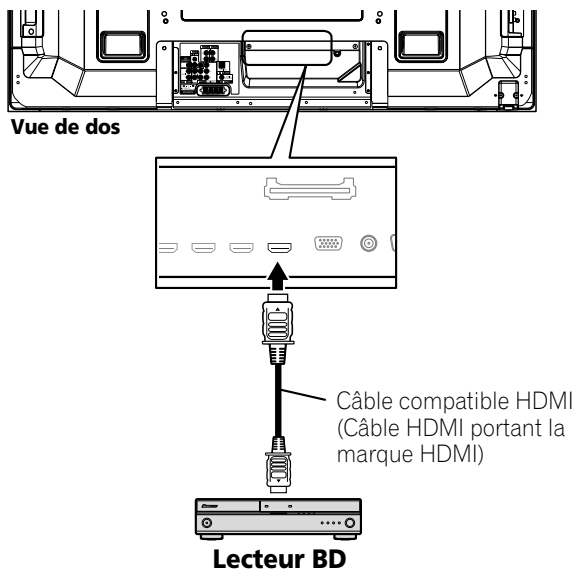
Quand vous faites des changements dans les connexions entre l'écran plasma et le matériel qui prend en charge les fonctions de commande HDMI ou les réglages pour "Rég. cmde HDMI", procédez de la façon suivante:

- 1 Mettez l'écran plasma et tous les appareils connectés en service.
- 2 Vérifiez que le réglage dans "Réglage entrée" pour "Rég. cmde HDMI" est correctement entré suivant les appareils connectés. Vérifiez aussi les réglages relatifs à Cmde HDMI dans les appareils connectés.
- 3 Passez aux prises d'entrée HDMI auxquelles les appareils sont connectés pour contrôler si le son et les images sont correctement sortis et affichés.
- 4 Faites un essai en mettant l'écran plasma hors service puis de nouveau en service.

Connexion d'un amplificateur AV/lecteur BD



Connexion d'un lecteur BD



Remarque

- Le nombre maximum d'appareils qui peuvent être connectés et actionnés avec le boîtier de télécommande de l'écran plasma est comme suit: enregistreur x 2, lecteur x 2, système AV x 1.
- Lors de la connexion d'un système AV, veillez à le mettre et à le connecter entre l'écran plasma et l'enregistreur ou le lecteur.
- Ne connectez pas un système AV qui ne prend pas en charge les fonctions de commande HDMI entre l'écran plasma et un enregistreur/lecteur, sinon les fonctions de commande HDMI ne fonctionneront pas correctement.
- Lors de la connexion d'un système AV qui ne prend pas en charge les fonctions de commande HDMI et un lecteur/enregistreur qui les prend en charge à l'écran plasma, connectez le système AV à la prise DIGITAL OUT et à la prise AUDIO OUT de l'écran plasma avec un câble numérique optique et un câble audio stéréo (disponibles dans le commerce), et le lecteur/enregistreur à la prise HDMI avec un câble compatible HDMI (voir l'illustration). Prière de noter que les signaux entrés par les prises HDMI ne seront pas sortis par la prise DIGITAL OUT.

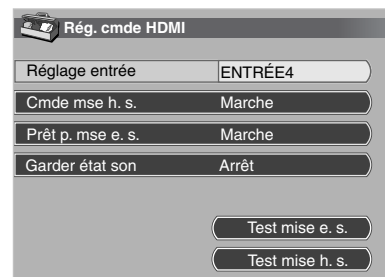
- Après avoir fait les connexions, entrez le réglage dans "Réglage entrée" pour "Rég. cmde HDMI". Veillez à ce que le réglage soit entré pour chaque prise d'entrée HDMI à laquelle un appareil est connecté.
- Des réglages dans les appareils connectés sont aussi nécessaires pour utiliser les fonctions de commande HDMI. Pour plus de détails, reportez-vous au mode d'emploi fourni avec les appareils connectés.
- Pour de plus amples informations sur les appareils qui prennent en charge les fonctions de commande HDMI, reportez-vous au site Web Pioneer (voir le dos de couverture).

Réglage de la commande HDMI

Sélection de la prise d'entrée

Afin de pouvoir utiliser les fonctions de commande HDMI, sélectionnez la prise HDMI à laquelle l'appareil externe est connecté.

- 1 Appuyez sur HOME MENU.
- 2 Sélectionnez "Options" (↑/↓ puis ENTER).
- 3 Sélectionnez "Rég. cmde HDMI" (↑/↓ puis ENTER).



- 4 Sélectionnez "Réglage entrée" (↑/↓ puis ENTER).
- 5 Sélectionnez "ENTRÉE4", "ENTRÉE5", "ENTRÉE6" ou "ENTRÉE7" (↑/↓ puis ENTER).

Seul l'appareil qui prend en charge la commande HDMI et qui est connecté via la prise d'entrée sélectionnée est disponible pour les fonctions de commande HDMI.

- 6 Appuyez sur HOME MENU pour quitter le menu.

Remarque

- Si vous avez sélectionné "Arrêt" à l'opération 5, un message "Opérations impossibles. Vérifiez le réglage de la commande HDMI" apparaît quand on appuie sur **HDMI CONTROL** du boîtier de télécommande.
- Si vous actionnez un appareil compatible HDMI en utilisant une prise HDMI autre que la prise sélectionnée dans "Réglage entrée", un mauvais fonctionnement peut se produire. Lors de la connexion à toute prise HDMI autre que la prise sélectionnée dans "Réglage entrée", veillez à entrer les réglages de l'appareil externe de manière que la fonction de commande HDMI soit inopérante.

Sélection de la commande de mise hors service

Vous pouvez sélectionner si l'appareil connecté est mis hors service en même temps que l'écran plasma. (Le réglage par défaut est "Marche")

- 1 Appuyez sur HOME MENU.
- 2 Sélectionnez "Options" (↑/↓ puis ENTER).
- 3 Sélectionnez "Rég. cmde HDMI" (↑/↓ puis ENTER).
- 4 Sélectionnez "Cmde mse h. s." (↑/↓ puis ENTER).
- 5 Sélectionnez "Marche" (↑/↓ puis ENTER).
- 6 Appuyez sur HOME MENU pour quitter le menu.

Remarque

- La fonction "Cmde mse h. s." est valide pour les appareils connectés à n'importe laquelle des prises HDMI au dos de l'écran plasma.

Sélection de la préparation de mise en service

Vous pouvez sélectionner si l'écran plasma est mis en service quand l'enregistreur ou le lecteur Pioneer connecté est mis en service et que des images sont envoyées à l'écran plasma. (Le réglage par défaut est "Marche")

- 1 Répétez les opérations 1 à 3 de *Sélection de la commande de mise hors service*.
- 2 Sélectionnez "Prêt p. mse e. s." (↑/↓ puis ENTER).
- 3 Sélectionnez "Marche" (↑/↓ puis ENTER).
- 4 Appuyez sur HOME MENU pour quitter le menu.

Sélection du maintien de l'état du son

Vous pouvez sélectionner si la fonction est gardée pour le système AV Pioneer connecté même si le système est mis en veille pendant les opérations de commande HDMI. (Le réglage par défaut est "Arrêt")

- 1 Répétez les opérations 1 à 3 de *Sélection de la commande de mise hors service*.
- 2 Sélectionnez "Garder état son" (↑/↓ puis ENTER).
- 3 Sélectionnez "Marche" (↑/↓ puis ENTER).
- 4 Appuyez sur HOME MENU pour quitter le menu.

Test de mise en/hors service

Vous pouvez contrôler si la fonction de mise en/hors service est effective entre l'écran plasma et l'appareil connecté.

- 1 Répétez les opérations 1 à 3 de *Sélection de la commande de mise hors service*.
- 2 Sélectionnez "Test mise e. s." ou "Test mise h. s." (↑/↓ puis ENTER).
Quand divers appareils sont connectés aux prises HDMI, une liste des appareils apparaît.
- 3 Sélectionnez l'appareil souhaité (↑/↓ puis ENTER).
- 4 Appuyez sur HOME MENU pour quitter le menu.

Remarque

- Les appareils pour lesquels le test de mise en/hors service peut être effectué sont ceux connectés aux prises HDMI comme établi dans "Réglage entrée".
- Si le test de mise en/hors service échoue, contrôler les connexions et réglages.

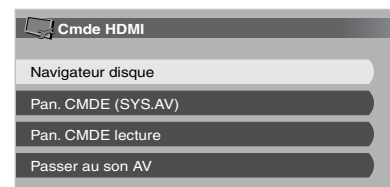
Utilisation des menus de commande HDMI

En sélectionnant et utilisant les menus de commande HDMI correspondants, vous pouvez utiliser diverses fonctions avec l'enregistreur, le lecteur ou le système AV Pioneer connecté qui prend en charge les fonctions de commande HDMI.

1 Appuyez sur HOME MENU.

2 Sélectionnez "Cmde HDMI" (↑/↓ puis ENTER).

Le menu de commande HDMI est affiché.

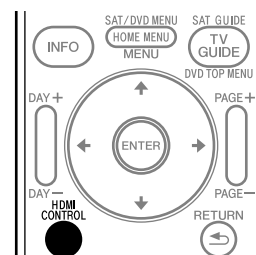


Menu Cmde HDMI

Élément	Description
Navigateur disque	Affiche une liste de titres de l'enregistreur ou du lecteur connecté
Pan. CMDE (SYS. AV)	Affiche, sur l'écran plasma, le panneau de commande pour le système AV connecté
Pan. CMDE lecture	Affiche, sur l'écran plasma, le panneau de commande pour l'enregistreur ou le lecteur connecté
Passer au son AV (Passer au son PDP)	Donne une commutation entre l'écran plasma et le système AV connecté sur lequel le son est sorti

Remarque

- Pour utiliser les fonctions de commande HDMI, un enregistreur, un lecteur ou un système AV Pioneer qui prend en charge ces fonctions est nécessaire.
- La totalité des opérations n'est pas toujours disponible pour les appareils connectés.
- Le menu de commande HDMI n'est pas sélectionnable quand "Arrêt" est sélectionné dans "Réglage entrée" pour le menu "Rég. cmde HDMI".
- Le menu Pan. CMDE (SYS. AV) est disponible seulement quand le son est sorti par le système AV.
- Le menu Pan. CMDE lecture est sélectionnable quand l'enregistreur ou le lecteur connecté est prêt pour l'utilisation.
- Vous pouvez aussi afficher le menu de commande HDMI en appuyant sur **HDMI CONTROL** du boîtier de télécommande de l'écran plasma.



Chapitre 14

Particularités du boîtier de télécommande

Préréglage des codes de fabricant pour commander d'autres appareils

Préréglage des codes de fabricant

- 1 Réglez le sélecteur de mode en fonction de l'appareil dont les ordres du boîtier de télécommande doivent être préréglés.
- 2 Appuyez en même temps sur EDIT et 1.
 - La diode clignote.
- 3 Utilisez les touches 0 à 9 pour taper le code du fabricant. Voir page 84.
 - Le préréglage est terminé lorsque la diode est éteinte.

Recherche bibliothèque

Dans le cas où vous ne connaissez pas le code pour un appareil cible particulier, vous pouvez faire défiler tous les codes disponibles pour le mode d'appareil sélectionné et essayer les fonctions pour chaque code jusqu'à ce que vous trouviez celui qui commande correctement l'appareil cible souhaité.

- 1 Réglez le sélecteur de mode en fonction de l'appareil dont les ordres du boîtier de télécommande doivent être préréglés.
- 2 Appuyez en même temps sur EDIT et 3.
 - Le témoin clignote et la télécommande entre en mode programmation par recherche dans la bibliothèque.
- 3 Appuyez sur SOURCE POWER, PLAY, 1 ou CH+ pour essayer le code sélectionné.
- 4 Si le code actuellement sélectionné n'est pas correct, appuyez sur \uparrow/\downarrow pour passer au code suivant ou retourner au code précédent et répétez l'étape 3.
- 5 Appuyez sur ENTER quand le code qui permet la commande correcte de l'appareil cible souhaité est trouvé.
 - Toutes les touches disponibles pour le mode sélectionné sont programmées. La télécommande retourne en mode de fonctionnement normal après que la diode témoin se soit allumée pendant une seconde pour confirmation.

Réinitialisation aux réglages de l'usine

Vous pouvez réinitialiser tous les codes appris et préréglés aux réglages par défaut quel que soit le mode.

- 1 Appuyez en même temps sur EDIT et POWER dans n'importe quelle position du sélecteur de mode.
 - Le témoin clignote et la télécommande entre en mode de réinitialisation aux réglages de l'usine.
- 2 Appuyez sur D.
 - La réinitialisation aux réglages de l'usine est terminée. Le témoin clignote pendant une seconde et la télécommande retourne en mode de fonctionnement normal.

 Remarque

- Pour quitter le préréglage avant qu'il ne soit terminé, appuyez de nouveau sur EDIT.
- Si la position du **Sélecteur de mode** est modifiée pendant le préréglage, celui-ci est abandonné.
- Si aucune opération n'est réalisée pendant plus d'une minute, le préréglage est abandonné.
- Si vous tapez un code de fabricant qui ne figure pas dans la liste, le témoin clignote rapidement.
- Le fabricant initial est "PIONEER".
- Certains appareils de la liste du tableau risquent de ne pas pouvoir être commandés, partiellement ou totalement, avec le boîtier de télécommande fourni.

Codes de programmation

CÂBLE

Marque	Codes	Marque	Codes	Marque	Codes	Marque	Codes
A-Mark	0008, 0144	Fosgate	0276	NSC	0012, 0637	Signature	0011
ABC	0237, 0003, 0008, 0014, 0011, 0017	GE	0144, 0021	Oak	0017	Sony	1006, 1506, 1606
Accuphase	0003, 0014, 0011, 0017	General Instrument	0476, 0810, 0276, 0003, 0012, 0014, 0011	Optimus	0021	Sprucer	0144, 0021
Acorn	0237	Gibraltar	0003	Pace	1877, 0877, 0237, 0008	Starcom	0003, 0014
Action	0237	Global	1327	Panasonic	0000, 0008, 0144, 0107, 0021	Stargate	0014
Active	0237	GMI	0883	Panther	0637	Storm	0637
Americast	0899	GoldStar	0144	Paragon	0000, 0008, 0525	Supercable	0276
Amino	1602, 1822	Hamlin	0009, 0273	Penney	0000, 0637	Supermax	0883
Archer	0237, 0260	Hitachi	0003, 0008, 0009, 0011, 0154	Philips	1305, 0317	Thomson	1256
BCC	0276	Houston	0011	Pioneer	1877, 0877, 0144, 0533, 0023, 0260, 1021	Tocom	0012
Bell & Howell	0014	i3 Micro	1602	Prism	0012	Torx	0003
Bell South	0899	Insight	0476, 0810	Pulsar	0000	Toshiba	0000
British Telecom	0003	Jebsee	0014	Quasar	0000	Tristar	0883
Century	0008	Jerrold	0476, 0810, 0276, 0003, 0012, 0014, 0011	RadioShack	0883	United Cable	0276, 0003, 0014, 0011
Citation	0017	Memorex	0000	RCA	1256, 0021	US Electronics	0276, 0003, 0008, 0017
Clearmaster	0883	Mitsubishi	0003	Regal	0276, 0279, 0273	V2	0883
ClearMax	0883	Motorola	1376, 0476, 0810, 0276, 1187, 1254, 0014, 1106	Rembrandt	0011	Videoway	0000
Cleartron	1327	Multitech	0883	Runco	0000	Viewmaster	0883
Cool Box	0883	Myrio	1602, 1822	Samsung	0003, 0144, 0023	ViewmaxPro	1544
Coolmax	0883	Nova Vision	0008	Scientific Atlanta	1877, 0877, 0477, 0237, 0003, 0000, 0008, 0012, 0017, 0021	Vision	0883
Digeo	1187	Novaplex	0008, 0017	Sejin	1602	Vortex View	0883
Digi	0637			Signal	0011	Zenith	0000, 0525, 0899, 0017
Director	0476						
Dumont	0637						
Emerson	0014						

SATELLITE

Marque	Codes	Marque	Codes	Marque	Codes	Marque	Codes
A-Mark	0210	GE	0392, 0566	MegaSat	1551	Realistic	0052
AlphaStar	0772	General Instrument	0869	Memorex	0724, 0269	Samsung	1377, 1142, 1276, 1108, 1109, 1442, 1609
Amino	1615	GOI	0775, 1775	Mitsubishi	0749	Sanyo	1219
Bell ExpressVu	0775	Goodmans	1246	Motorola	0869, 0856	SKY	0856, 0099
Channel Master	0212	Hisense	1535	NEC	0178, 1270	Sony	0639, 1639, 1640
Chaparral	0053, 0209, 0216	Hitachi	0749, 0819, 1250	Netsat	0099	Star Choice	0869
Crossdigital	1109	Homecable	0238	Next Level	0869	Star Trak	0772, 0869, 0180
DirecTV	1377, 0392, 0566, 0639, 1639, 1142, 0247, 0749, 1749, 0724, 0819, 1856, 1076, 1108, 0099, 1109, 1392, 1414, 1442, 1443, 1444, 1538, 1609, 1640	Houston	0775, 0280	Optimus	0724	STS	0210
		HTS	0775, 0280, 1775	Panasonic	0247, 0701, 0152	Thomson	0392, 0566
		Hughes Network Systems	1142, 0749, 1749, 1442, 1443, 1444, 1538	Pansat	0647, 1551, 1807	Tivo	1142, 1442, 1443, 1444, 1538
		Humax	1790	Paysat	0724	Toshiba	0749, 1749, 0790, 0819, 0082, 1285
		iLo	1535	Philips	1142, 0749, 1749, 0775, 0724, 0819, 1076, 0722, 0099, 1442		
		Innova	0099				
		IQ	0210				
Dish Network System	1505, 1005, 0775, 1170, 1775	IQ Prism	0210	Pioneer	1142, 0329, 1442	UltimateTV	1392, 1640
		Janeil	0152	Primestar	0869	Uniden	0724, 0722, 0052, 0074, 0238
Dishpro	1505, 1005, 0775, 1775	Jerrold	0869	Proscan	0392, 0566	US Digital	1535
Echostar	1505, 1005, 0775, 0159, 0269, 0280, 1170, 1775	JVC	0775, 1170, 1775	Proton	1535	USDTV	1535
		King Viper	0210	RadioShack	0566, 0775, 0869, 0052, 0269	Voom	0869
		Legend	0269			Zenith	0856, 1856, 1810
Expressvu	0775, 1775	LG	1226, 1414	RCA	0392, 0566, 1142, 0775, 0855, 0143, 1392, 1442		
Fortec Star	1550	Magnavox	0724, 0722				
Funai	1377	McIntosh	0869				

Magnétoscope

Marque	Codes	Marque	Codes	Marque	Codes	Marque	Codes
A-Mark	0037, 0240, 0000, 0278, 0046	CyberPower	1972	Headquarter	0046	Memorex	0035, 0162, 0037, 0048, 0039, 0047, 0240, 0000, 0104, 0209, 0072, 0278, 0062, 0054, 0046, 0307, 0479, 1037, 1162, 1262
ABS	1972	Daewoo	0037, 0045, 0278, 0020, 0046, 0561, 1137	Hewlett Packard	1972		
Admiral	0060, 0048, 0039, 0047, 0104, 0209, 0020, 0062, 0065, 0479	Daytron	0037, 0278, 0020	HI-Q	0035, 0047, 0000		
Adventura	0037, 0240, 0000	Dell	1972	Hitachi	0035, 0037, 0045, 0000, 0042, 0041, 0065, 0082, 0089, 0105, 0166, 0235, 0292		
Adyson	0072	Denon	0081, 0042				
Aiko	0278	Derwent	0041	Howard Computers	1972	Metz	0037
Aiwa	0037, 0000, 0124, 0307, 1137	DirecTV	0739	HP	1972	MGA	0060, 0240, 0043, 0061
Akai	0041, 0061, 0106, 0175, 0242	Dual	0000	Hughes Network Systems	0042, 0739	MGN Technology	0240
Alba	0209, 0072, 0278	Dumont	0040			Microsoft	1972
Alienware	1972	Durabrand	0039, 0038	Humax	0739	Midland	0240
Allegro	0039, 1137	Dynatech	0240, 0000	Hush	1972	Mind	1972
America Action	0278	Electrohome	0060, 0037, 0240, 0000, 0043, 0209, 0061	Hytek	0047, 0000, 0072	Minolta	0042, 0105
American High	0035, 0081	Electroponic	0037	iBUYPOWER	1972	Mitsubishi	0060, 0048, 0047, 0000, 0042, 0067, 0043, 0041, 0061, 0075, 0173, 0214, 0242, 0443
Amstrad	0000	Emerald	0184, 0121	ITT Nokia	0240, 0041		
Anam National	0226	Emerex	0032	Janeil	0240	Motorola	0035, 0048
Asha	0240	Emerson	0037, 0184, 0240, 0000, 0121, 0043, 0209, 0002, 0278, 0202, 0208, 0061, 0212, 0378, 0479, 0561, 0593, 1593	Jensen	0067, 0041	Movie Walker	0072
Astra	0035, 0240			JVC	0067, 0041, 0008, 0058, 0061, 0206, 0207, 0235, 1162, 1707	MTC	0240, 0000, 0072
Audio-Technica	0058			KEC	0037, 0278	MTX	0000
Audiovox	0037, 0278, 0038, 0054	ESA	1137	Kenwood	0067, 0041, 0038, 0046	Multitech	0039, 0000, 0072
Avis	0000, 0072	EverFocus	1346	KLH	0072	NAD	0240, 0104, 0058
Beaumark	0240	Fisher	0039, 0047, 0000, 0104, 0046, 0054	Kodak	0035, 0037	NEC	0104, 0067, 0041, 0038, 0040, 0050, 0082, 0457
Bell & Howell	0035, 0048, 0039, 0000, 0104, 0046, 0479	Fuji	0035, 0033	KTV	0000		
Broksonic	0184, 0121, 0209, 0002, 0208, 0479, 1815	Fujitsu	0000	LG	0037, 0240, 0038, 1037, 1137	New Tech	0072
Calix	0037	Funai	0037, 0000, 0072, 0278, 0593, 1593	Linksys	1972	Nikko	0037, 0278
Candle	0037, 0038	Garrard	0000	Lloyd's	0240, 0000, 0072, 0038, 0040, 0208	Nikkodo	0037, 0278
Canon	0035, 0034	Gateway	1195, 1196, 1972	Loewe	0081	Nikon	0034
Capehart	0002, 0020, 0062	GE	0060, 0035, 0048, 0240, 0000, 0149, 0065, 0077, 0202, 0760, 0761	Logik	0240, 0000, 0072, 0011	Nishi	0240
Carrera	0240			Lumatron	0278	Niveus Media	1972
Carver	0035, 0081			Luxor	0046, 0106	Noblex	0240
CCE	0072, 0278			LXI	0037, 0000, 0042, 0067, 0054	Northgate	1972
Cineral	0278	Gemini	0060	M Electronic	0240	Olympus	0035, 0162, 0104, 0226
CineVision	1137	Genexa	0037, 0000, 0278	Magnasonic	0037, 0240, 0000, 0072, 0278, 0020, 0082, 0593	Onkyo	0222
Citizen	0035, 0037, 0240, 0000, 0209, 0278, 0479	Go Video	0240, 0432, 0526, 0614, 0663, 1137, 1150			Optimus	1062, 0035, 0162, 0037, 0048, 0047, 0240, 0000, 0104, 0062, 0058, 0432, 0593, 1048, 0054, 1162, 1262
Classic	0037	GoldStar	0035, 0037, 0039, 0000, 0278, 0038, 0054, 1137	Magnavox	0035, 0037, 0048, 0039, 0081, 0240, 0000, 0149, 0011, 0054, 0226, 0563, 0593, 0618, 1593		
Colorlyme	0060, 0035, 0045, 0278	Goodmans	0037, 0081, 0000, 0072, 0278, 0020, 0062			Optonica	0062
Colt	0000, 0072	Gradiente	0000, 0008	Magnin	0240	Orion	0184, 0240, 0000, 0104, 0121, 0209, 0002, 0278, 0208, 0479
Craig	0037, 0047, 0240, 0072, 0271	Granada	0081, 0042, 0011	Marantz	0035, 0081, 0038, 0062	Panama	0035
Criterion	0000, 0072	Grundig	0081, 0034, 0226	Marta	0037		
Crosley	0035, 0081, 0000, 0149	Harley Davidson	0000	Matsui	0037, 0209		
Crown	0072, 0278	Harman/Kardon	0081, 0038, 0075	Matsushita	0035, 0162, 0081, 1162		
Curtis Matthes	0060, 0035, 0162, 0240, 0000, 0041, 0278, 0432, 0760	Harvard	0072	Media Center PC	1972		
Cybernex	0240	Harwood	0072	MEI	0035		

VCR

Marque	Codes	Marque	Codes	Marque	Codes	Marque	Codes
Panasonic	1062, 0035, 0162, 0000, 0020, 0077, 0225, 0226, 0227, 0246, 0378, 0614, 0616, 1162, 1262	Realistic	0035, 0162, 0037, 0048, 0047, 0240, 0000, 0104, 0121, 0278, 0046, 0062, 0065, 1162	Sonographe	0046	Trix	0037
				Sony	0035, 0047, 0032, 0033, 0000, 0067, 0034, 0046, 0022, 0011, 0226, 0275, 0636, 1032, 1546, 1702, 1703, 1896, 1972	Ultra	0045, 0278, 0020
						Unitech	0240
Penney	0035, 0162, 0037, 0047, 0081, 0240, 0000, 0042, 0067, 0038, 0040, 0054, 0077	ReplayTV	0614, 0616	Soundmaster	0000	Vector	0045
		Ricavision	1972		Vector Research	0184, 0038, 0040	
		Ricoh	0034		Vextra	0072	
		Rio	1137		Victor	0067, 0041, 0008	
Pentax	0042, 0065, 0105	Runco	0039	STS	0042, 0105	Video Concepts	0045, 0040, 0061, 0210, 0242
Philco	0035, 0081, 0000, 0209, 0479	Salora	0075	SV2000	0000, 0072	Videomagic	0037
		Samsung	0060, 0240, 0045, 0000, 0038, 0077, 0432, 0739	SVA	0000	Videosonic	0240, 0000, 0072
Philips	0035, 0162, 0048, 0081, 0045, 0000, 0209, 0034, 0062, 0616, 0618, 0739, 1081, 1181, 1266			Sylvania	0035, 0081, 0000, 0043, 0593, 1593	Viewsonic	1972
Samtron		0240	Symphonic	0240, 0000, 0002, 0593, 1593	Villain	0000	
					Voodoo	1972	
Sanky		0048, 0039	Systemax	1972	Wards	0060, 0035, 0037, 0048, 0047, 0081, 0033, 0240, 0045, 0000, 0042, 0043, 0041, 0072, 0038, 0149, 0046, 0058, 0062, 0065, 0011, 0212, 0479, 0760	
							Sansui
Pilot		0037	Sanyo	0047, 0240, 0000, 0104, 0046, 0159, 0372, 0479	Tatung	0048, 0081, 0000, 0067, 0041, 0008	
Pioneer	0162, 0081, 0042, 0067, 0058, 0168, 1337	Scientific Atlanta	0008	Technics	0035, 0162, 0037, 0000, 0246	Wharfedale	0593
Polk Audio	0081	Scott	0184, 0045, 0121, 0043, 0208, 0210, 0212	Teknika	0035, 0037, 0000	White Westinghouse	0000, 0209, 0072, 0278, 0479
Portland	0278, 0020	Sears	0060, 0035, 0162, 0037, 0048, 0039, 0047, 0033, 0045, 0000, 0042, 0104, 0067, 0043, 0209, 0041, 0072, 0046, 0034, 0054, 0057, 0058, 0011, 0065, 0105	Telecorder	0240	World	0209, 0002, 0479
Presidian	1593	Sensory Science	1155	Telefunken	0041, 0208	XR-1000	0035, 0240, 0000, 0072, 0208
Profitronic	0240			Tevion	0479	Yamaha	0041, 0038
Proscan	0060, 0202, 0760, 0761			Thomas	0000, 0002	Zenith	0037, 0039, 0033, 0000, 0209, 0041, 0278, 0011, 0034, 0479, 1137, 1139
Protec	0000, 0072			Thomson	0060, 0041, 0202	ZT Group	1972
Protech	0072			Tisonic	0278		
Pulsar	0039, 0240, 0278			Tivo	0618, 0636, 0739, 1337, 1996		
Pulser	0240			TMK	0240, 0000, 0208		
Quarter	0046			TNIX	0037		
Quartz	0035, 0047, 0046			Tocom	0240		
Quasar	0035, 0162, 0002, 0077, 0226, 1162			Toshiba	0240, 0045, 0000, 0043, 0209, 0041, 0054, 0057, 0062, 0210, 0212, 0366, 1008, 1972, 1996		
RadioShack	0035, 0162, 0037, 0048, 0047, 0240, 0000, 0104, 0046, 0062, 1037, 1162	Sharp	0048, 0047, 0032, 0000, 0062, 0065, 0848	Tosonic	0278		
Radix		0037	Totevision	0037, 0240			
Randex		0037	Touch	1972			
RCA	0060, 0035, 0048, 0240, 0045, 0000, 0042, 0149, 0880, 0761, 0760, 0202, 0166, 0106, 0105, 0077, 0065, 0058, 0054	Shogun	0240				
		Siemens	0037, 0104				
		Signature	0060, 0035, 0037, 0048, 0000, 0149, 0046, 0065, 0479				
		Singer	0037, 0240, 0072				
		Sonic Blue	0614, 0616, 1137				

Magnétoscope numérique

Marque	Codes	Marque	Codes	Marque	Codes	Marque	Codes
ABS	1972	HP	1972	Niveus Media	1972	Stack 9	1972
Alienware	1972	Hughes Network Systems	0739	Northgate	1972	Systemax	1972
CyberPower	1972			Panasonic	0614, 0616	Tagar Systems	1972
Dell	1972	Humax	0739	Philips	0618, 0739	Tivo	0618, 0636, 0739, 1337
DirecTV	0739	Hush	1972	Pioneer	1337	Toshiba	1008, 1972, 1996
EverFocus	1346	iBUYPOWER	1972	RCA	0880	Touch	1972
Gateway	1195, 1196, 1972	Linksys	1972	ReplayTV	0614, 0616	Viewsonic	1972
Go Video	0614	Media Center PC	1972	Samsung	0739	Voodoo	1972
Hewlett Packard	1972	Microsoft	1972	Sonic Blue	0614, 0616	ZT Group	1972
Howard Computers	1972	Mind	1972	Sony	0636, 1972		

DVD

Marque	Codes	Marque	Codes	Marque	Codes	Marque	Codes
3D LAB	0503, 0539	CAVS	1057	Enterprise	0591	Kawasaki	0790
Accurian	1072, 1416, 1737	Celestial	1020	Entivo	0503, 0539	Kenwood	0490, 0534, 0682, 0737
Acoustic Solutions	0730	Centrex	0672, 1004	Enzer	0770	KLH	0717, 0790, 1020, 1149
Adcom	1094	Centrios	1577	ESA	1443	Kloss	0533
Afreey	0698	Cinea	0831	Firstline	0651	Konka	0711, 0721
Aiwa	0641	CineVision	0876, 0833, 0869	Fisher	0670	Koss	0651, 0769, 0896, 1061, 1423
Akai	0695, 0705, 0770, 1089	Citizen	1003, 0695, 1277	Funai	0675, 1334		
Alba	0672, 0717	Clairtone	0571	Gateway	1073, 1077, 1158, 1194	Kreisen	1421
Alco	0790	Coby	0778, 0852, 1077, 1086, 1107, 1165, 1177, 1351	GE	0522, 0815, 0717	Krell	1498
Allegro	0869		Go Video	0573, 0744, 0717, 1730, 1443, 1304, 1158, 1148, 1144, 1099, 1075, 1044, 0869, 0833, 0783, 0741, 0715			Lafayette
Amphion Media Works	0872, 1245	Craig	0831			Landel	0826
AMW	0872, 1245	Creative	0503, 0539			Lasonic	0627, 0798, 1173, 1747
Apex Digital	0533, 0672, 0717, 0755, 0794, 0796, 0797, 1004, 1020, 1056, 1061, 1100	Curtis Mathes	1087			Lecson	1533
		CyberHome	0816, 0874, 1017, 1019, 1023, 1024, 1117, 1129, 1502, 1537			Lenox	1127
Arcam	0732			Go Vision	1071, 1072	LG	0591, 0741, 0801, 0869
Arrgo	1023			GoldStar	0741, 0801, 0869	LiteOn	1058, 1158, 1416, 1440, 1656
Aspire Digital	0594, 1168, 1407	Cytron	0705	Goodmans	0790	Loewe	0511, 0741
Astar	1489, 1494, 1678, 1679	Daewoo	0784, 0705, 0770, 0833, 0869, 1169, 1172, 1234, 1242, 1441, 1443	GPX	0699, 0769	Logix	0783
Audiologic	0736			Gradiente	0490, 0651	Magnasonic	0651, 0675
Audiovox	0717, 0790, 1041, 1071, 1072	Dansai	0770	Greenhill	0717	Magnavox	0503, 0539, 0646, 0675, 1506
		Daytek	0872	Grundig	0539, 0705		
Awa	0730	Decca	0770	Harman/Kardon	0582, 0702	Malata	0782, 1159
Axion	1071, 1072	Denon	0490, 0634	Hitachi	0573, 0664	Marantz	0503, 0539, 0675
B & K	0655, 0662	Denver	0778	Hiteker	0672	McIntosh	1533, 1273, 1373
BBK	1224	Desay	1407, 1455	Humax	1588	Medion	0651
Bel Canto Design	1571	Diamond Vision	1316	iLo	1348	Memorex	0690, 0695, 0831, 1270
Blaupunkt	0717	Digitrex	0672	Initial	0717	Microsoft	0522, 1708
Blue Parade	0571	Digix	1272	Innovative Technology	1542	Minato	0752
Blue Sky	0695, 0699	Disney	0675, 1270	INOi	1747	Mintek	0839, 0717
Brandt	0651	DiViDo	0705	Integra	0571, 0627	Mitsubishi	1521, 0521
Broksonic	0695, 1419	Dual	0675, 1068, 1085	IRT	0783	MixSonic	1130, 1611
Bush	0690	Durabrand	1127	Jaton	1078	Momitsu	1082
California Audio Labs	0490	DVD2000	0521	JBL	0702	Mustek	0730
Cambridge Audio	1471	Electrohome	1003	JMB	0695	Myryad	0894
Cambridge Soundworks	0690	Elita	0690	JSI	1423	NAD	0591, 0692, 0741
Cary Audio Design	1477	Emerson	0591, 0675	JVC	0558, 0623, 0867, 1164, 1275, 1550, 1602	Naiko	0770
				jWin	1049, 1051, 1469, 1675	Nakamichi	1222
						NEC	0785, 0869

DVD

Marque	Codes	Marque	Codes	Marque	Codes	Marque	Codes
Nesa	0717	Presidian	0675, 1072	Schwaiger	0752	Tevion	0651
NeuNeo	0509	Primare	0886, 1467, 1618	Sensory Science	1158	Theta Digital	0571
Next Base	0826	Princeton	0674	Sharp	0630, 0675, 0752, 1256	Thomson	0522, 0511
NexxTech	1402	Proceed	0672	Sharper Image	1117	Tivo	1588
Nintaus	1051	Proscan	0522	Sherwood	0633, 0770, 1043, 1077	Toshiba	0503, 0573, 0539, 0695, 1154, 1588, 1608, 1769
Norcent	1003, 0872, 1107, 1265, 1457	Prosonic	0699	Shinsonic	0533, 0839		
Onkyo	0503, 0627, 0792	ProVision	0778	Sigma Designs	0674		
Oppo	0575, 1224, 1525	Qwestar	0651	Slim Art	0784	Tredex	0799, 0800, 0803, 0804
Optimus	0571	Radionette	0741	SM Electronic	0690, 0730	Unimax	0770
OptoMedia Electronics	0896	RadioShack	0571	Sonic Blue	0573, 0715, 0783, 0869, 1099	United	0730
Oritron	0651	RCA	0522, 0571, 0717, 0790, 0822	Sony	0533, 1533, 0864, 1017, 1033, 1069, 1070, 1431, 1432, 1433, 1548	Universum	0591
Palsonic	0672, 0852	Realistic	0571	Sungale	1074, 1342, 1532	Urban Concepts	0503, 0539
Panasonic	0503, 0490, 0571, 0632, 0703, 1010, 1011, 1762	REALmagic	0674	SVA	0717, 0860, 1105	US Logic	0839
Philco	0690	Reoc	0752	Sylvania	0675	V	1064, 1226
Philips	0503, 0539, 0646, 0675, 1267, 1354, 1846	Revoy	0699	Symphonic	0675, 1334	Venturer	0790
Phonotrend	0699	Rio	0869	Sungale	1074, 1342, 1532	Vialta	1509
PianoDisc	1024	RJTech	0118, 1360	SVA	0717, 0860, 1105	Vizio	1064, 1226
Pioneer	0525, 0571, 0142, 0631, 0632, 1475, 1476, 1571	Rotel	0623, 1178	Sylvania	0675	Vocopro	1027, 1360
Polaroid	1020, 1061, 1086, 1245, 1316, 1478	Rowa	0823, 1004	Symphonic	0675, 1334	Wesder	0699
Polk Audio	0539	Saba	0651	TAG McLaren	0894	Xbox	0522, 1708
Portland	0770	Sampo	0698, 0752, 1501	Tatung	0770	Xwave	1001
		Samsung	0490, 0573, 0744, 0199, 0820, 1044, 1075	Teac	0571, 0717, 0692, 0790, 0809	Yamaha	0490, 0539, 0545, 0497, 0817
		Sansui	0695	Technics	0490, 0703	Yamakawa	0872
		Sanyo	0670, 0675, 0695, 0873, 1334	Technika	0770	Zenith	0503, 0591, 0741, 0869
		Schneider	0783	Technosonic	0730	Zeus	0784
				Techwood	0692	Zoece	1265
				Terapin	1031		

DVD-R

Marque	Codes	Marque	Codes	Marque	Codes	Marque	Codes
Accurian	1416	Funai	0675, 1334	LiteOn	1158, 1416, 1440	Samsung	0490
Apex Digital	1056	Gateway	1073, 1158, 1194	Magnavox	0646, 0675, 1506	Sensory Science	1158
Aspire Digital	1168	Go Video	0741, 1158, 1304, 1730	Panasonic	0490, 1010, 1011	Sharp	0675
Astar	1489	iLo	1348	Philips	0646	Sony	1033, 1069, 1070, 1431, 1432, 1433
Broksonic	1419	JVC	1164, 1275	Pioneer	0631, 1475, 1476		
Coby	1086	Kreisen	1421	Polaroid	1086	Sylvania	0675
CyberHome	1129, 1502	LG	0741	RCA	0522	Zenith	0741

BD (HD-DVD)

Marque	Codes	Marque	Codes	Marque	Codes
Pioneer	2052, 0142	Samsung	0199	Toshiba	1769

LD

Marque	Codes	Marque	Codes	Marque	Codes	Marque	Codes
Aiwa	0203	Marantz	0064, 0194	Polk Audio	0194	Technics	0204
Carver	0064, 0194, 0323	Mitsubishi	0059, 0241	Quasar	0204	Theta Digital	0194
Denon	0059, 0172, 0241	NAD	0059	Realistic	0203	Toshiba	0059
Disco Vision	0023	NEC	0286	Renaissance	0323	Victor	0245
Funai	0203	Optimus	0059	Samsung	0323	Wards	0059
Harman/Kardon	0194	Panasonic	0204	Sega	0023	Yamaha	0217
Hitachi	0023, 0395	Philips	0064, 0194	Sharp	0001		
Magnavox	0064, 0194, 0217, 0241	Pioneer	0059, 0023, 0241, 1274	Sony	0193, 0201, 0270		

Utilisation du boîtier de télécommande pour agir sur d'autres appareils

Touches de commande du récepteur

Si un récepteur Pioneer est connecté à l'écran, les touches **1** à **3** peuvent en assurer le réglage.

1 RECEIVER  (STANDBY/ON)

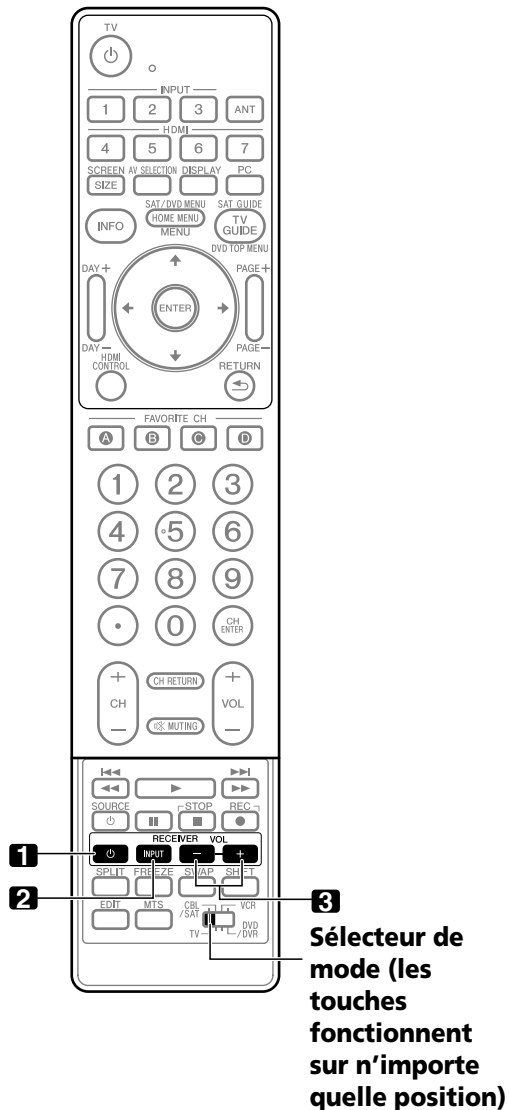
Mise en service ou hors service du récepteur Pioneer.

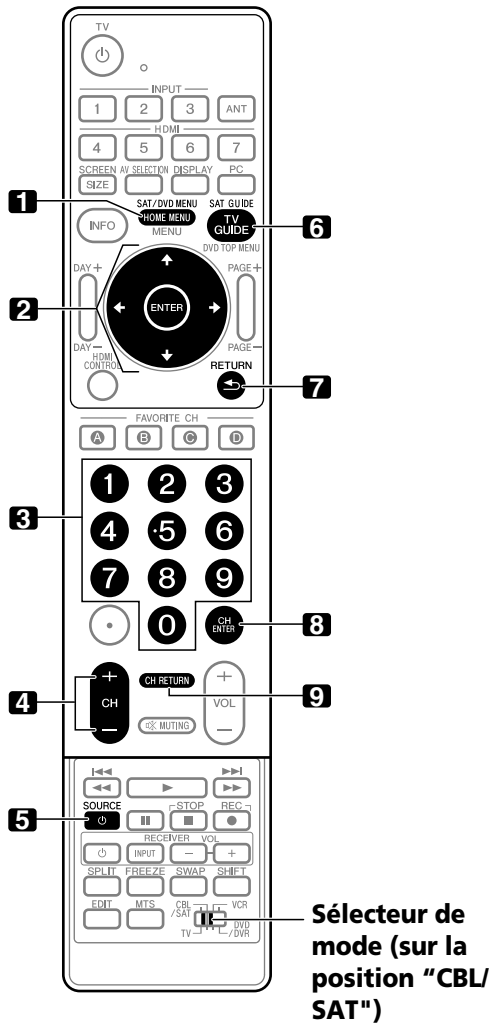
2 RECEIVER INPUT

Sélection de la source d'entrée connectée au récepteur Pioneer.

3 RECEIVER VOL +/-

Réglage du volume du récepteur Pioneer. Appuyez sur **VOL +** pour augmenter le volume, et sur **VOL -** pour le diminuer.





Touches de commande du tuner CBL/SAT

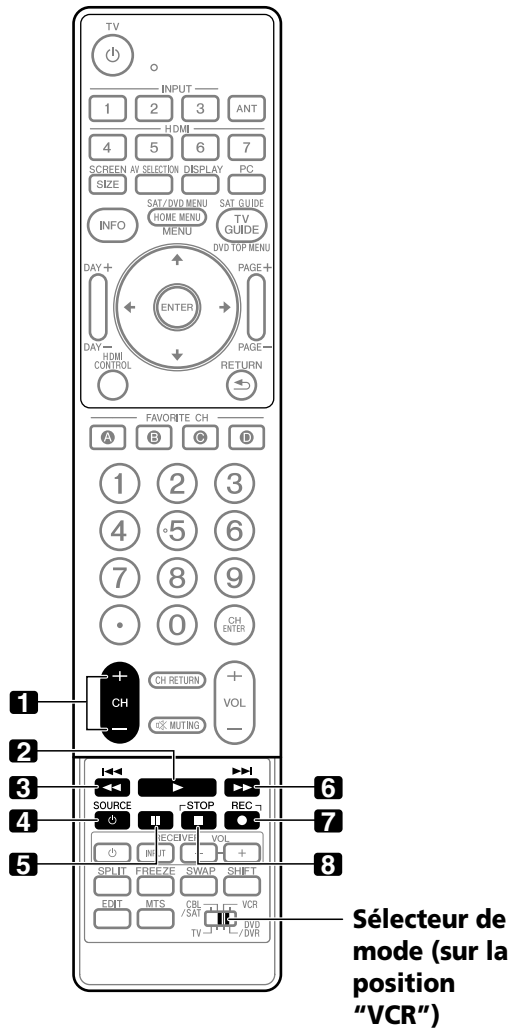
Quand le **Sélecteur de mode est** réglé sur CBL/SAT, le convertisseur de câble ou le tuner satellite connecté à l'écran peut être commandé à l'aide des touches indiquées ci-dessous (3, 4, 5, 8 et 9 pour les convertisseurs de câble 1 à 7 pour les tuners satellite):

- 1 SAT MENU**
Affiche l'écran de menu de diffusion par satellite.
- 2 ENTER, ↑/↓/←/→**
ENTER: Active la fonction sélectionnée.
↑/↓/←/→: Permettent de sélectionner des éléments sur l'écran SAT GUIDE ou l'écran SAT MENU.
- 3 0 à 9**
Appuyez sur la touche (ou les touches) correspondant à la chaîne que vous désirez regarder.
- 4 CH +/-**
Permettent de sélectionner la chaîne supérieure ou inférieure.
- 5 SOURCE**
Mise en service ou hors service de l'appareil.
- 6 SAT GUIDE**
Affiche l'écran de guide de diffusion par satellite.
- 7 RETURN**
Quand le menu de CBL/SAT est affiché, rétablit l'écran immédiatement précédent.
- 8 CH ENTER***
Valide l'entrée de la chaîne sélectionnée avec les touches de sélection directe.
- 9 CH RETURN***
Permet de faire une commutation entre la chaîne actuelle et celle que l'on regardait juste avant.

* Certains fabricants ne prérèglent pas **CH ENTER** et **CH RETURN**.

Remarque

- CABLE et SAT ne peuvent pas être sélectionnés en même temps.

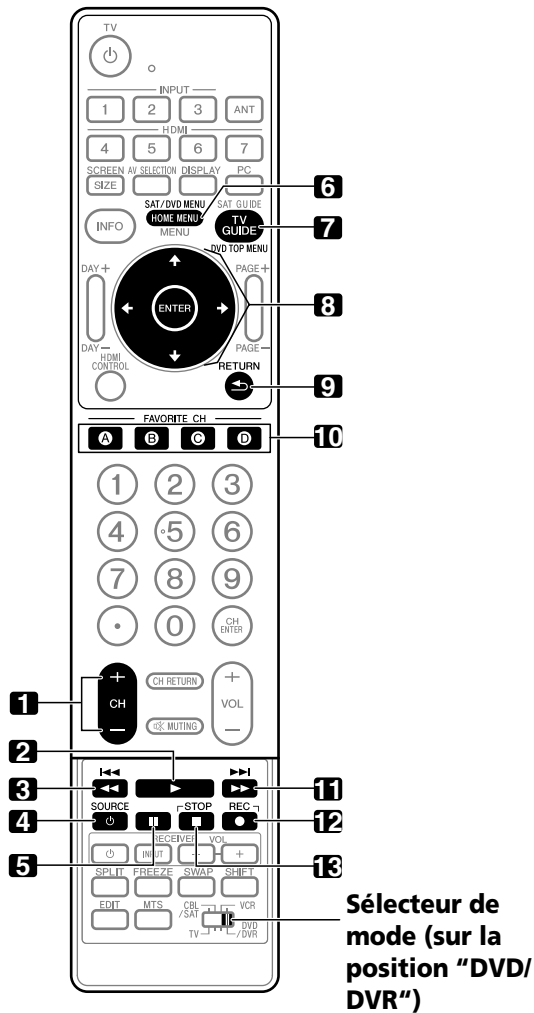


Touches de commande de magnéscope

Quand le **Sélecteur de mode** est réglé sur VCR, les magnétoscopes connectés à l'écran peuvent être commandés avec la télécommande.

- Appuyez sur la touche de sélection d'entrée INPUT 1 à INPUT 7 qui porte le même numéro que la prise d'entrée à laquelle le magnéscope est connecté; le magnéscope peut alors être commandé avec les touches **1** à **8**.
- Les magnéscope des autres fabricants peuvent aussi être commandés en utilisant le boîtier de télécommande si les signaux de télécommande de ces appareils ont été pré-réglés. Voir page 83.

- 1 CH +/-**
Sélectionne la chaîne sur le magnéscope.
- 2 ▶ (Lecture)**
Commande la lecture.
- 3 ◀◀ (Rembobinage)**
Rebobine la bande et assure la recherche d'une image.
- 4 SOURCE**
Mise en service ou hors service du magnéscope.
- 5 || (Pause/Arrêt sur image)**
Met la lecture en pause et affiche des images fixes.
- 6 ▶▶ (Avance rapide)**
Bobine rapidement la bande et assure la recherche d'une image.
- 7 ● (Enregistrement)**
Commande l'enregistrement.
- 8 ■ (Arrêt)**
Arrête le défilement de la bande.



Touches de commande du lecteur de DVD, graveur de DVD

Quand le **Sélecteur de mode** est réglé sur DVD/DVR, les lecteurs ou enregistreurs de DVD, ou les lecteurs BD connectés à l'écran peuvent être commandés avec la télécommande.

- Si vous appuyez sur la touche de sélection d'entrée qui porte le même numéro que la prise d'entrée à laquelle le lecteur ou l'enregistreur de DVD, ou le lecteur BD est connecté, celui-ci peut être commandé avec les touches **1 à 13**.
- Les lecteurs ou enregistreurs de DVD, les lecteurs BD, ou les lecteurs HD-DVD des autres fabricants peuvent aussi être commandés en utilisant le boîtier de télécommande si les signaux de télécommande de ces appareils ont été pré-réglés. Voir page 83.

- 1 CH +/- (graveur de DVD uniquement)**
Permettent de sélectionner la chaîne du tuner intégré à l'enregistreur de DVD.
- 2 ▶ (Lecture)**
Commande la lecture.
- 3 ◀◀ (Balayage)/▶▶ (Recherche Chapitre)**
Maintenez la pression d'un doigt sur cette touche pour revenir en arrière.
Une pression brève vous ramène au début du chapitre en cours de lecture. Chaque autre pression permet d'atteindre le début du chapitre qui précède.
- 4 SOURCE**
Mise en service ou hors service de l'appareil.
- 5 || (Pause/Arrêt sur image)**
Met la lecture en pause et affiche des images fixes.
- 6 DVD MENU**
Affiche le menu de DVD.
- 7 DVD TOP MENU**
Affiche le menu supérieur de DVD.
- 8 ENTER, ↑/↓/←/→**
ENTER: Active la fonction sélectionnée.
↑/↓/←/→: Permettent de sélectionner des éléments sur l'écran DVD MENU.
- 9 RETURN**
Quand le menu de DVD est affiché, rétablit l'écran immédiatement précédent.
- 10 A (BLEU), B (ROUGE), C (VERT), D (JAUNE) (BD uniquement)**
Commande l'application BD-J.
- 11 ▶▶ (Balayage)/▶▶▶ (Recherche Chapitre)**
Maintenez la pression d'un doigt sur cette touche pour obtenir une avance rapide.
Une pression brève vous ramène au début du chapitre qui suit. Chaque autre pression permet d'atteindre le début du chapitre qui suit.
- 12 ● (Enregistrement) (graveur de DVD uniquement)**
Commande l'enregistrement.
- 13 ■ (Arrêt)**
Arrête la lecture.
Avec certains lecteurs ou enregistreurs de DVD, appuyer deux fois sur cette touche pour ouvrir le plateau porte-disque.
- 12, 13 STOP REC (graveur de DVD uniquement)**
Maintenez la pression d'un doigt sur ● puis appuyez sur ■ pour arrêter l'enregistrement. Cette commande n'existe que sur les graveurs de DVD Pioneer.

Remarque

- Un lecteur et un enregistreur de DVD, et un lecteur BD ne peuvent pas être sélectionnés en même temps.
- Pour certains lecteurs LD, les touches du boîtier de télécommande remplissent les fonctions indiquées ci-dessus. Pour les platines LD prise en charge, reportez-vous aux marques et aux codes de platines LD à la page 88.

Chapitre 15

Annexe

Guide de dépannage

Anomalie	Action corrective possible
GÉNÉRAL	
<ul style="list-style-type: none"> Absence d'alimentation. 	<ul style="list-style-type: none"> Le cordon d'alimentation n'est-il pas débranché ? (Voir page 31.) Avez-vous appuyé sur ⏻ ? (Voir page 33.) Appuyez sur la touche TV ⏻ du boîtier de télécommande pour contrôler le fonctionnement. (Voir page 33.) Si le témoin du système est allumé en rouge, appuyez sur TV ⏻ du boîtier de télécommande ou sur STANDBY/ON de l'écran plasma.
<ul style="list-style-type: none"> L'alimentation se coupe brusquement. 	<ul style="list-style-type: none"> La minuterie d'extinction n'est-elle pas en service ? (Voir page 65.) Vérifiez le réglage de la commande d'alimentation. (Voir page 64.) La température interne du système a augmenté. Retirez les objets qui obstruent les événements, ou nettoyez ceux-ci. (Voir page 17.)
<ul style="list-style-type: none"> Le système ne fonctionne pas. 	<ul style="list-style-type: none"> Des phénomènes extérieurs tels que panne secteur, électricité statique, etc., peuvent provoquer une anomalie de fonctionnement. Dans ce cas, mettez l'écran plasma hors tension puis sous tension, directement ou bien en débranchant la fiche du cordon d'alimentation puis en la rebranchant une ou deux minutes plus tard.
<ul style="list-style-type: none"> Le boîtier de télécommande ne fonctionne pas. 	<ul style="list-style-type: none"> Vérifiez si TV ⏻ n'est pas sur la position de repos. Mettez cette touche en service quand les témoins POWER ON et STANDBY sont éteints. Le sélecteur de mode est-il convenablement positionné ? Placez-le sur la position TV. (Voir page 16.) Les polarités (+, -) des piles ne sont-elles pas inversées ? (Voir page 32.) Les piles ne sont-elles pas épuisées ? (Remplacez-les par des piles neuves.) (Voir page 32.) Agissez sur le boîtier de télécommande en le dirigeant vers le capteur de télécommande de l'écran plasma. (Voir page 32.) Le boîtier de télécommande n'est-il pas exposé à un éclairage puissant ou fluorescent ? Un éclairage fluorescent n'illumine-t-il pas le capteur de télécommande ? Contrôlez s'il n'y a pas d'obstacle entre le boîtier et le capteur de télécommande.
<ul style="list-style-type: none"> Le témoin POWER ON ou le témoin STANDBY clignote rapidement. 	<ul style="list-style-type: none"> Il se peut que les circuits de protection interne soient activés. Mettez d'abord ⏻ de l'écran plasma sur la position de repos, attendez une minute ou plus, puis remettre en service en mettant ⏻ sur la position de marche. Si le témoin clignote encore, débranchez le cordon d'alimentation de l'écran plasma de la prise de courant. Attendez une à deux minutes puis rebranchez l'écran plasma. Si cela ne résout pas le problème, contactez le centre technique indépendant autorisé Pioneer le plus proche ou le département de support technique (voir au dos de couverture).
IMAGE/SON	
<ul style="list-style-type: none"> Absence d'image et de son. 	<ul style="list-style-type: none"> Assurez-vous que la source sélectionnée n'est pas, par hasard, une source vidéo ou un ordinateur personnel alors que vous désirez regarder une émission de télévision. (Voir page 34.) Assurez-vous que la restriction parentale n'est pas en actif. (Voir page 44.) Tapez le mot de passe qui permet de mettre temporairement hors service la restriction parentale. (Voir page 48.) Contrôlez la connexion de l'antenne. (Voir page 30.) Contrôlez la connexion des autres appareils. (Voir pages 70 à 75.)
<ul style="list-style-type: none"> Absence d'image. 	<ul style="list-style-type: none"> Les connexions aux autres appareils sont-elles correctes ? (Voir pages 70 à 75.) Le signal provenant de l'ordinateur personnel n'est-il pas incompatible ? (Voir page 74.) Le réglage de l'image est-il correct ? (Voir page 61.)
<ul style="list-style-type: none"> L'écran est sombre 	<ul style="list-style-type: none"> Contrôlez s'il n'y a pas d'obstacle devant le capteur de luminosité ambiante. (Voir pages 14 et 69.)
<ul style="list-style-type: none"> Le son est sorti mais aucune image n'est affichée. 	<ul style="list-style-type: none"> Assurez-vous de ne pas avoir validé l'option "Arrêt Image" pour la fonction d'économie d'énergie. Lorsque vous validez cette option, l'écran est éteint et seuls les sons sont émis. Pour rétablir l'image, appuyez sur toute touche autre que VOL +/- et MUTING. (Voir page 64.)
<ul style="list-style-type: none"> Des images sont affichées mais il n'y a pas de son. 	<ul style="list-style-type: none"> Assurez-vous que le volume n'est pas réglé au minimum. (Voir page 35.) Assurez-vous que le son n'est pas coupé. (Voir page 35.) Si la source est une entrée vidéo ou PC, assurez-vous que la prise audio est également connectée. (Voir pages 70 à 74.)
<ul style="list-style-type: none"> Les sons sont inversés, droite gauche. Les sons ne sont sortis que d'une seule enceinte. 	<ul style="list-style-type: none"> Assurez-vous que les connexions aux enceintes n'ont pas été interverties, et que l'une ou l'autre n'est pas débranchée. (Voir page 25.) La balance est-elle correctement réglée ? (Voir page 63.)
<ul style="list-style-type: none"> L'image est tronquée. 	<ul style="list-style-type: none"> La position de l'image est-elle correcte ? (Voir page 66.) Le format d'image choisi est-il correct ? (Voir page 68.)
<ul style="list-style-type: none"> Couleurs surprenantes, couleurs délavées, couleurs sombres ou mal alignées. 	<ul style="list-style-type: none"> Réglez le ton de l'image. (Voir page 61.) La pièce n'est-elle pas trop éclairée ? L'image peut paraître sombre dans une pièce trop éclairée.

Anomalie	Action corrective possible
<ul style="list-style-type: none"> Image rémanente 	<ul style="list-style-type: none"> Après l'affichage d'une image fixe ou d'une image très lumineuse pendant une longue période, si l'affichage passe à une scène plus sombre, l'image précédente peut apparaître comme une image rémanente. Ce problème peut être résolu en affichant une image mobile et lumineuse pendant plusieurs minutes. Toutefois, l'affichage d'une image fixe pendant excessivement longtemps peut donner lieu à une détérioration permanente de l'écran. Affichez l'écran de "Mire vidéo" de manière à réduire le risque d'image rémanente. (Voir page 69.)
<ul style="list-style-type: none"> En mode 4:3, la luminosité et le ton des couleurs sont différentes sur les deux côtés par rapport au centre. 	<ul style="list-style-type: none"> Si des images en mode 4:3 ou des images étirées sont affichées pendant de longues périodes, ou pendant des périodes plus courtes sur plusieurs jours, une image rémanente peut apparaître du fait du brûlage. Ceci est une caractéristique des écrans plasma. Nous vous recommandons d'afficher les images sur la totalité de l'écran autant que possible. (Voir page 67.) Nous vous recommandons de sélectionner "Auto" pour "Sync. luminosité" dans le réglage des caches latéraux. La luminosité des caches latéraux gris est alors réglée en fonction de celle de l'image principale. (Voir page 68.)
Comde HDMI	
<ul style="list-style-type: none"> Les fonctions de la commande HDMI sont inopérantes. 	<ul style="list-style-type: none"> Contrôlez si les connexions sont faites correctement entre l'écran plasma et l'appareil qui prend en charge les fonctions de commande HDMI. (Voir page 80.) Contrôlez si vous avez entré les réglages correctement pour "Réglage de la commande HDMI". (Voir page 81.) Contrôlez si les réglages pour les fonctions de commande HDMI sont effectifs sur les appareils connectés. Pour en savoir plus, reportez-vous au mode d'emploi fourni avec l'appareil.
<ul style="list-style-type: none"> Absence d'image et de son. 	<ul style="list-style-type: none"> Contrôlez si les connexions sont faites correctement entre l'écran plasma et l'appareil qui prend en charge les fonctions de commande HDMI. (Voir page 80.) Contrôlez si vous avez entré les réglages correctement pour "Réglage de la commande HDMI". (Voir page 81.)
<ul style="list-style-type: none"> Absence d'image 	<ul style="list-style-type: none"> Contrôlez si les connexions sont faites correctement entre l'écran plasma et l'appareil qui prend en charge les fonctions de commande HDMI. (Voir page 80.) Contrôlez si vous avez entré les réglages correctement pour "Réglage de la commande HDMI". (Voir page 81.)
<ul style="list-style-type: none"> Pas de son 	<ul style="list-style-type: none"> Contrôlez si les connexions sont faites correctement entre l'écran plasma et l'appareil qui prend en charge les fonctions de commande HDMI. (Voir page 80.) Contrôlez si vous avez entré les réglages correctement pour "Réglage de la commande HDMI". (Voir page 81.) Contrôlez si vous avez un système AV commandé par HDMI connecté à une prise HDMI et l'enregistreur ou le lecteur connecté à une autre prise HDMI sur l'écran plasma. Si les connexions sont faites de cette façon, le son de l'enregistreur/lecteur ne parvient pas à la prise SPDIF de l'écran plasma et il n'y a alors pas de son au système AV. Lors de la l'utilisation d'un système AV et d'un enregistreur ou lecteur, veuillez connecter l'enregistreur ou le lecteur à la prise d'entrée du système AV.
<ul style="list-style-type: none"> Un message d'erreur "Appareil inutilisable. Contrôlez la connexion." apparaît. 	<ul style="list-style-type: none"> Contrôlez si les connexions sont faites correctement entre l'écran plasma et l'appareil qui prend en charge les fonctions de commande HDMI. (Voir page 80.) Contrôlez si vous avez entré les réglages correctement pour "Réglage de la commande HDMI". (Voir page 81.)
AUTRE	
<ul style="list-style-type: none"> Les données de TV-Guide ne peuvent pas être obtenues. 	<ul style="list-style-type: none"> Si les données de TV-Guide ne peuvent pas être obtenues avec ANT.A sélectionné pour la connexion par câble, sélectionnez ANT.B pour les émissions hertziennes. De plus, essayez de nouveau la configuration de TV-Guide en réalisant la procédure suivante (voir page 40): - Sélectionnez "Antenna" pour "Sélection de service(s)" sur l'écran 3. - Sélectionnez "ANT B IN" sur l'écran 4.
<ul style="list-style-type: none"> Un appareil extérieur connecté à la prise USB ne fonctionne pas. 	<ul style="list-style-type: none"> Vérifiez si l'appareil est connectable à cet écran. (Voir page 76.) Réinsérez le câble USB. (Voir page 76.) Pour la connexion, utilisez un câble USB de moins de 5 m. (Voir page 76.) Vérifiez si le câble USB est correctement connecté. (Voir page 76.) Mettez d'abord l'appareil hors tension puis de nouveau sous tension pour vérifier si l'appareil extérieur fonctionne correctement. Vérifiez si l'appareil extérieur fonctionne correctement après avoir redémarré l'appareil USB. Vérifiez si l'appareil photo numérique est en mode de lecture. Reportez-vous au mode d'emploi de l'appareil photo numérique.
<ul style="list-style-type: none"> Les données photo qui se trouvent dans l'appareil photo numérique ne peuvent pas être lues par l'interface USB. 	<ul style="list-style-type: none"> Vérifiez si l'appareil est connectable à cet écran. (Voir page 76.) Vérifiez si l'appareil photo numérique est sous tension.
<ul style="list-style-type: none"> Sons/bruits du panneau. 	<ul style="list-style-type: none"> Sons propres au panneau, par exemple: Bruit de moteur de ventilateur, ronflement de circuit électrique/bourdonnement du panneau en verre sont des sons normaux d'un écran matriciel à revêtement cathodoluminescent.
<ul style="list-style-type: none"> L'écran affiche une luminosité inégale sur les côtés. 	<ul style="list-style-type: none"> Affichez une image qui remplit tout l'écran jusqu'à ce que la différence de luminosité soit atténuée. Certains signaux peuvent nécessiter de changer le réglage du mode AV. (Voir page 67.)

Si les codes d'erreur ci-dessous apparaissent à l'écran, effectuez les vérifications correspondantes indiquées dans le tableau.

Code	Message	Vérification
SD04 et SD11	S'éteint. Température interne trop élevée. Vérifier la température dans PDP.	Assurez-vous que la température de l'écran plasma n'est pas trop élevée.
SD05	Circuit interne de protect. coupe aliment. N'a-t-il pas un court-circuit dans un câble d'enceinte?	Contrôlez les connexions entre l'écran plasma et les enceintes.

Caractéristiques techniques

Élément		Modèle d'écran plasma 60 po.: PDP-6010FD	Modèle d'écran plasma 50 po.: PDP-5010FD	
Nombre de pixels		1920 × 1080 pixels		
Amplificateur audio		17 W + 17 W (1 kHz, 10 %, 6 Ω)	17 W + 17 W (1 kHz, 10 %, 6 Ω)	
Haut-parleurs		Graves: type à cône 4,8 cm x 13 cm Haut-parleur d'aigus: Type à demi-dôme 2,5 cm	Graves: type à cône 4,8 cm x 13 cm Haut-parleur d'aigus: Type à demi-dôme 2,5 cm	
Effet sonore		SRS FOCUS/SRS/SRS TruBass		
Alimentation		120 V CA, 60 Hz, 532 W (20 W en veille)	120 V CA, 60 Hz, 442 W (26 W en veille)	
Poids		Appareil: 55,5 kg (122,4 livres) Support: 5,9 kg (13,1 livres) (boulons compris) Système d'enceintes: 4,8 kg (10,6 livres) (y compris les câbles, les pièces de fixation et les vis) Total: 66,2 kg (145,9 livres)	Appareil: 38,5 kg (84,9 livres) Support: 2,2 kg (4,9 livres) (boulons compris) Système d'enceintes: 3,3 kg (7,3 livres) (y compris les câbles, les pièces de fixation et les vis) Total: 44,0 kg (97 livres)	
Standard de réception (Numérique)		Système de télévision numérique ATSC		
Type de circuit		Démodulation 8VSB/64QAM/256QAM/QPSK		
Tuner	VHF/UHF	VHF chaînes 2 à 13, UHF chaînes 14 à 69		
	Télévision par câble	Chaînes 2 à 135		
Format audio		Dolby Digital		
Système de réception (Analogique)		Système de télévision américain NTSC		
Type de circuit		Détection synchrone du signal vidéo par circuit à verrouillage de phase (PLL), tuner numérique à verrouillage de phase (PLL)		
Tuner	VHF/UHF	VHF chaînes 2 à 13, UHF chaînes 14 à 69		
	Télévision par câble	ANT/CABLE A IN Chaînes 1 à 135 ANT B IN Chaînes 1 à 125		
Multiplexage audio		Système BTSC		
Prises	Arrière	ANT/CABLE A IN	75 Ω asymétrique, type F pour entrée DTV/VHF/UHF/Télévision par câble	
		ANT B IN	75 Ω asymétrique, type F pour entrée VHF/UHF/Télévision par câble	
		INPUT 1	Entrées S-VIDEO, VIDEO, AUDIO	
		INPUT 2	Entrées COMPONENT VIDEO, VIDEO, AUDIO	
		INPUT 4	Entrées HDMI*, AUDIO	
		PC INPUT	Entrées analogique RVB, AUDIO	
		INPUT 5	Entrées HDMI*, AUDIO	
		INPUT 6	Entrée HDMI*	
		INPUT 7	Entrée HDMI*	
		AUDIO OUT	Sortie AUDIO (Fixe)	
		DIGITAL OUT	Optique	
		CONTROL OUT	1	
		SPEAKERS	6 Ω à 16 Ω	
	SUB WOOFER	Variable		
	CableCARD	Point of Deployment (Point de déploiement)		
	Côté	INPUT 3	Entrées COMPONENT VIDEO, VIDEO, AUDIO	
		PHONES	16 Ω à 32 Ω recommandés	
		USB	Entrée USB**	
	Langues de l'affichage sur écran		Anglais/Français/Espagnol	

* Conforme à HDMI1.3 et HDCP1.1.

HDMI (High Definition Multimedia Interface) est une interface numérique qui gère la vidéo et le son sur un seul câble.

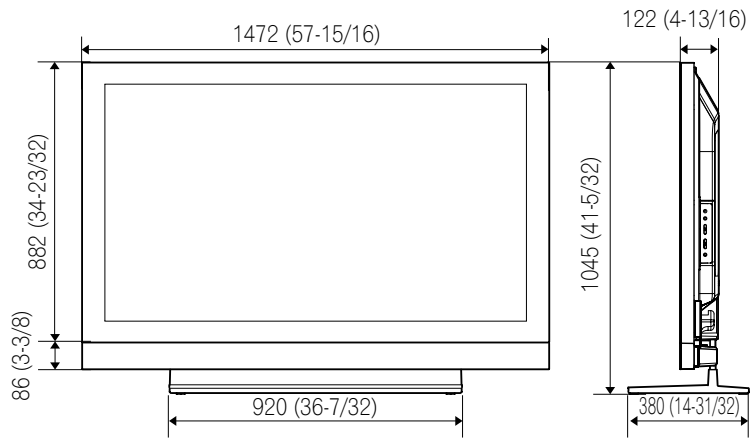
HDCP (High-bandwidth Digital Content Protection) est une technologie utilisée pour protéger les contenus numériques sujets à copyright qui utilise l'interface visuelle numérique (DVI).

** Conforme à USB 1.1 et 2.0.

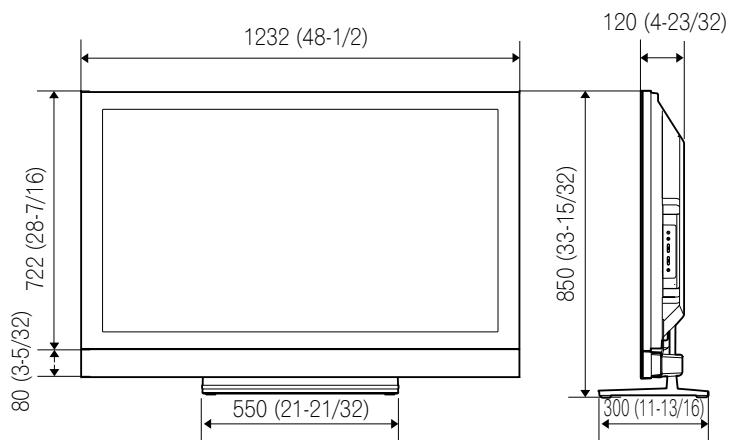
• Les caractéristiques et la présentation peuvent être modifiées sans avis préalable.

Dimensions**PDP-6010FD**


Unité: mm (pouce)

**PDP-5010FD**

Unité: mm (pouce)



Marques de commerce

- Aux États-Unis TV Guide et d'autres marques relatives sont des marques déposées de Gemstar-TV Guide International, Inc. et/ou d'une de ses sociétés affiliées. Au Canada TV Guide est une marque déposée de Transcontinental Inc., utilisée sous licence de Gemstar-TV Guide International, Inc.
-  est une marque de SRS Labs, Inc.
- WOW technologie est incorporé sous licence de SRS Labs, Inc.
- Fabriqué sous licence de Dolby Laboratories. Le terme «Dolby» et le sigle double D sont des marques commerciales de Dolby Laboratories.
- HDMI, le logo HDMI et High-Definition Multimedia Interface sont des marques commerciales ou des marques déposées de HDMI licensing LLC.
- Ce produit utilise les polices FontAvenue[®] sous licence de NEC Corporation. FontAvenue est une marque déposée de NEC Corporation.
- DDC est une marque déposée de Video Electronics Standards Association.
- CableCARD est une marque de commerce de Cable Television Laboratories, Inc.
- Ce logiciel est basé en partie sur le travail du groupe indépendant JPEG.
- Les noms de sociétés ou d'organismes sont des marques de commerce qui peuvent avoir fait l'objet d'un dépôt par leur propriétaire.

Licence

- Le système TV Guide On Screen est fabriqué sous licence de Gemstar-TV Guide International, Inc. et/ou d'une de ses sociétés affiliées.

Brevet

- Le système "TV Guide On Screen" est protégé par au moins un des brevets américains (USA) de Gemstar-TV Guide International, Inc. et/ou de ses sociétés affiliées: 4,908,713; 6,498,895; 6,850,693; 6,396,546; 5,940,073; 6,239,794.

Avis de non-responsabilité

- Gemstar-TV Guide International, Inc. et/ou ses filiales ne sont responsables en aucune manière de l'exactitude ou de la disponibilité des informations relatives aux programmes de télévision ou des autres informations fournies dans le système TV Guide On Screen et ne peut pas garantir la disponibilité du service dans votre région. En aucun cas, Gemstar-TV Guide International, Inc., et/ou ses filiales ne peuvent être tenues responsables pour tout dommage en relation avec l'exactitude ou la disponibilité des informations relatives aux programmes de télévision ou des autres informations fournies dans le système TV Guide On Screen.

Avis important à propos de la mise à jour de logiciels de Pioneer

À l'attention des propriétaires des PDP Pioneer:

Merci d'avoir acheté un téléviseur plasma Pioneer compatible avec le système Digital Cable Ready (DCR). Vous avez acheté le produit le plus avancé dans son genre aujourd'hui.

Cependant, au fur et à mesure que la technologie progresse, les systèmes DCR continuent leur évolution. Pour maintenir la compatibilité avec les systèmes DCR et les fonctions dont votre téléviseur plasma peut bénéficier, des mises à jour de logiciels peuvent être nécessaires.

Comme partie intégrante de notre engagement auprès de nos clients, Pioneer vous enverra les logiciels de mise à jour et les instructions nécessaires pour que votre téléviseur plasma compatible avec le système DCR soit mis à jour avec cette technologie. Veuillez prendre le temps d'enregistrer votre téléviseur plasma Pioneer compatible avec le système DCR sur

www.pioneerelectronics.com

Cette inscription nous permettra de vous aviser des changements qui peuvent se produire.

Merci beaucoup.

Remarque:

La fonction DCR ne fonctionnera qu'aux États-Unis.
La fonction DCR ne fonctionnera pas au Canada.

Publication de Pioneer Corporation.

© 2007 Pioneer Corporation.

Tous droits de reproduction et de traduction réservés.

IMPORTANTE



La luz intermitente con el símbolo de punta de flecha dentro un triángulo equilátero. Está convenido para avisar al usuario de la presencia de "voltaje peligrosa" no aislada dentro el producto que podría constituir un peligro de choque eléctrico para las personas.

CAUTION

RISK OF ELECTRIC SHOCK
DO NOT OPEN

ATENCIÓN:

PARA PREVENIR EL PELIGRO DE CHOQUE ELÉCTRICO NO REMOVER LA TAPA NI LAS PARTES DENTRO NO UTILIZADAS, LLAMAR UNA PERSONA CUALIFICADA



El punto exclamativo dentro un triángulo equilátero convenido para avisar el usuario de la presencia de importantes instrucciones sobre el funcionamiento y la manutención en la libreta que acompaña el aparato.

D3-4-2-1-1_Sp-A

INSTRUCCIONES DE SEGURIDAD IMPORTANTES

- 1) Lea estas instrucciones.
- 2) Guarde estas instrucciones.
- 3) Preste atención a las advertencias.
- 4) Siga todas las instrucciones.
- 5) No utilice este aparato cerca del agua.
- 6) Limpie solamente con un paño seco.
- 7) No bloquee ninguna abertura de ventilación. Instale de acuerdo con las instrucciones del fabricante.
- 8) No instale cerca de fuentes de calor como radiadores, calentadores, estufas, u otros aparatos (incluyendo amplificadores) que generen calor.
- 9) No anule el propósito de seguridad de la clavija polarizada o de puesta a tierra. Una clavija polarizada tiene dos patillas, una más ancha que la otra. Una clavija con puesta a tierra tiene dos patillas y un tercer contacto de puesta a tierra. La patilla ancha o el tercer contacto se proveen para su seguridad. Si la clavija suministrada no se ajusta en su toma de corriente, consulte un electricista para el reemplazo de la toma de corriente obsoleta.
- 10) Proteja el cable de alimentación de modo que no sea pisado o apretado particularmente en las clavijas, receptáculos, y en el punto que salen del aparato.
- 11) Utilice solamente accesorios especificados por el fabricante.
- 12) Utilice solamente el carrito, soporte, trípode, ménsula o mesa especificado por el fabricante o vendido junto con el producto. Cuando se utiliza un carrito, tenga cuidado de no mover la combinación de carrito y aparato para evitar lesiones debido a una queda.
- 13) Desenchufe este aparato durante tempestades o cuando no utilice el aparato durante largos períodos de tiempo.
- 14) Encargue el servicio a personal de servicio calificado. Se requiere servicio cuando el aparatado ha sufrido daños de alguna manera, como daños en el cable de alimentación o clavija, entrada de líquidos u objetos en el aparato, exposición del aparato a la lluvia o humedad, cuando el aparato no funcione normalmente, o haya caído.



ADVERTENCIA: Este aparato no es impermeable. Para evitar el riesgo de incendio y de descargas eléctricas, no ponga ningún recipiente lleno de líquido (como pueda ser un vaso o un florero) cerca del aparato ni lo exponga a goteo, salpicaduras, lluvia o humedad.

D3-4-2-1-3_A_Sp

AVISO AL INSTALADOR DEL SISTEMA CATV

ESTA NOTA SE PROVEE PARA LLAMAR LA ATENCIÓN DEL INSTALADOR DEL SISTEMA CATV AL ARTÍCULO 820-40 DE NEC QUE PROVEE LAS DIRECTRICES PARA LA CONEXIÓN A TIERRA APROPIADA Y, EN PARTICULAR, ESPECIFICA QUE SE DEBE CONECTAR EL CABLE DE TIERRA AL SISTEMA DE CONEXIÓN A TIERRA DEL EDIFICIO, LO MÁS CERCA POSIBLE DEL PUNTO DE ENTRADA DEL CABLE.

D1-4-2-8_Sp

ADVERTENCIA: Este producto está provisto de una clavija de tres conductores con toma de tierra (puesta a tierra) cuya tercera patilla es la de toma de tierra. Esta clavija sólo se adapta en una toma de corriente del tipo de toma de tierra. Si no puede insertar la clavija en la toma de corriente, llame a un electricista profesional para que le reemplace la toma de corriente por otra con toma de tierra que sea adecuada. No elimine el dispositivo de seguridad de la clavija con toma de tierra.

D3-4-2-1-6_A_Sp

ADVERTENCIA: Para evitar el peligro de incendio, no ponga nada con fuego encendido (como pueda ser una vela) encima del aparato.

D3-4-2-1-7a_A_Sp

Este televisor digital puede recibir programación de televisión por cable básica analógica, básica digital y 'premium' digital mediante conexión directa a un sistema de cable que provea dicha programación. Para ver programación digital codificada se requiere una tarjeta de seguridad suministrada por su proveedor de cable. Ciertos servicios avanzados e interactivos de cable digital como video en demanda, guía de programación mejorada del proveedor de cable y servicios de televisión con datos mejorados podrían requerir la utilización de un descodificador (STB). Para mayor información, comuníquese con su proveedor de cable local.

PRECAUCIÓN PARA LA VENTILACIÓN:

Cuando instale este aparato, asegúrese de dejar espacio en torno al mismo para la ventilación con el fin de mejorar la disipación de calor. Para el espacio mínimo requerido, consulte la página 17.

ADVERTENCIA: Las ranuras y aberturas de la caja del aparato sirven para su ventilación para poder asegurar un funcionamiento fiable del aparato y para protegerlo contra sobrecalentamiento. Para evitar el peligro de incendio, las aberturas nunca deberán taparse ni cubrirse con nada (como por ejemplo, periódicos, manteles, cortinas) ni ponerse en funcionamiento el aparato sobre una alfombra gruesas o una cama.

Información al usuario

Cambios o modificaciones realizados sin la autorización apropiada pueden invalidar el derecho del usuario de operar el equipo.

[Para el modelo canadiense]

Este aparato digital de clase B cumple con la norma ICES-003 del Canadá.

COMISIÓN FEDERAL DE COMUNICACIONES DECLARACIÓN DE CONFORMIDAD

Este dispositivo cumple con la parte 15 de los reglamentos de la FCC. El funcionamiento está sujeto a las dos condiciones siguientes: (1) Este dispositivo no puede causar interferencia perjudicial, y (2) este dispositivo debe aceptar cualquier interferencia recibida, incluyendo una interferencia que puede causar un funcionamiento no deseado.

Nombre del producto: Sistema de Pantalla de Plasma

Número del modelo: PDP-6010FD/PDP-5010FD

Categoría del producto: Computadoras personales y periféricos de clase B

Nombre del responsable: PIONEER ELECTRONICS SERVICE, INC.

Dirección: 1925 E. DOMINGUEZ ST., LONG BEACH, CA 90801-1760, U.S.A.

Teléfono: 800-421-1625

URL : <http://www.pioneerelectronics.com>

NOTA: Este equipo ha sido probado y se ha comprobado que cumple con los límites para un dispositivo digital de clase B, de acuerdo con la Parte 15 de las Reglas de FCC. Esos límites están concebidos para proveer una protección razonable contra interferencias perjudiciales en una instalación residencial. Este equipo genera, utiliza, y puede radiar energía de frecuencia de radio y, si no se instala y se utiliza de acuerdo con las instrucciones, puede causar interferencias perjudiciales a las comunicaciones de radio. Sin embargo, no hay ninguna garantía de que no ocurrirá interferencia en una instalación particular. Si este equipo causa interferencia perjudicial a la recepción de radio o televisión, que se puede determinar mediante el encendido y apagado del equipo, se recomienda al usuario que intente corregir la interferencia a través de una o más de las medidas siguientes:

- Reoriente o reubique la antena de recepción.
- Aumente la separación entre el equipo y el receptor.
- Conecte el equipo a una toma de corriente en un circuito diferente del cual el receptor está conectado.
- Consulte su revendedor o un técnico experimentado de radio/TV para ayuda.

D8-10-1-2_Sp

PRECAUCIÓN: Este producto satisface los reglamentos de la FCC cuando se utilizan cables o conectores blindados para conectar el producto a otro equipo. Para impedir las interferencias electromagnéticas con aparatos eléctricos tales como radios y televisores, utilice conectores y cables blindados para hacer las conexiones.

D8-10-3a_Sp

AVISO IMPORTANTE – EL NÚMERO DE SERIE PARA ESTE EQUIPO SE ENCUENTRA EN EL PANEL TRASERO. SÍRVASE ESCRIBIR ESTE NÚMERO DE SERIE EN SU TARJETA DE GARANTÍA ADJUNTA Y GUÁRDELA EN UN LUGAR SEGURO. ESTO ES PARA SU SEGURIDAD.

D1-4-2-6-1_Sp

PRECAUCIÓN: El interruptor de la alimentación POWER de este aparato no corta por completo toda la alimentación de la toma de corriente de CA. Puesto que el cable de alimentación hace las funciones de dispositivo de desconexión de la corriente para el aparato, para desconectar toda la alimentación del aparato deberá desenchufar el cable de la toma de corriente de CA. Por lo tanto, asegúrese de instalar el aparato de modo que el cable de alimentación pueda desenchufarse con facilidad de la toma de corriente de CA en caso de un accidente. Para evitar correr el peligro de incendio, el cable de alimentación también deberá desenchufarse de la toma de corriente de CA cuando no se tenga la intención de utilizarlo durante mucho tiempo seguido (por ejemplo, antes de irse de vacaciones).

D3-4-2-2-2a_A_Sp

STANDBY: En el modo de espera, el flujo de alimentación principal se corta y la unidad no queda totalmente operacional.

Indicador STANDBY/ON: El indicador se enciende en rojo cuando la unidad está en el modo de espera y se enciende en azul cuando está en el modo de encendido.

Entorno de funcionamiento

Temperatura y humedad del entorno de funcionamiento

+0 °C a +40 °C (+32 °F a +104 °F); menos del 85 % de humedad relativa (rejillas de refrigeración no obstruidas)

No instale este aparato en un lugar mal ventilado, ni en lugares expuestos a alta humedad o a la luz directa del sol (o de otra luz artificial potente).

D3-4-2-1-7c_A_Sp

Gracias por la adquisición de este producto Pioneer.

Lea completamente este manual de instrucciones para aprender a operar correctamente el aparato. Después de haber terminado la lectura de las instrucciones, guarde el manual en un lugar seguro para poderlo consultar en el futuro.

En algunos países o regiones, la forma de la clavija de alimentación y de la toma de corriente pueden ser diferentes de la mostrada en las ilustraciones de explicación. Sin embargo, el método de conexión y la operación del aparato son iguales.

Las ilustraciones que aparecen en este manual son para el modelo PDP-5010FD, a menos que se especifique de lo contrario.

Contenido

01 Información de orientación importante para el usuario	7	Contemplación de canales de TV.....	34
02 Precauciones de seguridad.....	10	Selección de la antena	34
Precauciones relacionadas con la instalación	11	Cambio de canales	34
03 Accesorios suministrados.....	12	Cambio del volumen y sonido.....	35
Accesorios del soporte (PDP-6010FD solamente)	12	Cambio del idioma.....	35
Accesorios de altavoz	13	Configuración del modo MTS/SAP	36
04 Nombres de los componentes.....	14	Visualización de un rótulo de canal	37
Pantalla de plasma	14	Utilización del servicio POD	37
Mando a distancia	16	Utilización de las funciones de multipantalla.....	37
05 Preparación.....	17	División de la pantalla	37
Instalación de la pantalla de plasma	17	Congelamiento de imágenes	38
Traslado de la pantalla de plasma.....	17	07 Configuración del sistema TV Guide On Screen™.....	39
Instalación del soporte Pioneer	17	Sobre el sistema TV Guide On Screen™	39
Instalación del altavoz Pioneer	18	Configuración del sistema TV Guide On Screen™	39
Cuando utilice la unidad de montaje en pared (PDP-6010FD).....	22	08 El MENÚ PRINCIPAL (HOME MENU).....	42
Cuando utilice la unidad de montaje en pared (PDP-5010FD).....	26	Resumen del MENÚ PRINCIPAL (HOME MENU)	42
Prevenición de caída de la pantalla de plasma	27	Utilización del MENÚ PRINCIPAL (HOME MENU)	42
Extracción del soporte Pioneer.....	28	09 Configuración del sintonizador.....	43
Conexiones de los cables para contemplar canales de TV digitales y/o convencionales	30	Configuración de los canales de TV.....	43
Colocación de la tarjeta CableCARD™	30	Utilización del preajuste automático de los canales.....	43
Encaminamiento de los cables	31	Configuración para saltar canales indeseables	43
Conexión de cable de alimentación	31	Configuración de los canales de TV	43
Preparación del mando a distancia	32	Comprobación de la intensidad de la señal.....	43
Rango de operación permisible del mando a distancia.....	32	Comprobación de la identificación de la tarjeta CableCARD™	44
06 Operaciones básicas.....	33	Control familiar.....	44
Encendido del sistema	33	Cambio de la contraseña	44
Apagado del sistema	33	Borrado de la contraseña	45
		Activación del control familiar.....	45

Configuración del sistema de clasificación de cine voluntario (MPAA) 45

Configuración de las clasificaciones de TV 45

Configuración de las guías familiares de TV (Guías de TV) 46

Bloqueo de programas de TV no clasificados (NR) 46

Sistemas de clasificaciones canadienses 46

Configuración de las clasificaciones canadienses en inglés 47

Configuración de las clasificaciones canadienses en francés 47

Configuración de nuevas clasificaciones 47

Eliminación de nuevas clasificaciones 48

Desactivación temporal del control familiar 48

Configuración de sus canales favoritos 49

Configuración de la subtitulación 49

Activación de la subtitulación 49

Selección del tipo de subtitulación convencional 49

Selección de la subtitulación digital 49

Selección de los parámetros de la subtitulación digital 50

Ajuste del reloj 50

10 Operación del sistema TV Guide On

Screen™ 51

Utilización del sistema TV Guide On Screen™ 51

Componentes de la pantalla 51

La pantalla de listas 52

Configuración de los avisos de programa 52

Búsqueda de programas 54

Búsqueda por categoría 54

Búsqueda por palabra clave 55

Búsqueda alfabética 55

El menú de búsqueda Episode Options 56

Programación de avisos 56

Utilización de la lista de avisos To Do 57

Cambio de las opciones de configuración 57

Cambios de las configuraciones del sistema 57

Cambio de las configuraciones de visualización de canales 58

Cambio de las opciones predeterminadas 59

Visualización del progreso de configuración 59

11 Ajustes y configuraciones 60

Selección AV 60

Ajustes de imagen básicos 61

Ajustes de imagen avanzados 61

Utilización de PureCinema 61

Utilización del detalle de imagen 62

Utilización de la temperatura de color 62

Utilización de CTI 62

Eliminación de ruido de las imágenes 62

Comparación de los ajustes de imagen en la pantalla 63

Ajustes del sonido 63

Control de la alimentación 64

Ahorro de energía 64

Apagado: sin señal (fuente de AV solamente) 64

Apagado: sin operación (fuente de AV solamente) 65

Gestión de energía (fuente de PC solamente) 65

Temporizador de apagado 65

Ajuste de las posiciones de imagen (fuente de AV solamente)	66
Ajustes automáticos de las posiciones de imagen y reloj (fuente PC solamente)	66
Ajustes manuales de las posiciones de imagen y reloj (fuente PC solamente)	66
Reducción de ruido de vídeo	67
Selección de un modo de juego	67
Selección manual de un tamaño de pantalla	67
Selección automática de un tamaño de pantalla	68
Detección de máscaras laterales	68
Cambio del brillo en ambos lados de la pantalla (Máscara lateral)	68
Sensor de luz de la habitación.....	69
Regulación del LED azul	69
Orbiter	69
Patrón de vídeo	69
Configuración del idioma.....	69
12 Utilización de un equipo externo	70
Sobre los equipos externos.....	70
Visualización de la imagen de un DVD	70
Visualización de la imagen de una videograbadora	70
Utilización de la entrada HDMI	71
Reproducción con consola de videojuegos o videocámara.....	73
Conexión de otro equipo de audio.....	73
Visualización de la imagen de una computadora	74
Gráfica de compatibilidad con computadora	74
Conexión de los cables de control.....	75
Utilización de interfaz USB (función Home Gallery)	76
Conexión a un dispositivo USB.....	76
Extracción de un dispositivo USB.....	76
Iniciación de la pantalla Home Gallery inicial	77
Iniciación de una pantalla de miniaturas	77
Iniciación de una pantalla de imagen simple estándar	77
Iniciación de la pantalla de configuración de presentación de diapositivas.....	78
Iniciación de la pantalla de presentación de diapositivas	78
13 Utilización del Control HDMI	79
Utilización de las funciones del Control HDMI	79
Conexiones de Control HDMI.....	80
Configuración del Control HDMI	81
Utilización de los menús del Control HDMI	82
14 Funciones útiles del mando a distancia	83
Preajuste de los códigos de fabricantes para controlar otros dispositivos.....	83
Preajuste de los códigos de fabricante	83
Búsqueda de librería	83
Reposición de fabricación	83
Programación de los códigos.....	84
Utilización del mando a distancia para controlar otros dispositivos	89
15 Apéndice	93
Solución de problemas	93
Especificaciones.....	95

Capítulo 1

Información de orientación importante para el usuario

Para disfrutar al máximo con esta pantalla de plasma PDP-6010FD/PDP-5010FD de Pioneer, lea primero cuidadosamente esta información.

Con la pantalla de plasma PDP-6010FD/PDP-5010FD de Pioneer, usted puede estar seguro de disponer de una pantalla de plasma de alta calidad, larga duración y alta fiabilidad. Para lograr imágenes de una calidad excepcional, esta pantalla de plasma de Pioneer incorpora un diseño y una construcción de vanguardia, así como también una tecnología muy precisa y avanzada.

La pantalla de plasma PDP-6010FD/PDP-5010FD de Pioneer incorpora la más avanzada tecnología de filtro de color – Direct Color Filter. Esto mejora la reproducción de los colores y de la imagen de estos modelos en comparación con los modelos anteriores. También elimina la necesidad de poner un panel de vidrio físico en frente del panel de plasma, lo que fomenta el objetivo continuado de Pioneer de reducir la basura ambiental en los productos electrónicos de consumo, ahora durante el procesamiento de fabricación y en el futuro durante el procesamiento de reciclaje.

Durante el curso de su vida útil, la luminosidad de la pantalla de plasma PDP-6010FD/PDP-5010FD de Pioneer se reducirá muy lentamente, al igual que sucede con todas las pantallas basadas en fósforo (la pantalla de un televisor de tubo tradicional, por ejemplo). Para disfrutar de imágenes hermosas y brillantes en su pantalla de plasma de Pioneer durante muchos años, lea y siga cuidadosamente los consejos de utilización indicados a continuación.

Consejos para la utilización

Todas las pantallas basadas en fósforo (incluyendo los televisores de tubo convencional) pueden ser afectadas al mostrar imágenes estáticas durante un largo período de tiempo. Las pantallas de plasma no son ninguna excepción. Los efectos de imagen residual y permanente en la pantalla pueden evitarse tomando algunas precauciones básicas. Siguiendo las recomendaciones listadas a continuación, usted podrá asegurar que pantalla de plasma dure más y ofrezca unos resultados más satisfactorios:

- Siempre que sea posible, evite visualizar frecuentemente la misma imagen o imágenes en movimiento virtualmente fijas (ej., imágenes con subtítulos o imágenes de videojuegos con partes estáticas).
- Evite ver durante largos periodos de tiempo la visualización en pantalla de un reproductor DVD, videograbadora y todos los demás componentes.
- Cuando utilice el modo de imagen fija de un televisor, videograbadora, reproductor DVD o cualquier otro componente, no visualice la misma imagen ni haga una pausa durante un largo período de tiempo.
- Las imágenes que tienen áreas muy brillantes y muy oscuras unas junto a otras no deberán visualizarse durante largos períodos de tiempo.
- Cuando visualice imágenes de juegos, se recomienda utilizar el modo "JUEGO" dentro de "Selección AV". Sin embargo, limite el tiempo de utilización de ese modo a menos de dos horas cada vez.
- Después de jugar con una consola de videojuegos, visualizar una imagen de PC o cualquier imagen fija, lo mejor es ver una imagen en movimiento normal en la pantalla "PANORÁMICA" o "COMPLETA" durante un tiempo tres veces superior al que dura la imagen fija anterior.
- Después de utilizar la pantalla de plasma, ponga siempre la pantalla en el modo de espera.
- La visualización prolongada de contenidos con máscaras superior, inferior o laterales puede causar un desgaste irregular. Después de ver algún contenido con máscaras, se recomienda ver vídeo de movimiento en pantalla completa durante una cantidad de tiempo igual o mayor.

Consejos para la instalación

El diseño de la pantalla de plasma PDP-6010FD/PDP-5010FD de Pioneer es muy delgado. Para garantizar la seguridad, tome las medidas apropiadas para montar o instalar la pantalla de plasma de forma que no se caiga en el caso de producirse vibraciones o algún movimiento accidental.

Este producto deberá instalarse utilizando solamente las piezas y los accesorios diseñados por Pioneer. La utilización de accesorios que no sean el soporte o la ménsula de instalación de Pioneer puede ser la causa de que se produzcan inestabilidad y lesiones. Para realizar una instalación personalizada, consulte el concesionario a quien adquirió la unidad. Para garantizar una instalación correcta de la unidad, ésta deberá ser llevada a cabo por un experto con experiencia y bien cualificado.

Pioneer no se hará responsable por accidentes o daños causados por la utilización de piezas y accesorios fabricados por otras compañías, instalación o estabilización inadecuada, operación incorrecta, modificación o desastres naturales.

Para evitar un fallo de funcionamiento o sobrecalentamiento cuando instale, asegúrese de que todas las aberturas de ventilación de la unidad principal no estén bloqueadas. Para garantizar la radiación de calor apropiada:

- Separe ligeramente la unidad de otros equipos, paredes, etc. Para el espacio mínimo requerido alrededor del aparato, consulte la página 17.
- No instale la unidad en espacios angostos donde la ventilación no sea apropiada.
- No tape la unidad con un paño, etc.
- Utilizando una aspiradora con su potencia de aspiración ajustada al mínimo, limpie el polvo acumulado en los orificios de ventilación de los lados y de la parte trasera de la unidad.
- No ponga el producto sobre una alfombra o manta.
- No deje el producto inclinado.
- No vuelva el producto al revés.

La utilización de la unidad sin la ventilación apropiada puede ser la causa de que la temperatura interna aumente y de que se produzca un fallo en el funcionamiento. Cuando la temperatura ambiental o interna supere cierto valor, la pantalla de plasma se apagará automáticamente para que se enfríen los componentes electrónicos internos y se impidan situaciones peligrosas.

Un fallo de funcionamiento puede deberse a muchos factores: lugar de instalación inadecuado, ensamblaje/instalación/montaje incorrecto, operación incorrecta o modificaciones en el producto. Sin embargo, Pioneer no se hace responsable de accidentes o fallos de funcionamiento causados por los factores susodichos.



Nota

A continuación se describen las características y efectos típicos de una pantalla de matriz basada en fósforo y, por lo tanto, no están cubiertos por las garantías limitadas del fabricante:

- Imágenes residuales permanentes en el fósforo del panel.
- La existencia de un número muy pequeño de celdas de luz inactivas.
- Sonidos generados por el panel como, por ejemplo: Ruido del motor del ventilador, y zumbido del circuito eléctrico/panel de vidrio.



Precaución

Pioneer no se hace responsable de los daños provenientes de la utilización incorrecta del producto por el usuario u otras personas, fallos de funcionamiento durante la utilización, problemas relacionados con otros componentes, y utilización del producto, excepto en los casos donde la compañía deba ser responsable.

Función de protección de la pantalla de plasma

Cuando imágenes fijas (como fotos e imágenes de ordenadores) permanecen en la pantalla durante un período de tiempo prolongado, la pantalla se oscurece ligeramente. Esto ocurre porque la función de protección de la pantalla de plasma ajusta automáticamente el brillo para proteger la pantalla al detectar imágenes fijas y, por lo tanto, no indica un fallo de funcionamiento. La pantalla se oscurece cuando se detecta una imagen fija durante aproximadamente tres minutos.

Información de defecto de píxel

Las pantallas de plasma visualizan información utilizando píxeles. Los paneles de plasma de Pioneer contienen un número muy grande de píxeles. (Más de 3,1 millones de píxeles para una pantalla de 50/60 pulgadas.) Todos los paneles de visualización de Pioneer se fabrican utilizando un nivel muy alto de tecnología de ultra-precisión y pasan por un control de calidad individual.

En casos raros, puede que algunos píxeles queden permanentemente apagados, o encendidos, resultando en un píxel negro o de color permanentemente fijo en la pantalla.

Este efecto es común en todas las pantallas de plasma, porque es una consecuencia de la tecnología.

Si los píxeles defectuosos están visibles en una distancia de visualización normal entre 2,5 y 3,5 metros (8,2 y 11,5 pies) mientras se ve una transmisión normal (o sea, no en una tarjeta de prueba, imagen fija o visualización en color simple), póngase en contacto con la División de Asistencia al Cliente (EE.UU.) o con el Departamento de Satisfacción del Cliente (CANADÁ) de Pioneer. Vea el verso.

Si, entretanto, sólo se puede verlos muy cerca o durante visualizaciones en color simples, esto se considera normal para esta tecnología.

Rayos infrarrojos

La pantalla de plasma radia rayos infrarrojos debido a sus características. Dependiendo de cómo se está utilizando la pantalla de plasma, los mandos a distancia de equipos próximos pueden afectarse adversamente, o teléfonos sin hilos que utilizan rayos infrarrojos pueden sufrir interferencias. Si esto es el caso, ponga el equipo en un lugar donde su sensor de mando a distancia no sea afectado.

Interferencia de radio

Aunque este producto satisfaga las especificaciones requeridas, ello emite una pequeña cantidad de ruido. Al poner equipos como radio AM, computadora o videograbadora cerca de este producto, tales equipos pueden sufrir interferencias. Si esto ocurre, ponga el equipo afectado lo más distante posible de este producto.

Sonido de accionamiento de la pantalla de plasma

La pantalla de plasma se compone de píxeles extremadamente finos y estos píxeles emiten luz de acuerdo con las señales de vídeo recibidas. Este principio puede hacerle oír un sonido de zumbido o zumbido del circuito eléctrico de la pantalla de plasma.

No fije ítems como etiquetas y cintas al producto

- Esto puede causar la decoloración o arañazo de la caja.

Cuando no utilice el producto durante un largo período de tiempo

- Si no utiliza el producto durante un largo período de tiempo, puede que las funciones del producto se afecten adversamente. Encienda y opere el producto ocasionalmente.

Condensación

- La condensación puede formarse en la superficie o dentro del producto cuando se traslada el producto rápidamente de un lugar frío a un lugar caliente, o inmediatamente después que se encienda un calentador en una mañana de invierno, por ejemplo. Si hay condensación, no encienda el producto hasta que la condensación desaparezca. Utilizar el producto con condensación puede causar un fallo de funcionamiento.

Limpieza de la superficie de la pantalla y de la superficie lustrosa de la caja frontal

- Al limpiar la superficie de la pantalla o la superficie lustrosa de la caja frontal, límpiela suavemente con un paño blando y seco, con el paño de limpieza suministrado, u otros paños similares (ej., algodón y franela). Si se utiliza un paño duro o polvoriento, o si se frota la pantalla con mucha fuerza, la superficie de la pantalla puede arañarse.
- Si se limpia la superficie de la pantalla con un paño mojado, las gotas de agua en la superficie pueden entrar en el producto, lo que podría causar un fallo de funcionamiento.

Limpieza de la caja

- Al limpiar la caja de este producto, límpiela suavemente con un paño blanco limpio (ej., algodón y franela). Si se utiliza un paño duro o polvoriento, o si se frota la caja con mucha fuerza, la superficie de la caja puede arañarse.
- La caja de este producto está compuesta en su mayor parte de plástico. No utilice sustancias químicas como benzina o diluyentes para limpiar la caja. La utilización de estas sustancias químicas puede causar el deterioro de la calidad o extracción del revestimiento.
- No exponga el producto a gases o fluidos volátiles como pesticida. No deje el producto quedarse en contacto con productos de caucho o vinilo durante un período de tiempo prolongado. El efecto del plastificante en el plástico puede causar el deterioro de la calidad o extracción del revestimiento.
- Si se limpia la superficie de la caja con un paño mojado, las gotas de agua en la superficie pueden entrar en el producto, lo que podría causar un fallo de funcionamiento.

Asideros en la parte trasera de la pantalla de plasma

- No retire los asideros de la parte trasera de la pantalla de plasma.
- Al trasladar la pantalla de plasma, pida ayuda a otra persona y utilice los asideros instalados en la parte trasera de la pantalla de plasma. No traslade la pantalla de plasma agarrando sólo un asidero. Utilice los asideros como se muestra en la página 17.
- No utilice los asideros para colgar el producto cuando instale o traslade el producto, por ejemplo. No utilice los asideros para el propósito de evitar que el producto caiga.

Ruido del motor del ventilador

La velocidad de rotación del motor del ventilador de enfriamiento aumenta cuando la temperatura ambiente de la pantalla de plasma se pone alta. Puede que oiga el sonido del motor del ventilador en este caso.

Para utilizar este producto por un largo período de tiempo

La función de ahorro de energía mantiene la eficiencia de la pantalla por un largo período de tiempo disminuyendo el brillo de la imagen y reduciendo el consumo de energía. Se recomienda ajustar la función de ahorro de energía al "Modo 1" para mejorar la eficiencia.

Sobre el tamaño de la ventana de menú tras el cambio del formato de vídeo

El programa de vídeo que usted mira puede ser de alta definición (HD) o la definición estándar (SD). Esta pantalla de plasma ha sido diseñada a escalar a cada tipo de definición correctamente. Si el tipo vídeo de la definición de los programas cambia mientras que una ventana del menú se exhibe en la pantalla (por ejemplo: HD→SD o SD→HD), el tamaño del menú puede encogerse o ampliarse temporalmente hasta que se termina el escalamiento. Puede que esto ocurra, por ejemplo, cuando cambie entre televisión y videograbadora digital exterior (D-VHS), o cuando el programa grabado cambia entre diferentes tipos de definición, mientras se esté visualizando el menú en la pantalla.

Si sucede esto, el menú volverá a su tamaño normal después de dos o tres segundos. Esta acción es normal, y no indica un problema con su pantalla de plasma.

Retención de imagen

Cuando se deja una imagen estática congelada en la pantalla durante varias horas, la imagen puede dejar una débil huella, conocida como retención de imagen. Esta retención de imagen puede ser temporal o permanente.

Causada por varios factores, la retención de imagen puede ocurrir en todas las tecnologías de visualización, incluyendo los sistemas de plasma y LCD. En las pantallas de plasma de hoy en día, la retención de imagen permanente ya no es una preocupación. Se puede mejorar la mayoría de la retención de imagen simplemente viendo vídeo de movimiento.

La retención de imagen también conocida como quemado, puede ocurrir en todos los sistemas de visualización basados en fósforo (incluyendo sistemas de televisión CRT—tanto visualización directa cuanto proyección—así como en pantallas de plasma). Debe evitarse visualizar la misma imagen fija durante largos períodos de tiempo, ya que puede ocurrir la retención de imagen permanente o quemado de la pantalla. Las directrices recomendables son las siguientes:

No visualice imágenes estáticas durante largos períodos de tiempo (tales como imágenes fijas, imágenes fijas de un PC o equipo de juego de TV, y/o imágenes fijas tal como la indicación de la hora o visualización del logotipo del canal).

No visualice el contenido en la relación de aspecto de 4:3 (con barras negras o grises en los lados izquierdo y derecho del contenido) o contenido de caja de letra (barras negras en las partes superior e inferior del contenido) durante largos períodos de tiempo, ni utilice uno de estos modos de visualización repetidamente dentro de un corto período de tiempo. Esta pantalla de plasma está equipada con múltiples modos de visualización de pantalla ancha; utilice uno de estos modos de pantalla para llenar toda la pantalla con el contenido.

Visualizar imágenes oscuras después de visualizar imágenes fijas durante un largo período de tiempo puede causar la retención de imagen. En la mayoría de los casos, se puede corregir la retención de imagen visualizando imágenes brillantes durante un período de tiempo equivalente.

Cuando visualice imágenes fijas en su pantalla de plasma durante largos períodos de tiempo, la retención de imagen puede ser irreparable.

Precaución

Imagen remanente del panel

- La visualización de las mismas imágenes, imágenes fijas por ejemplo, durante un largo período de tiempo puede causar el efecto de imagen remanente. Esto puede ocurrir en los dos casos siguientes.

1 Imagen remanente debida a carga eléctrica remanente

Cuando hay patrones de imagen en la pantalla con una luminancia de pico muy alto que duran más de un minuto, puede que se produzca imagen remanente debido a la carga eléctrica remanente. Las imágenes remanentes que quedan en la pantalla desaparecerán cuando se visualicen imágenes en movimiento. El tiempo que tardan en desaparecer las imágenes remanentes depende de la luminancia de las imágenes fijas y del tiempo que éstas han sido visualizadas.

2 Imagen remanente (imagen retenida) debido al quemado

Evite visualizar continuamente la misma imagen en la pantalla de plasma durante largos periodos de tiempo. Si se visualiza la misma imagen continuamente durante varias horas, o por periodos de tiempo más cortos durante varios días, en la pantalla quedará una imagen remanente permanente debido a que se han quemado materiales fluorescentes. Es posible que tales imágenes se noten menos si luego se visualizan imágenes en movimiento, pero no desaparecerán continuamente.

Nota

- Cuando se visualiza un menú de programa, guía de TV o imagen congelada durante 5 a 10 minutos, el sistema apaga la imagen automáticamente para evitar daños debidos al quemado de la pantalla.
- Para minimizar la retención de imagen, la posición de visualización cambia automáticamente de forma imperceptible mientras se está viendo la pantalla de plasma. Puede que no se visualicen algunas partes de la imagen (consulte *Orbiter* en la página 69).

Minimización de daños desde el quemado de la pantalla

- Ajuste la función de detección de máscara lateral a "Encendido". Las imágenes de alta definición con relación de aspecto de 16:9 contienen máscaras laterales que se detectan y se añaden automáticamente o la imagen se visualizará en pantalla completa.
- Se recomienda disfrutar de la visualización de imágenes en pantalla completa, excepto cuando esto pueda resultar en violación de los derechos de autor. La utilización de imágenes que se visualizan en tamaños de pantalla diferentes del vídeo original para ganancias financieras o en transmisiones para visualización pública puede resultar en la violación de los derechos de autor (consulte la página 68).

Precaución

NO COLOQUE ESTE PRODUCTO EN UN CARRITO, SOPORTE, TRÍPODE, MÉNSULA O MESA INESTABLE. EL PRODUCTO PUEDE CAER, CAUSANDO SERIAS LESIONES PERSONALES Y SERIOS DAÑOS AL PRODUCTO. UTILICE SOLAMENTE UN CARRITO, SOPORTE, TRÍPODE, MÉNSULA O MESA RECOMENDADO POR EL FABRICANTE O VENDIDO JUNTO CON EL PRODUCTO. SIGA LAS INSTRUCCIONES DEL FABRICANTE CUANDO INSTALE EL PRODUCTO Y UTILICE LOS ACCESORIOS DE MONTAJE RECOMENDADOS POR EL FABRICANTE.

LA COMBINACIÓN DE PRODUCTO Y CARRITO DEBE TRASLADARSE CON CUIDADO. PARADAS BRUSCAS, FUERZA EXCESIVA, Y SUPERFICIES DESNIVELADAS PUEDEN CAUSAR LA QUEDA DE LA COMBINACIÓN DE PRODUCTO Y CARRITO.



Capítulo 2

Precauciones de seguridad

La electricidad se utiliza para realizar muchas funciones útiles, pero ésta también puede causar lesiones a las personas y daños en las propiedades si no se manipula correctamente. Este producto ha sido diseñado y fabricado dando la máxima prioridad a la seguridad. Sin embargo, si no se utiliza de la forma correcta puede producir descargas eléctricas y/o un incendio. Para impedir posibles peligros, siga las instrucciones siguientes cuando instale, utilice y limpie el producto. Para garantizar su seguridad y prolongar la duración de su producto, lea cuidadosamente las instrucciones siguientes antes de utilizarlo.

1. Lea las instrucciones — Antes de utilizar el producto deberán leerse y entenderse todas las instrucciones de funcionamiento.
2. Guarde este manual en un lugar seguro — Estas instrucciones de seguridad y operación deben guardarse en un lugar seguro para futuras consultas.
3. Observe las advertencias — Todas las advertencias del producto y de las instrucciones deberán seguirse al pie de la letra.
4. Siga las instrucciones — Deberán seguirse todas las instrucciones de operación.
5. Limpieza — Desenchufe el cable de alimentación de la toma de CA antes de limpiar el producto. Para limpiar el producto, utilice el paño de limpieza suministrado u otros paños blandos (ej., algodón, flanela). No utilice productos de limpieza líquidos ni en aerosol.
6. Accesorios — No utilice accesorios que no hayan sido recomendados por el fabricante. La utilización de accesorios que no son adecuados puede causar accidentes.
7. Agua y humedad — No utilice el producto cerca del agua como, por ejemplo, una bañera, palangana, fregadero de cocina, lavadora, piscina y sótano húmedo.
8. Soporte — No coloque el producto en un carrito, soporte, trípode o mesa inestable. La colocación del producto en una base inestable puede ser la causa de que el producto se caiga, lo que podría causar lesiones graves a personas y también daños al producto. Utilice solamente un carrito, soporte, trípode, ménsula o mesa recomendado por el fabricante o vendido junto con el producto. Cuando coloque el producto en una pared, asegúrese de seguir las instrucciones del fabricante. Utilice solamente el hardware de montaje recomendado por el fabricante.
9. Cuando traslade el producto colocado en un carrito, éste deberá moverse con el máximo cuidado. Las paradas repentinas, la fuerza excesiva y la superficie del suelo irregular pueden ser la causa de que el producto caiga del carrito.
10. Ventilación — Los orificios de ventilación y otras aberturas de la caja han sido diseñados para ventilar el producto. No cubra ni bloquee estos orificios de ventilación y aberturas porque la falta de ventilación puede causar recalentamiento y/o reducir la duración del producto. No coloque el producto en una cama, sofá, alfombra u otra superficie similar porque las aberturas de ventilación podrán quedar bloqueadas. Este producto no ha sido diseñado para ser empotrado; no lo coloque en un lugar cerrado como, por ejemplo, un mueble librería o estantería a menos que disponga de la ventilación apropiada o se sigan las instrucciones del fabricante.
11. Fuente de alimentación — Este producto deberá funcionar con la fuente de alimentación especificada en la etiqueta de especificaciones. Si no está seguro acerca del tipo de alimentación utilizado en su hogar, consulte su concesionario o a la compañía abastecedora de electricidad de su localidad.
12. Protección del cable de alimentación — Los cables de alimentación deberán instalarse correctamente para evitar que los pisen las personas o que puedan colocarse objetos pesados encima de ellos. Compruebe los cables en las clavijas de alimentación y donde se enchufan al producto.
13. La pantalla de plasma utilizada en este producto está hecha de cristal. Por lo tanto, podrá romperse cuando el producto se caiga o reciba un impacto fuerte. En el caso de que se rompa la pantalla de plasma, tenga cuidado para no herirse con las piezas de cristal rotas.
14. Sobrecarga — No sobrecargue las tomas de CA ni los cables de prolongación. La sobrecarga puede causar un incendio o una descarga eléctrica.
15. Entrada de objetos y líquidos — No inserte nunca un objeto en el producto a través de los orificios de ventilación o aberturas. Por el interior del producto circula alta tensión, y la inserción de un objeto puede causar una descarga eléctrica y/o un cortocircuito en las piezas internas. Por la misma razón, no derrame agua o líquidos en el interior del producto.
16. Trabajo de servicio — No intente realizar usted mismo ningún trabajo de servicio en el producto. Quitar las cubiertas puede exponerle a una tensión alta y a otras condiciones peligrosas. Para realizar trabajos de servicio, póngase en contacto con personal de servicio cualificado.
17. Reparaciones — Si se produce cualquiera de las condiciones indicadas a continuación, desenchufe el cable de alimentación de la toma de CA y solicite al personal de servicio cualificado que lleve a cabo las reparaciones.
 - a. Cuando el cable de alimentación o su clavija estén estropeados.
 - b. Cuando se derrame líquidos en el producto o hayan caído objetos en su interior.
 - c. Cuando el producto haya estado expuesto a la lluvia o al agua.
 - d. Cuando el producto se haya caído o estropeado.
 - e. Cuando el producto muestre una condición anormal. Cualquier anomalía que se note en el producto indicará que éste necesita ser reparado.
18. Piezas de reemplazo — En el caso de que el producto necesite piezas de reemplazo, asegúrese de que el personal de servicio utilice las piezas especificadas por el fabricante, o aquellas que tengan las mismas características y rendimiento que las piezas originales. La utilización de piezas no autorizadas puede causar un incendio, descarga eléctrica y/o otros peligros.
19. Comprobaciones de seguridad — Al finalizar el trabajo de servicio o el trabajo de reparación, pida al técnico de servicio que realice comprobaciones de seguridad para asegurar que el producto se encuentre en condiciones de funcionamiento apropiadas.
20. Montaje en pared o techo — Cuando monte el producto en una pared o en el techo, asegúrese de instalarlo según el método recomendado por el fabricante.
21. Fuentes de calor — Mantenga el producto alejado de las fuentes de calor tales como radiadores, estufas y otros productos que generen calor (incluyendo amplificadores).
22. Desenchufe el cable de alimentación de la toma de CA antes de instalar los altavoces.
23. No exponga nunca la pantalla de plasma a impactos fuertes como, por ejemplo, chocándola contra otros objetos. La pantalla puede romperse, lo que podría causar un incendio o lesiones personales.
24. No exponga la pantalla de plasma a la luz directa del sol por un largo período de tiempo. Las características ópticas del panel de protección frontal cambiarán, lo que causará la decoloración o alabeo del panel.
25. La pantalla de plasma pesa aproximadamente 66,2 kg (145,9 libras) para el modelo PDP-6010FD (incluyendo el soporte y el altavoz) y aproximadamente 44,0 kg (97 libras) para el modelo PDP-5010FD (incluyendo el soporte y el altavoz). Como el producto tiene una profundidad pequeña y es inestable, desempaquee, traslade e instale el producto con por lo menos una persona más y utilice los asideros.



Precauciones relacionadas con la instalación

Observe las precauciones siguientes cuando instale con cualesquiera ítems como la ménsula opcional.

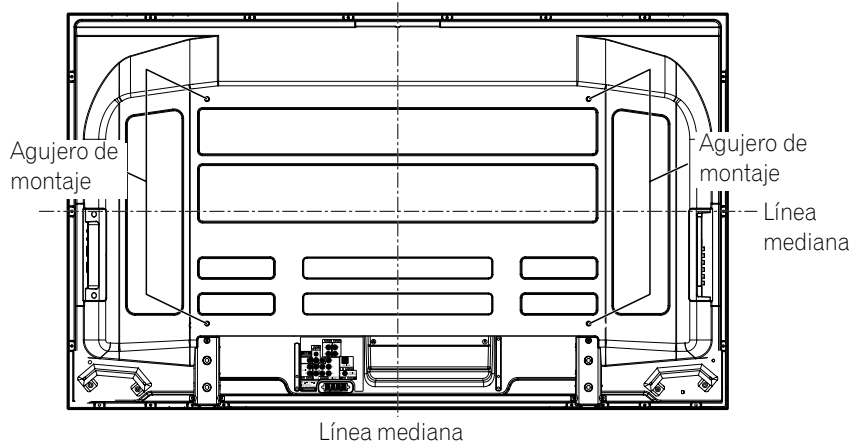
Cuando utilice las ménsulas opcionales o componentes equivalentes

- Solicite la instalación a su revendedor.
- Asegúrese de utilizar los pernos suministrados.
- Para los detalles, consulte el manual de instrucciones que acompaña la ménsula opcional (o componentes equivalentes).

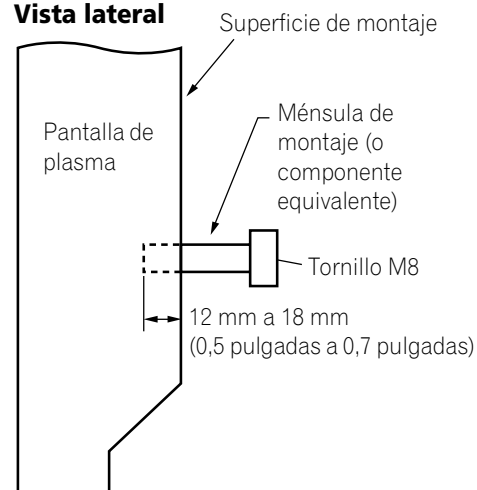
Cuando utilice otros componentes

- Consulte su revendedor.
- Los agujeros de montaje siguientes pueden utilizarse para la instalación:

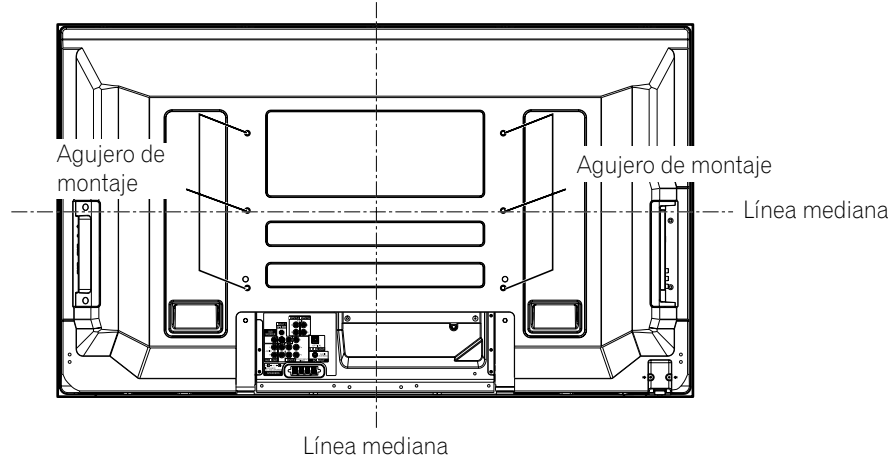
Vista trasera (PDP-6010FD)



Vista lateral



Vista trasera (PDP-5010FD)



Precaución

- Asegúrese de utilizar cuatro o más agujeros de montaje simétricos a las líneas medianas vertical y horizontal.
- Utilice tornillos M8, de 12 mm a 18 mm (0,5 pulgadas a 0,7 pulgadas) de profundidad desde la superficie de montaje de la pantalla de plasma. Vea la vista lateral arriba.
- Tenga cuidado de no bloquear la abertura de ventilación en la parte trasera de la pantalla de plasma.
- Asegúrese de instalar la pantalla de plasma en una superficie plana, porque contiene un cristal.
- Los agujeros de tornillo diferentes de los indicados arriba se utilizan solamente para los productos especificados. No los utilice nunca para el montaje de productos no especificados.

Nota

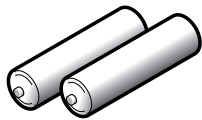
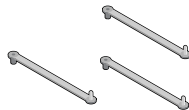
- Recomendamos fuertemente que utilice los productos de montaje opcionales de Pioneer.
- Pioneer no se hace responsable de cualesquier lesiones personales o daños del producto resultantes de la utilización de componentes de montaje diferentes de los productos opcionales de Pioneer.

Capítulo 3

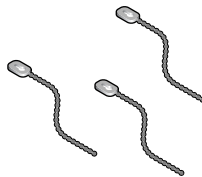
Accesorios suministrados



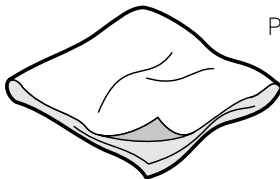
Mando a distancia

Pilas de tamaño AA x 2
(Pila alcalina para el
mando a distancia)

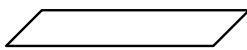
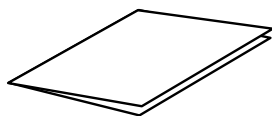
Abrazaderas rápidas x 3



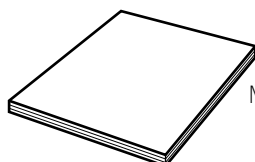
Abrazaderas de cuentas x 3



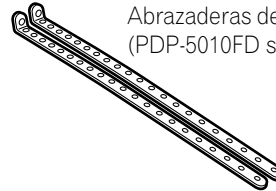
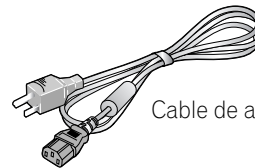
Paño de limpieza

Hoja de posición de los terminales
(para uso cuando se monta el televisor de plasma en la pared)
(PDP-6010FD solamente)

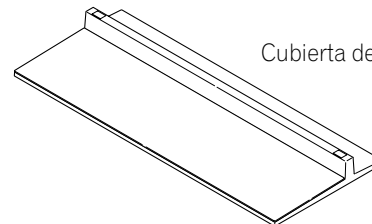
Tarjeta de garantía



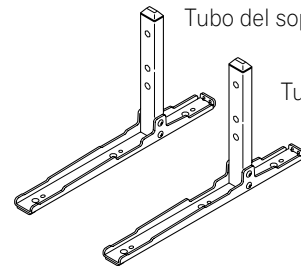
Manual de instrucciones

Tornillos (M4 x 10 mm) x 2
(para abrazaderas de plástico)
(PDP-5010FD solamente)Abrazaderas de plástico x 2
(PDP-5010FD solamente)

Cable de alimentación (2 m/6,6 pies)

**Accesorios del soporte
(PDP-6010FD solamente)**

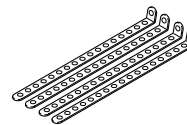
Cubierta de la base x 1



Tubo del soporte (L) x 1

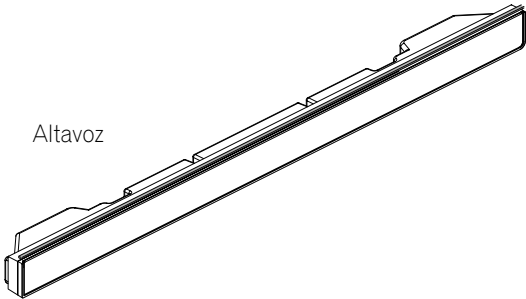
Tubo del soporte (R) x 1

Abrazaderas de plástico x 4

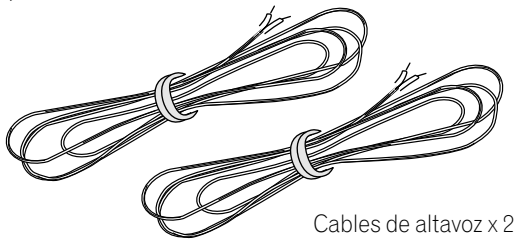
Tornillos ①
(M5 x 10 mm: negro) x 6Tornillos ②
(M6 x 20 mm: negro) x 4Tornillos ③
(para abrazaderas de plástico)
(M4 x 10 mm: negro) x 4

Accesorios de altavoz

(PDP-6010FD)

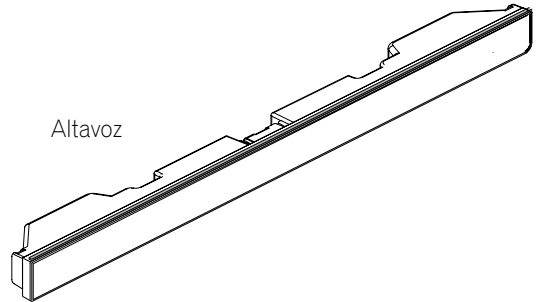


Altavoz

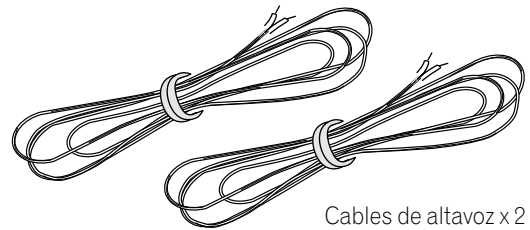


Cables de altavoz x 2

(PDP-5010FD)

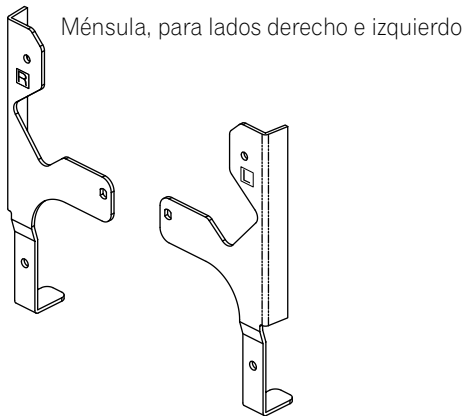


Altavoz



Cables de altavoz x 2

Accesorios de montaje de altavoz



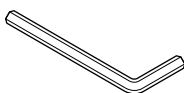
Ménsula, para lados derecho e izquierdo

Ménsula para el centro

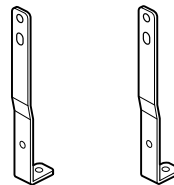


Tornillos de montaje de altavoz
(M5 x 10 mm: negro) x 10

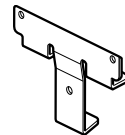
Llave hexagonal
(Lado opuesto de 4 mm para uso con M5) x 1



Accesorios de montaje de altavoz



Ménsulas para los lados x 2



Ménsula para el centro



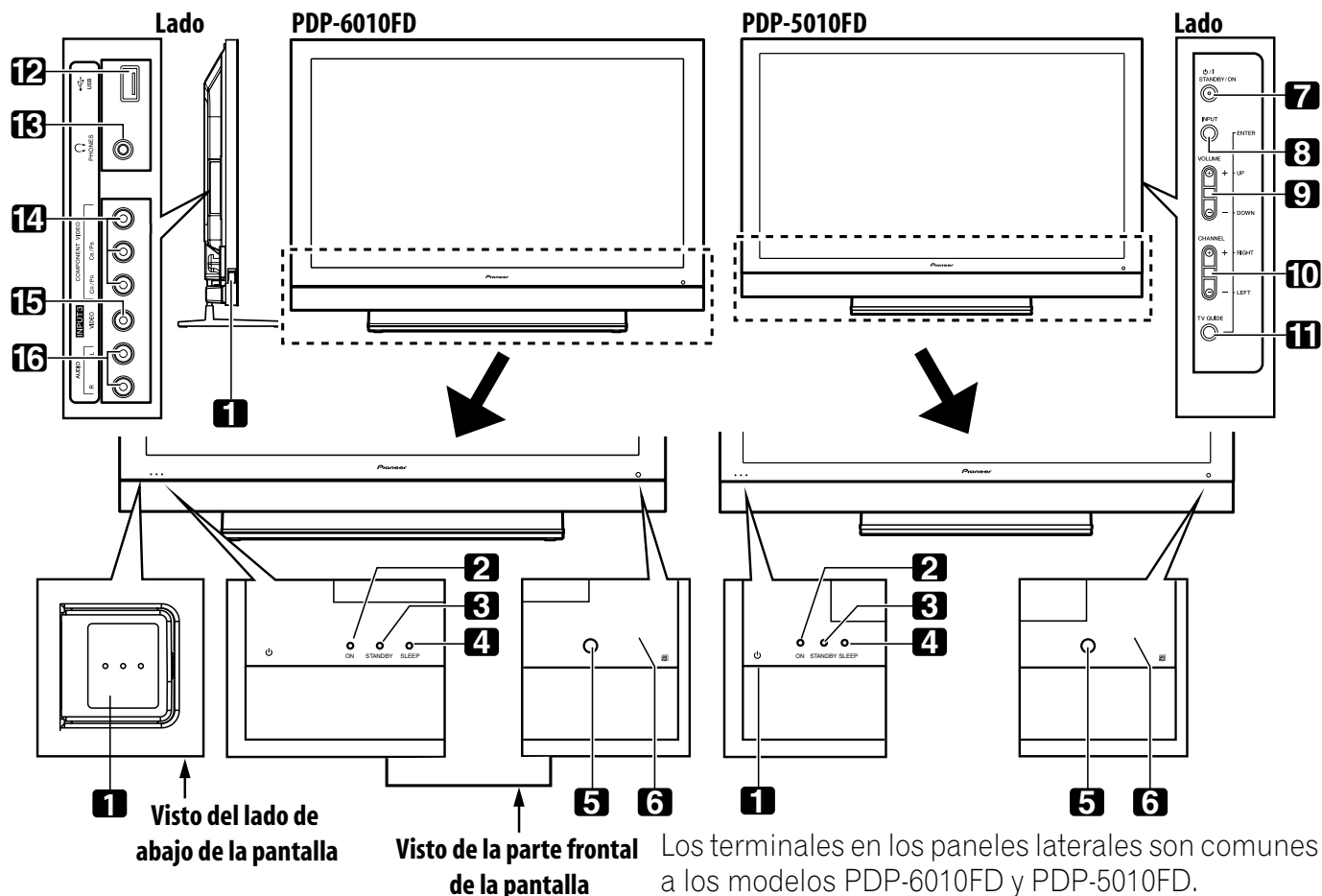
Tornillos de montaje de altavoz
(M5 x 10 mm: negro) x 9

Capítulo 4

Nombres de los componentes

Pantalla de plasma

(Parte frontal)



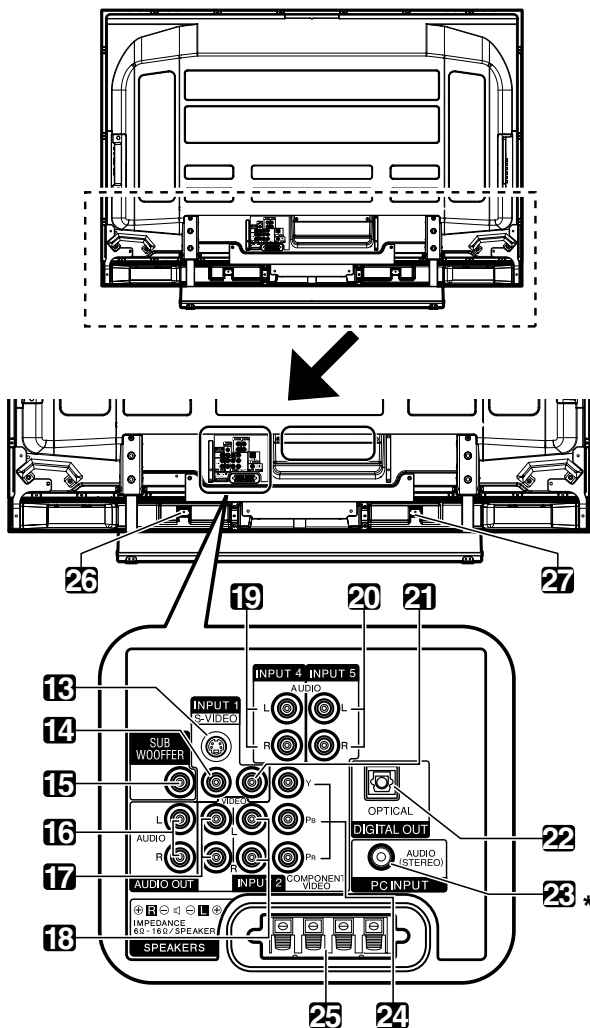
- 1 Botón (Este botón se ubica en la parte inferior del panel lateral de la pantalla de plasma para el modelo PDP-6010FD, y en la parte inferior del panel trasero para el modelo PDP-5010FD. (Vea **1** en la página 15.) Si se desactiva el botón, la alimentación no se conectará aún cuando se pulse **TV** en el mando a distancia o **STANDBY/ON** en la pantalla de plasma. Para conectar la alimentación, pulse (para PDP-5010FD) o deslice hacia arriba (para PDP-6010FD)).
- 2 Indicador POWER ON (Consulte la página 33.)
- 3 Indicador STANDBY (Consulte la página 33.)
- 4 Indicador SLEEP
- 5 Sensor de luz de la habitación
- 6 Sensor del mando a distancia

Los terminales en los paneles laterales son comunes a los modelos PDP-6010FD y PDP-5010FD.

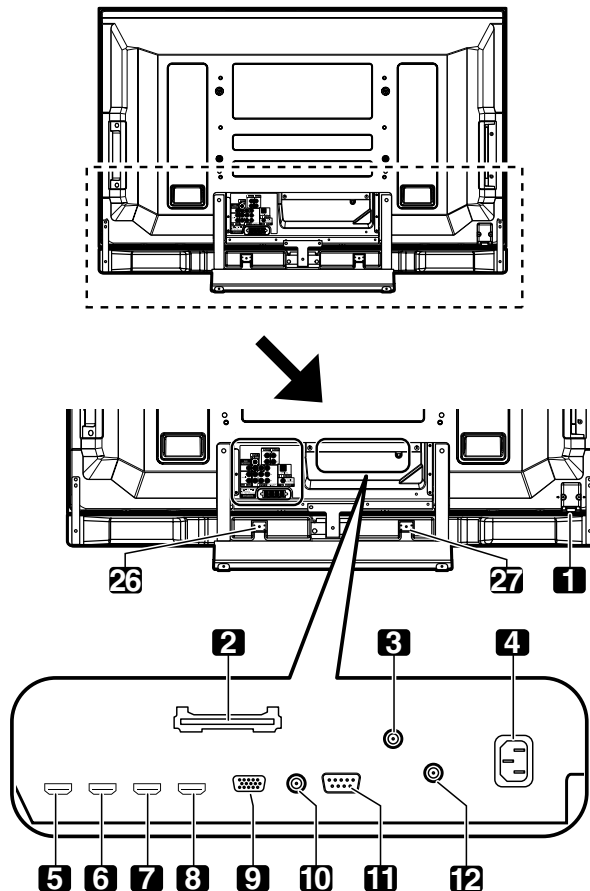
- 7 Botón **STANDBY/ON**
- 8 Botón **INPUT** (Botón **ENTER***)
- 9 Botones **VOLUME UP/DOWN** (Botones **UP/DOWN***)
- 10 Botones **CHANNEL UP/DOWN** (Botones **LEFT/RIGHT***)
- 11 Botón **TV GUIDE***
- 12 Puerto USB
- 13 Terminal PHONES (auriculares)
- 14 Terminales INPUT 3 (COMPONENT VIDEO: Y, PB, PR)
- 15 Terminal INPUT 3 (VIDEO)
- 16 Terminales INPUT 3 (AUDIO)

Los botones con asteriscos (*) pueden operar el sistema TV Guide On Screen™.

(Parte trasera) PDP-6010FD



PDP-5010FD



***Para las posiciones exactas de los terminales, refiérase a la hoja de posiciones de los terminales que se encuentra en el compartimiento de los terminales.**

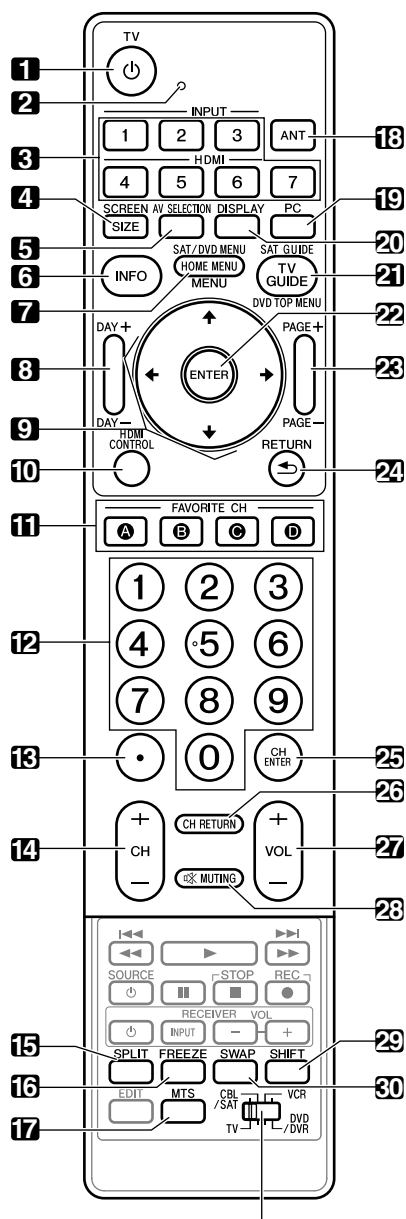
Los terminales en el panel trasero son comunes a los modelos PDP-6010FD y PDP-5010FD.

- 1 Botón
- 2 Ranura CableCARD™
- 3 Terminal ANT/CABLE A IN
- 4 Terminal AC IN
- 5 Terminal INPUT 4 (HDMI)
- 6 Terminal INPUT 5 (HDMI)
- 7 Terminal INPUT 6 (HDMI)
- 8 Terminal INPUT 7 (HDMI)
- 9 Terminal PC INPUT (ANALOG RGB)
- 10 Terminal CONTROL OUT
- 11 Terminal RS-232C (se usa para la configuración de fábrica)
- 12 Terminal ANT B IN
- 13 Terminal INPUT 1 (S-VIDEO)
- 14 Terminal INPUT 1 (VIDEO)

- 15 Terminal SUB WOOFER
- 16 Terminales AUDIO OUT (AUDIO)
- 17 Terminales INPUT 1 (AUDIO)
- 18 Terminales INPUT 2 (AUDIO)
- 19 Terminales INPUT 4 (AUDIO)
- 20 Terminales INPUT 5 (AUDIO)
- 21 Terminal INPUT 2 (VIDEO)
- 22 Terminal DIGITAL OUT (OPTICAL)
- 23 Terminal PC INPUT (AUDIO)
- 24 Terminales INPUT 2 (COMPONENT VIDEO: Y, PB, PR)
- 25 Terminales SPEAKERS (R/L)
- 26 Terminal SPEAKERS (R) (Lado del altavoz)
- 27 Terminal SPEAKERS (L) (Lado del altavoz)

Mando a distancia

En esta sección se describen las funciones de los botones que se encuentran disponibles cuando el interruptor de modo ha sido ajustado a TV. Para los botones para controlar otros equipos, consulte *Utilización del mando a distancia para controlar otros dispositivos* a partir de la página 89.



Interruptor de modo
(con "TV" seleccionado)

- 1 TV**: Enciende la pantalla de plasma o colócala en el modo de espera.
- 2**: LED de confirmación de transmisión
- 3 INPUT**: Selecciona una fuente de entrada de la pantalla de plasma. ("ENTRADA 1", "ENTRADA 2", "ENTRADA 3", "ENTRADA 4", "ENTRADA 5", "ENTRADA 6" y "ENTRADA 7")
- 4 SCREEN SIZE**: Selecciona el tamaño de la pantalla.

- 5 AV SELECTION**: Selecciona las configuraciones de audio y vídeo. (Fuente de AV: ÓPTIMO, ESTÁNDAR, DINÁMICO, PELÍCULA, JUEGO, USUARIO. Fuente de PC: ESTÁNDAR, USUARIO.)
- 6 INFO**: Visualiza un rótulo de canal cuando se está viendo un programa de TV. Cuando el sistema TV Guide On Screen™ está funcionando, visualiza la información sobre el canal iluminado actualmente (si disponible).
- 7 HOME MENU**: Visualiza la pantalla del MENÚ PRINCIPAL.
- 8 MENU**: Visualiza un menú de panel cuando el sistema TV Guide On Screen™ está en operación.
- 9 DAY +/-**: Salta al día siguiente o anterior de la lista de programas en el servicio de lista de TV Guide On Screen™.
- 9**: Selecciona un ítem deseado en la pantalla del menú.
- 10 HDMI CONTROL**: Visualiza el menú de control HDMI.
- 11 FAVORITE CH (A, B, C, D)**: Selecciona cualquiera de los cuatro canales preajustados. Consulte la página 49 para los detalles sobre cómo configurar FAVORITE CH. Mientras ve televisión, puede alternar entre los canales ajustados pulsando **A, B, C y D**.
- 12 0 a 9**: Selecciona un canal.
- 13 •(punto)**: Introduce un punto.
- 14 CH +/-**: Selecciona un canal.
- 15 SPLIT**: Cambia el modo de pantalla entre 2 pantallas, imagen-en-imagen, y pantalla simple.
- 16 FREEZE**: Congela un fotograma de una imagen en movimiento. Pulse de nuevo para cancelar la función.
- 17 MTS**: Selecciona MTS/SAP o el idioma dependiendo del programa que se esté viendo.
- 18 ANT**: Selecciona la antena (A, B). Consulte la página 30 para los detalles.
- 19 PC**: Selecciona el terminal PC como una fuente de entrada.
- 20 DISPLAY**: Visualiza la información de canal.
- 21 TV GUIDE**: Visualiza el sistema TV Guide On Screen™.
- 22 ENTER**: Ejecuta un comando.
- 23 PAGE +/-** (para el sistema sistema TV Guide On Screen™): Desplaza verticalmente la pantalla de lista de programas.
- 24 RETURN**: Vuelve a la pantalla del menú anterior.
- 25 CH ENTER**: Ejecuta un número de canal.
- 26 CH RETURN**: Vuelve al canal anterior. Se desactiva este botón mientras se visualiza el sistema TV Guide On Screen™.
- 27 VOL +/-**: Ajusta el volumen.
- 28**: Silencia el sonido.
- 29 SHIFT**: Desplaza la ubicación de la pantalla pequeña en el modo de imagen-en-imagen.
- 30 SWAP**: Intercambia entre dos pantallas en el modo de 2 pantallas o de imagen-en-imagen.

Botones de mando a distancia luminosos

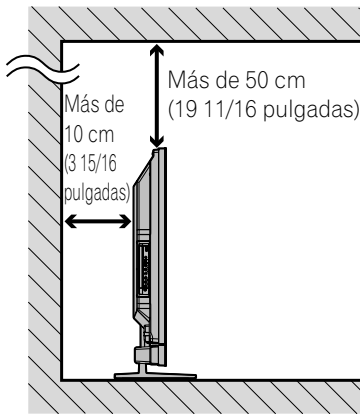
Todos los botones en el mando a distancia son luminosos y acumulan y almacenan luz. Esto permite el acceso rápido a la función deseada cuando se realizan operaciones en lugares oscuros.

Nota

- Cuando utilice el mando a distancia, apúntelo a la pantalla de plasma.
- Consulte las páginas 83 a 92 para la operación de los botones no listados en esta página.

Capítulo 5 Preparación

Instalación de la pantalla de plasma



Ubicación

- Evite la luz directa del sol. Mantenga la ventilación adecuada.

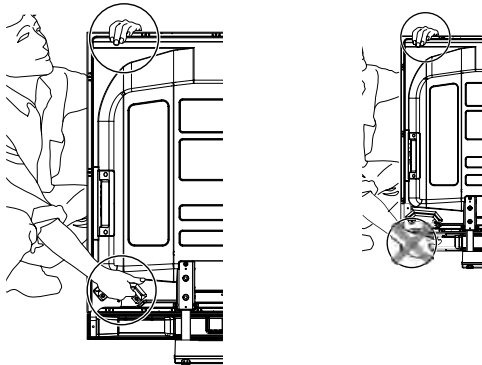
Nota

- Permita un espacio suficiente alrededor de las partes superior y trasera al instalar, para asegurar la ventilación alrededor de la parte trasera.

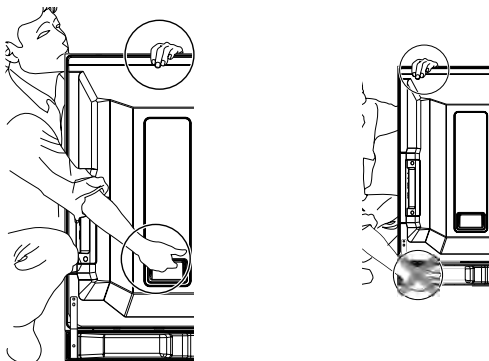
Traslado de la pantalla de plasma

Como la pantalla de plasma es pesada, asegúrese de pedir la ayuda a otra persona al trasladar la pantalla.

(PDP-6010FD)



(PDP-5010FD)



Precaución

Cuando instale en una estantería, etc., sostenga la pantalla de plasma.

Instalación del soporte Pioneer

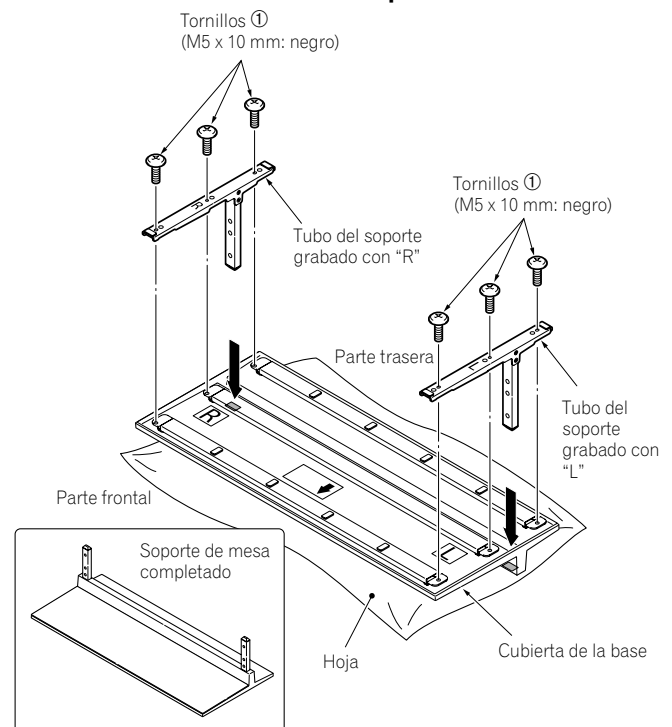
La pantalla de plasma viene con el soporte de mesa Pioneer. También puede instalar la pantalla en una estantería extrayendo el soporte. El método para instalar/extraer el soporte varía dependiendo del producto.

Precaución

- Sólo se puede utilizar este producto con el soporte instalado. La utilización de otros soportes puede causar una inestabilidad, creando el peligro lesiones.
- Una pantalla de plasma de 60 pulgadas pesa aproximadamente 55,5 kg (122,4 libras), y una de 50 pulgadas pesa aproximadamente 38,5 kg (84,9 libras), no tiene profundidad y es inestable. Por lo tanto, por lo menos dos personas deben montar e instalarlo.

Montaje del soporte (PDP-6010FD solamente)

- 1 **Vuelva la cubierta de la base de modo que su lado inferior quede hacia arriba.**
- 2 **Inserte los tubos del soporte en la cubierta de la base.** Inserte el tubo del soporte (R) en el lado marcado con "R" y el tubo de soporte (L) en el lado marcado con "L".
- 3 **Apriete los tornillos ① (M5 x 10 mm: negro) para estabilizar los tubos del soporte.**



Nota

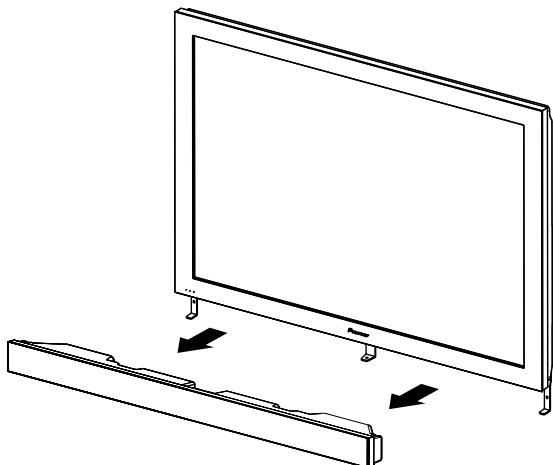
- Monte el soporte con una hoja blanda por debajo de la cubierta de base. Si no se pone una hoja antes del montaje, puede que se arañe la superficie frontal de la cubierta de la base.
- Tenga cuidado cuando instale los tubos del soporte (L) y (R) para asegurar que estén en las posiciones correctas. Instalar los tubos del soporte en posiciones incorrectas puede dañar el soporte.

Instalación del soporte

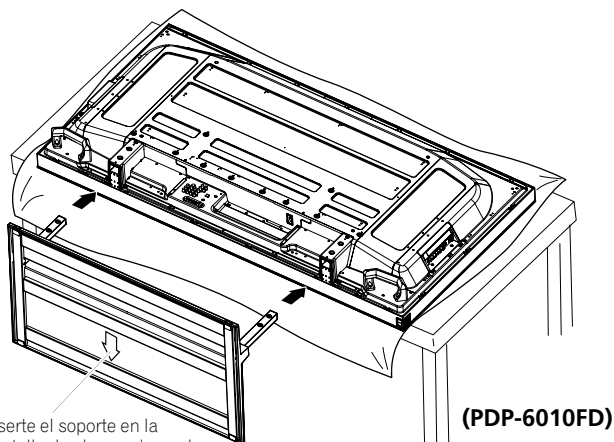
- Cuando se monta la pantalla de plasma sin el altavoz suministrado, comience con el paso 2.
- Además del altavoz, los pasos para instalar el soporte son iguales para los modelos PDP-6010FD y PDP-5010FD (utilice los agujeros de tornillo con "T" grabado).

1 Extraiga el altavoz suministrado cuando vaya a montar la pantalla de plasma en una pared, con el altavoz instalado.

- Para extraer el altavoz, saque el cableado para el altavoz en la parte trasera y los tornillos en la parte inferior del altavoz y, a continuación, extráigalo (consulte las ilustraciones en la página 22 para el modelo PDP-6010FD y en la página 26 para el modelo PDP-5010FD).

**2 Con la pantalla de plasma acostada en una superficie plana, ajuste las columnas de apoyo del soporte en la parte inferior de la pantalla de plasma como se indica por las flechas y, a continuación, insértelas lentamente.**

- Tenga extremo cuidado en no insertar las columnas de apoyo del soporte en cualquier parte de la pantalla de plasma que no sea una ranura de inserción del soporte. Hacer esto puede dañar el panel de la pantalla de plasma o sus aberturas, o alabear el soporte.



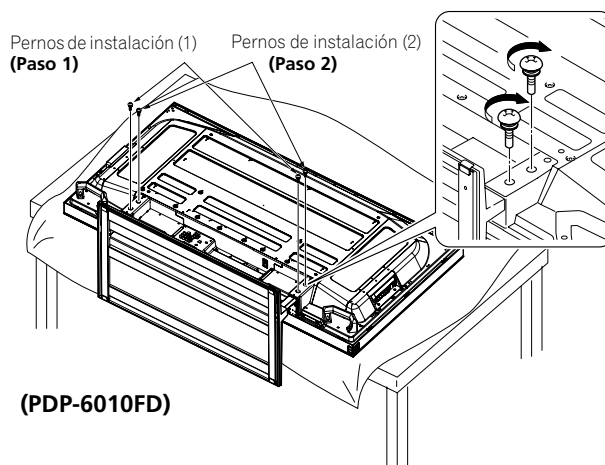
Inserte el soporte en la pantalla de plasma de modo que la flecha con la marca "FRONT/FACE AVANT" grabada en el fondo del soporte quede hacia abajo.

(PDP-6010FD)

3 Fije el soporte en los puntos indicados por las flechas y apriete los pernos de instalación (2) y (1) firmemente con un destornillador.

Pernos de instalación (1): M8 x 23 mm (negro) para PDP-5010FD
M6 x 20 mm (negro) para PDP-6010FD

Pernos de instalación (2): M8 x 40 mm (negro) para PDP-5010FD
M6 x 20 mm (negro) para PDP-6010FD



(PDP-6010FD)

4 Vuelva a poner la pantalla de plasma de pie. Para la instalación del altavoz, consulte "Instalación del altavoz Pioneer".**Nota**

- Asegúrese de instalar la pantalla de plasma en una ubicación plana y estable.
- Inserte los tornillos en los agujeros verticalmente y apriételos.
- Coloque una hoja o cubierta protectora para proteger la pantalla contra arañazos o daños.
- Trabaje solamente con la pantalla de plasma acostada en una superficie plana, como en una mesa o superficie similar.
- Cuando acueste la pantalla de plasma, tenga cuidado en no arañar o dañarla.

Instalación del altavoz Pioneer**Precaución**

- Si desea trasladar la pantalla de plasma, asegúrese de sacar el altavoz primero. Además, no traslade la pantalla sosteniendo los accesorios de montaje. Esto puede causar lesiones personales o daños del producto.

Acerca del altavoz

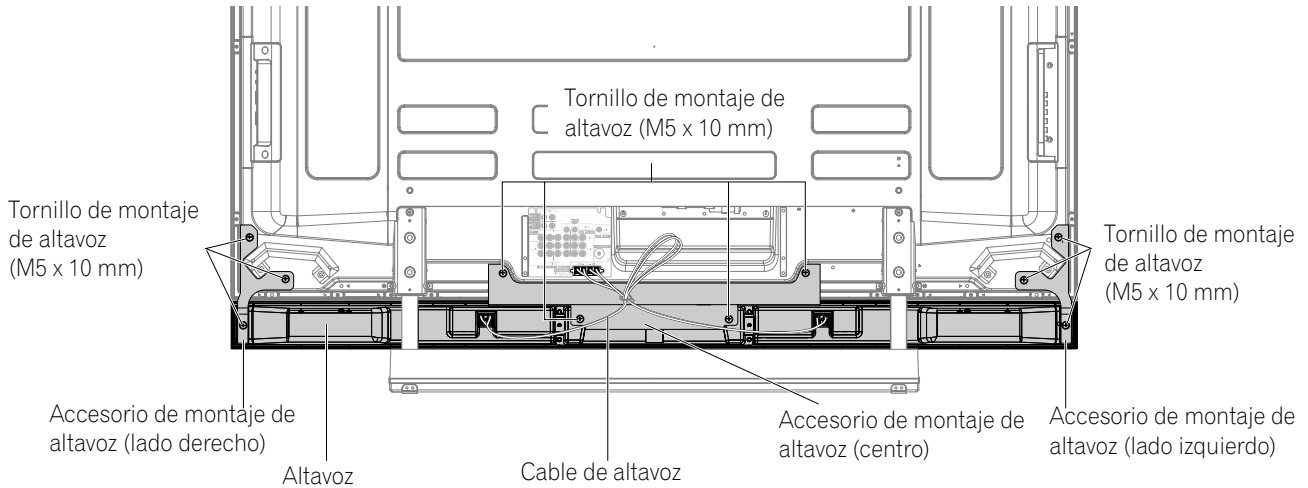
- Para evitar daños al sistema de altavoz resultante de una sobrecarga de entrada, observe las siguientes precauciones:
- No utilice el altavoz con cualquier cosa que no sea la pantalla de plasma. Hacer esto puede resultar en daños o incendio.
- Asegúrese de apagar los dispositivos conectados y de desenchufar el cable de alimentación de la toma de corriente antes de cambiar cualquier conexión o instalación.
- Cuando utilice una función de control de tono para realzar grandemente los sonidos agudos, no utilice un volumen excesivo del amplificador.
- Manipule el altavoz con suficiente cuidado, ya que la reja y la caja pueden dañarse o romperse cuando se sujetan a fuertes impactos externos.
- Colocar un monitor CRT cerca del altavoz puede causar interferencia o distorsión de los colores. Si esto ocurre, aleje el monitor del altavoz.

Instalación

- El altavoz es ancho, y puede quedarse inestable cuando instalado por sólo una persona. Esto puede causar lesiones personales o daños del producto. Por lo tanto, por lo menos dos personas deben montar e instalarlo.

- Cuando instale el altavoz, no utilice tornillos diferentes de los suministrados; de lo contrario, el altavoz puede soltarse de la unidad principal y caer.
- Cuando instale el altavoz, apriete los tornillos firmemente.

PDP-6010FD con altavoz instalado (con el soporte de mesa Pioneer)

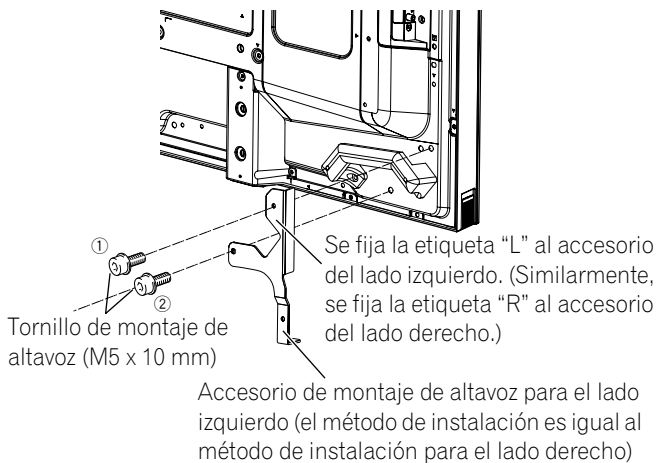


Nota

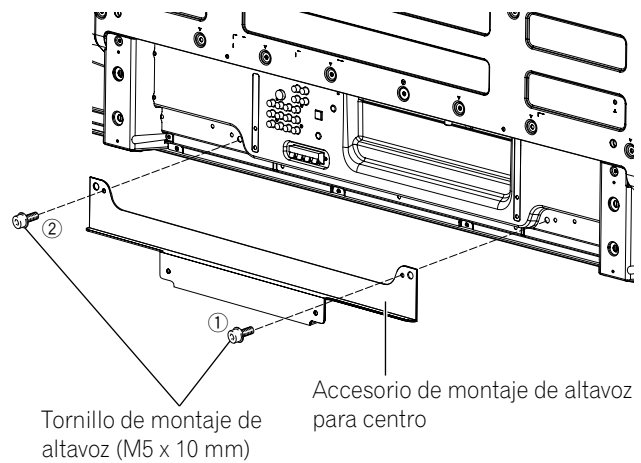
- Antes de instalar el altavoz, asegúrese de que el soporte de mesa Pioneer esté instalado en la pantalla de plasma.

1 Instale los accesorios de montaje de altavoz en la parte trasera de la pantalla de plasma.

- Instale los accesorios para los lados derecho e izquierdo en las partes inferiores derecha e izquierda del panel trasero de la pantalla de plasma utilizando los tornillos suministrados.
- Apriete con los dedos los dos tornillos en el orden de ① seguido por ②.



- Instale el accesorio central en el centro inferior del panel trasero de la pantalla de plasma utilizando los dos tornillos suministrados.
- Apriete los dos tornillos en el orden de ①, ② como se muestra en el dibujo.
- Cuando instale los tornillos, coloque los tornillos ① y ② a través de los agujeros en el accesorio central.



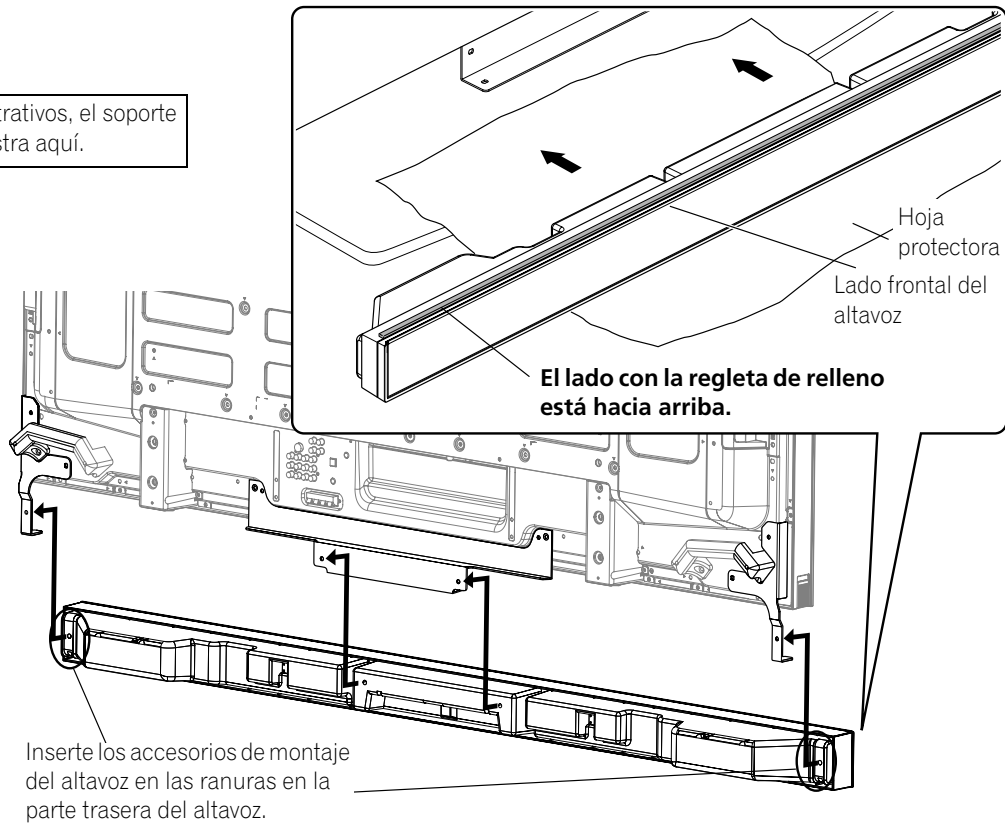
Nota

- Consulte la página 22 para los procedimientos de montaje del altavoz cuando utilice la unidad de montaje en pared.

2 Ajuste al altavoz en los accesorios de montaje en la dirección correcta.

- Asegúrese de no montar el altavoz al revés.

Para propósitos ilustrativos, el soporte de mesa no se muestra aquí.

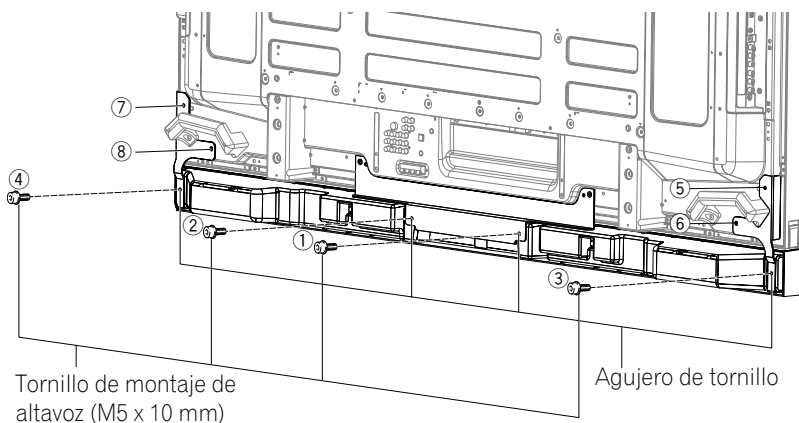


Precaución

- Para evitar cualquier daño al altavoz y/o soporte de mesa debido a impactos entre los mismos, ajuste el altavoz en los accesorios de montaje teniendo en cuenta sus ubicaciones. Como puede golpear fácilmente el soporte, utilice la hoja protectora en la cual el altavoz estaba envuelto entre el altavoz y el soporte.
- Cuando los accesorios de montaje del altavoz no se ajustan en las ranuras en la parte trasera del altavoz, ajuste el ángulo de los accesorios de montaje de altavoz.

3 Fije los accesorios de montaje del altavoz y el altavoz con los tornillos suministrados.

- Primero fije la parte central del altavoz con los tornillos suministrados y, a continuación, fije los lados derecho e izquierdo de la misma manera.
- Apriete los cuatro tornillos en el orden de ①, ②, ③, ④ como se muestra en el dibujo.



Precaución

- Si desea trasladar la pantalla de plasma, asegúrese de sacar el altavoz primero. Además, no traslade la pantalla de plasma sosteniendo los accesorios de montaje. Esto puede causar lesiones personales o daños del producto.

Se utiliza el agujero de tornillo en la superficie inferior del accesorio de montaje del altavoz cuando se instala la pantalla de plasma en una pared. No se utiliza cuando se instala con el soporte.

Nota

- Si después de fijar el altavoz, se necesite ajustar su posición horizontal o verticalmente, primero afloje los tornillos de montaje de altavoz, reubique el altavoz y, a continuación, apriete de nuevo los tornillos en la posición apropiada.

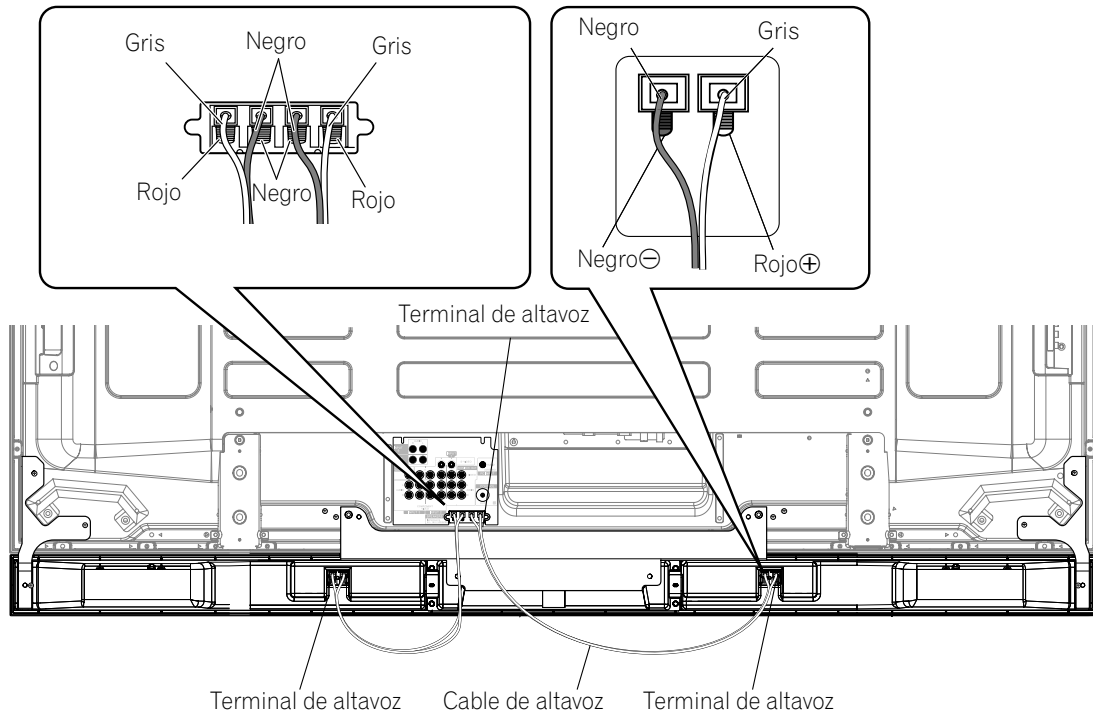
4. Apriete firmemente los cuatro tornillos ⑤, ⑥, ⑦, ⑧ que se muestran en el dibujo de arriba.

5 Conecte los cables de altavoz suministrados a la parte trasera de la pantalla de plasma.

Conecte los cables correctamente con respecto a la polaridad de la pantalla de plasma y de los terminales de altavoz, o sea, el cable ⊕ a los terminales ⊕ y el cable ⊖ a los terminales ⊖. Para hacer eso, conecte el cable gris a los terminales ⊕ y el cable blanco a los terminales ⊖.

6 Conecte el otro extremo de los cables de altavoz al altavoz.

Conecte los cables correctamente con respecto a la polaridad de la pantalla de plasma y de los terminales de altavoz, o sea, el cable ⊕ a los terminales ⊕ y el cable ⊖ a los terminales ⊖. Para hacer eso, conecte el cable gris a los terminales ⊕ y el cable blanco a los terminales ⊖.

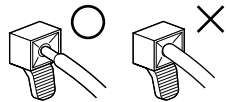
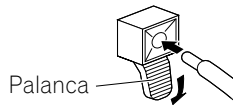


Nota

- Presione la palanca e inserte el extremo del cable.
- Al soltar la palanca, la misma sujeta el cable de altavoz.

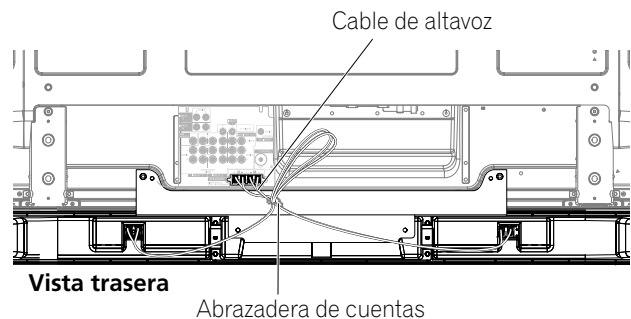
Precaución

- Asegúrese de apagar los dispositivos conectados y de desenchufar el cable de alimentación de la toma de corriente antes de cambiar cualquier conexión o instalación.
- Si inserta el cable de altavoz demasíadamente de modo que el aislamiento toque el terminal de altavoz, puede que no obtenga ningún sonido. Insértelo con el conductor de cobre visible.
- Compruebe que los extremos de los cables de altavoz estén conectados firmemente a los terminales, tirando de los cables ligeramente después de hacer las conexiones. Conexiones flojas pueden interrumpir el sonido o producir ruido.
- Si hay un cortocircuito en los cables ⊕ y ⊖ causado por un hilo expuesto, puede que se aplique una carga excesiva a la pantalla de plasma, resultando en la interrupción de la operación o fallo de funcionamiento.
- Conexiones incorrectas de los cables de altavoz a los lados derecho o izquierdo de los terminales de la pantalla de plasma con respecto a la polaridad puede resultar en efectos de sonido estéreo insuficientes, produciendo sonidos de bajos de calidad inferior o una imagen sonora inestable.
- Ate el cable sin tirarlo.



7 Ate los cables.

- Las abrazaderas de cuentas se incluyen con la pantalla de plasma.
- Utilice las abrazaderas de cuentas como sea necesario.
- Cuando ordene los cables de altavoz, asegúrese de atarlos en un fardo de modo que no queden sujetos a ninguna presión.



Cuando utilice la unidad de montaje en pared (PDP-6010FD)

Nota

- Primero acoste la pantalla de plasma sobre una hoja blanda, etc., saque el soporte y, a continuación, instale los accesorios de montaje de altavoz.
- Instale la pantalla de plasma en la pared solamente con los accesorios de montaje del altavoz y el cable de altavoz instalado en la pantalla y, a continuación, instale el altavoz. (Consulte la página 19.)
- Para facilitar la fijación del cableado, se recomienda completar el cableado en los lados de la pantalla de plasma antes de montar el altavoz en la pantalla.

Precaución

- Tenga cuidado con los accesorios de montaje de altavoz cuando instale o conecte. Esto puede resultar en lesiones.

1 Conecte los cables de altavoz suministrados a la parte trasera de la pantalla de plasma.

2 Coloque la pantalla de plasma en los accesorios de montaje de la unidad de montaje en pared.

Para los detalles, consulte el manual de instrucciones suministrado con la unidad de montaje en pared.

3 Conecte el otro extremo de los cables de altavoz al altavoz.

4 Coloque el altavoz en los accesorios de montaje del altavoz en la dirección correcta.

5 Apriete utilizando los tornillos suministrados (cuatro ubicaciones).

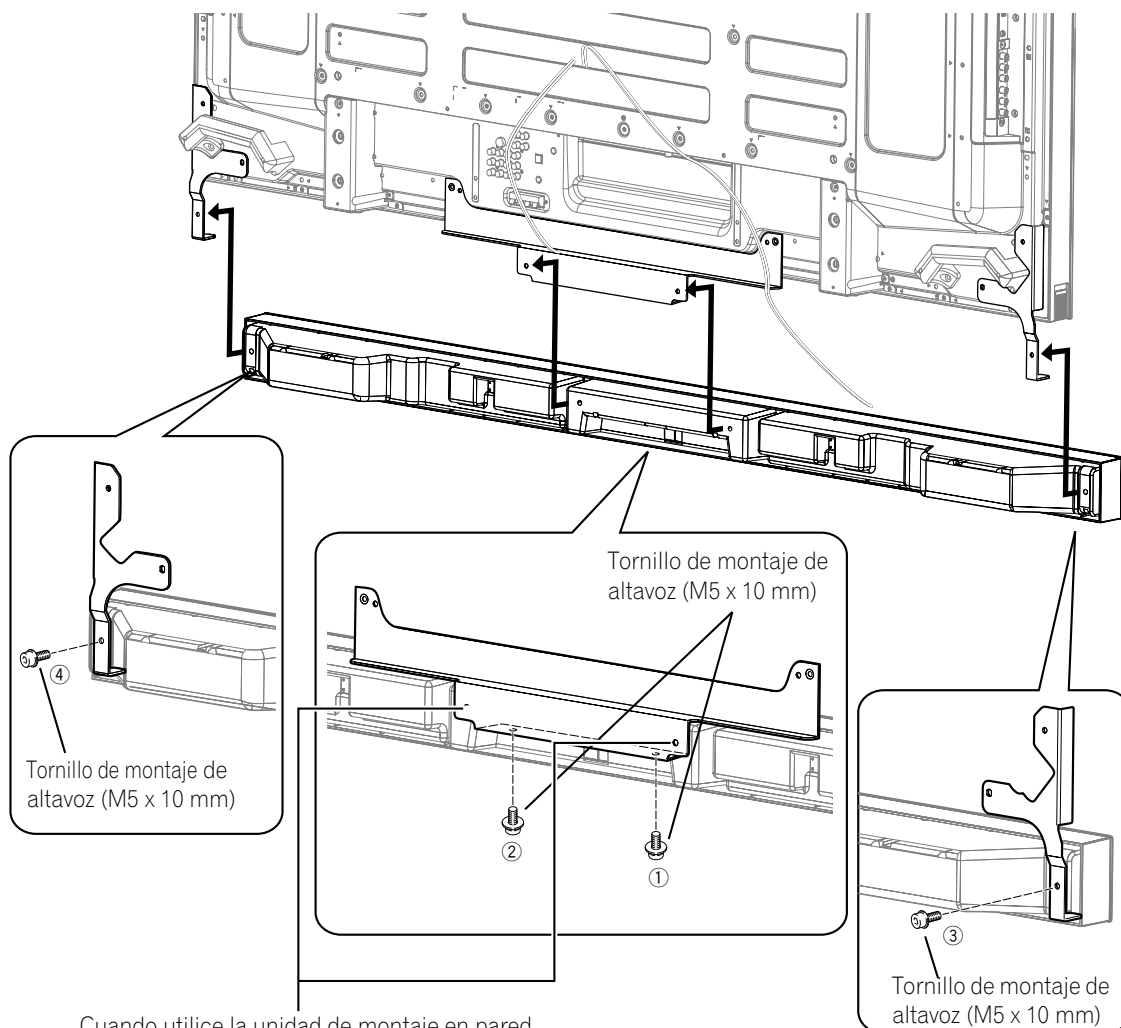
- Apriete los cuatro tornillos en el orden de ①, ②, ③, ④ como se muestra en el dibujo. Se utiliza el agujero de tornillo en la superficie trasera del accesorio de montaje del altavoz cuando se instala la pantalla de plasma en el soporte de mesa. No se utiliza cuando se instala en la pared.

Nota

- Si después de fijar el altavoz, se necesita ajustar su posición horizontal, primero afloje los tornillos de montaje de altavoz, reubique el altavoz y, a continuación, apriete de nuevo los tornillos en la posición apropiada.

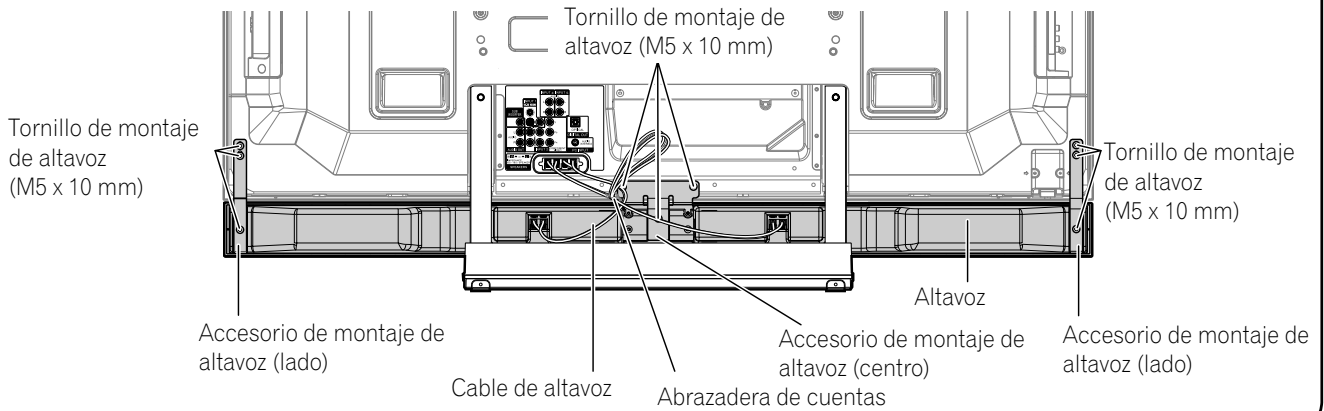
6 Ate los cables.

- Las abrazaderas de cuentas se incluyen con la pantalla de plasma.
- Utilice las abrazaderas de cuentas como sea necesario.
- Cuando ordene los cables de altavoz, asegúrese de atarlos en un fardo de modo que no queden sujetos a ninguna presión.



Cuando utilice la unidad de montaje en pared, no utilice estos agujeros.

**PDP-5010FD con altavoz instalado
(con el soporte de mesa Pioneer)**



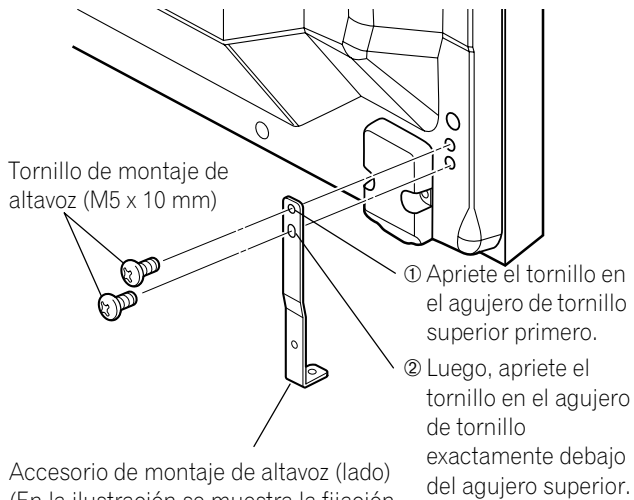
Nota

• Antes de instalar el altavoz, asegúrese de el soporte de mesa Pioneer esté instalado en la pantalla de plasma.

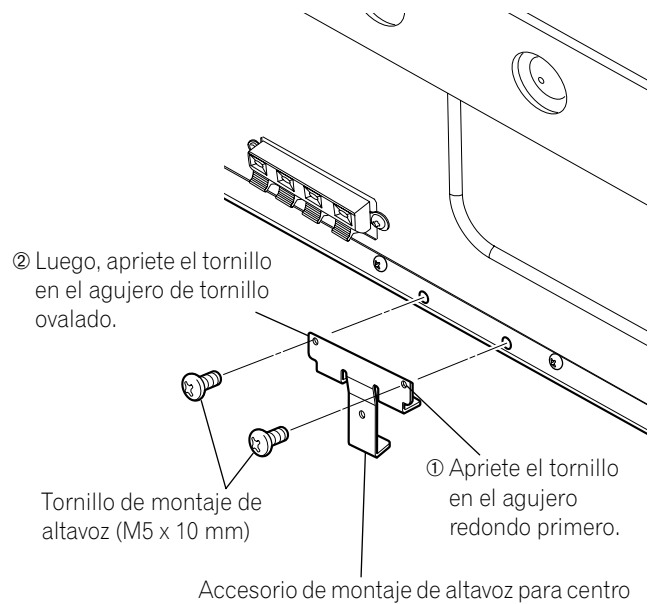
• Instale el accesorio para el centro en el centro inferior del panel trasero de la pantalla de plasma utilizando los dos tornillos suministrados.

1 Instale los accesorios de montaje de altavoz en la parte trasera de la pantalla de plasma.

• Instale los accesorios para los lados derecho e izquierdo en las partes inferiores derecha e izquierda del panel trasero de la pantalla de plasma utilizando los tornillos suministrados.

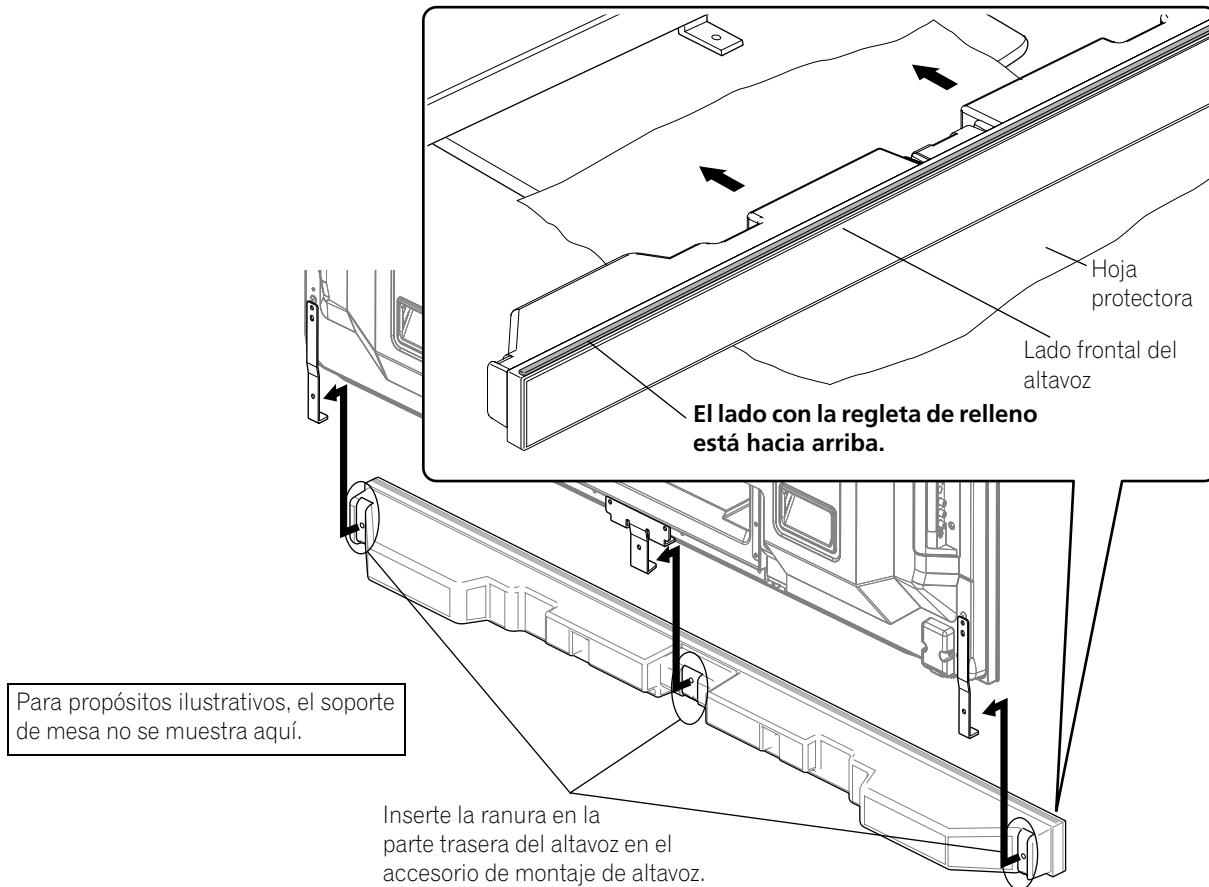


Accesorio de montaje de altavoz (lado)
(En la ilustración se muestra la fijación del accesorio en el lado izquierdo. Se fija en el lado derecho mediante el mismo procedimiento.)



2 Ajuste al altavoz en los accesorios de montaje en la dirección correcta.

- Asegúrese de no montar el altavoz al revés.

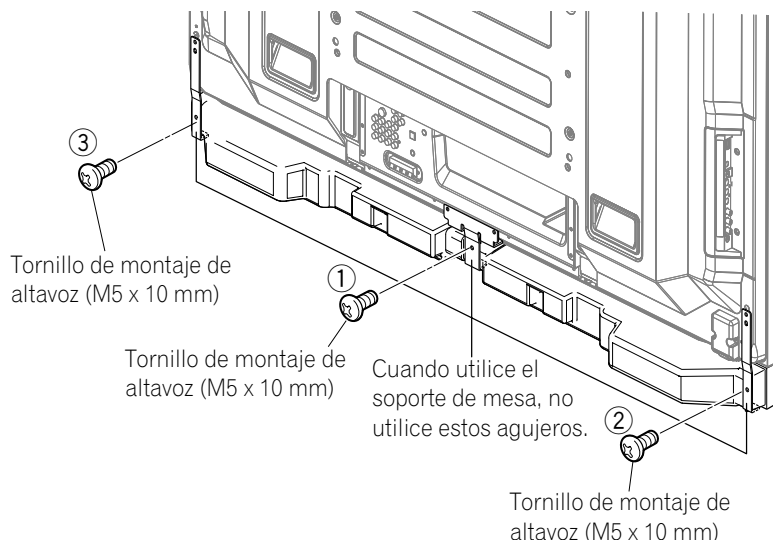


Precaución

- Para evitar cualquier daño al altavoz y/o soporte de mesa debido a impactos entre los mismos, ajuste el altavoz en los accesorios de montaje teniendo en cuenta sus ubicaciones. Como puede golpear fácilmente el soporte, utilice la hoja protectora en la cual el altavoz estaba envuelto entre el altavoz y el soporte.
- Cuando los accesorios de montaje del altavoz no se ajustan en las ranuras en la parte trasera del altavoz, ajuste el ángulo de los accesorios de montaje de altavoz.

3 Apriete desde la parte trasera utilizando los tornillos suministrados (tres sitios).

Apriete los tres tornillos en el orden de ①, ②, ③ como se muestra en el dibujo.



Precaución

- Si desea trasladar la pantalla de plasma, asegúrese de sacar el altavoz primero. Además, no traslade la pantalla de plasma sosteniendo los accesorios de montaje. Esto puede causar lesiones personales o daños del producto.

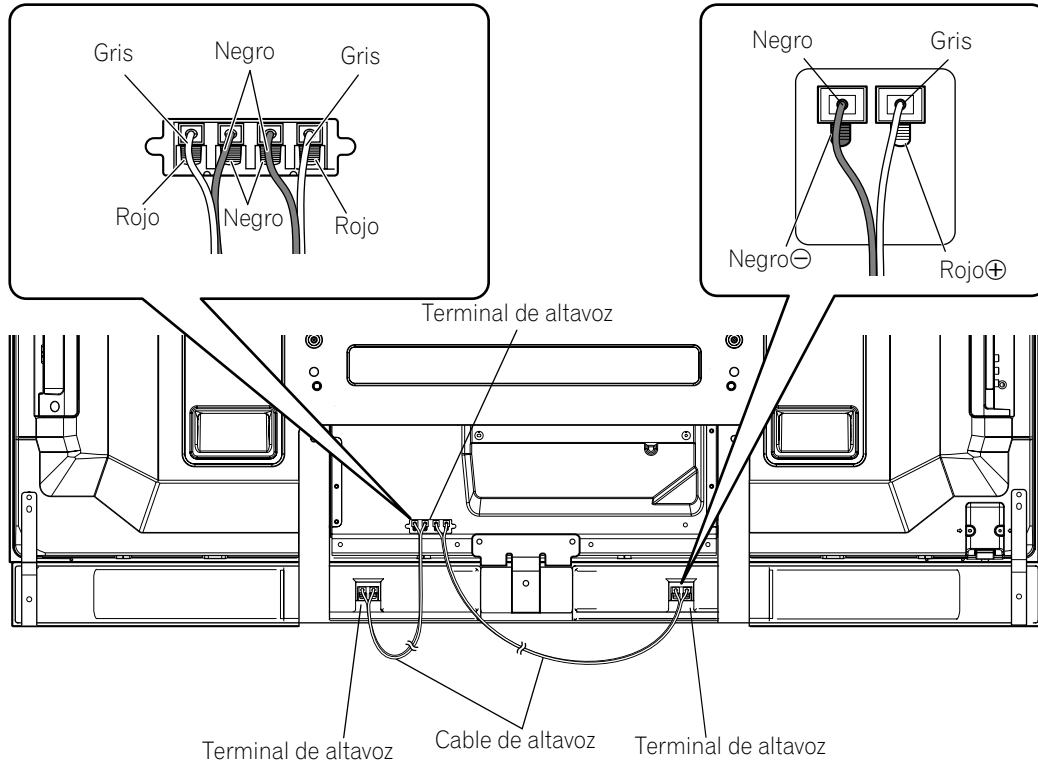
Se utiliza el agujero de tornillo en la parte inferior del accesorio de montaje del altavoz cuando se instala la pantalla de plasma en una pared. No se utiliza cuando se instala con el soporte.

Nota

- Si después de fijar el altavoz, se necesite ajustar su posición horizontal o verticalmente, primero afloje los tornillos de montaje de altavoz, reubique el altavoz y, a continuación, apriete de nuevo los tornillos en la posición apropiada.

4 Conecte los cables de altavoz suministrados a la parte trasera de la pantalla de plasma.

Conecte los cables correctamente con respecto a la polaridad de la pantalla de plasma y de los terminales de altavoz, o sea, el cable ⊕ (Gris) a los terminales ⊕ (Rojo) y el cable ⊖ (Negro) a los terminales ⊖ (Negro).

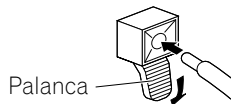


5 Conecte el otro extremo de los cables de altavoz al altavoz.

Conecte los cables correctamente con respecto a la polaridad de los terminales de altavoz, o sea, el cable ⊕ (Gris) a los terminales ⊕ (Rojo) y el cable ⊖ (Negro) a los terminales ⊖ (Negro).

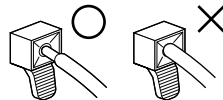
Nota

- Presione la palanca e inserte el extremo del cable.
- Al soltar la palanca, la misma sujeta el cable de altavoz.



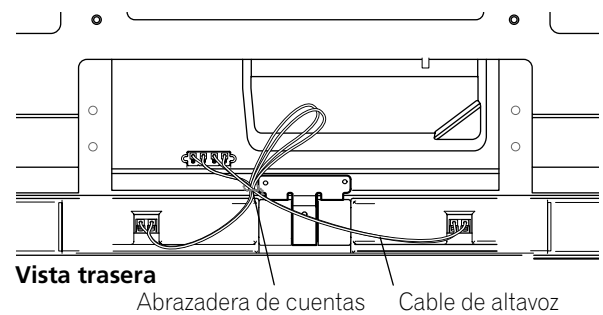
Precaución

- Asegúrese de apagar los dispositivos conectados y de desenchufar el cable de alimentación de la toma de corriente antes de cambiar cualquier conexión o instalación.
- Si inserta el cable de altavoz demasíadamente de modo que el aislamiento toque el terminal de altavoz, puede que no obtenga ningún sonido. Insértelo con el conductor de cobre visible.
- Compruebe que los extremos de los cables de altavoz estén conectados firmemente a los terminales, tirando de los cables ligeramente después de hacer las conexiones. Conexiones flojas pueden interrumpir el sonido o producir ruido.
- Si hay un cortocircuito en los cables ⊕ y ⊖ causado por un hilo expuesto, puede que se aplique una carga excesiva a la pantalla de plasma, resultando en la interrupción de la operación o fallo de funcionamiento.
- Conexiones incorrectas de los cables de altavoz a los lados derecho o izquierdo de los terminales de la pantalla de plasma con respecto a la polaridad puede resultar en efectos de sonido estéreo insuficientes, produciendo sonidos de bajos de calidad inferior o una imagen sonora inestable.
- Ate el cable sin tirarlo.



6 Ate los cables.

- Las abrazaderas de cuentas se incluyen con la pantalla de plasma.
- Utilice las abrazaderas de cuentas como sea necesario.
- Cuando ordene los cables de altavoz, asegúrese de atarlos en un fardo de modo que no queden sujetos a ninguna presión.



Cuando utilice la unidad de montaje en pared (PDP-5010FD)

Nota

- Primero acoste la pantalla de plasma sobre una hoja blanda, etc., saque el soporte y, a continuación, instale los accesorios de montaje de altavoz.

1 Instale los accesorios de montaje de altavoz en la parte trasera de la pantalla de plasma (Consulte el procedimiento 1 en la página 23).

2 Conecte los cables de altavoz suministrados a la parte trasera de la pantalla de plasma (Consulte el procedimiento 4 en la página 25).

3 Coloque la pantalla de plasma en los accesorios de montaje de la unidad de montaje en pared.

Para los detalles, consulte el manual de instrucciones suministrado con la unidad de montaje en pared.

Precaución

- Tenga cuidado con los accesorios de montaje de altavoz cuando instale o conecte. Esto puede resultar en lesiones.

4 Conecte el otro extremo de los cables de altavoz al altavoz (Consulte el procedimiento 5 en la página 25).

Precaución

- Por lo menos dos personas deben realizar este procedimiento.

5 Ajuste al altavoz en los accesorios de montaje en la dirección correcta.

Precaución

- Asegúrese de no montar el altavoz al revés.

6 Apriete desde abajo utilizando los tornillos suministrados (tres sitios).

- Apriete los tres tornillos en el orden de ①, ②, ③ como se muestra en el dibujo.

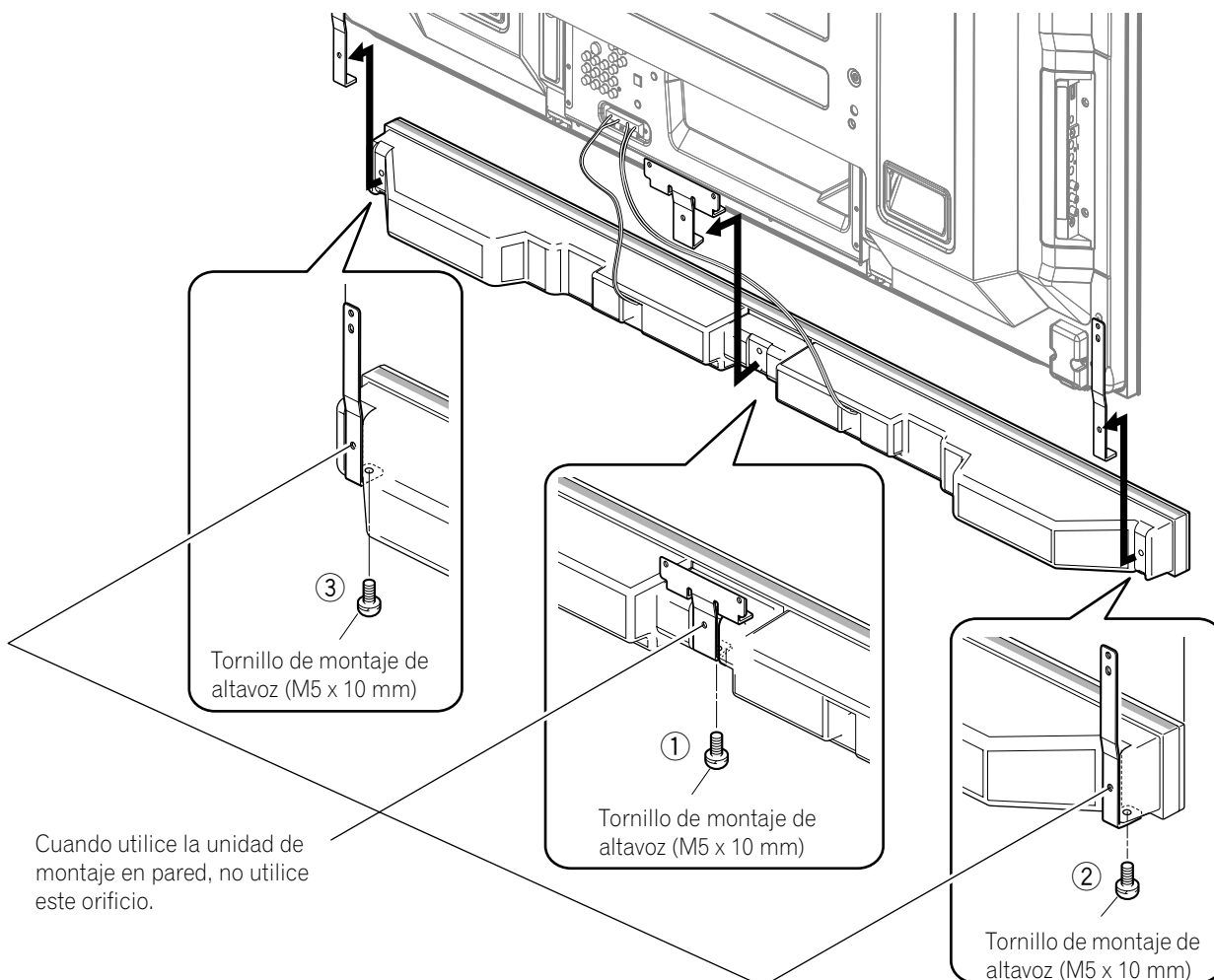
Se utiliza el agujero de tornillo en la superficie trasera del accesorio de montaje del altavoz cuando se instala la pantalla de plasma en el soporte de mesa. No se utiliza cuando se instala en la pared.

Nota

- Si después de fijar el altavoz, se necesita ajustar su posición horizontal, primero afloje los tornillos de montaje de altavoz, reubique el altavoz y, a continuación, apriete de nuevo los tornillos en la posición apropiada.

7 Ate los cables.

- Las abrazaderas de cuentas se incluyen con la pantalla de plasma.
- Utilice las abrazaderas de cuentas como sea necesario.
- Cuando ordene los cables de altavoz, asegúrese de atarlos en un fardo de modo que no queden sujetos a ninguna presión.



Prevención de caída de la pantalla de plasma

Después de instalar el soporte, asegúrese de tener especial cuidado para asegurar que la pantalla de plasma no caiga y se estabilice en la pared y en la estantería.

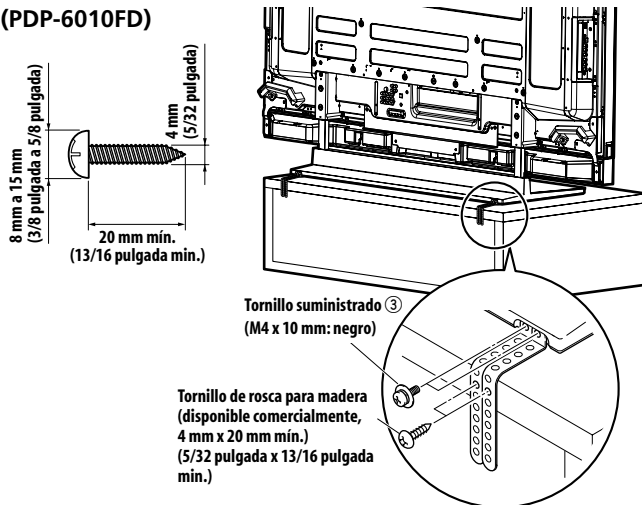
Estabilización en una mesa o estantería

Estabilice la pantalla de plasma como se muestra en el diagrama utilizando las abrazaderas de plástico y tornillos suministrados.

Nota

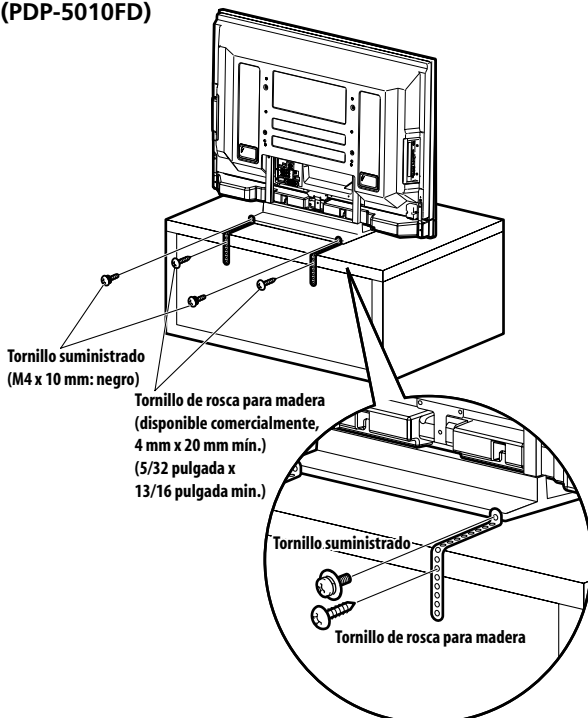
- Para estabilizar la pantalla de plasma en una mesa o estantería, utilice también tornillos de rosca para madera disponibles comercialmente con un diámetro nominal de 4 mm (5/32 pulgada) y con por lo menos de 20 mm (13/16 pulgada) de largo.

(PDP-6010FD)



Taladre un agujero en el medio del lado trasero del tablero antes de utilizar un tornillo de rosca para madera. Realice este trabajo de la misma manera en los lados izquierdo y derecho.

(PDP-5010FD)



Taladre un agujero en el medio del lado trasero del tablero antes de utilizar un tornillo de rosca para madera. Realice este trabajo de la misma manera en los lados izquierdo y derecho.

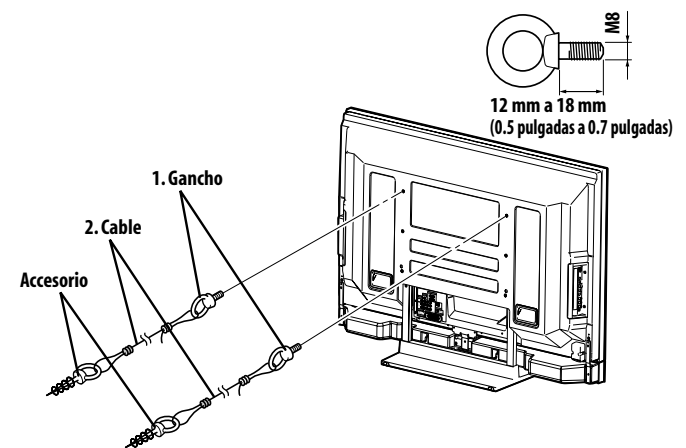
Utilización de una pared para la estabilización

- 1 Instale los pernos (ganchos) de prevención de queda en la pantalla de plasma.
- 2 Utilice cuerdas fuertes para estabilizarlo apropiada y firmemente en una pared, pilar u otro elemento robusto.

Realice este trabajo de la misma manera en los lados izquierdo y derecho.

Nota

- Utilice ganchos, cuerdas y accesorios que se encuentran disponibles en el comercio. Gancho recomendado: Diámetro nominal de 8 mm (3/8 pulgada) y largo de 12 mm a 18 mm (0.5 pulgadas a 0.7 pulgadas)



Precaución

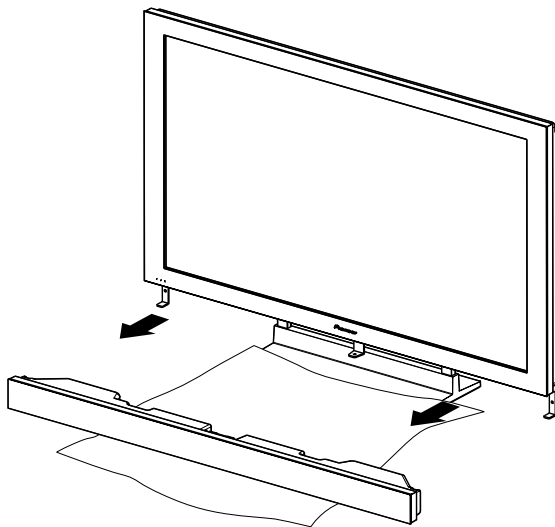
- Siempre se debe utilizar una mesa o estantería con una resistencia adecuada para soportar la pantalla de plasma. Dejar de hacer esto podría resultar en lesiones personales y daños físicos.
- Al instalar la pantalla de plasma, tome las medidas de seguridad necesarias para evitar que la pantalla caiga o se vuelque en caso de emergencias, como en terremotos o accidentes.
- Si no toma estas precauciones, la pantalla de plasma podría caer y causar lesiones.
- Los tornillos, ganchos, cuerdas, y otros accesorios que se utilice para fijar la pantalla de plasma para prevenir que se vuelque varían de acuerdo con la composición y espesor de la superficie donde se instala la pantalla.
- Seleccione los tornillos, ganchos, cuerdas y otros accesorios adecuados después de inspeccionar la superficie cuidadosamente para determinar su espesor y composición, y después de consultar un instalador profesional si fuese necesario.

Extracción del soporte Pioneer

- Cuando extraiga el soporte antes de instalar el altavoz, comience con el paso 2.
- Además del altavoz, los pasos para extraer el soporte son iguales para los modelos PDP-6010FD y PDP-5010FD.

1 Extraiga el altavoz suministrado si ya ha sido instalado.

- Para extraer el altavoz, saque el cableado y los tornillos de la parte trasera del altavoz y, a continuación, extráigalo (consulte el paso 3 en la página 20 para el modelo PDP-6010FD o el paso 3 en la página 24 para el modelo PDP-5010FD).

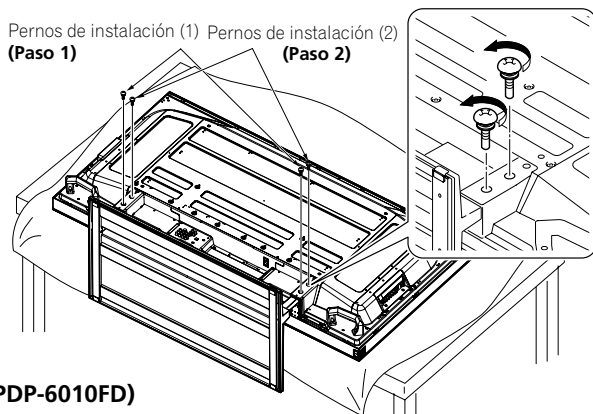


- Utilice la hoja protectora en la cual el altavoz estaba envuelto entre el altavoz y el soporte.
- Asegúrese de sacar los accesorios de montaje del altavoz.

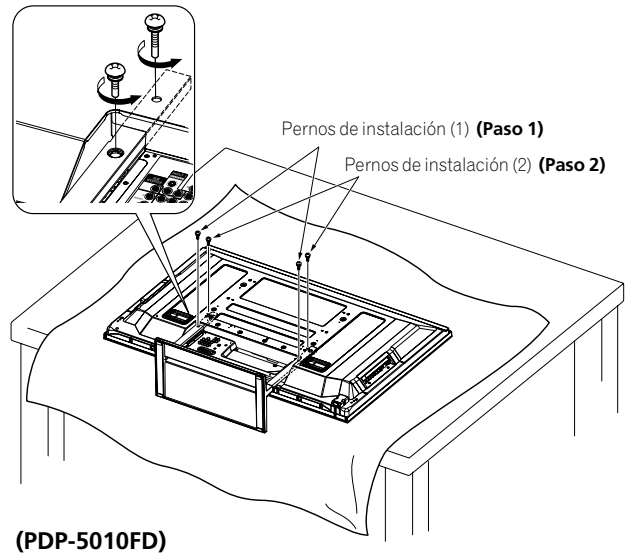
2 Con la pantalla de plasma acostada en una superficie plana, afloje y saque los dos pernos de instalación (1) y (2) con un destornillador.

Pernos de instalación (1): M8 x 23 mm (negro) para PDP-5010FD
M6 x 20 mm (negro) para PDP-6010FD

Pernos de instalación (2): M8 x 40 mm (negro) para PDP-5010FD
M6 x 20 mm (negro) para PDP-6010FD



(PDP-6010FD)



(PDP-5010FD)

3 Extraiga el soporte de la pantalla de plasma.

Nota

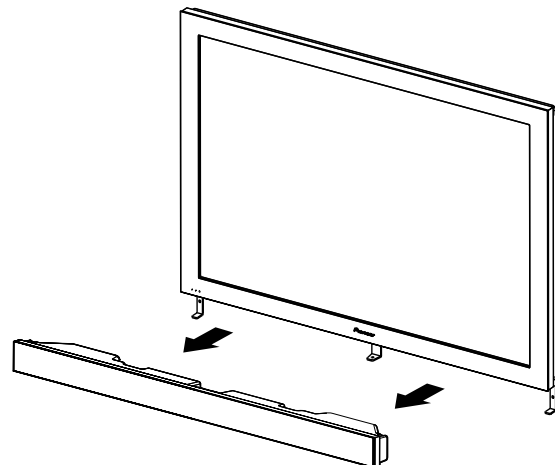
- Asegúrese de guardar los pernos de instalación (1) y (2) extraídos, ya que tendrá que reutilizarlos cuando instale nuevamente el soporte en la pantalla de plasma.
- Coloque una hoja o cubierta protectora para proteger la pantalla contra arañazos o daños.
- Trabaje solamente con la pantalla de plasma acostada en una superficie plana, como en una mesa o superficie similar.
- Cuando acueste la pantalla de plasma, tenga cuidado en no arañar o dañarla.

Reinstalación del soporte

- Cuando se monta la pantalla de plasma sin el altavoz suministrado, comience con el paso 2.
- Además del altavoz, los pasos para instalar el soporte son iguales para los modelos PDP-6010FD y PDP-5010FD (utilice los agujeros de tornillo con "T" grabado).

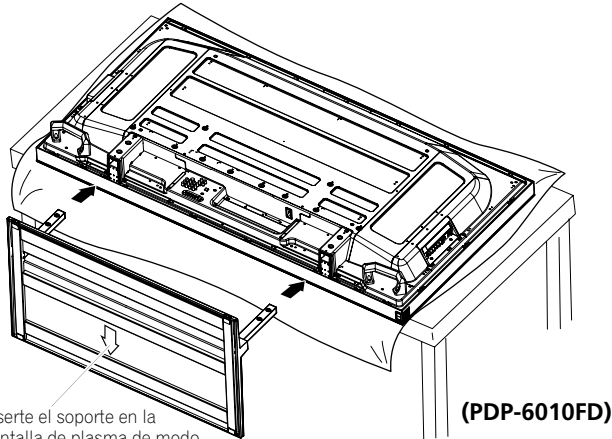
1 Extraiga el altavoz suministrado cuando vaya a montar la pantalla de plasma en una pared, con el altavoz instalado.

- Para extraer el altavoz, saque el cableado para el altavoz en la parte trasera y los tornillos en la parte inferior del altavoz y, a continuación, extráigalo (consulte las ilustraciones en la página 22 para el modelo PDP-6010FD y en la página 26 para el modelo PDP-5010FD).



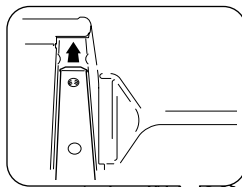
2 Con la pantalla de plasma acostada en una superficie plana, ajuste las columnas de apoyo del soporte en la parte inferior de la pantalla de plasma como se indica por las flechas y, a continuación, insértelas lentamente.

- Tenga extremo cuidado en no insertar las columnas de apoyo del soporte en cualquier parte de la pantalla de plasma que no sea una ranura de inserción del soporte. Hacer esto puede dañar el panel de la pantalla de plasma o sus aberturas, o albear el soporte.

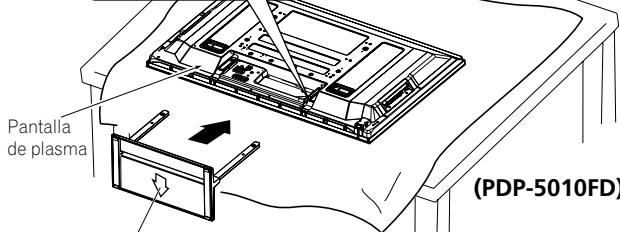


Inserte el soporte en la pantalla de plasma de modo que la flecha con la marca "FRONT/FACE AVANT" grabada en el fondo del soporte quede hacia abajo.

(PDP-6010FD)



Alinee los soportes de la columna con la parte inferior de la pantalla de plasma como se indica en el diagrama adjunto.



Pantalla de plasma

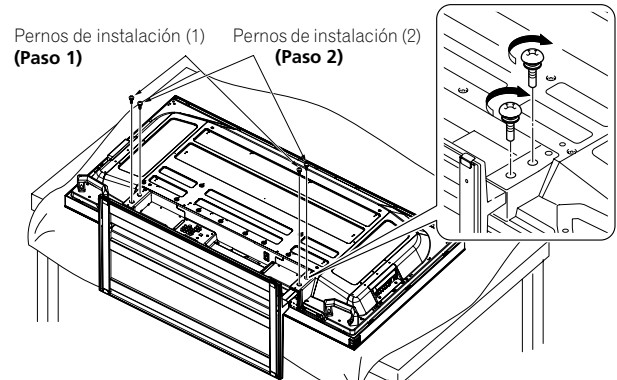
(PDP-5010FD)

Inserte el soporte en la pantalla de plasma de modo que la flecha con la marca "FRONT/FACE AVANT" grabada en el fondo del soporte quede hacia abajo.

3 Fije el soporte en los puntos indicados por las flechas y apriete los pernos de instalación (2) y (1) firmemente con un destornillador.

Pernos de instalación (1): M8 x 23 mm (negro) para PDP-5010FD
M6 x 20 mm (negro) para PDP-6010FD

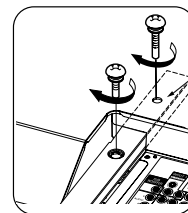
Pernos de instalación (2): M8 x 40 mm (negro) para PDP-5010FD
M6 x 20 mm (negro) para PDP-6010FD



Pernos de instalación (1) (Paso 1)

Pernos de instalación (2) (Paso 2)

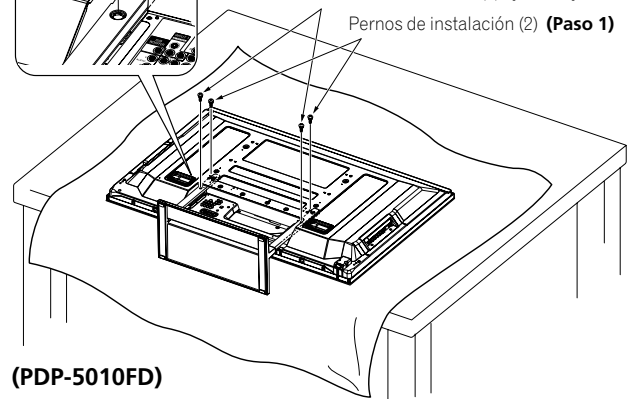
(PDP-6010FD)



Agujero de tornillo con "T" grabado

Pernos de instalación (1) (Paso 2)

Pernos de instalación (2) (Paso 1)



(PDP-5010FD)

4 Vuelva a poner la pantalla de plasma de pie. Para la instalación del altavoz, consulte "Instalación del altavoz Pioneer" en la página 18.



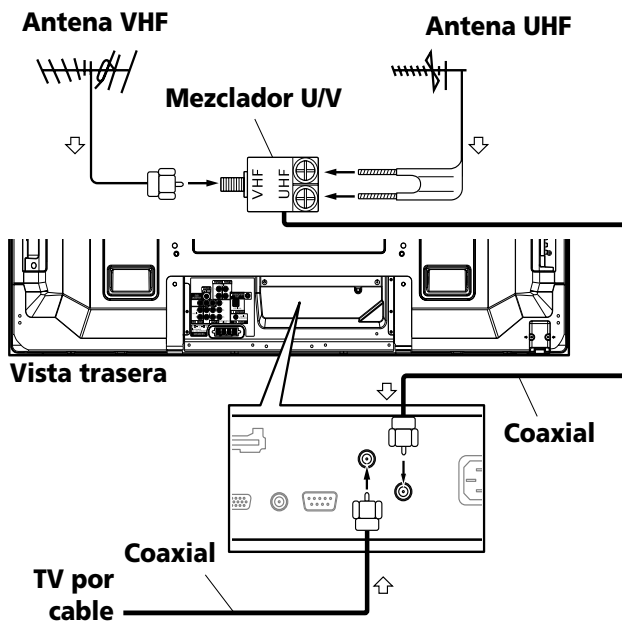
Nota

- Asegúrese de instalar la pantalla de plasma en una ubicación plana y estable.
- Inserte los tornillos en los agujeros verticalmente y apriételos.
- Coloque una hoja o cubierta protectora para proteger la pantalla contra arañazos o daños.
- Trabaje solamente con la pantalla de plasma acostada en una superficie plana, como en una mesa o superficie similar.
- Cuando acueste la pantalla de plasma, tenga cuidado en no arañar o dañarla.

Conexiones de los cables para contemplar canales de TV digitales y/o convencionales

Este sistema está equipado con dos terminales para la entrada de señales de emisión de TV: ANT/CABLE A IN y ANT B IN. El terminal ANT/CABLE A IN acepta señales de emisión de TV tanto digitales cuanto convencionales, mientras el terminal ANT B IN acepta solamente señales de emisión de TV convencionales. Cuando utilice un TV por cable para ver canales de TV digitales y/o convencionales, conecte el terminal ANT/CABLE A IN como se muestra. Además, puede conectar una antena al terminal ANT B IN como se muestra. Utilice una antena exterior para disfrutar de imágenes más claras. Si su antena exterior utiliza un cable coaxial de 75 ohmios con un conector tipo-F, enchúfela al terminal de antena en la parte trasera de la pantalla de plasma.

Conexión de antenas VHF/UHF y de un cable



Nota

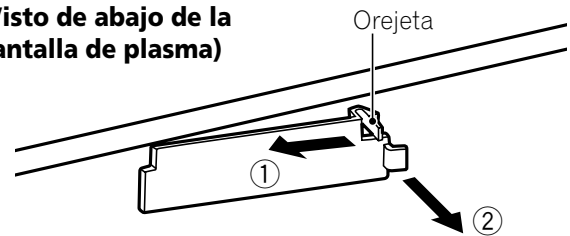
- Asegúrese de conectar los cables coaxiales como se muestra arriba. Si no se hace la conexión correctamente, puede que falle la recepción de la señal.
- Para ver canales de un TV por cable, asegúrese de conectar el cable al terminal ANT/CABLE A IN.
- Los terminales ANT/CABLE A IN y ANT B IN no deben recibir las mismas señales. Por ejemplo, no conecte un cable de un TV por cable a los terminales ANT/CABLE A IN y ANT B IN al mismo tiempo. Igualmente, no conecte un cable de una antena a los terminales ANT/CABLE A IN y ANT B IN al mismo tiempo.
- Puede que la guía de TV no esté disponible en todas las áreas y no está disponible con sistemas de satélite. Además, con el traslado de muchos proveedores de contenidos a la programación y emisión digital, puede que los datos de la guía de TV no estén disponibles o queden indisponibles.

Colocación de la tarjeta CableCARD™

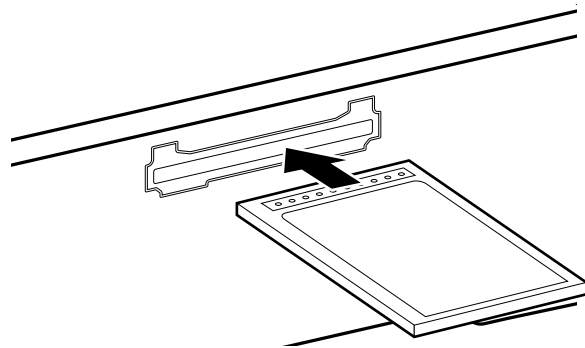
La pantalla de plasma está equipada con una ranura para la colocación de una tarjeta CableCARD™. Cuando esté viendo canales de TV digitales y/o de alta definición por cable, la tarjeta le permite utilizar el servicio POD provisto por la compañía de TV por cable; POD es la sigla de Point of Deployment. Este servicio presenta varios tipos de información útil, usando texto HTML.

- 1 Compruebe que el terminal ANT/CABLE A IN ha sido conectado con el cable coaxial desde el convertidor de TV por cable.
- 2 Sostenga y presione la orejeta de la tapa de la ranura en la parte trasera de la pantalla de plasma hacia la izquierda, y extraiga la tapa tirando del pestillo de la orejeta del hacia abajo.

(Visto de abajo de la pantalla de plasma)



- 3 Coloque la tarjeta CableCARD™ especificada en la ranura Cable CARD hasta donde vaya.



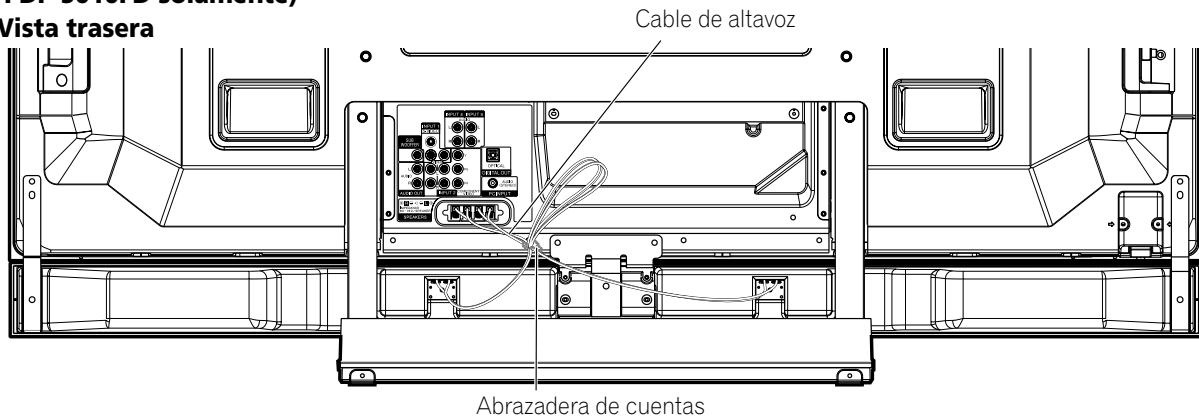
Nota

- Asegúrese de colocar solamente la tarjeta CableCARD™ especificada.
- No coloque una tarjeta de PC.
- Cuando utilice una tarjeta CableCARD™, no necesita ejecutar el preajuste automático de los cables; la tarjeta CableCARD™ genera automáticamente una lista de canales de cable.

Encaminamiento de los cables

Cuando se instala el altavoz por debajo del panel de la pantalla de plasma
(para PDP-5010FD solamente)

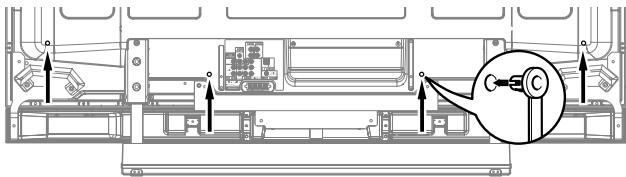
Vista trasera



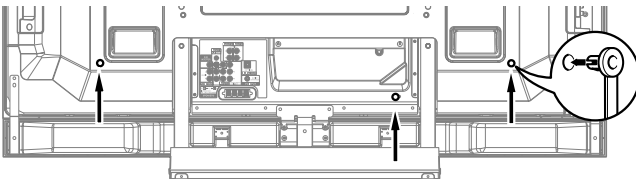
Fijación de las abrazaderas rápidas a la unidad principal

Fije las abrazaderas rápidas utilizando los tres agujeros marcados (60 pulgadas: cuatro agujeros) marcados con **↑** a continuación, dependiendo del encaminamiento de los cables.

para PDP-6010FD



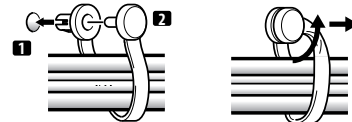
para PDP-5010FD



Fijación y extracción de las abrazaderas rápidas

Inserte **[1]** en el agujero apropiado en la parte trasera de la pantalla de plasma, y meta **[2]** en la parte trasera de **[1]** para fijar la abrazadera. Las abrazaderas rápidas están diseñadas para que no se deshagan fácilmente una vez que estén en posición. Por lo tanto, fíjelas cuidadosamente.

Utilice alicates para girar la abrazadera 90°, tirándola hacia fuera. La abrazadera puede deteriorarse con el paso del tiempo y estropearse si se retira.



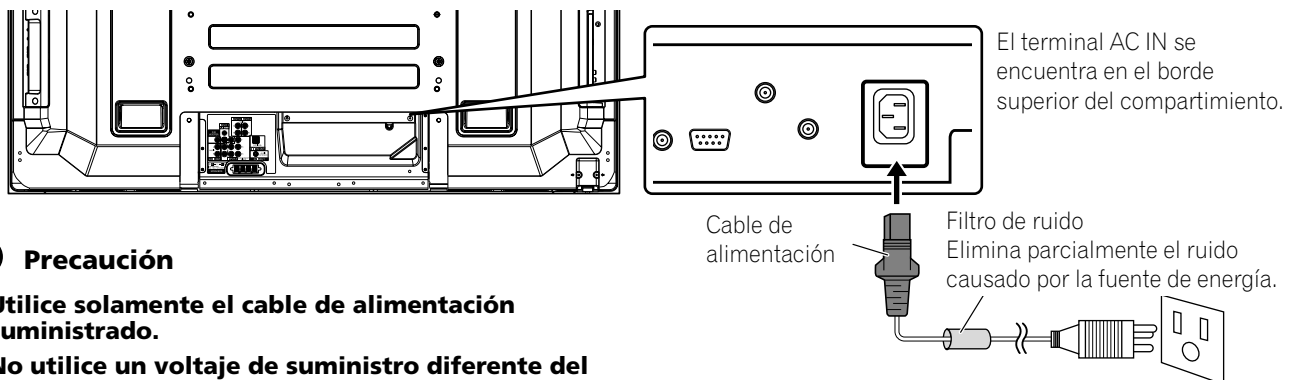
Nota

- Utilice las abrazaderas de cuentas y las abrazaderas rápidas suministradas como sea necesario.
- Cuando ordene los cables de altavoz, asegúrese de atarlos en un fardo de modo que no queden sujetos a ninguna presión.

Conexión de cable de alimentación

Conecte el cable de alimentación después que haya completado las conexiones de todos los componentes.

Pantalla de plasma (vista trasera)



Precaución

- Utilice solamente el cable de alimentación suministrado.
- No utilice un voltaje de suministro diferente del voltaje indicado, ya que esto puede causar un incendio o choque eléctrico.
- Para la pantalla de plasma, se utiliza un cable de alimentación de tres núcleos con un terminal de puesta a tierra para una protección eficaz. Conecte siempre el cable de alimentación a una toma de corriente para tres patillas y asegúrese de que el cable esté puesto a tierra correctamente.

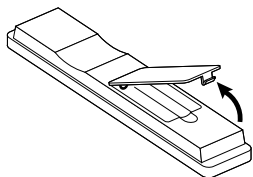
Nota

- Apague siempre la alimentación de la pantalla de plasma antes de enchufar o desenchufar los cables de alimentación.
- Desenchufe el cable de alimentación de la toma de corriente cuando no planea utilizar la pantalla de plasma durante un largo período de tiempo.

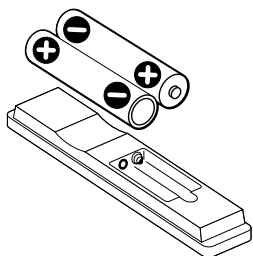
Preparación del mando a distancia

Instalación de las pilas

- 1 Abra la tapa del compartimiento de las pilas.

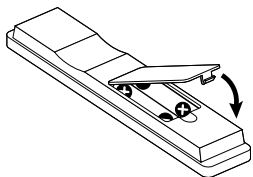


- 2 Instale las dos pilas de tamaño AA mientras inserta sus extremos de polaridad negativa (-) primero.



- Las polaridades de las pilas deben corresponder con los indicadores (+) y (-) en el compartimiento de las pilas.

- 3 Cierre la tapa del compartimiento de las pilas.



Precauciones relacionadas con las pilas

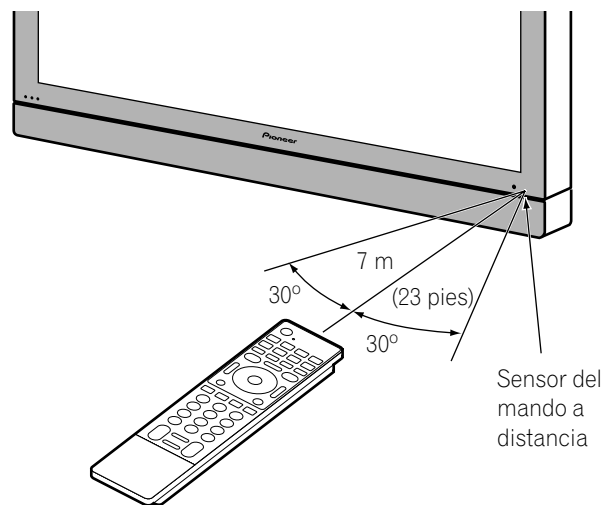
- El mando a distancia no puede operar el sistema si las pilas están agotadas. Si éste es el caso, reemplace las pilas por nuevas.
- Cuando reemplace las pilas, utilice pilas alcalinas para el mando a distancia.
- No mezcle pilas de tipos diferentes. Las pilas de tipos diferentes tienen también características diferentes.
- No mezcle pilas usadas con nuevas. Mezclar pilas usadas con nuevas puede reducir la duración de las pilas nuevas o causar fugas del electrolito en las pilas viejas.
- No deje pilas gastas en el mando a distancia; esto causará la fuga del ácido. Si encuentra cualquier fuga de ácido, limpie completamente con un paño.
- Las pilas suministradas con este producto pueden durar menos de lo esperado debido a las condiciones de almacenamiento.
- Si no va a utilizar el mando a distancia durante un largo período de tiempo, retire las pilas del mando a distancia.

Eliminación de las pilas

Cuando tire las pilas usadas, asegúrese de cumplir con los reglamentos gubernamentales y con las instrucciones de protección del medio ambiente aplicables a su país o área.

Rango de operación permisible del mando a distancia

Opere el mando a distancia apuntándolo al sensor de mando a distancia ubicado en la derecha inferior del panel frontal de la pantalla de plasma. La distancia desde el sensor de mando a distancia debe estar dentro de 7 m (23 pies), y el ángulo relativo al sensor debe estar dentro de 30 grados en la dirección derecha o izquierda.



Nota

- Para las ubicaciones del sensor de mando a distancia, consulte *Nombres de los componentes* en la página 14.



Precauciones relacionadas con el mando a distancia

- No exponga el mando a distancia a impactos, líquidos o alta humedad.
- No ponga el mando a distancia bajo la luz directa del sol; la unidad podría deformarse.
- Puede que el mando a distancia no funcione correctamente si la ventana del sensor del mando a distancia de la pantalla de plasma está bajo la luz directa del sol o bajo una iluminación intensa. En este caso, cambie el ángulo de la iluminación o de la pantalla de plasma, u opere el mando a distancia más cerca de la ventana del sensor de mando a distancia.
- Cuando existe cualquier obstáculo entre el mando a distancia y el sensor de mando a distancia, puede que el mando a distancia no funcione.
- A medida que las pilas se agotan, el mando a distancia puede funcionar dentro de una distancia más corta desde el sensor de mando a distancia. Reemplace las pilas por un juego de pilas nuevas cuando sea necesario.
- La pantalla de plasma emite rayos infrarrojos muy débiles desde su pantalla. Si hay un equipo operado por mando a distancia de rayos infrarrojos, como una videograbadora, en las proximidades, puede que tal equipo no reciba los comandos de su mando a distancia correctamente o mismo no reciba ningún comando. Si esto ocurre, coloque el equipo en un lugar lo más distante posible de la pantalla de plasma.
- Dependiendo del entorno de instalación, los rayos infrarrojos de la pantalla de plasma pueden no permitir que este sistema reciba correctamente los comandos del mando a distancia, o pueden acortar la distancia permisible entre el mando a distancia y el sensor del mando a distancia. La intensidad de los rayos infrarrojos emitidos de la pantalla difiere, dependiendo de las imágenes visualizadas en la pantalla.

Capítulo 6

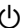
Operaciones básicas

Encendido del sistema

- Active  en la pantalla de plasma cuando los indicadores POWER ON y STANDBY estén apagados (vea *Nombres de los componentes* en las páginas 14 y 15).
 - El sistema se enciende.
 - El indicador POWER ON se enciende en azul.
- Pulse TV  en el mando a distancia o STANDBY/ON en la pantalla de plasma si el indicador STANDBY está encendido en rojo.
 - El indicador POWER ON se enciende en azul.

Apagado del sistema

(al modo de espera)




- 1 Pulse TV  en el mando a distancia o STANDBY/ON en la pantalla de plasma.
 - El sistema entra en el modo de espera y la imagen desaparece de la pantalla.
 - El indicador STANDBY se enciende en rojo.
 - Esto permite que el sistema reciba automáticamente la información de programa de TV digital en el modo de espera.

Nota

- Si no planea utilizar este sistema durante un largo período de tiempo, desenchufe el cable de alimentación de la toma de corriente.

Indicadores de estado de la pantalla de plasma

La tabla a continuación muestra el estado de operación de la pantalla de plasma. Puede verificar el estado actual del sistema con los indicadores en la pantalla de plasma.



Estado de los indicadores		Estado del sistema
POWER ON	STANDBY	
●	●	El cable de alimentación de la pantalla de plasma ha sido desenchufado. O, el cable de alimentación de la pantalla de plasma ha sido conectado, pero el botón  está desactivado o la pantalla de plasma está apagada.
	●	El sistema está encendido.
●		El sistema está en el modo de espera.

Para casos diferentes de los de arriba, consulte *Solución de problemas* en la página 93.

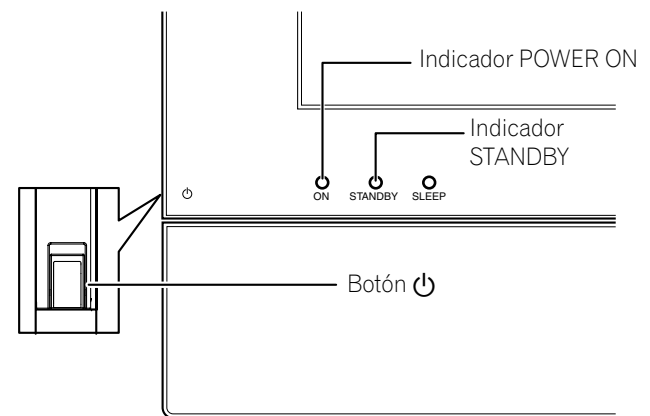
Nota

- Puede seleccionar "Auto", "Alto", "Medio" o "Bajo" para el brillo del indicador POWER ON. Cuando "Auto" está seleccionado, el brillo del indicador cambia a "Alto", "Medio" o "Bajo" de acuerdo con el nivel del brillo del área de visualización. Para los detalles, consulte *Regulación del LED azul* en la página 69.

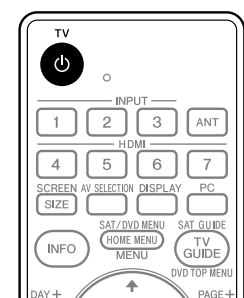
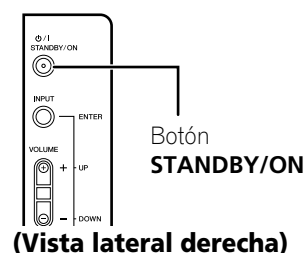
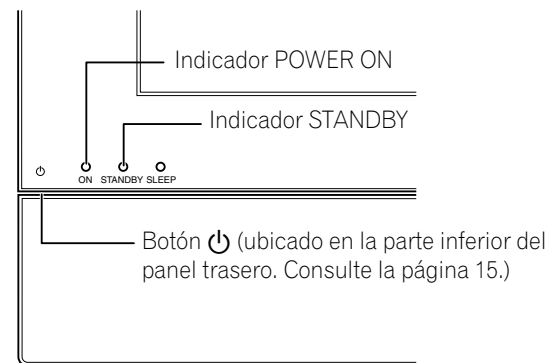
Precaución

- Mientras los indicadores POWER ON y STANDBY están apagados, no se puede colocar el sistema en el modo encendido con la pulsación del botón TV  o STANDBY/ON. Active  en la pantalla de plasma.
- La pantalla de plasma todavía consumirá una pequeña cantidad de energía mientras el cable de alimentación continúe enchufado a la toma de corriente.

Pantalla de plasma (PDP-6010FD)



(PDP-5010FD)



Contemplación de canales de TV

A menos que configure los canales de TV que puede ver bajo las condiciones actuales, no será posible sintonizar esos canales. Para el procedimiento, consulte *Configuración de los canales de TV* en la página 43.

Nota

- Cuando vea un programa de TV digital, puede que aparezcan mensajes de alerta de emergencia que se desplazan en la parte superior de la pantalla. Estos mensajes se transmiten por las emisoras de TV cuando necesario en situaciones de emergencia.

Selección de la antena

Tras comprobar que el interruptor de modo en el mando a distancia está en "TV", pulse **ANT** en el mando a distancia para seleccionar la antena A o B.

- Haga esta selección dependiendo de las conexiones a los terminales de entrada de antena de la pantalla de plasma (página 30).
- Mientras ve un programa, pulse **ANT** para ver la imagen recibida desde la otra antena.
- Pulsar **ANT** mientras ve en el modo de multipantalla (imagen de TV e imagen de vídeo) con TV seleccionado visualizará la imagen de TV de la otra antena.
- Pulsar **ANT** mientras esté viendo en el modo de multipantalla con dos imágenes de TV visualizadas no surtirá ningún efecto.

Cambio de canales

Para aumentar el número de canal, pulse **CH +** en el mando a distancia. Para disminuir el número de canal, pulse **CH -**.

- El botón **CHANNEL +/-** en la pantalla de plasma funciona de la misma forma que **CH +/-** en el mando a distancia.
- Pulse **CH RETURN** para cambiar el canal sintonizado actualmente al canal sintonizado anteriormente. Pulse **CH RETURN** nuevamente para restaurar el canal sintonizado actualmente.

Utilización de 0 a 9 y • (punto) del mando a distancia

Seleccione los canales directamente pulsando los botones **0 a 9**. Para seleccionar canales secundarios, utilice también el botón **• (punto)**.

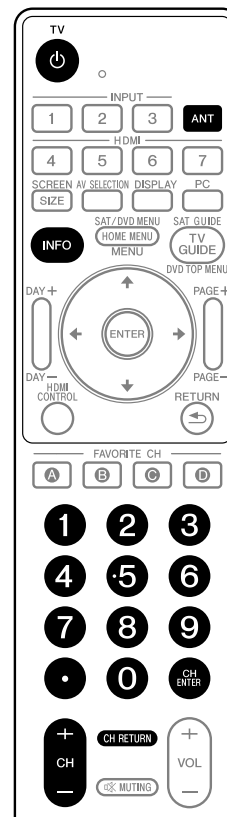
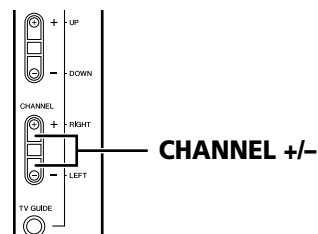
EJEMPLO

- Para seleccionar el canal 5 (canal de un dígito), pulse **5**.
- Para seleccionar el canal 25 (canal de dos dígitos), pulse **2** y, a continuación, **5**.
- Para seleccionar el canal 125 (canal de tres dígitos), pulse **1**, **2** y, a continuación, **5**.
- Para seleccionar el canal secundario 10.01, pulse **1**, **0**, **•** (punto), **0** y, a continuación, **1**.
- Para seleccionar el canal secundario 10.001 (para TV por cable), pulse **1**, **0**, **•** (punto), **0**, **0** y, a continuación, **1**.

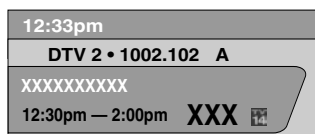
Nota

- Después de introducir un número de canal o de canal secundario, puede pulsar **CH ENTER** para sintonizar el canal más rápidamente.
- Cada vez que cambia un canal, aparece un rótulo de canal con la información acerca del canal seleccionado actualmente. Para eliminar el rótulo de canal, pulse **INFO**.
- Si no configura el sistema TV Guide On Screen™, puede que el rótulo del canal no visualice ciertos tipos de información del programa.

Pantalla de plasma (vista lateral derecha)



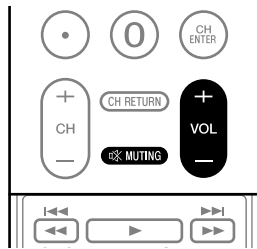
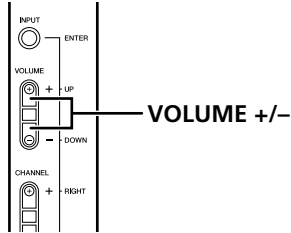
Rótulo de canal



Cambio del volumen y sonido

El botón **VOLUME +/-** en la pantalla de plasma funciona de la misma forma que **VOL +/-** en el mando a distancia.

Pantalla de plasma (vista lateral derecha)



Para aumentar el volumen, pulse **VOL +** en el mando a distancia.
Para disminuir el volumen, pulse **VOL -**.

Visualización del ajuste del volumen



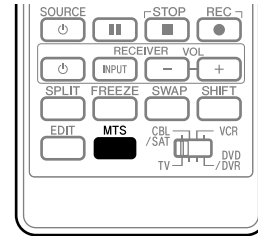
Para silenciar la salida del sonido, pulse **MUTING**. "MUTING" aparece en la pantalla. Para cancelar el silenciamiento, pulse **MUTING** de nuevo. Pulsar **VOL +** también cancela el silenciamiento.

Visualización del silenciamiento



Cambio del idioma

Si ha seleccionado un programa de TV digital que provee servicios multi-idioma, puede cambiar entre los idiomas pulsando **MTS** en el mando a distancia.



Cada vez que se pulsa **MTS**, el idioma cambia.

Nota

- Los idiomas cambiables difieren dependiendo de la emisión actual.
- Si el idioma seleccionado a través de la configuración de idioma está disponible cuando se cambia el canal o programa, se oye tal idioma.
- Si está viendo un programa de TV digital sin sonido o información de idioma, aparece "N/A" en la pantalla. Si se selecciona un idioma diferente de inglés, francés y español, se visualiza "Otros".

Configuración del modo MTS/SAP

Cuando vea programas de TV convencionales, puede disfrutar del sonido estéreo y/o programas con audio secundario (SAP), utilizando la función de sonido de televisión multicanal (MTS).

• Emisiones estéreo

Puede disfrutar, por ejemplo, de deportes, de espectáculos y de conciertos en sonido estéreo dinámico.

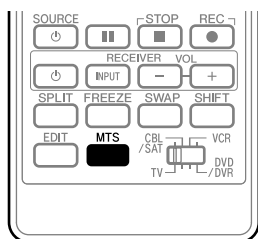
• Emisiones SAP

Sonido PRINCIPAL: La pista sonora normal del programa (mono o estéreo).

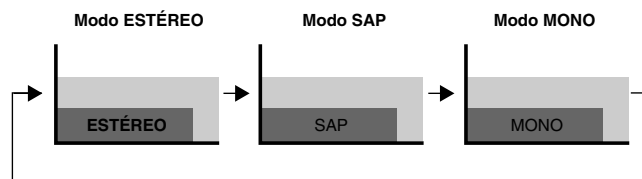
Sonido SAP: Escuche un segundo idioma, un comentario suplementar y otra información. (SAP es sonido monofónico.)

Nota

- Los canales de TV convencionales en este manual asignan los canales de TV que se reciben a través de las frecuencias VHF/UHF convencionales o canales de TV por cable convencionales.
- Cuando un sonido estéreo está difícil de oír, puede cambiar manualmente al modo MONO para obtener un sonido más claro.
- Una vez que el modo MONO esté seleccionado, el sonido de la pantalla de plasma permanece monofónico aun cuando el sistema reciba una emisión en estéreo. Si desea escuchar de nuevo el sonido estéreo, debe seleccionar el modo ESTÉREO.
- Seleccionar MTS mientras la fuente de entrada es ENTRADA 1 a ENTRADA 7 o PC no cambia el tipo de sonido. En este caso, el sonido se determina por la fuente de vídeo.
- Se desactiva el botón **MTS** mientras se visualiza el sistema TV Guide On Screen™.
- En cada uno de los modos MTS/SAP seleccionado, la visualización cambia dependiendo de las señales de emisión que están siendo recibidas.



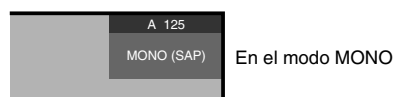
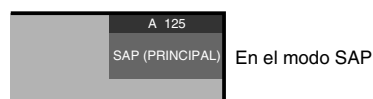
Cada vez que se pulsa **MTS**, MTS cambia como se muestra a continuación.



Cuando se está recibiendo señales de sonido ESTÉREO



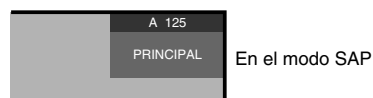
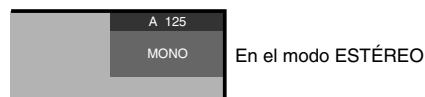
Cuando se está recibiendo señales de sonido MONO + SAP



Cuando se está recibiendo señales de sonido ESTÉREO + SAP

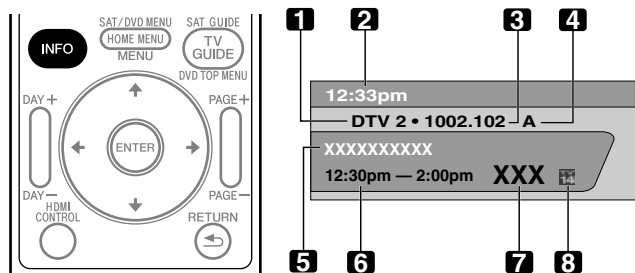


Cuando se está recibiendo señales de sonido MONO



Visualización de un rótulo de canal

Mientras ve un programa de TV, pulsar **INFO** hace que aparezcan los rótulos siguientes. Pulsar **INFO** de nuevo hace que el rótulo desaparezca.



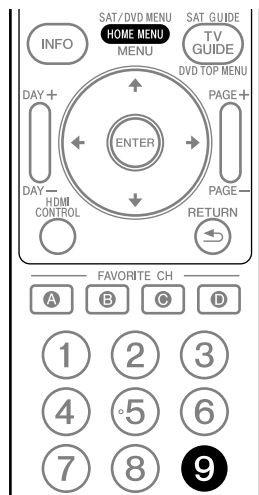
- 1 Nombre de emisora
- 2 Hora actual
- 3 Número de canal
- 4 Entrada (Ant. A o Ant. B)
- 5 Título del programa
- 6 Horario de los programas
- 7 Logotipo del canal
- 8 Nombre o icono de clasificación de TV

Nota

- La información precedente no se visualiza si no está incluida en las señales de emisión.
- Si no configura el sistema TV Guide On Screen™, puede que el rótulo del canal no visualice ciertos tipos de información del programa.

Utilización del servicio POD

Si ve canales de TV digitales y/o de alta definición por cable, puede utilizar el servicio POD provisto por la compañía de TV por cable. Este servicio presenta varios tipos de información útil, usando texto HTML.



Pulse **HOME MENU**, **9**, **9**, y, a continuación, **9** para visualizar la información POD.

Utilización de las funciones de multipantalla

División de la pantalla

Utilice el procedimiento siguiente para seleccionar el modo de 2 pantallas o de imagen-en-imagen.

2 pantallas

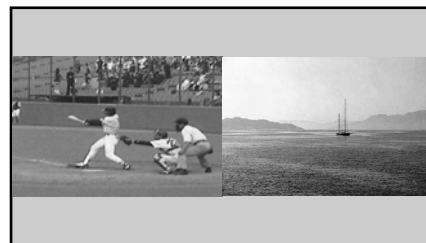
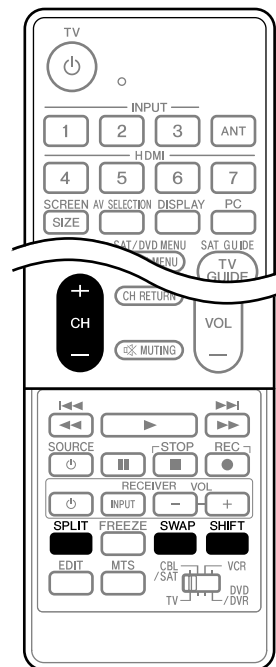
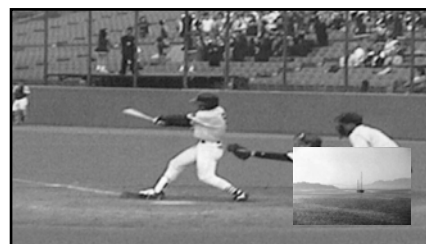


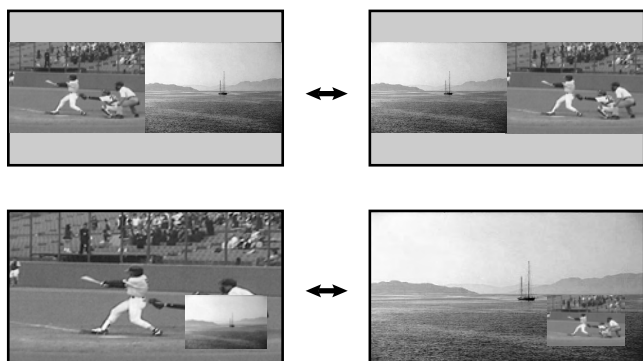
Imagen-en-imagen



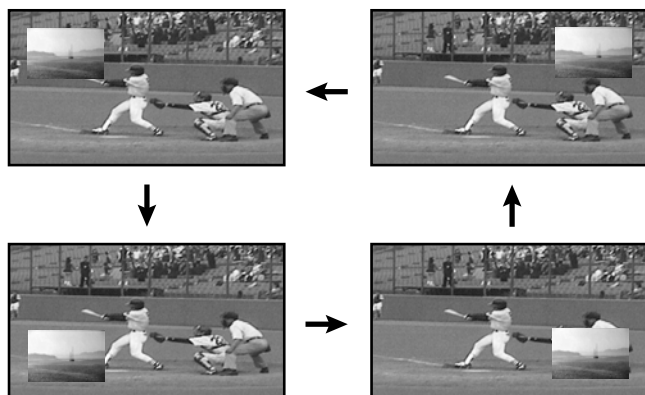
1 Pulse **SPLIT** para seleccionar el modo de visualización.

- Cada vez que se pulsa **SPLIT**, el modo de visualización cambia entre 2 pantallas, imagen-en-imagen y pantalla simple.

- En el modo de 2 pantallas o imagen-en-imagen, pulse **SWAP** para intercambiar la posición de las dos pantallas visualizadas.
La pantalla izquierda es la pantalla activa, que se indica por "▶". El usuario puede operar la imagen y el sonido.



- En el modo de imagen-en-imagen, pulse **SHIFT** para desplazar la posición de la pantalla pequeña en el sentido contrario de las agujas del reloj.



2 Para seleccionar la fuente de entrada deseada, pulse el botón correspondiente a la fuente de entrada.

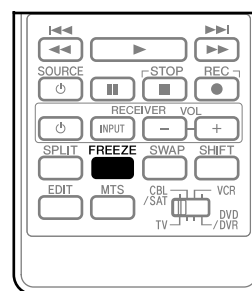
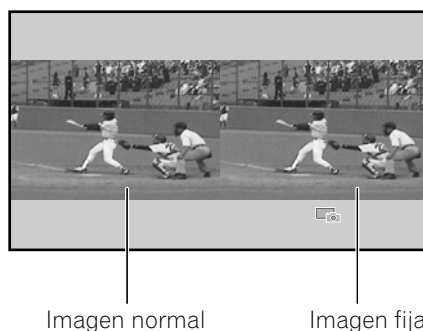
- Cuando esté viendo programas de TV, pulse **CH +/-** para cambiar el canal.

Nota

- Se desactiva el botón **SPLIT** mientras se visualiza el sistema TV Guide On Screen™.
- La función de multipantalla no puede visualizar imágenes desde la misma fuente de entrada o de dos fuentes de entrada exteriores al mismo tiempo. Si intenta hacer eso, aparecerá un mensaje de advertencia.
- Cuando se pulsa **HOME MENU**, el modo de pantalla simple se restaura, y se visualiza el menú correspondiente.
- Cuando las dos pantallas muestran la misma transmisión analógica a través de la antena A y B, puede que la calidad de la imagen difiera entre las dos pantallas.
- Visualización de imágenes en el modo de multipantalla durante un largo período de tiempo puede causar una imagen retenida.

Congelamiento de imágenes

Utilice el procedimiento siguiente para capturar y congelar un fotograma de una imagen en movimiento que esté viendo.



1 Pulse **FREEZE**.

- Una imagen fija aparece en la pantalla derecha mientras se visualiza una imagen en movimiento en la pantalla izquierda.

2 Pulse **FREEZE** de nuevo para cancelar la función.

Nota

- Con la pantalla dividida, no se puede congelar una imagen.
- Cuando intenta utilizar esta función cuando no está disponible, aparece un mensaje de advertencia.
- La función de imagen fija (FREEZE) se cancela automáticamente si no se realiza ninguna operación dentro de cinco minutos.
- Visualización de imágenes en el modo de congelamiento durante un largo período de tiempo puede causar una imagen retenida.

Capítulo 7

Configuración del sistema TV Guide On Screen™

Sobre el sistema TV Guide On Screen™

El sistema TV Guide On Screen™ es una guía de programas de televisión libre e interactiva en la pantalla. El sistema ofrece listas de programas, búsqueda por palabra clave, avisos y mucho más. El sistema TV Guide On Screen™ es un medio conveniente para encontrar lo que está pasando en el momento o durante la semana siguiente, por canal o por género. También le permite configurar automáticamente sus selecciones de visualización y grabación rápida y fácilmente.

Antes que pueda utilizar el sistema TV Guide On Screen™, debe configurarlo.

Avisos Legales

En los Estados Unidos, TV Guide y otras marcas relacionadas son marcas registradas de Gemstar-TV Guide International, Inc. y/o una de sus compañías afiliadas. En Canadá, TV Guide es una marca registrada de Transcontinental, Inc. y se utiliza bajo licencia por Gemstar-TV Guide International, Inc.



Nota

- La guía de programas interactiva TV Guide On Screen™ provee listas para servicios de cable digital y cable-ready, así como para transmisiones sobre el aire. Ello no provee listas para servicios por satélite.
- Dependiendo de las configuraciones actuales e ítems seleccionados, el orden de las pantallas de configuración puede diferir del orden indicado en este manual. Siga las instrucciones que se muestran en las pantallas.
- Puede que la guía de TV no esté disponible en todas las áreas. Además, con el traslado de muchos proveedores de contenidos a la programación y emisión digital, puede que los datos de la guía de TV no estén disponibles o queden indisponibles.

Configuración del sistema TV Guide On Screen™

Cuando se enciende la pantalla de plasma por la primera vez, se procede automáticamente al proceso de configuración. Inmediatamente después que comienza el proceso de configuración de TV Guide On Screen™, se visualiza la pantalla de bienvenido. Se puede acceder a la configuración desde las pantallas de aviso de configuración inicial, o pulsando TV GUIDE para un dispositivo en el cual el sistema TV Guide On Screen™ no ha sido configurado todavía.



Nota

- Después de configurar el sistema TV Guide On Screen™, puede que lleve hasta 24 horas para que comience a recibir las listas de programas de TV. La recepción de todos los ocho días de listas puede llevar hasta una semana (vea la Pantalla 6).

Pantalla de bienvenido

La configuración de TV inicial le conduce a la pantalla de bienvenido.

O pulse **TV GUIDE** para iniciar la configuración.

- La pantalla de bienvenido enumera las funciones en la guía.
- Pulse **ENTER** para visualizar la Pantalla 1 (que se muestra en la columna izquierda de la página siguiente).



Pantalla de aviso

Si ha saltado la configuración de la guía anteriormente, verá la pantalla de aviso al encender el televisor.

Para hacer una selección, pulse **↑/↓** para realzar una opción, y pulse **ENTER**.

- "Start setup" visualiza la Pantalla 1.
- "Remind me to set it up later" le regresa a la visualización de TV.
- "Don't remind me again" le regresa a la visualización de TV y cancela la visualización de la pantalla de aviso al encender la pantalla.



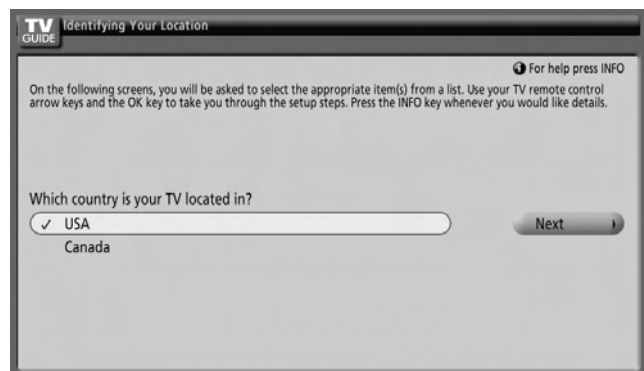
Nota

- Si decide no configurar la guía ahora, esta pantalla de aviso aparecerá cada vez que enciende el televisor (excepto si ha seleccionado "Don't remind me again").

Pantallas de configuración del sistema

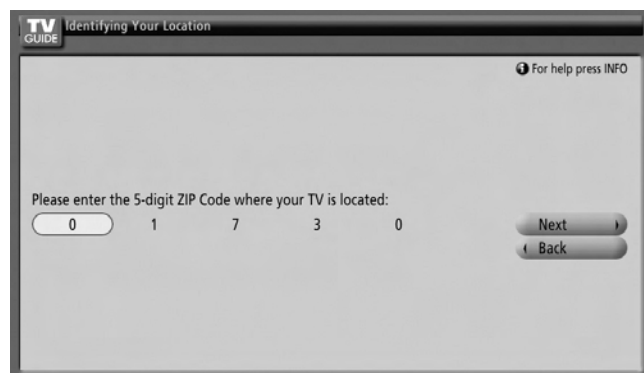
Pantalla 1: Seleccione País

- Esta pantalla le pregunta la localización de su televisor.
- Pulse **↑/↓** para realzar un país.
- Pulse **ENTER** para aplicar la selección.
- Pulse **→** para realzar **Next**.
- Pulse **ENTER** para visualizar la Pantalla 2.



Pantalla 2: Introduzca el código ZIP o postal

- Si ha seleccionado USA en la Pantalla 1, verá la pantalla de código ZIP.
- Introduzca el código ZIP
 - pulsando las teclas numéricas o
 - pulsando **↑/↓** para desplazar a través de los números y, a continuación, **→** para mover al siguiente campo de caracteres y **Next**.
- Puede seleccionar el botón Atrás desde cualquier pantalla para volver a las pantallas de configuración anteriores para corregir o revisar la información que ha introducido.
- Pulse **ENTER** para visualizar la Pantalla 3.



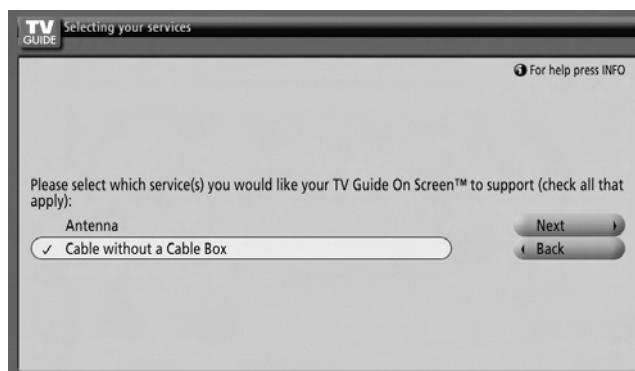
- Si ha seleccionado Canada en la Pantalla 1, verá la pantalla de código postal.
- Introduzca el código postal pulsando **↑/↓** para desplazar a través de las letras (o números) y, a continuación, **→** para mover al siguiente campo de caracteres.
- Pulse **→** para realzar **Next**.
- Pulse **ENTER** para visualizar la Pantalla 3.

Pantalla 3: Seleccione servicio(s)

- Pulse **↑/↓** para realzar la(s) fuente(s) de vídeo conectada(s) a la(s) cual(es) desea recibir las listas de programas.
- Pulse **ENTER** para aplicar su selección(es).
- Pulse **→** para realzar **Next**.
- Pulse **ENTER** para ir a la Pantalla 4.

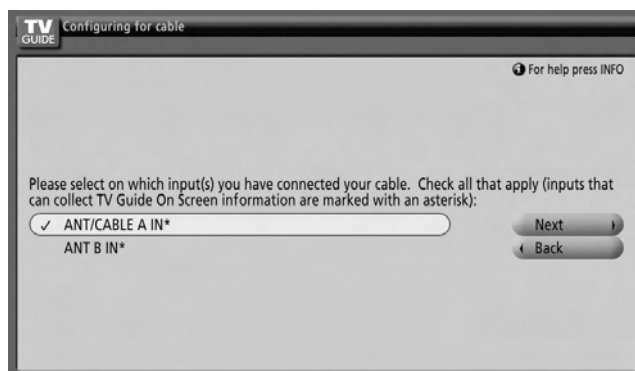
Nota

- Si no tiene un servicio de cable, debe seleccionar Antena para recibir un grupo de canales y listas de programas.



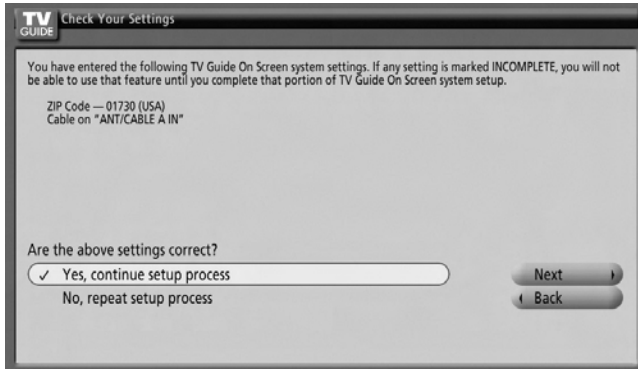
Pantalla 4: ¿A cuál terminal de entrada está el sistema enchufado?

- Seleccione "ANT/CABLE A IN" o "ANT B IN" y aparecerá la Pantalla 5.

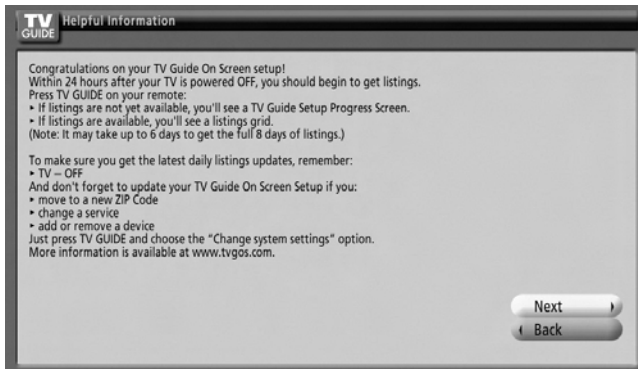


Pantalla 5: ¿Están las configuraciones correctas?

- Si selecciona "Yes", aparecerá la Pantalla 6.
- Si selecciona "No", aparecerá la Pantalla 1.



Pantalla 6: Congratulaciones



Capítulo 8

EI MENÚ PRINCIPAL (HOME MENU)

Resumen del MENÚ PRINCIPAL (HOME MENU)

Para la fuente de AV

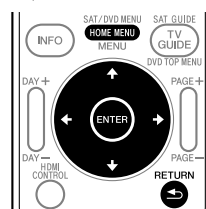
HOME MENU	Ítem	Página	
Imagen	Selección AV	60	
	Contraste	61	
	Brillo	61	
	Color	61	
	Matiz	61	
	Nitidez	61	
	Ajuste profesional	61	
	Reponer	61	
	Sonido	Agudos	63
Graves		63	
Balance		63	
Reponer		63	
Efecto sonido		64	
Control de la alimentación	Ahorro de energía	64	
	Apagado: sin señal	64	
	Apagado: sin operación	65	
Temporizador de apagado	—	65	
Opción	Posición	66	
	Tmño. Auto.	68	
	Máscara lateral	68	
	Entrada HDMI	71	
	Conf.Control HDMI	81	
	Regul. LED azul	69	
	Orbiter	69	
	Patrón de vídeo	69	
	Salida audio digital	74	
	Idioma	69	
	Conf. NR sint.	67	
	Pref. cont. juego	67	
	Sensor luz amb.	69	
	Config. sintonizador	Ajustes de Canal	43
		Control Familiar	44 – 48
Favoritos		49	
Sub-Títulos		49 – 50	
Reloj	50		
Home Gallery	—	76 – 78	
Control HDMI	—	79	

Para la fuente de PC

HOME MENU	Ítem	Página
Imagen	Selección AV	60
	Contraste	61
	Brillo	61
	Rojo	61
	Verde	61
	Azul	61
	Reponer	61
Sonido	Igual que la fuente de AV	63
Control de la alimentación	Ahorro de energía	64
	Gestión de energía	65
Temporizador de apagado	—	65
Opción	Autoconfiguración	66
	Configuración manual	66
	Entrada HDMI	71
	Conf.Control HDMI	81
Home Gallery	—	76 – 78
Control HDMI	—	79

Utilización del MENÚ PRINCIPAL (HOME MENU)

A continuación se describe el procedimiento típico para configurar los menús. Para los procedimientos reales, consulte las páginas apropiadas que describen las funciones individuales.



- 1 Pulse **HOME MENU**.
- 2 Pulse **↑/↓** para seleccionar un ítem del menú y, a continuación, pulse **ENTER**.
- 3 Repita el paso 2 hasta que acceda al ítem de submenú deseado.
 - El número de capas del menú diferirá dependiendo de los ítems del menú.
 - Si selecciona "Config. sintonizador", aparece una barra de menús en la parte inferior de la pantalla. Para seleccionar el ítem de un submenú en la barra, pulse **←/→** en lugar de **↑/↓**.
- 4 Pulse **←/→** para seleccionar una opción (o parámetro) y, a continuación, pulse **ENTER**.
 - Para algunos ítems del menú, pulse **↑/↓** en vez de **←/→**.
- 5 Pulse **HOME MENU** para salir del menú.

Nota

- Puede volver a los niveles de menú superiores pulsando **RETURN**.

Capítulo 9

Configuración del sintonizador

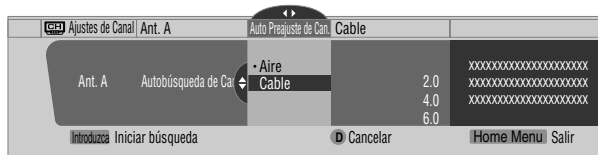
Configuración de los canales de TV

En esta sección se describe cómo buscar y configurar los canales de TV que pueden verse bajo las condiciones actuales. A menos que configure los canales de TV utilizando autobúsqueda de canales, puede que no sea posible sintonizar esos canales.

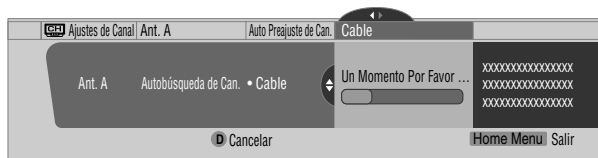
Utilización del preajuste automático de los canales

La función autobúsqueda de canales busca y configura los canales de TV.

- 1 Pulse HOME MENU.
- 2 Seleccione "Config. sintonizador" (↑/↓ y, a continuación, ENTER).
- 3 Seleccione "Ajustes de Canal" (←/→ y, a continuación, ENTER).
- 4 Seleccione "Ant. A" o "Ant. B" (↑/↓ y, a continuación, ENTER).
- 5 Seleccione "Autobúsqueda de Can." (↑/↓ y, a continuación, ENTER).
- 6 Seleccione "Aire" o "Cable" (↑/↓ y, a continuación, ENTER).



- La búsqueda de canales comienza automáticamente.



- Para salir del autobúsqueda de canales en el medio, pulse D.

- 7 Cuando se finalice autobúsqueda de canales, pulse HOME MENU para salir del menú.

Nota

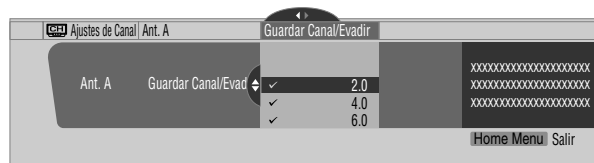
- Cuando utilice el convertidor de TV por cable, puede que se requiera añadir los canales de salida del convertidor de TV por cable manualmente.
- Cuando una tarjeta CableCARD™ insertada está funcionando, puede ejecutar la autobúsqueda de canales seleccionando "Ant. B" en el paso 4.

Configuración para saltar canales indeseables

De entre los canales de TV buscados y configurados con la autobúsqueda de canales, puede seleccionar los canales que desee saltar cuando se opere CH+/-.

- 1 Pulse HOME MENU.
- 2 Seleccione "Config. sintonizador" (↑/↓ y, a continuación, ENTER).
- 3 Seleccione "Ajustes de Canal" (←/→ y, a continuación, ENTER).
- 4 Seleccione "Ant. A" o "Ant. B" (↑/↓ y, a continuación, ENTER).
- 5 Seleccione "Guardar Canal/Evadir" (↑/↓ y, a continuación, ENTER).

- 6 Seleccione el canal que desee desplazar (↑/↓ y, a continuación, ENTER).



- Para un canal omitido, la marca de verificación desaparecerá.

- 7 Pulse HOME MENU para salir del menú.

Nota

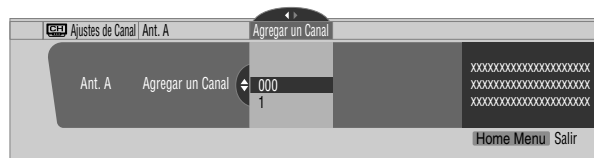
- Para restaurar los canales omitidos, utilice el procedimiento precedente, excepto que debe seleccionar un canal omitido en el paso 6.
- Cuando utilice el convertidor de TV por cable, puede que se requiera añadir los canales de salida del convertidor de TV por cable manualmente.

Configuración de los canales de TV

En esta sección se describe cómo configurar manualmente los canales de TV que no han sido configurados por autobúsqueda de canales.

- 1 Pulse HOME MENU.
- 2 Seleccione "Config. sintonizador" (↑/↓ y, a continuación, ENTER).
- 3 Seleccione "Ajustes de Canal" (←/→ y, a continuación, ENTER).
- 4 Seleccione "Ant. A" o "Ant. B" (↑/↓ y, a continuación, ENTER).
- 5 Seleccione "Agregar un Canal" (↑/↓ y, a continuación, ENTER).
- 6 Seleccione un número de canal que desee añadir (↑/↓ y, a continuación, ENTER).

- También puede utilizar los botones 0 a 9 para introducir un número de canal.



- Después que pulse ENTER, aparece una pantalla de confirmación.

- 7 Pulse A para finalizar el proceso de configuración.
- 8 Pulse HOME MENU para salir del menú.

Nota

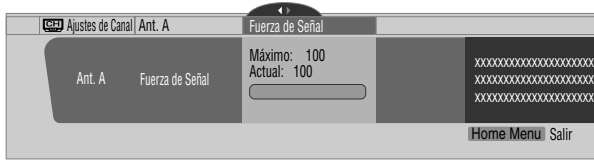
- La adición manual de canales sólo funciona para canales analógicos. No se puede añadir canales digitales.

Comprobación de la intensidad de la señal

Cuando ha seleccionado la antena A, puede comprobar la intensidad de la señal del canal actual. Puede utilizar esta función cuando esté recibiendo un canal a través de una antena VHF/UHF.

- 1 Pulse HOME MENU.
- 2 Seleccione "Config. sintonizador" (↑/↓ y, a continuación, ENTER).
- 3 Seleccione "Ajustes de Canal" (←/→ y, a continuación, ENTER).
- 4 Seleccione "Ant. A" (↑/↓ y, a continuación, ENTER).

- 5 Seleccione "Fuerza de Señal" (↑/↓ y, a continuación, ENTER).



- Ajuste la dirección de la antena de modo que la intensidad actual de la señal alcance la intensidad máxima de la señal tan cerca como sea posible.

- 6 Pulse HOME MENU para salir del menú.

Nota

- Esta función sólo está disponible cuando se reciben señales de transmisión digital sobre el aire.
- Cuando utilice el sistema TV Guide On Screen™ con un servicio de cable, seleccione "Cable" para "Autobúsqueda de Can.". Ejecutar más de una exploración para cables resultará en fallas de recepción de las transmisiones.

Comprobación de la identificación de la tarjeta CableCARD™

La pantalla de plasma tiene una ranura para una tarjeta CableCARD™ que se utiliza para administrar su información por la compañía de TV por cable. La ranura para tarjeta CableCARD™ se encuentra en la parte trasera de la pantalla de plasma. El siguiente procedimiento le permite comprobar la identificación de su tarjeta CableCARD™ y la identificación del Host.

- 1 Pulse HOME MENU.
- 2 Seleccione "Config. sintonizador" (↑/↓ y, a continuación, ENTER).
- 3 Seleccione "Ajustes de Canal" (←/→ y, a continuación, ENTER).
- 4 Seleccione "ID POD" (↑/↓).
 - La identificación del Host y la identificación de la tarjeta CableCARD™ aparecen.
- 5 Pulse HOME MENU para salir del menú.

Control familiar

Con el control familiar, los padres pueden prevenir que los niños vean programas de TV o contenidos de vídeo y DVD inapropiados. Cuando se intenta ver un programa (o contenido) bloqueado por los padres, la pantalla de plasma visualiza un mensaje sin ninguna imagen. El control familiar funciona tanto para los canales de TV convencionales como digitales. En los Estados Unidos, hay tres sistemas de clasificación: clasificaciones de TV, guías familiares de TV y clasificaciones de película. La clasificación de película se provee por la Asociación de la Industria Cinematográfica de Estados Unidos (MPAA) y se utiliza para las películas originales que no han sido editadas para televisión. Para el sistema de clasificación en Canadá, consulte la página 46.

Nota

- En el sistema de clasificación de control familiar de TV de EE.UU., puede que los programas con una clasificación "No" sean bloqueados en este producto. Ejemplos de programas que incluyen una clasificación "No":
 - Comunicados de emergencia (como mensajes EAS, advertencia de tiempo y otros)
 - Programas originados localmente
 - Noticias
 - Política
 - Anuncios de servicios públicos
 - Religión
 - Deportes
 - Tiempo

Sistema de clasificación de cine voluntario (MPAA)

Clasificación	Descripción
N/A	No aplicable a las clasificaciones MPAA
G	Audiencias generales. Todas las edades admitidas.
PG	Orientación familiar sugerida. Puede que algún material no sea adecuado para los niños.
PG-13	Fuerte atención a los padres. Puede que algún material sea inadecuado a niños menores de 13 años de edad.
R	Restringido. Bajo 17 se requiere compañía de uno de los padres o tutor adulto (la edad varía en algunas jurisdicciones).
NC-17	Nadie de 17 y menor admitido.
NR	No clasificado.

Nota

- El sistema de clasificación de cine voluntario sólo utiliza un nivel basado en la edad.

Clasificación de TV

Clasificación	Descripción
TV-Y	Todos los niños
TV-Y7	Niños de siete y mayores
TV-G	Audiencias generales
TV-PG	Orientación familiar sugerida
TV-14	Fuerte atención a los padres
TV-MA	Audiencias maduras solamente

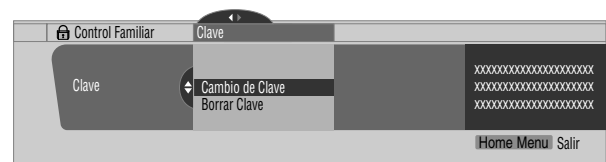
Nota

- El sistema también le permite seleccionar "None", que bloquea los programas con una clasificación "None". Para los ejemplos de tales programas, consulte la "Nota" en la columna izquierda en esta página.

Cambio de la contraseña

Utilizar una contraseña impide que otras personas cambien las configuraciones del control familiar. Ha sido configurada una contraseña (1234) antes del embarque. Utilice el procedimiento siguiente para cambiar la contraseña.

- 1 Pulse HOME MENU.
- 2 Seleccione "Config. sintonizador" (↑/↓ y, a continuación, ENTER).
- 3 Seleccione "Control Familiar" (←/→ y, a continuación, ENTER).
- 4 Seleccione "Clave" (↑/↓ y, a continuación, ENTER).
- 5 Seleccione "Cambio de Clave" (↑/↓ y, a continuación, ENTER).



- 6 Introduzca la contraseña actual de cuatro dígitos utilizando los botones 0 a 9.
- 7 Introduzca una nueva contraseña de cuatro dígitos utilizando los botones 0 a 9.

- 8 Introduzca la misma contraseña que ha introducido en el paso 7.
 - Aparecerá una pantalla de confirmación.
- 9 Pulse A.
- 10 Pulse HOME MENU para salir del menú.

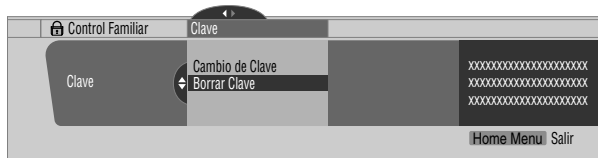
Nota

- Apunte la nueva contraseña y guárdela a mano.

Borrado de la contraseña

Utilice el procedimiento siguiente para borrar la contraseña.

- 1 Pulse HOME MENU.
- 2 Seleccione "Config. sintonizador" (↑/↓ y, a continuación, ENTER).
- 3 Seleccione "Control Familiar" (←/→ y, a continuación, ENTER).
- 4 Seleccione "Clave" (↑/↓ y, a continuación, ENTER).
- 5 Seleccione "Borrar clave" (↑/↓ y, a continuación, ENTER).



- 6 Introduzca la contraseña actual de cuatro dígitos utilizando los botones 0 a 9.
 - Aparecerá una pantalla de confirmación.
- 7 Pulse A.
- 8 Pulse HOME MENU para salir del menú.

Nota

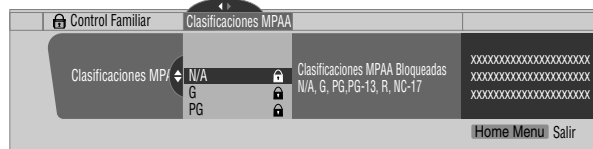
- El procedimiento precedente reajustará la contraseña al valor predeterminado de fábrica (1234).

Activación del control familiar

- 1 Pulse HOME MENU.
- 2 Seleccione "Config. sintonizador" (↑/↓ y, a continuación, ENTER).
- 3 Seleccione "Control Familiar" (←/→ y, a continuación, ENTER).
- 4 Seleccione "Status" (↑/↓ y, a continuación, ENTER).
- 5 Seleccione "Encendido" (↑/↓ y, a continuación, ENTER).
 - La pantalla de introducción de contraseña aparece. Introduzca la contraseña de cuatro dígitos utilizando los botones 0 a 9.
- 6 Pulse HOME MENU para salir del menú.

Configuración del sistema de clasificación de cine voluntario (MPAA)

- 1 Pulse HOME MENU.
- 2 Seleccione "Config. sintonizador" (↑/↓ y, a continuación, ENTER).
- 3 Seleccione "Control Familiar" (←/→ y, a continuación, ENTER).
- 4 Seleccione "Clasificaciones MPAA" (↑/↓ y, a continuación, ENTER).
- 5 Seleccione la clasificación deseada y cambie la configuración (↑/↓ y, a continuación, ENTER).



- La pantalla de introducción de contraseña aparece. Introduzca la contraseña de cuatro dígitos utilizando los botones 0 a 9.
- Cada vez que se pulsa **ENTER**, la configuración cambia.
- Se visualiza un icono de bloqueo junto a la clasificación bloqueada.
- Todas las clasificaciones han sido desbloqueadas antes del embarque.

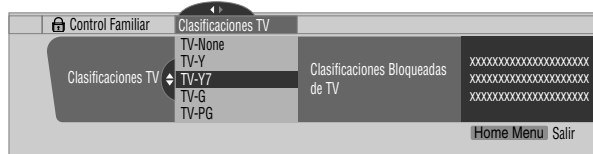
- 6 Pulse HOME MENU para salir del menú.

Nota

- Bloquear una clasificación hace que clasificaciones más rigurosas se bloqueen automáticamente. Del mismo modo, desbloquear una clasificación hace que clasificaciones menos rigurosas se desbloqueen automáticamente.

Configuración de las clasificaciones de TV

- 1 Pulse HOME MENU.
- 2 Seleccione "Config. sintonizador" (↑/↓ y, a continuación, ENTER).
- 3 Seleccione "Control Familiar" (←/→ y, a continuación, ENTER).
- 4 Seleccione "Clasificaciones TV" (↑/↓ y, a continuación, ENTER).
- 5 Seleccione la clasificación deseada y cambie la configuración (↑/↓ y, a continuación, ENTER).



- La pantalla de introducción de contraseña aparece. Introduzca la contraseña de cuatro dígitos utilizando los botones 0 a 9.
- Cada vez que se pulsa **ENTER**, la configuración cambia.
- Se visualiza un icono de bloqueo junto a la clasificación bloqueada.
- Todas las clasificaciones han sido desbloqueadas antes del embarque.

Le recomendamos que escriba su contraseña de modo que no se olvide de la misma.

PDP-6010FD/PDP-5010FD
Nº de su contraseña:

Si se olvida de la contraseña

Cuando se visualice el mensaje "Introduzca su contraseña" en el paso 6 en "Borrado de contraseña", pulse el botón **ENTER** del mando a distancia durante tres segundos o más. La contraseña reierte a "1234".

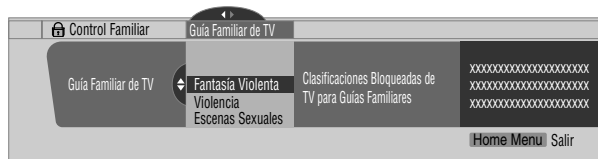
6 Pulse HOME MENU para salir del menú.

Nota

- Bloquear una clasificación hace que clasificaciones más rigurosas se bloqueen automáticamente. Del mismo modo, desbloquear una clasificación hace que clasificaciones menos rigurosas se desbloqueen automáticamente.

Configuración de las guías familiares de TV (Guías de TV)

- 1 Pulse HOME MENU.
- 2 Seleccione "Config. sintonizador" (↑/↓ y, a continuación, ENTER).
- 3 Seleccione "Control Familiar" (←/→ y, a continuación, ENTER).
- 4 Seleccione "Guía Familiar de TV" (↑/↓ y, a continuación, ENTER).
- 5 Seleccione la clasificación deseada y cambie la configuración (↑/↓ y, a continuación, ENTER).



- La pantalla de introducción de contraseña aparece. Introduzca la contraseña de cuatro dígitos utilizando los botones **0** a **9**.
- Cada vez que se pulsa **ENTER**, la configuración cambia.
- Se visualiza un icono de bloqueo junto a la clasificación bloqueada.
- Todas las clasificaciones han sido desbloqueadas antes del embarque.

6 Pulse HOME MENU para salir del menú.

Bloqueo de programas de TV no clasificados (NR)

Utilice el siguiente procedimiento para bloquear programas de TV cuya información de clasificación no se encuentra disponible.

- 1 Pulse HOME MENU.
- 2 Seleccione "Config. sintonizador" (↑/↓ y, a continuación, ENTER).
- 3 Seleccione "Control Familiar" (←/→ y, a continuación, ENTER).
- 4 Seleccione "Sin Clasificaciones" (↑/↓ y, a continuación, ENTER).
- 5 Seleccione "Bloquear" o "No Bloquear" (↑/↓ y, a continuación, ENTER).



- La pantalla de introducción de contraseña aparece. Introduzca la contraseña de cuatro dígitos utilizando los botones **0** a **9**.
- La selección de fábrica es "No Bloquear".

6 Pulse HOME MENU para salir del menú.

Sistemas de clasificaciones canadienses

En Canadá, puede elegir las clasificaciones canadienses en inglés o las clasificaciones canadienses en francés. Estas clasificaciones se basan en la política de la Comisión Canadiense de Radio y Televisión (CRTC).

Clasificaciones canadienses en inglés

Clasificación	Descripción
E	Exento: Incluye noticias, deportes, documentarios y otros programas de información; espectáculos de conversación, vídeos de música, y programas de variedad.
C	Niños: Destinado a niños menores de ocho años de edad. Tiene especial atención a temas que podrían amenazar el sentido de seguridad y bien-estar.
C8+	Niños mayores de ocho años de edad: No contiene violencia como la única manera o preferida, aceptable de resolver un conflicto; ni encoraja los niños a imitar acciones peligrosas que pueden ver en la pantalla.
G	General: Considerado aceptable para todas edades. Visualización apropiada para toda la familia, contiene muy poca violencia, física, verbal o emocional.
PG	Guía familiar: Destinado a la audiencia general, pero puede que no sea adecuado para niños muy pequeños (menores de ocho años de edad), ya que podría contener temas o cuestiones controverbiales.
14+	Arriba de 14 años de edad: Podría contener temas donde la violencia es uno de los elementos dominantes de la historia, pero debe ser integral al desarrollo de la trama o carácter. Lenguaje usado podría ser profano y presencia de desnudez dentro del contexto del tema.
18+	Adultos: Destinados a telespectadores mayores de 18 años de edad y podría contener violencia, que mientras estuviera relacionada con el desarrollo de la trama, carácter o tema, se destinan a la visualización de adultos. Podría contener lenguaje gráfico y representaciones de sexo y desnudez.

Basado en la edad

Clasificaciones canadienses en francés

Clasificación	Descripción
E	Programación exenta.
G	General: Todas las edades y niños, contiene violencia directa mínima, pero puede integrarse a la trama de una manera humorosa y no realista.
8ans+	General pero no aconsejable para niños pequeños: Puede visualizarse por una amplia audiencia pública, pero podría contener escenas que molestan los niños menores de ocho años de edad que no pueden distinguir entre situaciones imaginarias y reales. Recomendado para visualización con padres.
13ans+	Arriba de 13 años de edad: Podría contener escenas frecuentes de violencia y, por lo tanto, se recomienda su visualización con los padres.
16ans+	Arriba de 16 años de edad: Podría contener escenas frecuentes de violencia y violencia intensa.
18ans+	Arriba de 18 años de edad: Solamente para visualización de adultos. Podría contener escenas frecuentes de violencia y violencia extrema.

Basado en la edad

Configuración de las clasificaciones canadienses en inglés

- 1 Pulse HOME MENU.
- 2 Seleccione "Config. sintonizador" (↑/↓ y, a continuación, ENTER).
- 3 Seleccione "Control Familiar" (←/→ y, a continuación, ENTER).
- 4 Seleccione "Clasif. Inglés Canadiense" (↑/↓ y, a continuación, ENTER).
- 5 Seleccione la clasificación deseada y cambie la configuración (↑/↓ y, a continuación, ENTER).



- La pantalla de introducción de contraseña aparece. Introduzca la contraseña de cuatro dígitos utilizando los botones **0** a **9**.
- Cada vez que se pulsa **ENTER**, la configuración cambia.
- Se visualiza un icono de bloqueo junto a la clasificación bloqueada.
- Todas las clasificaciones han sido desbloqueadas antes del embarque.

- 6 Pulse HOME MENU para salir del menú.

Nota

- Bloquear una clasificación hace que clasificaciones más rigurosas se bloqueen automáticamente. Del mismo modo, desbloquear una clasificación hace que clasificaciones menos rigurosas se desbloqueen automáticamente.

Configuración de las clasificaciones canadienses en francés

- 1 Pulse HOME MENU.
- 2 Seleccione "Config. sintonizador" (↑/↓ y, a continuación, ENTER).
- 3 Seleccione "Control Familiar" (←/→ y, a continuación, ENTER).
- 4 Seleccione "Clasif. Francés Canadiense" (↑/↓ y, a continuación, ENTER).
- 5 Seleccione la clasificación deseada y cambie la configuración (↑/↓ y, a continuación, ENTER).



- La pantalla de introducción de contraseña aparece. Introduzca la contraseña de cuatro dígitos utilizando los botones **0** a **9**.
- Cada vez que se pulsa **ENTER**, la configuración cambia.
- Se visualiza un icono de bloqueo junto a la clasificación bloqueada.
- Todas las clasificaciones han sido desbloqueadas antes del embarque.

- 6 Pulse HOME MENU para salir del menú.

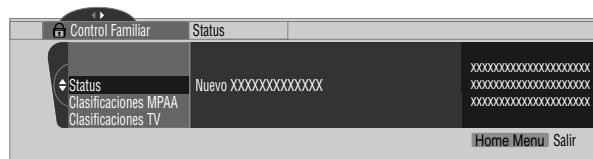
Nota

- Bloquear una clasificación hace que clasificaciones más rigurosas se bloqueen automáticamente. Del mismo modo, desbloquear una clasificación hace que clasificaciones menos rigurosas se desbloqueen automáticamente.

Configuración de nuevas clasificaciones

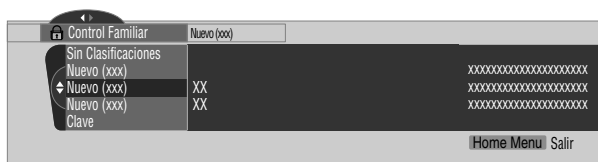
Ahora las emisiones digitales contienen nuevas clasificaciones que no son compatibles con las clasificaciones de control familiar originales de la pantalla de plasma. Cuando sintonice una de esas emisiones por primera vez, aparece un menú de control familiar en la pantalla. Este menú le informa que debe cambiar sus configuraciones de control familiar para manipular las nuevas clasificaciones. De lo contrario, puede que se desbloqueen las clasificaciones que tuviese bloqueado anteriormente.

- 1 Pulse HOME MENU.
- 2 Seleccione "Config. sintonizador" (↑/↓ y, a continuación, ENTER).
- 3 Seleccione "Control Familiar" (←/→ y, a continuación, ENTER).



- Se visualiza el nuevo menú cuando se selecciona Status y se visualiza el mensaje "Las clasificaciones regionales han sido cambiados." en la derecha de la pantalla.

- 4 Seleccione la clasificación deseada y cambie la configuración (↑/↓ y, a continuación, ENTER).



- El menú se agrega entre "Sin Clasificaciones" y "Clave".
- La pantalla de introducción de contraseña aparece. Introduzca la contraseña de cuatro dígitos utilizando los botones 0 a 9.
- Cada vez que se pulsa **ENTER**, la configuración cambia.
- Se visualiza un icono de bloqueo junto a la clasificación bloqueada.
- Cuando finalice, la palabra "Nuevo" desaparecerá del menú Control Familiar.

- 5 Pulse **HOME MENU** para salir del menú.

Eliminación de nuevas clasificaciones

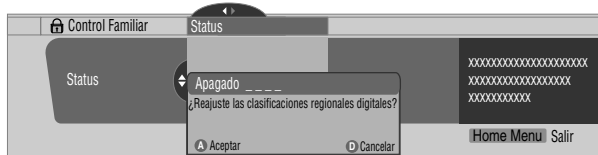
Puede eliminar un nuevo menú Control Familiar. Cuando se elimina el menú, las configuraciones de bloqueo antiguas que había introducido también se eliminan y desaparecen del menú.

- 1 Pulse **HOME MENU**.
- 2 Seleccione "Config. sintonizador" (↑/↓ y, a continuación, ENTER).
- 3 Seleccione "Control Familiar" (←/→ y, a continuación, ENTER).
- 4 Seleccione "Status" y, a continuación, "Apagado" (↑/↓ y, a continuación, ENTER).



- La pantalla de introducción de contraseña aparece. Introduzca la contraseña de cuatro dígitos utilizando los botones 0 a 9.

- 5 Seleccione **A** para "Aceptar" o **D** para "Cancelar".



- Sin embargo, el nuevo menú Control Familiar permanece cuando la pantalla de selección para eliminar las nuevas clasificaciones desaparece dentro de aproximadamente 60 segundos si no se hace ninguna configuración.

- 6 Pulse **HOME MENU** para salir del menú.



Nota

- Mientras el menú Control Familiar está abierto, la visualización de estado permanece inmutable aunque el sistema tenga recibido emisiones con nuevas clasificaciones.
- Bloquear una clasificación hace que clasificaciones más rigurosas se bloqueen automáticamente. Del mismo modo, desbloquear una clasificación hace que clasificaciones menos rigurosas se desbloqueen automáticamente.

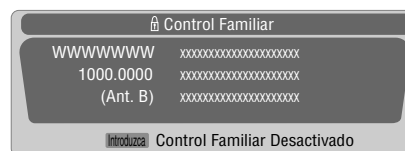
Desactivación temporal del control familiar

Cuando el control familiar está funcionando y detecta un programa de TV bloqueado (o contenido), la pantalla de plasma visualiza un mensaje sin ninguna imagen.

El método para desactivar temporalmente el control familiar difiere, dependiendo de la fuente de entrada seleccionada actualmente.

Antena A o Antena B:

La pantalla siguiente aparece. Pulse **ENTER**.



Introduzca su contraseña de cuatro dígitos.



- La pantalla de introducción de contraseña permanece visualizada solamente durante un minuto. Después que desaparezca la pantalla, pulsar **ENTER** hace que la misma aparezca nuevamente.

Entrada 1 a Entrada 3:

Introduzca su contraseña de cuatro dígitos. No necesita pulsar **ENTER** primero, pulsar **ENTER** hace que la pantalla de introducción de contraseña desaparezca.



- La pantalla de introducción de contraseña de arriba también se visualiza en el modo de 2 pantallas o imagen-en-imagen, y mientras una imagen está congelada.
- La pantalla de introducción de contraseña permanece visualizada solamente durante un minuto. Después que desaparezca la pantalla, pulsar **ENTER** hace que la misma aparezca nuevamente.
- Se visualiza una pantalla de introducción de contraseña si se selecciona "Bloquear" en "Sin Clasificaciones" para ENTRADA 4 a ENTRADA 7.

Configuración de sus canales favoritos

Configure hasta 10 canales de TV a cada uno de los cuatro botones de color del mando a distancia (40 canales en total). Luego, puede seleccionar rápidamente desde solamente sus canales favoritos.

- 1 Pulse HOME MENU.
- 2 Seleccione "Config. sintonizador" (↑/↓ y, a continuación, ENTER).
- 3 Seleccione "Favoritos" (←/→ y, a continuación, ENTER).
- 4 Seleccione un botón de color (A, B, C, D) (↑/↓ y, a continuación, ENTER).
- 5 Seleccione el canal de TV que desee registrar (↑/↓ y, a continuación, ENTER).



- Aparece una estrella junto a los canales favoritos actualmente seleccionados.
- Para registrar otro canal de TV en el mismo botón de color, repita el paso 5. Para registrar otro canal de TV en un botón de color diferente, repita los pasos 4 y 5.

- 6 Pulse HOME MENU para salir del menú.

Configuración de la subtítulos

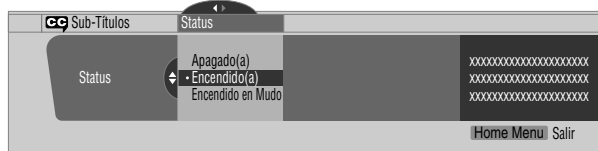
Su pantalla de plasma está equipada con un descodificador de subtítulos. La subtítulos le permite ver conversaciones, narraciones y efectos sonoros en programas de TV y vídeos domésticos como subtítulos en la pantalla de plasma.

Puede disfrutar de la subtítulos digital cuando esté viendo programas de TV digitales. La subtítulos digital le permite cambiar los parámetros como fuentes y colores.

- No todos los programas y vídeos ofrecen la subtítulos.
- Sírvase comprobar el símbolo "CC" para asegurarse de que los subtítulos pueden visualizarse.

Activación de la subtítulos

- 1 Pulse HOME MENU.
- 2 Seleccione "Config. sintonizador" (↑/↓ y, a continuación, ENTER).
- 3 Seleccione "Sub-Títulos" (←/→ y, a continuación, ENTER).
- 4 Seleccione "Status" (↑/↓ y, a continuación, ENTER).
- 5 Seleccione "Encendido(a)" o "Encendido en Mudo" (↑/↓ y, a continuación, ENTER).



Ítem	Descripción
Apagado(a) (selección predeterminada)	No muestra la subtítulos
Encendido(a)	Siempre muestra la subtítulos
Encendido en Mudo	Muestra la subtítulos sólo mientras el sonido está silenciado

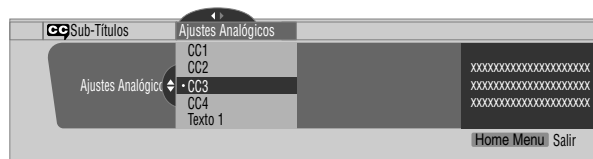
- 6 Pulse HOME MENU para salir del menú.

Selección del tipo de subtítulos convencional

Seleccione el tipo de subtítulos convencional que desea ver después de sintonizar un canal de TV convencional. Esta selección también entra en efecto cuando se selecciona un programa de TV que provea solamente subtítulos convencional.

- "CC 1", "CC 2", "CC 3" o "CC 4" visualizan los subtítulos de dramas de TV y programas de noticias mientras permiten una visualización completa de la imagen.
- "Text 1", "Text 2", "Text 3" o "Text 4" superponen en la imagen otra información (ej., guía de TV, tiempo) que es independiente del programa que se está viendo.

- 1 Pulse HOME MENU.
- 2 Seleccione "Config. sintonizador" (↑/↓ y, a continuación, ENTER).
- 3 Seleccione "Sub-Títulos" (←/→ y, a continuación, ENTER).
- 4 Seleccione "Ajustes Analógicos" (↑/↓ y, a continuación, ENTER).
- 5 Seleccione la subtítulos deseada (↑/↓ y, a continuación, ENTER).



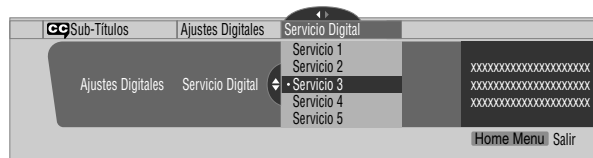
- El valor predeterminado de fábrica es "CC 1".

- 6 Pulse HOME MENU para salir del menú.

Selección de la subtítulos digital

Utilice el procedimiento siguiente para seleccionar la subtítulos digital: Servicio 1 a 6.

- 1 Pulse HOME MENU.
- 2 Seleccione "Config. sintonizador" (↑/↓ y, a continuación, ENTER).
- 3 Seleccione "Sub-Títulos" (←/→ y, a continuación, ENTER).
- 4 Seleccione "Ajustes Digitales" (↑/↓ y, a continuación, ENTER).
- 5 Seleccione "Servicio Digital" (↑/↓ y, a continuación, ENTER).
- 6 Seleccione la subtítulos deseada (↑/↓ y, a continuación, ENTER).



- El valor predeterminado de fábrica es "Servicio 1".

- 7 Pulse HOME MENU para salir del menú.

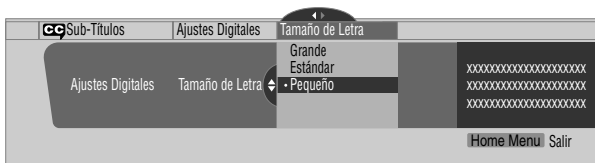
Nota

- Usualmente el servicio de subtítulos primaria se ofrece para el Servicio 1, y el servicio de idioma secundario se ofrece para el Servicio 2, si esos servicios están disponibles.

Selección de los parámetros de la subtítulos digital

Utilice el procedimiento siguiente para cambiar los parámetros de la subtítulos digital como tamaño de fuente, tipo de fuente, colores de primer y segundo plano.

- Pulse HOME MENU.
- Seleccione "Config. sintonizador" (↕ y, a continuación, ENTER).
- Seleccione "Sub-Títulos" (↔ y, a continuación, ENTER).
- Seleccione "Ajustes Digitales" (↕ y, a continuación, ENTER).
- Seleccione "Tamaño de Letra", "Letra Tipo" o cualquier otro ítem (↕ y, a continuación, ENTER).
- Seleccione el parámetro deseado (↕ y, a continuación, ENTER).



- Repita los pasos 5 y 6 como sea necesario (←, ↕).

- Pulse HOME MENU para salir del menú.

En la tabla siguiente se muestran los parámetros seleccionables para cada ítem.

Ítem	Selección
Tamaño de Letra	Auto/ Grande / Estándar/ Pequeño
Letra Tipo ¹	Auto/Letra Tipo 1/Letra Tipo 2/Letra Tipo 3/Letra Tipo 4/Letra Tipo 5/Letra Tipo 6/Letra Tipo 7
Color de Letra	Auto/ Negro/Blanco/Rojo/Verde/Azul/Amarillo/Rosa Fuerte/Azul Cielo
Nivel Opaco de Letra	Auto/Sólido/Transparente/Translúcido/Intermitente
Color de Fondo	Auto/Negro/Blanco/Rojo/Verde/Azul/Amarillo/Rosa Fuerte/Azul Cielo
Nivel Opaco de Fondo	Auto/Sólido/Transparente/Translúcido

¹ Letra Tipo 1 (espacio fijo con serif)/Letra Tipo 2 (espacio proporcional con serif)/Letra Tipo 3 (espacio fijo sin serif)/Letra Tipo 4 (espacio proporcional sin serif)/Letra Tipo 5 (letra casual)/Letra Tipo 6 (letra cursiva)/Letra Tipo 7 (letra mayúscula pequeña)

Con "Auto" seleccionado, se utilizan los parámetros especificados por el proveedor; si no se han especificado por el proveedor, se utilizan los parámetros predeterminados en negritas. Si se seleccionan parámetros diferentes de "Auto", se utilizan los parámetros seleccionados independientemente de las especificaciones del proveedor.

Ajuste del reloj

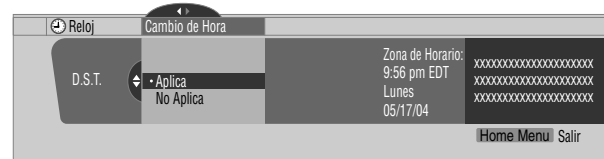
Cuando "Auto Ajuste" está seleccionado para el ajuste del reloj, el sistema adquiere y configura la información de la hora automáticamente. También puede ajustar la hora manualmente. Si desenchufa el cable de alimentación de la toma de corriente o si ocurre un apagón, la hora ajustada se borra.

- Pulse HOME MENU.
- Seleccione "Config. sintonizador" (↕ y, a continuación, ENTER).
- Seleccione "Reloj" (↔ y, a continuación, ENTER).
- Seleccione "Zona de Horario" (↕ y, a continuación, ENTER).
- Seleccione una zona de horario para su área (↕ y, a continuación, ENTER).



- Seleccione "D.S.T." (←, ↕ y, a continuación, ENTER).
- Seleccione "Aplica" o "No Aplica" (↕ y, a continuación, ENTER).

- Cuando se inicia el modo "Cambio de Hora", seleccione "Aplica" para "D.S.T." y seleccione "No Aplica" para cancelarlo; de lo contrario, no se visualizará la hora correcta, independientemente de la configuración "Ajuste Man/Auto".

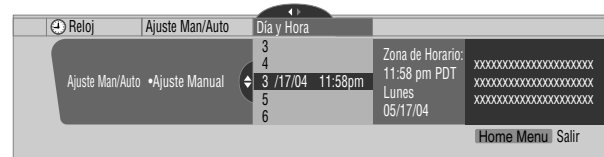


- Seleccione "Ajuste Man/Auto" (←, ↕ y, a continuación, ENTER).
- Seleccione "Auto Ajuste" o "Ajuste Manual" (↕ y, a continuación, ENTER).
- Si selecciona "Auto Ajuste", seleccione una antena (A o B) y un número de canal utilizando ↕ y, a continuación, ENTER.



- La fecha y la hora se corrigen automáticamente con los datos del canal seleccionado.

Si selecciona "Ajuste Manual", ajuste la fecha y la hora manualmente utilizando ↕, ↔ y ENTER.



- Pulse HOME MENU para salir del menú.

Nota

- Si configura el sistema TV Guide On Screen™, la pantalla de plasma adquiere la información de reloj a través del sistema TV Guide On Screen™; y en esta situación, no es posible configurar el reloj utilizando el menú. Si selecciona un parámetro para el menú Reloj y pulsa ENTER, la pantalla de menú desaparece y en su lugar aparece un cuadro de diálogo. Pulse A para eliminar el cuadro de diálogo.

Capítulo 10

Operación del sistema TV Guide On Screen™

Utilización del sistema TV Guide On Screen™

Antes que pueda utilizar el sistema TV Guide On Screen™, debe configurarlo. Si no ha configurado todavía, vaya a *Configuración del sistema TV Guide On Screen™* en la página 39 antes de continuar.

Avisos Legales

En los Estados Unidos, TV Guide y otras marcas relacionadas son marcas registradas de Gemstar-TV Guide International, Inc. y/o una de sus compañías afiliadas. En Canadá, TV Guide es una marca registrada de Transcontinental, Inc. y se utiliza bajo licencia por Gemstar-TV Guide International, Inc.



Nota

- La guía de programas interactiva TV Guide On Screen™ provee listas para servicios de cable digital y cable-ready, así como para transmisiones sobre el aire. Ello no provee listas para servicios por satélite.
- Después de configurar el sistema TV Guide On Screen™, puede que lleve hasta 24 horas para que comience a recibir las listas de programas de TV. La recepción de todos los ocho días de listas puede llevar hasta una semana.
- Puede que la guía de TV no esté disponible en todas las áreas. Además, con el traslado de muchos proveedores de contenidos a la programación y emisión digital, puede que los datos de la guía de TV no estén disponibles o queden indisponibles.

Componentes de la pantalla

Muchas de las pantallas tienen elementos comunes para facilitar la utilización del sistema.



- 1 Logotipo TV GUIDE**
- 2 Reloj** – Visualiza la hora actual.
- 3 Segmento de tiempo** – Se visualizan segmentos de media hora horizontalmente.
- 4 Etiqueta de tiempo** – Indica el segmento de tiempo seleccionado actualmente.
- 5 Etiqueta del servicio actual** – Indica el servicio seleccionado actualmente.
- 6 Barra servicio** – Da acceso a los varios servicios de la Guía.
- 7 Mosaico de título** – Muestra el título del programa de TV.
- 8 Barra información** – Visualiza varios iconos para transmitir información o mostrar el estado de un ítem.

- 9 Ventana de vídeo** – Le permite continuar viendo el programa actual mientras utiliza la Guía o para ver el programa seleccionado en la lista.
- 10 Publicidades y entrada de menú de panel** – Espacio para publicidad de los programas o productos (y el menú de panel).
- 11 Logotipo y número del canal** – Identifica la red y el número del canal.
- 12 Info Box** – Visualiza información sobre el ítem realzado.
- 13 Realce** – Indica un archivo activo, desde el cual puede configurar un aviso, visualizar un menú, etc.

Iconos del sistema TV Guide On Screen™

Se utilizan varios iconos para transmitir información o mostrar el estado de un ítem. Puede localizar estos iconos en Barra información, dentro de Info Box, o al lado de los títulos de los programas.

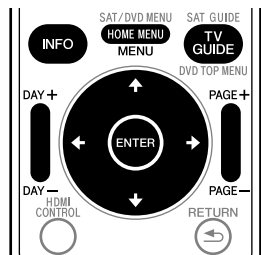
- **Info icon** – Hay información adicional disponible; pulse el botón **INFO** para visualizar.
- **Progress Bar** – Muestra el tiempo transcurrido del programa actual.
- **HDTV** – Indica que un programa es una transmisión de alta definición.
- **New** – El programa es nuevo (no una repetición).
- **Stereo** – El programa es estéreo.
- **CC** – El programa tiene subtitulación.
- **TV 14** **TV Rating** – Indica la clasificación de edad para el programa.
- **Remind Once** – Aviso de una sola vez
- **Remind Daily** – Avisa para el mismo canal y misma hora cada Lunes a Viernes (solamente grabación manual).
- **Remind Regularly** – Avisa sobre el mismo programa cualquier día que se lo transmita en el mismo canal y a la misma hora.
- **Remind Weekly** – Avisa cada semana a la misma hora/día.
- **Remind Off** – El programa permanece en la lista SCHEDULE, pero no será avisado hasta que se cambie la frecuencia a una de las indicadas arriba.

Navegación por el sistema TV Guide On Screen™

En la tabla a continuación se muestra un resumen de los botones a distancia que se pueden utilizar para navegar por el sistema TV Guide On Screen™.

Tecla	Qué hace
TV GUIDE	Pulse para visualizar el sistema TV Guide On Screen™ (utilice también para salir).
↑/↓/←/→	Utilice para navegar por las pantallas (realzar un ítem).
ENTER	Pulse para comprobar una selección o ejecutar una acción. También puede utilizarse para visualizar el menú de panel cuando un programa futuro está realzado.
MENU	Pulse para visualizar el menú de panel.
INFO	Pulse para cambiar a través de la información disponible para el programa o pantalla actual.
Botones numéricos	Utilice para la entrada numérica.
PAGE +/-	Pulse para seleccionar la página anterior/siguiente de información (si aplicable).
DAY +/-	Pulse para saltar al día siguiente/anterior de listas de programas (si aplicable).

También puede utilizar los botones **TV GUIDE**, **ENTER**, **UP/DOWN** y **LEFT/RIGHT** en la pantalla de plasma. Los botones **UP/DOWN** y **LEFT/RIGHT** funcionan de la misma forma que los botones **↑/↓** y **←/→** en el mando a distancia.



La pantalla de listas

Puede considerar la pantalla de listas como la pantalla "principal" del sistema TV Guide On Screen™. Esta es la pantalla que aparece cuando se pulsa **TV GUIDE**.

De la pantalla de listas, puede:

- Ver ocho días de listas de programas.
- Visualizar información sobre programas individuales.
- Seleccionar un programa para ver.
- Configurar un programa para aviso.
- Ver una visualización pequeña de cualquier canal en la ventana de vídeo.
- Acceder a las publicidades de panel y canal.

1 Pulse TV GUIDE para visualizar la pantalla de listas.



- Cuando "LISTINGS" está realzado en la barra servicio en la parte superior de la pantalla, pulse **INFO** para visualizar (o cerrar) la información Help.
- Pulse **TV GUIDE** a cualquier momento para salir.

2 Pulse ↑/↓/←/→ para navegar por la pantalla de listas.

- Con un programa siendo transmitido actualmente realzado, pulse **ENTER** para verlo.
- Mueva a la derecha para los segmentos de tiempo subsiguientes.
- Pulse **PAGE+/-** para desplazar una pantalla vertical a la vez.
- Pulse **INFO** para visualizar la información adicional (si disponible) sobre el programa seleccionado actualmente.
- Pulse **DAY+/-** para saltar al día siguiente/anterior en la rejilla de listas.

Configuración de los avisos de programa

Al configurar un aviso de programa, puede recibir una alerta de TV cuando el programa está para comenzar en otro canal. Puede configurar avisos para episodios individuales de un programa, o cada vez que se transmite un programa.

1 De LISTINGS, SCHEDULE o SEARCH, realce el programa al cual desea configurar un aviso.



2 Pulse MENU para visualizar el menú Episode Options.



3 Realce "set reminder" y pulse ENTER.

4 Configure las opciones de aviso:

Pulse **▲/▼** para realizar un campo, y pulse **◀/▶** para cambiar la configuración.

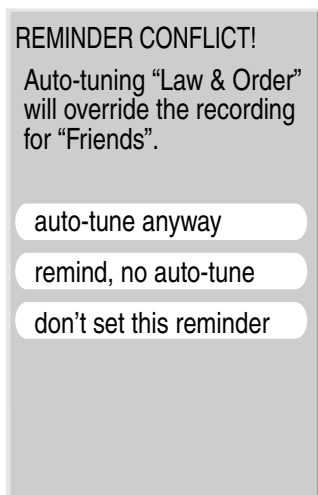
- **frequency** – seleccione la frecuencia para el aviso: **Once** (una vez), **Regularly** (a la misma hora en el mismo canal), o **Weekly** (cada semana a la misma hora/día). También hay una opción **Off** que coloca el programa en la programación de aviso, pero sin aviso (puede configurarlo para aviso posteriormente).
- **auto tune** – seleccione si el televisor debe o no cambiar los canales automáticamente cuando se recibe un aviso.
- **when** – configure cuando el aviso debe aparecer (antes, en la hora, o después del inicio de un programa).

5 Después de hacer todas las configuraciones deseadas, pulse ENTER para realizar "schedule reminder" y, a continuación, pulse ENTER nuevamente.



- Ahora el aviso está configurado (y aparecerá en SCHEDULE) y el icono apropiado aparecerá en el mosaico de programa.

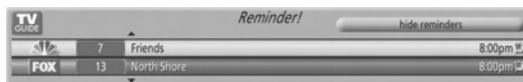
Si hay un conflicto de hora con un aviso de sintonización automática programada anteriormente, recibirá una alerta sobre esto. Puede seleccionar para configurar un aviso para el programa que está causando el conflicto, o cancelar el aviso. Las pantallas siguientes aparecen dependiendo si el programa sobrepondrá un aviso programado.



Cuando se recibe un aviso programado (auto-tune está desactivado)

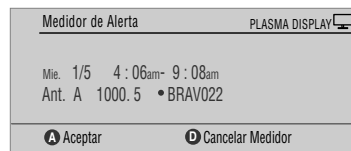
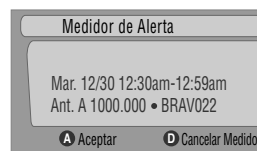
Dependiendo de las configuraciones hechas, su aviso de programa aparecerá en la pantalla de TV alrededor de la hora en que el programa está programado para comenzar. Esto ocurre cuando ha seleccionado "NO" para la sintonización automática. El aviso permanecerá en la pantalla durante tres minutos antes que desaparezca automáticamente.

Pulse **ENTER** para sintonizar el programa realzado en el aviso, o realce "hide reminders" para descartar el aviso.



Si más de un aviso está configurado para la misma hora, seleccione el programa deseado pulsando **▲/▼**.

Dependiendo de la situación, las siguientes pantallas aparecerán. En este caso, el aviso permanecerá en la pantalla durante 15 segundos antes que desaparezca automáticamente.

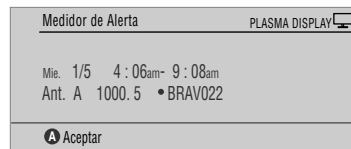
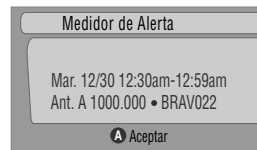


Pulse **A** para dejar el aviso efectivo, o **D** para descartarlo.

Cuando se recibe un aviso programado (auto-tune está activado)

Si la configuración "auto-tune" ha sido ajustada a "yes" en Remind Options, una de las siguientes pantallas aparece, dependiendo de la situación.

La pantalla permanecerá durante 15 segundos antes que desaparezca automáticamente.



Pulse **A** para que la pantalla Medidor de Alerta desaparezca.

Búsqueda de programas

La pantalla Search le permite buscar programas alfabéticamente, por categoría o por palabra clave. También puede buscar programas HDTV.

Búsqueda por categoría

Aquí puede buscar programas por categoría y, a continuación, por una subcategoría, si quisiera.

- 1 Seleccione "SEARCH" desde la barra servicio en la parte superior de la pantalla.
- 2 Pulse **↓** para mover la barra de categoría de búsqueda y, a continuación, pulse **←/→** para seleccionar una categoría de búsqueda.



- Las categorías disponibles pueden incluir:
 - Películas
 - Deportes
 - Niños
 - Educación
 - Noticias
 - Variedades
 - Series
 - HDTV

- 3 Pulse **↓** para mover a las subcategorías de búsqueda y seleccione la subcategoría deseada.



- Las subcategorías disponibles dependen de la categoría seleccionada en el último paso.

- 4 Pulse ENTER para visualizar una lista de programas que se ajustan a las categorías seleccionadas.



- 5 Realce una lista de programas y pulse MENU para visualizar el panel de menú Episode Options.



- Si la lista de programas contiene un programa que está siendo transmitido actualmente, puede pulsar **ENTER** para verlo inmediatamente.

Búsqueda por palabra clave

Aquí puede buscar programas basados en palabras claves. Las palabras claves creadas se almacenan, de modo que pueda utilizarlas de nuevo en el futuro.

- 1 Seleccione **"SEARCH"** desde la barra servicio en la parte superior de la pantalla.
- 2 Pulse **↓** para mover la barra de categoría de búsqueda y, a continuación, pulse **←/→** para seleccionar **"KEYWORD"**.



- Si ya ha introducido cualesquier palabras claves, las mismas se visualizarán. Simplemente seleccione la palabra clave que desea buscar nuevamente.
- Para editar o eliminar una de las palabras claves visualizadas, reálcela y, a continuación, pulse **MENU**. Desde el menú de panel puede seleccionar "edit search" o "delete search".

- 3 Pulse **ENTER** para visualizar el menú Keyword Search.



- 4 Seleccione **"new search"**.
- 5 Si desea cambiar la categoría, mueva hacia arriba y seleccione la categoría deseada.
 - Para buscar utilizando solamente la palabra clave, deje la categoría ajustada como "All".
 - Si selecciona una categoría ("HDTV", por ejemplo), sólo verá los programas en tal categoría que también incluyen la palabra clave.
- 6 Realce **"enter keyword"** y pulse **ENTER**.

- 7 Introduzca la palabra clave para la búsqueda.



- Realce los caracteres pulsando **↑/↓/←/→**, y, a continuación, pulse **ENTER** para introducirlos.
- La palabra clave introducida se almacena de modo que pueda utilizarla nuevamente cuando necesite.

- 8 Seleccione **"DONE"** para iniciar la búsqueda.
- 9 Realce una lista de programas y, a continuación, pulse **MENU** para visualizar el panel de menú Episode Options.



- Si la lista de programas contiene un programa que está siendo transmitido actualmente, puede pulsar **ENTER** para verlo inmediatamente.

Búsqueda alfabética

Esta búsqueda ha sido diseñada para visualizar todos los programas que comienzan con una letra particular.

- 1 Seleccione **"SEARCH"** desde la barra servicio en la parte superior de la pantalla.
- 2 Pulse **↓** para mover la barra de categoría de búsqueda y, a continuación, pulse **←/→** para seleccionar **"ALPHABETICAL"**.



- 3 Pulse ENTER.
- 4 Seleccione una letra y, a continuación, pulse ENTER para visualizar todos los programas que comienzan con tal letra.
- 5 Realce una lista de programas y pulse MENU para visualizar el panel de menú Episode Options.



- Si la lista de programas contiene un programa que está siendo transmitido actualmente, puede pulsar **ENTER** para verlo inmediatamente.

El menú de búsqueda Episode Options

Del menú Episode Options, puede seleccionar:

- **go to Service Bar** – cierra el panel de menú y vuelve a la barra servicio en la parte superior de la pantalla.
- **tune to channel / watch now** – sale de la guía TV Guide On Screen™ y sintoniza el canal.
- **set reminder** – va al menú Remind Options.
- **cancel** – cierra el menú de panel y vuelve a la lista de programas realizada.

Consejos para la navegación y búsqueda

- Los botones **↑/↓** desplazan el realce entre las opciones en el menú de panel. Utilice los botones numéricos para introducir la información.
- Si un campo realzado tiene flechas en uno de sus lados, pulse **←/→** para cambiar a través de las opciones.
- Pulse **ENTER** en cualquier opción para realzar el comando predeterminado (por ejemplo, **Done**) y, a continuación, pulse **ENTER** nuevamente para ejecutar y cerrar el menú de panel.
- Seleccione **Cancel** y pulse **ENTER** para cerrar el menú de panel y volver a la pantalla anterior, o pulse **MENU** para cancelar cualesquier cambios y cerrar el menú.

Programación de avisos

Del área Schedule, puede revisar, editar o eliminar avisos.

- 1 Seleccione **“SCHEDULE”** desde la barra servicio en la parte superior de la pantalla.



Se visualiza una lista de programas que tienen eventos de aviso programados. Los iconos en el lado derecho indican el estado de los eventos.

- **Once** – aviso de una sola vez
- **Daily** – Avisa para el mismo canal y misma hora cada Lunes a Viernes (solamente grabación manual)
- **Regularly** – Avisa el mismo programa cualquier día que se lo transmita en el mismo canal y a la misma hora¹.
- **Weekly** – Avisa semanalmente (cada semana a la misma hora/día)
- **Off** – El programa permanece en la lista SCHEDULE, pero no será avisado hasta que se cambie la frecuencia a una de las indicadas arriba.

¹ El aviso todavía aparecerá si el programa comienza a cualquier hora hasta el punto mediano del programa original. Por ejemplo, hasta 9:15 para un programa de las 9:00 a 9:30.

- 2 Realce un programa en la lista y pulse **MENU** para visualizar el menú de panel Schedule Options.



- Al realzar un programa en la lista, verá la información relacionada a tal programa en Info Box.

Utilización de la lista de avisos To Do

La pantalla To Do enumera los eventos programados con un icono que identifica el tipo de evento. De la pantalla To Do, puede revisar, editar o eliminar eventos de aviso configurados anteriormente. Puede organizar los eventos programados por fecha, título o tipo de evento. También puede programar un aviso manual.

El menú Schedule Options

El menú Schedule Options es accesible mediante la pulsación de **MENU** cuando "SCHEDULE" está realizado en la barra servicio, o un programa está realizado.

Cuando "SCHEDULE" está realizado en la barra servicio:

- **go to Service Bar** – cierra el menú de panel y vuelve a la barra servicio en la parte superior de la pantalla.
- **sort by** – seleccione un orden de clasificación para la listas de programas.
- **new manual reminder** – seleccione y llene todos los campos necesarios para configurar el aviso. Seleccione "schedule reminder" cuando esté listo para almacenar y salir, o seleccione "cancel" para salir sin almacenar.
- **done** – cierra el menú de panel y vuelve a la barra servicio en la parte superior de la pantalla.
- **cancel** – cierra el menú de panel sin almacenar ningún cambio y vuelve a la barra servicio en la parte superior de la pantalla.

Cuando un programa está realizado:

- **go to Service Bar** – cierra el menú de panel y vuelve a la barra servicio en la parte superior de la pantalla.
- **watch now** – inicia la visualización del programa seleccionado (esta opción es "tune to channel" para un programa que no está siendo transmitido en el momento).
- **cancel** – cierra el menú de panel y vuelve a la lista de programas realizada.

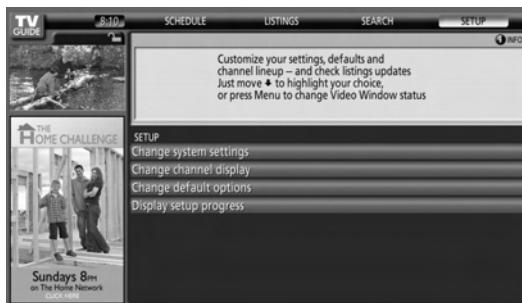
Para aviso:

- **delete reminder** – elimine el aviso de la programación (requiere confirmación).
- **edit reminder** – edite las configuraciones de aviso (abre el menú Remind Options).

Cambio de las opciones de configuración

Puede cambiar las configuraciones de TV Guide On Screen™ desde el menú Setup. Las opciones de configuración se dividen en tres categorías: Configuraciones del sistema, visualización de los canales, opciones predeterminadas y visualización del progreso de configuración.

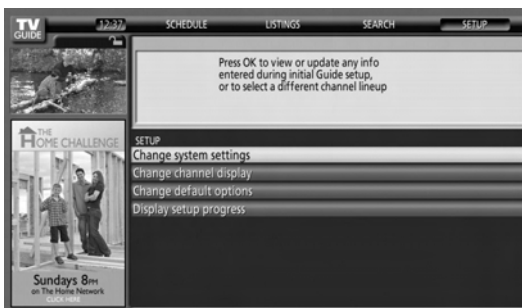
- 1 Seleccione "SETUP" desde la barra servicio en la parte superior de la pantalla.



Cambios de las configuraciones del sistema

Las configuraciones del sistema (system settings) incluyen su código ZIP/postal y su configuración de TV por cable.

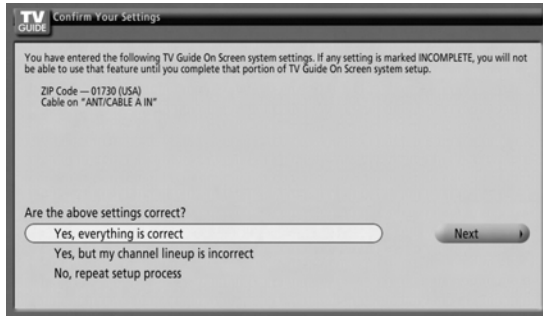
- 1 Realce el ítem "Change system settings".



Al realzar una opción, puede ver las configuraciones que puede ajustar en tal área:

- **System settings** – código ZIP/postal, configuración de cable, etc.
- **Channel display** – Posición de canal, canal de sintonización, activación/desactivación de visualización, etc.
- **Default options** – Ajustes predeterminados generales y de aviso
- **Display setup progress** – Estado de varias funciones de configuración de guía

2 Pulse ENTER para visualizar las configuraciones y opciones actuales para cambiarlas.



3 Seleccione una de las opciones y, a continuación, siga las instrucciones en la pantalla.

- Yes, everything is correct: visualiza una pantalla de información útil. Pulse ENTER para salir de TV Guide On Screen™.
- Yes, but my channel lineup is incorrect: visualiza una pantalla de la cual puede seleccionar el grupo de canales correcto. Pulse ENTER para visualizar la pantalla Channel Editor.
- No, repeat setup process: visualiza la pantalla 1 que se muestra en la página 40.

Cambio de las configuraciones de visualización de canales

Desde las configuraciones Channel Display, puede configurar/cambiar:

- la configuración de visualización para visualizar siempre (On), no visualizar nunca (Off), o visualizar solamente cuando la información del canal está disponible (Auto Hide)
- el número del canal sintonizado
- la posición del canal en la lista de canales

1 Realce el ítem "Change channel display".



2 Pulse ENTER para visualizar el editor de canal.



3 Pulse ↑/↓ para realzar un canal y, a continuación, pulse ENTER para ir al menú Grid Options.



Del menú Grid Options, puede seleccionar:

- **channel** – (visualizar en la lista de canales), Off (no visualizar) o Auto Hide (ocultar cuando no hay información del canal disponible)
- **tune channel** – el número del canal en que la lista de canales está sintonizada
- **position** – sitio en que el canal aparece en la lista de canales
- **Re-sort numerically** para cambiar el orden de canal en el servicio Listings (y Channel Editor) a numérico
- **Undo all changes** para reponer todas las opciones Channel Editor (y visualización Listings) a sus selecciones originales (fábrica)

4 Cuando finalice todas las configuraciones deseadas para el canal, realce "done" y, a continuación, pulse ENTER.

- Para cancelar sin almacenar ninguno de los cambios hechos, seleccione "cancel".

Cambio de las opciones predeterminadas

Este es el lugar para cambiar las configuraciones predeterminadas para los avisos y otros ítems generales.

1 Seleccione el ítem "Change default options".



2 Seleccione una de las dos categorías de opciones predeterminadas.

Un panel de menú diferente aparece para cada opción:

Opciones predeterminadas generales

- **Tamaño de Info Box al entrar en la Guía**
 - Small
 - Large
 - No
 - Last used (selección predeterminada)
- **Posición Info Box**
 - Float
 - Top (selección predeterminada)
- **Estado de la Ventana de vídeo**
 - Locked (selección predeterminada)
 - Unlocked
- **Identificación de canal en Listings**
 - Logo
 - Number
 - Both (selección predeterminada)
- **Guía automática (si la Guía aparece automáticamente cuando se enciente el sistema)**
 - On
 - Off (selección predeterminada)

Opciones predeterminadas de aviso

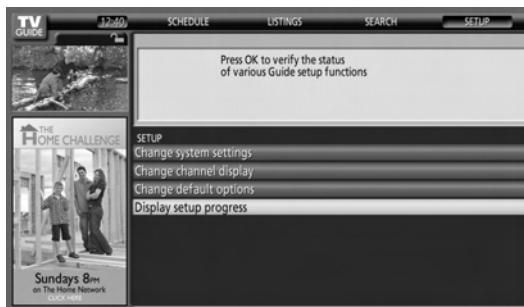
- **auto tune** – sintoniza automáticamente el canal correcto cuando se recibe un aviso (Yes o No)
- **when** – cuándo visualizar el aviso (15 minutos más temprano a 15 minutos más tarde, o en la hora)

3 Cuando finalice todas las configuraciones deseadas, realce "done" y, a continuación, pulse ENTER.

- Para cancelar sin almacenar ninguno de los cambios hechos, seleccione "cancel".

Visualización del progreso de configuración

La opción Display Setup Progress le permite verificar el estado de varias funciones de configuración de la Guía. Esta pantalla también aparece cuando se selecciona la Guía antes de recibir el grupo completo de canales.



Capítulo 11

Ajustes y configuraciones

Selección AV

Seleccione entre las seis opciones de contemplación, dependiendo del entorno actual (p. ej., brillo de la sala), el tipo de programa de TV actual, o el tipo de entrada de imágenes del equipo externo.

1 Pulse AV SELECTION.

- El modo de selección AV actual aparece.

2 Pulse AV SELECTION de nuevo antes que el modo visualizado desaparezca.

- Para la fuente AV, el modo cambia en el orden siguiente: ÓPTIMO, ESTÁNDAR, DINÁMICO, PELÍCULA, JUEGO y USUARIO.
- Para la fuente PC, el modo cambia entre ESTÁNDAR y USUARIO.

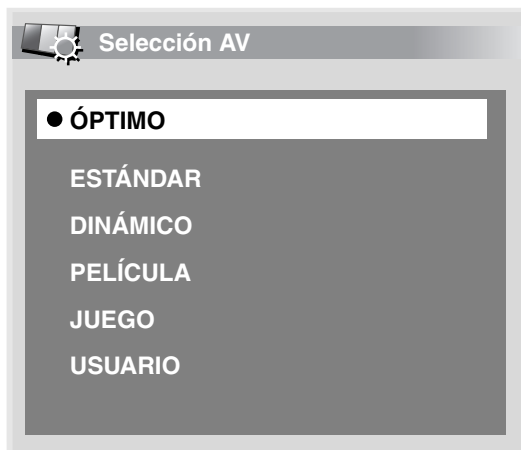
También puede utilizar el menú para cambiar las opciones.

1 Pulse HOME MENU.

2 Seleccione "Imagen" (↑/↓ y, a continuación, ENTER).

3 Seleccione "Selección AV" (↑/↓ y, a continuación, ENTER).

4 Seleccione la opción deseada (↑/↓ y, a continuación, ENTER).



Para la fuente de AV

Ítem	Descripción
ÓPTIMO	Ajusta automáticamente el brillo de la imagen al nivel óptimo de acuerdo con el nivel del brillo del área de visualización. Esta selección se comparte por una entrada externa y las fuentes de entrada de TV.
ESTÁNDAR	Para una imagen altamente definida en una sala con brillo normal. Esta selección se comparte por una entrada externa y las fuentes de entrada de TV.
DINÁMICO	Para una imagen muy nítida con máximo contraste. Este modo no permite el ajuste manual de la calidad de la imagen. Esta selección se comparte por una entrada externa y las fuentes de entrada de TV.
PELÍCULA	Para una película. Esta selección se comparte por una entrada externa y las fuentes de entrada de TV.
JUEGO	Reduce el brillo de la imagen para una visualización más fácil. Esta selección se comparte por una entrada externa y las fuentes de entrada de TV.
USUARIO	Permite al usuario personalizar las configuraciones que desee. Puede configurar el modo para cada fuente de entrada.

Para la fuente de PC

Ítem	Descripción
ESTÁNDAR	Para una imagen altamente definida en una sala con brillo normal.
USUARIO	Permite al usuario personalizar las configuraciones que desee. Puede configurar el modo para cada fuente de entrada.

5 Pulse HOME MENU para salir del menú.

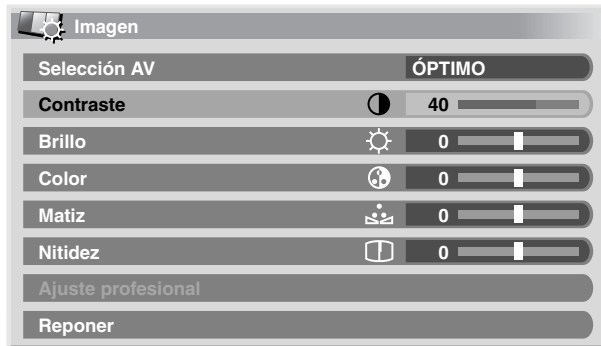
Nota

- También puede pulsar **AV SELECTION** en el mando a distancia para cambiar la opción de visualización.
- Si ha seleccionado "DINÁMICO", no puede seleccionar "Contraste", "Brillo", "Color", "Matiz", "Nitidez", "Ajuste profesional" y "Reponer"; estos ítems de menú están oscurecidos.
- Si ha seleccionado "ÓPTIMO", no podrá seleccionar "Ajuste profesional"; estos ítems de menú están oscurecidos.
- Para evitar daños de la pantalla, puede cambiar libremente el modo Selección AV mientras disfruta de la función Home Gallery. Sin embargo, cuando reanude la función Home Gallery después de cerrarla una vez, se selecciona "ESTÁNDAR" automáticamente para la fuente AV.
- Mientras disfruta de Home Gallery, puede cambiar libremente el modo Selección AV, pero no puede seleccionar "USUARIO".
- Como la función ÓPTIMO optimiza la calidad de la imagen automáticamente, puede verse en la pantalla el proceso en el cual las configuraciones de imagen cambian gradualmente, tales como brillo y matiz. Esto no es un fallo de funcionamiento.
- Cuando "ÓPTIMO" está seleccionado, las imágenes se reproducen basadas en la información adquirida en el Sensor de luz ambiental, independientemente de su configuración ("Encendido" o "Apagado") para el menú "Opción".

Ajustes de imagen básicos

Ajuste la imagen según sus preferencias para la opción Selección AV elegida (excepto DINÁMICO).

- 1 Pulse HOME MENU.
- 2 Seleccione "Imagen" (↑/↓ y, a continuación, ENTER).
- 3 Seleccione el elemento que desee ajustar (↑/↓ y, a continuación, ENTER).



Para la fuente de PC, la siguiente pantalla aparece:



- 4 Seleccione el nivel deseado (←/→).



- Cuando se visualice una pantalla de ajuste, también puede cambiar un ítem pulsando ↑/↓.

- 5 Pulse HOME MENU para salir del menú.

Para la fuente de AV

Ítem	Botón ←	Botón →
Contraste	Para menos contraste	Para más contraste
Brillo	Para menos brillo	Para más brillo
Color	Para menos intensidad de color	Para más intensidad de color
Matiz	Los tonos de la piel tiran a morado	Los tonos de la piel tiran a verde
Nitidez	Para menos nitidez	Para más nitidez

Para la fuente de PC

Ítem	Botón ←	Botón →
Contraste	Para menos contraste	Para más contraste
Brillo	Para menos brillo	Para más brillo
Rojo	Para rojo más débil	Para rojo más fuerte
Verde	Para verde más débil	Para verde más fuerte
Azul	Para azul más débil	Para azul más fuerte

Nota

- Para realizar los ajustes de imagen avanzados, seleccione "Ajuste profesional" en el paso 3 y, a continuación, pulse ENTER. Para los procedimientos subsiguientes, consulte *Ajustes de imagen avanzados*.
- Para restaurar los valores predeterminados de fábrica para todos los ítems, pulse ↑/↓ para seleccionar "Reponer" en el paso 3 y, a continuación, pulse ENTER. Aparecerá una pantalla de confirmación. Pulse ←/→ para seleccionar "Sí" y, a continuación, pulse ENTER.
- Puede que experimente un cambio brusco en la posición de la imagen y en el brillo de la pantalla cuando abra el menú "Imagen".

Ajustes de imagen avanzados

La pantalla de plasma provee varias funciones avanzadas para optimizar la calidad de la imagen. Para los detalles sobre estas funciones, consulte las tablas.

Utilización de PureCinema

- 1 Pulse HOME MENU.
- 2 Seleccione "Imagen" (↑/↓ y, a continuación, ENTER).
- 3 Seleccione "Ajuste profesional" (↑/↓ y, a continuación, ENTER).
- 4 Seleccione "PureCinema" (↑/↓ y, a continuación, ENTER).
- 5 Seleccione "Modo película" o "Optimización" (↑/↓ y, a continuación, ENTER).
- 6 Seleccione el parámetro deseado (↑/↓ y, a continuación, ENTER).
 - Con respecto a los parámetros seleccionables, consulte la tabla.

PureCinema

Detecta automáticamente una fuente basada en película (codificada originalmente en 24 fotogramas/segundo), la analiza y, a continuación, recrea cada fotograma fijo para ofrecer una calidad de imagen de alta definición.

Modo película	Apagado	Desactiva la función PureCinema
Estándar		Produce imágenes fluidas y vívidas (específicas para película) detectando automáticamente la información de imagen grabada cuando se visualizan imágenes de DVD o de alta definición (ej., películas) con 24 fotogramas por segundo
Suave		Produce imágenes en movimiento más fluidas y vívidas
Avanzar		Produce imágenes en movimiento fluidas y de calidad (como se ve en las pantallas de cine) convirtiendo a 72 Hz cuando se visualizan imágenes de DVD (ej., películas) con 24 fotogramas por segundo
Optimización	Apagado	Desactiva la optimización de texto
	Encendido	Mejora la calidad de visualización de subtítulos

- 7 Pulse HOME MENU para salir del menú.

Nota

- No se puede seleccionar "Estándar" para las siguientes señales de entrada: 480p, 720p@60 Hz, 1080p@60 Hz.
- No se puede seleccionar "Suave" para las siguientes señales de entrada: 1080p@60 Hz.
- No se puede seleccionar "Avanzar" para las siguientes señales de entrada: 1080p@60 Hz.
- Al seleccionar "Encendido" para "Pref. cont. juego" en el menú "Opción", se desactiva la configuración "PureCinema".

Utilización del detalle de imagen

- 1 Pulse HOME MENU.
- 2 Seleccione "Imagen" (↑/↓ y, a continuación, ENTER).
- 3 Seleccione "Ajuste profesional" (↑/↓ y, a continuación, ENTER).
- 4 Seleccione "Detalle imagen" (↑/↓ y, a continuación, ENTER).
- 5 Seleccione el elemento que desee ajustar (↑/↓ y, a continuación, ENTER).
 - Puede seleccionar "Imagen DRE", "Nivel negro", "ACL", "Modo realzador" o "Gamma".
- 6 Seleccione el parámetro deseado (↑/↓ y, a continuación, ENTER).

Imagen DRE

Aumenta el contraste en las imágenes de modo que la diferencia entre el brillo y oscuridad quede más distinta

Selecciones	Apagado	Desactiva la imagen DRE
	Alta	Imagen DRE realzada
	Media	Imagen DRE estándar
	Baja	Imagen DRE moderada

Nivel negro

Aumenta la parte oscura en las imágenes de modo que la diferencia entre el brillo y oscuridad quede más distinta

Selecciones	Apagado	Desactiva el nivel de negro
	Encendido	Activa el nivel de negro

ACL

Realiza una compensación que resulta en las características de contraste óptimas para las imágenes

Selecciones	Apagado	Desactiva la función ACL
	Encendido	Activa la función ACL

Modo realzador

Selecciona el proceso de las áreas de alta frecuencia (detalladas) de la imagen

Selecciones	1	Selecciona una imagen dura (NITIDEZ)
	2	Selecciona una imagen natural (NITIDEZ)
	3	Selecciona una imagen suave (NITIDEZ)

Gamma

Ajusta las características de gamma (características de degradación de imagen)

Selecciones	1	Selecciona las características de gamma 1
	2	Selecciona las características de gamma 2
	3	Selecciona las características de gamma 3

- 7 Pulse HOME MENU para salir del menú.

Utilización de la temperatura de color

- 1 Pulse HOME MENU.
- 2 Seleccione "Imagen" (↑/↓ y, a continuación, ENTER).
- 3 Seleccione "Ajuste profesional" (↑/↓ y, a continuación, ENTER).
- 4 Seleccione "Detalle color" (↑/↓ y, a continuación, ENTER).
- 5 Seleccione "Temperatura de color" (↑/↓ y, a continuación, ENTER).
- 6 Seleccione el parámetro deseado (↑/↓ y, a continuación, ENTER).

Temperatura del color

Ajusta la temperatura de color, resultando en mejor equilibrio del blanco.

Selecciones	Alta	Blanco con tono azulado
	Media	Tono natural
	Baja	Blanco con tono rojizo

- 7 Pulse HOME MENU para salir del menú.

Utilización de CTI

- 1 Pulse HOME MENU.
- 2 Seleccione "Imagen" (↑/↓ y, a continuación, ENTER).
- 3 Seleccione "Ajuste profesional" (↑/↓ y, a continuación, ENTER).
- 4 Seleccione "Detalle color" (↑/↓ y, a continuación, ENTER).
- 5 Seleccione "CTI" (↑/↓ y, a continuación, ENTER).
- 6 Seleccione el parámetro deseado (↑/↓ y, a continuación, ENTER).

CTI

Proporciona imágenes con contornos de color más claros. CTI es la sigla de Colour Transient Improvement (Mejora transitoria de color).

Selecciones	Apagado	Desactiva la función CTI
	Encendido	Activa la función CTI

- 7 Pulse HOME MENU para salir del menú.

Eliminación de ruido de las imágenes

- 1 Pulse HOME MENU.
- 2 Seleccione "Imagen" (↑/↓ y, a continuación, ENTER).
- 3 Seleccione "Ajuste profesional" (↑/↓ y, a continuación, ENTER).
- 4 Seleccione "Reducción ruido" (↑/↓ y, a continuación, ENTER).
- 5 Seleccione el elemento que desee ajustar (↑/↓ y, a continuación, ENTER).
 - Puede seleccionar "3DNR" o "NR campo".
- 6 Seleccione el parámetro deseado (↑/↓ y, a continuación, ENTER).

3DNR

Elimina el ruido de vídeo para ofrecer imágenes nítidas. 3DNR es la sigla para reducción de ruido tridimensional.

Selecciones	Apagado	Desactiva la función 3DNR
	Alta	3DNR realzado
	Media	3DNR estándar
	Baja	3DNR moderado

NR campo

Elimina el centelleo para proporcionar imágenes más naturales

Selecciones	Apagado	Desactiva el NR campo
	Alta	NR campo realizado
	Media	NR campo estándar
	Baja	NR campo moderado

7 Pulse HOME MENU para salir del menú.

Comparación de los ajustes de imagen en la pantalla

Durante los ajustes de imagen, puede referirse rápidamente a la imagen ajustada anteriormente con el mismo parámetro, lo que le permite comparar fácilmente y seleccionar la calidad de imagen preferida.

- 1 Pulse HOME MENU.
- 2 Seleccione "Imagen" (↑/↓ y, a continuación, ENTER).
- 3 Seleccione el elemento que desee ajustar (↑/↓ y, a continuación, ENTER).
- 4 Mientras realiza el ajuste, pulse AZUL en el mando a distancia.

Se visualiza "Antes" y la imagen ajustada anteriormente aparece para comparación.

Antes

5 Pulse de nuevo el botón para volver a la imagen que está ajustando actualmente.

Cada pulsación del botón cambia entre "Antes" y "Después".

- 6 Repita los pasos 1 y 5 para otros parámetros.
- 7 Pulse HOME MENU para salir del menú.

Precaución

- Si sale el menú pulsando HOME MENU o no realiza ninguna operación dentro de 60 segundos, las configuraciones visualizadas por último de todos los parámetros se almacenarán en la memoria.
- Si desea salir del menú sin ejecutar los ajustes (o dejar las configuraciones desactivadas) en la pantalla "Después", cambie a "Antes" y, a continuación, salga.

Nota

- No se puede ajustar ningún ítem en la pantalla "Antes". Un mensaje de advertencia aparece.
- Al cambiar a otro parámetro, asegúrese de cambiar la pantalla de "Antes" a "Después" primero; de lo contrario, no podrá seleccionar "Antes". Un mensaje de advertencia aparece si no lo hace.
- Si sale de la selección de la pantalla "Antes", la entrada anterior se almacena en la memoria y el botón no funciona más.
- Si sale de la selección de la pantalla "Después", la nueva entrada se almacena en la memoria y el botón no funciona más.
- Si selecciona y cambia el parámetro "Selección AV", la nueva entrada en el parámetro actual se almacena en la memoria y el botón continúa funcionando.
- No puede comparar imágenes entre parámetros diferentes en el menú "Selección AV" ("ESTÁNDAR" y "PELÍCULA", por ejemplo).

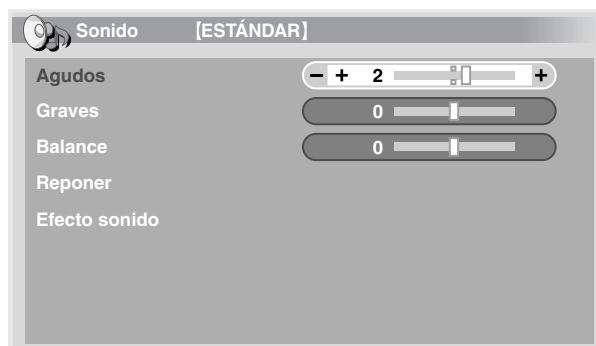
- Cuando selecciona esta función, "ÓPTIMO" en el menú "Selección AV" y "Sensor luz amb." en el menú "Opción" se desactivan y la calidad de la imagen vuelve a las configuraciones predeterminadas.
- No se puede seleccionar esta función:
 - cuando se selecciona "Selección AV",
 - cuando se selecciona "Sí" o "No" en la pantalla de confirmación para "Reponer" en el menú "Imagen" o
 - cuando se selecciona un menú de la fuente de PC

Ajustes del sonido

Puede ajustar la calidad del sonido según sus preferencias con las configuraciones siguientes.

Ajuste el sonido según sus preferencias para la opción Selección AV elegida. Consulte la página 60.

- 1 Pulse HOME MENU.
- 2 Seleccione "Sonido" (↑/↓ y, a continuación, ENTER).
- 3 Seleccione el ítem que desee ajustar (↑/↓).
- 4 Seleccione el nivel deseado (←/→).



Ítem	Botón ←	Botón →
Agudos	Para agudos más débiles	Para agudos más fuertes
Graves	Para graves más débiles	Para graves más fuertes
Balance	Desplaza el balance de audio hacia la izquierda	Desplaza el balance de audio hacia la derecha

5 Pulse HOME MENU para salir del menú.

Nota

- No es posible ajustar el sonido para la escucha con auriculares.
- Si realiza ajustes de sonido con los auriculares conectados, las nuevas configuraciones entrarán en efecto tan pronto desconecte los auriculares.
- Para restaurar los valores predeterminados de fábrica para todos los ítems, pulse ↑/↓ para seleccionar "Reponer" en el paso 3 y, a continuación, pulse ENTER. Aparecerá una pantalla de confirmación. Pulse ←/→ para seleccionar "Sí" y, a continuación, pulse ENTER.

Efecto sonido

Puede seleccionar entre SRS FOCUS, SRS o SRS TruBass.

- 1 Pulse **HOME MENU**.
- 2 Seleccione **"Sonido"** (↑/↓ y, a continuación, ENTER).
- 3 Seleccione **"Efecto sonido"** (↑/↓ y, a continuación, ENTER).
- 4 Seleccione **"SRS FOCUS", "SRS" o "SRS TruBass"** (↑/↓).
- 5 Seleccione el parámetro deseado (←/→).


SRS FOCUS		
Selecciones	Apagado	Desactiva SRS FOCUS®
	Encendido	Activa SRS FOCUS® Desplaza la dirección aparente del sonido hacia arriba para un sonido definido más claro

SRS		
Selecciones	Apagado	Desactiva SRS®
	Encendido	Activa SRS® Reproduce un sonido tridimensional altamente efectivo

SRS TruBass		
Selecciones	Apagado	Desactiva SRS TruBass®
	Encendido	Activa SRS TruBass® Proporciona graves profundos y ricos utilizando una nueva tecnología

- 6 Pulse **HOME MENU** para salir del menú.

Nota

-  (WOW) indica un estado donde SRS FOCUS®, SRS® y SRS TruBass® están activados.
- No es posible ajustar el efecto de sonido para la escucha con auriculares.
- Si cambia el efecto de sonido con los auriculares conectados, las nuevas configuraciones entrarán en efecto tan pronto desconecte los auriculares.
- El efecto de esta función difiere dependiendo de las señales.

Control de la alimentación

El control de la alimentación ofrece funciones convenientes para el ahorro de energía.

Ahorro de energía

Puede utilizar uno de los modos de ahorro de energía para ahorrar el consumo de energía.

- 1 Pulse **HOME MENU**.
- 2 Seleccione **"Control de la alimentación"** (↑/↓ y, a continuación, ENTER).
- 3 Seleccione **"Ahorro de energía"** (↑/↓ y, a continuación, ENTER).
- 4 Seleccione **"Modo 1", "Modo 2" o "Desactivar imagen"** (↑/↓ y, a continuación, ENTER).

Ítem	Descripción
Apagado	No reduce el brillo de la imagen
Modo 1	Baja ligeramente el consumo de energía mientras suprime ligeramente el nivel de reducción del brillo
Modo 2	Reduce el brillo de la imagen y disminuye el consumo de energía
Desactivar imagen	Desactiva la pantalla para ahorrar energía. Para restaurar la visualización de la pantalla, pulse cualquier botón que no sea VOL +/- y MUTING . Esta configuración no se memoriza por el sistema.

- 5 Pulse **HOME MENU** para salir del menú.

Nota

- Cuando cambie el modo de ahorro de energía, puede notar un cambio en el sonido del panel. Esto es normal.
- La función de ahorro de energía mantiene la eficiencia de la pantalla por un largo período de tiempo disminuyendo el brillo de la imagen y reduciendo el consumo de energía. Se recomienda ajustar la función de ahorro de energía al "Modo 1" para mejorar la eficiencia.

Apagado: sin señal (fuente de AV solamente)

El sistema entra automáticamente en el modo de espera cuando no se recibe ninguna señal durante 15 minutos.

- 1 Pulse **HOME MENU**.
- 2 Seleccione **"Control de la alimentación"** (↑/↓ y, a continuación, ENTER).
- 3 Seleccione **"Apagado: sin señal"** (↑/↓ y, a continuación, ENTER).
- 4 Seleccione **"Activar"** (↑/↓ y, a continuación, ENTER).

Ítem	Descripción
Desactivar (selección predeterminada)	No coloca el sistema en el modo de espera
Activar	Coloca el sistema en el modo de espera cuando no se recibe ninguna señal durante 15 minutos

- 5 Pulse **HOME MENU** para salir del menú.

Nota

- Cinco minutos antes que el sistema entre en el modo de espera, un mensaje aparece cada minuto.
- Puede que el sistema no entre en el modo de espera cuando hay señales de ruido en la pantalla de plasma tras el fin de la transmisión de TV.

Apagado: sin operación (fuente de AV solamente)

El sistema entra automáticamente en el modo de espera cuando no se realiza ninguna operación durante tres horas.

- 1 Pulse **HOME MENU**.
- 2 Seleccione "Control de la alimentación" (↑/↓ y, a continuación, **ENTER**).
- 3 Seleccione "Apagado: sin operación" (↑/↓ y, a continuación, **ENTER**).
- 4 Seleccione "Activar" (↑/↓ y, a continuación, **ENTER**).

Ítem	Descripción
Desactivar (selección predeterminada)	No coloca el sistema en el modo de espera
Activar	Coloca el sistema en el modo de espera cuando no se realiza ninguna operación durante tres horas

- 5 Pulse **HOME MENU** para salir del menú.

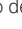
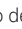
Nota

- Cinco minutos antes que el sistema entre en el modo de espera, un mensaje aparece cada minuto.

Gestión de energía (fuente de PC solamente)

El sistema entra automáticamente en el modo de espera cuando no se recibe ninguna del ordenador.

- 1 Pulse **HOME MENU**.
- 2 Seleccione "Control de la alimentación" (↑/↓ y, a continuación, **ENTER**).
- 3 Seleccione "Gestión de energía" (↑/↓ y, a continuación, **ENTER**).
- 4 Seleccione "Modo 1" o "Modo 2" (↑/↓ y, a continuación, **ENTER**).

Ítem	Descripción
Apagado (selección predeterminada)	Sin gestión de alimentación
Modo 1	<ul style="list-style-type: none"> • Coloca el sistema en el modo de espera cuando no se recibe ninguna de la computadora durante ocho minutos. • Aun cuando comience a utilizar la computadora y se reciba una señal nuevamente, el sistema permanece apagado. • El sistema se enciende de nuevo mediante la pulsación de STANDBY/ON en la pantalla de plasma o de TV  en el mando a distancia.
Modo 2	<ul style="list-style-type: none"> • Coloca el sistema en el modo de espera cuando no se recibe una señal durante ocho segundos. • Cuando comience a utilizar la computadora y se introduce una señal nuevamente, el sistema se enciende. • El sistema se enciende de nuevo mediante la pulsación de STANDBY/ON en la pantalla de plasma o de TV  en el mando a distancia.

- 5 Pulse **HOME MENU** para salir del menú.

Nota

- No se puede seleccionar esta función cuando un PC está conectado al terminal HDMI.

Temporizador de apagado

Cuando el tiempo seleccionado transcurre, el temporizador de apagado coloca el sistema en el modo de espera automáticamente.

- 1 Pulse **HOME MENU**.
- 2 Seleccione "Temporizador de apagado" (↑/↓ y, a continuación, **ENTER**).
- 3 Seleccione el tiempo deseado (↑/↓ y, a continuación, **ENTER**).

Seleccione entre "Apagado" (cancelar), "30 min", "60 min", "90 min" y "120 min".

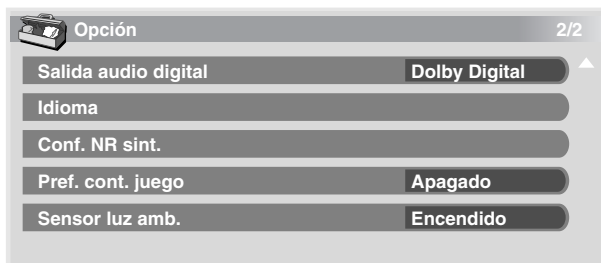
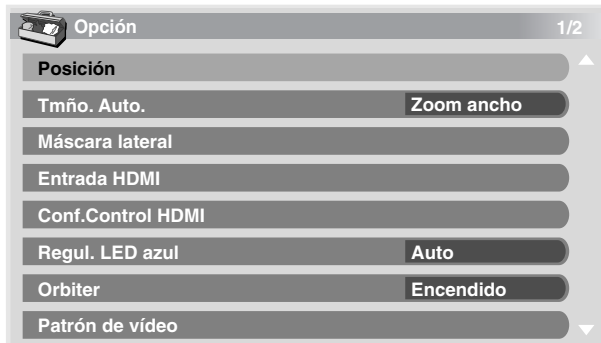
- 4 Pulse **HOME MENU** para salir del menú.

Nota

- Cinco minutos antes que transcurra el tiempo seleccionado, el tiempo restante aparece cada minuto.
- Para comprobar el tiempo restante, realice los pasos 1 y 2. Después de comprobar el tiempo, pulse **HOME MENU** para restaurar la visualización anterior.
- Cuando se configura el temporizador de apagado, el indicador **SLEEP** se enciende en naranja en la parte frontal de la pantalla de plasma.

Acerca de los menús "Opción"

El menú "Opción" consiste en dos pantallas. Para seleccionar el menú deseado, pulse \uparrow/\downarrow repetidamente para cambiar entre Pantalla 1 y Pantalla 2. El número de la pantalla actual aparece en la esquina superior derecha de la pantalla.

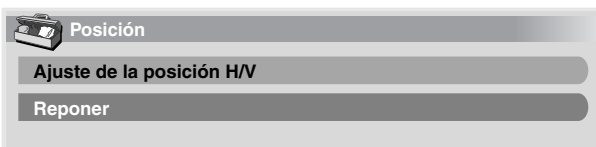


(Para fuente de AV)

Ajuste de las posiciones de imagen (fuente de AV solamente)

Ajusta las posiciones horizontal y vertical de las imágenes en la pantalla de plasma.

- 1 Pulse HOME MENU.
- 2 Seleccione "Opción" (\uparrow/\downarrow y, a continuación, ENTER).
- 3 Seleccione "Posición" (\uparrow/\downarrow y, a continuación, ENTER).
- 4 Seleccione "Ajuste de la posición H/V" (\uparrow/\downarrow y, a continuación, ENTER).



- 5 Ajuste la posición vertical (\uparrow/\downarrow) o la posición horizontal (\leftarrow/\rightarrow).
- 6 Pulse HOME MENU para salir del menú.

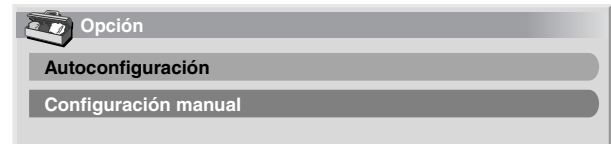
Nota

- Para restaurar los valores predeterminados de fábrica para todos los ítems, pulse \uparrow/\downarrow para seleccionar "Reponer" en el paso 4 y, a continuación, pulse ENTER. Aparecerá una pantalla de confirmación. Pulse \leftarrow/\rightarrow para seleccionar "Sí" y, a continuación, pulse ENTER.
- Los ajustes se memorizan separadamente de acuerdo con la fuente de entrada.
- Dependiendo del vídeo que se visualice, puede que la posición de la imagen no cambie aún después del ajuste.
- Cuando se selecciona "Punto a punto" para el modo de pantalla, el menú "Posición" se oscurece.

Ajustes automáticos de las posiciones de imagen y reloj (fuente PC solamente)

Utilice la configuración automática para ajustar automáticamente las posiciones y reloj de las imágenes a partir de una computadora.

- 1 Pulse HOME MENU.
- 2 Seleccione "Opción" (\uparrow/\downarrow y, a continuación, ENTER).
- 3 Seleccione "Autoconfiguración" (\uparrow/\downarrow y, a continuación, ENTER).



- La autoconfiguración comienza.

- 4 Pulse HOME MENU para salir del menú.

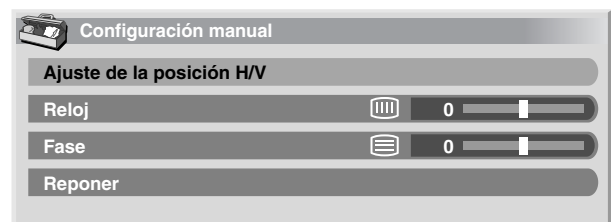
Nota

- Una vez que se finalice la configuración automática, se visualiza "Ajuste automático completado".
- Aunque aparezca "Ajuste automático completado.", puede que la configuración automática tenga fallado, dependiendo de las condiciones.
- La configuración automática puede fallar con una imagen de PC compuesta por patrones similares o en monocromo. En caso de falla, cambie la imagen de PC e intente de nuevo.
- Asegúrese de conectar la computadora a la pantalla de plasma y de encenderla antes de iniciar la configuración automática.
- Dependiendo del vídeo que se visualice, puede que la posición de la imagen no cambie aún después del ajuste.
- No se puede seleccionar esta función cuando un PC está conectado al terminal HDMI.

Ajustes manuales de las posiciones de imagen y reloj (fuente PC solamente)

Usualmente, puede ajustar fácilmente las posiciones y reloj de las imágenes utilizando la configuración automática. Utilice la configuración manual para optimizar las posiciones y reloj de las imágenes cuando sea necesario.

- 1 Pulse HOME MENU.
- 2 Seleccione "Opción" (\uparrow/\downarrow y, a continuación, ENTER).
- 3 Seleccione "Configuración manual" (\uparrow/\downarrow y, a continuación, ENTER).
- 4 Seleccione el elemento que desee ajustar (\uparrow/\downarrow y, a continuación, ENTER).



- 5 Realice el ajuste (\leftarrow/\rightarrow o \uparrow/\downarrow).
 - Con "Reloj" o "Fase" seleccionado, puede cambiar el parámetro utilizando \leftarrow/\rightarrow .
- 6 Pulse HOME MENU para salir del menú.

Nota

- Para restaurar los valores predeterminados de fábrica para todos los ítems, pulse **▲/▼** para seleccionar "Reponer" en el paso 4 y, a continuación, pulse **ENTER**. Aparecerá una pantalla de confirmación. Pulse **←/→** para seleccionar "Sí" y, a continuación, pulse **ENTER**.
- No se puede seleccionar esta función cuando un PC está conectado al terminal HDMI.

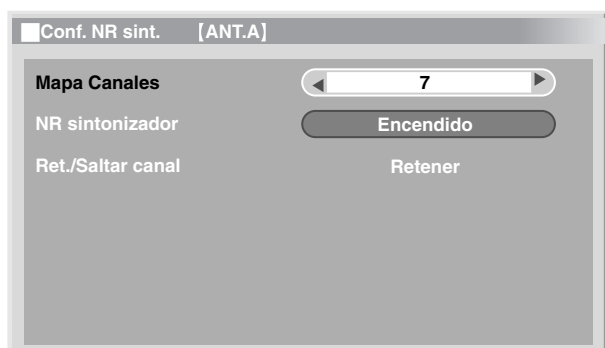
Reducción de ruido de vídeo

Para los canales de TV analógicos individuales, puede especificar si la pantalla de plasma debe reducir el ruido de vídeo dependiendo de los niveles de las señales de transmisión.

- 1 Pulse **HOME MENU**.
- 2 Seleccione "Opción" (**▲/▼** y, a continuación, **ENTER**).
- 3 Seleccione "Conf. NR sint." (**▲/▼** y, a continuación, **ENTER**).
- 4 Seleccione "Mapa Canales" (**▲/▼**).

Sólo puede seleccionar los canales analógicos configurados por el preajuste automático de los canales o POD.

- 5 Seleccione "NR sintonizador" (**▲/▼**).
- 6 Seleccione "Encendido" (**←/→**).



Ítem	Descripción
Encendido (selección predeterminada)	Activa el sistema RN de sintonizador
Apagado	Desactiva el sistema RN de sintonizador

- 7 Pulse **HOME MENU** para salir del menú.

Nota

- Sólo se puede seleccionar esta función cuando se reciben señales a través de ANT. A o ANT. B.
- No se puede seleccionar el menú "Ret./Saltar canal". Se visualiza "Retener" o "Saltar" cuando se cambia la configuración en "Mapa Canales".
- Puede que esta función no obtenga un resultado satisfactorio, dependiendo de las condiciones de las señales de transmisión.

Selección de un modo de juego

Cuando esté jugando un juego, puede utilizar esta función para establecer una preferencia para la calidad de imagen y operabilidad.

- 1 Pulse **HOME MENU**.
- 2 Seleccione "Opción" (**▲/▼** y, a continuación, **ENTER**).
- 3 Seleccione "Pref. cont. juego" (**▲/▼** y, a continuación, **ENTER**).

- 4 Seleccione "Encendido" o "Apagado" (**▲/▼** y, a continuación, **ENTER**).

Ítem	Descripción
Encendido	Establece una preferencia para la operabilidad
Apagado	Establece una preferencia para la calidad de imagen

- 5 Pulse **HOME MENU** para salir del menú.

Nota

- El ítem "Pref. cont. juego" sólo está disponible cuando se utiliza una entrada externa (excepto una fuente de PC) y "JUEGO" está seleccionado en "Selección AV".
- Las opciones de "Pref. cont. juego" no están efectivas cuando se reciben señales de PC (cuando un menú de fuente de PC está visualizado en la pantalla).
- La configuración "Encendido" no está efectiva cuando se congelan imágenes o en el modo de multipantalla.

Selección manual de un tamaño de pantalla

En el modo de pantalla simple, pulse **SCREEN SIZE** para cambiar el tamaño de la pantalla entre las opciones disponibles para el tipo de señales de vídeo que estén siendo recibidas actualmente.

- Los tamaños de pantalla disponibles difieren dependiendo de los tipos de señales de vídeo.

Fuente de AV

Ítem	Descripción
4:3	Para imágenes "estándar" 4:3. Una barra lateral aparece en cada lado
PANORÁMICA	En este modo, las imágenes se alargan progresivamente hacia cada lado de la pantalla
COMPLETA	Para imágenes anamórficas 16:9
Punto a punto	Adapta las señales de entrada al mismo número de píxeles de la pantalla (seleccionable solamente para las señales 1080i ó 1080p)
ZOOM	Para imágenes tipo buzón 16:9. Puede que aparezcan barras en las partes superior e inferior con algunos programas
CINE	Para imágenes tipo buzón 14:9. Puede que aparezcan barras en las partes superior e inferior con algunos programas

Fuente de PC

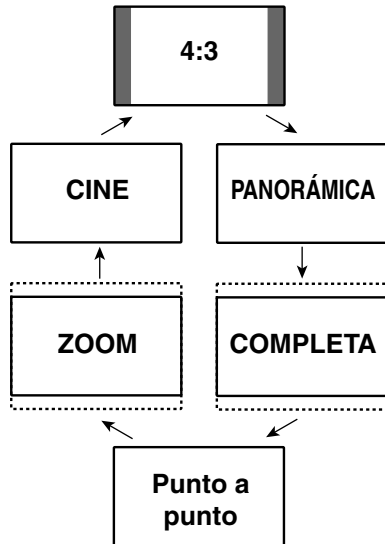
Ítem	Descripción
4:3	Rellena la pantalla sin cambiar la relación de aspecto de las señales de entrada
COMPLETA	Visualización de pantalla completa 16:9

Nota

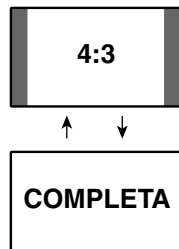
- Mientras ve un programa de TV de alta definición, pulsar **SCREEN SIZE** cambia entre COMPLETA, Punto a punto, ZOOM, PANORÁMICA y 4:3.
- Si ve la transmisión de TV de alta definición con la opción PANORÁMICA seleccionada, puede que parte de la pantalla (por ejemplo, imágenes, interfaz gráfica) no aparezca en la pantalla. En este caso, seleccione COMPLETA.
- Algunas emisiones HD pueden visualizar el contenido 4:3 con máscaras laterales, lo que puede causar un desgaste irregular. Tras la contemplación, se recomienda ver vídeo de movimiento en pantalla completa (consulte *Detección de máscaras laterales* en la página 68).

- Los tamaños de pantalla seleccionables difieren dependiendo de las condiciones.
- Puede cambiar libremente el tamaño de la pantalla mientras contempla emisiones HD o disfruta de otras fuentes de entrada HD. Sin embargo, cuando reanude los programas HD después de cerrarlos una vez, se selecciona "COMPLETA" automáticamente para el tamaño de la pantalla.
- No se recomienda visualizar consistentemente señales que no llenan la pantalla completamente. Esto puede causar una retención de imagen temporal o permanente dependiendo de la frecuencia y duración.

Fuente de AV



Fuente de PC



Selección automática de un tamaño de pantalla

La pantalla de plasma selecciona automáticamente un tamaño de pantalla apropiado cuando se reciben las señales de vídeo de un equipo HDMI conectado (consulte la página 71). Para activar esta función, utilice el procedimiento siguiente.

- 1 Pulse HOME MENU.
- 2 Seleccione "Opción" (↑/↓ y, a continuación, ENTER).
- 3 Seleccione "Tmño. Auto." (↑/↓ y, a continuación, ENTER).
- 4 Seleccione "Natural" o "Zoom ancho" (↑/↓ y, a continuación, ENTER).

Ítem	Descripción
Apagado	Desactiva la función de tamaño automático
Natural	Ajusta la imagen naturalmente a la pantalla
Zoom ancho	Amplía y visualiza solamente la porción de relación de aspecto 4:3 en una pantalla completa y ancha

- 5 Pulse HOME MENU para salir del menú.

Nota

- Seleccione manualmente un tamaño de pantalla apropiado si una imagen no cambia automáticamente a un formato de pantalla correcto.
- Cuando la señal de vídeo no contiene información de relación de aspecto, la función no funcionará aunque "Natural" o "Zoom ancho" esté seleccionado.

Detección de máscaras laterales

Puede que algunas emisiones HD visualicen el contenido de 4:3 con máscaras laterales. La pantalla de plasma detecta automáticamente esas máscaras laterales para proveer máscaras laterales grises cuando se ha seleccionado "Natural" para "Tmño. Auto.", o visualizar la pantalla completa sin máscaras laterales cuando se ha seleccionado "Zoom ancho". Esta función no funciona cuando se ha seleccionado "Apagado" para "Tmño. Auto."

- 1 Pulse HOME MENU.
- 2 Seleccione "Opción" (↑/↓ y, a continuación, ENTER).
- 3 Seleccione "Máscara lateral" (↑/↓ y, a continuación, ENTER).
- 4 Seleccione "Detección" (↑/↓).
- 5 Seleccione "Encendido" (←/→).

Ítem	Descripción
Apagado	Desactiva la detección de máscaras laterales
Encendido	Activa la detección de máscaras laterales

- 6 Pulse HOME MENU para salir del menú.

Importante

- La configuración "Encendido" impide el desgaste irregular en contenidos de 4:3 y de máscaras laterales, y puede reducir la posibilidad de retención de la imagen.

Nota

- No es posible cambiar la detección de máscaras laterales a "Encendido" o "Apagado" cuando "Apagado" está seleccionado en "Tmño. Auto."
- Ajuste la función de detección de máscara lateral a "Encendido". Las imágenes de alta definición con relación de aspecto de 16:9 contienen máscaras laterales que se detectan y se añaden automáticamente o la imagen se visualizará en pantalla completa.
- La detección de máscaras laterales no funciona en el contenido de 4:3 visualizado en las emisiones SD (definición estándar).
- "Auto" aparecerá en la visualización de canal cuando esta función está activada.
- Puede que ocurran errores de detección dependiendo del contenido de HD. Si ocurre un error de detección, cambie manualmente el tamaño de pantalla al tamaño deseado.
- Puede que la detección de las máscaras laterales no funcione correctamente para las señales de vídeo que no contienen la información de relación de aspecto. En este caso, compruebe que "COMPLETA" esté seleccionado para el tamaño de la pantalla, cambie a otra fuente de entrada y, a continuación, cambie nuevamente a la fuente de entrada original.

Cambio del brillo en ambos lados de la pantalla (Máscara lateral)

Con el tamaño de pantalla 4:3, puede cambiar el brillo de las máscaras laterales grises que aparecen en ambos lados de la pantalla.

- 1 Pulse HOME MENU.
- 2 Seleccione "Opción" (↑/↓ y, a continuación, ENTER).
- 3 Seleccione "Máscara lateral" (↑/↓ y, a continuación, ENTER).
- 4 Seleccione "Brillo sinc." (↑/↓).
- 5 Seleccione el parámetro deseado (←/→).

Ítem	Descripción
Fija (Selección predeterminada)	Ajusta siempre el mismo brillo para las máscaras laterales grises
Auto	Ajusta el brillo de las máscaras laterales grises de acuerdo con el brillo de las imágenes

Importante

- La configuración "Auto" ajusta el brillo de las máscaras laterales de acuerdo con el brillo de la pantalla y puede reducir la posibilidad de retención de la imagen.

6 Pulse HOME MENU para salir del menú.

Sensor de luz de la habitación

Esta función ajusta automáticamente el brillo del panel de visualización de acuerdo con el nivel del brillo del área de visualización. Para los detalles, utilice el siguiente procedimiento.

- 1 Pulse HOME MENU.
- 2 Seleccione "Opción" (↕ y, a continuación, ENTER).
- 3 Seleccione "Sensor luz amb." (↕ y, a continuación, ENTER).
- 4 Seleccione "Encendido" o "Apagado" (↕ y, a continuación, ENTER).

Ítem	Descripción
Encendido	Activa la función Sensor luz amb.
Apagado	Desactiva la función Sensor luz amb.

5 Pulse HOME MENU para salir del menú.

Nota

- Esta función se desactiva cuando se selecciona "ÓPTIMO" en el menú "Selección AV".
- Esta función no está disponible cuando se reciben señales de PC.
- Como la función ÓPTIMO optimiza la calidad de la imagen automáticamente, puede verse en la pantalla el proceso en el cual las configuraciones de imagen cambian gradualmente, tales como brillo y matiz. Esto no es un fallo de funcionamiento.

Regulación del LED azul

Puede ajustar el brillo del indicador POWER ON dependiendo del nivel del brillo del área de visualización. Cuando "Auto" está seleccionado, el brillo del indicador cambia a "Alto", "Medio" o "Bajo" de acuerdo con el nivel del brillo del área de visualización.

- 1 Pulse HOME MENU.
- 2 Seleccione "Opción" (↕ y, a continuación, ENTER).
- 3 Seleccione "Regul. LED azul" (↕ y, a continuación, ENTER).
- 4 Seleccione "Auto", "Alto", "Medio" o "Bajo" (↕ y, a continuación, ENTER).
- 5 Pulse HOME MENU para salir del menú.

Orbiter

Esta función desplaza automáticamente la imagen poco a poco.

- 1 Pulse HOME MENU.
- 2 Seleccione "Opción" (↕ y, a continuación, ENTER).
- 3 Seleccione "Orbiter" (↕ y, a continuación, ENTER).

4 Seleccione "Modo 1" o "Modo 2" (↕ y, a continuación, ENTER).

Ítem	Descripción
Apagado	Desactiva el Orbiter
Modo 1	Activa la función de protección de la pantalla para cualquier modo de pantalla que no sea "Punto a Punto"
Modo 2	Activa la función de protección de la pantalla para todos los modos de pantalla disponibles

5 Pulse HOME MENU para salir del menú.

- Para cancelar esta función, seleccione "Apagado" en el paso 4.

Nota

- Para el modo Punto a Punto, consulte "Selección manual de un tamaño de pantalla" en la página 67.
- Esta función no funciona cuando se reciben señales de PC.

Patrón de vídeo

Puede visualizar la pantalla de patrón de vídeo que también ayuda a atenuar la imagen remanente cuando la misma ocurre.

- 1 Pulse HOME MENU.
- 2 Seleccione "Opción" (↕ y, a continuación, ENTER).
- 3 Seleccione "Patrón de vídeo" (↕ y, a continuación, ENTER).

Aparecerá una pantalla de confirmación.

4 Seleccione "Iniciar" (ENTER).

La pantalla de patrón de vídeo aparece.

Nota

- El sistema entra automáticamente en el modo de espera una hora después del apareamiento de la pantalla de patrón de vídeo.
- Mientras la pantalla de patrón de vídeo está activada, ningún botón funciona, excepto el botón TV en el mando a distancia, y los botones STANDBY/ON y en la pantalla de plasma.
- Para cancelar la pantalla de patrón de vídeo, pulse TV en el mando a distancia, pulse STANDBY/ON o (o deslice hacia arriba) en la pantalla de plasma.
- El temporizador del patrón de vídeo tiene prioridad sobre el temporizador de apagado. Cuando el temporizador de patrón de vídeo está activado, el temporizador de apagado se pone inefectivo.

Configuración del idioma

Puede seleccionar un idioma que se utilizará para la visualización en la pantalla como, por ejemplo, para los menús, entre tres idiomas: Inglés, Francés y Español.

- 1 Pulse HOME MENU.
- 2 Seleccione "Opción" (↕ y, a continuación, ENTER).
- 3 Seleccione "Idioma" (↕ y, a continuación, ENTER).
- 4 Seleccione un idioma (←/→).



5 Pulse HOME MENU para salir del menú.

Capítulo 12

Utilización de un equipo externo

Sobre los equipos externos

Puede conectar muchos tipos de equipos externos a su pantalla de plasma como, por ejemplo, un reproductor DVD, videograbadora, computadora, consola de videojuegos y videocámara.

Para visualizar imágenes de un equipo externo, seleccione la fuente de entrada apropiada utilizando los botones **INPUT 1** a **INPUT 7** del mando a distancia o el botón **INPUT** de la pantalla de plasma.

Precaución

- Para proteger todos los equipos, desenchufe siempre la pantalla de plasma de la toma de corriente antes de conectar un reproductor DVD, videograbadora, computadora, consola de videojuegos, videocámara u otro equipo externo.

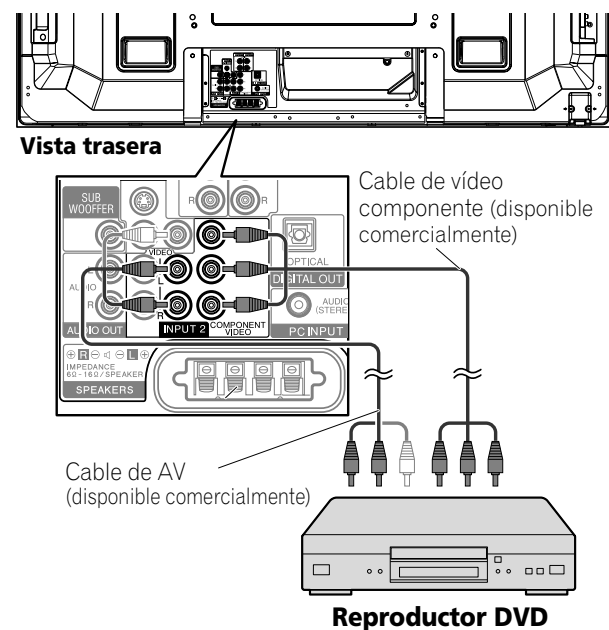
Nota

- Consulte el manual de instrucciones pertinente (reproductor DVD, computadora, etc.) atentamente antes de hacer las conexiones.

Visualización de la imagen de un DVD

Conexión de un reproductor DVD

Utilice el terminal **INPUT 2** para conectar un reproductor DVD u otro equipo audiovisual.



Visualización de la imagen de un DVD

Para ver un DVD, pulse **INPUT 2** en el mando a distancia o pulse **INPUT** en la pantalla de plasma para seleccionar "ENTRADA 2".

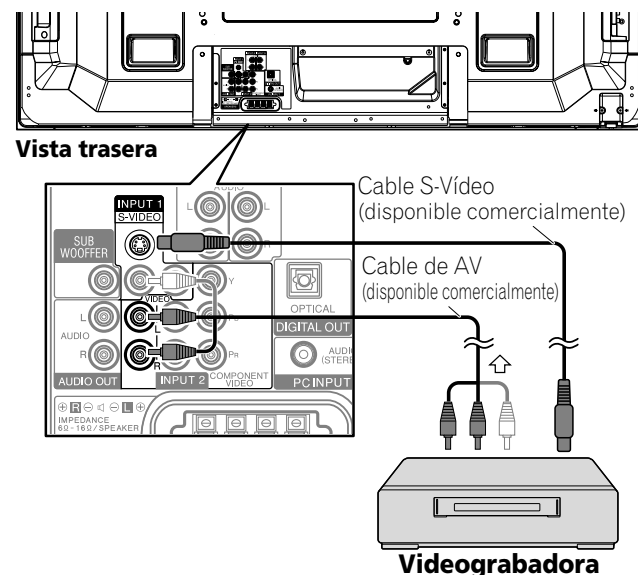
Nota

- Consulte el manual de instrucciones de su reproductor DVD para el tipo de señal.
- Los terminales **INPUT 2** se verifican para conexiones en el orden siguiente: 1) Vídeo componente, 2) S-Vídeo, 3) Vídeo. Utilice la conexión deseada.
- Conecte un equipo externo sólo a los terminales que realmente se utilizarán.

Visualización de la imagen de una videograbadora

Conexión de una videograbadora

Utilice los terminales **INPUT 1** para conectar una videograbadora u otro equipo audiovisual.



Visualización de la imagen de una videograbadora

Para ver la imagen de una videograbadora, pulse **INPUT 1** en el mando a distancia o pulse **INPUT** en la pantalla de plasma para seleccionar "ENTRADA 1".

Nota

- Los terminales **INPUT 1** se verifican para conexiones en el orden siguiente: 1) S-Vídeo, 2) Vídeo. Utilice la conexión deseada.
- Conecte un equipo externo sólo a los terminales que realmente se utilizarán.

Utilización de la entrada HDMI

Los terminales INPUT 4, INPUT 5, INPUT 6 y INPUT 7 son los terminales HDMI a los cuales pueden introducirse señales digitales de audio y vídeo. Para utilizar el terminal HDMI, especifique los tipos de señales de audio y vídeo que se van recibir desde el equipo conectado. Para los tipos de señales, consulte el manual de instrucciones que acompaña el equipo conectado.

Antes de iniciar el menú, pulse **INPUT 4**, **INPUT 5**, **INPUT 6**, **INPUT 7** en el mando a distancia o pulse **INPUT** en la pantalla de plasma para seleccionar ENTRADA 4, ENTRADA 5, ENTRADA 6 ó ENTRADA 7.

Señales de vídeo soportadas

720 (1440) x 480i@59,94 Hz/60 Hz

720 x 480p@59,94 Hz/60 Hz

1280 x 720p@59,94 Hz/60 Hz

1920 x 1080i@59,94 Hz/60 Hz

1920 x 1080p@24 Hz

1920 x 1080p@60 Hz

Señales de PC soportadas

640 x 480 (VGA) 60 Hz

800 x 600 (SVGA) 60 Hz

1024 x 768 (XGA) 60 Hz

1360 x 768 (XGA ancho) 60 Hz

1280 x 1024 (SXGA) 60 Hz

Para audio, el sistema soporta lo siguiente:

- Linear PCM (STEREO 2ch)
- Frecuencia de muestreo: 32 kHz, 44,1 kHz, 48 kHz

Soporte de Control HDMI

La pantalla de plasma soporta las funciones de control HDMI. Mediante la conexión de dispositivos que soportan las funciones de control HDMI a la pantalla de plasma, puede controlar los dispositivos conectados desde la pantalla de plasma o desde el mando a distancia de la pantalla de plasma. Consulte "Utilización del Control HDMI" en el Capítulo 13.

Soporte de color profunda

Color profunda significa la profundidad de color que describe el número de bits utilizados para representar el color de un único píxel en una imagen en mapa de bits. Además de las señales RGB/YCbCr16 bit/20 bit/24 bit convencionales, la pantalla de plasma también soporta las señales RGB/YCbCr30 bit/36 bit. Esto permite una reproducción de color más refinada y detallada cuando se conecta un dispositivo que soporta señales de color profunda (HDMI1.3) a la pantalla de plasma. Cuando se reciben señales de color profunda, la profundidad de color aparece en la visualización de canal.

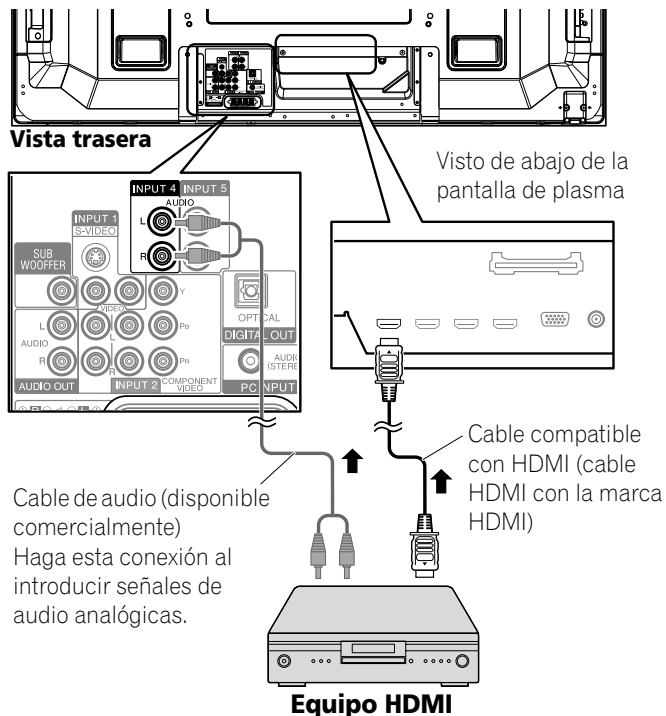
Nota

- Puede que lleve algún tiempo hasta que se visualice la imagen dependiendo del equipo conectado.
- Cuando conecte un PC al terminal HDMI, utilice un PC o tarjeta de vídeo compatible con HDMI.

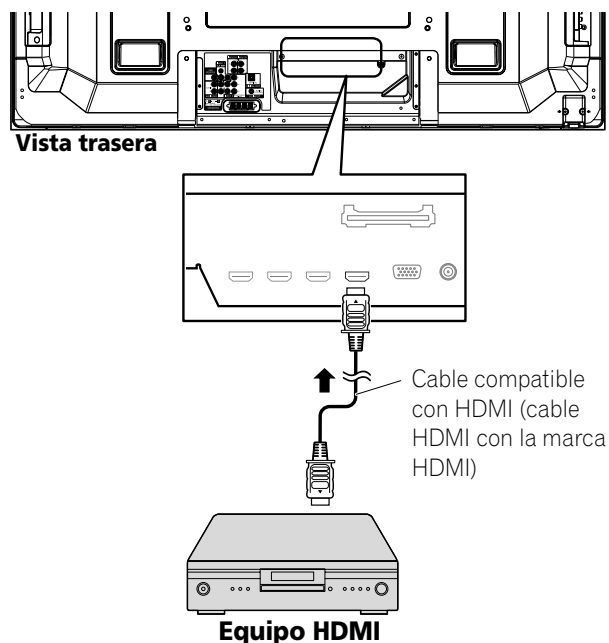
- Cuando conecte un PC al terminal HDMI utilizando un terminal de salida DVI, puede que la pantalla de plasma no visualice la imagen adecuadamente. En tal caso, consulte el fabricante de su PC.
- Puede que la imagen y/o sonido de PC no se visualice o no se oiga adecuadamente dependiendo del PC que se utilice.

Conexión de un equipo HDMI

Cuando utilice el terminal INPUT 4:



Cuando utilice el terminal INPUT 7:



Para especificar el tipo de señales de entrada

- 1 Pulse HOME MENU.
- 2 Seleccione "Opción" (↑/↓ y, a continuación, ENTER).
- 3 Seleccione "Entrada HDMI" (↑/↓ y, a continuación, ENTER).
- 4 Seleccione "Tipo señal" (↑/↓ y, a continuación, ENTER).
- 5 Seleccione "Vídeo" o "PC" (↑/↓ y, a continuación, ENTER).

Ítem	Descripción
Vídeo (selección predeterminada)	Seleccione esta opción excepto cuando un PC está conectado
PC	Seleccione esta opción cuando un PC está conectado al terminal de entrada HDMI

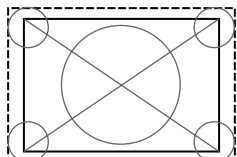
- 6 Pulse HOME MENU para salir del menú.

Precaución

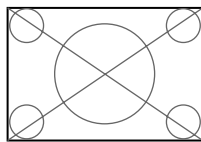
- Asegúrese de seleccionar "PC" cuando un PC esté conectado al terminal de entrada HDMI.

Nota

- En el modo "Vídeo", la imagen se "se redimensiona" (se amplía), y el modo cambia automáticamente a "PC" cuando se reciben señales de PC.
- En el modo "PC", la imagen se visualiza en tamaño completo para una óptima calidad de la imagen.



cuando "Vídeo" está seleccionado (pantalla de tamaño "redimensionado con bordes")



cuando "PC" está seleccionado (pantalla de tamaño "redimensionado sin bordes")

Para especificar el tipo de señales de vídeo digitales

- 1 Pulse HOME MENU.
- 2 Seleccione "Opción" (↑/↓ y, a continuación, ENTER).
- 3 Seleccione "Entrada HDMI" (↑/↓ y, a continuación, ENTER).
- 4 Seleccione "Vídeo" (↑/↓ y, a continuación, ENTER).
- 5 Seleccione el tipo de señales de vídeo de entrada (↑/↓ y, a continuación, ENTER).

- Si se selecciona "Auto", se hará un intento para identificar el tipo de señales de vídeo digitales cuando se reciben las señales de vídeo digitales.

Ítem	Descripción
Auto (selección predeterminada)	Identifica automáticamente las señales de vídeo digitales
Color-1	Señales de vídeo componente digitales (4:2:2) bloqueadas
Color-2	Señales de vídeo componente digitales (4:4:4) bloqueadas
Color-3	Señales RGB digitales (16 a 235) bloqueadas
Color-4	Señales RGB digitales (0 a 255) bloqueadas

- 6 Pulse HOME MENU para salir del menú.

Nota

- Si selecciona un parámetro diferente de "Auto", haga un ajuste que produzca un color natural.
- Si no aparece ninguna imagen, especifique otro tipo de señal de vídeo digital.
- Para el tipo de señales digitales que se debe especificar, consulte el manual de instrucciones que acompaña el equipo conectado.

Para especificar el tipo de señales de audio

Cuando utilice el terminal INPUT 4 ó INPUT 5 HDMI, seleccione el terminal para la fuente de entrada deseada y, a continuación, realice el siguiente procedimiento para especificar el tipo de señales de audio.

- 1 Pulse HOME MENU.
- 2 Seleccione "Opción" (↑/↓ y, a continuación, ENTER).
- 3 Seleccione "Entrada HDMI" (↑/↓ y, a continuación, ENTER).
- 4 Seleccione "Audio" (↑/↓ y, a continuación, ENTER).
- 5 Seleccione el tipo de señales de audio (↑/↓ y, a continuación, ENTER).

- Si se selecciona "Auto", se hará un intento para identificar el tipo de señales de audio cuando se reciben las señales de audio.

Ítem	Descripción
Auto (selección predeterminada)	Identifica automáticamente las señales de audio introducidas
Digital	Acepta las señales de audio digitales
Analógico	Acepta las señales de audio analógicas

- 6 Pulse HOME MENU para salir del menú.

Nota

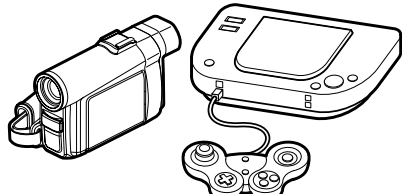
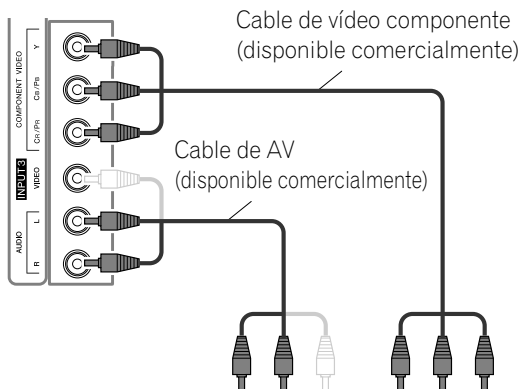
- Si no se genera ningún sonido, especifique otro tipo de señales de audio.
- Para los tipos de señales de audio que se deben especificar, consulte el manual de instrucciones que acompaña el equipo conectado.
- Dependiendo del equipo que se va a conectar, también necesita conectar cables de audio analógicos.

Reproducción con consola de videojuegos o videocámara

Conexión de una consola de videojuegos o una videocámara

Utilice los terminales INPUT 3 para conectar una consola de videojuegos, videocámara u otro equipo audiovisual.

Pantalla de plasma (vista lateral izquierda)



Videocámara/Consola de videojuegos

Visualización de la imagen de una consola de videojuegos o videocámara

Para ver la imagen de una consola de videojuegos o videocámara, pulse **INPUT 3** en el mando a distancia o pulse **INPUT** en la pantalla de plasma para seleccionar "ENTRADA 3".

Nota

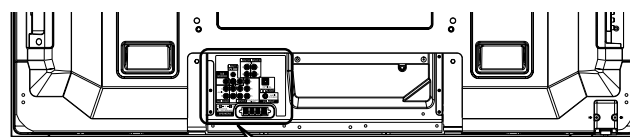
- Los terminales INPUT 3 se verifican para conexiones en el orden siguiente: 1) Vídeo componente, 2) Vídeo. Utilice la conexión deseada.
- Conecte un equipo externo sólo a los terminales que realmente se utilizarán.

Conexión de otro equipo de audio

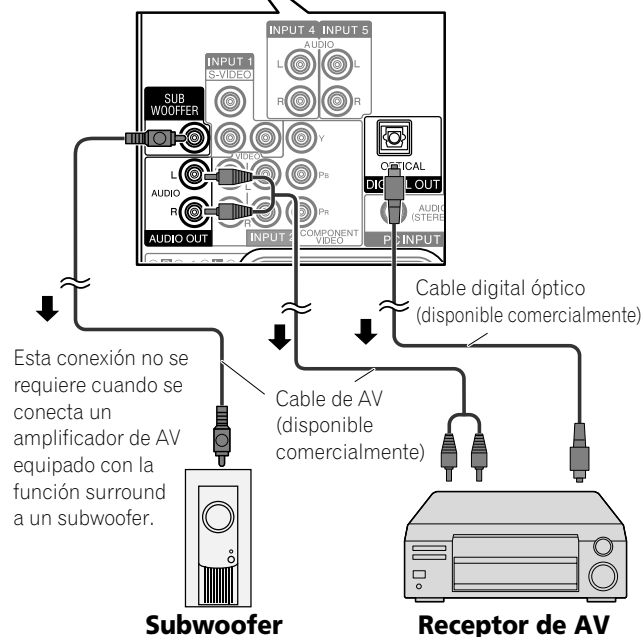
El terminal de salida de audio digital (óptico) en este sistema puede emitir señales Dolby Digital. Utilizando un cable digital óptico, conecte un receptor de AV al terminal de salida de audio digital (óptico) en la parte trasera de la pantalla de plasma. Esto permite que el audio de una emisión de TV digital se reproduzca en alta calidad.

Si su receptor de AV no tiene un terminal de entrada de audio digital (óptico), puede conectar los terminales AUDIO OUT (AUDIO) en la parte trasera de la pantalla de plasma a los terminales de entrada de audio del receptor de AV. Sin embargo, este método puede causar un retardo de audio entre los altavoces y el audio, lo que se puede reducir silenciando los altavoces de la pantalla de plasma. No obstante, puede experimentar un retardo entre audio y vídeo.

Conexión de un receptor de AV



Vista trasera



Nota

- Cuando utilice el terminal de salida de audio digital (óptico), debe hacer ajustes dependiendo de su receptor de AV. Para más información, consulte el manual de instrucciones que acompaña el receptor de AV.
- Para los detalles, consulte el manual de instrucciones del equipo de audio que se conectará.
- Las señales de audio sincronizadas con las imágenes actualmente visualizadas se generan siempre a los terminales AUDIO OUT.
- El sonido que acompaña a las imágenes mostradas en la pantalla saldrá siempre a través del terminal de salida SUBWOOFER.
- Cuando se introducen las señales de los terminales HDMI, no se emite ninguna señal desde el terminal DIGITAL OUT.

Cambio del tipo de señal de audio óptica

Configure el terminal DIGITAL OUT (OPTICAL), dependiendo de su receptor de AV.

- 1 Pulse HOME MENU.
- 2 Seleccione "Opción" (↑/↓ y, a continuación, ENTER).
- 3 Seleccione "Salida audio digital" (↑/↓ y, a continuación, ENTER).
- 4 Seleccione "Dolby Digital" o "PCM" (↑/↓ y, a continuación, ENTER).

Ítem	Descripción
Dolby Digital (selección predeterminada)	Para señales codificadas en Dolby Digital, emite en el formato Dolby Digital. Para señales codificadas en PCM, emite en el formato PCM.
PCM	Siempre emite en el formato PCM, independientemente de los tipos de señales

- 5 Pulse HOME MENU para salir del menú.

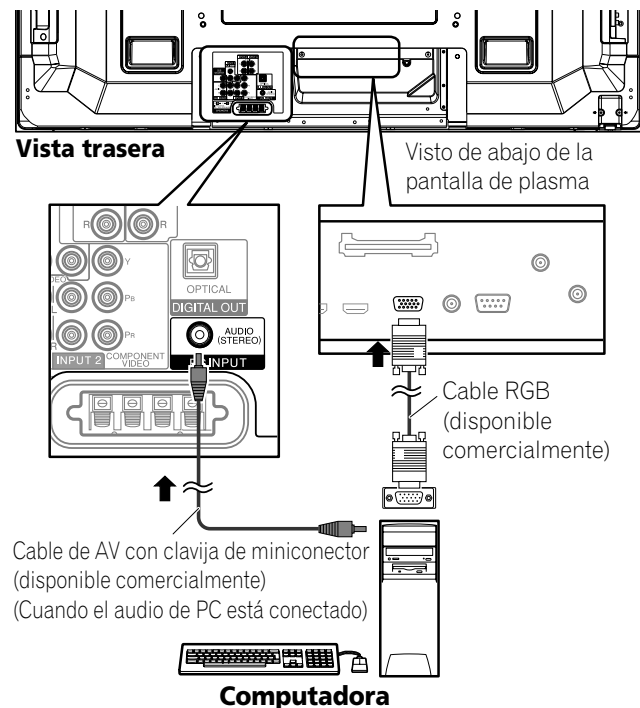
Visualización de la imagen de una computadora

Conexión de una computadora

Utilice los terminales PC para conectar una computadora.

Nota

- Los terminales de entrada de PC son compatibles con DDC2B.
- Puede que la función Plug & Play no funcione correctamente, dependiendo de la computadora en uso.



Visualización de la imagen de una computadora

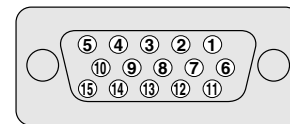
Cuando conectado a una computadora, el tipo de señal de entrada se detecta automáticamente. Si la imagen de la computadora no se visualiza claramente, puede que sea necesario utilizar la Autoconfiguración. Consulte la página 66.

Para ver la imagen de una computadora, pulse PC en el mando a distancia o pulse INPUT en la pantalla de plasma para seleccionar "PC".

Nota

- Los terminales de PC no pueden utilizarse para equipos audiovisuales.

Nombres de señales para el conector mini D-sub de 15 contactos



Nº del contacto	Nombre de la señal
1	R
2	G
3	B
4	No conectado
5	No conectado
6	GND (tierra)
7	GND (tierra)
8	GND (tierra)
9	+5 V
10	GND (tierra)
11	No conectado
12	SDA
13	HD
14	VD
15	SCL

Gráfica de compatibilidad con computadora

Resolución	Frecuencia
720 x 400	70 Hz
640 x 480 (VGA)	60 Hz
800 x 600 (SVGA)	60 Hz
1280 x 720	60 Hz
1024 x 768 (XGA)	60 Hz
1360 x 768 (XGA ancho)	60 Hz
1280 x 1024 (SXGA)	60 Hz

Conexión de los cables de control

Conecte los cables de control entre la pantalla de plasma y otro equipo Pioneer que tenga el logotipo **SR**. Luego, puede operar el equipo conectado enviando comando de su mando a distancia al sensor de mando a distancia en la pantalla de plasma.

Una vez que los terminales CONTROL IN se hayan conectado, los sensores de mando a distancia de los equipos conectados no aceptan comandos de sus mandos a distancia. Apunte los mandos a distancia al sensor de mando a distancia de la pantalla de plasma para operar los equipos conectados.

Nota

- Antes de hacer las conexiones, asegúrese de que todos los equipos estén apagados.
- Complete todas las conexiones entre los componentes antes de hacer las conexiones de los cables de control.

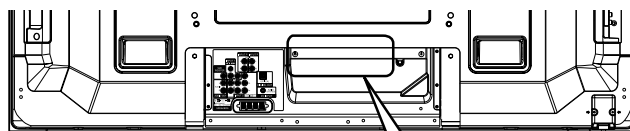
Acerca de SR+

El terminal CONTROL OUT en la parte trasera de la pantalla de plasma soporta la función **SR+**, que permite operaciones enlazadas con un receptor de AV Pioneer. La función **SR+** ofrece funciones como la operación de enlace de la conmutación de entrada y la función de visualización del modo surround DSP. Para más información, consulte el manual del usuario del receptor de AV Pioneer que soporta **SR+**.

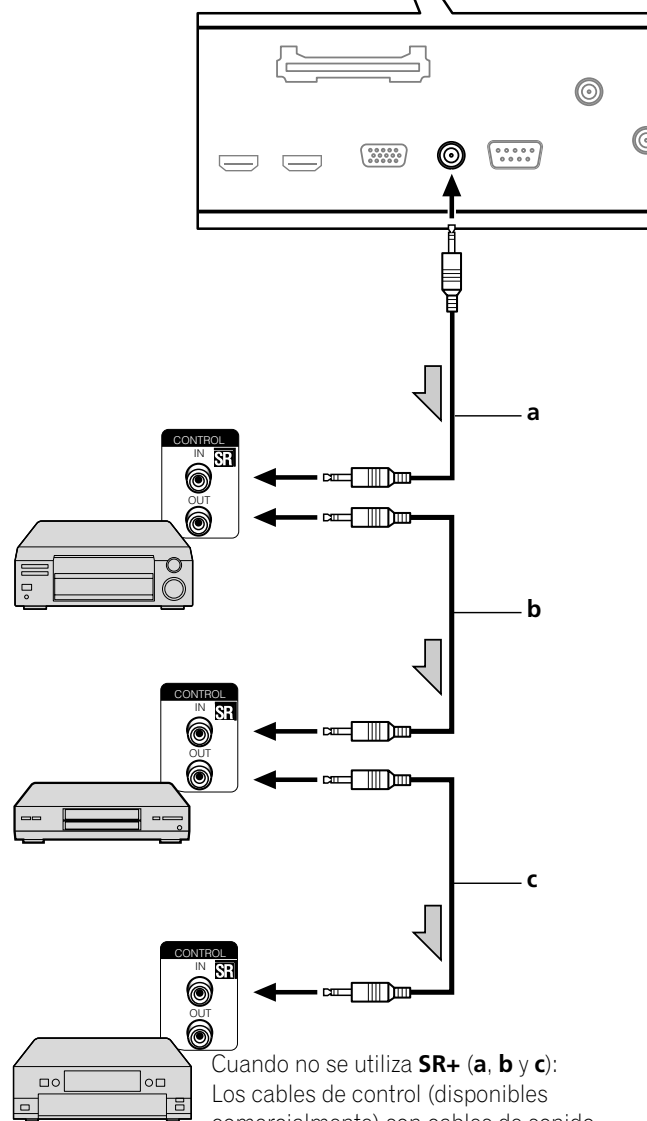
Nota

- Al hacer conexiones con cables de control, utilice el cable **SR+**.
- Al hacer conexiones con cables de control con uno o más componentes Pioneer, conecte directamente la pantalla de plasma y el amplificador Pioneer que soporta **SR+**. No conecte otros equipos entre ellos.
- Cuando el equipo conectado está siendo operado con el sistema **SR+**, el volumen de la pantalla de plasma se reduce temporalmente.

Pantalla de plasma



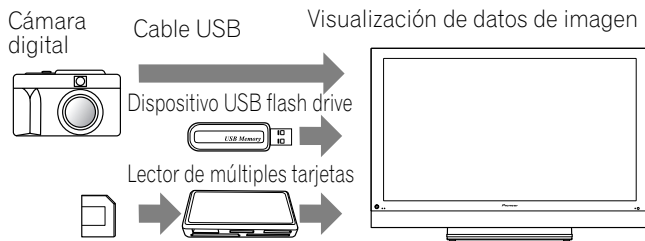
Vista trasera



Cuando no se utiliza **SR+** (a, b y c):
Los cables de control (disponibles comercialmente) son cables de sonido monofónico con clavijas de miniconector (sin resistencia).
Cuando se utiliza **SR+** (a):
Utilice el cable **SR+** (disponible como opción).

Utilización de interfaz USB (función Home Gallery)

En este sistema, puede visualizar imágenes JPEG que han sido capturadas y almacenadas en tarjetas de memoria con una cámara digital. También puede conectar su cámara digital directamente a la pantalla de plasma utilizando un cable USB.



Nota

- Sólo se puede conectar un único dispositivo USB a la vez. No se puede conectar un concentrador USB.
- No se puede conectar ni utilizar dispositivos tales como una impresora o un teclado.

Tarjetas de memoria que pueden leerse

Este sistema puede leer tarjetas de memoria en el formato FAT12, FAT16, FAT32 ó VFAT.

Archivos de datos que pueden leerse

Este sistema sólo puede leer archivos JPEG que satisfacen las condiciones siguientes:

- Las extensiones son JPG o JPEG.
- Formato JPEG 4:2:2 y 4:2:0
- La resolución de la imagen debe ser inferior a 3264 píxeles en la dirección horizontal y 2448 píxeles en la dirección vertical.
- La resolución de la imagen debe ser superior a 160 píxeles en la dirección horizontal y 120 píxeles en la dirección vertical.

Nota

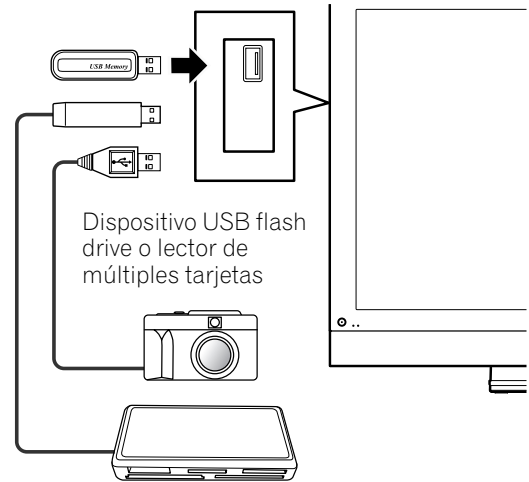
- Puede que este sistema no sea capaz de visualizar imágenes, dependiendo del tipo de su tarjeta de memoria o su cámara.
- Puede que este sistema no sea capaz de visualizar imágenes modificadas o editadas utilizando un ordenador u otro equipo.
- Este sistema cumple con la Clase de Almacenamiento Masivo USB.

Conexión a un dispositivo USB

Sostenga el conector del dispositivo USB con su lado superior hacia el panel frontal y, a continuación, insértelo en el puerto USB en el lado de la pantalla de plasma.

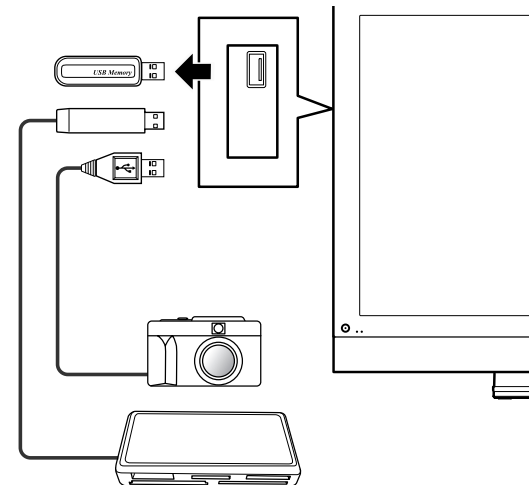
- Inserte el conector del dispositivo USB hasta donde vaya.
- Cuando utilice el conector USB de su dispositivo, conéctelo directamente al puerto USB.

Lado de la pantalla de plasma



Extracción de un dispositivo USB

Para extraer el conector de un dispositivo USB, salga de la pantalla Home Gallery y, a continuación, extráigalo.



Nota

- Para los detalles sobre los dispositivos que pueden conectarse, visite el sitio de Pioneer en la Web: <http://www.pioneerelectronics.com>
- Asegúrese de salir de la pantalla Home Gallery antes de extraer el dispositivo USB. Si extrae el dispositivo USB mientras se visualiza la pantalla Home Gallery, los datos dentro de la memoria pueden dañarse.
- No inserte ni extraiga el dispositivo USB inmediatamente después de encender o apagar el sistema. Esto causará daños a los datos en la memoria.
- No apague la cámara digital mientras la pantalla Home Gallery esté visualizada.

Visualización de una lista de dispositivos

Después de conectar un dispositivo USB, una pantalla de lista de dispositivos aparece realzando el dispositivo seleccionado.

Iniciación de la pantalla Home Gallery inicial

- 1 Pulse HOME MENU.
- 2 Seleccione "Home Gallery" (▲/▼ y, a continuación, ENTER).



- 3 Seleccione un dispositivo (▲/▼ y, a continuación, ENTER).

Selección de una carpeta

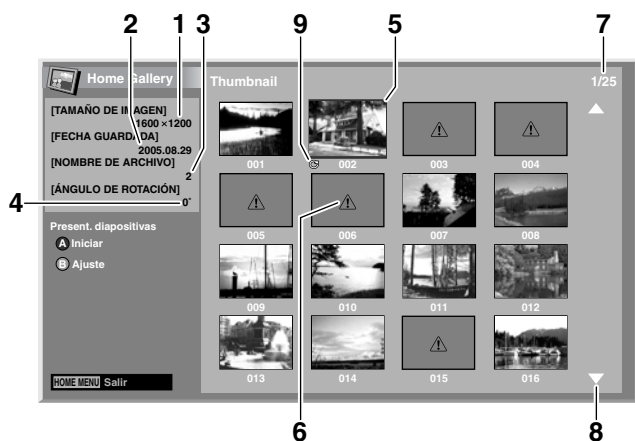
La pantalla Home Gallery inicial muestra las carpetas almacenadas en la tarjeta de memoria. Aparecen tipos diferentes de íconos dependiendo de los contenidos de las carpetas.

- Atribuye una carpeta que contiene otra carpeta.
- Atribuye una carpeta que no contiene archivos de imágenes.
- Atribuye una carpeta que contiene uno o más archivos de imágenes.
- Asigna uno o más archivos de imagen almacenados en el directorio raíz.

Para seleccionar una carpeta deseada, pulse ▲/▼ y, a continuación, ENTER. Las imágenes en la carpeta seleccionada se visualizan en el formato miniatura.

Iniciación de una pantalla de miniaturas

Cuando se selecciona una carpeta en la pantalla Home Gallery inicial, las imágenes en la carpeta se visualizan en el formato miniatura.



- ① Tamaño de imagen
- ② Fecha guardada
- ③ Nombre de archivo
- ④ Ángulo de rotación
- ⑤ Cursor de selección de imagen
- ⑥ Aparece para imágenes que no pueden leerse.
- ⑦ Número del archivo seleccionado/número total de imágenes en la carpeta
- ⑧ Aparece cuando la carpeta contiene más de 16 imágenes.
- ⑨ Indica que la imagen ha sido girada.

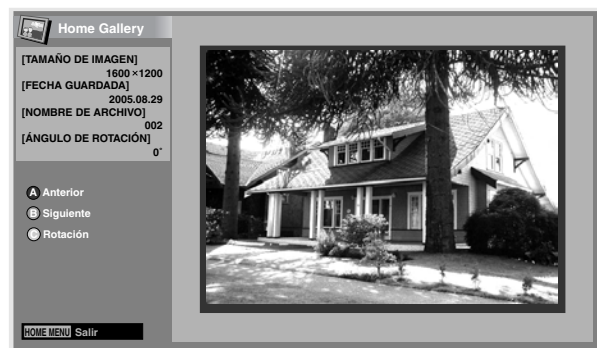
Pulse ▲/▼ para desplazar la pantalla.

Para realzar una imagen deseada, pulse ▲/▼ y ◀/▶ para desplazar el cursor. La información acerca de la imagen realzada aparece en la izquierda superior de la pantalla.

Para salir de la pantalla Home Gallery, pulse HOME MENU.

Iniciación de una pantalla de imagen simple estándar

Mientras se visualice la pantalla de miniaturas, pulse ▲/▼ y ◀/▶ para realzar una imagen deseada y, a continuación, pulse ENTER. La pantalla de miniaturas se cierra y se visualiza solamente la imagen seleccionada.



Con la pantalla de arriba visualizada, puede utilizar los botones siguientes para realizar varias operaciones.

AZUL:

Visualiza la imagen anterior en la pantalla normal o completa.

ROJO:

Visualiza la imagen siguiente en la pantalla normal o completa.

VERDE:

Gira la imagen visualizada hacia la derecha. Cada pulsación gira la imagen en la secuencia de 90°, 180° y 270°.

ENTER:

Cada pulsación cambia entre pantalla normal y pantalla completa.

HOME MENU:

Cancela la función Home Gallery.

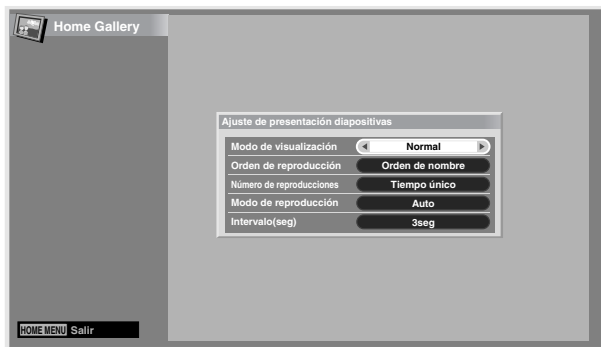
Nota

- Tenga cuidado de no visualizar la misma imagen durante un largo período de tiempo. La imagen puede quemarse en la pantalla, causando una imagen residual.
- Imágenes menores que 1024 x 768 píxeles se visualizan con contornos en blanco.

Iniciación de la pantalla de configuración de presentación de diapositivas

Mientras se visualice la pantalla de miniaturas, pulse **ROJO** para iniciar la pantalla de configuración para la presentación de diapositivas, que cambia las imágenes en secuencia.

- 1 Seleccione "Modo de visualización" (↑/↓).
- 2 Seleccione "Normal" o "Completo" (←/→).
 - Con "Completo" seleccionado, las imágenes se visualizan en una pantalla completa.
- 3 Seleccione "Orden de reproducción" (↑/↓).
- 4 Seleccione "Orden de nombre" o "Aleatorio" (←/→).
- 5 Seleccione "Número de reproducciones" (↑/↓).
- 6 Seleccione "Tiempo único" o "Bucle" (←/→).
 - Con "Bucle" seleccionado, la presentación de diapositivas se repite hasta que se pulse **RETURN**.
- 7 Seleccione "Modo de reproducción" (↑/↓).
- 8 Seleccione "Auto" o "Manual" (←/→).
 - Con "Auto" seleccionado, las imágenes cambian automáticamente en intervalos especificados.
 - Con "Manual" seleccionado, se visualiza la imagen anterior cuando se pulsa **AZUL** o la imagen siguiente cuando se pulsa **ROJO**.



- 9 Si ha seleccionado "Auto" en el paso 8, pulse ↑/↓ para seleccionar "Intervalo(seg)" y, a continuación, pulse ←/→ para seleccionar la duración de visualización deseada para imágenes individuales.
 - Puede seleccionar entre 3 segundos, 5 segundos, 10 segundos, 20 segundos, 30 segundos, 60 segundos y 90 segundos.
- 10 Para iniciar la pantalla de presentación en diapositivas, pulse **RETURN** para visualizar la pantalla de miniaturas y, a continuación, pulse **AZUL**.
 - Para salir de la pantalla Home Gallery, pulse **HOME MENU**.

Nota

- Si intenta visualizar la pantalla de presentación de diapositivas por un largo período de tiempo, seleccione "COMPLETA" para el tamaño de la pantalla para evitar la retención de imagen en la pantalla.

Iniciación de la pantalla de presentación de diapositivas

Tras configurar la presentación de diapositivas, puede iniciarla para cambiar las imágenes en secuencia.

- 1 Para iniciar la pantalla de presentación de diapositivas, pulse **AZUL** mientras se visualice una pantalla de miniaturas.
 - Con "Auto" seleccionado para "Modo de reproducción", las imágenes cambian automáticamente en intervalos especificados.
 - Con "Manual" seleccionado para "Modo de reproducción", pulse **AZUL** para visualizar la imagen anterior o **ROJO** para visualizar la imagen siguiente.
 - Mientras las imágenes cambian automáticamente, puede parar y retener el cambio automático de las imágenes durante aproximadamente cinco minutos pulsando **AZUL**. Para reanudar, pulse y sostenga **AZUL** nuevamente.
- 2 Para salir de la pantalla de presentación de diapositivas, pulse **RETURN** para volver a la pantalla de miniaturas o **HOME MENU** para salir de la función Home Gallery.
- 3 Seleccione desde pantalla normal o pantalla completa pulsando **ENTER**.
 - Cada pulsación cambia entre pantalla normal y pantalla completa.

Nota

- Cuando se ejecuta una pausa durante una presentación de diapositivas, la pantalla cambia automáticamente a la imagen siguiente en cinco minutos.
- Si no se realiza ninguna operación durante cinco minutos, la función Home Gallery termina automáticamente, excepto en la pantalla de presentación de diapositivas.

Capítulo 13

Utilización del Control HDMI

Utilización de las funciones del Control HDMI

Puede operar dispositivos Pioneer tales como grabadora, reproductor o sistema de AV que soporten las funciones de Control HDMI utilizando el mando a distancia de la pantalla de plasma.

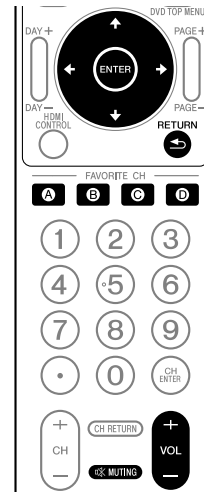
Las funciones de Control HDMI incluyen la reproducción del contenido utilizando el panel de control en la propia pantalla de la pantalla de plasma. Para los detalles, consulte la tabla a continuación.

Nota

- El número máximo de dispositivos que pueden conectarse y controlarse con el mando a distancia de la pantalla de plasma es: grabadora x 2, reproductor x 2, sistema de AV x 1.
- No todas las operaciones de los dispositivos pueden estar disponibles para las funciones del Control HDMI.

Funciones del Control HDMI

Función	Descripción	Dispositivos utilizables
Reproducción de contenido	Al pulsar PLAY en el dispositivo conectado, se selecciona la fuente de entrada adecuada automáticamente y se reproduce el contenido en la pantalla de plasma	Grabadora/reproductor
Control en la pantalla	Se puede controlar la operación de la grabadora/reproductor en la pantalla o con el mando a distancia de la pantalla de plasma (reproducción, parada, avance rápido/retroceso, etc.)	Grabadora/reproductor
Configuración del idioma de visualización	La información en el idioma de menú de visualización se transfiere a la grabadora o reproductor conectado a la pantalla de plasma. Para los detalles, consulte el manual de instrucciones que viene con la grabadora o reproductor.	Grabadora/reproductor
Control de sistema de AV	También se puede controlar la operación de un receptor/amplificador con el mando a distancia de la pantalla de plasma (volumen, modo de surround y selección de entrada del terminal HDMI)	Sistema de AV
Encendido	Se puede encender la pantalla de plasma cuando se enciende la grabadora o reproductor conectado y se envían imágenes a la pantalla de plasma.	Grabadora/reproductor
Apagado	Se puede apagar los dispositivos conectados cuando se apaga la pantalla de plasma	Grabadora/reproductor/sistema de AV



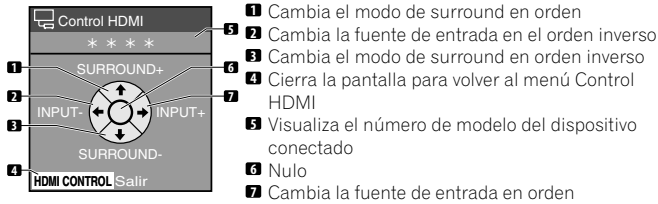
- Pulse **VOL +/-** o para ajustar el volumen del sistema de AV.
- Pulse **↑, ↓, ←, →, ENTER, RETURN** () o los botones de color (**AZUL, ROJO, AMARILLO, VERDE**) para utilizar las funciones como el navegador de disco en la grabadora o reproductor conectado.

Nota

- Cuando utilice las funciones del Control HDMI, opere el mando a distancia apuntándolo al sensor de mando a distancia (**SRI**) ubicado en la derecha inferior del panel frontal de la pantalla de plasma.
- No es posible utilizar dos o más terminales HDMI en la parte trasera de la pantalla de plasma al mismo tiempo, excepto las funciones "Apagado" y "Configuración de idioma de visualización".

Panel de control en la pantalla

Para un sistema de AV



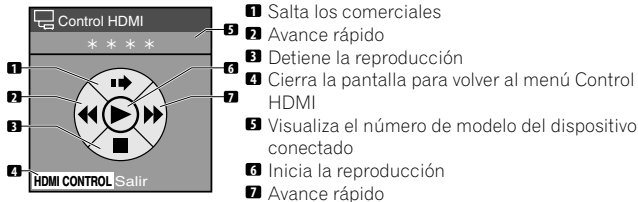
- 1 Cambia el modo de surround en orden
- 2 Cambia la fuente de entrada en el orden inverso
- 3 Cambia el modo de surround en orden inverso
- 4 Cierra la pantalla para volver al menú Control HDMI
- 5 Visualiza el número de modelo del dispositivo conectado
- 6 Nulo
- 7 Cambia la fuente de entrada en orden

Pulse **↑** o **↓** en el mando a distancia de la pantalla de plasma para cambiar el modo de surround en orden o en el orden inverso, **←** o **→** para cambiar la fuente de entrada HDMI en orden o en el orden inverso. Pulsar **HDMI CONTROL** desactiva la pantalla del panel de control para volver al menú Control HDMI.

Nota

- No podrá operar la grabadora/reproductor cuando pulse **←** o **→** para cambiar la fuente de entrada durante la operación. Para continuar la operación, vuelva al menú Control HDMI y seleccione de nuevo la función deseada.

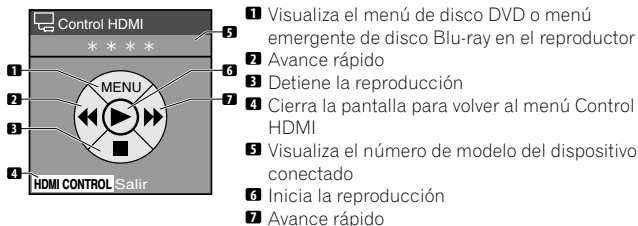
Para una grabadora



- 1 Salta los comerciales
- 2 Avance rápido
- 3 Detiene la reproducción
- 4 Cierra la pantalla para volver al menú Control HDMI
- 5 Visualiza el número de modelo del dispositivo conectado
- 6 Inicia la reproducción
- 7 Avance rápido

Pulse **←** o **→** en el mando a distancia de la pantalla de plasma para seleccionar el modo de retroceso rápido o avance rápido, **↑** para saltar comerciales o **↓** para detener la reproducción. Pulsar **ENTER** inicia la reproducción y **HDMI CONTROL** desactiva la pantalla del panel de control para volver al menú Control HDMI.

Para un reproductor



- 1 Visualiza el menú de disco DVD o menú emergente de disco Blu-ray en el reproductor
- 2 Avance rápido
- 3 Detiene la reproducción
- 4 Cierra la pantalla para volver al menú Control HDMI
- 5 Visualiza el número de modelo del dispositivo conectado
- 6 Inicia la reproducción
- 7 Avance rápido

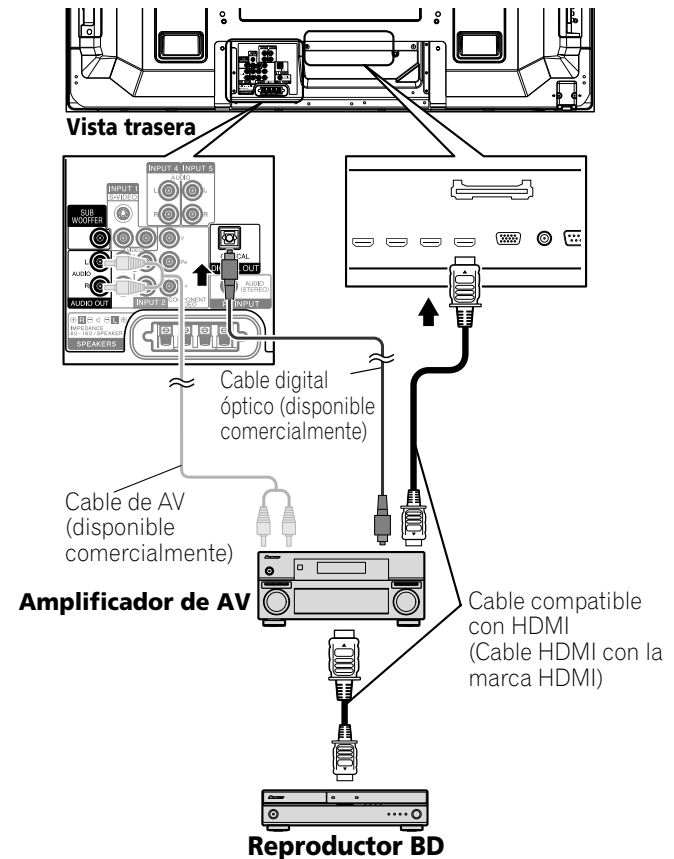
Pulse **←** o **→** en el mando a distancia de la pantalla de plasma para seleccionar el modo de retroceso rápido o avance rápido, **↑** para visualizar el menú de disco DVD o menú emergente de disco Blu-ray en el reproductor o **↓** para detener la reproducción. Pulsar **ENTER** inicia la reproducción y **HDMI CONTROL** desactiva la pantalla del panel de control para volver al menú Control HDMI.

Conexiones de Control HDMI

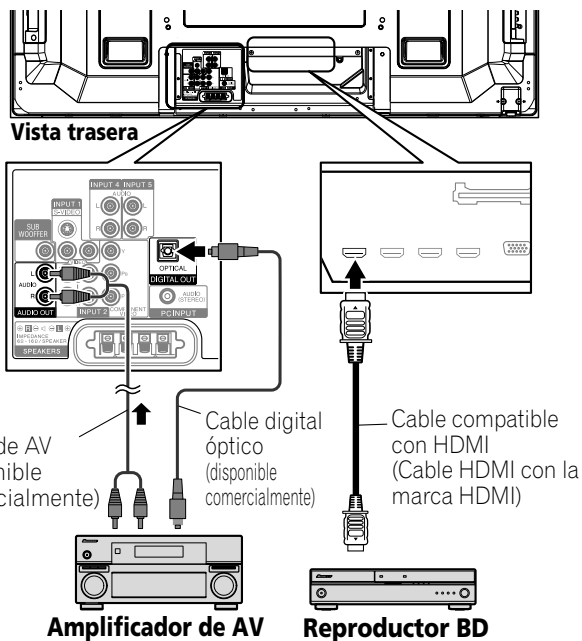
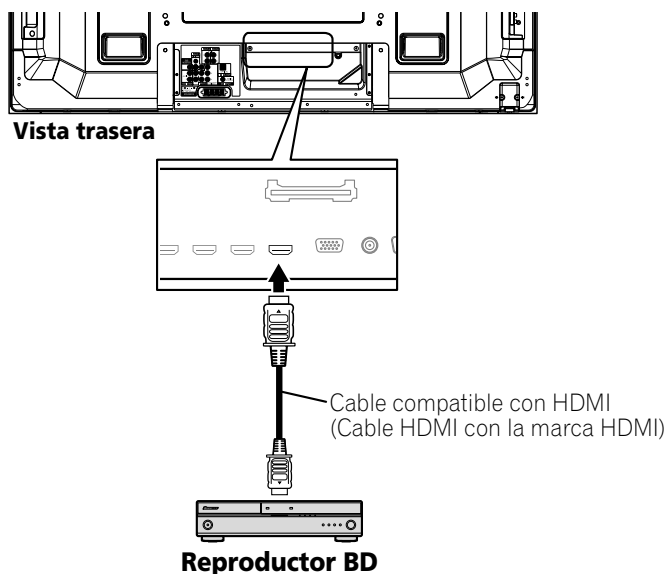
Al hacer cambios en las conexiones entre la pantalla de plasma y los dispositivos que soportan las funciones de Control HDMI, o cambios en los ajustes de "Conf.Control HDMI", realice el siguiente procedimiento:

- 1 Encienda la pantalla de plasma y todos los dispositivos conectados.
- 2 Compruebe que la configuración en "Config. entrada" para "Conf.Control HDMI" esté ajustada de acuerdo con los dispositivos conectados. Compruebe también las configuraciones relacionadas con Control HDMI en los dispositivos conectados.
- 3 Cambie a los terminales de entrada HDMI a los cuales los dispositivos están conectados para comprobar si se reciben las señales de audio y vídeo correctamente.
- 4 Intente apagar la pantalla de plasma y, a continuación, enciéndala nuevamente.

Conexión de un amplificador de AV/reproductor BD



Conexión de un reproductor BD



Nota

- El número máximo de dispositivos que pueden conectarse y controlarse con el mando a distancia de la pantalla de plasma es: grabadora x 2, reproductor x 2, sistema de AV x 1.
- Cuando conecte un sistema de AV, asegúrese de colocarlo y conectarlo entre la pantalla de plasma y la grabadora o reproductor.
- No conecte un sistema de AV que soporte las funciones de Control HDMI entre la pantalla de plasma y una grabadora/reproductor; de lo contrario, puede que las funciones de Control HDMI no funcionen correctamente.
- Cuando conecte un sistema de AV que no soporte las funciones de Control HDMI y un reproductor/grabadora que soporte las funciones de Control HDMI a la pantalla de plasma, conecte el sistema de AV al terminal DIGITAL OUT y al terminal AUDIO OUT en la pantalla de plasma utilizando un cable digital óptico y un cable de AV (disponible comercialmente), y la grabadora/reproductor al terminal HDMI utilizando un cable compatible con HDMI (vea la ilustración a continuación). Observe que las señales que se introducen de los terminales HDMI no se emiten desde el terminal DIGITAL OUT.

- Después de hacer las conexiones, haga la configuración en "Config. entrada" para "Conf.Control HDMI". Asegúrese de hacer la configuración para cada terminal de entrada HDMI al cual haya un dispositivo conectado.
- Las configuraciones de los dispositivos conectados también se requieren para utilizar las funciones de Control HDMI. Para los detalles, consulte el manual de instrucciones que viene con los dispositivos conectados.
- Para más información sobre los dispositivos que soportan las funciones de Control HDMI, visite el sitio de Pioneer en la Web (vea el verso).

Configuración del Control HDMI

Selección del terminal de entrada

Seleccione el terminal HDMI al cual se ha conectado un dispositivo externo para utilizar las funciones de Control HDMI.

- 1 Pulse HOME MENU.
- 2 Seleccione "Opción" (↑/↓ y, a continuación, ENTER).
- 3 Seleccione "Conf.Control HDMI" (↑/↓ y, a continuación, ENTER).



- 4 Seleccione "Config. entrada" (↑/↓ y, a continuación, ENTER).
- 5 Seleccione "ENTRADA4", "ENTRADA5", "ENTRADA6" O "ENTRADA7" (↑/↓ y, a continuación, ENTER).

Solamente el dispositivo que soporta el Control HDMI y está conectado a través del terminal INPUT seleccionado queda disponible para las funciones de Control HDMI.

- 6 Pulse HOME MENU para salir del menú.

Nota

- Si se ha seleccionado "Apagado" en el paso 5, el mensaje "Operaciones actuales no pueden realizarse. Compruebe config. de "Conf.Control HDMI"." aparece cuando se pulsa **HDMI CONTROL** en el mando a distancia.
- Si opera un dispositivo que soporta HDMI con un terminal HDMI que no sea el terminal seleccionado en "Config. entrada", puede que ocurra un fallo de funcionamiento. Cuando conecte a cualquier terminal HDMI que no sea el terminal seleccionado en "Config. entrada", asegúrese de hacer las configuraciones del dispositivo externo de modo que el Control HDMI no funcione.

Selección del control de apagado

Puede seleccionar si se apaga o no el dispositivo conectado cuando se apaga la pantalla de plasma. (la selección predeterminada é "Encendido")

- 1 Pulse **HOME MENU**.
- 2 Seleccione "Opción" (↑/↓ y, a continuación, ENTER).
- 3 Seleccione "Conf.Control HDMI" (↑/↓ y, a continuación, ENTER).
- 4 Seleccione "Control apagado" (↑/↓ y, a continuación, ENTER).
- 5 Seleccione "Encendido" (↑/↓ y, a continuación, ENTER).
- 6 Pulse **HOME MENU** para salir del menú.

Nota

- La función "Control apagado" es válida para los dispositivos conectados a cualesquiera de los terminales HDMI en la parte trasera de la pantalla de plasma.

Selección de Listo encendido

Puede seleccionar si se enciende o no la pantalla de plasma cuando se enciende la grabadora o reproductor Pioneer conectado y se emiten imágenes a la pantalla de plasma. (la selección predeterminada é "Encendido")

- 1 Repita los pasos de 1 a 3 en *Selección del control de apagado*.
- 2 Seleccione "Listo encendido" (↑/↓ y, a continuación, ENTER).
- 3 Seleccione "Encendido" (↑/↓ y, a continuación, ENTER).
- 4 Pulse **HOME MENU** para salir del menú.

Selección de la retención del estado del sonido

Puede seleccionar si se retiene o no la función para el sistema de AV Pioneer conectado aun cuando el sistema entra en el modo de espera durante las operaciones de Control HDMI. (la selección predeterminada é "Apagado")

- 1 Repita los pasos de 1 a 3 en *Selección del control de apagado*.
- 2 Seleccione "RetenerConf.Audio" (↑/↓ y, a continuación, ENTER).
- 3 Seleccione "Encendido" (↑/↓ y, a continuación, ENTER).
- 4 Pulse **HOME MENU** para salir del menú.

Prueba de encendido/apagado

Puede comprobar si la función de control de encendido/apagado está efectiva entre la pantalla de plasma y el dispositivo conectado.

- 1 Repita los pasos de 1 a 3 en *Selección del control de apagado*.
- 2 Seleccione "Prueba encender" o "Prueba apagado" (↑/↓ y, a continuación, ENTER).

Un lista de dispositivos aparece cuando múltiples dispositivos HDMI están conectados a los terminales HDMI.

- 3 Seleccione el dispositivo deseado (↑/↓ y, a continuación, ENTER).
- 4 Pulse **HOME MENU** para salir del menú.

Nota

- Los dispositivos que pueden verificarse para la prueba de encendido/apagado son los dispositivos conectados a los terminales HDMI como se ha ajustado en "Config. entrada".
- Si la prueba de encendido/apagado falla, compruebe la conexión y configuración.

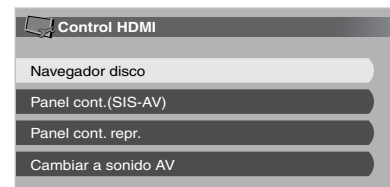
Utilización de los menús del Control HDMI

Puede disfrutar de varias funciones con una grabadora, reproductor o sistema de AV Pioneer conectado que soporte las funciones de Control HDMI, seleccionando y utilizando los menús de Control HDMI correspondientes.

1 Pulse HOME MENU.

2 Seleccione "Control HDMI" (↑/↓ y, a continuación, ENTER).

Se visualiza el menú Control HDMI.

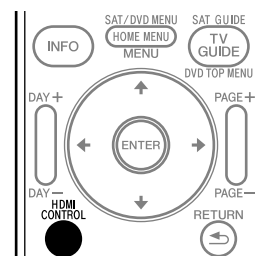


Menú Control HDMI

Ítem	Descripción
Navegador disco	Visualiza una lista de títulos de la grabador o reproductor conectado
Panel cont. (SIS-AV)	Visualiza el panel de control para el sistema de AV conectado en la pantalla de plasma
Panel cont. repr.	Visualiza el panel de control para la grabadora o reproductor conectado en la pantalla de plasma
Cambiar a sonido AV (Cambiar a sonido PDP)	Cambia entre la pantalla de plasma y el sistema de AV conectado al cual se emite el sonido

Nota

- Para utilizar las funciones de Control HDMI, se requiere una grabadora, reproductor o sistema de AV Pioneer que soporte las funciones de Control HDMI.
- No todas las operaciones pueden controlarse para los dispositivos conectados.
- No se puede seleccionar el menú Control HDMI cuando "Apagado" está seleccionado en "Config. entrada" para el menú "Conf.Control HDMI".
- El menú Panel cont. (SIS-AV) sólo está disponible cuando se emite el sonido desde el sistema de AV.
- Se puede seleccionar el menú Panel cont. repr. cuando la grabadora o reproductor conectado está listo para operarse.
- También puede visualizar el menú Control HDMI pulsando **HDMI CONTROL** en el mando a distancia de la pantalla de plasma.



Capítulo 14

Funciones útiles del mando a distancia

Preajuste de los códigos de fabricantes para controlar otros dispositivos**Preajuste de los códigos de fabricante**

- 1 Deslice el Interruptor de modo para el dispositivo al cual desea preajustar la señal de mando a distancia.**
- 2 Pulse EDIT y 1 al mismo tiempo.**
 - El LED parpadea.
- 3 Pulse 0 a 9 para introducir el código del fabricante. Consulte la página 84.**
 - El modo de preajuste se finalice una vez que el LED no se enciende más.

Búsqueda de librería

En el caso que el código de dispositivo para un equipo particular es desconocido, puede mover el mando a distancia a través de los códigos disponibles para el modo de dispositivo y funciones de muestreo desde cada código para encontrar el código que funciona correctamente con el dispositivo deseado.

- 1 Deslice el Interruptor de modo para el dispositivo al cual desea preajustar la señal de mando a distancia.**
- 2 Pulse EDIT y 3 al mismo tiempo.**
 - El indicador LED parpadea y el mando a distancia entra en el modo de programación de búsqueda de librería.
- 3 Pulse SOURCE POWER, PLAY, 1 ó CH+ para probar el código seleccionado.**
- 4 Cuando no se puede encontrar el código, pulse ▲/▼ para avanzar al código siguiente o volver al código anterior y repita el paso 3.**
- 5 Pulse ENTER cuando encuentre un código que funcione correctamente con el dispositivo.**
 - Todos los botones disponibles para el modo seleccionado están programados. El mando a distancia vuelve a la operación normal después encender el indicador LED por un segundo para confirmación.

Reposición de fabricación

Puede reponer todos los códigos aprendidos y preajustados a las selecciones predeterminadas, independientemente del modo.

- 1 Pulse EDIT y POWER en cualquier posición del Interruptor de modo al mismo tiempo.**
 - El indicador LED parpadea y el mando a distancia entra en el modo de reposición de fabricación.
- 2 Pulse D.**
 - Se finaliza la reposición de fabricación. El indicador LED parpadea durante un segundo y el mando a distancia vuelve a su operación normal.

**Nota**

- Para salir del modo de edición antes que se finalice, pulse **EDIT** de nuevo.
- Si se cambia la selección del **Interruptor de modo** en el modo de edición, el modo de edición se cancela.
- Si no se realiza ninguna operación durante más de un minuto, el modo de edición se cancela.
- Cuando introduce un código no listado, el LED parpadea rápidamente.
- El modo inicial es "PIONEER".
- Puede que no sea capaz de controlar algunos equipos en las tablas, parcial o completamente, con el mando a distancia.

Programación de los códigos

CABLE

Marca	Códigos	Marca	Códigos	Marca	Códigos	Marca	Códigos
A-Mark	0008, 0144	Fosgate	0276	NSC	0012, 0637	Signature	0011
ABC	0237, 0003, 0008, 0014, 0011, 0017	GE	0144, 0021	Oak	0017	Sony	1006, 1506, 1606
Accuphase	0003, 0014, 0011, 0017	General Instrument	0476, 0810, 0276, 0003, 0012, 0014, 0011	Optimus	0021	Sprucer	0144, 0021
Acorn	0237	Gibraltar	0003	Pace	1877, 0877, 0237, 0008	Starcom	0003, 0014
Action	0237	Global	1327	Panasonic	0000, 0008, 0144, 0107, 0021	Stargate	0014
Active	0237	GMI	0883	Panther	0637	Storm	0637
Americast	0899	GoldStar	0144	Paragon	0000, 0008, 0525	Supercable	0276
Amino	1602, 1822	Hamlin	0009, 0273	Penney	0000, 0637	Supermax	0883
Archer	0237, 0260	Hitachi	0003, 0008, 0009, 0011, 0154	Philips	1305, 0317	Thomson	1256
BCC	0276	Houston	0011	Pioneer	1877, 0877, 0144, 0533, 0023, 0260, 1021	Tocom	0012
Bell & Howell	0014	i3 Micro	1602	Prism	0012	Torx	0003
Bell South	0899	Insight	0476, 0810	Pulsar	0000	Toshiba	0000
British Telecom	0003	Jebsee	0014	Quasar	0000	Tristar	0883
Century	0008	Jerrold	0476, 0810, 0276, 0003, 0012, 0014, 0011	RadioShack	0883	United Cable	0276, 0003, 0014, 0011
Citation	0017	Memorex	0000	RCA	1256, 0021	US Electronics	0276, 0003, 0008, 0017
Clearmaster	0883	Mitsubishi	0003	Regal	0276, 0279, 0273	V2	0883
ClearMax	0883	Motorola	1376, 0476, 0810, 0276, 1187, 1254, 0014, 1106	Rembrandt	0011	Videoway	0000
Cleartron	1327	Multitech	0883	Runco	0000	Viewmaster	0883
Cool Box	0883	Myrio	1602, 1822	Samsung	0003, 0144, 0023	ViewmaxPro	1544
Coolmax	0883	Nova Vision	0008	Scientific Atlanta	1877, 0877, 0477, 0237, 0003, 0000, 0008, 0012, 0017, 0021	Vision	0883
Digeo	1187	Novaplex	0008, 0017	Sejin	1602	Vortex View	0883
Digi	0637			Signal	0011	Zenith	0000, 0525, 0899, 0017
Director	0476						
Dumont	0637						
Emerson	0014						

SATÉLITE

Marca	Códigos	Marca	Códigos	Marca	Códigos	Marca	Códigos
A-Mark	0210	GE	0392, 0566	MegaSat	1551	Realistic	0052
AlphaStar	0772	General Instrument	0869	Memorex	0724, 0269	Samsung	1377, 1142, 1276, 1108, 1109, 1442, 1609
Amino	1615	GOI	0775, 1775	Mitsubishi	0749	Sanyo	1219
Bell ExpressVu	0775	Goodmans	1246	Motorola	0869, 0856	SKY	0856, 0099
Channel Master	0212	Hisense	1535	NEC	0178, 1270	Sony	0639, 1639, 1640
Chaparral	0053, 0209, 0216	Hitachi	0749, 0819, 1250	Netsat	0099	Star Choice	0869
Crossdigital	1109	Homecable	0238	Next Level	0869	Star Trak	0772, 0869, 0180
DirecTV	1377, 0392, 0566, 0639, 1639, 1142, 0247, 0749, 1749, 0724, 0819, 1856, 1076, 1108, 0099, 1109, 1392, 1414, 1442, 1443, 1444, 1538, 1609, 1640	Houston	0775, 0280	Optimus	0724	STS	0210
		HTS	0775, 0280, 1775	Panasonic	0247, 0701, 0152	Thomson	0392, 0566
		Hughes Network Systems	1142, 0749, 1749, 1442, 1443, 1444, 1538	Pansat	0647, 1551, 1807	Tivo	1142, 1442, 1443, 1444, 1538
		Humax	1790	Paysat	0724	Toshiba	0749, 1749, 0790, 0819, 0082, 1285
		iLo	1535	Philips	1142, 0749, 1749, 0775, 0724, 0819, 1076, 0722, 0099, 1442		
		Innova	0099				
		IQ	0210				
Dish Network System	1505, 1005, 0775, 1170, 1775	IQ Prism	0210	Pioneer	1142, 0329, 1442	UltimateTV	1392, 1640
		Janeil	0152	Primestar	0869	Uniden	0724, 0722, 0052, 0074, 0238
Dishpro	1505, 1005, 0775, 1775	Jerrold	0869	Proscan	0392, 0566	US Digital	1535
Echostar	1505, 1005, 0775, 0159, 0269, 0280, 1170, 1775	JVC	0775, 1170, 1775	Proton	1535	USDTV	1535
		King Viper	0210	RadioShack	0566, 0775, 0869, 0052, 0269	Voom	0869
		Legend	0269				
Expressvu	0775, 1775	LG	1226, 1414	RCA	0392, 0566, 1142, 0775, 0855, 0143, 1392, 1442	Zenith	0856, 1856, 1810
Fortec Star	1550	Magnavox	0724, 0722				
Funai	1377	McIntosh	0869				

Videograbadora

Marca	Códigos	Marca	Códigos	Marca	Códigos	Marca	Códigos
A-Mark	0037, 0240, 0000, 0278, 0046	CyberPower	1972	Headquarter	0046	Memorex	0035, 0162, 0037, 0048, 0039, 0047, 0240, 0000, 0104, 0209, 0072, 0278, 0062, 0054, 0046, 0307, 0479, 1037, 1162, 1262
ABS	1972	Daewoo	0037, 0045, 0278, 0020, 0046, 0561, 1137	Hewlett Packard	1972		
Admiral	0060, 0048, 0039, 0047, 0104, 0209, 0020, 0062, 0065, 0479	Daytron	0037, 0278, 0020	HI-Q	0035, 0047, 0000		
Adventura	0037, 0240, 0000	Dell	1972	Hitachi	0035, 0037, 0045, 0000, 0042, 0041, 0065, 0082, 0089, 0105, 0166, 0235, 0292		
Adyson	0072	Denon	0081, 0042				
Aiko	0278	Derwent	0041	Howard Computers	1972	Metz	0037
Aiwa	0037, 0000, 0124, 0307, 1137	DirecTV	0739	HP	1972	MGA	0060, 0240, 0043, 0061
Akai	0041, 0061, 0106, 0175, 0242	Dual	0000	Hughes Network Systems	0042, 0739	MGN Technology	0240
Alba	0209, 0072, 0278	Dumont	0040			Microsoft	1972
Alienware	1972	Durabrand	0039, 0038	Humax	0739	Midland	0240
Allegro	0039, 1137	Dynatech	0240, 0000	Hush	1972	Mind	1972
America Action	0278	Electrohome	0060, 0037, 0240, 0000, 0043, 0209, 0061	Hytek	0047, 0000, 0072	Minolta	0042, 0105
American High	0035, 0081	Electroponic	0037	iBUYPOWER	1972	Mitsubishi	0060, 0048, 0047, 0000, 0042, 0067, 0043, 0041, 0061, 0075, 0173, 0214, 0242, 0443
Amstrad	0000	Emerald	0184, 0121	ITT Nokia	0240, 0041		
Anam National	0226	Emerex	0032	Janeil	0240	Motorola	0035, 0048
Asha	0240	Emerson	0037, 0184, 0240, 0000, 0121, 0043, 0209, 0002, 0278, 0202, 0208, 0061, 0212, 0378, 0479, 0561, 0593, 1593	Jensen	0067, 0041	Movie Walker	0072
Astra	0035, 0240			JVC	0067, 0041, 0008, 0058, 0061, 0206, 0207, 0235, 1162, 1707	MTC	0240, 0000, 0072
Audio-Technica	0058			KEC	0037, 0278	MTX	0000
Audiovox	0037, 0278, 0038, 0054	ESA	1137	Kenwood	0067, 0041, 0038, 0046	Multitech	0039, 0000, 0072
Avis	0000, 0072	EverFocus	1346	KLH	0072	NAD	0240, 0104, 0058
Beaumark	0240	Fisher	0039, 0047, 0000, 0104, 0046, 0054	Kodak	0035, 0037	NEC	0104, 0067, 0041, 0038, 0040, 0050, 0082, 0457
Bell & Howell	0035, 0048, 0039, 0000, 0104, 0046, 0479	Fuji	0035, 0033	KTV	0000		
Broksonic	0184, 0121, 0209, 0002, 0208, 0479, 1815	Fujitsu	0000	LG	0037, 0240, 0038, 1037, 1137	New Tech	0072
Calix	0037	Funai	0037, 0000, 0072, 0278, 0593, 1593	Linksys	1972	Nikko	0037, 0278
Candle	0037, 0038	Garrard	0000	Lloyd's	0240, 0000, 0072, 0038, 0040, 0208	Nikkodo	0037, 0278
Canon	0035, 0034	Gateway	1195, 1196, 1972	Loewe	0081	Nikon	0034
Capehart	0002, 0020, 0062	GE	0060, 0035, 0048, 0240, 0000, 0149, 0065, 0077, 0202, 0760, 0761	Logik	0240, 0000, 0072, 0011	Nishi	0240
Carrera	0240			Lumatron	0278	Niveus Media	1972
Carver	0035, 0081			Luxor	0046, 0106	Noblex	0240
CCE	0072, 0278			LXI	0037, 0000, 0042, 0067, 0054	Northgate	1972
Cineral	0278	Gemini	0060	M Electronic	0240	Olympus	0035, 0162, 0104, 0226
CineVision	1137	Genexa	0037, 0000, 0278	Magnasonic	0037, 0240, 0000, 0072, 0278, 0020, 0082, 0593	Onkyo	0222
Citizen	0035, 0037, 0240, 0000, 0209, 0278, 0479	Go Video	0240, 0432, 0526, 0614, 0663, 1137, 1150			Optimus	1062, 0035, 0162, 0037, 0048, 0047, 0240, 0000, 0104, 0062, 0058, 0432, 0593, 1048, 0054, 1162, 1262
Classic	0037	GoldStar	0035, 0037, 0039, 0000, 0278, 0038, 0054, 1137	Magnavox	0035, 0037, 0048, 0039, 0081, 0240, 0000, 0149, 0011, 0054, 0226, 0563, 0593, 0618, 1593	Optonica	0062
Colorlyme	0060, 0035, 0045, 0278					Orion	0184, 0240, 0000, 0104, 0121, 0209, 0002, 0278, 0208, 0479
Colt	0000, 0072	Goodmans	0037, 0081, 0000, 0072, 0278, 0020, 0062	Magnin	0240		
Craig	0037, 0047, 0240, 0072, 0271	Gradiente	0000, 0008	Marantz	0035, 0081, 0038, 0062	Panama	0035
Criterion	0000, 0072	Granada	0081, 0042, 0011	Marta	0037		
Crosley	0035, 0081, 0000, 0149	Grundig	0081, 0034, 0226	Matsui	0037, 0209		
Crown	0072, 0278	Harley Davidson	0000	Matsushita	0035, 0162, 0081, 1162		
Curtis Matthes	0060, 0035, 0162, 0240, 0000, 0041, 0278, 0432, 0760	Harman/Kardon	0081, 0038, 0075	Media Center PC	1972		
Cybernex	0240	Harvard	0072	MEI	0035		
		Harwood	0072				

Videograbadora

Marca	Códigos	Marca	Códigos	Marca	Códigos	Marca	Códigos		
Panasonic	1062, 0035, 0162, 0000, 0020, 0077, 0225, 0226, 0227, 0246, 0378, 0614, 0616, 1162, 1262	Realistic	0035, 0162, 0037, 0048, 0047, 0240, 0000, 0104, 0121, 0278, 0046, 0062, 0065, 1162	Sonographe	0046	Trix	0037		
				Sony	0035, 0047, 0032, 0033, 0000, 0067, 0034, 0046, 0022, 0011, 0226, 0275, 0636, 1032, 1546, 1702, 1703, 1896, 1972	Ultra	0045, 0278, 0020		
						Unitech	0240		
Penney	0035, 0162, 0037, 0047, 0081, 0240, 0000, 0042, 0067, 0038, 0040, 0054, 0077	ReplayTV	0614, 0616	Soundmaster	0000	Vector	0045		
		Ricavision	1972		Vector Research	0184, 0038, 0040			
		Ricoh	0034		Vextra	0072			
		Rio	1137		Victor	0067, 0041, 0008			
Pentax	0042, 0065, 0105	Runco	0039	STS	0042, 0105	Video Concepts	0045, 0040, 0061, 0210, 0242		
Philco	0035, 0081, 0000, 0209, 0479	Salora	0075	SV2000	0000, 0072	Videomagic	0037		
		Samsung	0060, 0240, 0045, 0000, 0038, 0077, 0432, 0739	SVA	0000	Videosonic	0240, 0000, 0072		
Philips	0035, 0162, 0048, 0081, 0045, 0000, 0209, 0034, 0062, 0616, 0618, 0739, 1081, 1181, 1266			Sylvania	0035, 0081, 0000, 0043, 0593, 1593	Viewsonic	1972		
Samtron		0240	Symphonic	0240, 0000, 0002, 0593, 1593	Villain	0000			
Sanky		0048, 0039			Voodoo	1972			
Pilot		0037	Sansui	0240, 0000, 0067, 0209, 0041, 0072, 0002, 0082, 0271, 0479	Systemax	1972	Wards	0060, 0035, 0037, 0048, 0047, 0081, 0033, 0240, 0045, 0000, 0042, 0043, 0041, 0072, 0038, 0149, 0046, 0058, 0062, 0065, 0011, 0212, 0479, 0760	
	Pioneer		0162, 0081, 0042, 0067, 0058, 0168, 1337	Tagar Systems	1972				
Polk Audio	0081	Sanyo		0047, 0240, 0000, 0104, 0046, 0159, 0372, 0479	Tandy	0000, 0104	Technics	0035, 0162, 0037, 0000, 0246	Wharfedale
Portland	0278, 0020	Scientific Atlanta	0008	Tatung	0048, 0081, 0000, 0067, 0041, 0008	White Westinghouse			0000, 0209, 0072, 0278, 0479
Presidian	1593	Scott	0184, 0045, 0121, 0043, 0208, 0210, 0212	Teknika	0035, 0037, 0000	World	0209, 0002, 0479		
Profitronic	0240	Sears	0060, 0035, 0162, 0037, 0048, 0039, 0047, 0033, 0045, 0000, 0042, 0104, 0067, 0043, 0209, 0041, 0072, 0046, 0034, 0054, 0057, 0058, 0011, 0065, 0105	Telecorder	0240	XR-1000	0035, 0240, 0000, 0072, 0208		
Proscan	0060, 0202, 0760, 0761			Technics	0035, 0162, 0037, 0000, 0246	Telefunken	0041, 0208	Yamaha	0041, 0038
Protec	0000, 0072			Tevion	0479	Thomas	0000, 0002	Zenith	0037, 0039, 0033, 0000, 0209, 0041, 0278, 0011, 0034, 0479, 1137, 1139
Protech	0072			Thomson	0060, 0041, 0202	Tisonic	0278		
Pulsar	0039, 0240, 0278			Tivo	0618, 0636, 0739, 1337, 1996	TNIX	0037	ZT Group	1972
Pulser	0240			Sensory Science	1155	Tocom	0240	TMK	0240, 0000, 0208
Quarter	0046			Sharp	0048, 0047, 0032, 0000, 0062, 0065, 0848	Toshiba	0240, 0045, 0000, 0043, 0209, 0041, 0054, 0057, 0062, 0210, 0212, 0366, 1008, 1972, 1996		
Quartz	0035, 0047, 0046			Shintom	0039, 0240, 0000, 0072, 0208	Tosonic	0278	Totevision	0037, 0240
Quasar	0035, 0162, 0002, 0077, 0226, 1162			Shogun	0240	Touch	1972		
RadioShack	0035, 0162, 0037, 0048, 0047, 0240, 0000, 0104, 0046, 0062, 1037, 1162			Siemens	0037, 0104	Tosonic	0278	Totevision	0037, 0240
Radix	0037			Signature	0060, 0035, 0037, 0048, 0000, 0149, 0046, 0065, 0479				
Randex	0037			Singer	0037, 0240, 0072	Tosonic	0278	Totevision	0037, 0240
RCA	0060, 0035, 0048, 0240, 0045, 0000, 0042, 0149, 0880, 0761, 0760, 0202, 0166, 0106, 0105, 0077, 0065, 0058, 0054	Sonic Blue	0614, 0616, 1137	Touch	1972				

PVR

Marca	Códigos	Marca	Códigos	Marca	Códigos	Marca	Códigos
ABS	1972	HP	1972	Niveus Media	1972	Stack 9	1972
Alienware	1972	Hughes Network Systems	0739	Northgate	1972	Systemax	1972
CyberPower	1972			Panasonic	0614, 0616	Tagar Systems	1972
Dell	1972	Humax	0739	Philips	0618, 0739	Tivo	0618, 0636, 0739, 1337
DirecTV	0739	Hush	1972	Pioneer	1337	Toshiba	1008, 1972, 1996
EverFocus	1346	iBUYPOWER	1972	RCA	0880	Touch	1972
Gateway	1195, 1196, 1972	Linksys	1972	ReplayTV	0614, 0616	Viewsonic	1972
Go Video	0614	Media Center PC	1972	Samsung	0739	Voodoo	1972
Hewlett Packard	1972	Microsoft	1972	Sonic Blue	0614, 0616	ZT Group	1972
Howard Computers	1972	Mind	1972	Sony	0636, 1972		

DVD

Marca	Códigos	Marca	Códigos	Marca	Códigos	Marca	Códigos	
3D LAB	0503, 0539	CAVS	1057	Enterprise	0591	Kawasaki	0790	
Accurian	1072, 1416, 1737	Celestial	1020	Entivo	0503, 0539	Kenwood	0490, 0534, 0682, 0737	
Acoustic Solutions	0730	Centrex	0672, 1004	Enzer	0770	KLH	0717, 0790, 1020, 1149	
Adcom	1094	Centrios	1577	ESA	1443	Kloss	0533	
Afreey	0698	Cinea	0831	Firstline	0651	Konka	0711, 0721	
Aiwa	0641	CineVision	0876, 0833, 0869	Fisher	0670	Koss	0651, 0769, 0896, 1061, 1423	
Akai	0695, 0705, 0770, 1089	Citizen	1003, 0695, 1277	Funai	0675, 1334		Kreisen	1421
Alba	0672, 0717	Clairtone	0571	Gateway	1073, 1077, 1158, 1194	Krell	1498	
Alco	0790	Coby	0778, 0852, 1077, 1086, 1107, 1165, 1177, 1351	GE	0522, 0815, 0717	Lafayette	1369	
Allegro	0869		Craig	0831	Go Video	0573, 0744, 0717, 1730, 1443, 1304, 1158, 1148, 1144, 1099, 1075, 1044, 0869, 0833, 0783, 0741, 0715	Landel	0826
Amphion Media Works	0872, 1245	Creative	0503, 0539	Go Vision	1071, 1072	Lasonic	0627, 0798, 1173, 1747	
AMW	0872, 1245		Curtis Mathes		1087	GoldStar	0741, 0801, 0869	Lecson
Apex Digital	0533, 0672, 0717, 0755, 0794, 0796, 0797, 1004, 1020, 1056, 1061, 1100	CyberHome	0816, 0874, 1017, 1019, 1023, 1024, 1117, 1129, 1502, 1537	LiteOn	1058, 1158, 1416, 1440, 1656	Lennox	1127	
	Arcam		0732		Cytron	0705	Loewe	0511, 0741
Arrgo	1023	Daewoo	0784, 0705, 0770, 0833, 0869, 1169, 1172, 1234, 1242, 1441, 1443	Goodmans	0790	Logix	0783	
Aspire Digital	0594, 1168, 1407		GPX	0699, 0769	Gradiente	0490, 0651	Magnasonic	0651, 0675
Astar	1489, 1494, 1678, 1679		Greenhill	0717	Grundig	0539, 0705	Magnavox	0503, 0539, 0646, 0675, 1506
Audiologic	0736		Harman/Kardon	0582, 0702	Hitachi	0573, 0664	Malata	0782, 1159
Audiovox	0717, 0790, 1041, 1071, 1072	Daytek	0872	Hiteker	0672	Marantz	0503, 0539, 0675	
	Awa	0730	Decca	0770	Humax	1588	McIntosh	1533, 1273, 1373
Axion	1071, 1072	Denon	0490, 0634	iLo	1348	Medion	0651	
B & K	0655, 0662	Denver	0778	Initial	0717	Memorex	0690, 0695, 0831, 1270	
BBK	1224	Desay	1407, 1455	Innovative Technology	1542	Microsoft	0522, 1708	
Bel Canto Design	1571	Diamond Vision	1316	INOi	1747	Minato	0752	
Blaupunkt	0717	Digitrex	0672	Integra	0571, 0627	Mintek	0839, 0717	
Blue Parade	0571	Digix	1272	IRT	0783	Mitsubishi	1521, 0521	
Blue Sky	0695, 0699	Disney	0675, 1270	Jaton	1078	MixSonic	1130, 1611	
Brandt	0651	DiViDo	0705	JBL	0702	Momitsu	1082	
Broksonic	0695, 1419	Dual	0675, 1068, 1085	JMB	0695	Mustek	0730	
Bush	0690	Durabrand	1127	JSI	1423	Myryad	0894	
California Audio Labs	0490	DVD2000	0521	JVC	0558, 0623, 0867, 1164, 1275, 1550, 1602	NAD	0591, 0692, 0741	
Cambridge Audio	1471	Electrohome	1003	jWin	1049, 1051, 1469, 1675	Naiko	0770	
Cambridge Soundworks	0690	Elta	0690		Nakamichi	1222		
Cary Audio Design	1477	Emerson	0591, 0675	NEC	0785, 0869			

DVD

Marca	Códigos	Marca	Códigos	Marca	Códigos	Marca	Códigos
Nesa	0717	Presidian	0675, 1072	Schwaiger	0752	Tevion	0651
NeuNeo	0509	Primare	0886, 1467, 1618	Sensory Science	1158	Theta Digital	0571
Next Base	0826	Princeton	0674	Sharp	0630, 0675, 0752, 1256	Thomson	0522, 0511
NexxTech	1402	Proceed	0672	Sharper Image	1117	Tivo	1588
Nintaus	1051	Proscan	0522	Sherwood	0633, 0770, 1043, 1077	Toshiba	0503, 0573, 0539, 0695, 1154, 1588, 1608, 1769
Norcent	1003, 0872, 1107, 1265, 1457	Prosonic	0699	Shinsonic	0533, 0839	Tredex	0799, 0800, 0803, 0804
Onkyo	0503, 0627, 0792	ProVision	0778	Sigma Designs	0674	Unimax	0770
Oppo	0575, 1224, 1525	Qwestar	0651	Slim Art	0784	United	0730
Optimus	0571	Radionette	0741	SM Electronic	0690, 0730	Universum	0591
OptoMedia Electronics	0896	RadioShack	0571	Sonic Blue	0573, 0715, 0783, 0869, 1099	Urban Concepts	0503, 0539
Oritron	0651	RCA	0522, 0571, 0717, 0790, 0822	Sony	0533, 1533, 0864, 1017, 1033, 1069, 1070, 1431, 1432, 1433, 1548	US Logic	0839
Palsonic	0672, 0852	Realistic	0571	Sungale	1074, 1342, 1532	V	1064, 1226
Panasonic	0503, 0490, 0571, 0632, 0703, 1010, 1011, 1762	REALmagic	0674	SVA	0717, 0860, 1105	Venturer	0790
Philco	0690	Reoc	0752	Sylvania	0675	Vialta	1509
Philips	0503, 0539, 0646, 0675, 1267, 1354, 1846	Revoy	0699	Symphonic	0675, 1334	Vizio	1064, 1226
Phonotrend	0699	Rio	0869	Sylvania	0675	Vocopro	1027, 1360
PianoDisc	1024	RJTech	0118, 1360	TAG McLaren	0894	Wesder	0699
Pioneer	0525, 0571, 0142, 0631, 0632, 1475, 1476, 1571	Rotel	0623, 1178	Tatung	0770	Xbox	0522, 1708
Polaroid	1020, 1061, 1086, 1245, 1316, 1478	Rowa	0823, 1004	Teac	0571, 0717, 0692, 0790, 0809	Xwave	1001
Polk Audio	0539	Saba	0651	Technics	0490, 0703	Yamaha	0490, 0539, 0545, 0497, 0817
Portland	0770	Sampo	0698, 0752, 1501	Technika	0770	Yamakawa	0872
		Samsung	0490, 0573, 0744, 0199, 0820, 1044, 1075	Technosonic	0730	Zenith	0503, 0591, 0741, 0869
		Sansui	0695	Techwood	0692	Zeus	0784
		Sanyo	0670, 0675, 0695, 0873, 1334	Terapin	1031	Zoece	1265
		Schneider	0783				

DVD-R

Marca	Códigos	Marca	Códigos	Marca	Códigos	Marca	Códigos
Accurian	1416	Funai	0675, 1334	LiteOn	1158, 1416, 1440	Samsung	0490
Apex Digital	1056	Gateway	1073, 1158, 1194	Magnavox	0646, 0675, 1506	Sensory Science	1158
Aspire Digital	1168	Go Video	0741, 1158, 1304, 1730	Panasonic	0490, 1010, 1011	Sharp	0675
Astar	1489	iLo	1348	Philips	0646	Sony	1033, 1069, 1070, 1431, 1432, 1433
Broksonic	1419	JVC	1164, 1275	Pioneer	0631, 1475, 1476	Sylvania	0675
Coby	1086	Kreisen	1421	Polaroid	1086	Zenith	0741
CyberHome	1129, 1502	LG	0741	RCA	0522		

BD (HD-DVD)

Marca	Códigos	Marca	Códigos	Marca	Códigos
Pioneer	2052, 0142	Samsung	0199	Toshiba	1769

LD

Marca	Códigos	Marca	Códigos	Marca	Códigos	Marca	Códigos
Aiwa	0203	Marantz	0064, 0194	Polk Audio	0194	Technics	0204
Carver	0064, 0194, 0323	Mitsubishi	0059, 0241	Quasar	0204	Theta Digital	0194
Denon	0059, 0172, 0241	NAD	0059	Realistic	0203	Toshiba	0059
Disco Vision	0023	NEC	0286	Renaissance	0323	Victor	0245
Funai	0203	Optimus	0059	Samsung	0323	Wards	0059
Harman/Kardon	0194	Panasonic	0204	Sega	0023	Yamaha	0217
Hitachi	0023, 0395	Philips	0064, 0194	Sharp	0001		
Magnavox	0064, 0194, 0217, 0241	Pioneer	0059, 0023, 0241, 1274	Sony	0193, 0201, 0270		

Utilización del mando a distancia para controlar otros dispositivos

Botones de control de receptor

Cuando se conecta un receptor Pioneer a la pantalla, se puede operar el receptor utilizando los botones **1 a 3**.

1 RECEIVER ⏻ (STANDBY/ON)

Enciende y apaga el receptor Pioneer.

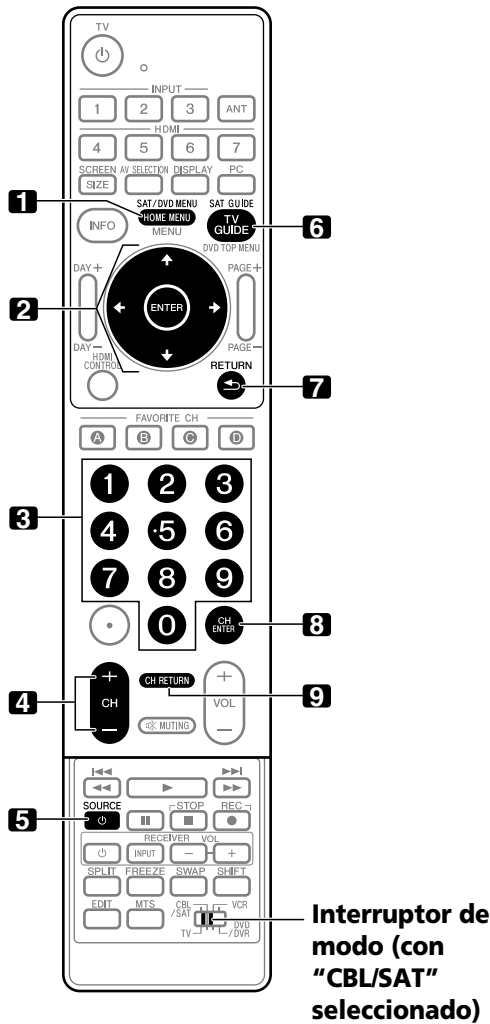
2 RECEIVER INPUT

Selecciona la fuente de entrada conectada al receptor Pioneer.

3 RECEIVER VOL +/-

Ajusta el nivel del volumen del receptor Pioneer. Pulse **VOL +** para aumentar el volumen y **VOL -** para disminuirlo.





Botones de control CBL/SAT

Cuando se ajusta el **interruptor de modo** a CBL/SAT, se puede operar el convertidor de cable o sintonizador satélite conectado a la pantalla utilizando los botones que se muestra a continuación (**3, 4, 5, 8 y 9** para los convertidores de cable y **1 a 7** para sintonizadores satélite):

1 SAT MENU

Visualiza la pantalla de menú de la transmisión por satélite.

2 ENTER, ↑/↓/←/→

ENTER: Activa la función seleccionada.

↑/↓/←/→: Selecciona ítems en la pantalla SAT GUIDE o pantalla SAT MENU.

3 0 a 9

Pulse un botón (o botones) que corresponde(n) al canal que desea ver.

4 CH +/-

Selecciona un canal más alto o más bajo.

5 SOURCE

Enciende y apaga el equipo.

6 SAT GUIDE

Visualiza la pantalla de guía de la transmisión por satélite.

7 RETURN

Cuando se visualice el menú CBL/SAT, restaura la pantalla anterior inmediatamente.

8 CH ENTER*

Fije el canal seleccionado con los botones de selección directa de canal.

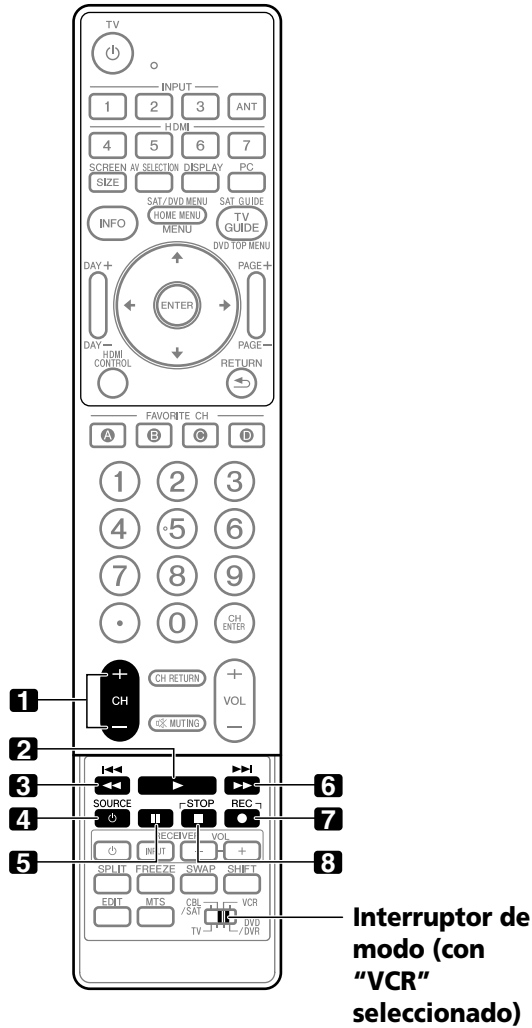
9 CH RETURN*

Cambia entre el canal actual y el canal que estaba viendo antes.

* Algunos fabricantes de convertidores de cables no preajustan **CH ENTER** y **CH RETURN**.

Nota

- No se pueden seleccionar CABLE y SAT al mismo tiempo.

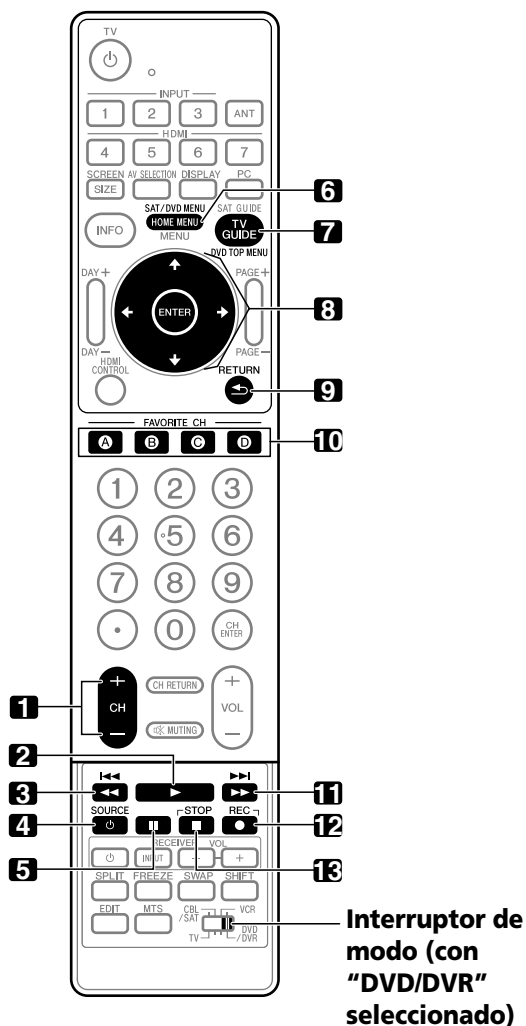


Botones de control de videgrabadora

Cuando se ajusta el **interruptor de modo** a VCR, se pueden operar las videgrabadoras conectadas a la pantalla con el mando a distancia.

- Pulse el botón selector de entrada INPUT 1 a INPUT 7 que corresponda al número del terminal de entrada al cual la videgrabadora está conectada y, a continuación, se puede operar la videgrabadora utilizando **1 a 8**.
- También se pueden operar las videgrabadoras fabricadas por otros fabricantes utilizando el mando a distancia si las señales de mando a distancia de los dispositivos han sido preajustadas. Consulte la página 83.

- 1 CH +/-**
Selecciona el canal en la videgrabadora.
- 2 ▶ (Reproducir)**
Selecciona la reproducción.
- 3 ◀◀ (Retrosceso)**
Retrocede la cinta y permite la búsqueda de imagen.
- 4 SOURCE**
Enciende y apaga la videgrabadora.
- 5 || (Pausa/Imagen fija)**
Establece una pausa en la reproducción y visualiza imágenes fijas.
- 6 ▶▶ (Avance rápido)**
Avanza rápidamente la cinta y permite la búsqueda de imagen.
- 7 ● (Grabar)**
Inicia la grabación.
- 8 ■ (Detener)**
Detiene el transporte de la cinta.



Interruptor de modo (con "DVD/DVR" seleccionado)

Botones de control DVD/DVR

Cuando se ajusta el **interruptor de modo** a DVD/DVR, se pueden operar los reproductores DVD, grabadoras DVD o reproductores BD conectados a la pantalla con el mando a distancia.

- Cuando se pulsa un botón selector de entrada que tenga el mismo número del terminal de entrada conectado al reproductor DVD, grabadora DVD o reproductor BD, se puede operar el reproductor/grabadora utilizando **1** a **13**.
- También se pueden operar reproductores DVD, grabadoras DVD, reproductores BD o reproductores HD-DVD fabricados por otros fabricantes utilizando el mando a distancia si las señales de mando a distancia de los dispositivos han sido preajustadas. Consulte la página 83.

1 **CH +/- (grabadora DVD solamente)**

Cambia el canal del sintonizador incorporado en la grabadora DVD.

2 **▶ (Reproducir)**

Selecciona la reproducción.

3 **◀◀ (Explorar)/◀◀◀ (Buscar Canal)**

Continúe pulsando para volver más. Pulse una vez rápidamente para ir al inicio del capítulo que está siendo reproducido actualmente. Cada vez que lo pulsa, vuelve al inicio del capítulo anterior.

4 **SOURCE**

Enciende y apaga el equipo.

5 **⏸ (Pausa/Imagen fija)**

Establece una pausa en la reproducción y visualiza imágenes fijas.

6 **DVD MENU**

Visualiza el menú DVD.

7 **DVD TOP MENU**

Visualiza el menú DVD inicial.

8 **ENTER, ↑/↓/←/→**

ENTER: Activa la función seleccionada.

↑/↓/←/→: Selecciona ítems en la pantalla DVD MENU.

9 **RETURN**

Cuando se visualice el menú DVD, restaura la pantalla anterior inmediatamente.

10 **A (AZUL), B (ROJO), C (VERDE), D (AMARILLO) (BD solamente)**

Controla la aplicación BD-J.

11 **▶▶ (Explorar)/▶▶▶ (Buscar Canal)**

Continúe pulsando para un avance rápido.

Pulse una vez rápidamente para ir al inicio del capítulo siguiente. Cada vez que lo pulsa, desplaza al inicio del capítulo subsiguiente.

12 **● (Grabar) (grabadora DVD solamente)**

Inicia la grabación.

13 **■ (Detener)**

Detiene la reproducción.

Con algunos reproductores DVD o grabadoras DVD, pulse el botón dos veces para abrir la bandeja de disco.

12, 13 **STOP REC (grabadora DVD solamente)**

Mantenga pulsado **●** y, a continuación, pulse **■** para detener la grabación. Esta operación sólo tiene efecto en grabadoras DVD Pioneer.

Nota

- No se puede seleccionar un reproductor DVD, grabadora DVD y reproductor BD al mismo tiempo.
- Para algunos reproductores LD, los botones en el mando a distancia funcionan como se indica arriba. Para los reproductores LD soportados, vea las marcas y códigos LD en la página 88.

Capítulo 15 Apéndice

Solución de problemas

Problema	Solución posible
GENERALIDADES	
<ul style="list-style-type: none"> No se enciende el sistema. 	<ul style="list-style-type: none"> ¿Está desconectado el cable de la alimentación? (Consulte la página 31.) ¿Ha sido ϕ activado? (Consulte la página 33.) Compruebe si pulsó TV ϕ a en el mando a distancia. (Consulte la página 33.) <p>Si el indicador en el sistema está encendido en rojo, pulse TV ϕ en el mando a distancia o STANDBY/ON en la pantalla de plasma.</p>
<ul style="list-style-type: none"> La alimentación se desconecta repentinamente. 	<ul style="list-style-type: none"> ¿Está el temporizador de apagado configurado? (Consulte la página 65.) Compruebe el ajuste del control de la alimentación. (Consulte la página 64.) La temperatura interna del sistema ha aumentado. Retire cualquier objeto que bloquee la ventilación o la limpieza. (Consulte la página 17.)
<ul style="list-style-type: none"> No se puede operar el sistema. 	<ul style="list-style-type: none"> Existen influencias externas como, por ejemplo, fallo de voltaje, la electricidad estática, etc., que pueden causar un funcionamiento incorrecto. En este caso, utilice el sistema después de haber apagado primero la pantalla de plasma, o desenchufando el cable de alimentación y enchufándolo de nuevo después de pasar uno ó dos minutos.
<ul style="list-style-type: none"> El mando a distancia no funciona. 	<ul style="list-style-type: none"> Verifique si el botón TV ϕ está desactivado. Active el botón cuando los indicadores POWER ON y STANDBY estén apagados. ¿Está el interruptor de modo ajustado correctamente? Ajústelo correctamente a TV. (Consulte la página 16.) ¿Están las pilas insertadas con la polaridades (+, -) bien alineadas? (Consulte la página 32.) ¿Están agotadas las pilas? (Cámbielas por pilas nuevas.) (Consulte la página 32.) Opere el mando a distancia apuntándolo hacia el sensor de mando a distancia de la pantalla de plasma. (Consulte la página 32.) ¿Lo está utilizando bajo una luz intensa o fluorescente? ¿Ilumina una luz fluorescente el sensor del mando a distancia? Verifique se hay obstáculos entre el mando a distancia y el sensor de mando a distancia.
<ul style="list-style-type: none"> El indicador POWER ON o el indicador STANDBY está parpadeando rápidamente. 	<ul style="list-style-type: none"> Puede que los circuitos internos de protección tengan sido activados. Primero desactive ϕ en la pantalla de plasma, espere un minuto o más y, a continuación, conecte de nuevo la alimentación activando ϕ. Si el indicador todavía está parpadeando, desenchufe el cable de alimentación de la pantalla de plasma de la toma de corriente. Espere uno a dos minutos y, a continuación, enchúfelo de nuevo en la pantalla de plasma. Si no se soluciona el problema con esto, póngase en contacto con la Compañía de Servicio Independiente Pioneer Autorizada más cercana, o con la División de Soporte al Cliente (vea la contracubierta).
IMAGEN/SONIDO	
<ul style="list-style-type: none"> No se visualiza ninguna imagen ni se genera ningún audio. 	<ul style="list-style-type: none"> Compruebe si la fuente de entrada para vídeo o PC ha sido seleccionada accidentalmente mientras desee visualizar un canal de TV. (Consulte la página 34.) Compruebe si ha activado la función de control paterno. (Consulte la página 44.) Introduzca una contraseña para cancelar temporalmente la función de control paterno. (Consulte la página 48.) Verifique la conexión de cable con la antena. (Consulte la página 30.) Verifique la conexión de cable con el otro equipo. (Consulte las páginas 70 a 75.)
<ul style="list-style-type: none"> No hay imagen. 	<ul style="list-style-type: none"> ¿Está correcta la conexión a otros componentes? (Consulte las páginas 70 a 75.) ¿Se está introduciendo una señal de PC incompatible? (Consulte la página 74.) ¿Está correcto el ajuste de la imagen? (Consulte la página 61.)
<ul style="list-style-type: none"> La pantalla aparece oscura. 	<ul style="list-style-type: none"> Verifique si hay obstáculos en la frente del sensor de luz ambiental. (Consulte la páginas 14 y 69.)
<ul style="list-style-type: none"> Sale sonido, pero no hay imágenes. 	<ul style="list-style-type: none"> Compruebe si ha seleccionado "Desactivar imagen" para "Ahorro de energía". Con esta opción seleccionada, la pantalla se desactiva; sólo se general el audio. Para restaurar la visualización de la pantalla, pulse cualquier botón que no sea VOL +/- y MUTING. (Consulte la página 64.)
<ul style="list-style-type: none"> Se visualizan las imágenes pero no se genera ningún audio. 	<ul style="list-style-type: none"> Compruebe si ha seleccionado el volumen mínimo. (Consulte la página 35.) Compruebe si ha silenciado el sonido. (Consulte la página 35.) Cuando utilice un vídeo o PC como la fuente de entrada, compruebe si el terminal de audio también está conectado. (Consulte las páginas 70 a 74.)
<ul style="list-style-type: none"> El sonido se revierte entre la derecha e izquierda. Sólo se genera el sonido por un altavoz. 	<ul style="list-style-type: none"> Compruebe si las conexiones de los cables de altavoz no están invertidas entre los canales derecho e izquierdo, o si el cable de altavoz de un de los altavoces no está desconectado. (Consulte la página 25.) ¿Se ha ajustado el balance correctamente? (Consulte la página 63.)
<ul style="list-style-type: none"> La imagen queda cortada. 	<ul style="list-style-type: none"> ¿Está correcta la posición de la imagen? (Consulte la página 66.) ¿Se ha seleccionado el tamaño de pantalla correcto? (Consulte la página 68.)
<ul style="list-style-type: none"> El color no está normal, color claro u oscuro, el color no está bien alineado. 	<ul style="list-style-type: none"> Ajuste el tono de la imagen. (Consulte la página 61.) ¿Está demasiado brillante la habitación? La imagen puede aparecer oscura en una habitación que está demasiado brillante.

Problema	Solución posible
<ul style="list-style-type: none"> Imagen remanente. 	<ul style="list-style-type: none"> Después de visualizar una imagen fija o una imagen muy brillante durante un cierto período de tiempo, si la pantalla cambia a una escena más oscura, puede que la imagen precedente aparezca como una imagen remanente. Se puede corregir esto reproduciendo una imagen en movimiento más brillante durante varios minutos. Sin embargo, visualizar una imagen fija durante largos períodos de tiempo excesivamente puede causar el deterioro permanente de la pantalla. Visualice la pantalla "Patrón de vídeo" para ayudar a reducir la imagen remanente. (Consulte la página 69.)
<ul style="list-style-type: none"> El brillo y tono de color en ambos lados difieren de los que aparecen en el centro en el modo 4:3. 	<ul style="list-style-type: none"> Si se visualizan imágenes en el modo 4:3 o imágenes tipo buzón durante largos períodos de tiempo, o por períodos más cortos durante varios días, una imagen remanente puede permanecer en la pantalla debido al efecto de quemado. Esto es una característica de las pantallas de plasma. Le recomendamos que disfrute de la visualización de imágenes en un modo de pantalla completa tanto como posible. (Consulte la página 67.) Le recomendamos que seleccione "Auto" para "Brillo sinc." en la configuración Máscara lateral. Esto ajusta el brillo de las máscaras laterales grises de acuerdo con el brillo de la imagen principal. (Consulte la página 68.)
Control HDMI	
<ul style="list-style-type: none"> Las funciones de Control HDMI no funcionan. 	<ul style="list-style-type: none"> Verifique si las conexiones están hechas correctamente entre la pantalla de plasma y el dispositivo que soporta las funciones de Control HDMI. (Consulte la página 80.) Verifique si ha hecho las configuraciones correctamente para "Configuración del Control HDMI". (Consulte la página 81.) Verifique si las configuraciones para las funciones de Control HDMI están efectivas en los dispositivos conectados. Para los detalles, consulte el manual de instrucciones que acompaña cada dispositivo.
<ul style="list-style-type: none"> No se visualiza ninguna imagen ni se genera ningún audio. 	<ul style="list-style-type: none"> Verifique si las conexiones están hechas correctamente entre la pantalla de plasma y el dispositivo que soporta las funciones de Control HDMI. (Consulte la página 80.) Verifique si ha hecho las configuraciones correctamente para "Configuración del Control HDMI". (Consulte la página 81.)
<ul style="list-style-type: none"> No hay imagen. 	<ul style="list-style-type: none"> Verifique si las conexiones están hechas correctamente entre la pantalla de plasma y el dispositivo que soporta las funciones de Control HDMI. (Consulte la página 80.) Verifique si ha hecho las configuraciones correctamente para "Configuración del Control HDMI". (Consulte la página 81.)
<ul style="list-style-type: none"> No hay sonido 	<ul style="list-style-type: none"> Verifique si las conexiones están hechas correctamente entre la pantalla de plasma y el dispositivo que soporta las funciones de Control HDMI. (Consulte la página 80.) Verifique si ha hecho las configuraciones correctamente para "Configuración del Control HDMI". (Consulte la página 81.) Verifique si tiene un sistema de AV controlador por HDMI conectado a un terminal HDMI y una grabadora o reproductor conectado a otro terminal HDMI en la pantalla de plasma. En este tipo de conexión la salida de audio desde la grabadora/reproductor no pasa a través del terminal SPDIF de la pantalla de plasma, no enviando el sonido al sistema de AV. Cuando utilice un sistema de AV y una grabadora o reproductor, asegúrese de conectar la grabadora o reproductor al terminal de entrada del sistema de AV.
<ul style="list-style-type: none"> El mensaje de error "El dispositivo no puede operarse. Compruebe la conexión." aparece. 	<ul style="list-style-type: none"> Verifique si las conexiones están hechas correctamente entre la pantalla de plasma y el dispositivo que soporta las funciones de Control HDMI. (Consulte la página 80.) Verifique si ha hecho las configuraciones correctamente para "Configuración del Control HDMI". (Consulte la página 81.)
OTROS	
<ul style="list-style-type: none"> No se puede obtener la guía de TV. 	<ul style="list-style-type: none"> Si no se puede obtener los datos de la guía de TV con ANTA seleccionado para la conexión de cable, seleccione ANT.B para modo sobre el aire. Además, intente hacer de nuevo la configuración de la guía de TV siguiendo el siguiente procedimiento (consulte la página 40): <ul style="list-style-type: none"> Seleccione "Antena" para "Seleccione servicio(s)" en la Pantalla 3. Seleccione "ANT B IN" en la Pantalla 4.
<ul style="list-style-type: none"> Un dispositivo externo conectado al puerto USB no funciona. 	<ul style="list-style-type: none"> Compruebe si se puede conectar el dispositivo a la pantalla. (Consulte la página 76.) Vuelva a insertar el cable USB. (Consulte la página 76.) Para la conexión, utilice un cable USB más corto que 5 m. (Consulte la página 76.) Compruebe que el cable USB esté conectado correctamente. (Consulte la página 76.) Primero apague la alimentación y, a continuación, enciéndala nuevamente para verificar si el dispositivo externo funciona correctamente. Compruebe que el dispositivo externo funcione correctamente después de reiniciar el dispositivo USB. Compruebe que la cámara digital esté en el modo de visualización. Consulte el manual de instrucciones de la cámara digital.
<ul style="list-style-type: none"> Los datos de foto almacenados en una cámara digital no pueden leerse a través de la interfaz USB. 	<ul style="list-style-type: none"> Compruebe si se puede conectar el dispositivo a la pantalla. (Consulte la página 76.) Compruebe que la cámara digital esté encendida.
<ul style="list-style-type: none"> Sonidos/ruidos del panel 	<ul style="list-style-type: none"> Sonidos generados por el panel como, por ejemplo: Ruido del motor del ventilador, zumbido del circuito eléctrico y zumbido del panel de vidrio son normales en una pantalla con matriz basada en fósforo.
<ul style="list-style-type: none"> La pantalla visualiza un brillo irregular en los lados. 	<ul style="list-style-type: none"> Se minimiza el contenido que rellena completamente la pantalla hasta la irregularidad. Puede que algunas señales requieran el cambio de la configuración del modo AV. (Consulte la página 67.)

Si se visualizan los siguientes códigos de error en la pantalla, verifique los ítems correspondientes en la tabla.

Código	Mensaje	Comprobación
SD04 y SD11	Apagando. Temperatura interna demasiado elevada. Compruebe la temperatura alrededor de PDP.	Compruebe si la temperatura ambiente de la pantalla de plasma está alta.
SD05	Circuito protección interna apaga aparato. ¿Hay un cortocircuito en el cable de altavoz?	Compruebe las conexiones de los cables de altavoz entre la pantalla de plasma y los altavoces.

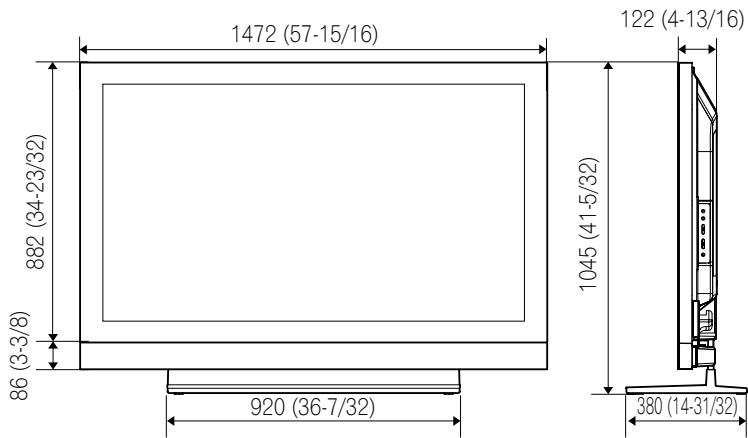
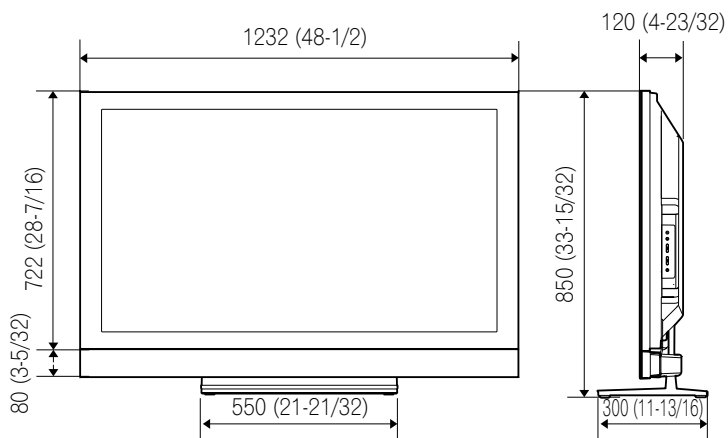
Especificaciones

Ítem	Pantalla de plasma de 60" modelo: PDP-6010FD	Pantalla de plasma de 50" modelo: PDP-5010FD	
Número de píxeles	1920 × 1080 píxeles		
Amplificador de audio	17 W + 17 W (1 kHz, 10 %, 6 Ω)		
Altavoces	Woofer: tipo cónico de 4,8 cm x 13 cm Tweeter: Tipo semicúpula de 2,5 cm	Woofer: tipo cónico de 4,8 cm x 13 cm Tweeter: Tipo semicúpula de 2,5 cm	
Efecto sonido	SRS FOCUS/SRS/SRS TruBass		
Requisitos de energía	120 V CA, 60 Hz, 532 W (20 W Modo de espera)	120 V CA, 60 Hz, 442 W (26 W Modo de espera)	
Peso	Unidad principal: 55,5 kg (122,4 libras) Soporte: 5,9 kg (13,1 libras) (incluyendo los pernos) Sistema de altavoces: 4,8 kg (10,6 libras) (incluyendo cables, accesorios de montaje y tornillos) Total: 66,2 kg (145,9 libras)	Unidad principal: 38,5 kg (84,9 libras) Soporte: 2,2 kg (4,9 libras) (incluyendo los pernos) Sistema de altavoces: 3,3 kg (7,3 libras) (incluyendo cables, accesorios de montaje y tornillos) Total: 44,0 kg (97 libras)	
Sistema de recepción (Digital)	Sistema de TV digital ATSC		
Tipo de circuito	Demodulación 8VSB/64QAM/256QAM/QPSK		
Sintonizador VHF/UHF	Canales VHF 2 a 13, canales UHF 14 a 69		
CATV	Canales 2 a 135		
Formato de audio	Dolby Digital		
Sistema de recepción (Análogica)	Sistema NTSC patrón de TV Americano		
Tipo de circuito	Detección de señal de vídeo, detección síncrona completa PLL, sistema de sintetizador digital PLL		
Sintonizador VHF/UHF	Canales VHF 2 a 13, canales UHF 14 a 69		
CATV	ANT/CABLE A IN Canales 1 a 135 ANT B IN Canales 1 a 125		
Múltiplex de audio	Sistema BTSC		
Terminales	Parte trasera	ANT/CABLE A IN	75 Ω UNBAL, tipo F para entrada DTV/VHF/UHF/CATV
		ANT B IN	75 Ω UNBAL, tipo F para entrada VHF/UHF/CATV
		INPUT 1	Entrada S-VIDEO, entrada VIDEO, entrada AUDIO
		INPUT 2	Entrada COMPONENT VIDEO, entrada VIDEO, entrada AUDIO
		INPUT 4	Entrada HDMI*, entrada AUDIO
		PC INPUT	Entrada RGB analógica, entrada AUDIO
		INPUT 5	Entrada HDMI*, entrada AUDIO
		INPUT 6	Entrada HDMI*
		INPUT 7	Entrada HDMI*
		AUDIO OUT	Salida AUDIO (Fija)
		DIGITAL OUT	Óptica
		CONTROL OUT	1
		SPEAKERS	6 Ω a 16 Ω
		SUB WOOFER	Variable
		CableCARD	POD (Point of Deployment)
	Lado		INPUT 3
		PHONES	16 Ω a 32 Ω recomendable
		USB	Entrada USB**
Idiomas de visualización en la pantalla	Inglés/Francés/Español		


* Esto cumple con HDMI1.3 y HDCP1.1.
HDMI (High Definition Multimedia Interface) es una interfaz digital que manipula tanto vídeo como audio utilizando un único cable.
HDCP (High-bandwidth Digital Content Protection) es una tecnología utilizada para proteger los contenidos digitales protegidos por derechos de autor que utilizan la interfaz Digital Visual Interface (DVI).

** Esto cumple con USB1.1 y 2.0.

• El diseño y las especificaciones están sujetos a cambios sin previo aviso.

Dimensiones**PDP-6010FD****Unidad: mm (pulgada)****PDP-5010FD****Unidad: mm (pulgada)**

Marcas registradas

- En los Estados Unidos, TV Guide y otras marcas relacionadas son marcas registradas de Gemstar-TV Guide International, Inc. y/o una de sus compañías afiliadas. En Canadá, TV Guide es una marca registrada de Transcontinental, Inc. y se utiliza bajo licencia por Gemstar-TV Guide International, Inc.
-  es una marca registrada de SRS Labs, Inc.
- WOW tecnología esta incorporada bajo licencia de SRS Labs, Inc.
- Fabricado bajo licencia de Dolby Laboratories. "Dolby" y el símbolo de la doble D son marcas comerciales de Dolby Laboratories.
- HDMI, el logotipo HDMI, y High-Definition Multimedia Interface son marcas comerciales o marcas registradas de HDMI Licensing LLC.
- Este producto incluye fuentes FontAvenue® bajo licencia de NEC Corporation. FontAvenue es una marca registrada de NEC Corporation.
- DDC es una marca registrada de Video Electronics Standards Association.
- CableCARD es una marca registrada de Cable Television Laboratories, Inc.
- Este software está basado en parte en el trabajo del grupo JPEG independiente.
- Los nombres de las compañías o instituciones son los nombres comerciales o marcas registradas de las respectivas compañías o instituciones.

Licencia

- El sistema TV Guide On Screen es fabricado bajo licencia de Gemstar-TV Guide International, Inc. y/o una de sus compañías afiliadas.

Patente

- El sistema TV Guide On Screen está protegido por una o más de la siguientes patentes de Estados Unidos 4,908,713; 6,498,895; 6,850,693; 6,396,546; 5,940,073; 6,239,794 de Gemstar-TV Guide International, Inc. y/o una de sus compañías afiliadas.

Aviso de exención de responsabilidad

- Gemstar-TV Guide International Inc. y/o sus compañías afiliadas no se harán responsables de ninguna forma por la precisión o disponibilidad de la información de la programación u otros datos en el sistema TV Guide On Screen, y no pueden garantizar la disponibilidad del servicio en su área. En ninguna circunstancia Gemstar-TV Guide International, Inc. y/o sus compañías afiliadas se harán responsables por daños en conexión con la precisión o disponibilidad de la información de la programación u otros datos en el sistema TV Guide On Screen.

Aviso importante acerca de actualización de software de Pioneer

Atención propietarios de PDP Pioneer:

Gracias por su compra de un televisor plasma Pioneer compatible con el sistema Digital Cable Ready (DCR).

Usted ha adquirido el producto más avanzado de este tipo disponible actualmente.

Sin embargo, como la tecnología avanza, los sistemas DCR pueden continuar desarrollándose. Para mantener la compatibilidad con los sistemas DCR y beneficiarse de todas funciones de su televisor plasma, puede que se requiera la actualización del software.

Como parte de nuestro compromiso con nuestros clientes, Pioneer enviará el software de actualización e instrucciones que resulten necesarios para mantener su televisor plasma compatible con el sistema DCR actualizado con esta tecnología.

Registre por favor su Televisor de Plasma compatible con DCR en

www.pioneerelectronics.com

Este registro nos permitirá mantenerle actualizado acerca de los cambios que pueden ocurrir.

Muchas gracias.

Nota:

La función DCR sólo funcionará en los Estados Unidos.

La función DCR no funcionará en Canadá.

Publicado por Pioneer Corporation.

Copyright © 2007 Pioneer Corporation.

Todos los derechos reservados.

Should this product require service in the U.S.A. and you wish to locate the nearest Pioneer Authorized Independent Service Company, or if you wish to purchase replacement parts, operating instructions, service manuals, or accessories, please call the number shown below.

8 0 0 - 4 2 1 - 1 6 2 5

Please do not ship your product to Pioneer without first calling the Customer Support Division at the above listed number for assistance.

Pioneer Electronics (USA) Inc.
Customer Support Division
P.O. BOX 1760, Long Beach,
CA 90801-1760, U.S.A.

For warranty information please see the Limited Warranty sheet included with your product.

Should this product require service in Canada, please contact a Pioneer Canadian Authorized Dealer to locate the nearest Pioneer Authorized Service Company in Canada.

Alternatively, please contact the Customer Satisfaction Department at the following address:

Pioneer Electronics of Canada, Inc.
Customer Satisfaction Department
300 Allstate Parkway, Markham, Ontario L3R 0P2
1-877-283-5901
905-479-4411

For warranty information please see the Limited Warranty sheet included with your product.

Si ce produit doit être réparé au Canada, veuillez vous adresser à un distributeur autorisé Pioneer du Canada pour obtenir le nom du Centre de Service Autorisé Pioneer le plus près de chez-vous. Vous pouvez aussi contacter le Service à la clientèle de Pioneer:

Pioneer Électroniques du Canada, Inc.
Service Clientèle
300, Allstate Parkway, Markham, Ontario L3R 0P2
1-877-283-5901
905-479-4411

Pour obtenir des renseignements sur la garantie, veuillez vous reporter au feuillet sur la garantie restreinte qui accompagne le produit.

S018_B_EF

Register Your Product on

<http://www.pioneerelectronics.com> (US)

<http://www.pioneerelectronics.ca> (Canada)

Enregistrez votre appareil sur:

<http://www.pioneerelectronics.com> (États-Unis)

<http://www.pioneerelectronics.ca> (Canada)

PIONEER CORPORATION

4-1, Meguro 1-Chome, Meguro-ku, Tokyo 153-8654, Japan

PIONEER ELECTRONICS (USA) INC.

P.O. BOX 1540, Long Beach, California 90801-1540, U.S.A. TEL: (800) 421-1404

PIONEER ELECTRONICS OF CANADA, INC.

300 Allstate Parkway, Markham, Ontario L3R 0P2, Canada TEL: 1-877-283-5901, 905-479-4411

PIONEER EUROPE NV

Haven 1087, Keetberglaan 1, B-9120 Melsele, Belgium TEL: 03/570.05.11

PIONEER ELECTRONICS ASIACENTRE PTE. LTD.

253 Alexandra Road, #04-01, Singapore 159936 TEL: 65-6472-7555

PIONEER ELECTRONICS AUSTRALIA PTY. LTD.

178-184 Boundary Road, Braeside, Victoria 3195, Australia, TEL: (03) 9586-6300

PIONEER ELECTRONICS DE MEXICO S.A. DE C.V.

Blvd.Manuel Avila Camacho 138 10 piso Col.Lomas de Chapultepec, Mexico,D.F. 11000 TEL: 55-9178-4270

K002_B_En



Published by Pioneer Corporation.
Copyright © 2007 Pioneer Corporation.
All rights reserved.

Publication de Pioneer Corporation.
© 2007 Pioneer Corporation.
Tous droits de reproduction et de traduction réservés.

Printed on recycled paper.
Imprimé sur du papier recyclé.
Impreso en papel reciclado.

<07F00001>

<ARE1487-A>

Printed in Japan
Imprimé en Japon