

37" Wide LCD HDTV

Rev.00



Feature & Specifications

<VIDEO>

- 37" TFT WXGA LCD Screen 16 : 9
- CPE (Clear Pix Engine)
- Pixel Resolution 1,049,088 (1366 x 768)
- Displayable Colors 16.77 Mil
- Response Speed 8ms
- Contrast Ratio 1000 : 1
- Brightness 500 cd/m2
- Horizontal Viewing Angle 176°
- 3D Y/C Comb Filter
- Picture Control
(Contrast, Brightness, Color, Tint, Sharpness)

<TV>

- Built-In ATSC/NTSC Tuner
- Automatic Channel Preset
- MTS Stereo, SAP Sound System
- Closed Caption Decoder
- V-Chip Function

<CONVENIENCE>

- Trilingual On Screen Display
(English / Spanish / French)
- Sleep Timer (up to 90 min.)
- Resume Function
- All Function Remote Control
- Wall Mounting Holes**
(Recommended Mounting Kit: Omni Mount U2 TILT)

<INPUT/OUTPUT>

- HDMI (Ver 1.0) 1set
- Component Video Input 2sets
- S-Video Input 2sets
- Composite Video Input 2sets
- Audio Input 5sets
- Audio Output (L/R) 1set
- Digital Audio Output (Coaxial) 1set
- Audio Output Power 5W + 5W

<WEIGHT & DIMENSIONS>

- Weight: 53 lbs.
- Dimensions (WxDxH): 37.4 x 12.82 x 28.32 "
- Weight with Packing: 62 lbs.
- Dimensions with Packing (WxDxH):
42.21 x 16.57 x 33.53 "
- Owner's Manual Printed In English & Spanish
- UL Listed, FCC/DHHS Certified
- UPC Code# : **053818640357**

<CONTAINER LOAD>

- 20ft : 54 units
- 40ft : 110 units
- 40ft-HC : 165 units



High Definition Off Air Reception
You can enjoy HD Broadcasting Program



HDMI is advanced interface which can receive
video and audio signals in one cable

*ALL DESIGN SPECIFICATIONS AND DIMENSIONS ARE TENTATIVE AND SUBJECT TO CHANGE.
PLEASE CONFIRM SPECIFIC FEATURES AND EXACT SPECIFICATIONS BY REFERENCE TO THE ACTUAL PRODUCT.

**FUNAI IS NOT RESPONSIBLE FOR ANY DAMAGES CAUSED BY THE USE OF WALL MOUNTING DEVICE
THAT ARE NOT SPECIFIED IN THIS LEAFLET.

www.sylvaniaconsumerelectronics.com/
www.funai.us/

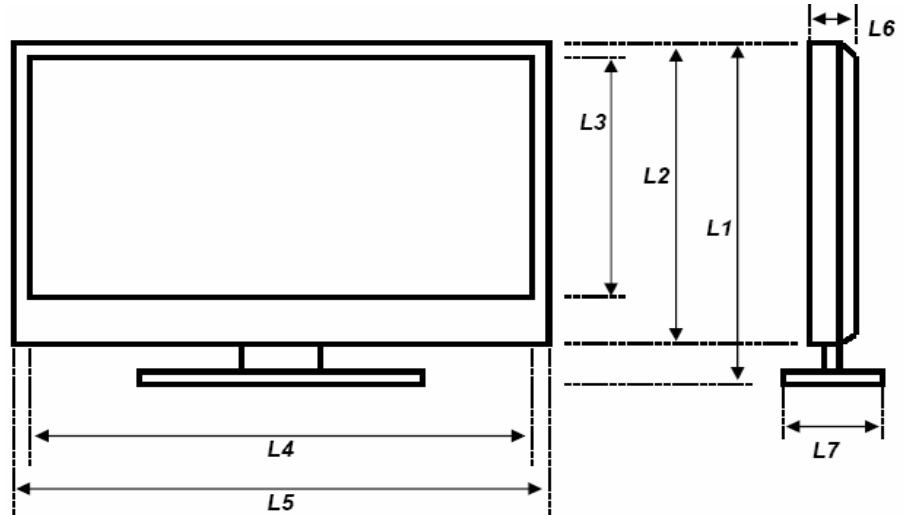
FUNAI CORPORATION
201 ROUTE 17 NORTH, SUITE 903
RUTHERFORD, NJ 07070

TELEPHONE: 800-966-3862

37" Wide LCD HDTV

Rev.00

Dimensions



Product Dimensions (Millimeters)

L1	718
L2	674
L3	464
L4	822
L5	948
L6	120
L7	325

Net Weight 24kg

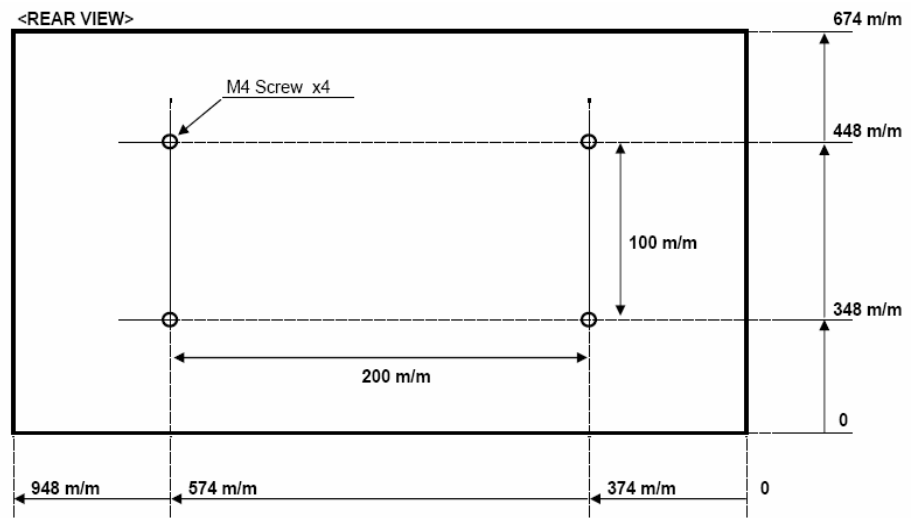
Product Dimensions (Inches)

L1	28.32
L2	26.59
L3	18.30
L4	32.43
L5	37.40
L6	4.73
L7	12.82

Net Weight 53 lbs

Wall-mounting Holes

<REAR VIEW>



*ALL DESIGN SPECIFICATIONS AND DIMENSIONS ARE TENTATIVE AND SUBJECT TO CHANGE.
PLEASE CONFIRM SPECIFIC FEATURES AND EXACT SPECIFICATIONS BY REFERENCE TO THE ACTUAL PRODUCT.

www.sylvaniaconsumerelectronics.com/
www.funai.us/

FUNAI CORPORATION
201 ROUTE 17 NORTH, SUITE 903
RUTHERFORD, NJ 07070
TELEPHONE: 800-966-3862