

SHARP®

AQUOS

LC-40LE810UN
LC-46LE810UN
LC-52LE810UN
LC-60LE810UN

LIQUID CRYSTAL TELEVISION
TÉLÉVISEUR ACL
TELEVISOR CON PANTALLA
DE CRISTAL LÍQUIDO

OPERATION MANUAL
MODE D'EMPLOI
MANUAL DE OPERACIÓN



ENGLISH

FRANÇAIS

ESPAÑOL



NOM 1245



IMPORTANT : Please read this operation manual before starting operating the equipment.
IMPORTANT : Veuillez lire ce mode d'emploi avant de commencer à utiliser l'appareil.
IMPORTANTE : Lea este manual de operación antes de comenzar a operar el equipo.

LC-40LE810UN

LC-46LE810UN

LC-52LE810UN

LC-60LE810UN

LIQUID CRYSTAL TELEVISION

ENGLISH

OPERATION MANUAL

IMPORTANT:

To aid reporting in case of loss or theft, please record the TV's model and serial numbers in the space provided. The numbers are located at the rear of the TV.

Model No.:

Serial No.:

IMPORTANT INFORMATION

WARNING: TO REDUCE THE RISK OF FIRE OR ELECTRIC SHOCK, DO NOT EXPOSE THIS PRODUCT TO RAIN OR MOISTURE.



CAUTION

RISK OF ELECTRIC SHOCK
DO NOT OPEN



CAUTION: TO REDUCE THE RISK OF ELECTRIC SHOCK,
DO NOT REMOVE COVER (OR BACK).
NO USER-SERVICEABLE PARTS INSIDE.
REFER SERVICING TO QUALIFIED SERVICE
PERSONNEL.



The lightning flash with arrow-head symbol, within an equilateral triangle, is intended to alert the user to the presence of uninsulated "dangerous voltage" within the product's enclosure that may be of sufficient magnitude to constitute a risk of electric shock to persons.



The exclamation point within a triangle is intended to alert the user to the presence of important operating and maintenance (servicing) instructions in the literature accompanying the product.

CAUTION: TO PREVENT ELECTRIC SHOCK, MATCH WIDE BLADE OF PLUG TO WIDE SLOT, FULLY INSERT.

IMPORTANT INFORMATION

WARNING: FCC Regulations state that any unauthorized changes or modifications to this equipment not expressly approved by the manufacturer could void the user's authority to operate this equipment.

CAUTION:

This product satisfies FCC regulations when shielded cables and connectors are used to connect the unit to other equipment. To prevent electromagnetic interference with electric appliances such as radios and televisions, use shielded cables and connectors for connections.

DECLARATION OF CONFORMITY:

SHARP LIQUID CRYSTAL TELEVISION, MODEL LC-40LE810UN/LC-46LE810UN/LC-52LE810UN/LC-60LE810UN
This device complies with Part 15 of the FCC Rules. Operation is subject to the following two conditions:
(1) This device may not cause harmful interference, and (2) this device must accept any interference received, including interference that may cause undesired operation.

RESPONSIBLE PARTY:

SHARP ELECTRONICS CORPORATION
Sharp Plaza, Mahwah, New Jersey 07495-1163
TEL: 1-800-BE-SHARP

For Business Customers: URL <http://www.sharppusa.com>

INFORMATION:

This equipment has been tested and found to comply with the limits for a Class B digital device, pursuant to Part 15 of the FCC Rules. These limits are designed to provide reasonable protection against harmful interference in a residential installation. This equipment generates, uses and can radiate radio frequency energy and, if not installed and used in accordance with the instructions, may cause harmful interference to radio communications. However, there is no guarantee that interference will not occur in a particular installation. If this equipment does cause harmful interference to radio or television reception, which can be determined by turning the equipment off and on, the user is encouraged to try to correct the interference by one or more of the following measures:

- Reorient or relocate the receiving antenna.
- Increase the separation between the equipment and receiver.
- Connect the equipment into an outlet on a circuit different from that to which the receiver is connected.
- Consult the dealer or an experienced radio/TV technician for help.

"Note to CATV system installer: This reminder is provided to call the CATV system installer's attention to Article 820-40 of the National Electrical Code that provides guidelines for proper grounding and, in particular, specifies that the cable ground shall be connected to the grounding system of the building, as close to the point of cable entry as practical."

This product qualifies for ENERGY STAR when "Home" is selected for "TV Location".
Setting "TV Location" to "Home" allows the TV to achieve an energy-saving status for household use.

Trademarks

- Manufactured under license from Dolby Laboratories. Dolby and the double-D symbol are trademarks of Dolby Laboratories.

- "HDMI, the HDMI logo and High-Definition Multimedia Interface are trademarks or registered trademarks of HDMI Licensing LLC."

- Products that have earned the ENERGY STAR® are designed to protect the environment through superior energy efficiency.

- LCフォント、LC FONT、エルシーフォント and LC logo mark are registered trademarks of SHARP Corporation. This product is embedded with LC Font technology, which was developed by SHARP Corporation for clearly displaying easy-to-read characters on LCD screens. However, other fonts are used for some screen pages, too.

- "x.v.Color" and **x.v.Color** are trademarks of Sony Corporation.

- Netflix and the Netflix logo are the registered trademarks of Netflix, Inc.

DEAR SHARP CUSTOMER

Thank you for your purchase of the Sharp Liquid Crystal Television. To ensure safety and many years of trouble-free operation of your product, please read the Important Safety Instructions carefully before using this product.

IMPORTANT SAFETY INSTRUCTIONS

Electricity is used to perform many useful functions, but it can also cause personal injuries and property damage if improperly handled. This product has been engineered and manufactured with the highest priority on safety. However, improper use can result in electric shock and/or fire. In order to prevent potential danger, please observe the following instructions when installing, operating and cleaning the product. To ensure your safety and prolong the service life of your Liquid Crystal Television, please read the following precautions carefully before using the product.

- 1) Read these instructions.
- 2) Keep these instructions.
- 3) Heed all warnings.
- 4) Follow all instructions.
- 5) Do not use this apparatus near water.
- 6) Clean only with dry cloth.
- 7) Do not block any ventilation openings. Install in accordance with the manufacturer's instructions.
- 8) Do not install near any heat sources such as radiators, heat registers, stoves, or other apparatus (including amplifiers) that produce heat.
- 9) Do not defeat the safety purpose of the polarized or grounding-type plug. A polarized plug has two blades with one wider than the other. A grounding type plug has two blades and a third grounding prong. The wide blade or the third prong are provided for your safety. If the provided plug does not fit into your outlet, consult an electrician for replacement of the obsolete outlet.
- 10) Protect the power cord from being walked on or pinched particularly at plugs, convenience receptacles, and the point where they exit from the apparatus.
- 11) Only use attachments/accessories specified by the manufacturer.
- 12) Use only with the cart, stand, tripod, bracket, or table specified by the manufacturer, or sold with the apparatus. When a cart is used, use caution when moving the cart/apparatus combination to avoid injury from tip-over.
- 13) Unplug this apparatus during lightning storms or when unused for long periods of time.
- 14) Refer all servicing to qualified service personnel. Servicing is required when the apparatus has been damaged in any way, such as power-supply cord or plug is damaged, liquid has been spilled or objects have fallen into the apparatus, the apparatus has been exposed to rain or moisture, does not operate normally, or has been dropped.



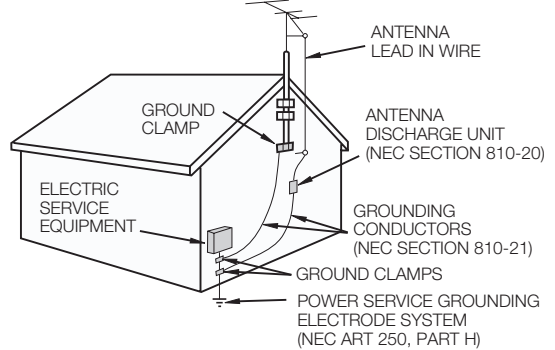
Additional Safety Information

- 15) Power Sources—This product should be operated only from the type of power source indicated on the marking label. If you are not sure of the type of power supply to your home, consult your product dealer or local power company. For products intended to operate from battery power, or other sources, refer to the operating instructions.
- 16) Overloading—Do not overload wall outlets, extension cords, or integral convenience receptacles as this can result in a risk of fire or electric shock.
- 17) Object and Liquid Entry—Never push objects of any kind into this product through openings as they may touch dangerous voltage points or short-out parts that could result in a fire or electric shock. Never spill liquid of any kind on the product.
- 18) Damage Requiring Service—Unplug this product from the wall outlet and refer servicing to qualified service personnel under the following conditions:
 - a) When the AC cord or plug is damaged,
 - b) If liquid has been spilled, or objects have fallen into the product,
 - c) If the product has been exposed to rain or water,
 - d) If the product does not operate normally by following the operating instructions.
Adjust only those controls that are covered by the operating instructions as an improper adjustment of other controls may result in damage and will often require extensive work by a qualified technician to restore the product to its normal operation,
 - e) If the product has been dropped or damaged in any way, and
 - f) When the product exhibits a distinct change in performance - this indicates a need for service.
- 19) Replacement Parts—When replacement parts are required, be sure the service technician has used replacement parts specified by the manufacturer or have the same characteristics as the original part. Unauthorized substitutions may result in fire, electric shock, or other hazards.
- 20) Safety Check—Upon completion of any service or repairs to this product, ask the service technician to perform safety checks to determine that the product is in proper operating condition.
- 21) Wall or ceiling mounting—When mounting the product on a wall or ceiling, be sure to install the product according to the method recommended by the manufacturer.

IMPORTANT SAFETY INSTRUCTIONS

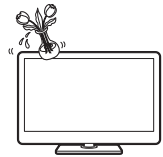
- **Outdoor Antenna Grounding** — If an outside antenna is connected to the television equipment, be sure the antenna system is grounded so as to provide some protection against voltage surges and built-up static charges. Article 810 of the National Electrical Code, ANSI/NFPA 70, provides information with regard to proper grounding of the mast and supporting structure, grounding of the lead-in wire to an antenna discharge unit, size of grounding conductors, location of antenna-discharge unit, connection to grounding electrodes, and requirements for the grounding electrode.

EXAMPLE OF ANTENNA GROUNDING AS PER NATIONAL ELECTRICAL CODE, ANSI/NFPA 70



NEC — NATIONAL ELECTRICAL CODE

- **Water and Moisture** — Do not use this product near water - for example, near a bath tub, wash bowl, kitchen sink, or laundry tub; in a wet basement; or near a swimming pool; and the like.
- **Stand** — Do not place the product on an unstable cart, stand, tripod or table. Placing the product on an unstable base can cause the product to fall, resulting in serious personal injuries as well as damage to the product. Use only a cart, stand, tripod, bracket or table recommended by the manufacturer or sold with the product. When mounting the product on a wall, be sure to follow the manufacturer's instructions. Use only the mounting hardware recommended by the manufacturer.
- **Selecting the location** — Select a place with no direct sunlight and good ventilation.
- **Ventilation** — The vents and other openings in the cabinet are designed for ventilation. Do not cover or block these vents and openings since insufficient ventilation can cause overheating and/or shorten the life of the product. Do not place the product on a bed, sofa, rug or other similar surface, since they can block ventilation openings. This product is not designed for built-in installation; do not place the product in an enclosed place such as a bookcase or rack, unless proper ventilation is provided or the manufacturer's instructions are followed.
- The Liquid Crystal panel used in this product is made of glass. Therefore, it can break when the product is dropped or applied with impact. Be careful not to be injured by broken glass pieces in case the panel breaks.
- **Heat** — The product should be situated away from heat sources such as radiators, heat registers, stoves, or other products (including amplifiers) that produce heat.
- The Liquid Crystal panel is a very high technology product with 2,073,600 pixels, giving you fine picture details. Occasionally, a few non-active pixels may appear on the screen as a fixed point of blue, green or red. Please note that this does not affect the performance of your product.
- **Lightning** — For added protection for this television equipment during a lightning storm, or when it is left unattended and unused for long periods of time, unplug it from the wall outlet and disconnect the antenna. This will prevent damage to the equipment due to lightning and power-line surges.
- **Power Lines** — An outside antenna system should not be located in the vicinity of overhead power lines or other electric light or power circuits, or where it can fall into such power lines or circuits. When installing an outside antenna system, extreme care should be taken to keep from touching such power lines or circuits as contact with them might be fatal.
- To prevent fire, never place any type of candle or flames on the top or near the TV set.
- To prevent fire or shock hazard, do not place the AC cord under the TV set or other heavy items.
- Do not display a still picture for a long time, as this could cause an afterimage to remain.
- To prevent fire or shock hazard, do not expose this product to dripping or splashing.
- No objects filled with liquids, such as vases, should be placed on the product.
- Do not insert foreign objects into the product. Inserting objects in the air vents or other openings may result in fire or electric shock. Exercise special caution when using the product around children.



Precautions when transporting the TV

- When transporting the TV, never carry it by holding or otherwise putting pressure onto the display. Be sure to always carry the TV by two people holding it with two hands — one hand on each side of the TV.

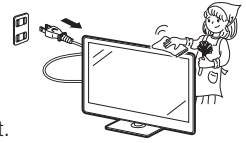
Caring for the Cabinet

- Use a soft cloth (cotton, flannel, etc.) and gently wipe the surface of the cabinet.
 - Using a chemical cloth (wet/dry sheet type cloth, etc.) may deform the components of the main unit cabinet or cause cracking.
 - Wiping with a hard cloth or using strong force may scratch the surface of the cabinet.
 - If the cabinet is very dirty, wipe with a soft cloth (cotton, flannel, etc.) soaked in neutral detergent diluted with water and thoroughly wrung out, and then wipe with a soft dry cloth.
 - The cabinet is primarily made of plastic. Avoid using benzene, thinner, and other solvents, as these may deform the cabinet and cause the paint to peel off.
 - Do not apply insecticides or other volatile liquids.
- Also, do not allow the cabinet to remain in contact with rubber or vinyl products for a long period of time. Plasticizers inside the plastic may cause the cabinet to deform and cause the paint to peel off.

IMPORTANT SAFETY INSTRUCTIONS

Caring for the Liquid Crystal panel

- Turn off the main power and unplug the AC cord from the wall outlet before handling.
- Gently wipe the surface of the display panel with a soft cloth (cotton, flannel, etc.). To protect the display panel, do not use a dirty cloth, liquid cleaners, or a chemical cloth (wet/dry sheet type cloth, etc.). This may damage the surface of the display panel.
- Wiping with a hard cloth or using strong force may scratch the surface of the display panel.
- Use a soft damp cloth to gently wipe the display panel when it is really dirty. (It may scratch the surface of the display panel when wiped strongly.)
- If the display panel is dusty, use an anti-static brush, which is commercially available, to clean it.
- To avoid scratching the frame or screen, please use a soft, lint free cloth for cleaning. Approved cleaning cloths are available directly from Sharp in single (00Z-LCD-CLOTH) or triple (00Z-LCD-CLOTH-3) packs. Call 1-800-BE-SHARP for ordering, or VISIT <http://www.sharpsusa.com/SharpDirect>.



CHILD SAFETY:

It Makes A Difference How and Where You Use Your Flat Panel Display

Congratulations on your purchase! As you enjoy your new product, please keep these safety tips in mind:



THE ISSUE

- The home theater entertainment experience is a growing trend and larger flat panel displays are popular purchases. However, flat panel displays are not always supported on the proper stands or installed according to the manufacturer's recommendations.
- Flat panel displays that are inappropriately situated on dressers, bookcases, shelves, desks, speakers, chests or carts may fall over and cause injury.

THIS MANUFACTURER CARES!

- The consumer electronics industry is committed to making home entertainment enjoyable and safe.

TUNE INTO SAFETY

- One size does NOT fit all. Follow the manufacturer's recommendations for the safe installation and use of your flat panel display.
- Carefully read and understand all enclosed instructions for proper use of this product.
- Don't allow children to climb on or play with furniture and television sets.
- Don't place flat panel displays on furniture that can easily be used as steps, such as a chest of drawers.
- Remember that children can become excited while watching a program, especially on a "larger than life" flat panel display. Care should be taken to place or install the display where it cannot be pushed, pulled over, or knocked down.
- Care should be taken to route all cords and cables connected to the flat panel display so that they cannot be pulled or grabbed by curious children.



WALL MOUNTING: IF YOU DECIDE TO WALL MOUNT YOUR FLAT PANEL DISPLAY, ALWAYS:

- Use a mount that has been recommended by the display manufacturer and/or listed by an independent laboratory (such as UL, CSA, ETL).
- Follow all instructions supplied by the display and wall mount manufacturers.
- If you have any doubts about your ability to safely install your flat panel display, contact your retailer about professional installation.
- Make sure that the wall where you are mounting the display is appropriate. Some wall mounts are not designed to be mounted to walls with steel studs or old cinder block construction. If you are unsure, contact a professional installer.
- A minimum of two people are required for installation. Flat panel displays can be heavy.



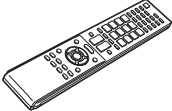

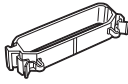


Note: CEA is the preeminent trade association promoting growth in the \$161 billion U.S. consumer electronics industry. More than 2,200 companies enjoy the benefits of CEA membership, including legislative advocacy, market research, technical training and education, industry promotion and the fostering of business and strategic relationships.

Contents

| | | | |
|---|-------|---|-------|
| IMPORTANT INFORMATION | 1 | On-Screen Display Menu | |
| Trademarks | 2 | On-Screen Display Menu Operation | 22 |
| DEAR SHARP CUSTOMER | 3 | Menu Operation Buttons | 22 |
| IMPORTANT SAFETY INSTRUCTIONS | 3-5 | Menu Items | 23 |
| Supplied Accessories | 7 | Picture Settings | 24-25 |
| QUICK REFERENCE | | Audio Settings | 26 |
| Attaching the Stand | 7 | Power Control | 27 |
| QUICK INSTALLATION TIPS | 8 | System Options | 28-30 |
| Using the Remote Control Unit | 8 | Initial Setup | 30-33 |
| Preparation | | Information | 34-36 |
| Antennas | 9 | Enjoying Photo and Music Playback | |
| Installing Batteries in the Remote Control Unit | 9 | Viewing Photos and Listening to Music | 37 |
| Part Names | | Photo Mode | 38-39 |
| TV (Front) | 10 | Music Mode | 40 |
| TV (Rear) | 10 | USB Memory Device Compatibility | 40 |
| Remote Control Unit | 11 | Other Viewing Options | |
| Introduction to Connections | | Presetting Remote Control Function | 41 |
| Experiencing HD Images | 12 | Operating the Connected Equipment | 41-42 |
| Types of Connection | 12 | Using AQUOS LINK | |
| Displaying an External Equipment Image | 12 | Controlling HDMI Equipment | |
| Connecting to External Equipment | | Using AQUOS LINK | 43-45 |
| Connecting a Blu-ray Disc/DVD Player or | | Link Operation Menu | 45-46 |
| HD Cable/Satellite Set-top Box | 13-14 | Using a PC | |
| Connecting a VCR, Game Console, | | Displaying a PC Image on the Screen | 47 |
| Camcorder or Cable/Satellite Set-top Box | 14 | Adjusting the PC Image | 48 |
| Connecting an Audio Amplifier | 15 | Setting Audio Input | 48 |
| Connecting a PC | 16 | PC Compatibility Chart | 48 |
| Watching TV | | RS-232C Port Specifications | 49 |
| Turning On/Off the Power | 17 | Using the Internet | |
| Initial Installation | 17 | Internet Setup | 50-51 |
| Direct Button Operation | | Displaying Updated Information and | |
| Changing Channels | 18 | Support Service | 51 |
| Changing Volume | 18 | Entering Text (Software Keyboard) | 52 |
| MUTE | 18 | Using the Browser | 53-56 |
| Sleep Timer | 18 | Instantly Watching Movies from Netflix | 57-59 |
| FLASHBACK | 18 | Appendix | |
| SURROUND | 18 | Removing the Stand | 60 |
| FREEZE | 18 | Setting the TV on the Wall | 61 |
| INPUT | 19 | Troubleshooting | 62-63 |
| AV MODE | 19 | Troubleshooting - Error Message | 63 |
| AUDIO | 19 | Specifications | 64-65 |
| DOCK | 20 | Optional Accessory | 65 |
| POWER SAVING | 20 | Information on the Software License for | |
| Closed Captions and | | This Product | 66 |
| Digital Closed Captions | 20 | Calling for Service | 67 |
| VIEW MODE | 21 | LIMITED WARRANTY | 67 |
| | | Dimensional Drawings | |
| | | • The dimensional drawings for the LCD TV set are shown | |
| | | on the inside back cover. | |

Supplied Accessories

Make sure the following accessories are provided with the product.

| | | | | |
|---|---|---|---|---|
|  |  |  |  |  |
| Remote control unit (× 1) Page 8 | “AAA” size battery (× 2) Page 9 | Cable clamp (× 1) Page 8 | LC-40LE810UN/ LC-46LE810UN/ LC-52LE810UN Stand unit (× 1) Page 7 | Operation manual (× 1) |
| ■ Connection guide (× 1) | | | | |

- NOTE**
- Always use the AC cord supplied with the TV.
 - The illustrations above are for explanation purposes and may vary slightly from the actual accessories.

QUICK REFERENCE

Attaching the Stand

- Before attaching (or detaching) the stand, unplug the AC cord.
- Before performing work spread cushioning over the base area to lay the TV on. This will prevent it from being damaged.

CAUTION

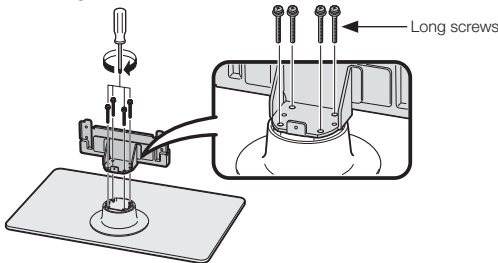
- **Attach the stand in the correct direction.**
- **Do not remove the stand from the TV unless using an optional wall mount bracket to mount it.**
- **Be sure to follow the instructions. Incorrect installation of the stand may result in the TV falling over.**

1 Confirm that there are 9 screws (5 short screws and 4 long screws) supplied with the stand unit.

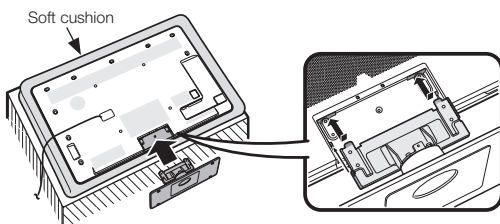


2 Attach the supporting post for the stand unit onto the base using the box for the stand unit as shown below.

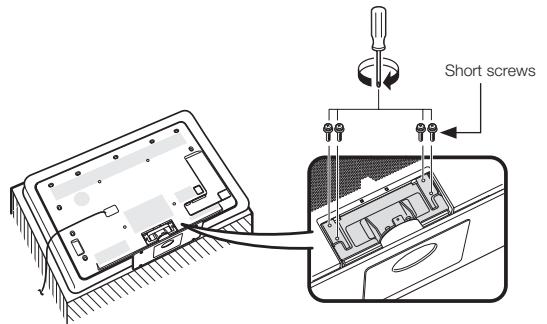
- The supporting post attaches to the base at an off-centered location on the base. Be sure to attach the supporting post in the direction indicated below and attach the stand to the TV with the wider side of the base facing forward.



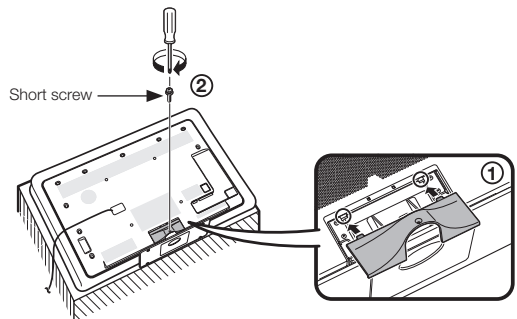
3 Insert the stand into the openings on the rear of the TV.



4 Insert and tighten the 4 screws into the 4 holes on the rear of the stand unit.



5 ① Insert the stand cover.
② Insert the screw to secure the stand cover.

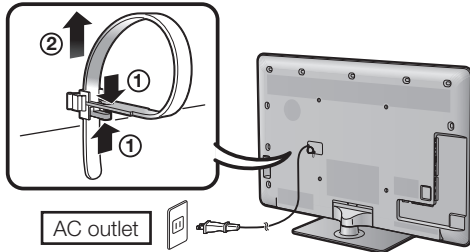


- NOTE**
- To detach the stand, perform the steps in reverse order.

QUICK REFERENCE

QUICK INSTALLATION TIPS

- 1 Attach your antenna to the back of the television. (See page 9.)
- 2 Connect the AC plug for the television into the AC outlet.

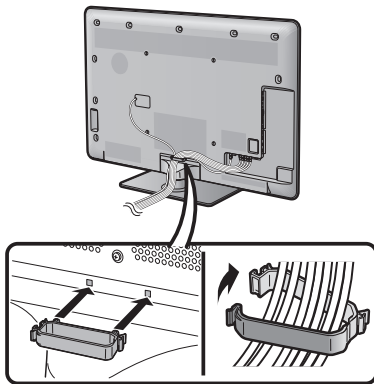


- Place the TV close to the AC outlet, and keep the power plug within reach.

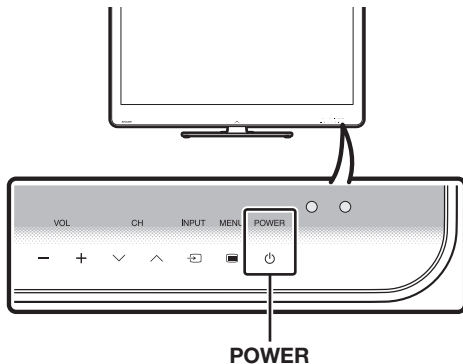
NOTE

- **TO PREVENT RISK OF ELECTRIC SHOCK, DO NOT TOUCH UN-INSULATED PARTS OF ANY CABLES WITH THE AC CORD CONNECTED.**

- 3 Bundle the cords properly with the cable clamp.



- 4 When turning on the TV for the first time, press **POWER** on the touch sensor panel on the front of the TV.



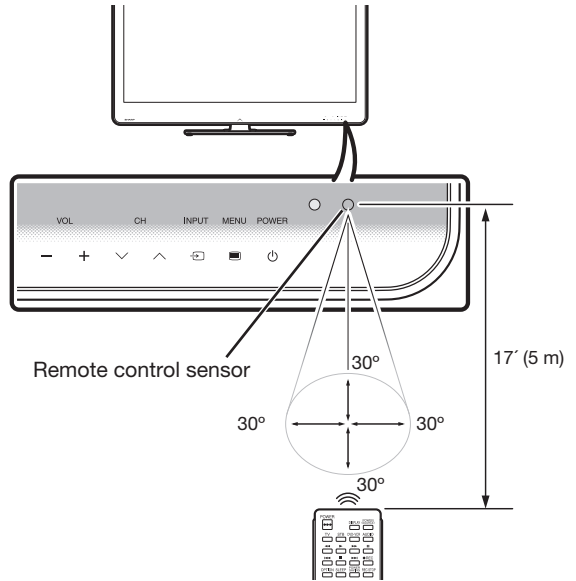
- 5 Insert the batteries into the remote control unit. (See page 9.)

NOTE

- Speakers cannot be detached from the TV.
- The TV can be rotated up to 20 degrees to right and left.

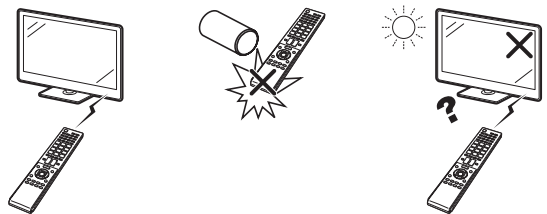
Using the Remote Control Unit

Use the remote control unit by pointing it towards the remote control sensor on the TV. Objects between the remote control unit and the remote control sensor may prevent proper operation.



■ Cautions regarding the remote control unit

- Do not expose the remote control unit to shock. In addition, do not expose the remote control unit to liquids, and do not place in an area with high humidity.
- Do not install or place the remote control unit under direct sunlight. The heat may cause deformation of the remote control unit.
- The remote control unit may not work properly if the remote control sensor on the TV is under direct sunlight or strong lighting. In such cases, change the angle of the lighting or the TV, or operate the remote control unit closer to the remote control sensor.



IMPORTANT:

IF THE UNIT DOES NOT POWER ON - UNPLUG THE TELEVISION FROM THE OUTLET AND REPEAT THE INSTALLATION STEPS.

IF YOU STILL ENCOUNTER NO POWER, PLEASE CONTACT US AT 1-800-BE-SHARP.

Preparation

Antennas

To enjoy a clearer picture, use an outdoor antenna. The following is a brief explanation of the types of connections that are used for a coaxial cable. If your outdoor antenna uses a 75-ohm coaxial cable with an F-type connector, plug it into the antenna terminal at the rear of the TV set. For connecting the antenna cable to the TV, use commercially available cables.

Connecting Antenna Cable

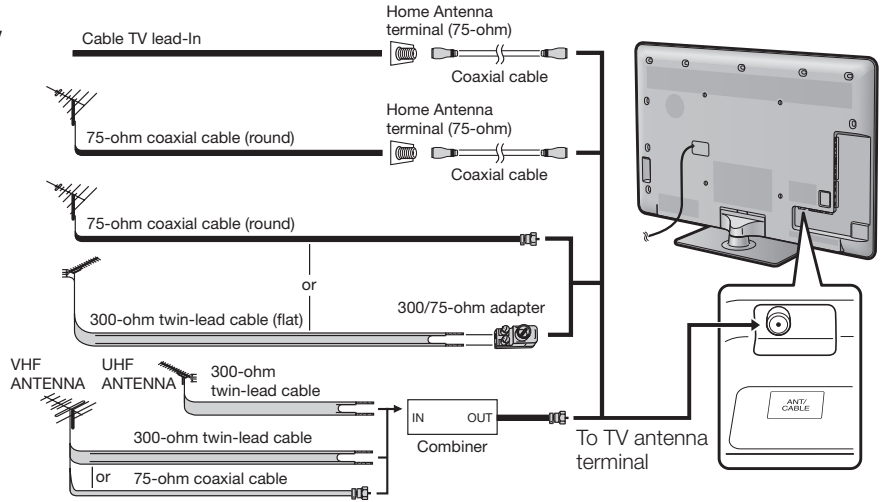
• Connect the antenna cable to the TV using one of the methods in the illustration as shown (①, ②, ③ or ④).

① Cable without a CATV converter

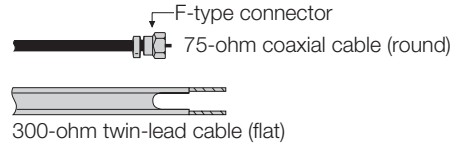
② VHF/UHF antenna

③ Combination VHF/UHF antenna

④ Separate VHF/UHF antenna

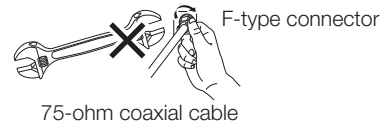


1. A 75-ohm system is generally a round cable with F-type connector that can easily be attached to a terminal without tools.
2. A 300-ohm system is a flat "twin-lead" cable that can be attached to a 75-ohm terminal through a 300/75-ohm adapter.



NOTICE F-type connector should be finger-tightened only.

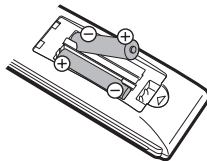
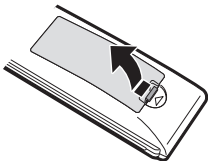
When connecting the RF cable to the TV set, do not tighten F-type connector with tools. If tools are used, it may cause damage to your TV set. (The breaking of internal circuit, etc.)



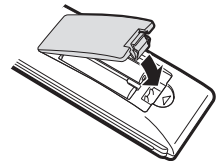
Installing Batteries in the Remote Control Unit

If the remote control fails to operate TV functions, replace the batteries in the remote control unit.

- 1 Open the battery cover.
- 2 Insert two "AAA" size batteries (supplied with the product).
- 3 Close the battery cover.



- Place the batteries with their terminals corresponding to the (+) and (-) indications in the battery compartment.



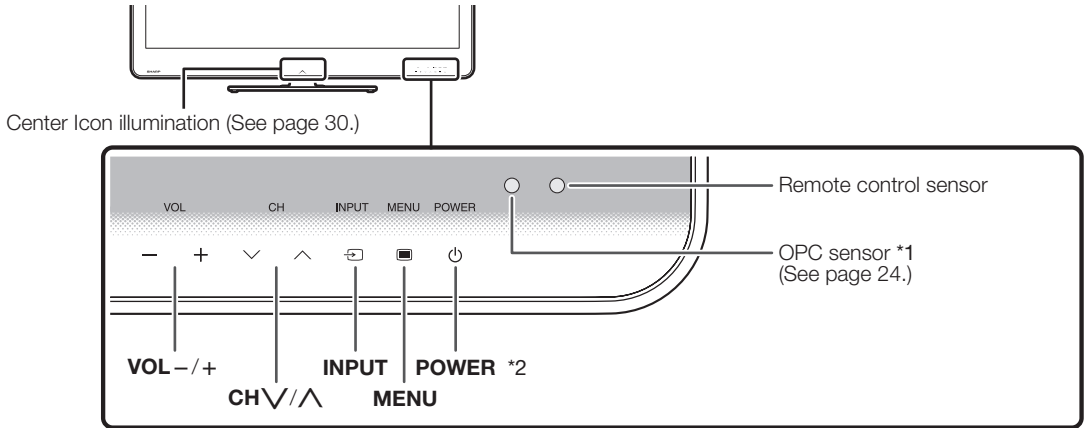
CAUTION

Improper use of batteries can result in chemical leakage or explosion. Be sure to follow the instructions below.

- Do not mix batteries of different types. Different types of batteries have different characteristics.
- Do not mix old and new batteries. Mixing old and new batteries can shorten the life of new batteries or cause chemical leakage in old batteries.
- Remove batteries as soon as they are worn out. Chemicals that leak from batteries that come in contact with skin can cause a rash. If you find any chemical leakage, wipe thoroughly with a cloth.
- The batteries supplied with this product may have a shorter life expectancy due to storage conditions.
- If you will not be using the remote control unit for an extended period of time, remove batteries from it.

Part Names

TV (Front)

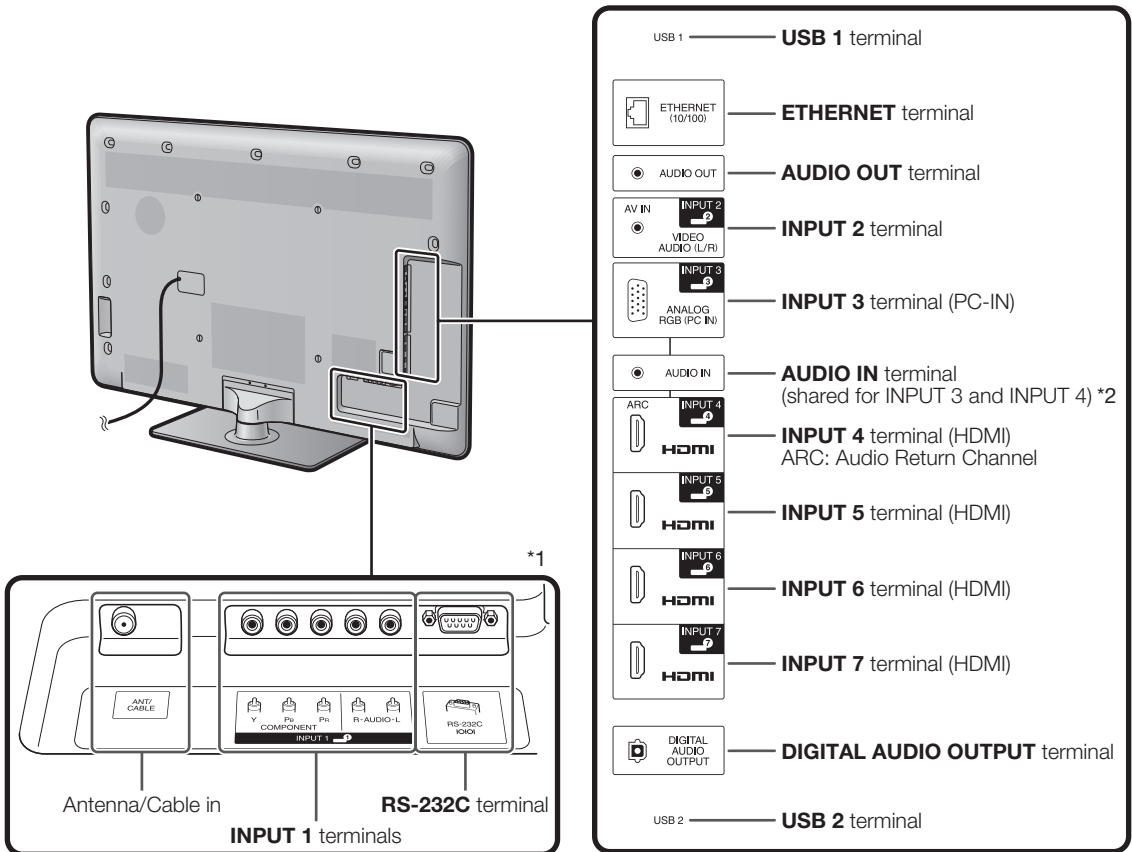


*1 OPC: Optical Picture Control

*2 See pages 17 and 22 for using the touch sensor panel.

TV (Rear)

*1



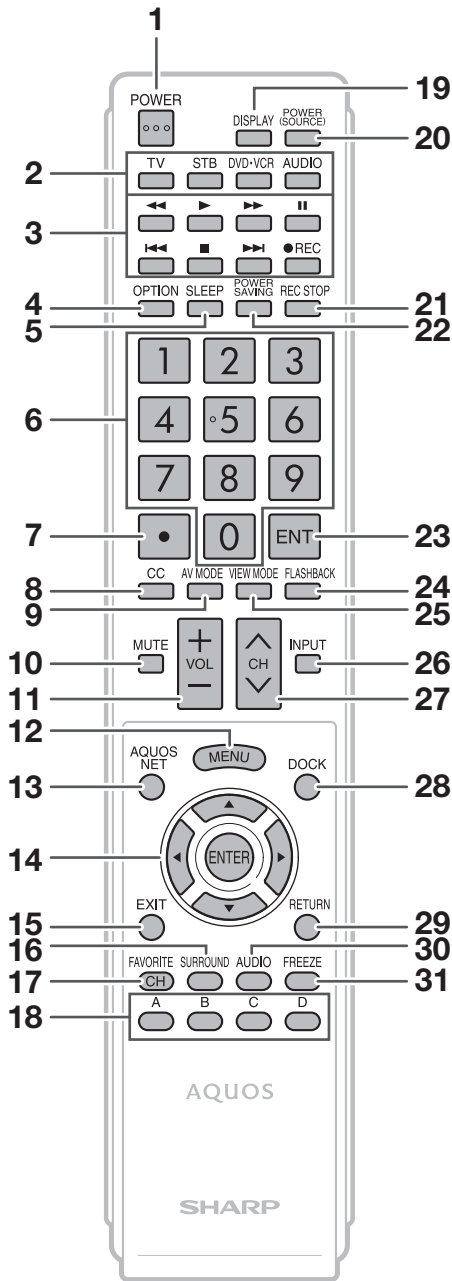
*1 See pages 12 to 16 and 43 for external equipment connection.

*2 See page 48 for details on the Audio Select function.

NOTE

- The illustrations in this operation manual are for explanation purposes and may vary slightly from the actual operations.
- The examples used throughout this manual are based on the LC-52LE810UN model.

Remote Control Unit



- 1 **POWER:** Switch the TV power on or enter standby. (See page 17.)
- 2 **TV, STB, DVD•VCR, AUDIO:** Switches the remote control for TV, STB, DVD, BD, VCR and AUDIO operation. (See pages 41 to 42 for details.)
* To enter the code registration mode, you need to press an appropriate button (**STB, DVD•VCR** or **AUDIO**) and **DISPLAY** at the same time.
- 3 **External equipment operational buttons:** Operate the external equipment.
- 4 **OPTION:** Display the Link Operation Menu screen. This button will function only when AQUOS LINK is used. (See pages 43 to 46 for details.)
- 5 **SLEEP:** Set the sleep timer. (See page 18.)
- 6 **0-9:** Set the channel. (See page 18.)
- 7 **• (DOT):** (See pages 18 and 41.)
- 8 **CC:** Display captions from a closed-caption source. (See page 20.)
- 9 **AV MODE:** Select an audio or video setting. (See page 19.)
- 10 **MUTE:** Mute the sound. (See page 18.)
- 11 **VOL + / -:** Set the volume. (See page 18.)
- 12 **MENU:** Display the menu screen. (See page 22.)
- 13 **AQUOS NET:** Switches the display to the Sidebar Widget, TV + Web, Web or TV screen. (See pages 50 to 58 for details.)
- 14 **▲/▼/◀/▶, ENTER:** Select a desired item on the screen.
- 15 **EXIT:** Turn off the menu screen.
- 16 **SURROUND:** Select Surround settings. (See page 18.)
- 17 **FAVORITE CH:** Set the favorite channels. (See page 31.)
- 18 **A, B, C, D:** Select 4 preset favorite channels in 4 different categories. (See page 31.)
While watching, you can toggle the selected channels by pressing **A, B, C** and **D**.
- 19 **DISPLAY:** Display the channel information.
- 20 **POWER (SOURCE):** Turns the power of the external equipment on and off.
- 21 **REC STOP:** Stops one touch recording. This button will function only when AQUOS LINK is used. (See pages 43 to 45 for details.)
- 22 **POWER SAVING:** Select Power Saving settings. (See page 20.)
- 23 **ENT:** Jumps to a channel after selecting with the **0-9** buttons.
- 24 **FLASHBACK:** Return to the previous channel or external input mode. (See page 18.)
- 25 **VIEW MODE:** Select the screen size. (See pages 21, 47 and 59.)
- 26 **INPUT:** Select a TV input source. (TV, INPUT 1, INPUT 2, INPUT 3, INPUT 4, INPUT 5, INPUT 6, INPUT 7) (See pages 12 and 19.)
- 27 **CH ▲/▼:** Select the channel. (See page 18.)
- 28 **DOCK:** Display the DOCK. (See page 20.)
- 29 **RETURN:** Return to the previous menu screen.
- 30 **AUDIO:** Selects the MTS/SAP or the audio mode during multi-channel audio broadcasts. (See page 19.)
- 31 **FREEZE:** Set the still image. Press again to return to normal screen. (See page 18.)

NOTE

- When using the remote control unit, point it at the TV.

Introduction to Connections

Experiencing HD Images

An HDTV without an HD source is just an ordinary TV.

To enjoy HD images on the TV, you should get HD programming from the following:

- Over-the-air broadcasting via HD quality antenna
- HD cable/satellite subscription
- HD compatible external equipment






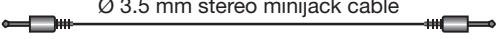

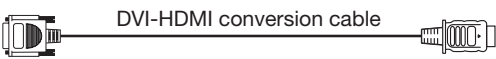

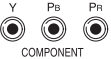

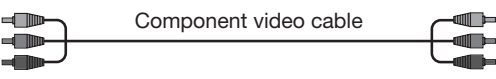
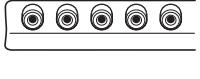

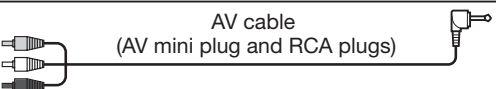
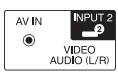
NOTE

- For information on updating to HD programming, ask your cable/satellite service provider.

Types of Connection

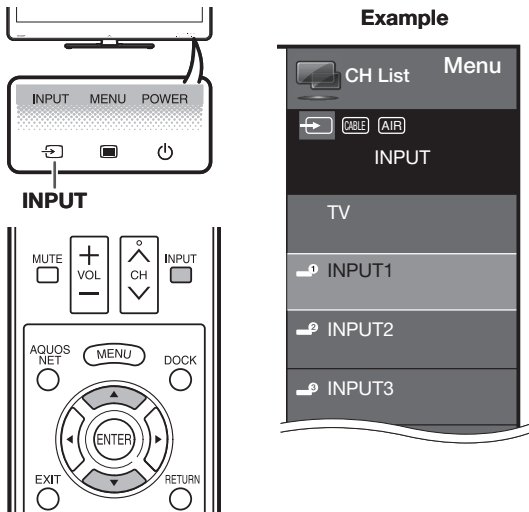
Image quality differs depending on the terminal used. To enjoy clearer images, check the output terminals of your external equipment and use its appropriate terminals for higher quality images.

- The illustrations of the terminals are for explanation purposes and may vary slightly from the actual products.

| Image Quality | Terminal on external equipment | Cable | Terminal on the TV | | |
|---|--|---|--|---|-----------|
| <div style="display: flex; flex-direction: column; align-items: center;"> <div style="margin-bottom: 10px;">HD Quality</div> <div style="margin-bottom: 10px;">↑</div> <div style="margin-bottom: 10px;">↑</div> <div style="margin-bottom: 10px;">↑</div> <div style="margin-bottom: 10px;">↑</div> <div>Standard Quality</div> </div> |  HDMI |  HDMI-certified cable |  INPUT 7 HDMI | → Page 13 | |
| |  AUDIO |  DVI OUT |  Ø 3.5 mm stereo minijack cable |  AUDIO IN | → Page 13 |
| | |  DVI-HDMI conversion cable |  ARC INPUT 4 HDMI | | |
| |  COMPONENT |  AUDIO |  Component video cable |  Y Pb Pr R-AUDIO-L | → Page 14 |
| |  VIDEO AUDIO |  AV cable (AV mini plug and RCA plugs) |  AV IN INPUT 2 VIDEO AUDIO (L/R) | → Page 14 | |

Displaying an External Equipment Image

To view external source images, select the input source by pressing **INPUT** on the remote control unit or on the TV.

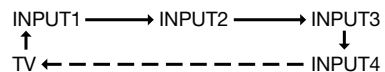


1 Press **INPUT**.

- The CH List screen displays.

2 Press **▲/▼** to select the input source.

- You can also select the input source by pressing **INPUT**. Each time **INPUT** is pressed, the input source toggles.



- An image from the selected source automatically displays.
- If the corresponding input is not plugged in, you cannot change the input. Be sure to connect the equipment beforehand.

Connecting to External Equipment

You can connect many types of external equipment to your TV. To view external source images, select the input source from **INPUT** on the remote control unit or on the TV. (See pages 12 and 19.)
For connecting the TV to external equipment, use commercially available cables.

CAUTION

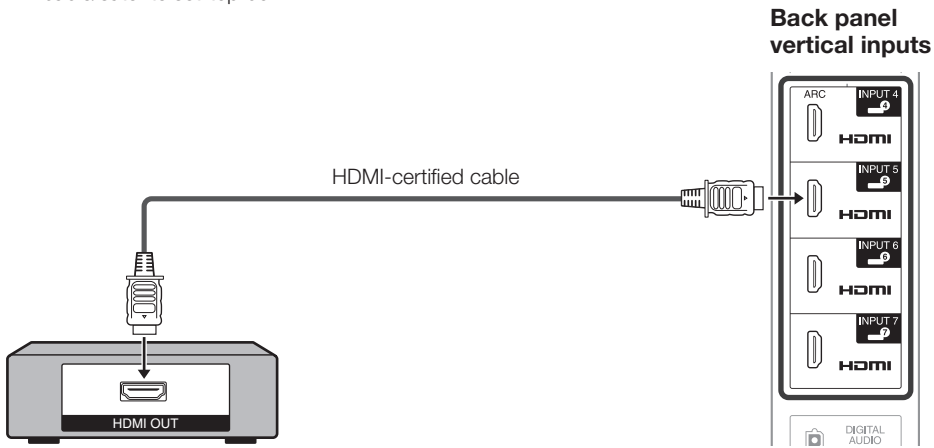
- To protect equipment, always turn off the TV before connecting any external equipment.
- Please read the relevant operation manual (Blu-ray disc player, etc.) carefully before making connections.

Connecting a Blu-ray Disc/DVD Player or HD Cable/Satellite Set-top Box

■ When using HDMI cable (INPUT 4, 5, 6 or 7):

The HDMI (High Definition Multimedia Interface) terminal is an audio-video interface that enables a connection for audio and video signals using a single cable. The HDMI terminal supports high-resolution video input.

- Blu-ray disc player
- DVD player
- HD cable/satellite set-top box

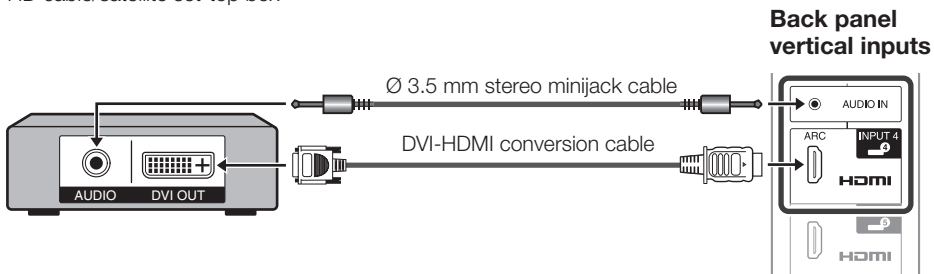


NOTE

- To enjoy 1080p display capability, connect your external equipment using an HDMI-certified cable or a component cable and set the equipment to 1080p output.
- Supported Audio format: Linear PCM, sampling rate 32/44.1/48kHz.
- When you connect external equipment using a DVI-HDMI conversion cable or when you connect ARC-compatible equipment, use INPUT 4.

■ When using DVI-HDMI conversion cable (INPUT 4):

- Blu-ray disc player
- DVD player
- HD cable/satellite set-top box



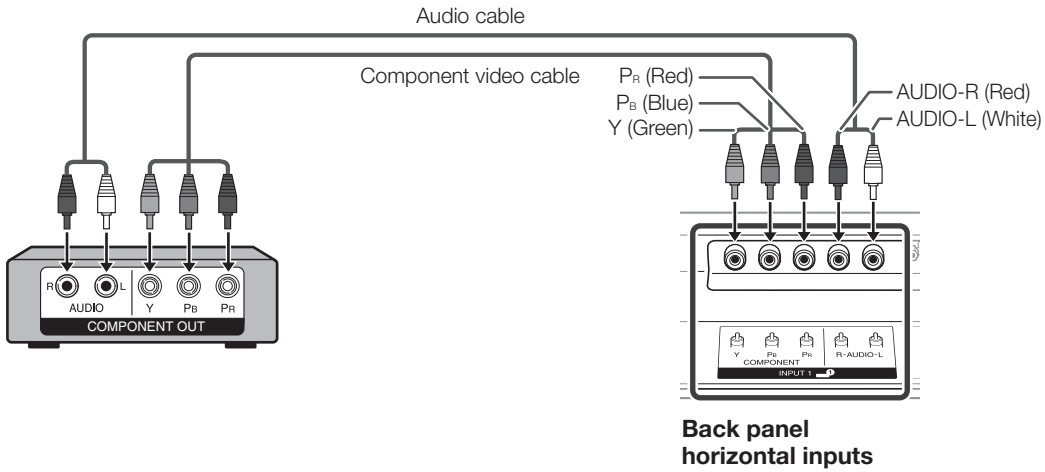
NOTE

- When using a DVI-HDMI conversion cable, you should make an analog audio connection. In this case, in addition to connecting a DVI-HDMI conversion cable to the INPUT 4 (HDMI) terminal, connect a Ø 3.5 mm stereo minijack cable to the AUDIO IN terminal and set "Audio Select" to "HDMI+Analog". (See page 48.)

Connecting to External Equipment

■ When using Component cable (INPUT 1):

- Blu-ray disc player
- DVD player
- HD cable/satellite set-top box



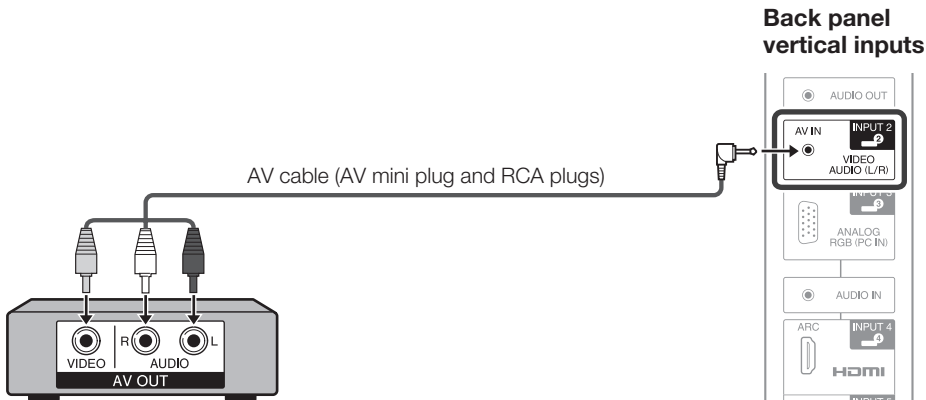
NOTE

- To enjoy 1080p display capability, connect your external equipment using an HDMI-certified cable or a component cable and set the equipment to 1080p output.
- See page 13 for connecting a Blu-ray disc player, DVD player or an HD cable/satellite set-top box to the HDMI terminal.

Connecting a VCR, Game Console, Camcorder or Cable/Satellite Set-top Box

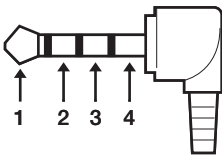
■ When using Composite cable (INPUT 2):

- Game console
- VCR
- Camcorder
- Cable/Satellite set-top box



NOTE

- For the AV cable to connect to the INPUT 2 terminal, use a plug described below.



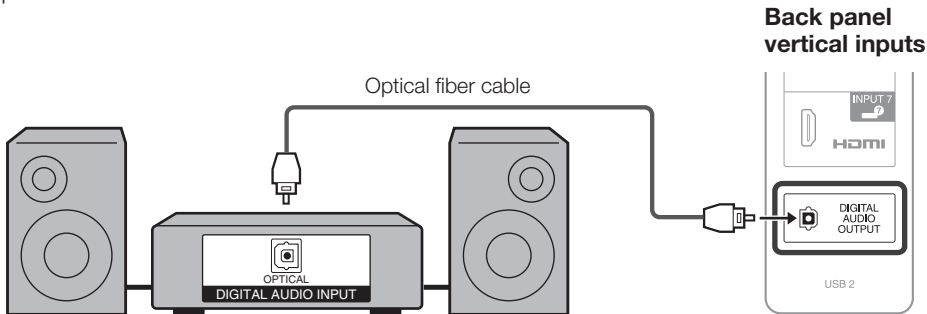
| Pin number | Description |
|------------|--------------------|
| 1 | AUDIO (LEFT) |
| 2 | Composite Video |
| 3 | A&V Ground (EARTH) |
| 4 | AUDIO (RIGHT) |

Connecting to External Equipment

Connecting an Audio Amplifier

■ When using optical fiber cable:

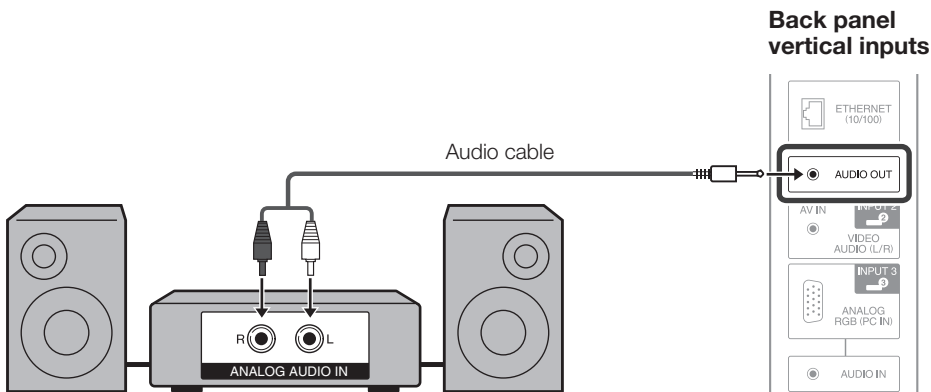
It is possible to output audio through the DIGITAL AUDIO OUTPUT terminal. (See page 28 for details.) PCM audio outputs from the terminal.



NOTE

- Depending on the connected equipment, audio will not output from the DIGITAL AUDIO OUTPUT terminal in HDMI connection. In this case, set the audio formats of the connected equipment to PCM, 32/44.1/48 kHz.

■ When using audio cable:



NOTE

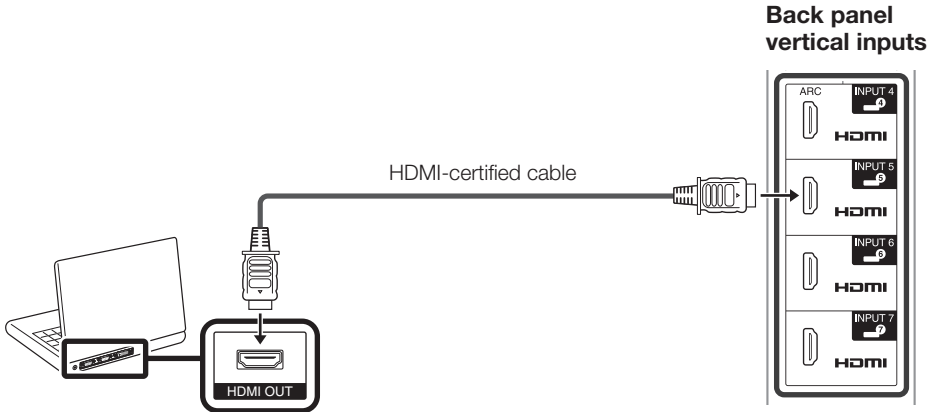
- See page 29 for details on the Output Select function.

Connecting to External Equipment

Connecting a PC

Refer to page 48 for a list of PC signals compatible with the TV.

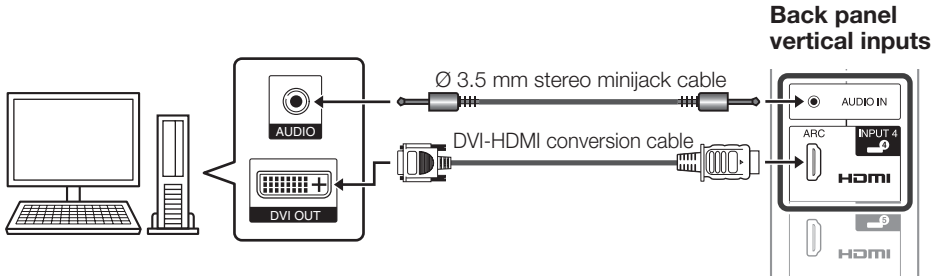
■ When using HDMI cable (INPUT 4, 5, 6 or 7):



NOTE

- Depending on the board, only video signals may be output. In this case, in addition to connecting an HDMI-certified cable to the INPUT 4 (HDMI) terminal, connect a \varnothing 3.5 mm stereo minijack cable to the AUDIO IN terminal and set "Audio Select" to "HDMI+Analog". (See page 48.)
- The HDMI terminals only support digital signal.

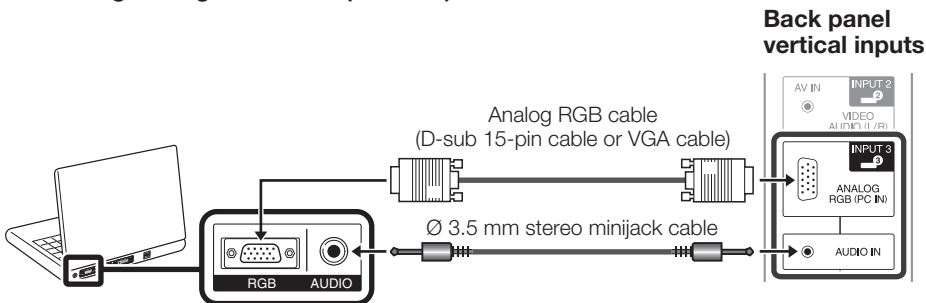
■ When using DVI-HDMI conversion cable (INPUT 4):



NOTE

- When using a DVI-HDMI conversion cable, you should make an analog audio connection. In this case, in addition to connecting a DVI-HDMI conversion cable to the INPUT 4 (HDMI) terminal, connect a \varnothing 3.5 mm stereo minijack cable to the AUDIO IN terminal and set "Audio Select" to "HDMI+Analog". (See page 48.)

■ When using analog RGB cable (INPUT 3):

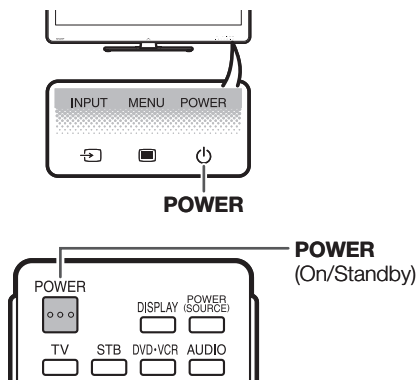


NOTE

- When using an analog RGB cable, input the audio signal to the AUDIO IN terminal of INPUT 3.
- When connecting a PC to the INPUT 3, set "Audio Select" to "Video+Audio". (See page 48.)

Watching TV

Turning On/Off the Power



Press **POWER** on the TV or on the remote control unit to turn the power on.

NOTE

- The Initial Installation starts when the TV powers on for the first time. If the TV has been turned on before, the Initial Installation will not be invoked. For changing the settings of the Initial Installation, perform "EZ setup" on the Initial Setup menu on page 30.

Press **POWER** on the TV or on the remote control unit again to turn the power off.

- The TV enters standby and the image on the screen disappears.

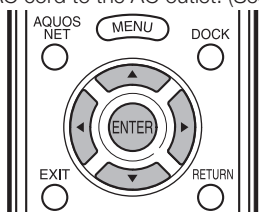
NOTE

- If you are not going to use this TV for a long period of time, be sure to remove the AC cord from the AC outlet.
- Weak electric power is still consumed even when the TV is turned off.

Initial Installation

When you turn on the TV for the first time, it will automatically memorize the broadcasting channels available in the region where you live. Perform the following steps before you press **POWER** on the remote control unit.

1. Insert the batteries into the remote control unit. (See page 9.)
2. Connect the antenna cable to the TV. (See page 9.)
3. Plug in the AC cord to the AC outlet. (See page 8.)



Language (Language setting)

Select from among 3 languages: English, French and Spanish.

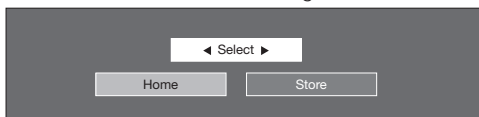
- 1 Press **▲/▼** to select the desired language listed on the screen, and then press **ENTER**.



TV Location

Select "Home" or "Store" for the location where you plan to install the TV. This product qualifies for ENERGY STAR in Home mode default setting.

- 2 Press **◀/▶** to select "Home" or "Store". Press **ENTER** to enter the setting.



Home: "Power Saving" is set to "Advanced", and AV MODE is set to "STANDARD".

Store: "Power Saving" is set to "Off" and AV MODE is set to "DYNAMIC (Fixed)". Picture Reset and Feature Demo can be set.

Picture Reset: AV MODE will be set to "DYNAMIC (Fixed)" regardless of whether Picture Reset is "On" or "Off". If you select "On", AV MODE will be reset to "DYNAMIC (Fixed)" if there is no operation for 30 minutes. When "Off" is selected, AV MODE will be set to "DYNAMIC (Fixed)".

Feature Demo: When "On" is selected, after all the settings are completed, the Feature Demo screen is displayed if there is no operation for several minutes.

NOTE

ENERGY STAR qualification is based on AV MODE "STANDARD".

Air/Cable (Antenna setting)

Make sure what kind of connection is made with your TV when selecting "Air" or "Cable".

- 3 Press **◀/▶** to select "Air" or "Cable". Press **ENTER** to enter the setting.



CH Search (Channel search)

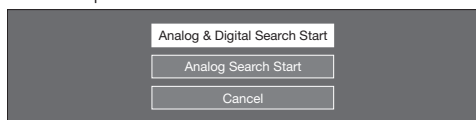
Channel auto search makes the TV look for all channels viewable in the set area.

- 4 When "Air" is selected in Antenna setting: Press **◀/▶** to select "Start", and then press **ENTER**.



When "Cable" is selected in Antenna setting:

Press **▲/▼** to select "Analog & Digital Search Start" to search both analog and digital broadcasts, or to select "Analog Search Start" to search only analog broadcasts, and then press **ENTER**.

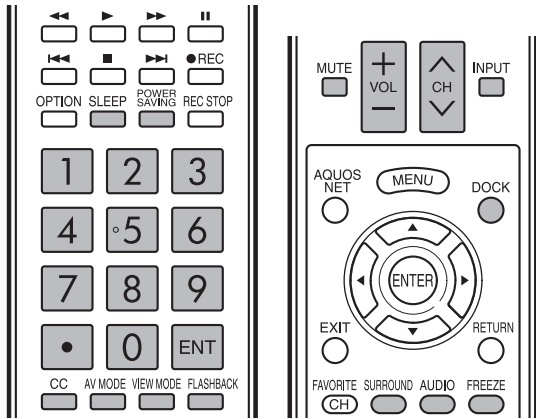


- The Channel search will start automatically.
- To exit the Channel search screen, select "Cancel", and then press **ENTER**.

NOTE

- If no channel is found, confirm the type of connection made with your TV and try "EZ Setup" again. (See page 30.)
- For changing the settings of the Initial Installation, perform "EZ setup" on the Initial Setup menu on page 30.

Direct Button Operation



Changing Channels

You can change channels in several ways.

Method 1

Using **CH** \wedge/\vee on the remote control unit or on the TV.

Method 2

Using remote control buttons **0-9**, **• (DOT)**.

Examples:

To select a 1 or 2-digit channel number (e. g., Channel 5):
Press **5** \rightarrow **ENTER**.

To select a 3-digit channel number (e. g., Channel 115):
Press **1** \rightarrow **1** \rightarrow **5** \rightarrow **ENTER**.

To select a 4-digit channel number (e. g., Channel 22.1):
Press **2** \rightarrow **2** \rightarrow **• (DOT)** \rightarrow **1** \rightarrow **ENTER**.

Method 3

Selecting the program from CH List.

1 Press **INPUT** on the remote control unit.

- The CH List screen displays.

2 Press $\blacktriangleleft/\blacktriangleright$ to select "CABLE" or "AIR".

- A list of viewable programs is displayed.

3 Press $\blacktriangle/\blacktriangledown$ to select the desired channel, and then press **ENTER**.

NOTE

- When selecting a 1-digit channel number, it is not necessary to press **0** before the number.
- When you enter **0-9** only, channel selection will be made if there is no operation within a few seconds.
- If you push "0" by itself, nothing will happen.
- Complete the above steps within a few seconds.
- When you enter **0-9** and **• (DOT)**, channel selection will be made if there is no operation within a few seconds.

Changing Volume

You can change the volume by pressing **VOL** $+/-$ on the TV or on the remote control unit.

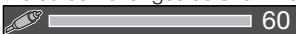
- To increase the volume, press **VOL +**.
- To decrease the volume, press **VOL -**.



Audio status

| Output device | Output Select | |
|---------------|----------------|----------|
| | Fixed | Variable |
| Speaker | Variable sound | Mute |

- When "Output Select" is set to "Variable", the indicator on the screen changes as shown below.



NOTE

- See page 29 for details on the Output Select function.

MUTE

Mutes the current sound output.

Press **MUTE**.

- " \otimes " will be displayed on the screen for 30 minutes, and the sound is silenced.

NOTE

- Within 30 minutes of pressing **MUTE**, mute can be canceled by pressing **VOL +/–** or **MUTE**.
- Mute will be canceled after 30 minutes have passed. However, the TV will not suddenly output a loud sound as the volume level is set to 0 automatically.

Sleep Timer

Allows you to set a time when the TV automatically switches to standby.

Press **SLEEP**.

- The remaining time displays when the sleep timer has been set.
- Each time you press **SLEEP**, the remaining time switches as shown below.

Off \rightarrow 30 \rightarrow 60 \rightarrow 90 \rightarrow 120

- When set, the time automatically starts counting down.
- If you want to adjust the sleep timer, you can press **SLEEP** twice then change the time setting.
- When it is 5 minutes before the time expires, the remaining time will start to keep appearing every minute.

NOTE

- Select "Off" by pressing **SLEEP** to cancel the sleep timer.
- The TV will enter standby when the remaining time reaches 0.

FLASHBACK

Press **FLASHBACK** to switch to the previously tuned channel.

- Press **FLASHBACK** again to switch back to the currently tuned channel.

NOTE

- FLASHBACK** will not work if no channel has been changed after the TV is turned on.

SURROUND

The surround function produces Surround effect from the speakers. Each time you press **SURROUND**, the mode changes between On and Off.

On: Makes it possible to enjoy natural, realistic surround sound.

Off: Outputs the normal sound.

NOTE

- You can have the same settings by choosing "Surround" on the menu items. (See page 26.)

FREEZE

Allows you to capture and freeze a moving image that you are watching.

Press **FREEZE**.

- A moving image is captured.
- Press **FREEZE** again to cancel the function.

NOTE

- When this function is not available, "No displaying still image available." will display.
- The still image automatically goes out after 30 minutes.
- If you are using the freeze function and a broadcast activates the V-CHIP BLOCK, the freeze function will be canceled and a V-CHIP BLOCK message will appear.
- You can have the same settings by choosing "Freeze" on the menu items. (See page 28.)

Direct Button Operation

INPUT

To view external source images, select the input source by pressing **INPUT** on the remote control unit or on the TV.

- 1 Press **INPUT**.
 - The CH List screen displays.
- 2 Press **▲/▼** or press **INPUT** again to select the input source.
 - An image from the selected source automatically displays.
 - Each time **INPUT** is pressed, the input source toggles.
 - If the corresponding input is not plugged in, you cannot change the input. Be sure to connect the equipment beforehand.

NOTE

- See pages 12 to 16 and 43 for external equipment connection.

AV MODE

AV MODE gives you several viewing options to choose from to best match the surrounding environment of the TV, which can vary due to factors like room brightness, type of program watched or the type of image input from external equipment.

Press **AV MODE**. Current AV MODE displays.

- Press **AV MODE** again before the mode displayed on the screen disappears. The mode changes as shown below:

Example:

When the input source is TV, INPUT 1 or 2 terminals

AUTO → STANDARD → MOVIE → GAME
↑
DYNAMIC (Fixed) ← DYNAMIC ← USER [TV]

Example:

When the input source is INPUT 3, 4, 5, 6 or 7 terminals

AUTO → STANDARD → MOVIE → GAME → PC
↑
DYNAMIC (Fixed) ← DYNAMIC ← x.v.Color* ← USER []

* "x.v.Color" can only be selected when an x.v.Color signal is input using INPUT 4 to 7.

AUTO: Optimizes the image quality automatically based on the room brightness and image signal.

STANDARD: For a highly defined image in a normal lighting.

MOVIE: For a movie.

GAME: Lowers image brightness for easier viewing.

PC: For PC.

USER: Allows the user to customize settings as desired. You can set the mode for each input source.

x.v.Color: Supports the x.v.Color international standard for wide color space. The x.v.Color signal allows you to experience colors that conventional color signals cannot reproduce.

DYNAMIC: For a clear-cut image emphasizing high contrast, useful for sports viewing.

DYNAMIC (Fixed): Changes the image and sound settings to the factory preset values. No adjustments are allowed.

NOTE

- You can select a different AV MODE item for each input mode. (For example, select STANDARD for TV input and DYNAMIC for INPUT 1.)
- When you play games, "GAME" is recommended for AV MODE.
- You cannot set "GAME" or "PC" when the TV is connected to the Internet or when the input source is "USB".
- You can have the same settings by choosing "AV MODE" on the menu items. (See page 24.)

AUDIO

■ MTS/SAP stereo mode

The TV has a feature that allows reception of sound other than the main audio for the program. This feature is called Multi-channel Television Sound (MTS). The TV with MTS can receive mono sound, stereo sound and Secondary Audio Programs (SAP). The SAP feature allows a TV station to broadcast other information, which could be audio in another language or something completely different like weather information.

You can enjoy Hi-Fi stereo sound or SAP broadcasts where available.

- **Stereo broadcasts:** View programs like live sporting events, shows and concerts in dynamic stereo sound.
- **SAP broadcasts:** Receive TV broadcasts in either MAIN or SAP sound.
 - MAIN sound: The normal program soundtrack (either in mono or stereo).
 - SAP sound: Listen to a second language, supplementary commentary or other information. (SAP is mono sound.)

If stereo sound is difficult to hear.

- Obtain a clearer sound by manually switching to fixed mono-sound mode.

You can change MTS as shown below to match the television broadcast signal.

Press **AUDIO** to toggle between audio modes.

Examples: when receiving MTS and SAP

STEREO mode: STEREO ↔ MONO
STEREO + SAP mode: ST(SAP) → SAP(ST) → MONO

MAIN + SAP mode: MAIN ↔ SAP

MONO mode: MONO

■ Digital broadcasting audio mode

The types of audio transmitted in a digital broadcast include SURROUND as well as MONO and STEREO. In addition, it is possible for multiple audio tracks to accompany a single video track.

Press **AUDIO** to toggle between audio modes.

Example: when receiving Digital broadcasting

STEREO (Audio1) → STEREO (Audio2)
↑
SURROUND (Audio3) ←

NOTE

- MTS only operates while in TV mode.
- You can have the same settings by choosing "Change Audio" on the menu items. (See page 28.)

Direct Button Operation

DOCK

Allows you to directly activate various types of applications.

NOTE

- See pages 37, 51 and 57 for details of viewable applications.
- You can display the DOCK by choosing "DOCK" on the menu items. (See page 28.)
- When this function is not available, "Can not operate this function now" will display.

POWER SAVING

Allows you to set the Power Saving level in order to decrease the power consumption and increase the backlight lifespan.

Press **POWER SAVING**.

- Each time you press **POWER SAVING**, the mode changes as shown below.

Off → Standard → Advanced

NOTE

- You can have the same settings by choosing "Power Saving" on the menu items. (See page 27.)

Closed Captions and Digital Closed Captions

Your TV is equipped with an internal Closed Caption decoder. It allows you to view conversations, narration and sound effects as subtitles on your TV. Closed Captions are available on some TV programs and on some VHS home video tapes at the discretion of the program provider.

Digital Closed Caption service is a new caption service available only on digital TV programs (also at the discretion of the service provider). It is a more flexible system than the original Closed Caption system, because it allows for a variety of caption sizes and font styles. When the Digital Closed Caption service is in use, it will be indicated by the appearance of a 3-letter abbreviation that also indicates the language of the Digital Closed Captions: ENG (English), SPA (Spanish), FRA (French) or other language codes.

Not all programs and VHS videotapes offer closed captions. Please look for the "CC" symbol to ensure that captions will be shown.

In the Closed Caption system, there can be more than one caption service provided. Each is identified by its own number. The "CC1" and "CC2" services display subtitles of TV programs superimposed over the program's picture.

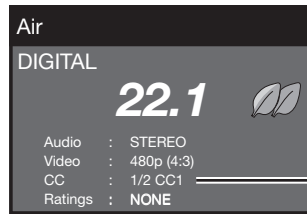
In the Closed Caption system, the "Text1" or "Text2" services display text that is unrelated to the program being viewed (e.g., weather or news). These services are also superimposed over the program currently being viewed.

1 Press **CC**.

- This will present the Closed Caption information display.

2 Press **CC** while the Closed Caption information is still on the screen.

- Press repeatedly until you select the desired closed caption service.



- Depending on the number of caption services in the signal being received, you will see information such as 1/2 or 1/4 displayed. 1/2 means "the first of two services".

Example:

If a program has three services (Digital CC(ENG), CC1 and Text1), the closed caption display will toggle in this sequence:



- The **CC** button keeps a record of the last service selected in its memory. If the last closed caption mode (e.g. 1/3 ENG) you selected is not available for the next program, or on another channel, the closed caption service that is available is automatically selected, and this service appears in parentheses, e.g. "1/3(CC1)". Closed Caption services that appear in parentheses will not be stored in the **CC** button's memory as your last selected service. Only services that you have selected with the **CC** button are stored.

Examples:

In a case where there are two closed caption services provided (for instance, Digital CC(ENG) and CC1), and Digital CC(ENG) is displayed as your current selection, if Digital CC(ENG) is not broadcast for the next program, the other closed caption service, CC1, will be displayed in parentheses.

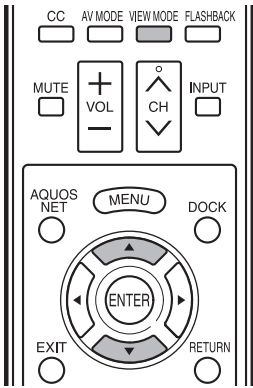
A closed caption service appears in parentheses because the service you selected is not available and a different service is displayed on your screen. "1/1(CC1)" is displayed instead of "1/2/ENG".

NOTE

- When "Power Saving" is set to "Standard" or "Advanced", the Power Saving leaf icon appears on the channel information window. See page 27 for details of Power Saving settings.
- See page 29 for detailed closed caption settings.
- When the program contains no closed caption, "--" displays in the closed caption information.
- If the language code, e.g. "ENG", is not found on Digital TV programs, "--" will be shown.
- Four kinds of closed caption service (CC1, CC2, Text1, Text2) are potentially available, but a broadcast may contain none or only some of these services at the discretion of the program provider.
- When the Sidebar Widget, TV+Web or Web is displayed, Closed Captions are not available.
- You can have the same settings by choosing "Change CC" on the menu items. (See page 28.)

Direct Button Operation

VIEW MODE



You can select the screen size.

1 Press **VIEW MODE**.

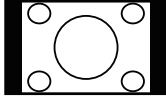

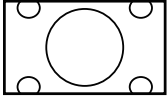
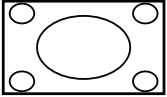
- The View Mode menu displays.
- The menu lists the View Mode options selectable for the type of video signal currently being received.

2 Press **VIEW MODE** or **▲/▼** while the View Mode menu is displayed to select a desired item on the menu.

- You can sequentially select a View Mode that has its own aspect ratio.

■ For 4:3 programs

Example: Screen size images

| Side Bar | S.Stretch (Smart stretch) | Zoom | Stretch |
|---|---|--|---|
|  <p>Suitable for viewing conventional 4:3 programs in their normal format.</p> |  <p>Suitable for stretching 4:3 programs to fill the screen.</p> |  <p>Suitable for viewing wide-screen 2.35:1 anamorphic DVDs in full screen.</p> |  <p>This mode is useful for 1.78:1 DVDs. When viewing 1.85:1 DVDs, stretch mode will still show very thin black bands at the top and bottom of the screen.</p> |

■ For HD programs

Stretch: Suitable for viewing wide-screen 1.78:1 aspect ratio program, stretch mode will still show very thin black bands at the top and bottom of the screen.

Dot by Dot (1080i/p only): Detects the resolution of the signal and displays an image with the same number of pixels on the screen.

Full Screen (720p only): You can select "Full Screen" only when receiving a 720p signal.

S.Stretch (Smart stretch): Suitable for stretching 4:3 programs to fill the screen.

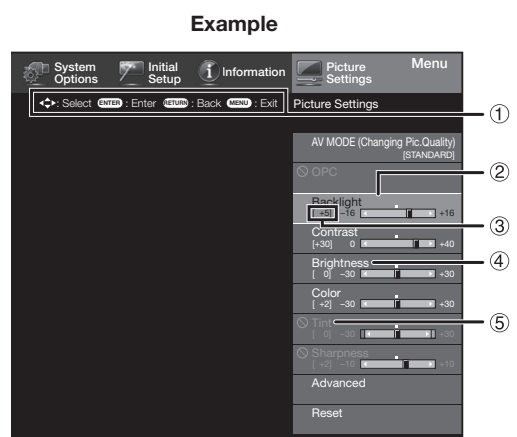
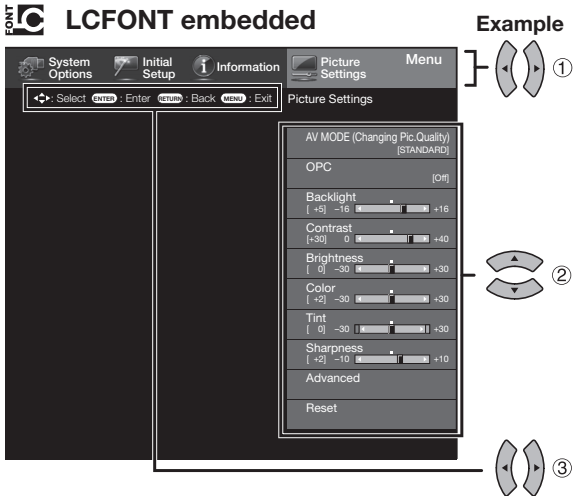
Zoom: Suitable for viewing wide-screen 2.35:1 aspect-ratio programs in full screen.

NOTE

- When using Dot by Dot or Full Screen, it is possible to see noise or bars around different outer portions of the screen. Please change view mode to correct this.
- You can have the same settings by choosing "View Mode" on the menu items. (See page 28.)

On-Screen Display Menu

On-Screen Display Menu Operation



- 1 Press **MENU** to display the MENU screen.
- 2 ① Press **◀/▶** to select the desired menu.
 ② Press **▲/▼** to select a specific adjustment item, and then press **ENTER**.
 - Additional related adjustment items may be displayed. Press **▲/▼** to select the desired item.
- ③ Adjust the item while referring to the guide display.
 - Operations vary depending on the function or item. Refer to the guide display corresponding to the menu setting screen for button operations.
- 3 Press **MENU** to exit.

- ① Guide display
 - This indicates the buttons that can be operated on the displayed screen. The guide display varies depending on the menu setting screen.
 - The operations for some selected items may be displayed in the operational guide bar at the bottom of the screen.
- ② Item displayed in blue
 - This indicates the item currently selected.
 - Press **ENTER** to go to the adjustment screen for this item.
- ③ Item in brackets
 - This indicates the current setting for the item.
- ④ Item displayed in white
 - This indicates that the item can be selected.
- ⑤ Item displayed in gray
 - This indicates that the item cannot be selected. There are various reasons why the items cannot be selected, but the main reasons are as follows:
 - Nothing is connected to the selected input terminal.
 - The function is not compatible with the current input signal.

NOTE

- Menu options differ in the selected input modes, but the operating procedures are the same.
- The screens in the operation manual are for explanation purposes (some are enlarged, others cropped) and may vary slightly from the actual screens.

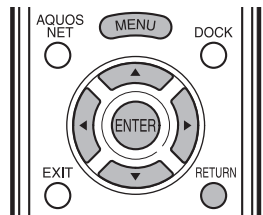
LCFONT:

- This product is embedded with LC Font technology, which was developed by SHARP Corporation for clearly displaying easy-to-read characters on LCD screens.

Menu Operation Buttons

Using the remote control

Use the following buttons on the remote control to operate the menu.

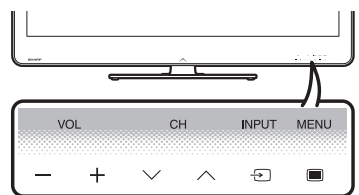


- MENU:** Press to open or close the menu screen.
- ▲/▼/◀/▶:** Press to select a desired item on the screen or adjust a selected item.
- ENTER:** Press to go to the next step or complete the setting.
- RETURN:** Press to return to the previous step.

Using the touch sensor panel of the main unit

You can also operate the menu with the touch sensor panel of the main unit.

Button operations on the touch sensor panel correspond to the ones on the remote control as shown below.



- VOL -/+:** Cursor **◀/▶** on the remote control.
- CH √/∧:** Cursor **▲/▼** on the remote control.
- INPUT:** **ENTER** on the remote control.
- MENU:** **MENU** on the remote control.

Menu Items

NOTE

- When AV MODE is set to "AUTO", part of the menu may not be displayed correctly or the setting range of the menu may be changed.
- Some menu items may not be displayed depending on the selected input source.

Picture Settings

| | |
|-------------------------------------|-------------|
| AV MODE (Changing Pic.Quality)..... | Page 24 |
| OPC..... | Page 24 |
| Backlight..... | Page 24 |
| Contrast..... | Page 24 |
| Brightness..... | Page 24 |
| Color..... | Page 24 |
| Tint..... | Page 24 |
| Sharpness..... | Page 24 |
| Advanced..... | Pages 24-25 |
| C.M.S.-Hue..... | Page 24 |
| C.M.S.-Saturation..... | Page 24 |
| C.M.S.-Value..... | Page 24 |
| Color Temp. | Page 25 |
| Motion Enhancement..... | Page 25 |
| Active Contrast..... | Page 25 |
| Gamma Adjustment..... | Page 25 |
| Black Level..... | Page 25 |
| Film Mode..... | Page 25 |
| Digital Noise Reduction..... | Page 25 |
| 3D-Y/C..... | Page 25 |
| Monochrome..... | Page 25 |
| Range of OPC..... | Page 25 |
| Reset..... | Page 24 |

Audio Settings

| | |
|--------------------|---------|
| Auto Volume..... | Page 26 |
| Treble..... | Page 26 |
| Bass..... | Page 26 |
| Balance..... | Page 26 |
| Surround..... | Page 26 |
| Bass Enhancer..... | Page 26 |
| Reset..... | Page 26 |
| Clear Voice..... | Page 26 |

Power Control

| | |
|-----------------------|---------|
| Audio Only..... | Page 27 |
| Power Saving..... | Page 27 |
| No Signal Off..... | Page 27 |
| No Operation Off..... | Page 27 |

System Options

| | |
|-------------------------------|-----------------|
| View Option..... | Page 28 |
| View Mode..... | Page 28 |
| Freeze..... | Page 28 |
| Change Audio..... | Page 28 |
| Change CC..... | Page 28 |
| DOCK..... | Page 28 |
| AQUOS LINK Setup..... | Page 44 |
| Input Terminal Setting..... | Pages 28-29, 48 |
| Audio Setup..... | Page 28 |
| PC input..... | Page 48 |
| Input Skip..... | Page 28 |
| Input Label..... | Page 28 |
| HDMI Setup..... | Page 28 |
| Output Select..... | Page 29 |
| Color System..... | Page 29 |
| Menu Design..... | Page 29 |
| Language..... | Page 29 |
| Channel Selecting Effect..... | Page 29 |
| Program Title Display..... | Page 29 |
| Position..... | Page 29 |
| Caption Setup..... | Page 29 |
| Game Play Time..... | Page 29 |
| Operation Lock Out..... | Page 29 |
| Icon Light Up Setting..... | Page 30 |
| Demo Mode..... | Page 30 |

Initial Setup

| | |
|-----------------------------|-------------|
| EZ Setup..... | Page 30 |
| Language..... | Page 30 |
| TV Location..... | Page 30 |
| Air/Cable..... | Page 30 |
| CH Search..... | Page 30 |
| Broadcasting Setting..... | Page 31 |
| CH Setup..... | Page 31 |
| Favorite CH..... | Page 31 |
| Antenna Setup-DIGITAL..... | Page 31 |
| Internet Setting..... | Page 51 |
| Individual Setting..... | Pages 31-33 |
| Secret No. | Page 31 |
| Parental CTRL..... | Pages 32-33 |
| Wall Mount Audio Setup..... | Page 31 |
| Reset..... | Page 31 |

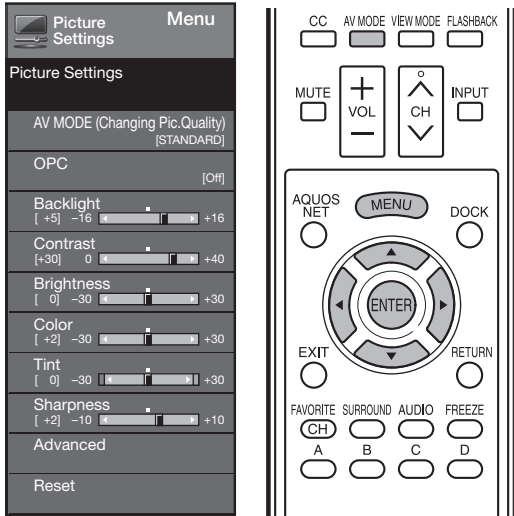
Information

| | |
|----------------------------|-------------|
| Identification..... | Page 34 |
| Digital Caption Info. | Page 34 |
| Software Update..... | Pages 34-36 |
| Manual Update..... | Pages 34-36 |
| Auto Update Setting..... | Page 34 |
| Netflix Help..... | Page 58 |

Picture Settings

Adjusts the picture to your preference with the following picture settings.

Example



- 1 Press **MENU** to display the MENU screen, and then press **◀/▶** to select "Picture Settings".
- 2 Press **▲/▼** to select a specific adjustment item.
 - Select "Advanced" and then press **ENTER** to set "C.M.S.-Hue", "C.M.S.-Saturation", "C.M.S.-Value", "Color Temp.", "Motion Enhancement", "Active Contrast", "Gamma Adjustment", "Black Level", "Film Mode", "Digital Noise Reduction", "3D-Y/C", "Monochrome" or "Range of OPC".
- 3 Press **▲/▼**(or **◀/▶**) to select the desired setting, and then press **ENTER**.
- 4 Press **MENU** to exit.

| Selected item | ◀ button | ▶ button |
|-------------------|---------------------------|----------------------------|
| Backlight | The screen dims | The screen brightens |
| Contrast | For less contrast | For more contrast |
| Brightness | For less brightness | For more brightness |
| Color | For less color intensity | For more color intensity |
| Tint | Skin tones become reddish | Skin tones become greenish |
| Sharpness | For less sharpness | For more sharpness |

- For resetting all Picture adjustment items to the factory preset values, press **▲/▼** to select "Reset", press **ENTER**, press **▲/▼** to select "Yes", and then press **ENTER**.

AV MODE (Changing Pic.Quality)

The audio and video settings can be changed to suit the program or input content being watched. Select from the following AV modes.

■ When the input source is TV, INPUT 1 or 2 terminals:

AUTO/STANDARD/MOVIE/GAME/USER/DYNAMIC/DYNAMIC(Fixed)

■ When the input source is INPUT 3, 4, 5, 6 or 7 terminals:

AUTO/STANDARD/MOVIE/GAME/PC/USER/x.v.Color/DYNAMIC/DYNAMIC(Fixed)

NOTE

- The selectable items vary depending on the input source.
- You can select AV MODE by pressing **AV MODE** on the remote control unit. See page 19 for details of AV MODE settings.

OPC Setting

Automatically adjusts the brightness of the screen.

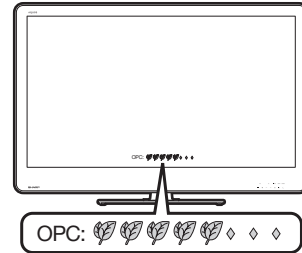
Off: The brightness is fixed at the value set in "Backlight".

On: Automatically adjusts.

On: Display: Displays the OPC effect on the screen while adjusting the brightness of the screen.

NOTE

- When set to "On", the Optical Picture Control (OPC) senses the surrounding light and automatically adjusts the backlight brightness. Make sure nothing obstructs the OPC sensor, which could affect its ability to sense surrounding light.
- When set to "On: Display", OPC effect displays on the screen while the OPC adjusts the screen brightness.



Advanced Picture Settings

This TV provides various advanced functions for optimizing the picture quality.

C.M.S. (Color Management System)

Color tone is managed using the six-color adjustment setting.

C.M.S.-Hue: This is a standard to adjust the color either more reddish or more bluish in tone.

C.M.S.-Saturation: Increases or decreases the saturation of a selected color.

C.M.S.-Value: A higher value makes the image brighter. A lower value makes the image darker.


NOTE

- For resetting all adjustment items to the factory preset values, press **▲/▼** to select "Reset", and then press **ENTER**.

On-Screen Display Menu

Color Temp. (Color Temperature)

For a better white balance, use color temperature correction.

High: White with bluish tone
Mid-High:
Middle: 
Mid-Low:
Low: White with reddish tone

White balance can be adjusted between a maximum of +30 and a minimum of -30 for each color temperature.

R Gain (LO/HI): -30 through +30
G Gain (LO/HI): -30 through +30
B Gain (LO/HI): -30 through +30

NOTE

- For resetting all adjustment items to the factory preset values, press ▲/▼ to select "Reset", and then press ENTER.

Motion Enhancement

Use Motion Enhancement to view fast-action video more clearly.

120Hz High/120Hz Low: For obtaining a clearer image.
Off: Normal image.

NOTE

- "Motion Enhancement" may cause image noise. If this occurs, turn the function "Off".
- When AV MODE is set to "GAME" or PC format is being input, "Motion Enhancement" is not available.

Active Contrast

Automatically adjusts the image contrast according to the scene.

On: Automatically adjusts the image contrast.
Off: No adjustment.

Gamma Adjustment

Adjusts the differences of picture tones between bright parts and dark parts. The adjustment range of the gamma can be set to a maximum of +2 and a minimum of -2 by pressing ◀ or ▶.

Black Level

Adjusts on-screen black level to your preferred level.

High: The black level gets brighter.
Low: The black level gets darker.

NOTE

- "Black Level" is available for input signal from Composite Video, Component 480i and analog broadcasts (air and cable).

Film Mode (3:2 pull-down)

Automatically detects a film-based source (originally encoded at 24 frames/second), analyzes it then recreates each still film frame for high-definition picture quality.

Advanced(High)/Advanced(Low): Select a desired level to remove jerkiness from film contents.

Standard: Detects, analyzes, converts film source.

Off: Normal viewing mode.

NOTE

- "Film Mode" does not function when you set AV MODE to "GAME".
- "Standard" does not function when channel display shows an input signal resolution of 480p, 720p, or 1080p.
- "Film Mode" is not available during PC format input.

Digital Noise Reduction

Produces a clearer video image.

Auto: Automatically adjusts the level of noise reduction.

High/Middle/Low: Select a desired level for viewing a clearer video image.

Off: No adjustment.

NOTE

- "Digital Noise Reduction" is not available during PC format input.
- When AV MODE is set to "GAME", "Auto" is not available.

3D-Y/C

Provides high quality images with minimal dot crawl and cross color noise.

Slow: For still images.

Standard: Normal adjustment.

Fast: For moving images.

NOTE

- "3D-Y/C" is available for input signal from Composite Video and analog broadcasts (air and cable).

Monochrome

For viewing a video in monochrome.

On: For viewing in monochrome.

Off: Normal color.

Range of OPC

The brightness level range of the OPC sensor's automatic adjustments can be set according to your preferences.

The adjustment range of the OPC sensor can be set to a maximum of +16 and a minimum of -16.

Max.: -15 through +16

Min.: -16 through +15

NOTE

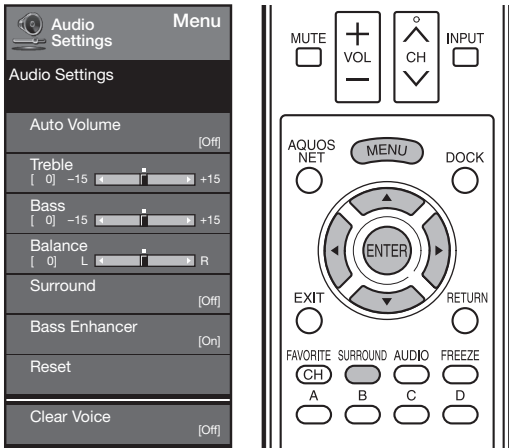
- The "Range of OPC" settings are active only when "OPC" is set to "On".
- The maximum setting cannot be set to a smaller number than the minimum setting.
- The minimum setting cannot be set to a bigger number than the maximum setting.
- Depending on the brightness of the surrounding light, the OPC sensor might not operate if the adjustment range is small.

On-Screen Display Menu

Audio Settings

You can adjust the sound quality to your preference with the following settings.

Example



- 1 Press **MENU** to display the MENU screen, and then press **◀▶** to select "Audio Settings".
- 2 Press **▲/▼** to select a specific adjustment item.
 - Select "Auto Volume", "Surround", "Bass Enhancer" or "Clear Voice", and then press **ENTER** to set each item.
- 3 Press **▲/▼** (or **◀▶**) to select the desired setting, and then press **ENTER**.
- 4 Press **MENU** to exit.

| Selected item | ◀ button | ▶ button |
|----------------|---------------------------------------|--------------------------------------|
| Treble | For weaker treble | For stronger treble |
| Bass | For weaker bass | For stronger bass |
| Balance | Decrease audio from the right speaker | Decrease audio from the left speaker |

NOTE

- Audio menu is grayed out when "Output Select" is set to "Variable". (See page 29.)
- For resetting Audio adjustment items, except "Clear Voice", to the factory preset values, press **▲/▼** to select "Reset", press **ENTER**, press **▲/▼** to select "Yes", and then press **ENTER**.

Auto Volume

Different sound sources sometimes do not have the same loudness level, such as a program and its commercial breaks. The Automatic Volume Control (Auto Volume) reduces this problem by equalizing levels.

High: Reducing the loudness gaps among different sound sources strongly.

Middle:



Low: Reducing the loudness gaps among different sound sources slightly.

Surround

The surround function produces Surround effect from the speakers.

On: Makes it possible to enjoy natural, realistic surround sound.

Off: Outputs the normal sound.

NOTE

- You can choose Surround by pressing **SURROUND** on the remote control unit. (See page 18.)
- Audio Settings menu is grayed out when "Output Select" is set to "Variable". (See page 29.)
- For some discs, setup may be required on your DVD player. In this case, please refer to the operation manual of your DVD player.

Bass Enhancer

This function allows you to enjoy bass-enhanced sound.

On: Bass Enhancer function is on.

Off: Normal sound.

NOTE

- Audio Settings menu is grayed out when "Output Select" is set to "Variable". (See page 29.)

Clear Voice

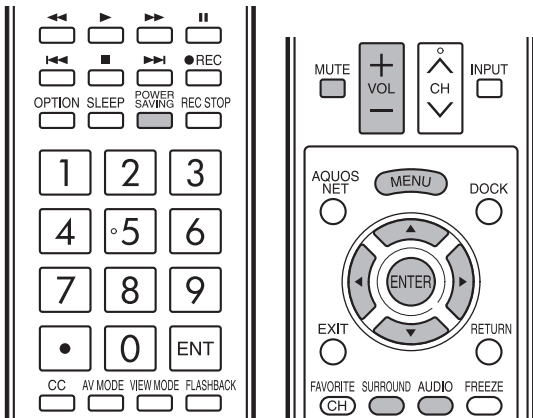
This function emphasizes speech against background noise for greater clarity.

On-Screen Display Menu

Power Control

Power control setting allows you to save energy.

Example



- 1 Press **MENU** to display the MENU screen, and then press **◀▶** to select "Power Control".
- 2 Press **▲/▼** to select a specific adjustment item, and then press **ENTER**.
- 3 Press **▲/▼** (or **◀▶**) to select the desired setting, and then press **ENTER**.
- 4 Press **MENU** to exit.
 - Skip this step for "Audio Only".

Audio Only

When listening to music from a music program, you can turn the screen off and enjoy audio only.

Video On: Audio is output without screen image.

Video Off: Both screen images and audio are output.

NOTE

- The screen image will return to normal when a button (except those for audio adjustment, such as **VOL**, **MUTE**, **SURROUND**, **AUDIO**) is pressed.

Power Saving

This function allows you to set the Power Saving level in order to decrease the power consumption and increase the backlight lifespan.

Standard: Optimizes power reduction based upon video content. When set to "Standard", "🍃" appears on the screen.

Advanced: Optimizes power reduction based upon video content and engages OPC. When set to "Advanced", "🍃" appears on the screen.

Off: This function does not work.

NOTE

- "Power Saving" does not function when you set AV MODE to "AUTO" or "DYNAMIC (Fixed)".
- You cannot select a different Power Saving item for each AV MODE.
 - When "Power Saving" is set, the "OPC" settings for all AV Modes will automatically change.
 - If you set "OPC" to "On" when "Power Saving" is set to "Standard", then the "Power Saving" setting will change to "Advanced".
 - When you change the "Power Saving" setting from "Advanced" to "Off" or to "Standard", "OPC" will be set to "Off".
 - "AUTO" and "DYNAMIC (Fixed)" will remain set to "Off".
- When "Power Saving" is set to "Standard" or "Advanced", the Power Saving leaf icon appears to the left of "OPC" in the Picture Settings menu screen.
- You can select Power Saving by pressing **POWER SAVING** on the remote control unit. (See page 20.)

No Signal Off

When set to "Enable", the power will automatically shut down if there is no signal for 15 minutes.

NOTE

- When it is 5 minutes before the power shuts down, the remaining time will start to keep appearing every minute.
- "Disable" is the factory preset value.
- When a TV program finishes, this function may not operate.

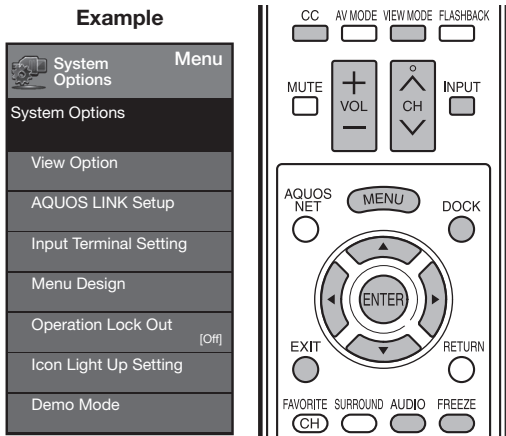
No Operation Off

When set to "Enable", the power will automatically shut down if there is no operation for 3 hours.

NOTE

- When it is 5 minutes before the power shuts down, the remaining time will start to keep appearing every minute.
- "Disable" is the factory preset value.

System Options



- 1 Press **MENU** to display the MENU screen, and then press **◀▶** to select "System Options".
- 2 Press **▲▼** to select a specific adjustment item and then press **ENTER**.
- 3 Press **▲▼** (or **◀▶**) to select the desired setting, and then press **ENTER**.
- 4 Press **MENU** to exit.

View Option

These functions are useful for adjusting the audio and video settings. The View Option functions can be operated with the remote control unit.

View Mode

This function changes the screen size. Select "View Option" on the menu to display the View Mode menu screen. The View Mode menu varies depending on the input source.

NOTE

- You can select View Mode by pressing **VIEW MODE** on the remote control unit.
 - See page 21 for adjusting the video being input from a TV or other audiovisual equipment.
 - See page 47 for adjusting the video being input from a PC.
 - See page 59 for adjusting the video being input from Netflix.

Freeze

Allows you to capture and freeze a moving image that you are watching.

- Select "Freeze" again on the menu and press **ENTER** to return to the normal image.

NOTE

- You can select Freeze by pressing **FREEZE** on the remote control unit. See page 18 for details of Freeze function.

Change Audio

Allows you to change the audio when multiple audio is available for the program you are watching.

NOTE

- You can change Audio by pressing **AUDIO** on the remote control unit. See page 19 for details of Audio function.

Change CC

Allows you to change the Closed Caption display. Select "Change CC" on the menu to display the Closed Caption information.

- The information displayed varies depending on the program you are watching.

NOTE

- You can change Closed Caption by pressing **CC** on the remote control unit. See page 20 for details of Closed Caption function.

DOCK

The DOCK can be displayed by selecting "DOCK" on the MENU screen.

NOTE

- You can display the DOCK by pressing **DOCK** on the remote control unit. (See page 20.)

Input Terminal Setting

Audio Setup

You can output digital audio to an AV amplifier or similar device whose DIGITAL AUDIO INPUT terminal is connected to the DIGITAL AUDIO OUTPUT terminal on the TV. Please select an audio output format compatible with the audio format of the program you are watching and the equipment connected.

PCM: The optical output terminal outputs audio signal in PCM form. If your digital audio system does not support Dolby Digital, select "PCM".

Dolby Digital: The optical output terminal outputs audio signal in Dolby Digital form. It reproduces sound from surround program of digital.

Input Skip

This setting allows you to skip the HDMI or PC-IN Input ("Input 3 (PC)", "Input 4 (HDMI)", "Input 5 (HDMI)", "Input 6 (HDMI)" and "Input 7 (HDMI)") on the Input Selection operation.

Yes: Skips the input.

No: Does not skip input.

Input Label

Lets you set the input terminal displayed when using the CH List or channel display. Press **▲▼/◀▶** to select the new name for the input mode.

- Using the software keyboard, you can enter up to 10 characters for text. (See page 52.)

NOTE

- You cannot change labels if the input source is TV.

HDMI Setup

To watch an HDMI or PC-IN equipment image, select "INPUT4", "INPUT5", "INPUT6" or "INPUT7" from the CH List using **INPUT** on the remote control unit or on the TV.

Auto View:

Enable: To use View Mode based on signal recognition, including an HDMI signal.

Disable: No function.

NOTE

- Refer to your external equipment operation manual for the signal type.
- When connecting a DVI-HDMI conversion adapter/cable to the HDMI terminal, the image may not come in clearly.

On-Screen Display Menu

Output Select

Allows you to select what controls the audio output.

Fixed: Sound via speaker is adjusted with **VOL +/–** on the remote control unit or **VOL –/+** on the TV.

Sound via the AUDIO OUT terminal is not adjustable and outputs at a consistent level.

Variable: Sound via the AUDIO OUT terminal is adjusted with **VOL +/–** on the remote control unit or **VOL –/+** on the TV.

Sound via speaker is muted.

Color System

Select the video signal system compatible with your equipment from the list below:

Auto/NTSC/PAL-M/PAL-N

NOTE

- "Color System" can only be set for the INPUT 2.
- If you have already set the Secret No., input the 4-digit secret number here. See page 31 for setting a secret number.

Menu Design

Language

You can also select a language from the System Options menu. Select from among 3 languages: English, French and Spanish.

Channel Selecting Effect

You can select whether to use transition effects when changing channels.

Yes: A transition effect is used when the channel is changed.

No: No function.

Program Title Display

Select the CH display when changing channels for digital broadcasting.

Yes: "Program Info." displays.

No: "Program Info." does not display.

Position

For adjusting a picture's horizontal and vertical position.

H-Pos.: Centers the image by moving it to the left or right.

V-Pos.: Centers the image by moving it up or down.

NOTE

- For resetting adjustments to the factory preset values, press **▲/▼** to select "Reset", and then press **ENTER**.
- When connecting a PC to the HDMI terminal, the image position will be automatically adjusted. It cannot be manually adjusted.
- The screen position variable ranges depend on the View Mode or the signal type. The ranges can be seen on the position-setting screen.
- Adjustments are stored separately according to input source.

Caption Setup

This function allows you to adjust the closed caption screen appearance to suit your preference. You can adjust 7 items: "Caption Size", "Font Style", "Foreground Color", "Foreground Opacity", "Background Color", "Background Opacity" and "Character Edge".

Example:

Selectable items available for "Font Style".

Default: The font specified by broadcasting station or default font.

Type 0: Proportional font used in the MENU screen.

Type 1: Monospaced with serifs.

Type 2: Proportionally spaced with serifs.

Type 3: Monospaced without serifs.

Type 4: Proportionally spaced without serifs.

Type 5: Casual font type.

Type 6: Cursive font type.

Type 7: Small capitals.

NOTE

- For resetting adjustments to the factory preset values, press **▲/▼** to select "Reset", and then press **ENTER**.
- The default value depends on the broadcasting station.

Game Play Time

This function displays the elapsed game time so you do not lose track of the time. To display the elapsed time, select "GAME" for the AV MODE before starting the game.

On: The elapsed time is displayed every 30 minutes when you switch to GAME mode in external input mode.

Off: No adjustment.

Operation Lock Out

This function locks the operation buttons on the TV and the remote control.

Off: No adjustment.

RC Control Lock: All buttons on the remote control are locked.

Button Control Lock: All buttons on the TV, except **POWER**, are locked.

When "RC Control Lock" or "Button Control Lock" is selected, a confirmation screen appears.

On: Locks the operation buttons.

Off: No adjustment.

NOTE

- To unlock the buttons on the remote control by using the touch sensor panel of the main unit (see page 22):
 - ① Press **MENU** to display the MENU screen, and then press **VOL –/+** to select "System Options".
 - ② Press **CHV/▲** to select "Operation Lock Out", and then press **INPUT**.
 - ③ Press **CHV/▲** to select "Off", and then press **INPUT**.
 - ④ Press **MENU** to exit.
- To unlock the buttons on the TV, press **MENU** on the remote control, and then select "Off" in "Operation Lock Out".

On-Screen Display Menu

Icon Light Up Setting

When this function is set to "On", the LED on the front of the TV turns on.

NOTE

- "On" is the factory preset value. If you want to turn off the LED, set the function to "Off".

Demo Mode

You can select the image from several types of demo mode.

4 Color LCD/AQUOS Net/Feature Demo/Auto Play

If you select "Auto Play", you need to set playback type.

Continuous: Play Demos continuously.

10 min.: Play Demos every 10 minutes.

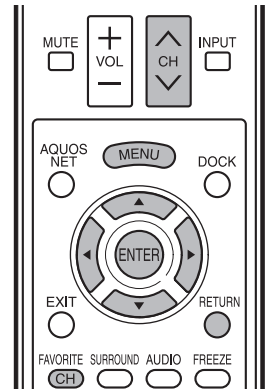
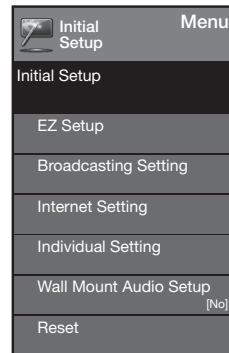
20 min.: Play Demos every 20 minutes.

NOTE

- This function will be canceled when you press **EXIT** on the remote control unit.
- When "Demo Mode" is set to "4 Color LCD", "AQUOS Net" or "Feature Demo", pressing **FREEZE** pauses/restarts demo.
- "Demo Mode" may not be selected depending on input signal type.
- "Demo Mode" may be automatically canceled depending on input signal type.

Initial Setup

Example



- 1 Press **MENU** to display the MENU screen, and then press **◀▶** to select "Initial Setup".
- 2 Press **▲▼** to select a specific adjustment item, and then press **ENTER**.
 - When you select "EZ Setup", "CH Setup", "Parental CTRL" or "Reset", you can enter the 4-digit secret number here. See page 31 for setting a secret number.
- 3 Press **▲▼** (or **◀▶**) to select the desired setting, and then press **ENTER**.
- 4 Press **MENU** to exit.

EZ Setup

You can run EZ Setup again, even after setting up the preset channels.

Language: Select from among 3 languages (English, French and Spanish).

TV Location: Select "Home" or "Store" for the location where you plan to install the TV. This product qualifies for ENERGY STAR in Home mode default setting.

Home: "Power Saving" is set to "Advanced", and AV MODE is set to "STANDARD".

Store: "Power Saving" is set to "Off" and AV MODE is set to "DYNAMIC (Fixed)". Picture Reset and Feature Demo can be set.

Picture Reset: AV MODE will be set to "DYNAMIC (Fixed)" regardless of whether Picture Reset is "On" or "Off". If you select "On", AV MODE will be reset to "DYNAMIC (Fixed)" if there is no operation for 30 minutes. When "Off" is selected, AV MODE will be set to "DYNAMIC (Fixed)".

Feature Demo: When "On" is selected, after all the settings are completed, the Feature Demo screen is displayed if there is no operation for several minutes.

- ENERGY STAR qualification is based on AV MODE "STANDARD".

Air/Cable: Make sure what kind of connection is made with your TV when selecting "Air" or "Cable".

CH Search: Channel auto search makes the TV look for all channels viewable in the set area.

NOTE

- See Initial Installation on page 17 for setting each item.
- If no channel is found, confirm the type of connection made with your TV and try "EZ Setup" again.
- If you select "Analog Search Start" and initiate the channel search, the CH Memory for Cable Digital will be deleted.

On-Screen Display Menu

Broadcasting Setting

CH Setup

If Initial Installation does not memorize all the channels in your region, follow the instructions below to manually memorize the channels.

Air/Cable: Make sure what kind of connection is made with your TV when selecting "Air" or "Cable".

CH Search: Channel auto search makes the TV look for all channels viewable in the set area.

CH Memory: You can select the channels to skip in each ANALOG (Air), ANALOG (Cable), DIGITAL (Air) and DIGITAL (Cable).

On: Skips channels. (Channel selection disabled using CH \wedge/\vee .)

Off: Does not skip channels. (Channel selection enabled using CH \wedge/\vee .)

Remove Scrambled CH: This function makes the TV look for and then delete digital cable channels that are scrambled and so unavailable in the set area. The process may take more than 20 minutes.

Yes: Starts to remove scrambled channels.

No: This function does not work.

NOTE

- See Initial Installation on page 17 for setting each item.
- If no channel is found, confirm the type of connection made with your TV and try channel search again.
- If you select "Analog Search Start" and initiate the channel search, the CH Memory for Cable Digital will be deleted.

Favorite CH (Favorite Channel Setting)

This function allows you to program 4 favorite channels, in 4 different categories. By setting the favorite channels in advance, you can select your favorite channels easily.

To register your favorite channel:

Select "Register" and then press **ENTER**. Press $\blacktriangle/\blacktriangledown/\blacktriangleleft/\blacktriangleright$ to select the position in the category, and then press **ENTER** to register.

To delete your favorite channel:

Select "1 Data Clear" and then press **ENTER**. Press $\blacktriangle/\blacktriangledown/\blacktriangleleft/\blacktriangleright$ to select the channel you want to delete, and then press **ENTER**. Select "Yes" and then press **ENTER**.

To delete all the favorite channels, select "All Data Clear".

NOTE

- Before setting the channel, select the channel you want to register as a favorite channel.
- You can display the "Favorite CH" screen by pressing **FAVORITE CH** on the remote control.

Antenna Setup-DIGITAL

In order to receive digital air broadcasts, you need a digital broadcast antenna. You can confirm the antenna configuration through the "Antenna Setup-DIGITAL" screen. If necessary, adjust the direction of the antenna to obtain the maximum signal strength.

Signal Strength: The signal strength of DIGITAL channel is displayed. The signal information is based on the current channel.

Channel Strength: Input the 2-digit channel number to check the signal strength of the selected channel. Make sure the signal is strong enough for each channel.

- This function is available for DIGITAL (Air) only.

Wall Mount Audio Setup

This selects the optimal audio for the program you are currently watching even when the TV is mounted to a wall.

Yes: Selects the optimal audio.

No: No adjustment.

Reset

If complex adjustments are made and the settings cannot be restored to normal, you can reset the settings to the factory preset values.

- If you have already set the Secret No., input the 4-digit secret number here.

NOTE

- The Channel Setup settings will not be changed.
- The Language settings will not be changed.
- The Secret number settings will not be changed.
- The TV Location settings will not be changed.

Individual Setting

Secret No.

Allows you to use a secret number to protect certain settings from being accidentally changed.

IMPORTANT:

Three conditions must be met to enable the V-Chip (see pages 32 to 33):

1. Secret No. is registered.
2. V-Chip/V-Chip (DTV Only) settings have been made.
 - The "V-Chip (DTV Only)" will only be selectable when a new rating system can be downloaded via digital broadcasting in the U.S.
3. "Status" is set to "On".

■ Setting the Secret No.

You can set and change the secret number by using 0-9.

Yes: Changes or sets the Secret No.

No: The confirmation screen to clear the Secret No. appears when the Secret No. has been set. When the Secret No. has not been set, the previous screen will be displayed.

■ Secret No. Clear

You can clear your secret number.

Yes: Your secret number is cleared.

No: Your secret number is not cleared.

NOTE

- As a precautionary measure, make a note of your secret number and keep it in a familiar place.
- If the secret number is cleared, the Status setting automatically sets to "Off". "V-Chip" and "Status" will not be selectable from the menu.

On-Screen Display Menu

Parental CTRL (Parental Control Setting)

Status

Used to enable or disable the parental control function. This function will not be selectable from the menu if you do not first configure your secret number.

- On:** Enables Parental CTRL.
- Off:** Disables Parental CTRL.

V-Chip

V-CHIP is an electronic filtering device built into your TV. This tool gives parents a great degree of control over broadcasts accessed by their children. It allows parents to select programs judged suitable for child viewing while blocking ones judged not suitable. It does so automatically once you activate the V-CHIP feature in your TV. "V-Chip" and "Status" will not be selectable from the menu if you do not first configure your secret number.

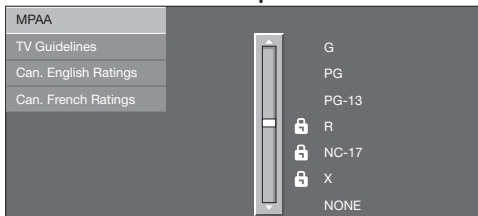
- The U.S. has two rating systems for viewing content: TV Parental Guidelines and movie ratings.
- The TV Parental Guidelines work in conjunction with the V-CHIP to help parents screen out inappropriate television shows from their children.
- Movie ratings are used for original movies rated by the Motion Picture Association of America (MPAA) as watched on cable TV and not edited for television. The V-CHIP can also be set to block MPAA-rated movies.

NOTE

- The setting automatically enters "Block" for any ratings below your selection.
- If Status is not set to "On", the configuration settings will not work.

MPAA (Voluntary movie rating system)

Example



Press ▲/▼ to adjust the item to your desired position. "Ⓐ" indicates the item is blocked. Press **MENU** to exit.

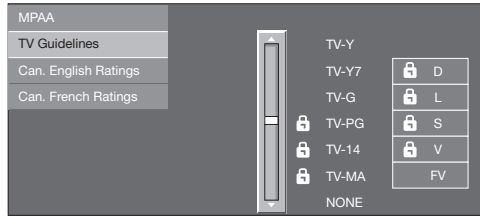
- G:** General audiences. All ages admitted.
- PG:** Parental guidance suggested. Some material may not be suitable for children.
- PG-13:** Parents strongly cautioned. Some material may be inappropriate for children under 13.
- R:** Restricted. Under 17 requires accompanying parent or adult guardian (age varies in some jurisdictions).
- NC-17:** No one 17 and under admitted.
- X:** X is an older rating that is unified with NC-17 but may be encoded in the data of older movies.

NOTE

- Voluntary movie rating system only uses an age-based rating.

TV Parental Guidelines

Example

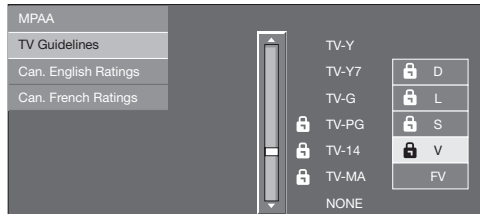


Press ▲/▼ to adjust the item to your desired position. "Ⓐ" indicates the item is blocked. Press **MENU** to exit.

Suggested age

- TV-Y:** All children.
- TV-Y7:** Directed to older children.
- TV-G:** General audience.
- TV-PG:** Parental Guidance suggested.
- TV-14:** Parents strongly cautioned.
- TV-MA:** Mature audience only.

Example



When setting an individual content-based rating item:

- Press ► or **ENTER** to access blocked content items from the currently selected age-based rating item.
- Press ▲/▼ to select an individual item, and then press **ENTER** to unblock it ("Ⓐ" is removed). Repeat the same steps for the other items.
- Press ◀ or **RETURN** to register after all individual content rating items are set.

Content

- FV:** Fantasy violence.
- V:** Violence.
- S:** Sexual situation.
- L:** Adult language.
- D:** Sexually suggestive dialog.

| Rating | Content | | | | | |
|---------------|---------|---|---|---|---|---|
| | FV | V | S | L | D | |
| Suggested age | TV-Y | ☒ | ☒ | ☒ | ☒ | ☒ |
| | TV-Y7 | × | ☒ | ☒ | ☒ | ☒ |
| | TV-G | | ☒ | ☒ | ☒ | ☒ |
| | TV-PG | | × | × | × | × |
| | TV-14 | | × | × | × | × |
| | TV-MA | | × | × | × | |

☒ : The content rating can be set, but this rating is not normally broadcast by TV stations.

× : Content rating can be set.

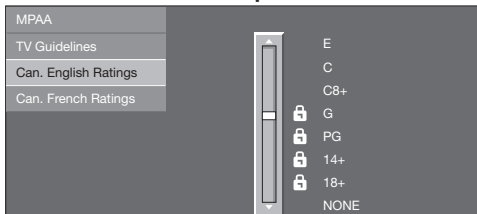
On-Screen Display Menu

Canadian Rating Systems (Canadian English ratings and Canadian French ratings)

- The TV rating systems in Canada are based on the Canadian Radio-Television and Telecommunications Commission (CRTC) policy on violence in television programming.
- While violence is the most important content element to be rated, the structure developed takes into consideration other program content like language, nudity, sexuality and mature themes.
- When setting the V-CHIP on the Canadian system you can choose either the Canadian English ratings or the Canadian French ratings.

■ Canadian English Ratings

Example

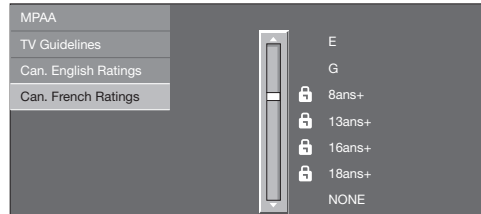


Press ▲/▼ to adjust the item to your desired position. "🔒" indicates the item is blocked. Press **MENU** to exit.

- E:** Exempt: Includes news, sports, documentaries and other information programming; talk shows, music videos, and variety programming.
- C:** Children: Intended for younger children under the age of 8 years. Pays careful attention to themes that could threaten their sense of security and well-being.
- C8+:** Children over 8 years old: Contains no portrayal of violence as the preferred, acceptable, or only way to resolve conflict; nor encourage children to imitate dangerous acts which they may see on the screen.
- G:** General: Considered acceptable for all age groups. Appropriate viewing for the entire family, contains very little violence, physical, verbal or emotional.
- PG:** Parental Guidance: Intended for a general audience, but may not be suitable for younger children (under the age of 8) because it could contain controversial themes or issues.
- 14+:** Over 14 years: Could contain themes where violence is one of the dominant elements of the storyline, but it must be integral to the development of plot or character. Language usage could be profane and nudity present within the context of the theme.
- 18+:** Adults: Intended for viewers 18 years and older and might contain depictions of violence, which while related to the development of plot, character or themes, are intended for adult viewing. Could contain graphic language and portrayals of sex and nudity.

■ Canadian French Ratings

Example



Press ▲/▼ to adjust the item to your desired position. "🔒" indicates the item is blocked. Press **MENU** to exit.

E: Exempt programming.

G: General: All ages and children, contains minimal direct violence, but may be integrated into the plot in a humorous or unrealistic manner.

8ans+: General but inadvisable for young children: May be viewed by a wide public audience, but could contain scenes disturbing to children under 8 who cannot distinguish between imaginary and real situations. Recommended for viewing with parent.

13ans+: Over 13 years: Could contain scenes of frequent violent scenes and therefore recommended for viewing with parent.

16ans+: Over 16 years: Could contain frequent violent scenes and intense violence.

18ans+: Over 18 years: Only for adult viewing. Could contain frequent violent scenes and extreme violence.

■ How to temporarily release the V-CHIP BLOCK

When the V-CHIP BLOCK is working and censors a broadcast, "V-CHIP HAS BEEN ACTIVATED." displays.

- 1 Press **ENTER** while the V-CHIP is working, and then the secret number setting menu displays.
- 2 Input the 4-digit secret number by using **0-9**. At this time V-CHIP BLOCK temporarily releases.

■ Reactivating the temporarily released V-CHIP BLOCK

You can reactivate the temporarily released V-CHIP BLOCK as shown below.

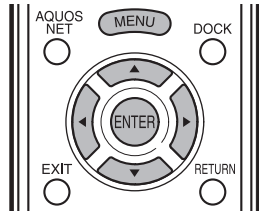
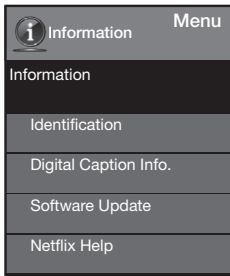
- Select "Status" setting from the Parental CTRL menu to reactivate BLOCK. (See page 32.)
- Select "V-Chip" setting ("MPAA", "TV Guidelines", "Can. English Ratings" or "Can. French Ratings") from the Parental CTRL to reactivate BLOCK. (See pages 32 to 33.)
- Switch off the TV power.

NOTE

- Performing any of the three above will activate the V-CHIP BLOCK.

Information

Example



- 1 Press **MENU** to display the MENU screen, and then press **◀/▶** to select "Information".
- 2 Press **▲/▼** to select a specific adjustment item, and then press **ENTER**.
- 3 Press **▲/▼** (or **◀/▶**) to select the desired setting, and then press **ENTER**.
- 4 Press **MENU** to exit.

Identification

The current version of the TV software is displayed.

**Digital Caption Info.
(Digital Caption Information)**

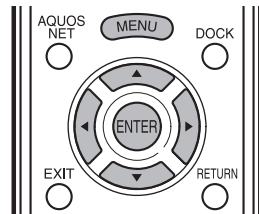
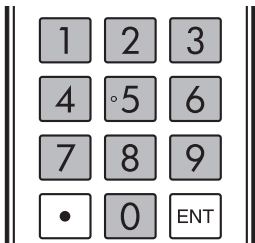
This function allows viewing of digital closed caption information for the digital broadcast program being viewed.

NOTE

- This list is not displayed for analog broadcasts or external input audio/video.
- This information is not included in CC1, CC2, Text1, or Text2, and is not displayed in a list.

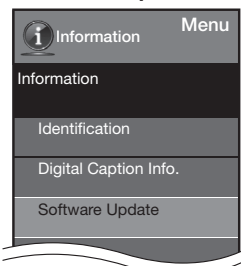
Software Update

This is used to upgrade the system software to enhance the TV functions.

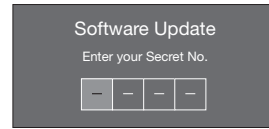


- 1 Press **MENU** to display MENU screen, and then press **◀/▶** to select "Information".
- 2 Press **▲/▼** to select "Software Update", and then press **ENTER**.
 - If you have already set the Secret No., go to step 3.

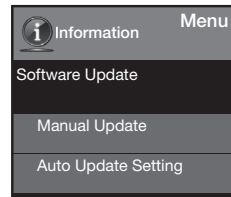
Example



- 3 Input the 4-digit secret number by using **0-9**.



- 4 Press **▲/▼** to select "Manual Update" or "Auto Update Setting", and then press **ENTER**.
 - The operations thereafter vary depending on the setting.



Manual Update

Select the method for manually updating the software.

Network Update: Downloads the update file via the network and then updates the software. (See page 35.)

USB memory: Updates the software using a USB memory device containing the update file. (See pages 35 to 36.)

NOTE

- A broadband connection and Internet Setting are required to update the software using the network. (See page 51.)
- It may take time to access and download the update depending on the Internet connection and other factors.

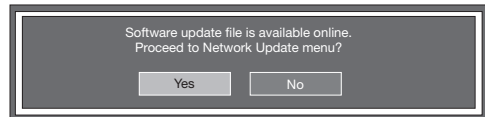
Auto Update Setting

When the TV is on or Netflix is used, this function enables the TV to connect to the network and check for updates automatically.

Yes: Enables Auto Update Setting.

No: Disables Auto Update Setting.

When an update is available, a message is displayed. Press **◀/▶** to select "Yes", and then press **ENTER** to display the download screen. (See page 35.)



NOTE

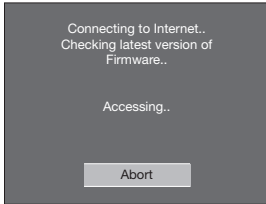
- This function does not work when a broadband connection or Internet Setting is not available.

On-Screen Display Menu

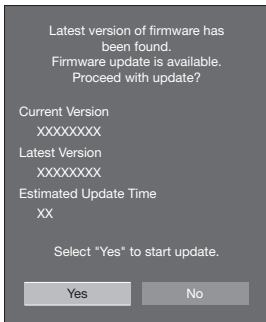
■ Updating the Software via the Network

1 Press ◀/▶ on the Manual Update screen to select "Network Update", and then press **ENTER**.

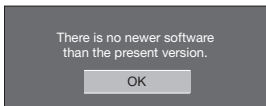
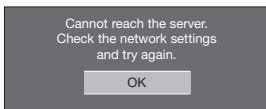
- The TV connects to the network and checks for updates.
- To cancel, press **ENTER**.



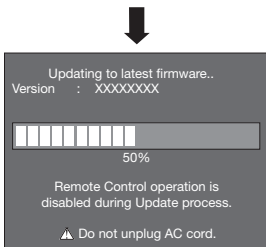
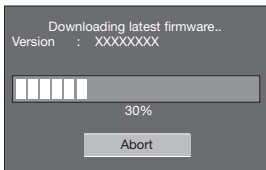
2 The current version of the TV and the latest version of firmware are displayed. To update the TV software, select "Yes", and then press **ENTER**.



- When a server connection cannot be established or an update is not available, a message is displayed. If a server connection cannot be established, check the broadband connection and Internet Setting.



3 After the update file is downloaded, the software update process begins.



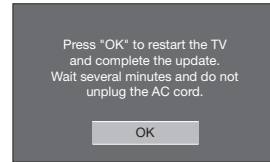
CAUTION

- Do not unplug the AC cord while the software is being updated.

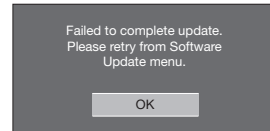
4 When the software is successfully updated, a screen is displayed indicating that the update process is completed.

Press **ENTER**.

The TV restarts, and it takes a while until the system update is completed. Do not unplug the AC cord.



- If the software was not updated successfully, check the broadband connection and Internet Setting, and then try updating the software again.



■ Updating the Software with a USB Memory Device

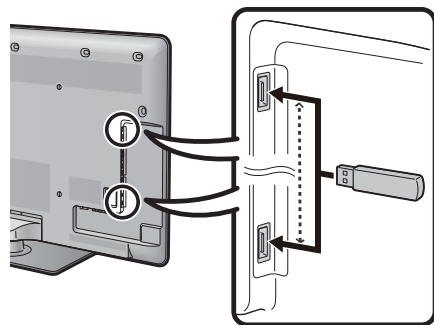
To check for the availability of a software update, visit <http://www.sharppusa.com/products/support/>. If you have any questions, please call 1-800-BE-SHARP (800-237-4277).

CAUTION

- Do not remove the USB memory device or unplug the AC cord while the software is being updated.
- Be sure to properly follow the whole procedure described below, step by step. Otherwise, for example, the TV cannot read the data in the USB memory device and software updating will fail.

1 Insert the USB memory device with the update file into the USB 1 or USB 2 terminal on the TV.

- When you update the software, use only one USB terminal. Either USB 1 or USB 2 is usable.



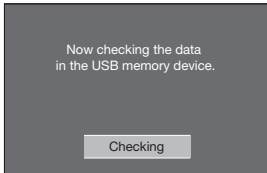
2 Press ◀/▶ on the Manual Update screen to select "USB Memory", and then press **ENTER**.

On-Screen Display Menu

- 3 Press **ENTER** to start checking the data in the USB memory device.

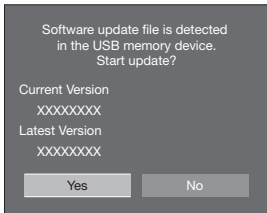


- 4 During the data checking, "Checking" blinks.

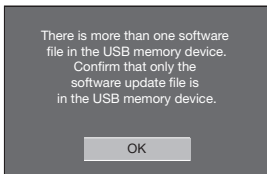
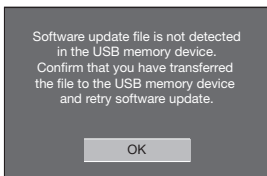


- The current version of the TV software and the version of the update file on the USB memory device are displayed. To update the TV software with the update file, select "Yes", and then press **ENTER**.

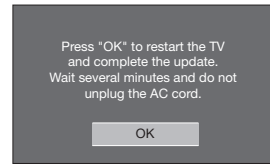
Example



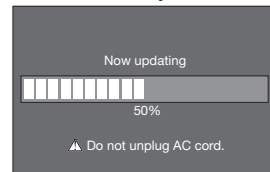
- If the USB memory device is not properly installed or the correct update file cannot be found on the USB memory device, an error message is displayed. Check the file on the USB memory device, and then reinsert the USB memory device correctly.



- 5 Press **ENTER** to start updating.



Example

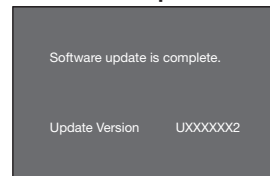


CAUTION

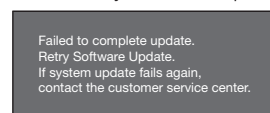
- Do not remove the USB memory device or unplug the AC cord while the software is being updated.**

- 6 When the software is successfully updated, a screen is displayed indicating that the update process is completed. After this screen is displayed, the TV automatically turns off and then turns on again.

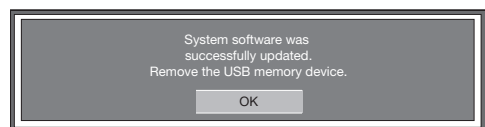
Example



- If the update has failed, check the file in the USB memory device and try Software Update again.



- 7 After the screen shown below is displayed, press **ENTER**.



- 8 Remove the USB memory device.

Enjoying Photo and Music Playback

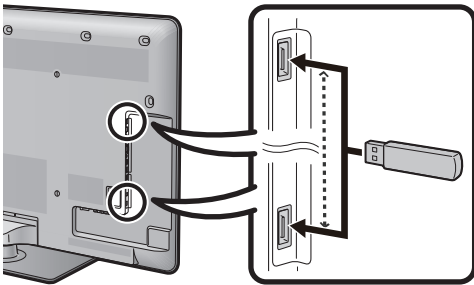
You can enjoy viewing photos and listening to music from external USB memory devices.

NOTE

- Depending on the USB memory device, the TV may not be able to recognize the recorded data.
- Use only alphanumeric characters for naming files.
- File names over 80 characters (may vary depending on character set) may not be displayed.
- Do not remove a USB memory device or memory card from the TV while transferring files, using the slide show function, or switching screens, or before you exit "USB" from the CH List.
- Do not insert and remove a USB memory device to and from the TV repeatedly.
- When using a card reader, be sure to insert Memory first before using the card reader.
- USB input cannot be selected when displaying the browser (including the Sidebar Widget). Close the browser first.

Viewing Photos and Listening to Music

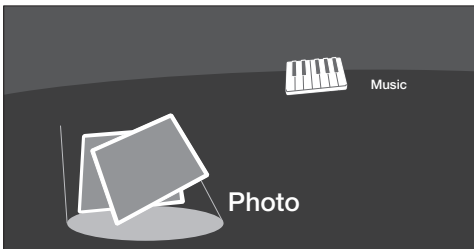
- 1 Insert the USB memory device with recorded photos or music into the USB 1 or USB 2 terminal on the TV.
 - The USB Media screen is displayed.
 - If USB memory devices are inserted into both terminals, the USB 1 terminal has priority.
 - The display varies depending on the type of data recorded in the USB memory device.



CAUTION

- Do not use a USB extension cable when connecting a USB memory device to the USB terminal on the TV.
- Using a USB extension cable may prevent the TV from performing correctly.

Example



- 2 Press **◀/▶** to select "Photo" or "Music", and then press **ENTER**.
- 3 Press **▲/▼/◀/▶** to select the drive where you want to find your files, and then press **ENTER**.
 - You can display the USB MENU screen by pressing **D**.
 - If the TV is turned off and then on again, the number assigned to the USB drive may change.

Example

| | | | |
|--------|--------|--------|--------|
| Drive1 | Drive2 | Drive3 | Drive4 |
| Drive5 | Drive6 | | |

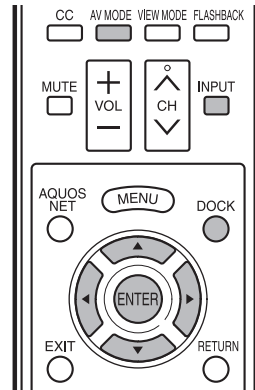
- 4 Press **◀/▶** to select the desired folder, and then press **ENTER**.

NOTE

- You do not need to select the drive in step 3 when there is only one drive in the connected USB device.
- Up to 16 drives can be displayed.

Displaying the USB Media Screen

The USB Media screen can be displayed even by using the menu screen.



■ When displaying the data with the CH List screen

- 1 Press **INPUT** to display the CH List screen.
- 2 Press **▲/▼** or press **INPUT** again to select "USB".
 - The display varies depending on the type of data recorded in the USB memory device.

NOTE

- You cannot enter this mode when a USB memory device is not inserted into the TV.
- "VIEW MODE" is fixed during this mode.
- "USER (USB)" is the default value for AV MODE setting. Each time you press **AV MODE**, the mode changes between "USER (USB)", "DYNAMIC (Fixed)", "DYNAMIC" and "STANDARD".

■ When displaying the data with the DOCK

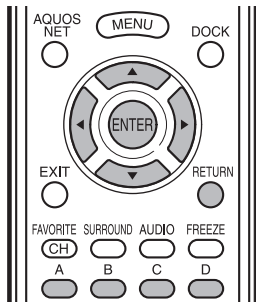
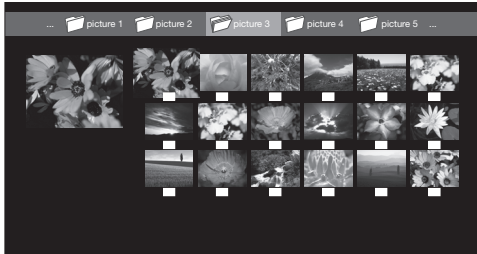
- 1 Press **DOCK** to display the DOCK.
- 2 Press **◀/▶** to select "USB Media", and then press **ENTER**.

Enjoying Photo and Music Playback

Photo Mode

Viewing Thumbnails

Example



| Buttons | Description |
|-------------------|--|
| ENTER | Display the photo. |
| ▲/▼/◀/▶ | Select a desired item. |
| RETURN | Return to the previous process. |
| A (red) | Select the images to be displayed. Press this button to add or remove a checkmark. |
| B (green) | Display the music list screen. |
| C (blue) | Start the slide show. |
| D (yellow) | Display the USB MENU screen. |

NOTE

- When there are invalid photo files, the **X** mark will be displayed for the file.
- You can see the file name, shooting date, file size and pixel size of the selected photo in the lower-left corner of the screen (shooting date is only available in the EXIF file format).

Viewing Individual Photos

The photo selected on the thumbnail selection screen is displayed.

| Buttons | Description |
|------------------|--|
| ◀/▶ | Go to the previous/next photo in the same directory. |
| RETURN | Return to the thumbnail selection screen. |
| A (red) | Rotate the photo by 90 degrees to the left. |
| B (green) | Rotate the photo by 90 degrees to the right. |
| C (blue) | Reveal/hide the Guide Display. |

NOTE

- Rotating photos only applies to the temporarily selected item and this setting is not saved.

Slide Show

The photos displayed on the thumbnail selection screen are displayed as a slide show.

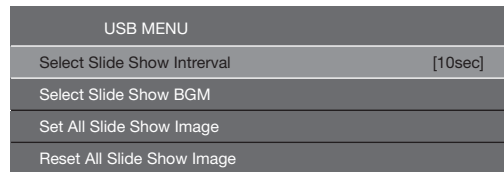
| Buttons | Description |
|-------------------|---|
| RETURN | Return to the thumbnail selection screen. |
| C (blue) | Reveal/hide the Guide Display. |
| D (yellow) | Display the USB MENU screen. |

NOTE

- The selected BGM is played repeatedly.
- The slide show continues until you press **RETURN**.
- For setting the slide show speed, select "Select Slide Show Interval" on the USB MENU screen.

USB Menu

Example

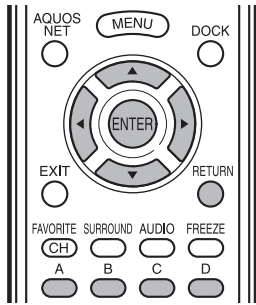


Select Slide Show Interval

Specify the length of time before the next image appears.

- Press **D** to display the USB MENU screen.
- Press ▲/▼ to select "Select Slide Show Interval", and then press **ENTER**.
- Press ▲/▼ to select "10sec", "30sec" or "60sec", and then press **ENTER**.

Enjoying Photo and Music Playback

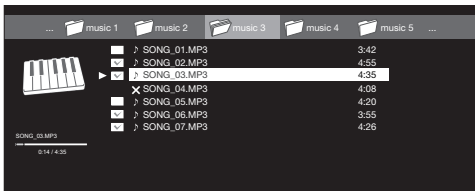


Select Slide Show BGM

You can select the music to be played in the background while the slide show is being displayed.

- 1 Press **D** to display the USB MENU screen.
- 2 Press **▲/▼** to select "Select Slide Show BGM", and then press **ENTER**.
 - The list screen is displayed.
 - You can display the list screen by pressing **B** on the thumbnail selection screen.
- 3 Select the music.
 - Checkmarks are added to the selected music.

Example



| Buttons | Description |
|-------------------|---|
| ENTER | Play music. |
| ▲/▼/◀/▶ | Select a desired item. |
| RETURN | Return to the previous process. |
| A (red) | Select the music to be played back. Press this button to add or remove a checkmark. |
| B (green) | Stop music. |
| C (blue) | Play/Pause music. |
| D (yellow) | Display the USB MENU screen. |

- 4 Press **RETURN** to display the thumbnail selection screen, and then press **C** to start the slide show and the background music.

NOTE

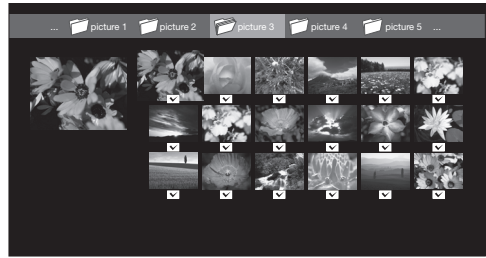
- All of the music files are selected by default.

Set/Reset All Slide Show Image

Set or reset the images to be displayed.

- 1 Press **D** to display the USB MENU screen.
- 2 Press **▲/▼** to select "Set All Slide Show Image"/"Reset All Slide Show Image", and then press **ENTER**.
 - When you select "Set All Slide Show Image", checkmarks are added to all the images.
 - When you select "Reset All Slide Show Image", remove all the checkmarks from all the images.

Example



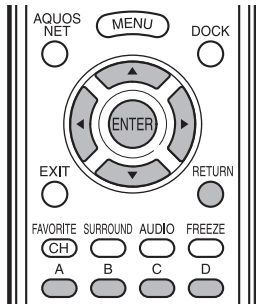
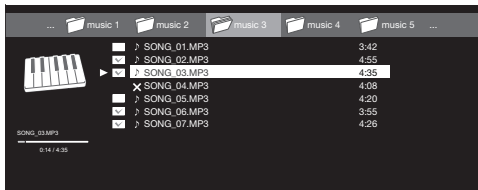
- 3 Press **C** to start the slide show.

NOTE

- If no images have been selected, "Cannot display the data" is displayed and the slide show does not start.

Music Mode

Example



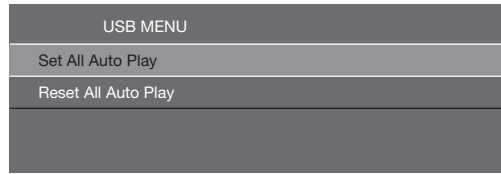
| Buttons | Description |
|-------------------|---|
| ENTER | Play music. |
| ▲/▼/◀▶ | Select a desired item. |
| RETURN | Return to the previous process. |
| A (red) | Select the music to be played back. Press this button to add or remove a checkmark. |
| B (green) | Stop music. |
| C (blue) | Play/Pause music. |
| D (yellow) | Display the USB MENU screen. |

NOTE

- When there are invalid music files, the X mark will be displayed for the file.
- The displayed play time may differ slightly from the actual play time depending on the files.

USB Menu

Example



Set/Reset All Auto Play

Set or reset the music to be played back.

- 1 Press **D** to display the USB MENU screen.
- 2 Press **▲/▼** to select "Set All Auto Play"/"Reset All Auto Play", and then press **ENTER**.
 - When you select "Set All Auto Play", checkmarks are added to all the music files.
 - When you select "Reset All Auto Play", remove all the checkmarks from all the music files.
- 3 Press **C** to play back the music.

NOTE

- If no music files have been selected, "Cannot playback the audio file" is displayed and the music is not played back automatically.

USB Memory Device Compatibility

| | |
|-------------------|--|
| USB memory device | USB Memory, USB card reader (Mass Storage class) |
| File system | FAT/FAT32 |
| Photo file format | JPEG (.jpg) (DCF2.0 compliant) |
| Music file format | MP3 (.mp3) Bitrate: 32k, 40k, 48k, 56k, 64k, 80k, 96k, 112k, 128k, 160k, 192k, 224k, 256k, 320kbps Sampling frequency: 32k, 44.1k, 48kHz |

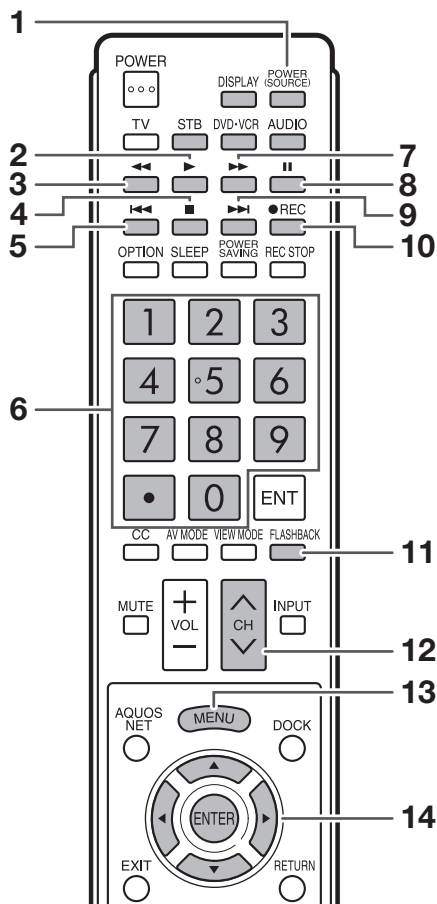
NOTE

- Progressive format jpeg files are not supported.
- Music files in USB 1.1 devices may not be played properly.
- Operation using USB hubs is not guaranteed.

Other Viewing Options

Presetting Remote Control Function

You can operate the connected AV products (AV receiver, cable box, SAT tuner, DTV, VCR, DVD, BD, LD) using the presetting manufacturer function of your remote control unit.



Presetting manufacturer codes

- 1 Press an appropriate button (**STB**, **DVD-VCR** or **AUDIO**) to operate the connected equipment.
- 2 Press an appropriate button (**STB**, **DVD-VCR** or **AUDIO**) and **DISPLAY** at the same time to enter the code registration mode.
- 3 Press **0-9** to enter the manufacturer code. (See page 42.)
 - Preset mode is finished once the LED no longer lights up.
- 4 After registering the code, the LED will stop blinking then turn off after one second. (If you perform an incorrect operation, the LED will blink quickly then turn off.)

Operating the Connected Equipment

To operate the connected equipment, press **STB**, **DVD-VCR** or **AUDIO** to select your device. (STB (cable converter), DVD, BD, VCR or AUDIO.) The remote control unit button will function as follows.

- When you operate VCR, DVD or BD, press **INPUT** to select the terminal connected to your device.
- CABLE and SAT cannot be selected at the same time.

1 POWER (SOURCE)

- Turns the connected equipment power on and off.

2 ▶

- Starts playback. (VCR, DVD, BD)

3 ◀◀

- Rewinds the tape and allows picture search. (VCR)
- Hold down to go in reverse. (DVD, BD)

4 ■

- Stops the tape transport. (VCR)
- Playback stops when pressed. With some DVD/Blu-ray disc players, pressing the button twice may open the disc tray. (DVD, BD)

5 ◀◀◀

- Pressing quickly once takes you to the start of the chapter currently playing. Each time you press it, you move back to the start of the previous chapter. (DVD, BD)

6 0-9, • (DOT) (STB)

- Press a button (or buttons) that corresponds to the channel that you wish to watch.

7 ▶▶

- Rapidly advances the tape and allows picture search. (VCR)
- Hold down to fast forward. (DVD, BD)

8 ||

- Sets pauses and still pictures. (VCR, DVD, BD)

9 ▶▶▶

- Pressing quickly once takes you to the start of the next chapter. Each time you press it, you move ahead to the start of the next chapter. (DVD, BD)

10 ●REC

- Starts recording. (VCR)

11 FLASHBACK

- Press to switch between the current channel and the channel you were watching immediately before. Some manufacturers do not preset FLASHBACK. (STB)

12 CH^/∨

- Press **CH^** or **CH∨** to tune in to a higher or lower channel. (STB)
- Press to select the channel of the TV tuner on the VCR. (VCR)

13 MENU

- When this button is pressed, the DVD/BD menu will display. (DVD, BD)

14 ▲/▼/◀/▶, ENTER

- **▲/▼/◀/▶**: Press the button to select items on the STB GUIDE screen or STB MENU screen. (STB)
- Press the button to select items on the DVD/BD menu screen. (DVD, BD)
- **ENTER**: Press to activate the selected function. (STB, DVD, BD)

Other Viewing Options

Manufacturer codes

| VCR BRAND | REMOTE CONTROL CODE NUMBER |
|-----------------|----------------------------|
| AUDIO DYNAMICS | 09 |
| BROCKSONIC | 13 |
| CANON | 04 |
| CRAIG | 12 |
| CURTIS MATHIS | 04 |
| DBX | 09 |
| EMERSON | 10, 13, 14 |
| GE | 04 |
| INSTANT REOLYA | 04 |
| JC PENNEY | 04 |
| JVC | 09, 16, 17, 22 |
| KENWOOD | 09 |
| MAGNAVOX | 04, 05, 06 |
| MAGNIN | 12 |
| MEMOREX | 04 |
| MONTGOMERY WARD | 02 |
| NEC | 09 |
| PANASONIC | 04, 18, 19, 20, 21 |
| PENTAX | 05 |
| PHILCO | 04, 05 |
| PHILIPS | 04, 05, 06 |
| QUASAR | 04 |
| REALISTIC | 01, 02 |
| SAMSUNG | 11, 12 |
| SHARP | 01, 02, 03 |
| SONY | 07, 08, 15 |
| SYLVANIA | 04, 05, 06 |
| TATUNG | 09 |
| TEAC | 09 |
| TMK | 10 |
| YAMAHA | 09 |

| STB BRAND | REMOTE CONTROL CODE NUMBER |
|--------------|--|
| ANVISION | 04, 05 |
| CABLE STAR | 04, 05 |
| EAGLE | 05 |
| G.INSTRUMENT | 02, 03, 10, 11, 17, 20 |
| GERROLD | 17 |
| JERROLD | 02, 03, 10, 11, 12, 20, 25-34 |
| MAGNAVOX | 04, 05, 08, 12, 15, 16, 18, 19, 22, 23 |
| MOTOROLA | 38 |
| OKA SIGMA | 07 |
| PANASONIC | 14, 21 |
| PHILIPS | 04, 05, 08, 13, 15, 16, 18, 19, 22, 23 |
| PIONEER | 07 |
| RANDTEK | 04, 05 |
| RCA | 14, 36*, 37* |
| S.ATLANTA | 01, 09, 24 |
| VIEWSTAR | 04, 05, 08, 13, 15, 16, 18, 19, 22, 23 |
| ZENITH | 06, 35 |

NOTE

- Numbers marked with * are SAT codes, all others are STB codes.

| AUDIO BRAND | REMOTE CONTROL CODE NUMBER |
|-------------------|----------------------------|
| SHARP | 01 |
| SHARP (SOUND BAR) | 02 |

| DVD/BD/LD BRAND | REMOTE CONTROL CODE NUMBER |
|-----------------|----------------------------|
| DENON | 24 |
| JVC | 31 |
| KENWOOD | 36 |
| MAGNAVOX | 26 |
| MARANTZ | 26 |
| mitsubishi | 28 |
| PANASONIC | 24, 37 |
| PHILIPS | 26, 38 |
| PIONEER | 30, 33, 35 |
| PROSCAN | 25 |
| RCA | 25, 39 |
| SAMSUNG | 29, 34 |
| SHARP | 23, 32, 41, 42 |
| SONY | 27, 40 |
| TOSHIBA | 26 |
| YAMAHA | 24 |
| ZENITH | 26 |

- Depending on the brand, the codes of some BD players may not be supported.

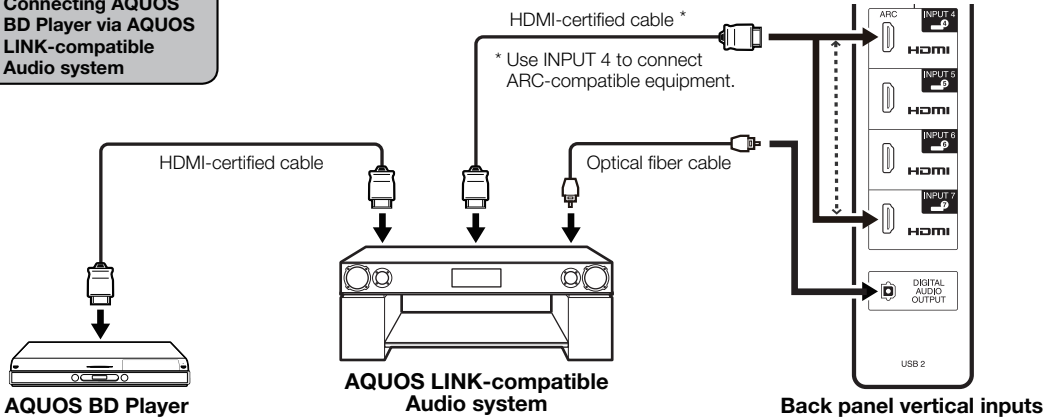
Using AQUOS LINK

Controlling HDMI Equipment Using AQUOS LINK

What's AQUOS LINK?

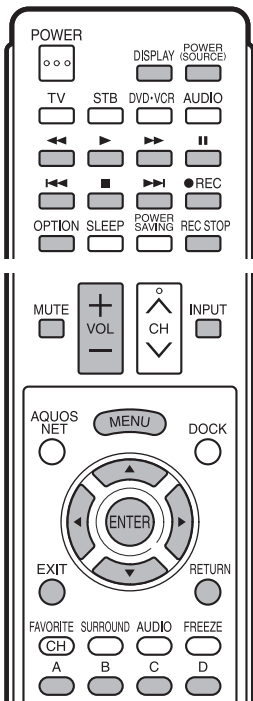
- Using the HDMI CEC (Consumer Electronics Control) protocol, with AQUOS LINK you can interactively operate compatible system equipment (Blu-ray disc equipment, AV amplifier, DVD).
- By connecting AQUOS LINK-compatible devices with HDMI-certified cables to the TV, you can control a recorder or AV amplifier using the remote control of the TV.
- AQUOS LINK allows you to operate the HDMI-connected equipment with one remote control.

Connecting AQUOS BD Player via AQUOS LINK-compatible Audio system



NOTE

- For connecting the TV to AQUOS LINK-compatible equipment, use commercially available cables.
- Point the remote control toward the TV, not to connected HDMI equipment.
- Video noise may occur depending on the type of HDMI cable used. Make sure to use an HDMI-certified cable.
- Up to 3 pieces of HDMI recording equipment and one AV amplifier can be connected using this system.
- These operations affect the HDMI equipment selected as the current input source. If the equipment does not operate, turn on the equipment and select the appropriate input source using **INPUT**.



Connected AQUOS LINK-compatible devices can be operated without changing the settings of the remote control unit.

REC STOP and **OPTION** buttons will function only when AQUOS LINK is used.

■ One Touch Play

While the TV is in standby mode, it automatically turns on and plays back the image from the HDMI source.

■ One Touch Recording

Press **●REC** while you are viewing a broadcast received with the AQUOS LINK-compatible recorder. The AQUOS LINK automatically recognizes the connected HDMI device and starts recording.

■ Single remote control

The AQUOS LINK automatically recognizes the connected HDMI device and you can control the TV and the devices as if using a universal remote control.

■ Control the AQUOS LINK-compatible audio system

Set the volume of AQUOS LINK-compatible audio system.

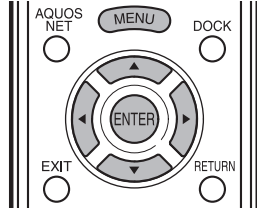
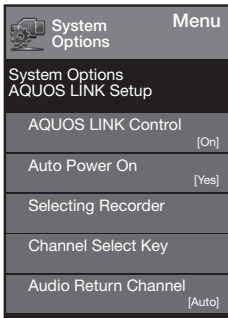
NOTE

- The above description is an example of the AQUOS LINK function.
- The steps in "AQUOS LINK Setup" on page 44 need to be completed beforehand.
- Refer to this operation manual and the operation manual of the AQUOS LINK device to be used with this TV.

Using AQUOS LINK

AQUOS LINK Setup

Example



- 1 Press **MENU** to display the MENU screen, and then press ◀▶ to select "System Options".
- 2 Press ▲/▼ to select "AQUOS LINK Setup", and then press **ENTER**.
- 3 Press ▲/▼ to select a specific item, and then press **ENTER**.
- 4 Press ▲/▼ (or ◀▶) to select the desired setting, and then press **ENTER**.
- 5 Press **MENU** to exit.

AQUOS LINK Control

Select AQUOS LINK Control to disable AQUOS LINK function even when an AQUOS LINK-compatible HDMI device is connected to the TV. This function prevents the device from starting to operate unexpectedly.

Enable: You can operate AQUOS LINK-compatible equipment.

Disable: AQUOS LINK function does not work.

Auto Power On

If this is activated, the One Touch Play function is enabled.

Yes: While the TV is in standby mode, it automatically turns on and plays back the image from the HDMI source.

No: This function does not work.

Selecting Recorder

When multiple AQUOS LINK-compatible devices are connected, this function allows you to set the recorder for recording when you press **●REC** on the TV's remote control unit.

Press ▲/▼ to select the recorder for recording.

NOTE

- When an AQUOS LINK-compatible audio system or other equipment is connected between the TV and recorder, "Sub" is displayed.

Channel Select Key

This function can be set for each input terminal.

On: The remote control unit of the TV can be used to select the channel, display program information, and perform other operations of a connected AQUOS LINK-compatible recorder.

Off: This function does not work.

Audio Return Channel

This function allows you to listen to the TV audio via audio equipment without using an optical fiber cable, which conventionally is required.

Requirements for using an ARC-compatible AV amplifier:

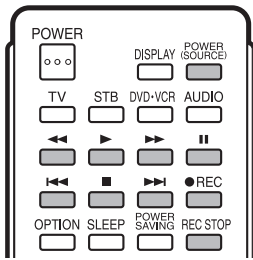
- ARC-compatible AV amplifier connected to the ARC-compatible HDMI terminal (INPUT 4). (Refer to the operation manual of the ARC-compatible equipment for details.)
- Use of an ARC-compatible cable.

Auto: You can listen to the TV audio with ARC-compatible audio equipment.

Off: This function does not work.

NOTE

- If the TV audio cannot be output from the AV amplifier even after making the necessary settings, connect the TV to the AV amplifier with an optical fiber cable and select "Off".



One Touch Recording

This function allows easy one-touch recording of the program being viewed on the TV to AQUOS LINK-compatible equipment with a recording function by simply pressing **●REC** on the remote control.

Prepare the connected AQUOS LINK-compatible recorder for recording. Check the following items.

- Make sure that the antenna cable is connected.
- Check that there is sufficient available space on the recording media (HDD, DVD, etc.).
- On the TV, use "AQUOS LINK Setup" and "Selecting Recorder" to select the equipment for recording.
- By default, the recorder connected to INPUT 4 is selected for recording.

1 Press **●REC** to start recording.

- When you are viewing a broadcast received with the AQUOS LINK-compatible recorder selected in "Selecting Recorder", recording to the AQUOS recorder of the broadcast being viewed starts.
- When you are viewing a broadcast received with equipment other than the AQUOS LINK-compatible recorder selected in "Selecting Recorder" or other external input equipment, pressing **●REC** on the remote control does not start recording.

2 Press **REC STOP** to stop recording.

One Touch Playback

AQUOS LINK allows you to operate the HDMI-connected equipment with one remote control.

Press **▶** to start playing back a title.

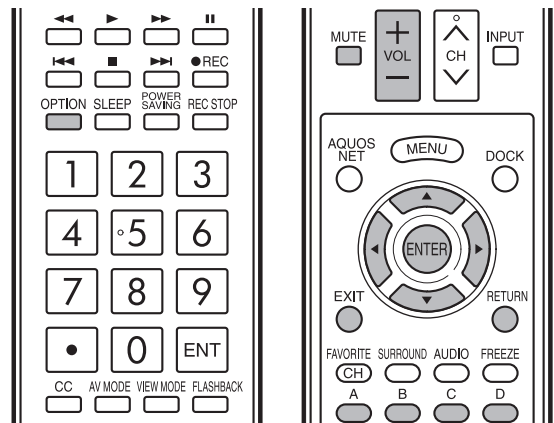
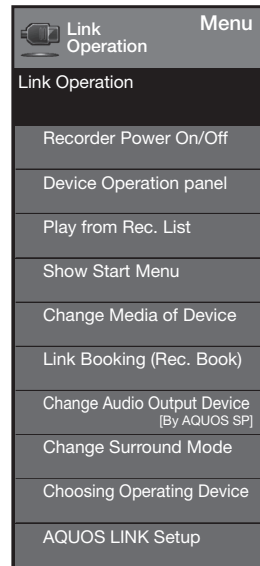
- The last played program is played back. You can use the following buttons during broadcast viewing.

| Buttons | Description |
|-----------------------|--|
| POWER (SOURCE) | Turns the power of the HDMI connected devices on and off. |
| ◀◀ | Hold down to go in reverse. |
| ▶ | Starts playback. |
| ▶▶ | Hold down to fast forward. |
| ■ | Playback stops. |
| | Sets pauses and still pictures. |
| ◀◀ | Pressing quickly once takes you to the start of the chapter currently playing. Each time you press it, you move back to the start of the previous chapter. |
| ▶▶ | Pressing quickly once takes you to the start of the next chapter. Each time you press it, you move ahead to the start of the next chapter. |

NOTE

- The buttons **◀◀/▶▶** do not function with the following Blu-ray disc players currently available.
- BD-HP20U, BD-HP50U

Link Operation Menu



Turning On/Off AQUOS LINK-compatible Equipment

You can manually turn on/off the power of connected AQUOS LINK-compatible equipment.

- 1** Press **OPTION** to display the Link Operation Menu screen.
- 2** Press **▲/▼** to select "Recorder Power On/Off", and then press **ENTER**.
- 3** Select "On" (or "Off") and press **ENTER** to turn on (or off) the equipment.

Using AQUOS LINK

Using the Device Operation Panel

You can use the device operation panel to control playback operations.

- 1 Press **OPTION** to display the Link Operation Menu screen.
- 2 Press **▲/▼** to select "Device Operation Panel", and then press **ENTER**.
- 3 Press **▲/▼/◀/▶** to select the desired operation.

NOTE

- This function works only when AQUOS LINK-compatible equipment with the Device Control Panel function is connected.

Playback of Titles Using AQUOS LINK

This section explains how to play back a title in the AQUOS LINK-compatible equipment.

- 1 Power on the AQUOS LINK-compatible equipment, and select appropriate external input.
- 2 Press **OPTION** to display the Link Operation Menu screen.
- 3 Press **▲/▼** to select "Play from Rec. List", and then press **ENTER**.
 - The title list data from the connected AQUOS LINK-compatible equipment displays.
- 4 Select the title with **▲/▼/◀/▶**, and then press **▶** to start playback.

NOTE

- This function works only when AQUOS LINK-compatible equipment is connected.

Displaying the Setup Menu of AQUOS LINK-Compatible Equipment

You can call up a setup menu from the connected AQUOS LINK-compatible equipment.

- 1 Press **OPTION** to display the Link Operation Menu screen.
- 2 Press **▲/▼** to select "Show Start Menu", and then press **ENTER**.
 - The setup menu of the AQUOS LINK-compatible equipment is displayed.

NOTE

- Depending on the status of the equipment (recording or in standby mode, etc), the setup menu will not be displayed.
- The setup menu will not be displayed with the player BD-HP20U currently available.

Selecting Media Type for AQUOS LINK-Compatible Recorder

You can switch the media (HDD or DVD) for playback or recording on the AQUOS LINK-compatible recorder.

- 1 Press **OPTION** to display the Link Operation Menu screen.
- 2 Press **▲/▼** to select "Change Media of Device", and then press **ENTER**.
- 3 Select the desired media such as DVD or HDD.
 - The Media type toggles each time you press **ENTER** in "Change Media of Device".
 - Select the media to be operated by the player.

Timer Recording

You can call up the AQUOS LINK-compatible recorder's EPG and preset timer recordings using the TV's remote control.

- 1 Press **OPTION** to display the Link Operation Menu screen.
- 2 Press **▲/▼** to select "Link Booking (Rec. Book)", and then press **ENTER**.
 - The recorder's EPG is displayed.
- 3 Select the program to record.
 - You can use **▲/▼/◀/▶**, **ENTER**, **RETURN**, **EXIT** and the colored buttons.

NOTE

- This function works only when an AQUOS LINK-compatible recorder is connected.
- Refer to the operation manual of the recorder for details.

Listening with the AQUOS AUDIO Speaker System

You can select to listen to the TV sound only from the AQUOS LINK-compatible audio system and manually change its sound mode.

- 1 Press **OPTION** to display the Link Operation Menu screen.
- 2 Press **▲/▼** to select "Change Audio Output Device", and then press **ENTER**.
- 3 Press **▲/▼** to select "By AQUOS audio SP", and then press **ENTER**.
 - The sound from the TV speaker is muted and only the sound from the AQUOS LINK-compatible audio system is audible.
 - You can use **VOL +/-** and **MUTE**.

Select "By AQUOS SP", and then press **ENTER** to listen to the TV sound.

Manually Changing AQUOS AUDIO Speaker System's Sound Mode

- 1 Press **OPTION** to display the Link Operation Menu screen.
- 2 Press **▲/▼** to select "Change Surround Mode", and then press **ENTER**.
 - The sound mode changes each time you press **ENTER**.
 - Refer to the operation manual of the AQUOS LINK-compatible audio system for details.

HDMI Device Selection

If multiple HDMI devices are connected in a daisy chain, you can specify which device to control here.

- 1 Press **OPTION** to display the Link Operation Menu screen.
- 2 Press **▲/▼** to select "Choosing Operating Device", and then press **ENTER**. The HDMI device toggles each time you press **ENTER**.

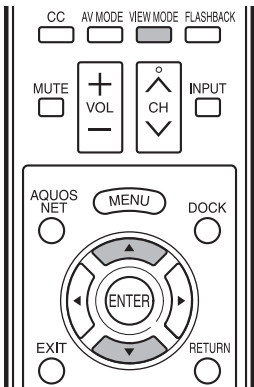
Displaying the Link Operation Menu

- 1 Press **OPTION** to display the Link Operation Menu screen.
- 2 Press **▲/▼** to select "AQUOS LINK Setup", and then press **ENTER**.
 - The AQUOS LINK Setup menu screen is displayed.

Using a PC

Displaying a PC Image on the Screen

VIEW MODE



You can select the screen size.

1 Press VIEW MODE.

- The View Mode menu displays.
- The menu lists the View Mode options selectable for the type of video signal currently being received.

2 Press VIEW MODE or ▲/▼ while the View Mode menu is displayed to select a desired item on the menu.

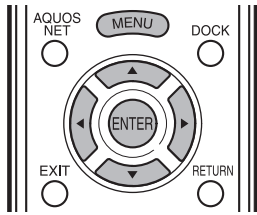
- You can sequentially select a View Mode that has its own aspect ratio.

NOTE

- Connect the PC before making adjustments. (See page 16.)
- Selectable screen size may vary with input signal type.
- You can have the same settings by choosing "View Mode" on the menu items. (See page 28.)

Example: Screen size images

| | | | | |
|--|---|--|---|--|
| <p>Input signal</p> <p>4:3</p> | <p>Normal</p> <p>Keeps the original aspect ratio in a full screen display.</p> | <p>Zoom</p> <p>For viewing widescreen programs. The top and bottom of the image is cropped.</p> | <p>Stretch</p> <p>An image fully fills the screen.</p> | <p>Dot by Dot</p> <p>Detects the resolution of the signal and displays an image with the same number of pixels on the screen.</p> |
| <p>Input signal</p> <p>16:9</p> | <p>Stretch</p> <p>An image fully fills the screen.</p> | <p>Dot by Dot</p> <p>Detects the resolution of the signal and displays an image with the same number of pixels on the screen.</p> | | |



- 1 Press **MENU** to display the MENU screen, and then press **◀▶** to select "System Options".
- 2 Press **▲▼** to select "Input Terminal Setting", and then press **ENTER**.
- 3 Press **▲▼** to select "PC input", and then press **ENTER**.
- 4 Press **▲▼** to select a specific adjustment item, and then press **ENTER** to set each item.
- 5 Press **▲▼** (or **◀▶**) to select or adjust the desired setting, and then press **ENTER**.

Adjusting the PC Image

Auto Sync. (for Analog PC Input Mode Only)

For automatically adjusting the PC image.
Yes: Auto Sync. starts and "Now adjusting the image." displays.
No: This function does not work.

NOTE

- When "Auto Sync." is successful, "Completed" displays. If not, "Auto Sync." failed.
- "Auto Sync." may fail even if "Completed" displays.
- "Auto Sync." may fail if the computer image has low resolution, has unclear (black) edges, or is moved while executing "Auto Sync."
- Be sure to connect the PC to the TV and switch it on before starting "Auto Sync."

Fine Sync.

Ordinarily you can easily adjust the picture as necessary to change image position using "Auto Sync.". In some cases, however, manual adjustment is needed to optimize the image.

- H-Pos.:** Centers the image by moving it to the left or right.
- V-Pos.:** Centers the image by moving it up or down.
- Clock:** Adjust when the image flickers with vertical stripes.
- Phase:** Adjust when characters have low contrast or when the image flickers.

NOTE

- For resetting all "Fine Sync." adjustment items to the factory preset values, press **▲▼** to select "Reset", and then press **ENTER**.
- It is not necessary to adjust the "Clock" or "Phase" when a digital signal is being input, so it cannot be selected.
- The default cursor position may not be in the center, because the screen position variable ranges may be asymmetrical.
- The screen position variable ranges depend on the View Mode or the signal type. The ranges can be seen on the position-setting screen.

Setting Audio Input

Audio Select

This function sets the terminal to output the computer audio. The adjustment items vary depending on the input source. Select the input source corresponding to the terminal connected to the PC and then adjust the desired item.

- **INPUT 3**
Video: Select this when the TV and PC are connected using an analog RGB cable and the audio is not input.
Video+Audio: Select this when the TV and PC are connected using an analog RGB cable and the audio is input via a Ø 3.5 mm stereo minijack.
- **INPUT 4**
HDMI(Digital): Select this when the TV and PC are connected using an HDMI-certified cable and audio is input via the same cable.
HDMI+Analog: Select this when the TV and PC are connected using a DVI-HDMI conversion cable and the audio is input via a Ø 3.5 mm stereo minijack.

NOTE

- When "Audio Select" is set to "HDMI(Digital)", sound will not be produced if you use only an HDMI-certified cable to connect HDMI-compatible equipment. To produce sound, you should make an analog audio connection.
- If you want to connect HDMI-compatible equipment using only an HDMI-certified cable, set "Audio Select" to "HDMI(Digital)".

PC Compatibility Chart

It is necessary to set the PC correctly to display XGA and WXGA signal.

| Resolution | | Horizontal Frequency | Vertical Frequency | VESA Standard |
|------------|-------------|----------------------|--------------------|---------------|
| VGA | 720 x 400 | 31.5 kHz | 70 Hz | — |
| | 640 x 480 | 31.5 kHz | 60 Hz | ○ |
| | | 37.9 kHz | 72 Hz | ○ |
| SVGA | 800 x 600 | 37.5 kHz | 75 Hz | ○ |
| | | 35.1 kHz | 56 Hz | ○ |
| | | 37.9 kHz | 60 Hz | ○ |
| | | 48.1 kHz | 72 Hz | ○ |
| XGA | 1024 x 768 | 46.9 kHz | 75 Hz | ○ |
| | | 48.4 kHz | 60 Hz | ○ |
| | | 56.5 kHz | 70 Hz | ○ |
| WXGA | 1360 x 768 | 60.0 kHz | 75 Hz | ○ |
| SXGA | 1280 x 1024 | 47.7 kHz | 60 Hz | ○ |
| SXGA+ | 1400 x 1050 | 64.0 kHz | 60 Hz | ○ |
| UXGA | 1600 x 1200 | 65.3 kHz | 60 Hz | ○ |
| 1080p | 1920 x 1080 | 75.0 kHz | 60 Hz | ○ |
| | | 67.5 kHz | 60 Hz | — |

VGA and XGA are registered trademarks of International Business Machines Corp.

RS-232C Port Specifications

■ PC control of the TV

- Attach an RS-232C cable cross-type (commercially available) to the supplied Din/D-Sub RS-232C for the connections.

NOTE

- This operation system should be used by a person who is accustomed to using computers.

■ Communication conditions

Set the RS-232C communication settings on the PC to match the TV's communication conditions. The TV's communication settings are as follows:

| | |
|----------------------|-----------|
| Baud rate: | 9,600 bps |
| Data length: | 8 bits |
| Parity bit: | None |
| Stop bit: | 1 bit |
| Flow control: | None |

■ Communication procedure

Send the control commands from the PC via the RS-232C connector.

The TV operates according to the received command and sends a response message to the PC.

Do not send multiple commands at the same time. Wait until the PC receives the OK response before sending the next command.

■ Command table

- Commands not indicated here are not guaranteed to operate.

| CONTROL ITEM | | COMMAND | PARAMETER | CONTROL CONTENTS |
|--------------------------|--------------------------|---------------|-----------------------------|--|
| POWER ON COMMAND SETTING | | R : S : P : W | 0 : - - - - | Off |
| | | | 1 : - - - - | On |
| POWER SETTING | | P : O : W : R | 0 : - - - - | Power Off |
| | | | 1 : - - - - | Power On |
| INPUT SELECTION | TOGGLE | I : T : G : D | x : - - - - | (Toggle) |
| | TV | I : T : V : D | 0 : - - - - | It input-switches to TV. (A channel remains as it is. (Last memory)) |
| | INPUT1-7 | I : A : V : D | * : - - - - | Input terminal number (1-7) |
| AV MODE SELECTION | | A : V : M : D | * : - - - - | 0: (Toggle), 1: STANDARD, 2: MOVIE, 3: GAME, 4: USER, 5: DYNAMIC (Fixed), 6: DYNAMIC, 7: PC, 8: x.v. Color, 100: AUTO |
| VOLUME | | V : O : L : M | * : * : - - - - | Volume (0-60) |
| POSITION | H-POSITION | H : P : O : S | * : * : * : - - - - | The screen position variable ranges depend on the View Mode or the signal type. The ranges can be seen on the position-setting screen. |
| | V-POSITION | V : P : O : S | * : * : * : - - - - | |
| | CLOCK | C : L : C : K | * : * : * : - - - - | Only PC mode. (0-180) |
| | PHASE | P : H : S : E | * : * : * : - - - - | Only PC mode. (0-40) |
| VIEW MODE | | W : I : D : E | * : * : * : - - - - | 0: (Toggle) [AV], 1: Side Bar [AV], 2: S.Stretch [AV] 3: Zoom [AV], 4: Stretch [AV], 5: Normal [PC] 6: Zoom [PC], 7: Stretch [PC], 8: Dot by Dot [PC] [AV], 9: Full Screen [AV] 10: Auto [Netflix], 11: Original [Netflix] |
| MUTE | | M : U : T : E | * : - - - - | 0: (Toggle), 1: On, 2: Off |
| SURROUND | | A : C : S : U | * : - - - - | 0: (Toggle), 1: On, 2: Off |
| AUDIO SELECTION | | A : C : H : A | x : - - - - | (Toggle) |
| SLEEP TIMER | | O : F : T : M | * : - - - - | 0: Off, 1: OFF TIMER - 30 MIN., 2: OFF TIMER - 60 MIN., 3: OFF TIMER - 90 MIN., 4: OFF TIMER - 120 MIN. |
| CHANNEL | DIRECT CHANNEL (ANALOG) | D : C : C : H | * : * : * : - - - - | The channel number of TV (1-135) |
| | DIRECT CHANNEL (DIGITAL) | D : A : 2 : P | * : * : * : * : - - - - | (0100-9999) |
| | | D : C : 2 : U | * : * : * : * : - - - - | (1-999) |
| | | D : C : 2 : L | * : * : * : * : - - - - | (0-999) |
| | | D : C : 1 : 0 | * : * : * : * : - - - - | (0-9999) |
| | | D : C : 1 : 1 | * : * : * : * : - - - - | (0-6383) |
| | CH UP | C : H : U : P | x : - - - - | The channel number of TV +1 |
| CH DOWN | C : H : D : W | x : - - - - | The channel number of TV -1 | |
| CC | | C : L : C : P | x : - - - - | (Toggle) |

NOTE

- If an underbar () appears in the parameter column, enter a space.
- If an asterisk (*) appears, enter a value in the range indicated in brackets under CONTROL CONTENTS.
- Any numerical value can replace the "x" on the table.

■ Command format

Eight ASCII codes + CR



Command 4-digits Parameter 4-digits Return code

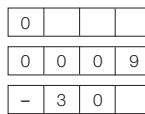
Command 4-digits: Command. The text of four characters.

Parameter 4-digits: Parameter 0-9, x, blank, ?

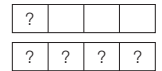
■ Parameter

Input the parameter values, aligning left, and fill with blank(s) for the remainder. (Be sure that 4 values are input for the parameter.)

When the input parameter is not within an adjustable range, "ERR" returns. (Refer to "Response code format".) Any numerical value can replace the "x" on the table.



When "?" is input for some commands, the present setting value responds.



■ Response code format

Normal response



Return code (ODH)

Problem response (communication error or incorrect command)



Return code (ODH)

Using the Internet

- By connecting your TV to a broadband system, you can access the Internet from the TV.
- Display the “Sidebar Widget” on the screen to check out the latest Internet information and access a range of useful information for AQUOS users from the original home page*.

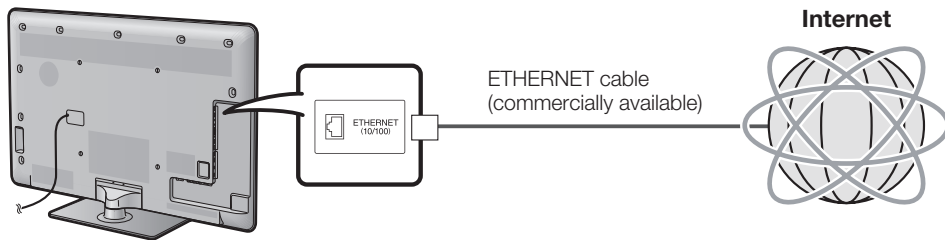
* About the original home page

- The original home page is a website set up specifically for AQUOS owners.
- The website is worth visiting as it provides a range of useful information, including tips on using your AQUOS and a frequently asked questions section.

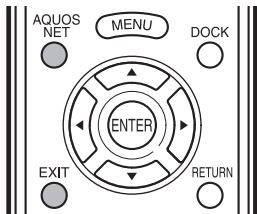
Internet Setup

■ Connecting to the Internet

- To connect your TV to the Internet, you must have a broadband Internet connection.
- Use an ETHERNET cable (commercially available) to connect the ETHERNET terminal on the TV to your broadband router (commercially available).
- If you do not have a broadband Internet connection, consult the store where you purchased your TV or ask your Internet service provider or telephone company.

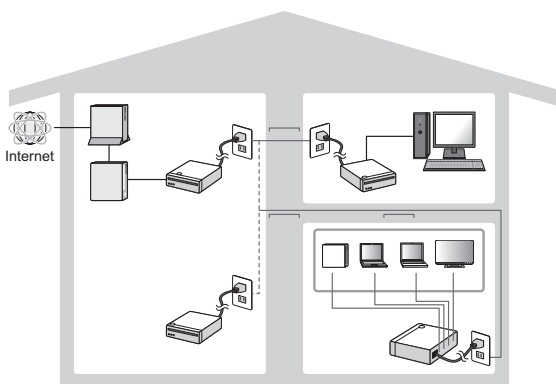


■ Checking your Internet connection



- Press **AQUOS NET** twice or three times to switch to the TV+Web or Web screen. When the original home page appears, now you are connected to the Internet.
- If you have failed to connect to the Internet in the above operation, then an error message will appear. In this case, press **EXIT** to return to the normal TV screen and check the relevant settings (see page 51).
- If you still cannot connect to the Internet, please consult your Internet service provider or telephone company.

■ Information on the PLC adapter



Up to four devices can be connected to the HN-VA400U adapter.

| Model number | Number of ports |
|--------------|-----------------|
| HN-VA401SU | 4 +1 |
| HN-VA400U | 4 |
| HN-VA100U | 1 |

The SHARP PLC adapter kit (sold separately) lets you use the existing electrical wiring in your house to create a home network.*1

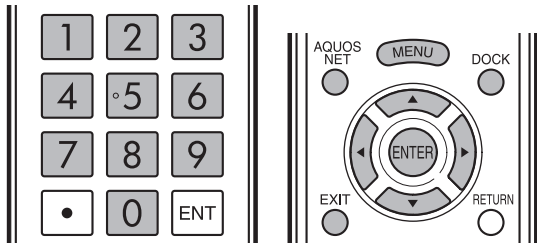
Simply plug the adapters into electrical outlets at the desired locations, and then connect your computer and other devices to the adapters with LAN cables (two LAN cables are provided).

If you have Broadband Internet service, connect your router to one of the adapters to allow all your network devices to access the Internet.

Data can be exchanged at speeds of up to 85 Mbps*2 on your network.

*1: PLC does not have router function. To connect to the Internet via network, Broadband Internet connection and related devices such as router etc is required.

*2: The actual communication speed may be affected by power line conditions, other electrical appliances and network conditions.



■ If you cannot connect to the Internet

Perform the procedures below to check your TV's network settings.

Ethernet Setup

- 1 Press **EXIT** to display the normal TV screen.
- 2 Press **MENU** to display the MENU screen, and then press **◀▶** to select "Initial Setup".
- 3 Press **▲▼** to select "Internet Setting", and then press **ENTER**.
- 4 Press **▲▼** to select "Communication Setup", and then press **ENTER**.
- 5 Press **▲▼** to select "Ethernet Setup", and then press **ENTER**.
 - Check that numbers are displayed for each setting.
 - If there are any settings without numbers, specify the numbers by following the on-screen instructions.
 - For information on how to enter text, see page 52.
- 6 Press **MENU** to exit.

Setting the Zip Code

- 1 Repeat steps 1 to 4 in **Ethernet Setup**.
- 2 Press **▲▼** to select "Zip Code", and then press **ENTER**. After "Change" is highlighted, press **ENTER** again.
- 3 Press **◀▶** to select "US/Mexico" or "Canada", and then press **ENTER**.
- 4 Enter your zip code.
 - The U.S. and Mexico use 5-digit zip codes. Canada uses 6-digit codes.
 - For the U.S. and Mexico, use **0-9** on the remote control unit to enter your zip code. For Canada, use the software keyboard.
- 5 After "Complete" is highlighted, press **ENTER**.
- 6 Press **MENU** to exit.

Interactive Service

If you do not want other people to connect to the Internet in your absence, you can make settings to keep the TV away from the Internet.

- 1 Press **MENU** to display the MENU screen, and then press **◀▶** to select "Initial Setup".
- 2 Press **▲▼** to select "Internet Setting", and then press **ENTER**.
- 3 Press **▲▼** to select "Interactive Service", and then press **ENTER**.
 - Input the 4-digit secret number by using **0-9**.
- 4 Press **◀▶** to select "No", and then press **ENTER**.
 - If you want to allow Internet connection, select "Yes", and then press **ENTER**.
- 5 Press **MENU** to exit.

Displaying Updated Information and Support Service

This function can be used to display up-to-date information on the Sidebar Widget via the Internet and allow you to receive support service over the network.

Sidebar Widget

- 1 Press **AQUOS NET** repeatedly to display the Sidebar Widget.
 - Each time you press **AQUOS NET**, the screen image toggles as shown below:
 Sidebar Widget → TV+Web → Web → TV
 - When you are not connected to the Internet, a network function explanation screen is displayed. The services displayed vary depending on circumstances.
- 2 Press **▲▼** to select a title, and then press **ENTER**.
 - The web page for the selected title is displayed.
 - The service details vary depending on circumstances.
- 3 Press **EXIT** to return to the normal TV screen.

NOTE

- If you start up the Sidebar Widget while a Closed Caption is displayed, the Closed Caption is automatically hidden.
- Web page appearances may differ depending on the type of screen (TV+Web or Web).
- When a still image is displayed, the Sidebar Widget does not appear even if you press **AQUOS NET**.
- When displaying TV+Web with a channel in which the V-Chip is enabled, the cursor keys on the remote control unit do not function.

AQUOS Advantage Live

- 1 Press **DOCK** to display the DOCK.
- 2 Press **◀▶** to select "AQUOS ADVANTAGE LIVE", and then press **ENTER**.
- 3 Press **▲▼/◀▶** to select the desired service.
 - My Account:** Register your AQUOS LCD today and receive a free 3 month warranty extension! Use this service to complete registration, view user and warranty information.
 - Live Support:** Connect to Sharp service center over the internet to receive remote assistance for AQUOS. Sharp advisors will remotely connect to AQUOS and can provide variety of services such as setup, performance diagnostic, etc. You must agree to the terms and conditions when using Live Support.
 - Mail Center:** Stay connected with SHARP news and more!
 - Learn More:** Learn more about the many benefits of AQUOS Advantage membership available to you.
 - New Software:** Stay up to date with the latest AQUOS LCD TV software.
 - User Guide:** In depth AQUOS operating instructions for your AQUOS LCD TV.
- 4 Press **EXIT** to return to the normal TV screen.

NOTE

- The display may change as a result of a software update.

Entering Text (Software Keyboard)

When you are editing an input screen or specifying the Ethernet settings used for accessing the Internet, enter text from the software keyboard.

NOTE

- You can enter up to 128 characters for text.

The text you enter is displayed as you type it. To move the cursor (the current input position), use “←” or “→” on the software keyboard.

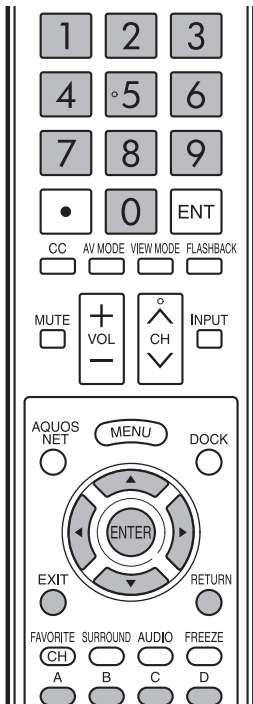
Press ◀▶ to select the type of characters entered: alphabet, number or sign. (The selectable types depend on the input source.)



Enters a space.

While you are entering text, likely input conversion candidates are displayed based on what you typed in.

- You can also enter text by pressing **A**, **B** or **C** on the remote control unit.



Caps Off/Caps On/Caps Lock

If “alphabet” is selected in “Character Set”, this switches characters between uppercase and lowercase. Each time you press **ENTER**, the character type switches as shown below:

Caps Off: all the characters are lowercased

Caps On: only the first character is uppercased

Caps Lock: all the characters are uppercased

Done

Applies the entered information and closes the software keyboard.

Quit

Closes the software keyboard without applying the entered information.

- You can also close the software keyboard by pressing **EXIT** on the remote control unit.



Displays the icon “↵”, indicating that a new line has been inserted.

Clear

Erases the character string.

- When the cursor is somewhere in a line: the character string to the right of the cursor will be erased.
- When the cursor is at the right end of a line: the entire line will be erased.

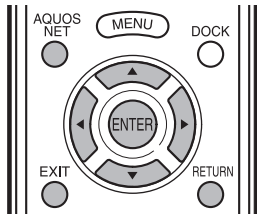
Delete

If the cursor is at the right end of a line, this erases text one character at a time.

- You can also delete text by pressing **RETURN** on the remote control unit.

| Buttons | Description |
|-------------------|---|
| ▲ | Moves the focus up. When the focus is at the top edge, this moves the focus to the opposite edge (bottom edge). |
| ▼ | Moves the focus down. When the focus is at the bottom edge, this moves the focus to the opposite edge (top edge). |
| ◀ | Moves the focus left. When the focus is at the left edge, this moves the focus to the opposite edge (right edge). When the focus is on “Character Set”, this selects the character type (moving backwards). When the focus is in an input box, this moves the cursor in the input box to the left. |
| ▶ | Moves the focus right. When the focus is at the right edge, this moves the focus to the opposite edge (left edge). When the focus is on “Character Set”, this selects the character type (moving forwards). When the focus is in an input box, this moves the cursor in the input box to the right. |
| ENTER | Performs the processing for the button currently in the focus. |
| EXIT | Closes the software keyboard without applying the original input elements for the entered text. Erases the text in the input box where the cursor is currently located. |
| RETURN | When the cursor is at the end of a sentence, this acts as a backspace. |
| 0-9 | Directly enters the single-byte number for that button. |
| A (red) | Directly enters prediction candidate 1. |
| B (green) | Directly enters prediction candidate 2. |
| C (blue) | Directly enters prediction candidate 3. |
| D (yellow) | Enters a space. |

Using the Browser



ENTER, ▲/▼/◀/▶

- Press ▲/▼/◀/▶ to select a link that you want to jump, and then press **ENTER**.

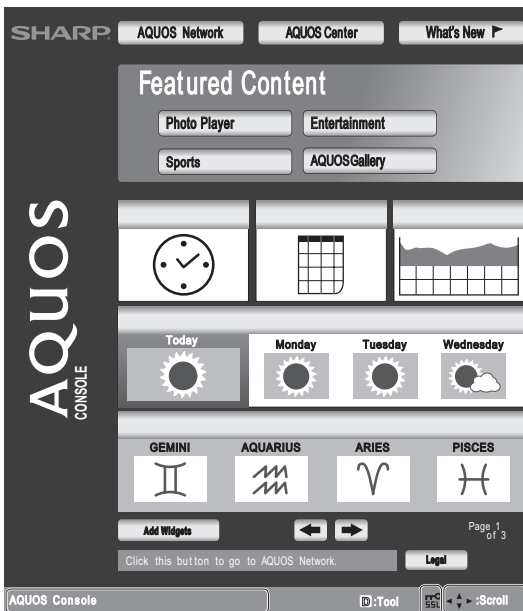
EXIT

- Press the button to return to the TV screen.

RETURN

- Press the button to return to the previous page.

Example : The image shown below, which is only for explanation, is subject to change.



Tab Pages with security protection are clearly shown as such.

If content on a page is continued on another page, directions to that page are shown clearly. You can use ▲/▼/◀/▶ to go to the continuation of a page.

- Where there is link text or a link image in the direction pressed, the text or image is selected first. If this happens, press the same direction button several times.

NOTE

When “☒” is displayed in a page:

- The page failed to load successfully, or it contains images with formats that cannot be displayed on the TV. Try reloading the page by selecting “↺” (see page 54) in the toolbar.

About links

- Web pages on the Internet often include “links” that allow you to jump to other web pages (or sites).
- “Links” can take various forms, including words or images, but they always work in the same way letting you jump to the link destination when you select them.
- Selected items (such as links of text input fields) are enclosed in a yellow frame.
- You can jump from a “link” to the corresponding link destination.

CAUTION

- If the power is cut due to a power failure or the TV being unplugged while you are using the Internet, information such as bookmarks or cookies may not be saved correctly.

NOTE

When a security notification window is displayed:

- Press **ENTER** to close the window.
- This window appears when you visit a web page that has security protection, or when you move from a protected page to an unprotected page.
- In “Security Settings” you can set whether or not this window is displayed. (See page 56.)

When a cookie confirmation window appears:

- Choose whether or not to accept the cookie (see page 56), and then press **ENTER**.
- In “Cookies” settings you can set whether or not this window is displayed. You can also opt to delete all the cookies at once. (See page 56.)

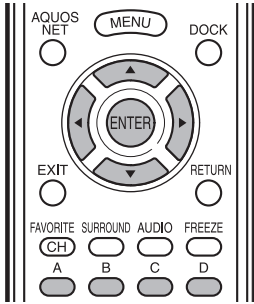
To users who access the Internet from a PC

- When you access the Internet from this TV, the procedures may not be the same as regular browser-based access on a PC.
- You cannot download files.
- You cannot view a history of the pages you have visited.
- You cannot change the startup page displayed when you press **AQUOS NET**.
- Pop-up windows appear in separate tabs.
- On some pages, video and audio cannot be played, and text or images may not be displayed correctly.

Using the Internet

Using the Toolbar

You can use the toolbar to control the browser and to specify settings.



- 1 Press **D** on the remote control unit to display the toolbar.
- 2 Press **◀/▶** to select a function, and then press **ENTER**.

| Selected item | Description |
|---------------|--|
| | Displays the linked page in a new tab. |
| | Displays the Tab menu. |
| | Returns to the previous page. |
| | Goes back to the original page when you have viewed the previous page. |
| | Refreshes the page. Interrupts a page while it is loading. |
| | Displays the original home page. |
| | Select this to open a bookmark. |
| | Adds the current page to your bookmarks. |
| | Displays the Browser menu. |

Using Tabs

You can use tabs to view up to 3 web pages at the same time. Each page appears in a separate tab, and you can switch between the tabs.

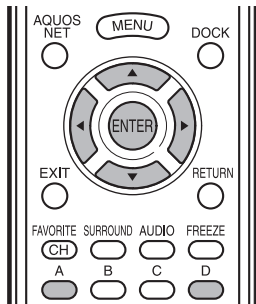
- 1 Press **B** on the remote control unit to display the Tab menu.
 - You can also display the Tab menu by clicking “” in the toolbar.

| Selected item | Description |
|-------------------------|---|
| Select This | Displays the web page in the selected tab. |
| Close This Tab | Closes the selected tab. <ul style="list-style-type: none"> • You can also press C on the remote control unit to close a tab. |
| Close Other Tabs | Closes the other (unselected) tabs. |
| Create New Tab | Creates a new tab. <ul style="list-style-type: none"> • You can also press A on the remote control unit to create a tab. |

- 2 Press **◀/▶** to select a tab.
- 3 Press **▲/▼** to select the item you want to use, and then press **ENTER**.

Saving the URL of the Current Page

Adding a web page to your bookmarks allows you to return to that page later by simply selecting it from your list of bookmarks.



- 1 Display the page that you want to bookmark.
- 2 Press **D** on the remote control unit to display the toolbar.
- 3 Press **◀▶** to select “” in the toolbar, and then press **ENTER**.
- 4 Select “Yes”, and then press **ENTER**.
 - The page is added to your bookmarks.

Opening a Bookmarked Page

- 1 Press **D** on the remote control unit to display the toolbar.
- 2 Press **◀▶** to select “” in the toolbar, and then press **ENTER**.
 - Your bookmarks list is displayed.
- 3 Press **▲▼/◀▶** to select the page you want to access, and then press **ENTER**.
 - The selected page is displayed.
 - If you have bookmarked 11 or more web pages, press **◀▶** to scroll through your bookmarks list.

When opening a bookmark in a new tab:

- ① Press **A** instead of **ENTER**.
 - The Bookmarks menu appears.
- ② Select “Open in New Tab”, and then press **ENTER**.

Editing Bookmarks

You can rearrange or delete the bookmarks.

■ Switching between the URL and title name

- 1 Press **D** on the remote control unit to display the toolbar.
- 2 Press **◀▶** to select “” in the toolbar, and then press **ENTER**.
 - Your bookmarks list is displayed.
- 3 Press **▲▼** to select the title you want to edit from the bookmarks list, and then press **A** on the remote control unit.
 - The Bookmarks menu appears.
- 4 Select “Display by Address” or “Display by Title” in the Bookmarks menu, and then press **ENTER**.

■ Rearranging displayed items

- 1 Press **D** on the remote control unit to display the toolbar.
- 2 Press **◀▶** to select “” in the toolbar, and then press **ENTER**.
 - Your bookmarks list is displayed.
- 3 Press **▲▼** to select the title you want to display in a different position from the bookmarks list, and then press **A** on the remote control unit.
 - The Bookmarks menu appears.
- 4 Press **▲▼** to select “Move Up” or “Move Down”, and then press **ENTER**.

■ Deleting bookmarks

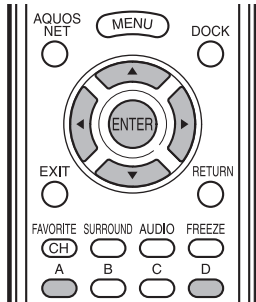
- 1 Press **D** on the remote control unit to display the toolbar.
- 2 Press **◀▶** to select “” in the toolbar, and then press **ENTER**.
 - Your bookmarks list is displayed.
- 3 Press **▲▼** to select the title you want to delete, and then press **A** on the remote control unit.
 - The Bookmarks menu appears.
- 4 Press **▲▼** to select “Delete”, and then press **ENTER**.
 - To delete all the bookmarks, select “Delete All”.
- 5 Press **◀▶** to select “Yes”, and then press **ENTER**.


Using the Internet

Browser Settings

You can check or modify your browser settings from the Browser menu.

The Browser menu includes a display settings menu and a security settings menu.



- 1 Press **D** to display the toolbar.
- 2 Press **◀/▶** to select “” in the toolbar, and then press **ENTER**.
- 3 Press **◀/▶** to select the settings menu you want to access.
- 4 Press **▲/▼** to select and confirm the item you want to set.
- 5 Press **▲/▼/◀/▶** to specify the required setting, and then press **ENTER**.
- 6 Press **D** to exit.

View Settings

Zoom In/Out:

Zoom in: Displays content enlarged to 200%.

Normal: Displays content at 100%.

Zoom out: Displays content reduced to 75%.

Encoding: Selects the desired encoding from the list below:

Western (ISO-8859-1)/Unicode (UTF-8)

Page Information: Displays information about the currently displayed page.

Reset:

Yes: Resets the browser settings.

No: Does not reset the browser settings.

NOTE

- “Reset” does not reset the certification enable/disable and Encoding settings.

Security Settings

Security:

Save Setting: If you select this option, a message is displayed when you move from a protected page to an unprotected page.

To change this setting, remove the tick, select “Save Setting” and then press **ENTER**.

Root Certificates/CA Certificates: Displays the list of certificates. To disable a certificate, select the certificate to be disabled and press **A** to display the sub-menu. Select “Disable”, and then press **ENTER**.

- Disabled certificates are shown unticked in the certificate list screen.

Cookies:

Accept all: Select this option to accept all cookies.

Reject all: Select this option when you do not want to accept cookies.

Prompt before accepting: When you open a page that uses cookies, this option displays a confirmation message.

Delete All Cookies: Deletes all your cookies.

Server Certificates: Displays certificates for the connected server.

Browser Information: Displays browser information.

- This product contains NetFront Browser of ACCESS CO., LTD.
- ACCESS, the ACCESS logo and NetFront are registered trademarks or trademarks of ACCESS CO., LTD. in the United States, Japan and/or other countries.
© 2009 ACCESS CO., LTD. All rights reserved.
- This software is based in part on the work of the Independent JPEG Group.


NetFront™

Instantly Watching Movies from Netflix

Please check that the most current software is loaded on TV by selecting "Auto Update Setting" on "Software Update" (see page 34) or by visiting <http://www.sharpusa.com/products/support/> to check for a download of the newest software version.

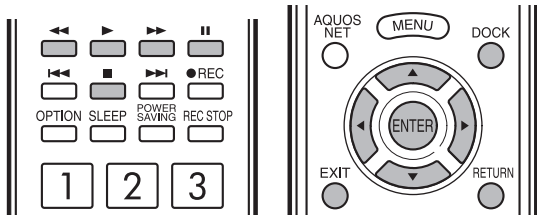
This function allows you to enjoy Netflix through the Internet. Netflix is an online DVD and Blu-ray Disc rental service, offering rental-by mail and streaming instantly to Netflix members.

- To enjoy this function, make a broadband Internet connection to both your PC and the TV (see page 50), and then set Internet Setting (see page 51), then perform the following operation.

NOTE

- The quality depends on the network speed and original bit rate.
- For more information on Netflix visit <http://www.netflix.com/help> or login to your Netflix account and click "Help" at the top of the page.
- Netflix is only available in the U.S.
- Illustrations are examples and may differ from the actual Netflix screens. The display and operations may change as a result of a software update.
- Use Netflix without configuring a proxy server. Part or all of Netflix may not be available when connecting to the Internet via a proxy server.
- When Netflix is used, "Position" does not work.

Settings for Watching Netflix Content on the TV



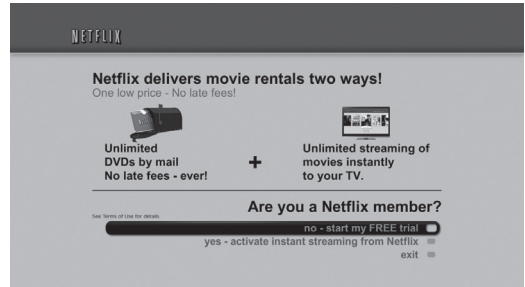
- Press **DOCK** to display the DOCK.
- Press **◀/▶** to select "NETFLIX", and then press **ENTER**.
- Read the Disclaimer displayed on the screen. If you agree, press **▲/▼** on the last page to select "Agree", and then press **ENTER**.
(If you do not agree, this service cannot be used.)

- Obtain the Netflix activation code.

■ If you do not have a Netflix account

- Press **▲/▼** to select "no-start my FREE trial", and then press **ENTER**.

The screen of the TV



- Subscribe by visiting <http://www.netflix.com/sharp> from your PC.
- Press **▲/▼** to select "I'm now a member", and then press **ENTER**.

The screen of the TV



■ If you have a Netflix account

Press **▲/▼** to select "yes-activate instant streaming from Netflix", and then press **ENTER**.

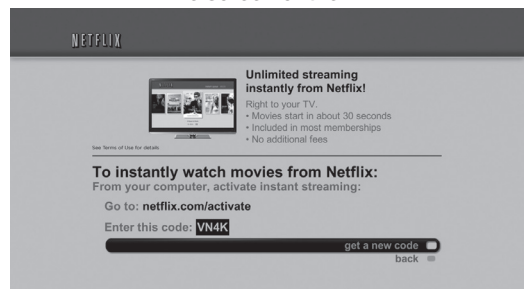
The screen of the TV



- You will see the following window.

- The activation code is displayed.

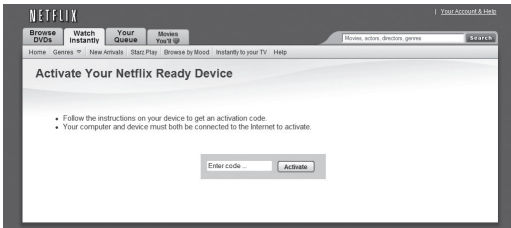
The screen of the TV



Using the Internet

- 6 Using your PC, visit <http://www.netflix.com/activate>, and then enter the activation code displayed in step 5.

The screen of the PC



- After a period of time, the TV will be activated, and the empty instant Queue screen will be displayed.

Adding Content to the Instant Queue

- 7 To add a movie to the instant Queue of the TV, select the "Add to Instant" button on Netflix "Watch Instantly" web page using your PC.

- After a period of time, the instant Queue registered using your PC will appear on the TV screen.

Playing Back Content in the Instant Queue on the TV

- 8 Press **◀/▶** to select the desired title, and then press **ENTER**.

- When registration and set-up are completed, you can jump from the DOCK to the instant Queue screen. (See steps 1 to 2 in **Settings for Watching Netflix Content on the TV.**)

The screen of the TV

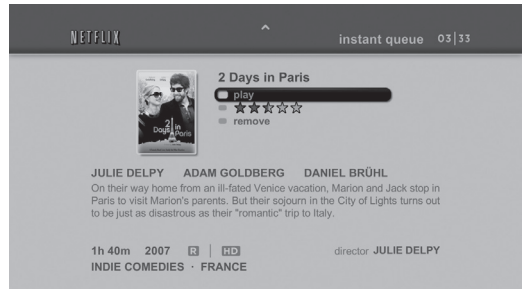


- When there are more than one title in the instant Queue, press **◀/▶** to scroll through several thumbnails so you can perform a quicker search.
- The parental control settings on the TV (see pages 32 to 33) do not apply to Netflix. To adjust the parental controls for your instant Queue, go to Netflix.com/YourAccount.
- The time required to display the instant Queue screen varies depending on the Internet connection status and the number of titles in the instant Queue.

- 9 The title you selected is displayed.

- To return to the step 8, press **▲**. Press **▲/▼** to select "play", and then press **ENTER** or **▶** to start playback.

The screen of the TV



- After a period of time, playback of the movie begins.

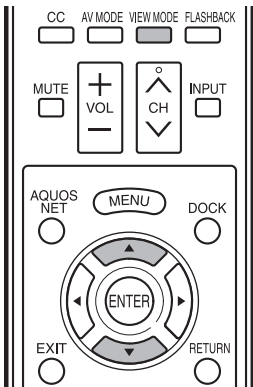
■ The buttons that can be used during playback

| Buttons | Description |
|---------------|--|
| ■/▲ | Stops playback and displays the movie title screen (springboard). |
| | Sets pauses and still pictures. Press or ▶ to return to playback. |
| ▶▶ | Displays the TrickPlay screen and fast forwards playback. |
| ◀◀ | Displays the TrickPlay screen and reverses playback. |
| ENTER | Displays the TrickPlay screen and pauses playback. |
| ▶ | Displays the TrickPlay screen, advances one frame forward, and pauses playback. |
| ◀ | Displays the TrickPlay screen, advances one frame backward, and pauses playback. |
| RETURN | Displays Netflix home screen. |
| EXIT | Closes the Netflix home screen and switches the TV to INPUT mode. |

Deactivating Netflix Function

- 1 Press **MENU** to display the menu screen.
- 2 Press **◀/▶** to select "Information", and then press **ENTER**.
- 3 Press **▲/▼** to select "Netflix Help", and then press **ENTER**.
- 4 Press **◀/▶** to select "Deactivate", and then press **ENTER**.
 - To confirm the Netflix status, check the information displayed on the screen and click "OK".

VIEW MODE



You can select the screen size.

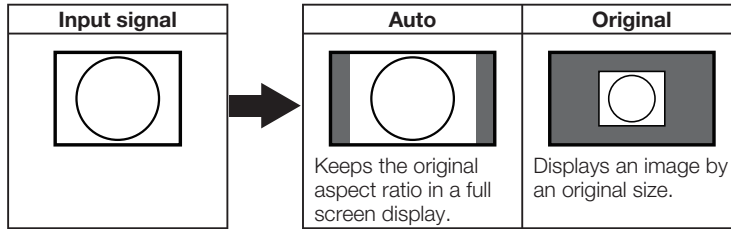
1 Press VIEW MODE.

- The View Mode menu displays.

2 Press VIEW MODE or ▲/▼ while the View Mode menu is displayed to select a desired item on the menu.

- You can sequentially select a View Mode that has its own aspect ratio.
- You can have the same settings by choosing "View Mode" on the menu items. (See page 28.)

Example: Screen size images



DISCLAIMERS

This Sharp device facilitates the access to content and services provided by third parties. The content and services accessible via this device belong to and may be proprietary to third parties. Therefore, any use of such third party content and services must be in accordance with any authorization or terms of use provided by such content or service provider. Sharp shall not be liable to you or any third party for your failure to abide by such authorization or terms of use. Unless otherwise specifically authorized by the applicable content or service provider, all third party content and services provided are for personal and non-commercial use; you may not modify, copy, distribute, transmit, display, perform, reproduce, upload, publish, license, create derivative works from, transfer or sell in any manner or medium any content or services available via this device.

Sharp is not responsible, nor liable, for customer service-related issues related to the third party content or services. Any questions, comments or service-related inquiries relating to the third party content or service should be made directly to the applicable content or service provider.

You may not be able to access content or services from the device for a variety of reasons which may be unrelated to the device itself, including, but not limited to, power failure, other Internet connection, or failure to configure your device properly. Sharp, its directors, officers, employees, agents, contractors and affiliates shall not be liable to you or any third party with respect to such failures or maintenance outages, regardless of cause or whether or not it could have been avoided.

ALL THIRD PARTY CONTENT OR SERVICES ACCESSIBLE VIA THIS DEVICE IS PROVIDED TO YOU ON AN "AS-IS" AND "AS AVAILABLE" BASIS AND SHARP AND ITS AFFILIATES MAKE NO WARRANTY OR REPRESENTATION OF ANY KIND TO YOU, EITHER EXPRESS OR IMPLIED, INCLUDING, WITHOUT LIMITATION, ANY WARRANTIES OF MERCHANTABILITY, NON-INFRINGEMENT, FITNESS FOR A PARTICULAR PURPOSE OR ANY WARRANTIES OF SUITABILITY, AVAILABILITY, ACCURACY, COMPLETENESS, SECURITY, TITLE, USEFULNESS, LACK OF NEGLIGENCE OR ERROR-FREE OR UNINTERRUPTED OPERATION OR USE OF THE CONTENT OR SERVICES PROVIDED TO YOU OR THAT THE CONTENT OR SERVICES WILL MEET YOUR REQUIREMENTS OR EXPECTATIONS.

SHARP IS NOT AN AGENT OF AND ASSUMES NO RESPONSIBILITY FOR THE ACTS OR OMISSIONS OF THIRD PARTY CONTENT OR SERVICE PROVIDERS, NOR ANY ASPECT OF THE CONTENT OR SERVICE RELATED TO SUCH THIRD PARTY PROVIDERS.

IN NO EVENT WILL SHARP AND/OR ITS AFFILIATES BE LIABLE TO YOU OR ANY THIRD PARTY FOR ANY DIRECT, INDIRECT, SPECIAL, INCIDENTAL, PUNITIVE, CONSEQUENTIAL OR OTHER DAMAGES, WHETHER THE THEORY OF LIABILITY IS BASED ON CONTRACT, TORT, NEGLIGENCE, BREACH OF WARRANTY, STRICT LIABILITY OR OTHERWISE AND WHETHER OR NOT SHARP AND/OR ITS AFFILIATES HAVE BEEN ADVISED OF THE POSSIBILITY OF SUCH DAMAGES.

Appendix

Removing the Stand

- Before detaching (or attaching) the stand, unplug the AC cord.

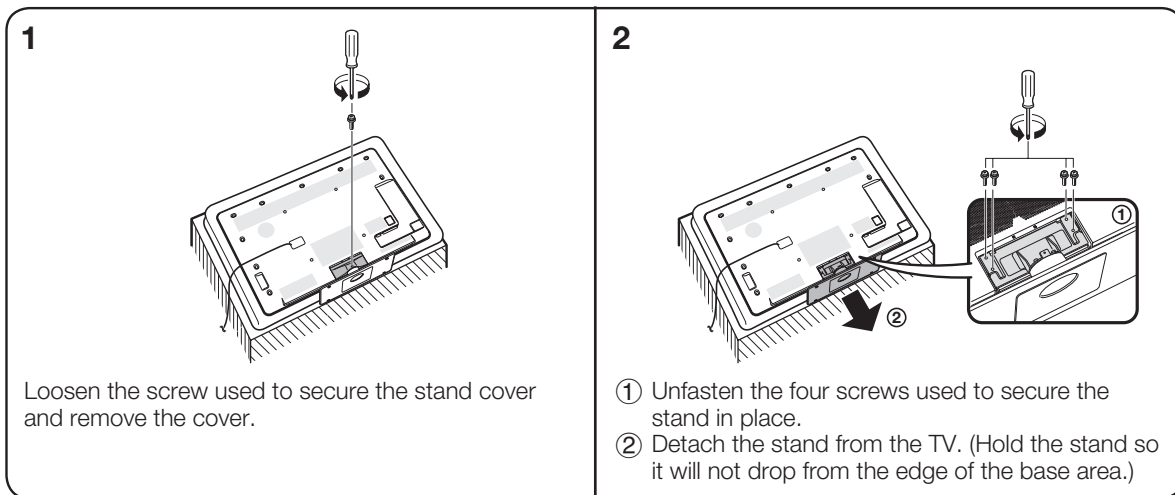
CAUTION

- Do not remove the stand from the TV unless using an optional wall mount bracket to mount it.

■ LC-40LE810UN/LC-46LE810UN/LC-52LE810UN

Before attaching/detaching the stand

- Before performing work, make sure to turn off the TV.
- Before performing work spread cushioning over the base area to lay the TV on. This will prevent it from being damaged.



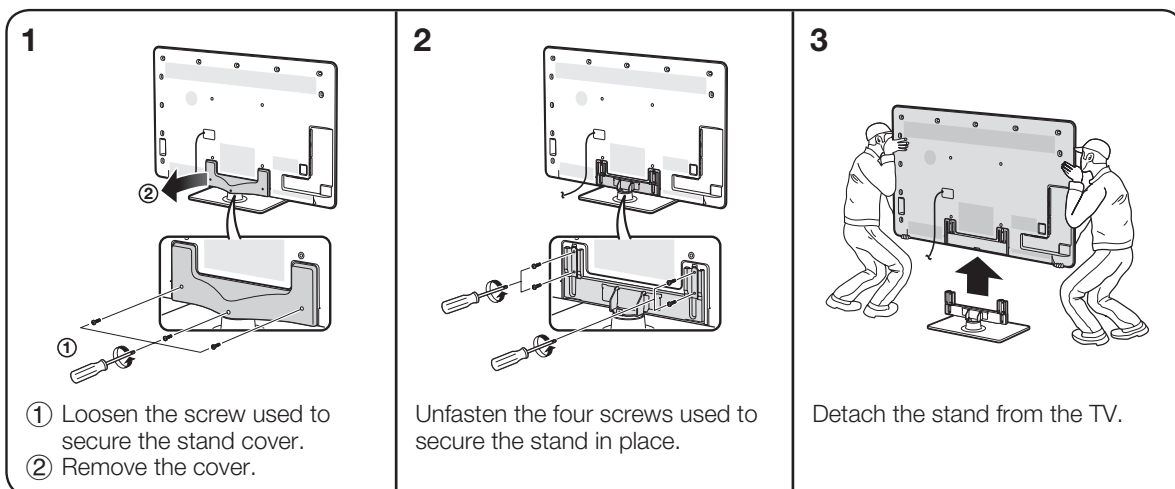
NOTE

- To attach the stand, perform the above steps in reverse order.

■ LC-60LE810UN

Before attaching/detaching the stand

- Before performing work, make sure to turn off the TV.



NOTE

- To attach the stand, perform the above steps in reverse order.

Setting the TV on the Wall

CAUTION

LC-40LE810UN

- This TV should be mounted on the wall with both the AN-37AG2 (SHARP) wall mount bracket and the AN-37P30 (SHARP) attachment of the wall mount bracket. The TV cannot be mounted when with only the AN-37AG2 wall mount bracket. The use of other wall mount brackets may result in an unstable installation and may cause serious injuries.

LC-46LE810UN/LC-52LE810UN/LC-60LE810UN

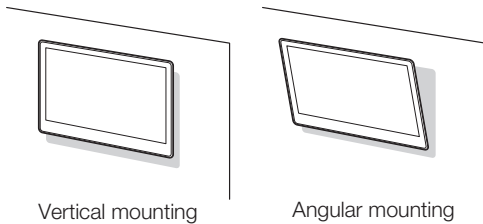
- This TV should be mounted on the wall only with the wall mount bracket AN-52AG4 (SHARP). The use of other wall mount brackets may result in an unstable installation and may cause serious injuries.
- Installing the TV requires special skill that should only be performed by qualified service personnel. Customers should not attempt to do the work themselves. SHARP bears no responsibility for improper mounting or mounting that results in accident or injury.

Using an optional bracket to mount the TV

- You can ask a qualified service professional about using an optional AN-37AG2 + AN-37P30 or AN-52AG4 bracket to mount the TV on the wall.
- Carefully read the instructions that come with the bracket before beginning work.

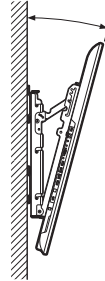
Hanging on the wall

AN-37AG2 + AN-37P30 or AN-52AG4 wall mount bracket.
(See the bracket instructions for details.)



About setting the TV angle

LC-40/46/52LE810UN
0/5/10/15/20°
LC-60LE810UN
0/5/10°



AN-37AG2 + AN-37P30

LC-40LE810UN

- The center of the display:
5/16 inch (7.6 mm) under the "A" position.

AN-52AG4

LC-46LE810UN

- The center of the display:
33/64 inch (13 mm) under the "b" position.

LC-52LE810UN

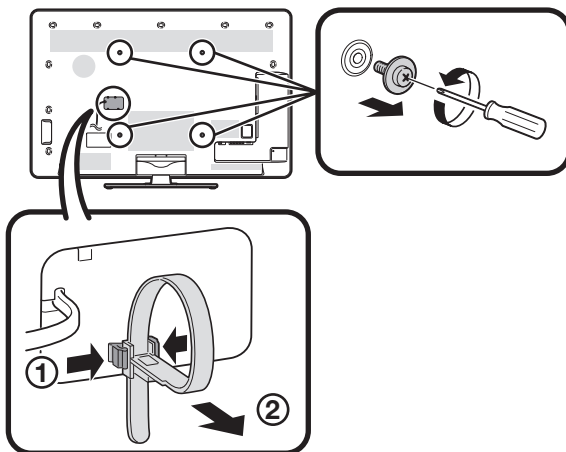
- The center of the display:
3/64 inch (1 mm) above the "b" position.

LC-60LE810UN

- The center of the display:
43/64 inch (16.7 mm) above the "f" position.
- Refer to the operation manual of AN-37AG2/AN-37P30 or AN-52AG4 for details.

NOTE

- Detach the cable clamp on the rear of the TV when using the optional mount bracket.
- Due to the terminal configuration on this TV, when you wall-mount this model, make sure there is enough space between the wall and the TV for the cables.
- To use this TV mounted on a wall, remove the AC cord holder and the screws at the 4 locations on the rear of the TV, and then use the screws supplied with the wall mount bracket to secure the bracket to the rear of the TV.



Troubleshooting

| Problem | Possible Solution |
|---|---|
| <ul style="list-style-type: none"> No power | <ul style="list-style-type: none"> Check if you pressed POWER on the remote control unit. ➔ Page 17 Is the AC cord disconnected? ➔ Page 8 Has the power been turned on? ➔ Page 17 |
| <ul style="list-style-type: none"> Unit cannot be operated. | <ul style="list-style-type: none"> External influences such as lightning, static electricity, may cause improper operation. In this case, operate the unit after first turning off the power of the TV or unplugging the AC cord and replugging it in after 1 or 2 minutes. |
| <ul style="list-style-type: none"> Remote control unit does not operate. | <ul style="list-style-type: none"> Is the equipment to be operated by the remote control unit set correctly? Press TV to set the remote control unit to the setting for operating the TV. Are batteries inserted with polarity (+, -) aligned? ➔ Page 9 Are batteries worn out? (Replace with new batteries.) Are you using it under strong or fluorescent lighting? Is a fluorescent light illuminated near the remote control sensor? Is "RC Control Lock" selected in "Operation Lock Out"? ➔ Page 29 |
| <ul style="list-style-type: none"> Picture is cut off/with sidebar screen. | <ul style="list-style-type: none"> Is the image position correct? ➔ Page 29 Are screen mode adjustments such as picture size made correctly? ➔ Pages 21 and 47 |
| <ul style="list-style-type: none"> Strange color, light color, or color misalignment | <ul style="list-style-type: none"> Adjust the picture tone. ➔ Pages 24 and 25 Is the room too bright? The picture may look dark in a room that is too bright. |
| <ul style="list-style-type: none"> Power is suddenly turned off. | <ul style="list-style-type: none"> Is the sleep timer set? ➔ Page 18 Check the power control settings. ➔ Page 27 The unit's internal temperature has increased. Remove any objects blocking vent or clean. |
| <ul style="list-style-type: none"> No sound | <ul style="list-style-type: none"> Is connection to other components correct? ➔ Pages 12 to 16 and 43 Is the volume too low? ➔ Page 18 Is "Variable" selected in "Output Select"? ➔ Page 29 Have you pressed MUTE on the remote control unit? ➔ Page 18 Check the audio output of the connected external equipment. Is the volume too low or muted? When external equipment is connected via an HDMI cable, you may need to configure the audio to be output through the HDMI cable. When audio is not output from external equipment connected to the INPUT 3 or INPUT 4 terminal, check the "Audio Select" setting. ➔ Page 48 Even when external equipment is connected using an HDMI-certified cable, an audio cable connection may be required depending on the type of equipment and the media being played back. In this case, in addition to connecting an HDMI-certified cable to the INPUT 4 (HDMI) terminal, connect a Ø 3.5 mm stereo minijack cable to the AUDIO IN terminal and set "Audio Select" to "HDMI+Analog". ➔ Page 48 When connecting a PC via an HDMI-certified cable, check the following: <ul style="list-style-type: none"> Is the audio output of the PC configured correctly? Check the audio output settings and output audio format in Sound Properties on the PC. Only PCM format audio can be output. Compressed audio (with a sampling rate of 32kHz, 44.1kHz, or 48kHz) and DTS format audio cannot be output. Depending on the board, only video signals may be output. In this case, in addition to connecting an HDMI-certified cable to the INPUT 4 (HDMI) terminal, connect a Ø 3.5 mm stereo minijack cable to the AUDIO IN terminal and set "Audio Select" to "HDMI+Analog". ➔ Page 48 If you are using a DVI-HDMI conversion cable to connect external equipment to the TV, check the following: <ul style="list-style-type: none"> Is an audio cable connected? The DVI-HDMI conversion cable is for video only. Connect a Ø 3.5 mm stereo mini jack cable to listen to the audio. Is INPUT 4 being used? When the TV is connected to another HDMI terminal, the audio and video are not output together even if a Ø 3.5 mm stereo minijack cable is connected to the shared AUDIO IN terminal for INPUT 3 and INPUT 4. Check the "Audio Select" setting. Set "Audio Select" to "HDMI+Analog". ➔ Page 48 |

Appendix

| Problem | Possible Solution |
|---|---|
| <ul style="list-style-type: none"> No picture | <ul style="list-style-type: none"> Is connection to other components correct? ➔ Pages 12 to 16 and 43 Is the correct input selected? ➔ Pages 12 and 19 Is "On" selected in "Audio Only"? ➔ Page 27 If the PC image is not displayed, check the following: <ul style="list-style-type: none"> When connecting a laptop PC to the TV, check that display output mode of the PC is set to external monitor. Check the resolution setting on the PC. Is a non-compatible signal being input? ➔ Page 48 |
| <ul style="list-style-type: none"> Picture quality of HD programs is poor. | <ul style="list-style-type: none"> To enjoy HD images from external equipment, you are required to set up HDMI connection or component connection. If the program content is not of HD quality, HD images cannot be displayed. Check that the program you are viewing provides HD images. The HD cable/satellite set-top box may need to be configured to output HD images via cable/satellite. The cable/satellite broadcast may not support a signal resolution of 1080p. |
| <ul style="list-style-type: none"> The TV sometimes makes a cracking sound. | <ul style="list-style-type: none"> This is not a malfunction. This happens when the cabinet slightly expands and contracts according to change in temperature. This does not affect the TV's performance. |
| <ul style="list-style-type: none"> The original home page cannot be displayed. | <ul style="list-style-type: none"> Is the ETHERNET cable connected correctly? ➔ Page 50 Check the settings of "Communication Setup" and "Interactive Service". ➔ Page 51 |
| <ul style="list-style-type: none"> Some Internet functions used on a PC are not available from the TV. | <ul style="list-style-type: none"> The TV has only limited functions compared with regular PC browsers. ➔ Page 53 |

Troubleshooting - Error Message

| The example of an error message displayed on a screen | Error code | Possible Solution |
|---|-------------|--|
| <ul style="list-style-type: none"> Failed to receive broadcast. | E202 | <ul style="list-style-type: none"> Check the antenna cable. Check that the antenna is correctly setup. |
| <ul style="list-style-type: none"> No broadcast now. | E203 | <ul style="list-style-type: none"> Check the broadcast time in the program guide. |
| <ul style="list-style-type: none"> An incompatible audio signal has been received. Change the output device audio settings to PCM. | — | <ul style="list-style-type: none"> This message is displayed when an audio format other than PCM is input. (Dolby Digital and DTS audio formats are not supported.) <ul style="list-style-type: none"> Set the audio output format of connected external HDMI equipment to PCM. Refer to the operation manual of the external equipment for setting details. |

CLEARING THE SECRET NUMBER

If you forget the secret number, clear the secret number using the following procedure.

- Select an item from the list below to display the secret number input screen. (For operating the on-screen display menu, see page 22.)
 - "Color system" (← "Input Terminal Setting" ← System Options menu).
 - "EZ Setup" or "Reset" (← Initial Setup menu).
 - "CH Setup" (← "Broadcasting Setting" ← Initial Setup menu).
 - "Parental CTRL" (← "Individual Setting" ← Initial Setup menu).
 - "Software Update" (← Information menu).
- Press and hold both **CH** and **VOL** on the TV simultaneously until the message appears on the screen.

The secret number is

| | | | | |
|--|--|--|--|--|
| | | | | |
|--|--|--|--|--|

NOTE

- As a precautionary measure, make a note of your secret number above, cut it from this manual, and keep it in a safe place.

Specifications

| Item | | Model: LC-40LE810UN | Model: LC-46LE810UN | |
|------------------------------------|------------------------------|--|---|--|
| LCD panel | Size | 40" Class (40" Diagonal) | 46" Class (45 ⁶³ / ₆₄ " Diagonal) | |
| | Resolution | 2,073,600 pixels (1,920 × 1,080) | | |
| TV Function | TV-standard (CCIR) | American TV Standard ATSC/NTSC System | | |
| | Receiving Channel | VHF/UHF | VHF 2-13ch, UHF 14-69ch | |
| | | CATV | 1-135ch (non-scrambled channel only) | |
| | | Digital Terrestrial Broadcast (8VSB) | 2-69ch | |
| | | Digital cable ¹ (64/256 QAM) | 1-135ch (non-scrambled channel only) | |
| Audio multiplex | BTSC System | | | |
| Audio out | | 10W × 2 + 15W (WF) | | |
| Terminals | Back panel vertical inputs | INPUT 2 | AV in (AV mini plug and RCA plugs) | |
| | | INPUT 3 | ANALOG RGB (PC) in (15-pin mini D-sub female connector), Audio in (Ø 3.5 mm stereo jack) | |
| | | INPUT 4 | HDMI in with HDCP, Audio in (Ø 3.5 mm stereo jack) | |
| | | INPUT 5 | HDMI in with HDCP | |
| | | INPUT 6 | HDMI in with HDCP | |
| | | INPUT 7 | HDMI in with HDCP | |
| | | AUDIO IN | Audio in (Ø 3.5 mm stereo jack) | |
| | | AUDIO OUT | Audio out (Ø 3.5 mm stereo jack) | |
| | | DIGITAL AUDIO OUTPUT | Optical Digital audio output × 1 (PCM/Dolby Digital) | |
| | | ETHERNET | Network connector | |
| | USB 1 | Photo/Music mode, Software update | | |
| | USB 2 | Photo/Music mode, Software update | | |
| | Back panel horizontal inputs | INPUT 1 | COMPONENT in | |
| | | ANT/CABLE | 75 Ω Unbalance, F Type × 1 for Analog (VHF/UHF/CATV) and Digital (AIR/CABLE) | |
| | | RS-232C | 9-pin D-sub male connector | |
| OSD language | | English/French/Spanish | | |
| Power Requirement | | AC 120 V, 60 Hz | | |
| Power Consumption | | 140 W (0.5 W Standby with AC 120 V) | 160 W (0.5 W Standby with AC 120 V) | |
| Weight | TV + stand | 43.0 lbs./19.5 kg | 57.3 lbs./26.0 kg | |
| | TV only | 35.3 lbs./16.0 kg | 45.2 lbs./20.5 kg | |
| Dimension ² (W × H × D) | TV + stand | 39 ¹ / ₁₆ × 27 ¹³ / ₁₆ × 10 ²⁷ / ₃₂ inch | 44 ¹⁹ / ₆₄ × 30 ⁷ / ₈ × 13 ²⁵ / ₆₄ inch | |
| | TV only | 39 ¹ / ₁₆ × 25 ⁵⁹ / ₆₄ × 1 ³⁷ / ₆₄ inch | 44 ¹⁹ / ₆₄ × 28 ⁷ / ₈ × 1 ³⁷ / ₆₄ inch | |
| Operating temperature | | + 32°F to + 104°F (0°C to + 40°C) | | |

Cautions regarding use in high and low temperature environments

- When the unit is used in a low temperature space (e.g. room, office), the picture may leave trails or appear slightly delayed. This is not a malfunction, and the unit will recover when the temperature returns to normal.
- Do not leave the unit in a hot or cold location. Also, do not leave the unit in a location exposed to direct sunlight or near a heater, as this may cause the cabinet to deform and the Liquid Crystal panel to malfunction.
Storage temperature: - 4°F to + 140°F (- 20°C to + 60°C)

Appendix

| Item | | Model: LC-52LE810UN | Model: LC-60LE810UN |
|-------------------------------------|------------------------------|--|--|
| LCD panel | Size | 52" Class (52 1/32" Diagonal) | 60" Class (60 1/32" Diagonal) |
| | Resolution | 2,073,600 pixels (1,920 × 1,080) | |
| TV Function | TV-standard (CCIR) | | American TV Standard ATSC/NTSC System |
| | Receiving Channel | VHF/UHF | VHF 2-13ch, UHF 14-69ch |
| | | CATV | 1-135ch (non-scrambled channel only) |
| | | Digital Terrestrial Broadcast (8VSB) | 2-69ch |
| | | Digital cable ^{*1} (64/256 QAM) | 1-135ch (non-scrambled channel only) |
| Audio multiplex | | BTSC System | |
| Audio out | | 10W × 2 + 15 W (WF) | |
| Terminals | Back panel vertical inputs | INPUT 2 | AV in (AV mini plug and RCA plugs) |
| | | INPUT 3 | ANALOG RGB (PC) in (15-pin mini D-sub female connector), Audio in (Ø 3.5 mm stereo jack) |
| | | INPUT 4 | HDMI in with HDCP, Audio in (Ø 3.5 mm stereo jack) |
| | | INPUT 5 | HDMI in with HDCP |
| | | INPUT 6 | HDMI in with HDCP |
| | | INPUT 7 | HDMI in with HDCP |
| | | AUDIO IN | Audio in (Ø 3.5 mm stereo jack) |
| | | AUDIO OUT | Audio out (Ø 3.5 mm stereo jack) |
| | | DIGITAL AUDIO OUTPUT | Optical Digital audio output × 1 (PCM/Dolby Digital) |
| | | ETHERNET | Network connector |
| | | USB 1 | Photo/Music mode, Software update |
| | | USB 2 | Photo/Music mode, Software update |
| | Back panel horizontal inputs | INPUT 1 | COMPONENT in |
| | | ANT/CABLE | 75 Ω Unbalance, F Type × 1 for Analog (VHF/UHF/CATV) and Digital (AIR/CABLE) |
| RS-232C | | 9-pin D-sub male connector | |
| OSD language | | English/French/Spanish | |
| Power Requirement | | AC 120 V, 60 Hz | |
| Power Consumption | | 170 W (0.5 W Standby with AC 120 V) | 230 W (0.5 W Standby with AC 120 V) |
| Weight | TV + stand | 66.1 lbs./30.0 kg | 95.9 lbs./43.5 kg |
| | TV only | 54.0 lbs./24.5 kg | 71.7 lbs./32.5 kg |
| Dimension ^{*2} (W × H × D) | TV + stand | 49 37/64 × 33 29/32 × 13 25/64 inch | 56 5/8 × 38 23/64 × 14 1/2 inch |
| | TV only | 49 37/64 × 31 57/64 × 1 37/64 inch | 56 5/8 × 35 59/64 × 1 37/64 inch |
| Operating temperature | | +32°F to +104°F (0°C to +40°C) | |

^{*1} Emergency alert messages via Cable are unreceivable.

^{*2} The dimensional drawings are shown on the inside back cover.

- As part of policy of continuous improvement, SHARP reserves the right to make design and specification changes for product improvement without prior notice. The performance specification figures indicated are nominal values of production units. There may be some deviations from these values in individual units.

Optional Accessory

The listed optional accessory is available for the Liquid Crystal Television. Please purchase it at your nearest shop.

- Additional optional accessories may be available in the near future. When purchasing, please read the newest catalogue for compatibility and check the availability.

| Part name | Model number |
|--------------------|---|
| Wall mount bracket | AN-37AG2 (for LC-40LE810UN) |
| Attachment | AN-37P30 (for LC-40LE810UN) |
| Wall mount bracket | AN-52AG4 (for LC-46LE810UN/LC-52LE810UN/LC-60LE810UN) |

Information on the Software License for This Product

■ Software composition

The software included in this product is comprised of various software components whose individual copyrights are held by SHARP or by third parties.

■ Software developed by SHARP and open source software

The copyrights for the software components and various relevant documents included with this product that were developed or written by SHARP are owned by SHARP and are protected by the Copyright Act, international treaties, and other relevant laws. This product also makes use of freely distributed software and software components whose copyrights are held by third parties. These include software components covered by a GNU General Public License (hereafter GPL), a GNU Lesser General Public License (hereafter LGPL) or other license agreement.

■ Obtaining source code

Some of the open source software licensors require the distributor to provide the source code with the executable software components. GPL and LGPL include similar requirements. For information on obtaining the source code for the open source software and for obtaining the GPL, LGPL, and other license agreement information, visit the following website:

<http://www.sharppusa.com/gpl>

We are unable to answer any questions about the source code for the open source software. The source code for the software components whose copyrights are held by SHARP is not distributed.

■ Acknowledgements

The following open source software components are included in this product:

- linux kernel/busybox/glibc/zlib/libpng/libjpeg/libiconv/DirectFB/OpenSSL/XMLRPC-EPI/mtd-utils/Expat/Qt/U-Boot/WMDRM/AGG(ver2.3)/device-mapper

■ Software Copyrights

XMLRPC-EPI

Copyright 2000 © Epinions, Inc.

libjpeg

This software is copyright © 1991-1998, Thomas G. Lane.

Portions of this software are based in part on the work of the Independent JPEG Group.

OpenSSL

Copyright © 1998-2008 The OpenSSL Project.

This product includes software developed by the OpenSSL Project for use in the OpenSSL Toolkit. (<http://www.openssl.org>)

SSLey

Copyright © 1995-1998 Eric Young (eay@cryptsoft.com)

This product includes cryptographic software written by Eric Young (eay@cryptsoft.com).

Expat

Copyright © 1998, 1999, 2000 Thai Open Source Software Center Ltd and Clark Cooper.

Copyright © 2001, 2002, 2003, 2004, 2005, 2006 Expat maintainers.

Qt

Copyright © 2009 Nokia Corporation and/or its subsidiary(-ies).

Contact: Qt Software Information (qt-info@nokia.com)

WMDRM

Content owners use Windows Media digital rights management technology (WMDRM) to protect their intellectual property, including copyrights. This device uses WMDRM software to access WMDRM-protected content. If the WMDRM software fails to protect the content, content owners may ask Microsoft to revoke the software's ability to use WMDRM to play or copy protected content. Revocation does not affect unprotected content. When you download licenses for protected content, you agree that Microsoft may include a revocation list with the licenses. Content owners may require you to upgrade WMDRM to access to their content. If you decline an upgrade, you will not be able to access content that requires the upgrade.

Calling for Service

For location of the nearest Sharp Authorized Service, or to obtain product literature, accessories, supplies, or customer assistance, please call 1-800-BE-SHARP.

LIMITED WARRANTY

CONSUMER LIMITED WARRANTY

SHARP ELECTRONICS CORPORATION warrants to the first consumer purchaser that this Sharp brand Liquid Crystal Display product (the "Product"), when shipped in its original container, will be free from defective workmanship and materials, and agrees that it will, at its option, either repair the defect or replace the defective Product or part thereof with a new or remanufactured equivalent at no charge to the purchaser for parts or labor for the period(s) set forth below.

This warranty does not apply to any appearance items of the Product or if the serial number or model number affixed to the Product has been removed, defaced, changed, altered or tampered with. This warranty does not cover installation or signal reception problems. This limited warranty will not apply if the Product has been or is being used in a commercial setting or application; this warranty is meant solely for the non-commercial, household use of the Product by consumers in their home or residence. If you intend to or already use this Product for commercial purposes or in a commercial setting, there are warranties available to cover your use of this Product, the terms of which may vary. Please contact **1-888-GO-SHARP** for further information.

In order to enforce your rights under this limited warranty, you should follow the steps set forth below. You must be able to provide proof of purchase to the servicer, which proof must include the date of purchase.

To the extent permitted by applicable state law, the warranties set forth are in lieu of, and exclusive of, all other warranties, express or implied. Specifically ALL OTHER WARRANTIES OTHER THAN THOSE SET FORTH ABOVE ARE EXCLUDED, ALL EXPRESS AND IMPLIED WARRANTIES INCLUDING THE WARRANTIES OF MERCHANTABILITY, FITNESS FOR USE, AND FITNESS FOR A PARTICULAR PURPOSE ARE SPECIFICALLY EXCLUDED. IF, UNDER APPLICABLE STATE LAW, IMPLIED WARRANTIES MAY NOT VALIDLY BE DISCLAIMED OR EXCLUDED, THE DURATION OF SUCH IMPLIED WARRANTIES IS LIMITED TO THE PERIOD(S) FROM THE DATE OF PURCHASE SET FORTH BELOW. THIS WARRANTY GIVES YOU SPECIFIC LEGAL RIGHTS. YOU MAY ALSO HAVE OTHER RIGHTS WHICH VARY FROM STATE TO STATE.

The warranties given herein shall be the sole and exclusive warranties granted by Sharp and shall be the sole and exclusive remedy available to the purchaser and only for the time periods set forth herein. No other representations or promises made by anyone are permitted. Correction of defects, in the manner and for the period of time described herein, shall constitute complete fulfillment of all liabilities and responsibilities of Sharp to the purchaser with respect to the Product, and shall constitute full satisfaction of all claims, whether based on contract, negligence, strict liability or otherwise. Sharp does not warrant nor shall Sharp be liable, or in any way responsible, for Products which have been subject to abuse (including, but not limited to, improper voltage), accident, misuse, negligence, lack of reasonable care, alteration, modification, tampering, misuse, improper operation or maintenance or any damages or defects in the Product which were caused by repairs or attempted repairs performed by anyone other than a Sharp authorized servicer. Nor shall Sharp be liable or in any way responsible for any incidental or consequential economic or property damage. Some states do not allow limits on warranties or on remedies for breach in certain transactions; in such states, the limits herein may not apply.

THIS LIMITED WARRANTY IS VALID ONLY IN THE FIFTY (50) UNITED STATES, THE DISTRICT OF COLUMBIA AND PUERTO RICO.

Model Specific Section

Your Product Model Number & Description:

LC-40LE810UN/LC-46LE810UN/LC-52LE810UN/LC-60LE810UN
LCD Color Television

(Be sure to have this information available when you need service for your Product.)

Warranty Period for this Product:

One (1) year parts and labor from the date of purchase.

Additional Exclusions from Warranty Coverage (if any):

In order for the Product to be serviced, the Product must be readily available to the servicer, free and clear of any complex or non-standard installation, mounting or other encumbrance which would unreasonably interfere with servicing the Product. The Servicer will remount the Product after service, provided that such remounting is not into a complex or non-standard installation. Any additional labor and materials required to remove and/or reinstall a Product above and beyond the foregoing are not covered by this warranty, may result in additional charges and are the responsibility of the consumer. Image Retention resulting from a fixed image being displayed for long periods of time is not covered by this Limited Warranty (see Operation Manual on how to prevent this).

Where to Obtain Service:

From a Sharp Authorized Servicer located in the United States. To find the location of the nearest Sharp Authorized Servicer, please call Sharp toll free at 1-800-BE-SHARP.

What to do to Obtain Service:

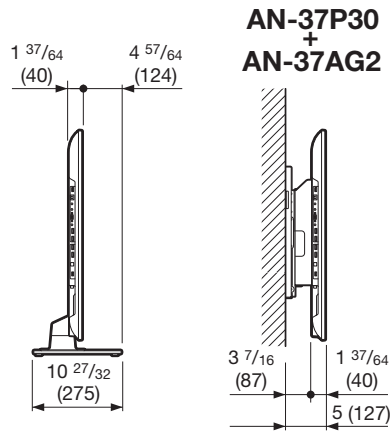
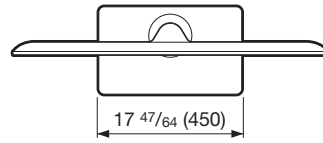
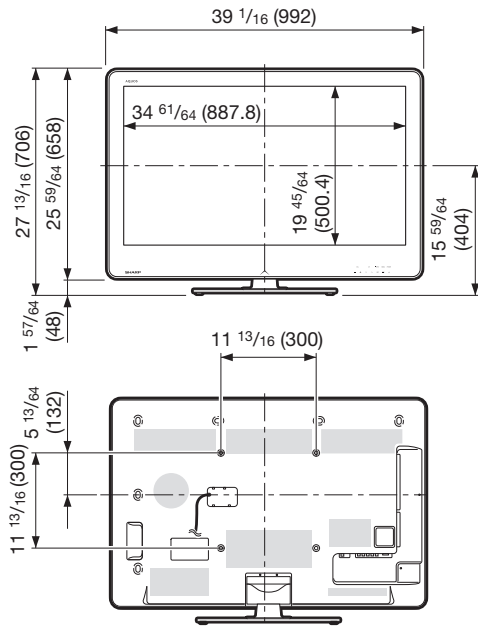
Contact your Sharp Authorized Servicer to obtain in home service for this product. The Servicer will come to your location and if necessary remove the unit for repair at the Servicer's facility and return the set to you once completed. Be sure to have **Proof of Purchase** available.

TO OBTAIN PRODUCT INFORMATION OR PURCHASE ACCESSORIES AND EXTENDED WARRANTIES, CALL **1-800-BE-SHARP** OR VISIT www.sharpsusa.com

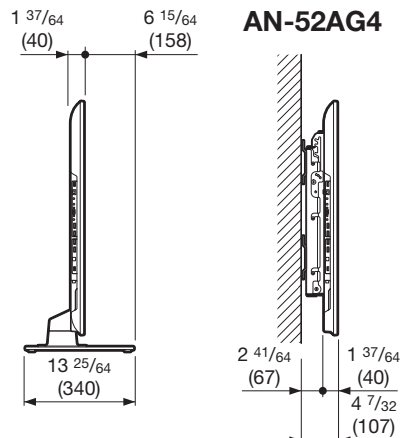
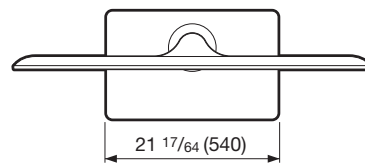
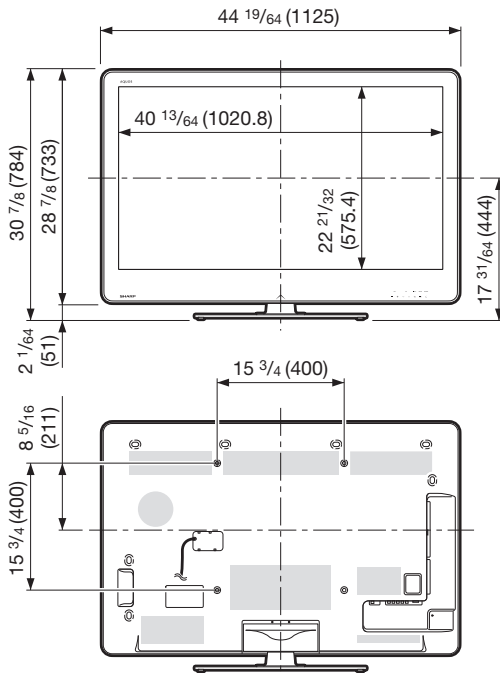
Dimensional Drawings

LC-40LE810UN

Unit: inch (mm)
 Unité: pouce (mm)
 Unidad: pulgada (mm)



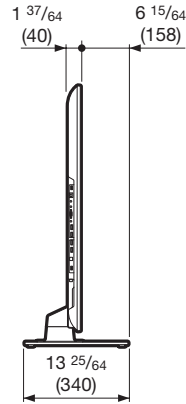
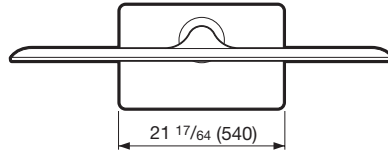
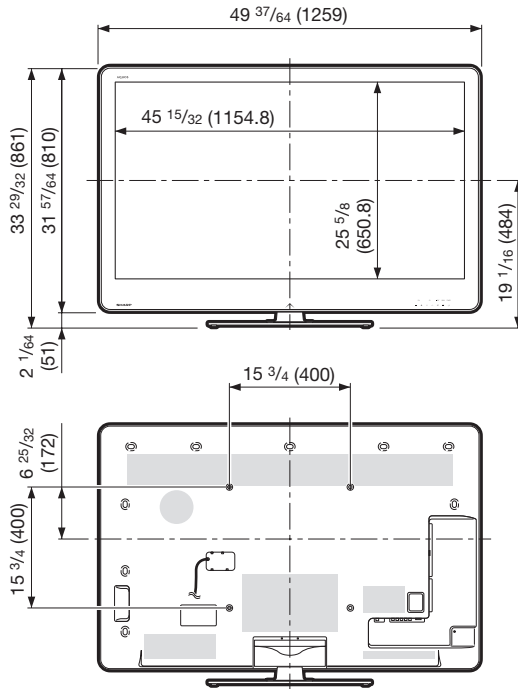
LC-46LE810UN



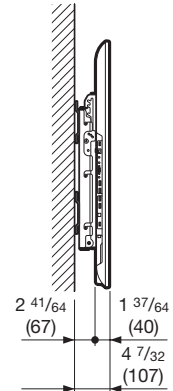
Dimensional Drawings

LC-52LE810UN

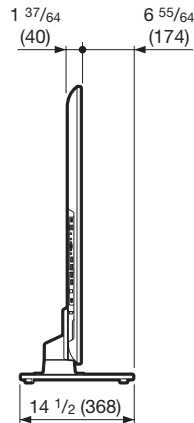
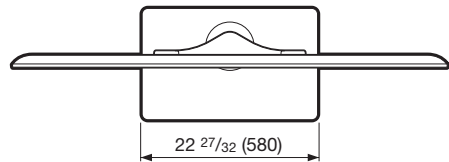
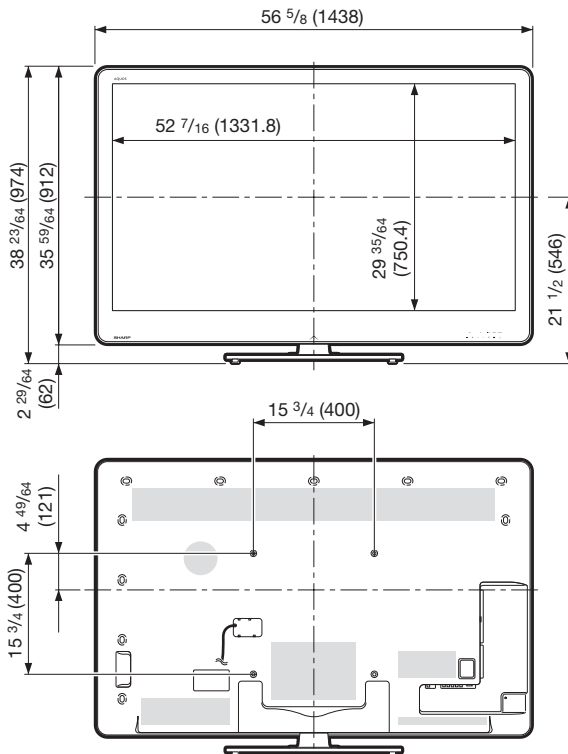
Unit: inch (mm)
 Unité: pouce (mm)
 Unidad: pulgada (mm)



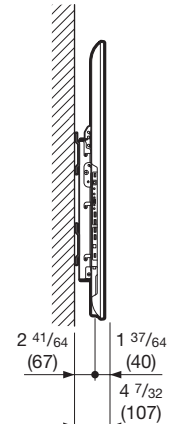
AN-52AG4



LC-60LE810UN



AN-52AG4



SHARP®

SHARP ELECTRONICS CORPORATION

Sharp Plaza, Mahwah, New Jersey 07495-1163

SHARP CORPORATION

Printed in Mexico
Imprimé au Mexique
Impreso en México
TINS-E589WJZZ
10P02-MX-NM