

maximum impact

for your
message



PlasmaSync® 84VP4

Whether its to catch up on world news, view flight information or entice purchases through special promotions, interchangeable messaging is the clear advantage of using dynamic signage.

The 84VP4 is 84" of customizable presentation power.

Empowered by Innovation

NEC

Add impact to your information.

NEC has bundled four PX42VP4's and the required wall mount for a huge display area of nearly 3000 square inches! That is a lot of viewing power. Add impact by running one source over the entire 84" display to capture your audience's attention. Or, supply critical meeting room schedules from your internal database, flight information from a second source all while world and local news stories are running. With the 84VP4's sophisticated timer/source programmability feature, the ability to control and customize your presentation is endless. With broad source compatibility from video to HD to RGB and the signal loop-out capability, sources can easily be looped from one monitor to the next for a customized presentation.

The PlasmaSync 84VP4 has an outstanding image quality of 1706x960 native resolution and a viewing angle up to 160°. You can be sure the message is seen and understood. An Auto ID feature allows for easy matrix setup and the added sophisticated video signal processing delivers super bright images, pure reds and saturated colors. A sleek new design with an ingenious cable management system makes it the perfect choice for hotel lobbies, retail environments, tradeshow exhibits and large venue applications.

The 84VP4 is maximum impact for your messaging.



Anti-Reflective
(AR) filter (84VP4A)

Anti-Glare
(AG) filter (84VP4D)

Digital AccuDevice

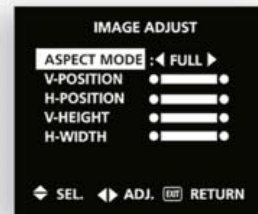
20% brighter

Cable management

Programmable timer

Motion compensated
3D scan conversion

3/2 pull down





Our advanced menu system allows for precise color and image matching for a uniform 84" image.

Features

Convenient and sleek

The cabinet design allows for a small form PC to be attached solving the problem of source equipment location.

Fanless design for quiet operation

A fanless design for silent operation no matter what environment it is in.

Virtually self-operating

A programmable timer can be set up to virtually operate itself by setting power on/off, changing inputs and selecting AccuShield modes.

External control and self diagnostics

A complete set of RS232 commands allow monitor functions to be operated remotely via serial communications. In addition, operating problems can be identified and communicated via RS232 or front bezel LED lights through its self diagnostics system.

Core Technologies

AccuShield™ phosphor protection

Your screen stays protected as it maximizes the useful life of the product with the most comprehensive set of built in modes including programmable Orbiter, Inverse RGB, All-White, Pixel Refresh and Brightness Limiter.

Advanced AccuBlend™

Scan conversion provides high quality scaling for non-native resolutions signals.

Capsulated Color Filter and AccuCrimson™

NEC's patented technology ensures realistic color and it's further enhanced by AccuCrimson technology for the purest reds possible.



Anti-Glare Filter diffuses direct light sources. Image is easy to see under even severe lighting conditions.

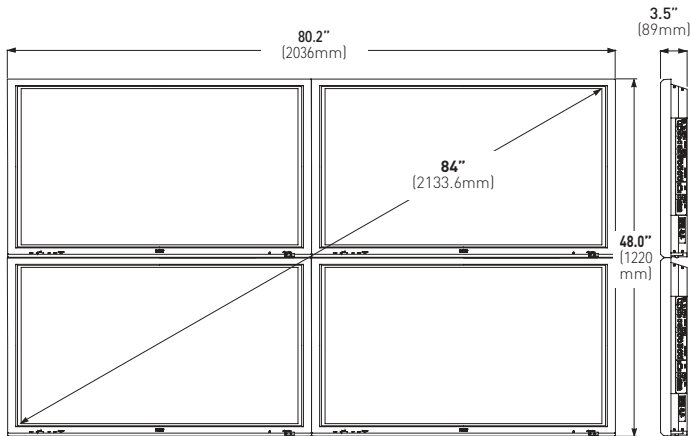
Capsulated Color Filter technology for extremely realistic color reproduction

AccuShield Phosphor Protection System enhanced with pixel refresh mode

anti-reflective

Anti-Reflective Filter for controlled lighting situations. Provides a sharp and crisp image.

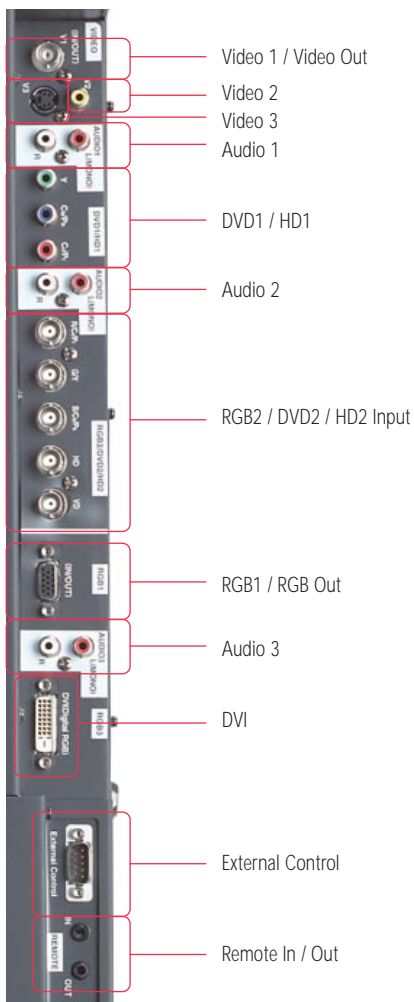
PlasmaSync 84VP4



Specifications

Model Number	PX-84VP4																
Diagonal Screen Size	84"																
Screen Aspect Ratio	16 to 9																
Active Screen Area	1842 mm x 1036 mm																
Native Pixel Resolution	1706 vertical dots x 960 horizontal rows																
Pixel Pitch	1.08 mm square																
Capsulated Color Filter	Yes																
Accucrimson	Yes																
Front Filter Type	AR - Anti-reflective or AG - Anti-glare																
Output color	256 RGB levels, 16.7 million colors																
Viewing Angle	160 degrees																
Horizontal Frequency Range	15.5 to 110.0 kHz auto, step scan																
Vertical Frequency Range	50 to 120 Hz auto, step scan																
PC Signal Compatibility	VGA 640x480 @ 60, 72, 75, 85, 100, 120 Hz SVGA 800x600 @ 56, 60, 72, 75, 85, 100, 120 Hz XGA 1024x768 @ 60, 70, 75, 85, 100 Hz SXGA 1280x1024 @ 60, 75, 85, 100 Hz UXGA 1600x1200 @ 60, 65, 70, 75, 85 Hz WideVGA 848x480, 852 x 480 @ 60 Hz WideXGA 1360 x 765 @ 60 Hz																
Macintosh Compatibility	640x480, 832x624, 1024x768, 1152x870																
Video Signal Compatibility	PAL, SECAM, 3.58/4.43 NTSC																
HD Video Signal Compatibility	480p 480i, 525p, 525i, 540p, 625p, 625i, 720p, 1035i, 1080i																
Input Terminals	<table border="0"> <tr> <td>RGB 1 (analog)</td> <td>15-pin mini D-sub</td> </tr> <tr> <td>RGB 2 (analog)</td> <td>5 BNC (RGB/HV) (common use with 5BNC Y/Pb/Pr input, selectable)</td> </tr> <tr> <td>RGB 3 (digital)</td> <td>29-pin DVI (digital only)</td> </tr> <tr> <td>Video 1</td> <td>Composite RCA x 1</td> </tr> <tr> <td>Video 2</td> <td>Composite BNC x 1</td> </tr> <tr> <td>Video 3</td> <td>S-Video 4-Pin DIN</td> </tr> <tr> <td>HD Video 1</td> <td>1 set RCA Component (Y,Pb,Pr/Y,Cb,Cr)</td> </tr> <tr> <td>HD Video 2</td> <td>1 set BNC Component (Y,Pb,Pr/Y,Cb,Cr) (common use with 5BNC Y/Pb/Pr input,selectable)</td> </tr> </table>	RGB 1 (analog)	15-pin mini D-sub	RGB 2 (analog)	5 BNC (RGB/HV) (common use with 5BNC Y/Pb/Pr input, selectable)	RGB 3 (digital)	29-pin DVI (digital only)	Video 1	Composite RCA x 1	Video 2	Composite BNC x 1	Video 3	S-Video 4-Pin DIN	HD Video 1	1 set RCA Component (Y,Pb,Pr/Y,Cb,Cr)	HD Video 2	1 set BNC Component (Y,Pb,Pr/Y,Cb,Cr) (common use with 5BNC Y/Pb/Pr input,selectable)
RGB 1 (analog)	15-pin mini D-sub																
RGB 2 (analog)	5 BNC (RGB/HV) (common use with 5BNC Y/Pb/Pr input, selectable)																
RGB 3 (digital)	29-pin DVI (digital only)																
Video 1	Composite RCA x 1																
Video 2	Composite BNC x 1																
Video 3	S-Video 4-Pin DIN																
HD Video 1	1 set RCA Component (Y,Pb,Pr/Y,Cb,Cr)																
HD Video 2	1 set BNC Component (Y,Pb,Pr/Y,Cb,Cr) (common use with 5BNC Y/Pb/Pr input,selectable)																
Audio	3 sets RCA stereo + external speaker jacks																
Audio	Internal amplifier, 8W x 2 output power																
External Control	9-pin mini D-Sub, RS232																
User Controls	<table border="0"> <tr> <td>Direct Access</td> <td>Power on/off, input selection, volume up/down, OSM access, (Control Lock Switch located on input panel)</td> </tr> <tr> <td>Remote Control</td> <td>Power on/off, input select, volume, mute, wide, display, off-timer, OSM control, cursor, pointer, zoom, auto, select</td> </tr> <tr> <td>OSM</td> <td>Picture - Contrast, brightness, sharpness, color, tint, color temperature, white balance, picture mode, noise reduction, gamma, low tone and color tune</td> </tr> <tr> <td>Audio</td> <td>bass, treble, balance and audio input</td> </tr> <tr> <td>Image Adjust</td> <td>aspect ratio mode, vertical position, horizontal position, vertical height, horizontal width, fine picture, picture adjust, auto picture</td> </tr> <tr> <td>Option 1</td> <td>OSM on/off, BNC Input, D-sub Input, RGB select, HD select, Input Skip, All Reset</td> </tr> <tr> <td>Option 2</td> <td>Power Management, Cinema Mode, Long Life Mode</td> </tr> <tr> <td>Option 3</td> <td>Timer, Pwr. On mode, Control Lock, IR Remote, Loop Out, ID Number, Video Wall, Advanced OSM, Language, Color System, Source</td> </tr> </table>	Direct Access	Power on/off, input selection, volume up/down, OSM access, (Control Lock Switch located on input panel)	Remote Control	Power on/off, input select, volume, mute, wide, display, off-timer, OSM control, cursor, pointer, zoom, auto, select	OSM	Picture - Contrast, brightness, sharpness, color, tint, color temperature, white balance, picture mode, noise reduction, gamma, low tone and color tune	Audio	bass, treble, balance and audio input	Image Adjust	aspect ratio mode, vertical position, horizontal position, vertical height, horizontal width, fine picture, picture adjust, auto picture	Option 1	OSM on/off, BNC Input, D-sub Input, RGB select, HD select, Input Skip, All Reset	Option 2	Power Management, Cinema Mode, Long Life Mode	Option 3	Timer, Pwr. On mode, Control Lock, IR Remote, Loop Out, ID Number, Video Wall, Advanced OSM, Language, Color System, Source
Direct Access	Power on/off, input selection, volume up/down, OSM access, (Control Lock Switch located on input panel)																
Remote Control	Power on/off, input select, volume, mute, wide, display, off-timer, OSM control, cursor, pointer, zoom, auto, select																
OSM	Picture - Contrast, brightness, sharpness, color, tint, color temperature, white balance, picture mode, noise reduction, gamma, low tone and color tune																
Audio	bass, treble, balance and audio input																
Image Adjust	aspect ratio mode, vertical position, horizontal position, vertical height, horizontal width, fine picture, picture adjust, auto picture																
Option 1	OSM on/off, BNC Input, D-sub Input, RGB select, HD select, Input Skip, All Reset																
Option 2	Power Management, Cinema Mode, Long Life Mode																
Option 3	Timer, Pwr. On mode, Control Lock, IR Remote, Loop Out, ID Number, Video Wall, Advanced OSM, Language, Color System, Source																
Information																	
Plug & Play	DDC1, DDC2B (RGB3 is DDC2B only)																
Power Requirements	120V 50/60 Hz																
Power Consumption	1100 W Typical, 14.8 Amp Maximum																
Standby Power	0.9W each																
Dimensions (WxHxD)	80.2 x 48.0 x 3.5 inches, 2036 x 1220 x 89mm (without base)																
Weight	114.0 kg, 251.2 lbs.																
Environmental Considerations	<table border="0"> <tr> <td>Operating Temperature</td> <td>32 - 104 degrees F (0 - 40 degrees C)</td> </tr> <tr> <td>Operating Humidity</td> <td>20 - 80%</td> </tr> <tr> <td>Operating Altitude</td> <td>0 - 9180 feet (0 - 2800m)</td> </tr> <tr> <td>Storage Temperature</td> <td>14 - 122 degrees F (-10 - 50 degrees C)</td> </tr> <tr> <td>Storage Humidity</td> <td>10 - 90%</td> </tr> <tr> <td>Storage Altitude</td> <td>0 to 9840 feet (0 - 3000m)</td> </tr> </table>	Operating Temperature	32 - 104 degrees F (0 - 40 degrees C)	Operating Humidity	20 - 80%	Operating Altitude	0 - 9180 feet (0 - 2800m)	Storage Temperature	14 - 122 degrees F (-10 - 50 degrees C)	Storage Humidity	10 - 90%	Storage Altitude	0 to 9840 feet (0 - 3000m)				
Operating Temperature	32 - 104 degrees F (0 - 40 degrees C)																
Operating Humidity	20 - 80%																
Operating Altitude	0 - 9180 feet (0 - 2800m)																
Storage Temperature	14 - 122 degrees F (-10 - 50 degrees C)																
Storage Humidity	10 - 90%																
Storage Altitude	0 to 9840 feet (0 - 3000m)																
Warranty	1 Year Parts & Labor Standard																
Regulatory	FCC Class A, UL1950, CSA950																
Included Accessories	AC Power Cord, User Manual, Remote Control, Batteries, Cable Clamps																
Optional Accessories	Terminal Cover PX-CV1U																

*Signal DA is required for sending a signal to more than 4 monitors simultaneously.



Service and Support

The PlasmaSync 84VP4 is supported by NEC's industry leading service and support programs. It comes with a standard 1-year manufacturer's warranty plus an extended warranty option that provides two additional years of coverage and is available from your authorized NEC Visual Systems Division dealer.

For more information, call **(800) NEC-INFO** or visit **www.necvisualsystems.com**

NEC is a registered trademark of NEC Corporation. All other trademarks are the property of their respective owners. All specifications subject to change without notice.

NEC Solutions (America), Inc.
Visual Systems Division
1250 Arlington Heights Rd., Suite 500
Itasca, IL 60143-1248