



CL-47PLC68/ CL-47PLC68-S

## 47" Sealed Flat Panel Screen

There has never been an outdoor flat panel display like the Ciil outdoor display. Eliminating the need for vents, filters or exhaust fans, the unique fully-sealed design provides the ultimate protection against weather, water and dust. A patented Dynamic Thermal Transfer™ system keeps internal components safely warmed in extreme cold and properly cooled in extreme heat. The Ciil outdoor flat panel display has the highest ratings for waterproof and dustproof in it's class. Making it the perfect choice for any location and in any weather.



### Features

- Patented Dynamic Thermal Transfer™ system keeps internal components safely warmed in extreme cold and properly cooled in extreme heat without the need for exhaust ventilation.
- Fully-sealed seamless design prevents water, dust or insects from entering the display and provides the highest environmental protection in the harshest environments.
- Ambient light sensor automatically adjusts brightness to best match the lighting conditions, providing the best picture at all times.
- Ultra-Slim 1/4" bezel makes beautiful outdoor digital signage and virtually seamless video walls possible.
- Anti-reflective impact-resisant safety glass protects the screen against damage.
- Ciil's unique triple protected body construction shields internal components against water, smoke, dust, chemical clouds, fuel exhaust, micro-particles, acid base or ice.
- Total customization available. Color match the body to any color needed. Add logos or artwork with custom silkscreening or overlay skins.



Side View



Front View



Back View



Top View



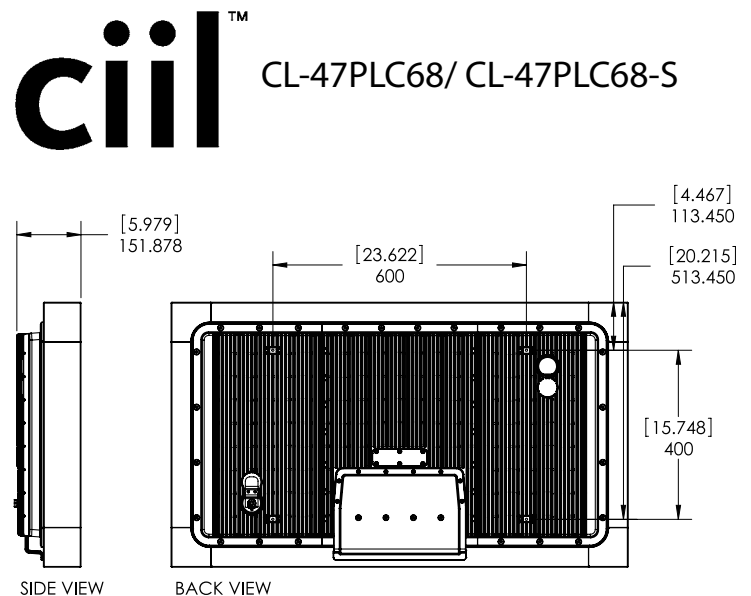
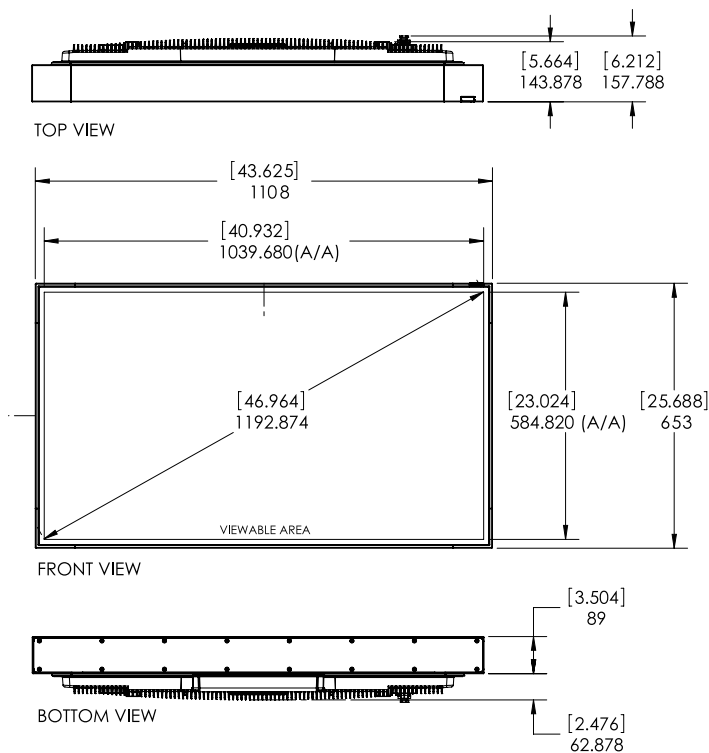
Back View of Connections

performs beyond expectations™



Product Name	Ciil 47" Sealed Flat Panel Display
Part Number	CL-47PLC68/ CL-47PLC68-S
<b>LCD Display</b>	
Screen Size	47" diagonal
Aspect Ratio	16:9
Resolution	1920 x 1080
Brightness	700cd/m <sup>2</sup>
Backlight Adjustment	Automatic (Ambient Light Sensor)
Contrast Ratio	1000:1
Viewing Angle	178° Vertical/Horizontal
Response Time	9 ms (Gray to Gray)
<b>TV Controller Features</b>	
Analog TV	NTSC
Digital TV	ATSC
Picture Adjustment	Brightness/Contrast/Saturation/Tint/ Sharpness/Noise reduction
Picture Mode	Standard, Dynamic, Personal, Soft
Color Temperature Adjustment	Cool, Normal, Warm
Screen Adjustment	Normal/Wide/Zoom
Clock, Sleep Timer	Yes
MTS	Yes
V-chip	Yes
Closed Caption	Yes
Electronic Program Guide	Yes
Noise Reduction	Yes
3-D Comb Filter & De-Interlace	Yes
Mute	Yes
OSD Language	English, French, Spanish

<b>Input/Output Connections</b>	
TV Input	Coax, 75 ohm (x1)
VGA Input	15 pin D-SUB (x1)
HDMI Input	HDMI (x2), 480i, 480p, 720p, 1080i, 1080p
S-Video Input	Mini DIN (x1)
CVBS Input	RCA (x1)
YPbPr Input	RCA (x2), 480i, 480p, 720p, 1080i, 1080p
VGA Stereo Audio Input	Earphone (x1)
CVBS Stereo Audio Input	RCA (x1)
YPbPr Stereo Audio Input	RCA (x2)
Audio Stereo Output	8W + 8W, 8 Ohm (Optional Feature)
Electronic Program Guide	Yes
<b>Power</b>	
AC Input	90 VAC to 240 VAC, 47 to 63 Hz
Power Consumption	Display – 235 W (Nominal) Low Temperature Heater – 500 W
<b>Environmental</b>	
Operating Temperature	-40°F to 140°F
Storage Temperature	-40°F to 140°F (Unit Left Plugged In)
IP Rating	IP68 (To a Depth of 5ft)
Safety/EMC	UL, FCC Class B
<b>Mechanical</b>	
Size	43.6" x 25.7" x 6.0" (W x H x D)
Color	Black, Silver
Glass	Anti-reflective & UV Protection
VESA® Pattern	600mm x 400mm
Net Weight	110lb
Shipping Carton Size	47" x 29" x 8.3" (W x H x D)



## Ciil Technologies, LLC

1950 Hawthorne Ave.  
Melrose Park, IL 60160  
708-343-0600

Customer Care: 877-355-2445  
www.ciiltech.com  
info@ciiltech.com

