



42" LED



Model No.: **DP42142**

Owner's Manual (English)

1080p HDTV LCD

Part No.: 1JC0P1P0015 - -

© 2012 Sanyo Manufacturing Corporation



Please read before operating your HDTV!

PROTECTING THE LCD-LED SCREEN

CAUTION: The screen can be damaged if it is not maintained properly.

- Do not use hard objects such as hard cloth or paper to clean the screen.
- Do not use excessive pressure when cleaning the screen; excessive pressure can cause permanent discoloration or dark spots.
- NEVER** spray liquids on the screen.

HANDLING PRECAUTIONS

- Handle by the cabinet only.
- Handling by two or more people is recommended.
- Never touch the screen when handling.
- Handling damage is **not** covered under warranty.
- Do not remove the protective film covering the front cabinet while handling the HDTV.

POSITIONING THE HDTV

- Always use a firm and flat surface when positioning your HDTV.
- Do not position the unit in a confined area.
- Allow adequate space for proper ventilation.
- Do not position the HDTV where it is easily reachable by small children and may present risk of injury.
- Once HDTV is positioned, remove the protective film covering front cabinet.

The American Academy of Pediatrics discourages media use by children younger than two years. For more information, visit www.aap.org.

ENERGY STAR is a set of power-saving guidelines issued by the U.S. Environmental Protection Agency (EPA). ENERGY STAR is a joint program of the U.S. Environmental Protection Agency and the U.S. Department of Energy helping us all save money and protect the environment through energy efficient products and practices.

Changes to default as-shipped television configuration and settings or enabling certain optional features and functionalities will change the energy consumption of the television, this may increase energy consumption beyond the limits required for ENERGY STAR qualification.

TRADEMARKS

Manufactured under license from Dolby Laboratories. "Dolby" is a trademark of Dolby Laboratories.



HDMI, the HDMI Logo and High-Definition Multimedia Interface are trademarks or registered trademarks of HDMI Licensing LLC in the United States and other countries.



As an Energy Star® Partner, Sanyo Manufacturing Corporation has determined that this product meets the Energy Star® guidelines for energy efficiency.



Manufactured under license from Audyssey Laboratories. U.S. and foreign patents pending. Audyssey Dynamic Volume® is a registered trademark of Audyssey Laboratories.

SPECIFICATIONS

Power Requirement:
Source: AC 120V, 60Hz

AC Power Consumption: 90 watts

Weight: 31.2 lbs (without stand)

Dimensions

	WIDTH	HEIGHT	DEPTH
w/stand	38.9	24.7	7.7
w/out stand	38.9	23.7	2.9

NOTE: Dimensions are in inches

SANYO television customers should contact MRM Recycling at 888-769-0149 or visit their website at www.mrmrecycling.com regarding SANYO's waste management plan.



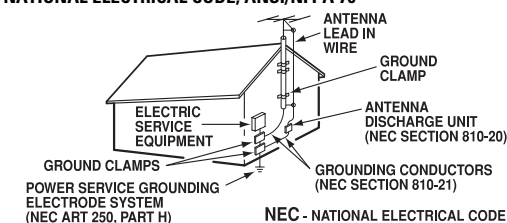
CAUTION	RISK OF ELECTRIC SHOCK DO NOT OPEN!	THIS SYMBOL INDICATES THAT DANGEROUS VOLTAGE CONSTITUTING A RISK OF ELECTRIC SHOCK IS PRESENT WITHIN THIS UNIT.
CAUTION: TO REDUCE RISK OF ELECTRIC SHOCK, DO NOT REMOVE COVER (OR BACK). NO USER-SERVICEABLE PARTS INSIDE. REFER SERVICING TO QUALIFIED SERVICE PERSONNEL.		THIS SYMBOL INDICATES THAT THERE ARE IMPORTANT OPERATING AND MAINTENANCE INSTRUCTIONS IN THE LITERATURE ACCOMPANYING THIS UNIT.

WARNING: TO REDUCE THE RISK OF FIRE OR ELECTRIC SHOCK, DO NOT EXPOSE THIS APPLIANCE TO RAIN OR MOISTURE.

IMPORTANT SAFETY INSTRUCTIONS

- Read these instructions.
- Keep these instructions.
- Heed all warnings.
- Follow all instructions.
- Do not use this apparatus near water.
- Clean only with dry cloth.
- Do not block any ventilation openings. Install in accordance with the manufacturer's instructions.
- Do not install near any heat sources such as radiators, heat registers, stoves, or other apparatus (including amplifiers) that produce heat.
- Do not defeat the safety purpose of the polarized or grounding-type plug. A polarized plug has two blades with one wider than the other. A grounding-type plug has two blades and a third grounding prong. The wide blade or the third prong are provided for your safety. If the provided plug does not fit fully into your outlet, consult an electrician for replacement of the obsolete outlet.
- Protect the power cord from being walked on or pinched particularly at plugs, convenience receptacles, and the point where they exit from the apparatus.
- Only use attachments/accessories specified by the manufacturer.
- Use only with the cart, stand, tripod, bracket, or table specified by the manufacturer, or sold with the apparatus. When a cart is used, use caution when moving the cart/apparatus combination to avoid injury from tip-over.
- Unplug this apparatus during lightning storms or when unused for long periods of time.
- Refer all servicing to qualified service personnel. Servicing is required when the apparatus has been damaged in any way, such as power-supply cord or plug is damaged, liquid has been spilled or objects have fallen into the apparatus, the apparatus has been exposed to rain or moisture, does not operate normally, or has been dropped.
- If an outside antenna is connected to the television equipment, be sure the antenna system is grounded so as to provide some protection against voltage surges and built up static charges. In the U.S. Selection 810-21 of the National Electrical Code provides information with respect to proper grounding of the mast and supporting structure, grounding of the lead-in wire to an antenna discharge unit, size of grounding conductors, location of antenna discharge unit, connection to grounding electrodes, and requirements for the grounding electrodes.
- An outside antenna system should not be located in the vicinity of overhead power lines or other electrical light or power circuits, or where it can fall into such power lines or circuits. When installing an outside antenna system, extreme care should be taken to keep from touching such power lines or circuits as contact with them might be fatal.

EXAMPLE OF ANTENNA GROUNDING ACCORDING TO NATIONAL ELECTRICAL CODE, ANSI/NFPA 70



"Note to CATV system installer: This reminder is provided to call the CATV system installer's attention to Article 820-40 of the NEC that provides guidelines for proper grounding and, in particular, specifies that the cable ground shall be connected to the grounding system of the building, as close to the point of cable entry as practical."

- Wall or Ceiling Mounting—The product should be mounted to a wall or ceiling only as recommended by the manufacturer.
- Apparatus shall not be exposed to dripping or splashing, and no objects filled with liquids, such as vases, shall be placed on it.
- When the MAINS plug is used as the disconnect device, the disconnect device shall remain readily operable.

FCC INFORMATION

This equipment has been tested and found to comply with the limits for a Class B digital device, pursuant to Part 15 of the FCC Rules. These limits are designed to provide reasonable protection against harmful interference in a residential installation. This equipment generates, uses and can radiate radio frequency energy and, if not installed and used in accordance with the instructions, may cause harmful interference to radio communications. However, there is no guarantee that interference will not occur in a particular installation. If this equipment does cause harmful interference to radio or television reception, which can be determined by turning the equipment off and on, the user is encouraged to try to correct the interference by one or more of the following measures:

- Reorient or relocate the receiving antenna.
- Increase the separation between the equipment and receiver.
- Connect the equipment into an outlet on a circuit different from that to which the receiver is connected.
- Consult the dealer or an experienced radio/TV technician for help.

CAUTION: FCC Regulations state that improper modifications or unauthorized changes to this unit may void the user's authority to operate the unit.



This equipment is a Class II or double insulated electrical appliance. It has been designed in such a way that it does not require a safety connection to electrical earth.

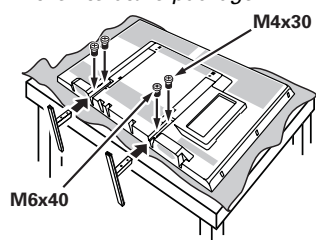
GETTING STARTED

STAND ASSEMBLY

NOTE: Skip these steps if you are wall mounting the TV.

- Place HDTV **face down** on a padded or cushioned flat surface to protect the screen and finish.
- Carefully insert both foot stands to the bottom of the HDTV and secure each one by inserting a M4x30 screw on top, and the longer M6x40 screw on the bottom as indicated in the diagram below.

NOTE: Foot stand screws are found in the literature package.



- Position the HDTV on a firm and flat surface with adequate space for proper ventilation.

WALL MOUNTING (OPTIONAL)

Wall mounting of the HDTV must be performed by a skilled person.

For foot stand disassembly (if needed):

- Place HDTV **face down** on a padded or cushioned flat surface to protect the screen and finish.
- Remove the two (2) screws securing each foot stand. **CAUTION:** Hold the stands firmly as you remove screws.

- Remove the four (4) M6x12 screws threaded in the VESA holes on the back of the TV.
- Use the removed screws to secure the TV to a wall mounting kit.

NOTE: Wall mounting kit is not included.

VESA standard interface: 200 x 200
Mounting screws measurements:
Diameter: M6 (6mm) Length: 12mm

BATTERY INSTALLATION

Install two (2) "AAA" batteries in the remote control. (Not included)

PRECAUTIONS:

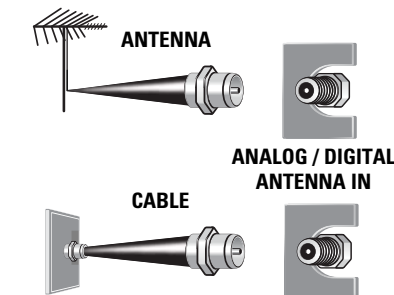
- Replace both batteries at the same time. Do not use a new battery with a used battery.
- There's a risk of explosion if a battery is replaced by an incorrect type.
- Keep away from moisture.
- Be sure to match the "+" and "-" signs on the batteries with marks inside the remote control.
- Please properly dispose of used up batteries.

WARNING: The batteries (or battery pack) shall not be exposed to excessive heat such as sunshine, fire or the like.

ANTENNA CONNECTION FOR OFF-AIR SIGNALS OR CABLE

Hook up your antenna or your cable service to the HDTV's **ANT** terminal with the use of a 75 OHM coaxial cable.

NOTE: Keep your indoor antenna at least 3 ft. away from the television set and any other electronic equipment.



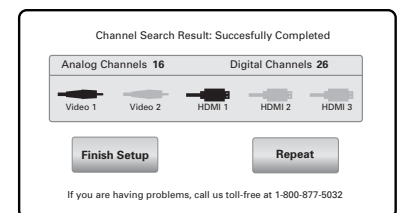
The tuner in this HDTV can receive:

- Digital and Analog off air signals from an antenna
- Analog or ClearQAM cable channels from a direct Cable TV connection.

INITIAL CHANNEL SEARCH

Before proceeding, please make sure to correctly hook up your antenna or cable connection and all AV equipment to your HDTV.

- PLUG IN AC POWER CORD**
120V AC, 60Hz
- TURN ON TV**
- TV SET LOCATION SELECTION:**
Select "Home Mode" to set the HDTV's backlight to an Energy Star qualified level, or select "Store Mode" to set the backlight to a retail display level.
- CHANNEL AND SIGNAL SEARCH:**
Select "Signal Search" and press **ENTER** to perform a channel search from an Antenna or a direct Cable connection, and a signal search from devices hooked up to the HDTV's AV input jacks.
- SIGNAL SEARCH RESULT SCREEN**
The final setup screen displays analog and digital channels found, as well as AV inputs detected. Select **Finish Setup** and press **ENTER**.
NOTE: If you wish to repeat the process, select Repeat.



AV INPUT SELECTION

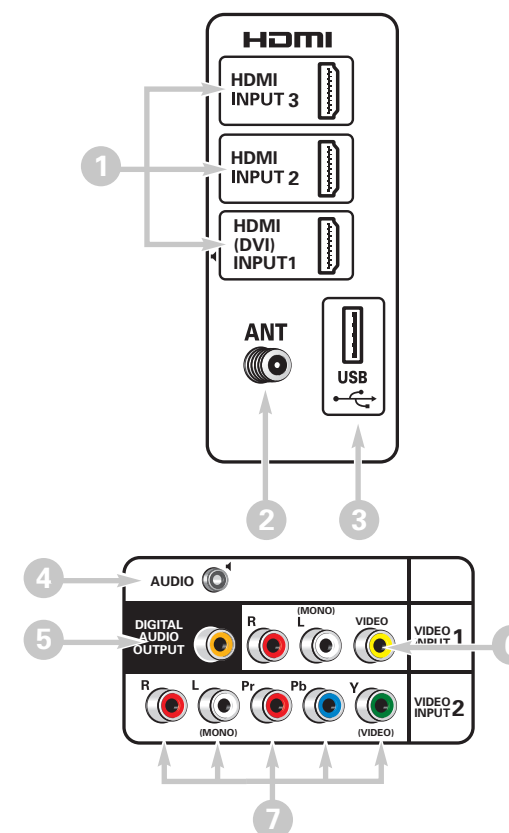
Press the **INPUT** key to select the correct AV input for the video source you wish to watch.

NOTE: Unused AV inputs may be disabled with the Input Setting feature.

HDTV INPUT/OUTPUT REFERENCE

- HDMI (INPUT1, INPUT2 & INPUT3)**
Use **HDMI INPUT1, 2 & 3** to hookup HD digital devices such as a Blu-ray player, HD Cable Box, HD Satellite Receiver or Video-game System.
Connect your digital device's HDMI output to any of the three (3) HDMI inputs on your HDTV with the use of an HDMI cable.
NOTE: A DVI connection is possible via the HDMI (DVI) INPUT1 using an appropriate cable or adapter and connecting the audio to the AUDIO mini stereo jack.
- Analog / Digital Antenna Input**
Hook up your indoor or outdoor digital antenna, or a direct Cable service (Analog or ClearQAM).
- USB**
USB input jack is used to connect a USB mass storage device to watch digital images stored in JPEG format.
- AUDIO mini stereo jack (3.5mm)**
For AUDIO signal from DVI device (using HDMI INPUT1).
- Digital Audio Output (Coaxial)**
Hookup a multichannel receiver with the use of a phonotype digital audio cable.
- VIDEO INPUT1 (COMPOSITE)**
Yellow (Video), plus white and red (Audio) input jacks.
COMPOSITE connections are used to hookup your analog equipment such as a VCR or an older DVD player.
NOTE: Match the color of your device's output jack, the connector and the HDTV's input jack.
- VIDEO INPUT2 (COMPONENT)**
Green (Y), blue (Pb), and red (Pr) Video inputs plus the white and red Audio inputs.
COMPONENT connection will accept SDTV, EDTV and HDTV video signals. Use it for great image quality from digital devices such as a DVD player or Video Game system. Match your digital device's Component output jacks to the Component input jack set (VIDEO2) on your HDTV.
NOTE: A composite connection is possible via VIDEO INPUT2 using the Y (VIDEO) jack and the L/R audio jacks (see Video2 Setting.)

HDTV BACK PANEL



Sanyo Manufacturing Corp. 3333 Sanyo Road, Forrest City, AR 72335

Printed in Mexico, April 2012
US2J / 42-Z5GH / GXBM

