

M3701 C

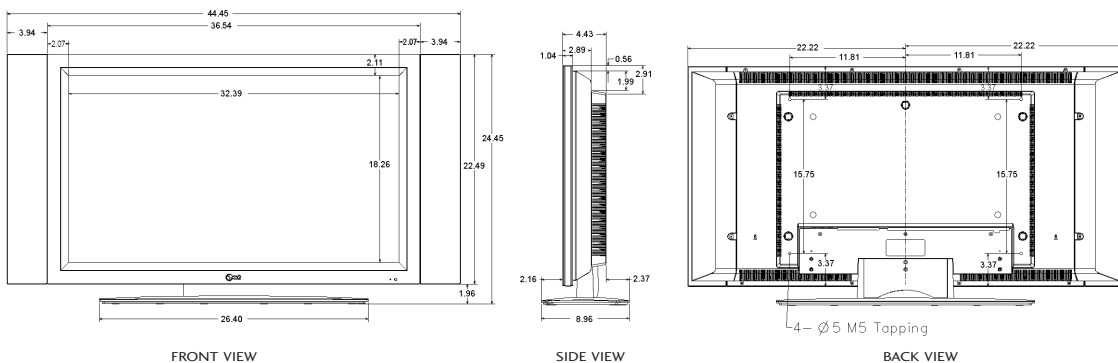
37" LCD Widescreen HD Capable Monitor



SHOWN WITH OPTIONAL STAND

KEY FEATURES

- 37" Widescreen LCD Monitor
- 1366 x 768 Resolution (WXGA)
- 16:9 Aspect Ratio
- 178 degree viewing angle (S-IPS)
Super IPS Technology allows for distortion-free viewing from almost any angle
- 500 cd/m² Brightness
- 8ms response time
- 1600:1 Contrast Ratio
- HDMI™ / Composite (BNC) / Component (BNC) and S-Video inputs
- Tile Mode : 4 x 4 available multiplying the size of display
- Temperature and Lamp Fault Sensor



SPECIFICATIONS

PANEL		CABINET	
Screen Size	37 inch Widescreen TFT (Thin Film Transistor) - LCD (Liquid Crystal Display) Panel	Front Color	Black
Panel Type(TN,IPS)	S-IPS	Rear Color	Black with Silver removable rear cover
Aspect Ratio	16:9	Monitor Dimensions (W x H x D) (Head Only)	36.54 inches x 22.49 inches x 4.43 inches
Native Resolution	1366x768	Weight (Head Only)	67.16 lbs
Brightness	500 cd/m ²	Carton Dimensions (W x H x D)	41.97 inches x 32.76 inches x 14.18 inches
Contrast Ratio	1600:1	Packed Weight	80.16 lbs
Response Time	8 ms	Kensington Lock	Yes
Viewing Angle	178 / 178	AUDIO FEATURES	
MTBF	50,000 Hrs	Max Audio output	20Watt (10W x 2EA)
Color Depth	16.7 Million (8bits)	Audio	Built-in AMP, Equalizer, Auto Volume Limiter, Balance, Speaker on/off
Pixel Pitch	0.600 x 0.600	SSM	Surround Max, Flat, Music, Movie, Sports, User
Lamp Quantity	16 CCFL	SPECIAL FEATURES	
Surface Treatment	AG (3H)	XD Engine™	Yes
VIDEO		XD Demo	Yes (Not Available in RBG PC/HDMI/DVI PC Mode)
Max Input Resolution	768p	Pb Free	Yes
H-Scanning Frequency	RGB : 30 - 83 kHz; HDMI/DVI : 30 - 72 kHz	DDC/CI	Yes
V-Scanning Frequency	56 - 85 Hz	Intelligent Auto (Auto Resolution)	Yes
Synchronization Type	Separate/Composite/SOG (Sync On Green)/Digital	Tile Mode	Yes, Max 4x4
INPUTS AND OUTPUTS		Temperature Sensor	Yes
15 Pin D-Sub	RGB In / RGB Out	Lamp Fault Sensor	Yes
HDMI™(digital) with HDCP	1 In / DVI (through HDMI™ to DVI adapter - not included)	LG Logo Light	off / on selectable
S-Video	1 In	ISM Method	Normal, Orbiter, Inversion, White Wash
Component	2 Component In (1080i) BNC with audio	PSM	Dynamic, Standard, Mild, User 1, 2
Composite	1 in / 1 out(BNC) with audio	CSM	Warm, Normal, Cool, User
PC Audio Input	Yes	CERTIFICATIONS	
RS-232C	RS-232C In / RS-232C Out	UL(cUL)	Yes
Remote Control input	Yes / IR Jack	TUV-GS	Yes
CONTROL		SEMKO	Yes
Key Number	8	FCC-B, CE	Yes
Key Location	Right Bottom	VESA™ Mounting	Yes(600 x 400)
Key Type	Tact Switch	CB scheme	Yes
LED color	Amber-off/Green-on	VCCI	Yes
OSD Language	English,French,German,Italian,Spanish, Portuguese,Korean	GOST	Yes
POWER		MIC	Yes
Power Supply	Internal	ACCESSORIES	
Rated Voltage	AC 100-240V~ 50/60Hz 2.0A	Remote Control/AAABatteries(2)	
On Mode	180W	User's Guide/Driver CD-Rom/Warranty Card	
DPM Off	1W	15-pin D-Sub Signal Cable	
Off Mode	1W	Power Cable	
Sleep Mode	≤1W (RGB) / 4W(HDMI/DVI)	Audio Cable (PC)	
ENVIRONMENTAL CONDITIONS		RCA-PC Audio Cable	
Operational Condition Temperature	Temperature: 50°F ~ 95°F, 10°C ~ 35°C , Humidity: 10% ~ 80%	OPTIONAL ACCESSORIES	
Storage Condition	Temperature: -4°F ~ 140°F, -20°C ~ 60°C , Humidity: 5% ~ 95%	Detachable Speakers (SP3700K)	Black
UPC CODE		Speaker Dimensions(W x H x D)	4.95 inches x 22.49 inches x 2.89 inches
719192182523		Weight	2.56 lbs
		Removable Stand (ST3700K)	Black/Silver
		Stand Dimensions(W x H x D)	26.40 inches x 5.00 inches x 7.50 inches
		Weight	6.86 lbs
		WARRANTY (PARTS/LABOR)	
		3 years	

REAR JACK PANEL

