

42" CLASS (42.0" DIAGONAL)

M4213CCBA

LCD
MONITOR

LCD Widescreen HD Capable Monitor



NATIVE DISPLAY RESOLUTION
1366 x 768 (WXGA)

HIGH BRIGHTNESS
500 cd/m²

CONTRAST RATIO
3000:1 (DCR)

Super IPS
178° Viewing Angle

VIEWING ANGLE and LIFE EXPECTANCY
Enhanced in Portrait and Landscape Mode

NARROW BEZEL
33mm

NEW! RJ-45 LAN CONTROL

HDMI™ WITH HDCP

RS-232C CONTROL

CONVENIENT EXTERNAL SPEAKER-OUT



ENERGY STAR® 5.0 COMPLIANT

INFORMATION DISPLAY FOR SERIAL NUMBER

SPLIT ZOOM (self video wall)
Up to 5 x 5 matrix - adjusts for bezel width

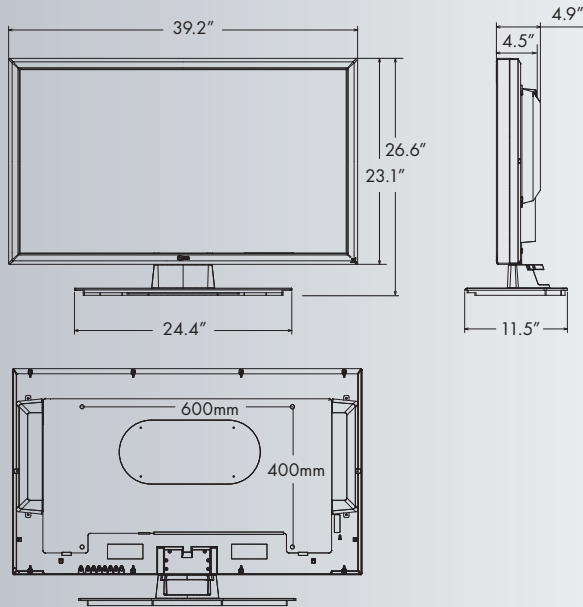
OPTIONAL HIDDEN SPEAKERS

3-YEAR LIMITED WARRANTY
parts/labor

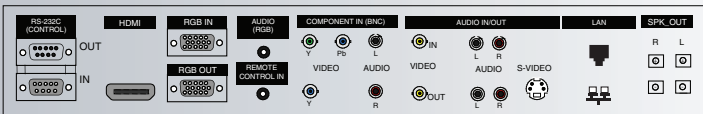
www.LGcommercial.com



LG
Life's Good



Rear Jack Pack Panel

**PANEL**

LCD Panel Type	42"
Display Area	42.0" diagonal
Aspect Ratio	16 : 9
Native Resolution	1366 x 768 (WXGA)
Pixels (H x V x 3)	3,147,264
Brightness	500 cd/m ²
Contrast Ratio	3,000:1 (DCR)
Viewing Angle (H x V)	178° x 178°
Color Depth	16.7 Million
Response Time	9ms (G to G)
Surface Treatment	Hard Coating (3H) Anti-glare
MTBF	50,000 Hr. (Minimum) Portrait & Landscape

VIDEO

Max Input Resolution	1600 x 1200 @ 60Hz (RGB) 1920 x 1080 @ 60Hz (HDMI)
Recommended Resolution	1360 x 768 @ 60Hz (RGB, HDMI)
H-Scanning Frequency	30 ~ 83kHz (RGB, HDMI)
V-Scanning Frequency	56 ~ 75 Hz (RGB), 60 Hz (HDMI)
Pixel Frequency	162 MHz (RGB), 148.5 MHz (HDMI)
Sync Compatibility	Separate/Composite/Digital
Video Input	RGB (Analog)/HDMI (Digital)
Picture mode	Vivid/Standard/Cinema/Sports/Game/ User1/User2
Color temperature	Warm/Medium/Cool/User

REAR INPUTS

Component Video	1 Hi-Res
PC Input via 15-Pin Sub "D"	1 / 1
Composite Video Input/Output	1 / 1
Audio Output	1

Audio Inputs	3 Plus PC Sound
HDTV Formats	Component : 720p/1080i HDMI : 720p/1080i/1080p
PC Formats	Auto Scaling to XGA
HDMI with HDCP	Yes
RS-232C Input/Output	1 / 1
RJ-45 Lan Control	1
S-Video	1 (S-Video has a priority but there is no input mode)
Audio Jack Built-in (No Amp)	Yes
Discrete IR Input	Yes
External Speaker Out	Yes

AUDIO

Auto Volume	Yes
Balance	Yes
Audio Power	20W (10W x 2)
Speaker On/Off	Yes
Sound mode	Clear Voice/Standard/Music/Cinema/ Sports/Game/User

SPECIAL FEATURES

Temperature Sensor	Yes
Split Zoom (Self Video Wall, Max 5 x 5)	Yes (Supports Natural Mode)
Source Selection	Digital (HDMI)/Analog (RGB)/ Component/AV
Brightness/Contrast	Yes
Color	Warm/Medium/Cool/User Control (R/G/B)
Position	H/V
Tracking	Auto/Clock/Phase
Set-up	Language(English/French/Spanish/Italian/ German/Portuguese/Korean/Japanese/Chinese/ Russian)
ISM Method	Normal/White Wash/Orbiter/Inversion/ Dot Wash
Advanced	Gamma/Film mode/Black Level/ Noise Reduction
Time	Clock/On/Off Timer/Auto Sleep/ Power On Delay
Information display	Serial Number, SET ID, S/W Version
Mute	Yes
Sleep Timer	Yes
Auto Power/Source Memory	Yes
Key Lock	Yes
DPM Select	Yes

CABINET

Color	Black
Monitor Dimension (W×H×D)	39.2" x 23.1" x 4.5"
Bezel Width	33mm
Monitor Weight (W×H×D)	46.7 lbs
Monitor Dimension w/opt. stand (W×H×D)	39.2" x 26.6" x 11.5"
Weight w/opt. stand	54.0 lbs
Weight w/opt. stand and opt. speakers	55.7 lbs
Packaging Dimensions (W×H×D)	44.1" x 26.0" x 11.2"
Packed Weight	55.6 lbs
VESA™ Standard Mount Interface	600mm x 400mm

POWER

Power Supply	100-240V~, 50/60Hz
Power Type	Built-in Power
Power Switch Type	Tact Switch
Power Saving	
Normal	220 W
Stand-by/Suspend	1W (RGB)/4W (HDMI)
DPM Off	1W (RGB)/4W (HDMI)
Switch Off	1W

STANDARD (CERTIFICATIONS)

Safety	UL/c-UL/CB scheme/TUV/NEMKO
EMC	FCC Class "B"/VCCI/C-tick/GOST/ CE/ MIC

Energy Efficiency	Energy Star 5.0
-------------------	-----------------

UPC	7 19192 18594 4
-----	-----------------

SERVICE/LIMITED WARRANTY	3 Years (parts/labor)
--------------------------	-----------------------

OPTIONAL ACCESSORIES

Hidden Speakers (SP0000K)	Black
Speaker Dimensions (W x H x D)	1.6" x 12.9" x 2.2"
Speaker Weight (each)	0.8 lbs
Packaging Dimensions (W x H x D)	15.1" x 5.3" x 6.9"
Packed Weight	2.4 lbs (2 Speakers/1 Package)
ST4210K (Stand)	Fits M4213CCBA
Stand Dimensions (W x H x D)	24.4" x 6.2" x 11.5"
Weight	7.9 lbs



All screen images are simulated. Dimensions and weights are approximate. Design, specifications, and features subject to change without notice. *HDTV monitors require an optional set-top-box to receive high-definition broadcast.

© Copyright 2009 LG Electronics USA, Inc. All Rights Reserved. "LG Life's Good" is a registered trademark of LG Corp.

ENERGY STAR is a registered trademark of the U.S. Environmental Protection Agency. In Plane Switching is a trademark of LG Philips LCD Ltd. VESA is a trademark of Video Electronics Standards Association. HDMI, the HDMI logo and High-Definition Multimedia Interface are trademarks or registered trademarks of HDMI Licensing LLC. All other product and brand names are trademarks or registered trademarks of their respective companies.

Printed in the USA. November 2009

www.LGcommercial.com

LG Electronics U.S.A., Inc.
Business Solutions Division
2000 Millbrook Drive
Lincolnshire, IL 60069

Customer Service: 888.865.3026

Contact your LG Regional Sales Representative:
Enterprise: 800.897.8788
Channel: 800.897.8871
Hospitality: 800.228.1236
E-mail: LGcommercial@lge.com

SPEC_M4213CCBA_110913_PR



LG
Life's Good