

LucidiumFX5

NVU65FX5 65" 1080P Deep Black LCD Display



65" DIAGONAL DEEP COLOR SPECTRUM DEEP BLACK LCD

TRUE 10-BIT / 1.07 BILLION COLOR SIGNAL PROCESSING

FULL HD 1080P 1920X1080 RESOLUTION

TRUE 120HZ PROCESSING



True 120Hz. That was the goal of the Lucidium FX5 series. The result is astonishing, unprecedented, fast motion video. A 120Hz panel is paired with our exclusive NiDO IV – FX5 video processor making the Lucidium FX5 series one of the most advanced 1080p Displays on the market.

NuVision's Lucidium FX5 series, featuring True 120Hz Video, Frame Forward Motion (FFM), Frame Times Five (FX5) technology, and 10 bit color depth all combine for unsurpassed picture color and clarity.

Functionality

The Lucidium FX5 is surprisingly easy to operate, yet features a range of professional settings which allow you to optimize the display for every input. These include:

- Selectable color temperature by input/scan rate
- Independent RGB offset adjustment and gamma control
- 4-level adaptive noise reduction settings
- White peak/black level setting
- Contrast enhancement
- Adjustable backlight / black level modes

NiDO IV – FX5 Video Processing

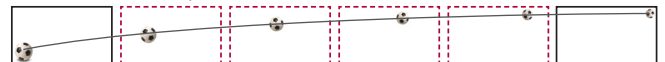
NuVision FX5 displays feature unique NiDO IV – FX5 video processing algorithms that fully utilize the capabilities of the NuVision 120Hz DCS Deep Black LCD panel. These NiDO optimized processing technologies include:

- NiDO IV enhanced video processing
- Signal compatible with 1080p/60 and 1080p/24fps
- FX5 True 120Hz Video Processing
- 1080i to 1080p four-field de-interlacing
- Motion adaptive noise reduction
- Pixel-by-Pixel detail enhancement
- Automatic Film Mode Cadence Processing
- HD/SD Multi-Direction Diagonal Filter

Frame Forward Motion

NuVision Deep Black LCD panels feature extremely fast response times, as low as 5ms. FFM takes this a step further by creating additional interpolated frames, creating breathtakingly clear fast motion sports and action.

FFM 1080P/24 – 4 Interpolated Frames



FFM 1080P/60 – Every Other Frame is Interpolated



□ Original Frames □ New Frames

NuVision Warranty and Customer Support

This NuVision TV is backed by a 2 year warranty which covers parts, labor and the LCD. To ensure consumers receive the best support with the best home set-up and installation options, NuVision products are sold and warranted only through a network of NuVision authorized specialty retailers.



HDMI and the HDMI logo are registered trademarks of HDMI Licensing LLC. NiDO, DCS, and NuControl are trademark/copyright NuVision US, Inc.

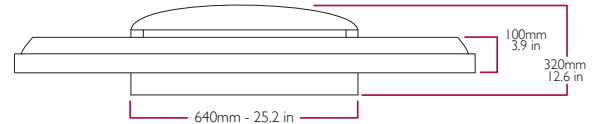
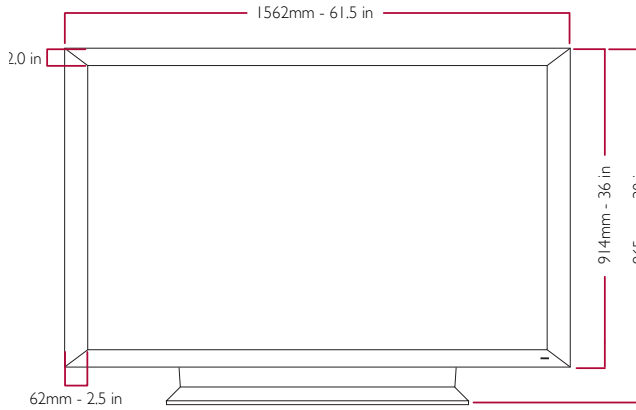
NUVISION
THE FLATSCREEN CONNOISSEUR

NuVision NVU65FX5 Deep Black 1080P LCD Display

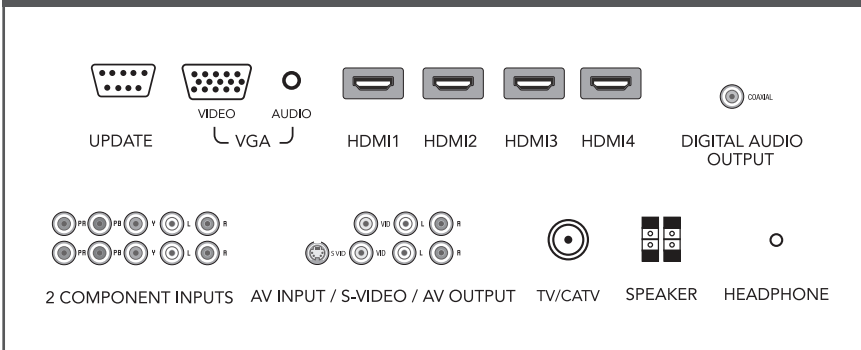
Description	Specifications
DISPLAY SYSTEM	
Display Type	120Hz 1080p Deep Black LCD
Aspect Ratio	16:9 Widescreen
Deep Color Spectrum	Yes
Native Resolution (H x V)	1920 x 1080
VIDEO PROCESSING SYSTEM	
Processor / Format Conversion	NiDO IV Full 10-Bit
NuColor x.v.	Yes
Frame x 5 (FX5)	Yes
Frame Forward Motion	Yes
Digital Switching Deep Black	Yes
Deep Color Spectrum	Yes
Noise Reduction	Motion Adaptive, User Selectable
Signal Compatibility	480i, 480p, 576i, 576p, 720p, 1080i, 1080p@24/60Hz
Film Cadence Detection	Automatic 3:2, 2:2, 5:5
Edge Correction	Yes
USER INTERFACE	
Format Control - Direct Remote Access	4:3, Panorama, Zoom, 16:9 and 1:1
Color Temperature	4, selectable by Input
Video Modes by Input	Vivid/Sports/Movie/Normal/Custom
Image Freeze	Yes
Picture in Picture & Picture by Picture	Yes
Backlight Adjustment	Day / Night - User Adjustable
CONVENIENCE FEATURES	
Input Labeling	Yes
Sleep/Wakeup Timer	Yes
OSD Language	English, French, Spanish, Portugese
BEZEL	
Finish	Brushed Aluminum

Description	Specifications
AUDIO	
Output Power	10W x 2
Lip Sync	User Adjustable
Digital Output	Dolby Surround + Stereo PCM
Stereo Output	ON / OFF
ANALOG AV INPUTS/OUTPUTS	
Component Video	2 x RCA, rear
S-Video	1 x Rear, NuControl Card
Composite Video	2 x RCA, rear
PC Input	D-sub 15, Rear
Audio Output	Stereo Rear
DIGITAL AV INPUTS / OUTPUTS	
HDMI 1.3 (1080p 24/60)	4 x Rear
Digital Audio Output	1 x Coaxial (Dolby Digital + PCM)
NuControl - INTEGRATION FEATURES	
NuControl Card	IR Pass Through / Input (with and without carrier), RS232C (Bi-Directional, w/ polling), Discrete IR Input / Format / On / Off Codes
REMOTE	
Remote Control	Backlit Illuminated
SPECIFICATIONS	
Power	AC 100-240V, 50/60Hz
Power Consumption / Standby	TBD / < 3W
Wall Mount	600 x 440mm
Net Weight / Weight with stand	143.3 lbs / TBD lbs
UPDATES	
Service Port	9-pin serial connection for firmware updates

DETAILED DIMENSIONS



CONNECTIONS



NuControl Card



*All specifications are subject to change without notice. **All inputs not shown according to location on TV ***Audio only available using Composite or S-Video † Optional Items