



50" Plasma HDTV
P50W38P

Shown with Optional Stand Accessory

P50W38P 50" Plasma HDTV Monitor Display

DCDiTM
by FAROUDJA

HIGH-DEFINITION TELEVISION
HDTV
MONITOR

1366 x 768p Resolution

High resolution format produces extremely detailed imagery

Improved! 1000:1 High Contrast Ratio

Extremely sharp contrast between light and dark images

Vertical Display Mode

Improved! 1000 cd/m² High Brightness

Renders an incredibly bright picture, even in well-lit areas

Image Sticking Minimization, Pixel Orbitor, White Wash, and Inversion Features reduce phosphor burn and prolong the life of the plasma

DVI with HDCP

Aspect Ratio Correction

Intelligent Image Scaling
O-Plus (Rembrandt) video processor

RS-232 Control and Discrete IR Controls

Faroudja DCDi

Video de-interlacing and line doubling

Other Model Available
P50W38H High Altitude

zenith 



P50W38P 50" Plasma HDTV Monitor Display

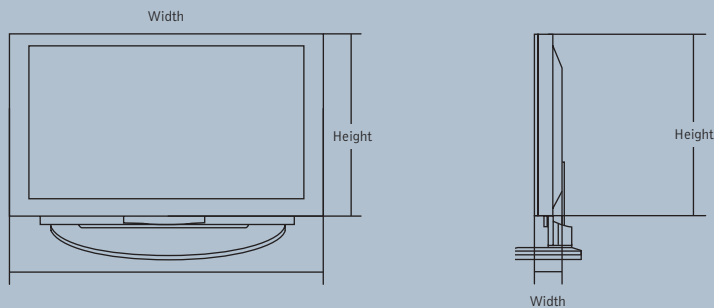
P50W38H High Altitude



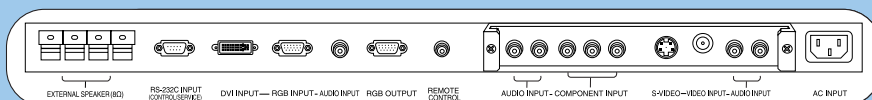
DIMENSIONS

Front View with Base

Side View with Base



REAR JACK PANEL



JACK PACK

Hi-Res Component Video	1
Audio Left/Right In/Loop Out	2
Composite In	1
RGB In (15-Pin Type-D Connector)/Out	1/1
S-Video In	1
RS-232c (9-Pin Connector)	1
DVI with HDCP	1
IR Jack	1

DIMENSIONS

Cabinet (W x H x D)	48.15" x 28.9" x 4.1"
Weight	98.1 Lbs.

CABINET DESCRIPTION

Finish	Silver
Cabinet Style	Slim Frame
Power Consumption	560W
Power Source	120v 60Hz

VIDEO ENHANCEMENTS

Screen Size	50"
Flat	Yes
Resolution Display	1366 x 768p
Pixel Pitch	0.270 (H) x .810 (V)
Aspect Ratio	16:9, 4:3 Zoom
Brightness	1000 cd/m ²
Contrast Ratio	1000:1
Viewing Angle	160°
Format Conversion	Intelligent Image Scanning
Aspect Ratio Correction	Yes
Scan Converter	0-Plus (Rembrandt)
Contrast	Yes
Brightness/Sharpness	Yes
Tint	Yes
Video De-Interlacing/Line Doubling	Faroudja DCDi

DISPLAY

Display Frequency	15.73 to 68kHz (H), 50 to 120Hz (V)
Displayable Colors	16.77M
Color Gradation Filter	Yes
Input Signal	NTSC, HD, VGA, SVGA, XGA, SXGA
Display Modes	Normal, Wide, Zoom
Side Panels (Gray Bars for 4:3 Display)	Yes

AUDIO ENHANCEMENTS

Mono/Stereo/MTS/SAP	Mono/Stereo
Bass/Treble/Balance	Yes
Total Audio (Watts) Output	20W (2 x 10W)
Speaker Size (Dimensions)	135mm/964mm/99mm

SPECIAL FEATURES

Acoustic Noise Reduction	Yes
Picture In Picture (PIP)	Yes, Split Screen, Zoom
Multilingual Menus	English/Spanish/French/ Portuguese/Korean
1 Level Mute	Yes
Shock Absorbing Glass Damper	Yes, Tilt to 20°
Image Sticking Minimization	Yes
Pixel Orbitor	Yes
White Wash	Yes
Inversion	Yes
RS-232 Control	Yes
Discrete IR Controls	Yes
Detachable AV Terminal	Yes
Digital RGB (DVI)	Yes
White Balance Adjustment	Yes
Display Mode Change (Vertical)	Yes (P50W38P only)
Auto-Power On	Yes
Discrete Power Off	Yes
Last Source On	Yes
Orbital Function	Yes

OUTPUT RESOLUTIONS

NTSC, VGA, SVGA, XGA, SXGA	1366 x 768p
HDTV	1366 x 768p

OPERATING ENVIRONMENTS

Storage Temperature Range	-20°C – 60°C
Storage Humidity Range	<85%
Altitude	0 – 2,000m (P50W38P) 0 – 2,700m (P50W38H)
Operating Temperature	0°C – 40°C & <80% Humidity

REQUIRED APPROVALS

UL, C-UL, NOM	UL, C-UL, FCC (B)
---------------	-------------------

SERVICE/LIMITED WARRANTY

Warranty: Parts/Labor	1 Year/1 Year
MTBF (Approx.)	30K Hours
Customer Service	1-888-865-3026

ACCESSORIES (SUPPLIED)

15-Wire RGB Cable	Yes
Remote Control	SC3250
Power Cord	Yes – 6 Feet
DVI Cable	Yes

ACCESSORIES (OPTIONAL)

Desktop Stand (P50WTS) (W x H x D)	40.80" x 12.00" x 13.80"
Weight	27.6 Lbs.
Speaker (P50WSP) (W x H x D) each	4.7" x 28.9" x 3.5"
Weight	5.1 Lbs.
Speaker Stand (P50WSS) (W x H x D)	10.31" x 6.59" x 10.59"
Weight	1.6 Lbs.
Wall Mount	PWMT200

Zenith Electronics Corporation

2000 Millbrook Drive, Lincolnshire, IL 60069
Web: www.zenith.com

Dimensions and weights are approximate. Design and specifications subject to change without notice.

The lightning bolt 'Z' and Resolution Revolution are trademarks of Zenith Electronics Corporation. ©2003 Zenith Electronics Corporation. Printed in the USA. Z50380903

