

An experience like never before requires an uncompromising attention to detail. Introducing the revolutionary new line of Pioneer® plasma televisions, designed to bring sight and sound together in the most extraordinary, beautiful and amazing of ways.

- High-Definition Resolution (1365 x 768)
- 50" Diagonal / 16:9 Wide-Screen Aspect Ratio
- Deep, Intense Blacks for Unmatched Contrast
- Home Gallery for Viewing Photos
- TV Guide On Screen® with DCR
- 4 Independent HDMI® Inputs
- Anti-glare / Reflective Filter
- Subwoofer Output



Simulated Screen

PLASMA TECHNOLOGY

- › **New** cell structure with improved crystal emissive layer redesigned for a more intense black with added detail
- › **New** filter with enhanced contrast in bright environments
- › **New** ASIC video processing and scaling for the ultimate in Standard-Definition and High-Definition video performance
- › **Newly** designed integrated speaker with digital amplifier for improved clarity and accuracy of sound

PLASMA FEATURES

- › **New** Optimum Video Mode with optical light sensor for automated adjustment of picture in both varying light conditions and by program content such as movies, news, sports, etc.
- › **New** Smooth Film Motion mode to eliminate motion jitter in 3:2 Pulldown (60Hz) providing natural even playback of content created from film
- › **New** 4 Independent HDMI 1.3 inputs with HDMI-CEC control and the ability to accept 1080p 24/60Hz signal
- › **New** Room Light Sensor (Off / On)
- › Advanced PureCinema with 3:3 Pulldown (72Hz) for accurate playback of film content
- › Fully integrated ATSC and Dual NTSC Tuners and built-in CableCARD™ Slot
- › Home Gallery - offering a convenient way to view photos via USB connection
- › V-Chip Parental Control
- › TV Guide On Screen Interactive Program Guide (ver. 9)
- › Remote Control - Glow in the dark / Preset Mode

PICTURE SETTINGS

- › A/V Selection Memory - 6 options for viewing preferences: **Optimum** / Dynamic / Standard / Movie / Game / User (PC input: only Standard & User)
- › Aspect Ratio Control - 6 positions: Wide / Zoom / Cinema / Full / 4:3 / "Dot by Dot" for PC
- › Advanced Picture-in-Picture (4 positions), Picture-side-Picture (3 positions) and Still Picture capability
- › After-Image Reduction Function
 - Seamless Orbiter (Off / On)
 - Auto Size (Off/ Natural / Wide-Zoom)
 - Side Mask Detection (Off / On)
 - Side Mask Brightness (Fixed / Auto)
 - Video Pattern (White Bar)
 - Game Control Preference (AV Selection only) (Off / On)

VIDEO PROCESSING TECHNOLOGY

- › Picture Detail Settings - DRE Picture (Off / High / Mid / Low), Black Level (Off / On), ACL (Off / On), Enhance Mode (1 / 2 / 3) and Gamma (1 / 2 / 3)
- › Color Temperature Adjustment - 3 settings (High / Mid / Low)
- › 3 Digital Noise Reduction - 3 settings (High / Mid / Low)
- › Field Noise Reduction (Off / High / Mid / Low)
- › Block Noise Reduction
- › Mosquito Noise Reduction
- › Tuner Noise Reduction (Off / On for each channel)
- › Digital CTI - Color Transient Improver (On / Off)

Pioneer

PDP-5080HD

50-INCH HIGH-DEFINITION FLAT PANEL TELEVISION

VIDEO & AUDIO CONNECTIVITY

› Inputs

- 4 Independent HDMI 1.3 [4 video (4 w/PC, 2 w/audio)]
- 2 Component
- 3 Composite
- 1 S-Video
- Antenna A & B
- USB (Mass Storage Class)
- PC

› Outputs

- Optical Digital Audio (Dolby Digital/PCM)
- Audio
- Monitor Out - Composite/Audio LR
- Subwoofer
- SR+
- Headphone

SOUND TECHNOLOGY

- › **New** 17 Watt Stereo Digital Amplifier w/TruBass 2-Way Stereo Speakers
- › SRS® WOW / FOCUS / TruBass Surround Sound Audio

UPC

- › 012562864877

INTEGRATED TECHNOLOGIES

HDMI™
HIGH DEFINITION MULTIMEDIA INTERFACE

HDTV
HIGH DEFINITION TELEVISION

SRS®
WOW

CableCARD™

HOME
GALLERY

DOLBY
DIGITAL

DCR

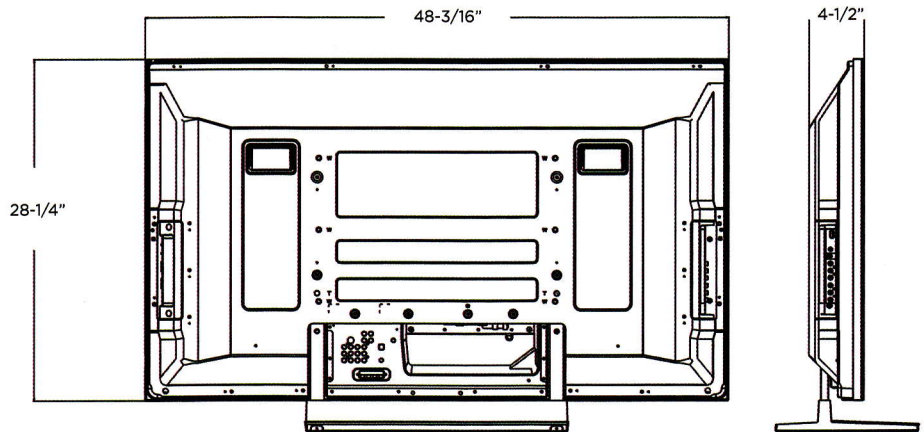
CARTON DIMENSIONS

- › (W x H x D): 53" x 38-1/8" x 20"
- › Weight: 110.23 lbs

PRODUCT DIMENSIONS

- › Panel (W x H x D): 48-3/16" x 28-1/4" x 4-1/2"
- › Panel w/speakers (W x H x D): 48-1/4" x 33-1/2" x 4-1/2"
- › Panel Weight: 76.7 lbs
- › Panel Weight (w/bottom speaker & stand): 92.3 lbs

Specifications and design subject to modification without notice.



The TV Guide On Screen interactive program guide provides listings for cable-ready, cable box, and digital cable services as well as over-the-air broadcast. It does not provide listings for satellite. High-Definition Television (HDTV): HDTV refers to a complete product/system with the following minimum performance attributes:

Receiver: Receives ATSC terrestrial digital transmissions and decodes all ATSC Table 3 video formats.

Display Scanning Format: Has active vertical scanning lines of 720 progressive (720p), 1080 interlaced (1080i) or higher.

Aspect Ratio: Capable of displaying a 16:9 image.

Audio: Receives and reproduces, and/or outputs Dolby Digital audio (Consumer Electronics Association, August 2000).

Plasma Display Systems display images consisting of hundreds of thousands of minute pixels (light emitting cells), and there is a possibility that some pixels may be inactive, flashing or continually illuminated.

Plasma Display Systems are made of glass; be sure to secure it from damage from impact.

Plasma Display Systems, while in use, may generate some functional sounds, for example: fan motor noise, and electrical circuit humming/glass panel buzzing.

All phosphor-based display systems (CRT Television Systems—both direct view and projection televisions—as well as plasma display systems) may develop image retention, sometimes called burn-in if permanent. Recommended guidelines are as follows:

Do not display still images for long periods (such as fixed images from PC or TV game equipment, and/or time of day indicator or channel logo display).

Do not display content in the 4:3 aspect ratio (black or gray bars on left and right side of content) or letter-box content (black bars above and below of content) for extended periods of time, or use either of these viewing modes repeatedly within a short period of time. This Plasma Display System is equipped with multiple wide-screen viewing modes; use one of these screen modes to fill the entire screen with content.

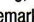
Displaying dark images after displaying still images for a period of time may cause image retention. In most cases, the image retention can be corrected by displaying bright images for a similar period of time. However, if your Plasma Display System displays still images for additional long periods of time, image retention may be irreparable.

Plasma Display Systems emit slight amounts of IR (Infrared) emission through luminous discharge technology. This IR emission is not harmful to living organisms, but may interfere with the operation of remote controls for other equipment, or cause static in equipment using IR signals (such as cordless headphones or cordless microphones).

PIONEER and the Pioneer logo are registered trademarks of Pioneer Corporation.

CableCARD™ is a trademark of Cable Television Laboratories, Inc.

HDMI and the HDMI logo are registered trademarks of HDMI Licensing, LLC.

SRS WOW, SRS, TruBass and FOCUS and the  symbol are trademarks of SRS Labs, Inc.

In the United States, TV Guide and other related marks are registered marks of Gemstar-TV Guide International, Inc. and/or one of its affiliates.

Dolby and the double-D symbol are registered trademarks of Dolby Laboratories.