



angle view, with optional base



Frontal view, with optional speakers



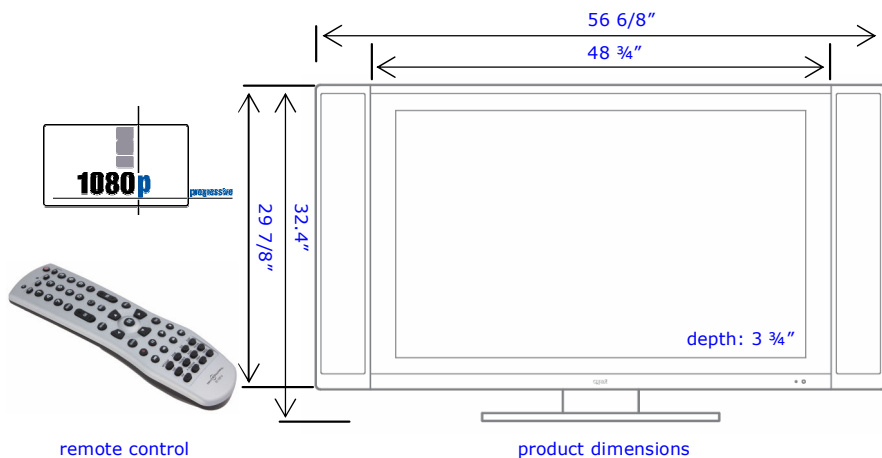
side view

frontal and back view, with optional pedestal and under speaker attached

PLEASE NOTE: CONTRACTOR SERIES products are display panel ONLY. Speaker and pedestal base are optional accessories that must be ordered separately.

Stereo speaker system: d:4717SSP  
Pedestal base: d:4717PB

UPC: 872152000845  
UPC: 872152001002



remote control

product dimensions

precision engineered – designed in Tokyo, Japan – factory direct for maximum value



byd:sign  
worldwide



In our progressive search for continued technical and design excellence, we continually modify the look and performance of our products. Therefore, specifications and features are subject to change without notice.

copyright – the bydsign company worldwide, all rights reserved

# d:4742DII

## PRO CONTRACTOR SERIES

Approaching the size of the dominant 50" plasma, the new bydsign 47" 1080P LCDTV poses a real threat to unseat 50" PDP as the mainstay of the commercial display industry. 47" has the surface area and superb quality of 50", but with far lower power consumption and with fewer of the annoying issues that PDP can face when installed in a 24/7 commercial application. LCD runs cooler, lasts longer and consumes less power. Also, in high altitude locations, LCD has no hum or atmospheric and temp variation issues like plasma. Move over PDP; large size LCD is here, and bydsign contractor series is what you're looking for in a performance big screen LCD . . . bydsign.

### specification:

type:	<b>CMO</b> liquid crystal display (LCD)
display:	47" measured diagonally
video chipset:	<b>PIXELWORKS</b> PW2010/328
aspect ratio:	16:9 widescreen
resolution:	1920x1080 (UWXGA) 1080p
pixel pitch:	.0543mm X .0543mm
brightness:	600 (nit) cd/m <sup>2</sup>
contrast:	1000:1
viewing angle:	176 degree
response time:	8 ms
TV tuner:	NTSC/M, ATSC, Clear QAM
audio:	10 watts, SRS detachable speaker system
terminals:	(2) composite video (1) S-Video (1) VGA D-SUB (1) HDMI (2) component (Y,Pb/Cb,Pr/Cr) (1) audio/video out (1) stereo headphone
other:	supports CCD and V-Chip, sleep timer, full function remote control, PIP (VOG), 3:2, 2:2 pull down, tilt pedestal base.

### technical:

power supply:	AC 100 – 240v, 50/60hz
power cons.:	maximum 300 watts
standby cons.:	<2 watt
wall mount:	VESA standard
regulatory:	FCC-B, UL 1950, Canadian ICES 003-B, EPA, CSA, C22.2 no.950

### shipping and packaging:

net weight:	152.1 lb/69 kg
gross weight:	125.7 lb/57 kg
package dim:	53.9" X 15.0" X 36.5" 1369mm X 381 mm X 928mm

container loading:  
20' (50pcs), 40' (100pcs)

US headquarters: 2279 North Rampart Boulevard  
Las Vegas, NV. 89128 (702) 228-7711  
visit us at: [www.bydsign.com](http://www.bydsign.com)

US and Canadian version d:4742DII 47" precision HD LCD digital television