

# NEC E Series

32", 42", 46" & 55" commercial-grade LCD displays ideal for corporate and digital signage applications

**Feature-rich affordability.** The NEC E Series, featuring the 32" E321, 42" E421, 46" E461 and 55" E551, brings corporate and digital signage users the professional performance and looks of the latest large-screen displays in a flexible and affordable solution. These models give corporate users a value-driven option for lobbies, boardrooms and small conference rooms, while addressing the display needs of digital signage users in retail stores, waiting rooms and health clubs.

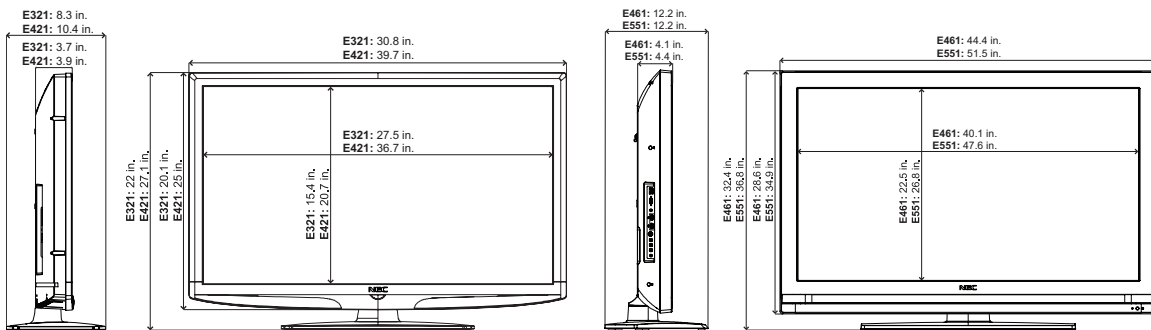
**Experience high-definition brilliance.** Whether you're using E Series displays to run digital signage messaging or music videos for the treadmill crowd, their screen performance will leave no head unturned. A remarkable 1920 x 1080 resolution, 450 cd/m<sup>2</sup> brightness and up to 5000:1 contrast ratio add amazing detail to video, images and text, while the integrated HD tuner makes high-definition sports and network programs jump off the screen with out-of-this-world clarity. The E461 and E551's 120 Hz refresh rate is twice as fast as most comparable displays, reducing blur typically seen in fast-moving images and producing more lifelike viewing. These displays' 10-bit color expands the amount of visible colors to approximately 1.07 billion for more vivid and crisp color representation.



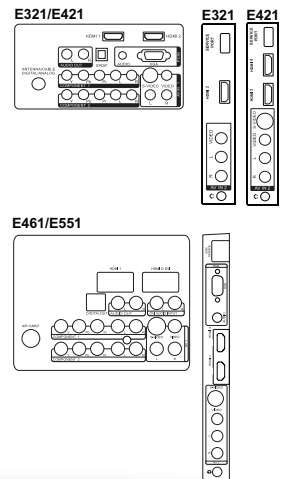
- ❑ **High-definition resolution (up to 1920 x 1080)** provides stunning detail for video and broadcast applications
- ❑ **High static contrast ratio (up to 5000:1)** helps create eye-catching images and crisp, easy-to-read text
- ❑ **Low power consumption** contributes to a lower total cost of ownership
- ❑ **Extensive connectivity** with multiple HDMI input terminals, analog RGB, S-video and composite video
- ❑ **Built-in NTSC/ATSC (8-VSB, Clear-QAM) analog/digital tuner** allows for high-definition broadcast capabilities
- ❑ **Built-in, low-profile stereo speakers** enhance the experience with superior sound
- ❑ **120 Hz refresh rate** reduces the blur seen in fast-moving images of typical 60 Hz displays (E461, E551)
- ❑ **10-bit color** delivers more vivid and crisp color representation through the expansion to a wider color gamut (E461, E551)
- ❑ **Speaker management** includes equalizer adjustment (for E321, E421) and CONEQ™ sound adjustments (for E461, E551)
- ❑ **Built-in swivel stand** expands your viewing options and detaches for wall mount applications
- ❑ **Multiple picture modes** adjust the picture appearance for an optimal viewing experience
- ❑ **Advanced video settings** ensure source material is displayed properly and accurately
- ❑ **Backlight adjust** allows users to customize the backlight strength, enabling longer display life and lower power consumption
- ❑ **Parental control (V-Chip function)** allows users to block programs based on rating category
- ❑ **Built-in closed captioning** enables hearing-impaired users to display text information in various supported languages based on the ATSC tuner program
- ❑ **Controllable closed captioning for analog and digital signals** allows the user to manipulate the size, font, color, opacity, background color and edge effect
- ❑ **Input labeling** allows users to assign labels to various inputs within the on-screen display (OSD®)
- ❑ **Variable transparency settings and multiple menu language choices (English, French, Spanish)** provide flexibility in adjusting OSD settings
- ❑ **Variable time zone settings** allows users to adjust the time on their display by time zone and includes a built-in daylight savings mode
- ❑ **Control settings** allow users to lock outside buttons, block unrated TV, and set USA and Canadian parental locks
- ❑ **Channel band selection** provides enhanced "over the air" and cable signal tuning
- ❑ **Auto channel search** saves users time in manually programming the display with available channels

# Specifications for E321/E421/E461/E551

MODEL	E321	E421	E461	E551
<b>LCD MODULE</b>				
Viewable Size (Diagonal)	32"	42"	46"	55"
Panel Technology	PVA		MVA	
Native Resolution	1366 x 768		1920 x 1080	
Pixel Pitch	0.51mm	0.48mm	0.53mm	0.63mm
Brightness (Typical)	450 cd/m <sup>2</sup>			
Contrast Ratio (Typical)	2000:1	4000:1	5000:1	4000:1
Active Screen Area (W x H)	27.5 x 15.4 in. / 697.7 x 392.2mm	36.7 x 20.7 in. / 933.3 x 525.9mm	40.1 x 22.5 in. / 1018 x 572.7mm	47.6 x 26.8 in. / 1209.6 x 680.4mm
<b>CONNECTIVITY</b>				
<b>Input Terminals</b>				
Digital	HDMI x 3		HDMI x 4	
Analog	VGA 15-pin D-sub, RCA Composite x 2, RCA Component (Y,Cb/Pb,Cr/Pr) x 2, S-Video		VGA 15-pin D-sub, RCA Composite x 2, RCA Component (Y,Cb/Pb,Cr/Pr) x 2, S-Video x 2	
Audio	RCA Audio x 4, HDMI Audio, Audio Mini-Jack		RCA Audio x 5, HDMI Audio, Audio Mini-Jack	
External Control	NA			
Tuner	Integrated NTSC/ATSC (8-VSP, Clear QAM)			
Service Port	USB (Side)		USB (Side) Also a JPEG Viewer	
<b>Output Terminals</b>				
Digital	NA			
Analog	NA			
Audio	RCA Audio, Optical Digital Audio, Headphone Mini-Jack			
External Control	NA			
Audio Amplifier	10W Stereo		12W Stereo	
<b>FEATURES</b>				
Additional Features	Built-in closed captioning, variable picture modes (Vivid, Standard, PWR, Theater, Sport or Custom), advanced video settings (Noise Reduction, Adaptive Contrast, DCR), dynamic contrast, input labeling, backlight adjust, aspect ratio control, parental control (V-Chip function)		120 Hz motion, 10-bit high color, CONEQ sound, perfect volume, built-in closed captioning, variable picture modes (Dynamic, Standard, Movie, Custom, Game, Pro-day, Pro-night), USB JPEG image viewer, backlight adjust, aspect ratio control, input labeling, parental control (V-Chip function)	
<b>POWER</b>				
Power Requirements	2.5A@100-240V		3A@100-120V AC; 1.4A@220-240V AC	3.5A@100-120V AC; 1.6A@220-240V AC
Power Consumption (Typical)	77W	190W	210W	240W
Power Consumption - Standby Mode	< 1W			
<b>PHYSICAL SPECIFICATIONS</b>				
Bezel Width (L/R, T/B)	1.6 in./1.6 in., 1.6 in./2.9 in. ; 40.6mm/40.6mm, 40.6mm/73.6mm	1.5in./1.5in., 1.5 in./2.8 in. ; 38.1mm/38.1mm, 38.1mm/71.1mm	2.1in./2.1in., 2.1 in./3.9 in. ; 53.1mm/53.1mm, 53.1mm/100.3mm	1.9in./1.9in., 1.9in./4 in. ; 48mm/48mm, 48mm/102.1mm
Dimensions (without stand; WxHxD)	30.8 x 20.1 x 3.7 in. / 782.5 x 510 x 94.5mm	39.7 x 25 x 3.9 in. / 1009.5 x 634.2 x 99.5mm	44.4 x 28.6 x 4.1 in. / 1127.8 x 727.2 x 104.6mm	51.5 x 34.9 x 4.4 in. / 1308.1 x 886.2 x 112.8mm
Dimensions (with stand; WxHxD)	30.8 x 22 x 8.3 in. / 782.5 x 558.5 x 210.7mm	39.7 x 27.1 x 10.4 in. / 1009.5 x 688.1 x 264.7mm	44.4 x 32.4 x 12.2 in. / 1127.8 x 823 x 309.9mm	51.5 x 36.8 x 12.2 in. / 1308.1 x 934.7 x 309.9mm
Packaging Dimensions (WxHxD)	35.4 x 27.2 x 8.1 in. / 900 x 690 x 205mm	45.5 x 31.8 x 9.8 in. / 1156 x 808 x 250mm	49.8 x 36.6 x 11 in. / 1266 x 931 x 280mm	57.9 x 41.4 x 11 in. / 1470 x 1051 x 280mm
Net Weight (without stand)	22.5 lbs. / 10.2 kg	39.9 lbs. / 18.1 kg	43.9 lbs. / 19.9 kg	68.9 lbs. / 31.2 kg
Net Weight (with stand)	24.9 lbs. / 11.3 kg	44.3 lbs. / 20.1 kg	54 lbs. / 24.5 kg	79.1 lbs. / 35.9 kg
Gross Weight (with box)	31.9 lbs. / 15 kg	51.7 lbs. / 25 kg	69 lbs. / 31.3 kg	99.2 lbs. / 45 kg
VESA Hole Configuration	200 x 200mm (4 hole)		400 x 200mm (4 hole)	600 x 400mm (4 hole)
<b>ENVIRONMENTAL CONDITIONS</b>				
Operating Temperature	0-40°C / 32-104°F			
Operating Humidity	10-85%			
<b>ACCESSORIES</b>				
Included	Power cord, 15-pin D-sub cable, wireless remote control, batteries, manual, stand, thumb screws			
Optional	Tilt wall mount kit (WMK-3257), External single board computer (TNETPC-ION)		Tilt wall mount kit (WMK-E551), External single board computer (TNETPC-ION)	
<b>WARRANTY/SERVICE</b>				
Limited Warranty	1 year parts and labor, including backlight			



## CONNECTIVITY



OSD is a registered trademark of NEC Display Solutions. All brand or product names are trademarks or registered trademarks of their respective holders. Product specifications subject to change. 610 ver. 3.

©2010 NEC Display Solutions of America, Inc. All rights reserved.

**NEC Display Solutions**

500 Park Boulevard, Suite 1100  
Itasca, IL 60143  
866-NEC-MORE

**NEC**