

# NEC E Series

32" & 42" commercial-grade LCD displays ideal for corporate and digital signage applications

**Feature-rich affordability.** The NEC E Series, featuring the 32" E321 and 42" E421, brings corporate and digital signage users the professional performance and looks of the latest large-screen displays in a flexible and affordable solution. These models give corporate users a value-driven option for lobbies, boardrooms and small conference rooms, while addressing the display needs of digital signage users in retail stores, waiting rooms and health clubs.

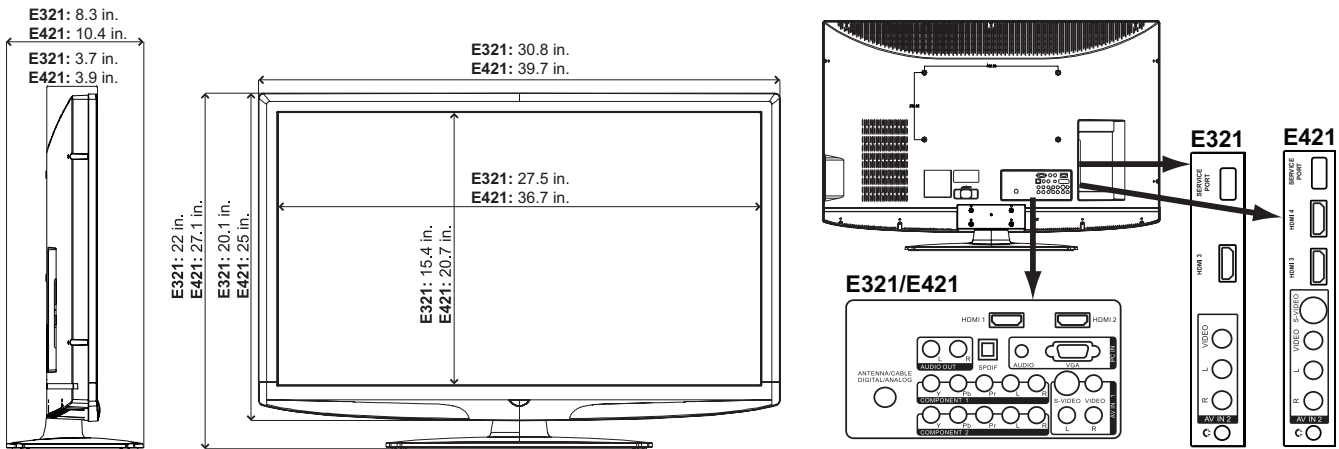
**Experience high-definition brilliance.** Whether you're using E Series displays to run digital signage messaging or music videos for the treadmill crowd, their screen performance will leave no head unturned. A remarkable 1920 x 1080 resolution, 450 cd/m<sup>2</sup> brightness and 4000:1 contrast ratio add amazing detail to video, images and text, while the integrated HD tuner makes high-definition sports and network programs jump off the screen with out-of-this-world clarity.



- ▣ **High-definition resolution (up to 1920 x 1080)** provides stunning detail for video and broadcast applications
- ▣ **High static contrast ratio (up to 4000:1)** helps create eye-catching images and crisp, easy-to-read text
- ▣ **Low power consumption** of 190W (E421) and 150W (E321) contributes to a lower total cost of ownership
- ▣ **Extensive connectivity** with multiple HDMI input terminals, analog RGB, S-video and composite video
- ▣ **Built-in closed captioning** enables hearing-impaired users to display text information in various supported languages based on the ATSC tuner program
- ▣ **Controllable closed captioning for analog and digital signals** allows the user to manipulate the size, font, color, opacity, background color and edge effect
- ▣ **Built-in NTSC/ATSC (8-VSB, Clear-QAM) analog/digital tuner** allows for high-definition broadcast capabilities
- ▣ **Built-in, low-profile 10W stereo speakers** enhance the experience with superior sound
- ▣ **Speaker management** includes equalizer adjustment (bass, treble, balance) and on/off function
- ▣ **Built-in swivel stand** expands your viewing options and detaches for wall mount applications
- ▣ **Multiple picture modes** adjust the picture appearance for an optimal viewing experience
- ▣ **Advanced video settings** ensure source material is displayed properly and accurately
- ▣ **Backlight adjust** allows users to customize the backlight strength, enabling longer display life and lower power consumption
- ▣ **Parental control (V-Chip function)** allows users to block programs based on rating category
- ▣ **Input labeling** allows users to assign labels to various inputs within the on-screen display (OSD®)
- ▣ **Preset audio source modes**, including standard, movie, news and custom, provide users with selectable optimal bass and treble settings
- ▣ **Variable transparency settings and multiple menu language choices (English, French, Spanish)** provide flexibility in adjusting OSD settings
- ▣ **Variable time zone settings** allows users to adjust the time on their display by time zone and includes a built-in daylight savings mode
- ▣ **Control settings** allow users to lock outside buttons, block unrated TV, and set USA and Canadian parental locks
- ▣ **Channel band selection** provides enhanced "over the air" and cable signal tuning
- ▣ **Signal level and channel strength meters** provide real-time visuals to help users determine the source of image inconsistencies
- ▣ **Auto channel search** saves users time in manually programming the display with available channels

## Specifications for E321/E421

MODEL	E321	E421
<b>LCD MODULE</b>		
Viewable Size (Diagonal)	32"	42"
Panel Technology	PVA	MVA
Native Resolution	1366 x 768	1920 x 1080
Pixel Pitch	0.51mm	0.48mm
Brightness (Typical)	450 cd/m <sup>2</sup>	
Contrast Ratio (Typical)	2000:1	4000:1
Active Screen Area (W x H)	27.5 x 15.4 in. / 697.7 x 392.2mm	36.7 x 20.7 in. / 933.3 x 525.9mm
<b>CONNECTIVITY</b>		
Input Terminals	Analog D-sub (VGA)	
RGB1 (Analog)	Analog D-sub (VGA)	
Video 1	HDMI (3)	HDMI (4)
Video 2	S-Video	S-Video (2)
Video 3	Composite (2)	
Component Video 1 (DVD/HD)	Component RCA (Y, Pb, Pr) (2)	
Audio	Audio 1 (4 Stereo RCA), Audio 2 (SPDIF), PC Audio (MiniJack)	
Tuner	NTSC/ATSC (8-VSB, Clear-QAM)	
Service Port	USB	
Output Terminals		
RGB	No	
Video	No	
Audio	Yes	
External Control	No	
Audio Amplifier	10W Stereo	
<b>FEATURES</b>		
Additional Features	Built-in closed captioning, variable picture modes (Vivid, Standard, PWR, Theater, Sport or Custom), advanced video settings (Noise Reduction, Adaptive Contrast, DCR), dynamic contrast, input labeling, backlight adjust, aspect ratio control, parental control (V-Chip Function)	
<b>POWER</b>		
Power Requirements	AC 100-240V@50/60 Hz	
Power Consumption (Typical)	77W	190W
Power Consumption - Standby Mode	< 1W	
<b>PHYSICAL SPECIFICATIONS</b>		
Bezel Width (L/R, T)	0.89 in. / 0.89 in., 22.7mm / 22.7mm	1.4 in. / 1.4 in., 34.8mm / 34.8mm
Dimensions (without stand; WxHxD)	30.8 x 20.1 x 3.7 in. / 782.5 x 510 x 94.5mm	39.7 x 25 x 3.9 in. / 1009.5 x 634.2 x 99.5mm
Dimensions (with stand; WxHxD)	30.8 x 22 x 8.3 in. / 782.5 x 558.5 x 210.7mm	39.7 x 27.1 x 10.4 in. / 1009.5 x 688.1 x 264.7mm
Packaging Dimensions (WxHxD)	35.4 x 27.2 x 8.1 in. / 900 x 690 x 205mm	45.5 x 31.8 x 9.8 in. / 1156 x 808 x 250mm
Net Weight (without stand)	22.5 lbs. / 10.2 kg	39.9 lbs. / 18.1 kg
Net Weight (with stand)	24.9 lbs. / 11.3 kg	44.3 lbs. / 20.1 kg
Gross Weight (with box)	31.9 lbs. / 15 kg	51.7 lbs. / 25 kg
VESA Hole Configuration	200 x 200mm (4 hole)	400 x 200mm (4 hole)
<b>ENVIRONMENTAL CONDITIONS</b>		
Operating Temperature	0-40°C / 32-104°F	
Operating Humidity	10-85%	
<b>ACCESSORIES</b>		
Included	Power cord, 15-pin D-sub cable, wireless remote control, batteries, manual, stand, thumb screws	
Optional	Tilt wall mount kit (WMK3260-L)	
<b>WARRANTY/SERVICE</b>		
On-Site Limited Warranty	1 year parts and labor, including backlight	



OSD is a registered trademark of NEC Display Solutions. All brand or product names are trademarks or registered trademarks of their respective holders. Product specifications subject to change. 5/10 ver. 2.

©2010 NEC Display Solutions of America, Inc. All rights reserved.

**NEC Display Solutions**

500 Park Boulevard, Suite 1100  
Itasca, IL 60143  
866-NEC-MORE

**NEC**