



# 47" LCD INTEGRATED HDTV

# 47LBX



### FULL HD RESOLUTION

DISPLAYS HDTV PROGRAMS IN FULL 1920 X 1080P RESOLUTION FOR A MORE DETAILED PICTURE.

### TRUMOTION DRIVE (120Hz PANEL)

ADVANCED 120Hz PANEL PROVIDES CLEARER, SMOOTHER IMAGES, EVEN DURING FAST ACTION SCENES.

### TRUCOLOR (WIDE COLOR GAMUT)

EXPANDS THE GAMUT OF COLORS FROM THE CONVENTIONAL 88% OF THE NTSC SPECTRUM TO 92% FOR MORE VIVID AND NATURAL REPRODUCTION OF COLOR.

### SUPER IPS TECHNOLOGY

REDUCES COMMON DISTORTION AND BLURRING CAUSED BY FAST MOTION VIDEO AND ALSO PROVIDES ONE OF THE INDUSTRY'S WIDEST VIEWING ANGLES.

### LG SIMPLINK™

ALLOWS FOR CONVENIENT CONTROL OF OTHER LG SIMPLINK™ PRODUCTS USING THE EXISTING HDMI™ CONNECTION.

### USB MEDIA HOST

EXPERIENCE YOUR DIGITAL MUSIC (MP3) AND PHOTO (JPEG) LIBRARY WITH USB MEDIA HOST.

- 1920 X 1080P FULL HD RESOLUTION
- 10,000:1 DYNAMIC CONTRAST RATIO
- TRUMOTION DRIVE (120Hz PANEL)
- TRUCOLOR (WIDE COLOR GAMUT)
- ATSC/NTSC/QAM CLEAR TUNER
- XD ENGINE®
- 178° TRUE WIDE VIEWING ANGLE
- SUPER IPS TECHNOLOGY
- SRS TRUSURROUND XT®
- LG SIMPLINK™
- 3 HDMI™ WITH HDCP
- USB MEDIA HOST



THERE'S A FINE LINE BETWEEN ART AND TECHNOLOGY, IT'S CALLED OPUS, FROM LG.



# 47" LCD INTEGRATED HDTV

# 47LBX



<b>TV</b>	
ATSC/NTSC/QAM CLEAR TUNER	•

<b>VIDEO</b>	
NATIVE DISPLAY RESOLUTION	1920 x 1080P
DYNAMIC CONTRAST RATIO	10,000:1
RESPONSE TIME (GREY TO GREY)	5MS
BRIGHTNESS (CD/M <sup>2</sup> )	500
TRUMOTION (120Hz)	•
XD ENGINE®	•
SUPER IPS	•
PURE BLACK LEVEL	•
TRUE WIDE VIEW	•
VIEWING ANGLE	178° x 178°
DIGITAL COMB FILTER	3D
COLOR TEMPERATURE CONTROL	4 MODES
ASPECT RATIO ADJUSTMENT	5 MODES
ENHANCED NOISE REDUCTION (VIDEO NOISE FILTER)	•
ENHANCED LINE DOUBLER	•
3:2 PULL-DOWN CORRECTION	3:2 (480i/1080i)
PICTURE SELECTION MODE	6 MODES
BLACK STRETCHER (BLACK LEVEL ENHANCER)	•
DTV SIGNAL STRENGTH INDICATOR	•
ACM (ACTIVE COLOR MANAGEMENT)	•
COLOR PROCESSOR	10 BIT

<b>AUDIO</b>	
MONO/STEREO/DUAL (MTS/SAP)	•
AUDIO OUTPUT POWER (WATTS - THD10%)	10W + 10W
SPEAKER SYSTEM DETAILS	2 WAY 4 SYSTEM
DOLBY DIGITAL DECODER	•
SURROUND SYSTEM TYPE	SRS TRUSURROUND XT™
BASS/TREBLE/BALANCE CONTROLS	•
AVL (AUTO VOLUME LEVELER)	•

<b>AUDIO (CONTINUED)</b>	
EZ SOUND (SOUND STATUS MODE)	5 MODES
MUTE	•

<b>1080P SOURCE INPUT</b>	
HDMI™	60P/30P/24P
COMPONENT	60P/30P/24P
RGB	60P

<b>SPECIAL FEATURES</b>	
INTELLIGENT EYE (ROOM LIGHT ADJUSTMENT)	•
AUTO INPUT DETECT	•
CUSTOM INPUT LABELS	•
PC MODE CONFIGURATION	• (MANUAL)
BACK (PREVIOUS CHANNEL)	•
PARENTAL CONTROL w/V-CHIP	•
CLOSED CAPTION	•
LG SIMPLINK™	•
TRILINGUAL MENU	ENGLISH, SPANISH, FRENCH
EZ MENUS (HIGH PERFORMANCE INTERFACE)	•
AUTO CHANNEL PROGRAMMING	•
CHANNEL ADD/DELETE	•
FAVORITE CHANNEL	•
MANUAL CLOCK	•
ON/OFF TIMER	•
SLEEP TIMER	•
AUTO OFF (WHEN NO VIDEO IS PRESENT)	•

<b>REAR AUDIO/VIDEO INPUTS/OUTPUTS</b>	
RF IN (ANTENNA/CABLE)	1
L/R AUDIO/COMPOSITE VIDEO IN	1
L/R AUDIO OUT	1
S-VIDEO IN	1
HD COMPONENT VIDEO IN (Y,Pb,Pr) + L/R AUDIO	2

<b>REAR AUDIO/VIDEO INPUTS/OUTPUTS (CONTINUED)</b>	
DIGITAL AUDIO OUT	2 (1 COAXIAL/1 OPTICAL)
HDMI/HDCP INPUT	3
RGB IN (D-SUB 15PIN) - PC	1
PC AUDIO INPUT	1
RS-232C IN (CONTROL/SERVICE)	1
REMOTE CONTROL IN (IR)	1

<b>SIDE AUDIO/VIDEO INPUTS/OUTPUTS</b>	
L/R AUDIO/COMPOSITE VIDEO IN	1
S-VIDEO	1
USB IN (MUSIC, PHOTOS ONLY)	1 (JPEG, MP3)

<b>CABINET/ACCESSORIES</b>	
CABINET STYLE	TABLE TOP
CABINET COLOR	GLOSS BLACK
SWIVEL (ANGLE)	• (20°)
REMOTE CONTROL TYPE	UNIVERSAL
VESA® COMPATIBLE (W x H)	60MM x 400MM

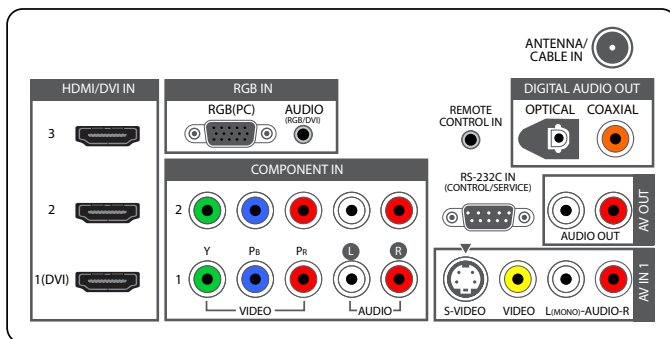
<b>POWER</b>	
CONSUMPTION (TYPICAL)	N/A
STAND-BY CONSUMPTION	1W
ENERGY STAR COMPLIANT	•

<b>SPECIFICATIONS</b>	
DIMENSIONS w/OUT STAND (W x H x D)	45.3" x 30.2" x 4.1"
WEIGHT w/OUT STAND	N/A
DIMENSIONS w/STAND (W x H x D)	45.3" x 33.8" x 14.4"
WEIGHT w/STAND	N/A
DIMENSIONS w/PACKAGING (W x H x D)	48.7" x 38.1" x 18.2"
WEIGHT IN PACKAGE	N/A
UPC	719192171480
WARRANTY	1 YEAR PARTS/LABOR

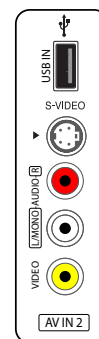
### REMOTE



### REAR AUDIO/VIDEO INPUTS/OUTPUTS



### SIDE



LG ELECTRONICS U.S.A., INC. 1000 SYLVAN AVENUE, ENGLEWOOD CLIFFS, NJ 07632 (800)243-0000

© 2007 LG ELECTRONICS U.S.A., INC., ENGLEWOOD CLIFFS, NJ. LG DESIGN AND LIFE'S GOOD ARE TRADEMARKS OF LG ELECTRONICS, INC. ALL OTHER TRADEMARKS ARE THE PROPERTY OF THEIR RESPECTIVE OWNERS. DESIGN AND SPECIFICATIONS SUBJECT TO CHANGE WITHOUT NOTICE. 08/15/07