



L3200AK

32" LCD WIDESCREEN 16:9 HDTV MONITOR



32" LCD HDTV
MONITOR WITH OPTIONAL SWIVEL STAND
ST3200K BLACK



OPTIONAL SPEAKERS
SP3200K BLACK
4.09"W x 19.41"H x 2.48"D

32" HDTV Monitor

Truly Flat LCD screen delivers razor sharp images

1366 x 768p Resolution

High resolution format produces extremely detailed imagery

600:1 High Contrast Ratio

LCD technology emits sharp contrast between light and dark images

550 cd/m² High Brightness

Renders an incredibly bright picture, even in light-drenched environments

176 Degrees Viewing Angle

New Super IPS Technology allows for distortion-free viewing from almost any angle

Hi-Res Component, S-Video, DVI-D, D-Sub 15-Pin, and AV

Multiple inputs for DVD players, VCRs, computers, and video game systems

Advanced Picture In Picture (PIP)

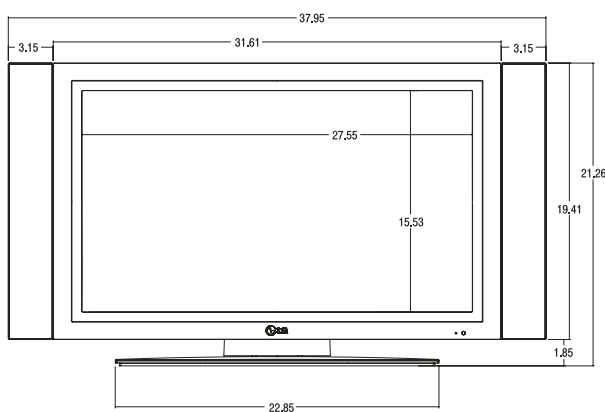
RS-232C Controllable

Discrete IR Codes

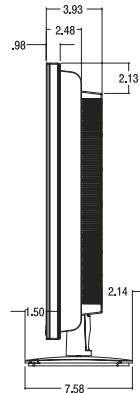


L3200AK 32" LCD Widescreen 16:9 HDTV Monitor

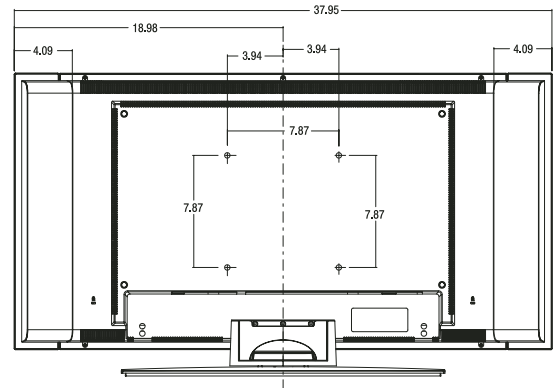
DIMENSIONS



Front View



Side View



Back View

PAANEL

Screen Size	32"
Aspect Ratio	16:9
Native Resolution	1366 x 768p
Pixels (H x V x 3)	3,147,264
Brightness	550 cd/m ²
Contrast Ratio	600:1
Viewing Angle (H x V)	176° x 176°
Color Depth	16.7 Million
Response Time	12 ms
Surface Treatment	Hard Coating (3H) Anti-Glare
MTBF	50,000 Hr.

VIDEO

Max Input Resolution (Analog/Digital)	1280 x 1024 @ 60 Hz
Recommended Resolution (Analog/Digital)	1280 x 1024 @ 60 Hz
H-Scanning Frequency (Analog/Digital)	30 ~ 66 kHz
V-Scanning Frequency	56 ~ 85 Hz
Pixel Frequency	165 MHz (D-Sub) 135 MHz (DVI-D)
Sync Compability	Separate / Composite / SOG / Digital
Video Input	RGB Analog / Digital
EZ Video	Dynamic, Standard, Mild, Game, User
ACC	Warm, Normal, Cool

REAR INPUTS

Component Video	1 + 1 Hi-Res
PC Input via 15-Pin Sub "D"	1
Composite Video Input/Output	Yes
Audio Inputs	3 Plus PC Sound
HDTV Formats	720p, 1080i
PC Formats	Auto Scaling to XGA
DVI-D	Yes
RS-232C Input/Output	Yes
S-Video	1
Audio Jack Built-in (No Amp)	Yes
Discrete IR Input	Yes

AUDIO

SRS WOW	Yes
Auto Volume Limiter	Yes
Audio Power	20W (10W x 2)
Balance	Yes
EZ Audio	Flat, Music, Movie, Speech, User

SPECIAL FEATURES

Advanced Picture In Picture	Yes, PIP/POP/PBP
Image Zoom	Yes
Source Selection	Digital (DVI-D), Analog (D-Sub), Composite, S-Video
Brightness/Contrast	Yes
Color	9300K, 6500K, User Color (R/G/B)
Position	H/V
Tracking	Auto, Clock, Phase
Set-up	Language (English, French, Spanish, Korean, Italian, German, Portugese), Image Size, OSD Position, Transparency, Zoom, Information (Elapsed Time, Mode) PIP On/Off, PIP Source, PIP Size, PIP Position

SPECIAL FEATURES (continued)

PIP Image	(Contrast, Brightness, Sharpness, Color, Tint)
Special	Auto Adjust, OSD Lock
Mute	Yes
Sleep Timer	Yes
Auto Power/Source Memory	Yes

CABINET

Color	Black
Monitor Dimensions (W x H x D)	31.61" x 19.41" x 3.93"
Weight	36.46 Lbs.
Monitor w/Optional ST3200K Swivel Stand Dimensions (W x H x D)	31.61" x 21.26" x 7.58"
Weight	41.5 Lbs.
Optional SP3200K Speaker Dimensions (W x H x D)	4.09" x 19.41" x 2.48"
Weight Each	1.7 Lbs.
VESA™ Standard Mount Interface	Yes (200 mm)
Backlit Logo	Yes
Optional Wall Mount	RW200

POWER

Power Supply	90 ~ 264V/AC (47 ~ 63Hz)
Power Type	Built-in Power
Power Switch Type	Tact Switch & Mechanical Switch
Power Saving	
Normal	320 W
Stand-by/Suspend	5 W
DPM Off	5 W
Switch Off	1 W
EPA Energy Star	Yes

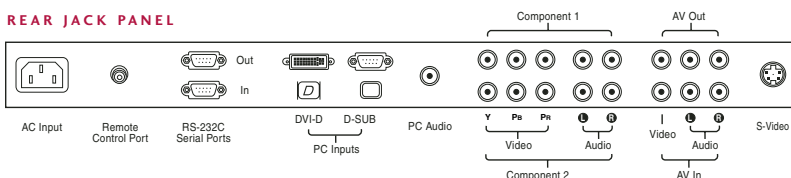
SERVICE/LIMITED WARRANTY

Warranty (Parts/Labor)	3 Years
------------------------	---------

STANDARD (CERTIFICATION)

Safety	UL/CSA/CE/CB scheme/TUV-GS/SEMKO
EMC	FCC Class "B"/VCCI/C-tick/GOST

REAR JACK PANEL



www.LGcommercial.com

LG Electronics U.S.A., Inc. 2000 Millbrook Drive, Lincolnshire, IL 60069 Customer Service: 1-888-865-3026

Dimensions and weights are approximate. Design and specifications subject to change without notice. HDTV monitors require optional set-top box to receive high-definition broadcast. VESA™ is a registered trademark of Video Electronics Association. The "LG Life's Good" is a registered trademark of LG Electronics U.S.A., Inc. ©2005 LG Electronics U.S.A., Inc. Printed in the USA. LG3200AK0305

