

3210LD

superb low-cost HD performer!

The outstanding performance of LCD matched with our proven design expertise, which makes the new 3210LD an excellent value. Even though our products are the low price contender, it's loaded with the features discriminating video enthusiasts demand such as: HD display format up to 1080i, detachable high-quality stereo speakers, built-in ATSC digital HD tuner with QAM and full function universal remote control. The techDisplay 3210LD delivers superb technology at a surprisingly affordable price.

primary specifications:

type:	HD a-Si TFT LCD (liquid crystal)
display:	CMO 32" measured diagonally
video chipset:	ZORAN ZR39660
input processing:	ZORAN edge enhancement
aspect ratio:	16:9 widescreen
resolution:	1366 X 768 (WXGA) supports HD 720p 1080i
pixel pitch:	0.173mm X 0.519mm
brightness:	550 (nit) cd/m ²
contrast:	1000:1
viewing angle:	176/176 degree
response time:	8 ms
tuner:	ATSC/NTSC HD with QAM
audio amp:	10x2 watts, SRS
speakers:	side detachable speaker system
terminals:	(1) 75ohm RF (1) HDMI (2) composite video (1) S-Video (1) VGA D-SUB (2) component (Y,Pb/Cb,Pr/Cr) (1) audio/video out (1) stereo headphone (1) RS232C (1) optical out
other features:	3D comb filter, supports CCD and V-Chip, sleep timer, full function remote control, 3:2, 2:2 pull down, pedestal base.

technical spec:

power supply:	AC 100 – 240v, 50/60hz
power cons.:	maximum 200 watts
standby cons.:	<1 watt
wall mount:	100/200 VESA standard
dimensions:	56.7" x 10.7" x 32.4"
regulatory:	FCC-B, UL 1950, Canadian ICES 003-B, EPA, CSA, C22.2 no.950

shipping and packaging:

net weight:	51 lb / 23 kg
gross weight:	71 lb / 32 kg
package dim: (L x W x H)	44.1" x 14.3" x 27.9" 1120mm x 362mm x 708mm

container loading:
20' (96pcs), 40' (198pcs), 40'HQ (198pcs)
US headquarters: 2279 North Rampart Boulevard
Las Vegas, NV. 89128 (702) 228-7711
visit us at: www.bydsign.com

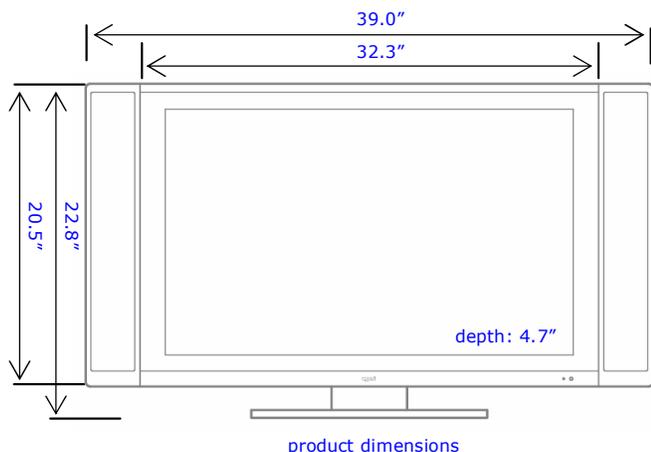
US and Canadian version 3210LD 32" techDisplay HD LCD digital television



frontal view, with speakers

speakers removed

remote control



product dimensions

designed in Tokyo, Japan, precision manufactured in China for maximum value



byd:sign® techDisplay
worldwide



In our progressive search for continued technical and design excellence, we continually modify the look and performance of our products. Therefore, specifications and features are subject to change without notice.