

M4200N-B10

42" LCD Widescreen HDTV/Network Monitor

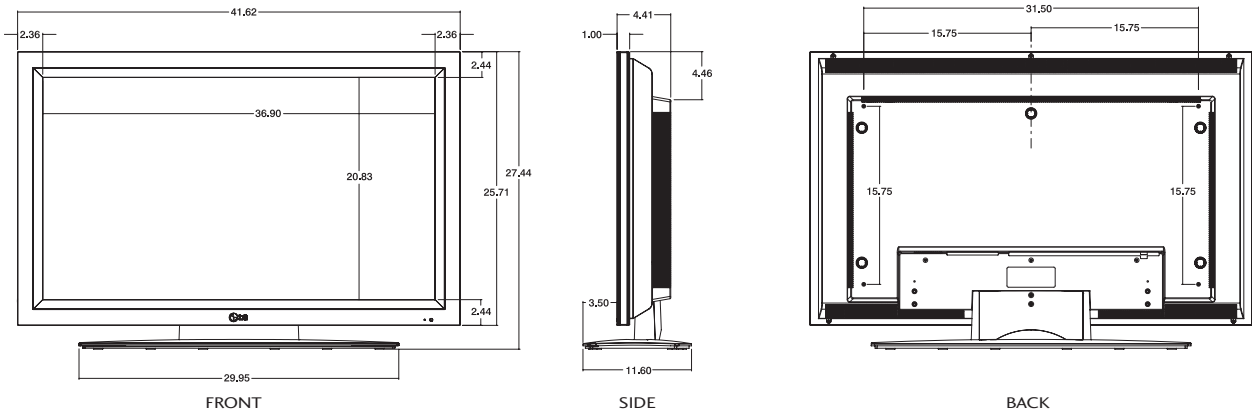


42" LCD HDTV/NETWORK MONITOR
WITH OPTIONAL STAND ST4200K



- **42" HDTV Monitor**
Truly Flat LCD screen delivers razor sharp images
- **1366 x 768 Resolution**
High resolution format produces extremely detailed imagery
- **Improved! 1600:1 High Contrast Ratio**
LCD technology emits sharp contrast between light and dark images
- **500 cd/m² High Brightness**
Renders an incredibly bright picture, even in light-drenched environments
- **Improved! 178° Degree Viewing Angle**
Super IPS™ Technology allows for distortion-free viewing from almost any angle
- **New! Temperature Sensor**
- **New! Lamp Fault Sensor**
- **New! Split Zoom (Self Video Wall)**
- **RS-232C Controllable**
- **Discrete IR Codes**





SPECIFICATIONS

Monitor

Cabinet Color

Color Black

Panel

Display Size 42"
 Resolution Up to 1366 x 768 (Native Resolution)
 Pixel Pitch 0.227mm x 0.681mm
 Brightness 500 nits
 Contrast Ratio 1600:1
 Viewing Angle 178°/178° (H/V)
 Response Time 8ms (GTG)
 Life Time of Back Light 50,000 hrs
 Color 16.7M colors
 Coating Anti Glare, Hard Coating (3H)
 Super IPS™ Yes

Sync Range

Horizontal Frequency 30 ~ 83kHz
 Vertical Frequency 56 ~ 85 Hz

Input Signal

Video Signal Analog
 Sync Type Separate, Composite/SOG

Connectors

PC Video Input D-SUB x 1
 PC Video Output D-SUB x 1
 A/V (Include Speaker) Not supported

Plug & Play

DDC DDC 2B

Power Supply

Power Supply 100~240 V / AC (50 ~ 60Hz)

Power Consumption (Monitor / Controller / Total)

On 220W / 50W / 270W

User Control

Button Source (1), Menu (1), Adjust (4), Auto/Set (1), Power (1)
 Functions OSD Lock, Access Authorization, Zoom, Split-Zoom (Max Matrix 4x4), Auto Adjustment, Temperature sensor, Lamp fault sensor

Remote Controller Exclusive Remote Controller supporting Split-Zoom (Matrix) management with SET ID

UPC 719192182080

Mechanical

Monitor Only Dimension (WxDxH) 41.62" x 4.41" x 25.71"
 Monitor Only Weight 95.1 lbs.
 Monitor w/Stand (WxDxH) 41.62" x 11.60" x 27.44"
 Carton Dimension (WxDxH) 46.77" x 11.60" x 35.51"
 Shipping Weight 119.5 lbs.
 VESA™ Standard Mount 800 x 400
 Stand ST4200K (optional)

Regulations (Proceeding)

Safety UL / CSA (cUL) / TUV / SEMKO
 EMC FCC Class A / CE
 ETC EK / MIC

Controller (Built-in)

CB100 (Powerful)

Type Slot-type Mini-ITX (Easy maintenance)
 OS Open Architecture (Windows XP Embedded or XP Professional is ready to install. OS not included)
 CPU Intel Pentium-M 1.8GHz
 RAM DDR2 400MHz 512MB
 Hard Disk 80GB
 Video RAM Max 64MB
 Power Consumption Under 40W
 Port RGB-Out
 - USB2.0 x 2, RJ45, RS-232C x 2, PS/2 (Keyboard, Mouse)
 PCI Slot 2 (Half-Size)
 Temperature 0°C~40°C
 Humidity 10%~90%

REAR JACK PANEL

