

M4201 C

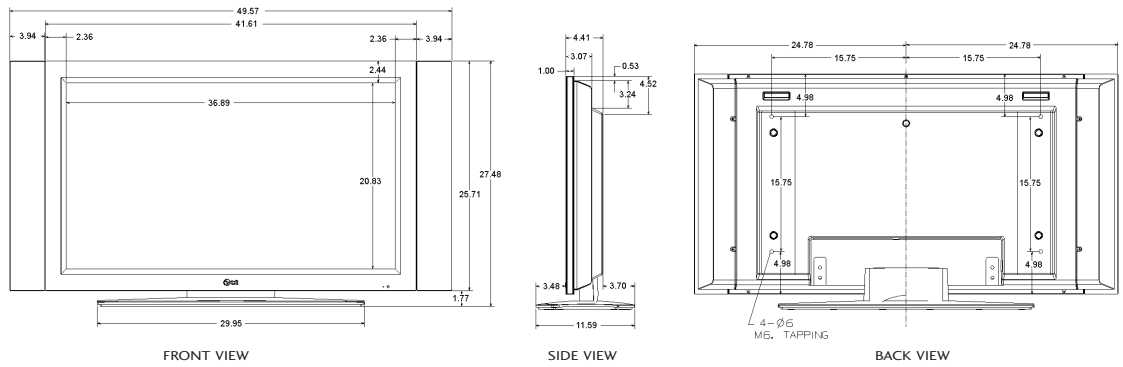
42" LCD Widescreen HD Capable Monitor



SHOWN WITH OPTIONAL STAND

KEY FEATURES

- 42" Widescreen LCD Monitor
- 1366 x 768 Resolution (WXGA)
- 16:9 Aspect Ratio
- 178 degree viewing angle (S-IPS)
Super IPS Technology allows for distortion-free viewing from almost any angle
- 500 cd/m² Brightness
- 8ms response time
- 1600:1 Contrast Ratio
- HDMI™ / Composite (BNC) / Component (BNC) and S-Video inputs
- Tile Mode : 4 x 4 available multiplying the size of display
- Temperature and Lamp Fault Sensor



SPECIFICATIONS

| | | | |
|-----------------------------------|------------------------------------------------------------------------------------|--------------------------------------------|-----------------------------------------------------------------------|
| PANEL | | CABINET | |
| Screen Size | 42 inch Widescreen TFT (Thin Film Transistor) - LCD (Liquid Crystal Display) Panel | Front Color | Black |
| Panel Type(TN,IPS) | S-IPS | Rear Color | Black with Silver removable rear cover |
| Aspect Ratio | 16:9 | Monitor Dimensions (W x H x D) (Head Only) | 41.61 inches x 25.71 inches x 4.41 inches |
| Native Resolution | 1366x768 | Weight (Head Only) | 79.37 lbs |
| Brightness | 500 cd/m ² | Carton Dimensions (W x H x D) | 46.78 inches x 35.52 inches x 15.04 inches |
| Contrast Ratio | 1600:1 | Packed Weight | 103.62 lbs |
| Response Time | 8 ms | Kensington Lock | Yes |
| Viewing Angle | 178 / 178 | AUDIO FEATURES | |
| MTBF | 50,000 Hrs | Max Audio output | 20Watt (10W x 2EA) |
| Color Depth | 16.7 Million (8bits) | Audio | Built-in AMP, Equalizer, Auto Volume Limiter, Balance, Speaker on/off |
| Pixel Pitch | 0.681 x 0.681 | SSM | Surround Max, Flat, Music, Movie, Sports, User |
| Lamp Quantity | 20 CCFL | SPECIAL FEATURES | |
| Surface Treatment | AG (3H), Anti-Glare coating | XD Engine™ | Yes |
| VIDEO | | XD Demo | Yes (Not Available in RBG PC/HDMI/DVI PC Mode) |
| Max Input Resolution | 768p | Pb Free | Yes |
| H-Scanning Frequency | RGB : 30 - 83 kHz; HDMI/DVI : 30 - 72 kHz | DDC/CI | Yes |
| V-Scanning Frequency | 56 - 85 Hz | Intelligent Auto (Auto Resolution) | Yes |
| Synchronization Type | Separate/Composite/SOG (Sync On Green)/Digital | Tile Mode | Yes, Max 4x4 |
| INPUTS AND OUTPUTS | | Temperature Sensor | Yes |
| 15 Pin D-Sub | RGB In / RGB Out | Lamp Fault Sensor | Yes |
| HDMI™(digital) with HDCP | 1 In / DVI (through HDMI™ to DVI adapter - not included) | LG Logo Light | off / on selectable |
| S-Video | 1 In | ISM Method | Normal, Orbiter, Inversion, White Wash |
| Component | 2 Component In (1080i) BNC with audio | PSM | Dynamic, Standard, Mild, User 1, 2 |
| Composite | 1 in / 1 out(BNC) with audio | CSM | Warm, Normal, Cool, User |
| PC Audio Input | Yes | CERTIFICATIONS | |
| RS-232C | RS-232C In / RS-232C Out | UL(cUL) | Yes |
| Remote Control input | Yes / IR Jack | TUV-GS | Yes |
| CONTROL | | SEMKO | Yes |
| Key Number | 8 | FCC-B, CE | Yes |
| Key Location | Right Bottom | VESA™ Mounting | Yes(800 x 400) |
| Key Type | Tact Switch | CB scheme | Yes |
| LED color | Amber-off/Green-on | VCCI | Yes |
| OSD Language | English,French,German,Italian,Spanish, Portuguese,Korean | GOST | Yes |
| POWER | | MIC | Yes |
| Power Supply | Internal | ACCESSORIES | |
| Rated Voltage | AC 100-240V~ 50/60Hz 2.5A | Remote Control/AAABatteries(2) | |
| On Mode | 240W | User's Guide/Driver CD-Rom/Warranty Card | |
| DPM Off | 1W | 15-pin D-Sub Signal Cable | |
| Off Mode | 1W | Power Cable | |
| Sleep Mode | ≤1W (RGB) / 4W(HDMI/DVI) | Audio Cable (PC) | |
| ENVIRONMENTAL CONDITIONS | | RCA-PC Audio Cable | |
| Operational Condition Temperature | Temperature: 50°F ~ 95°F, 10°C ~ 35°C , Humidity: 10% ~ 80% | OPTIONAL ACCESSORIES | |
| Storage Condition | Temperature: -4°F ~ 140°F, -20°C ~ 60°C , Humidity: 5% ~ 95% | Detachable Speakers (SP4200K) | Black |
| UPC CODE | 719192182530 | Speaker Dimensions(W x H x D) | 3.94 inches x 25.71 inches x 3.07 inches |
| | | Weight | 6.10 lbs |
| | | Removable Stand (ST4200K) | Black/Silver |
| | | Stand Dimensions(W x H x D) | 29.95 inches x 5.00 inches x 11.60 inches |
| | | Weight | 9.62 lbs |
| | | Warranty (Parts/Labor) | 3 years |

REAR JACK PANEL

