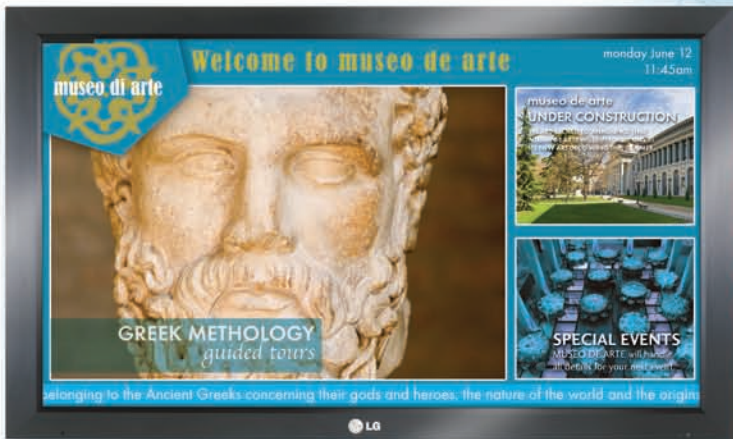


52" CLASS (52.0" DIAGONAL)

M5201C-BA

LCD
MONITOR

LCD Widescreen Full HD Capable Monitor



FULL HD 1080p RESOLUTION
1920 x 1080 WUXGA

NEW! 3 POWER SAVING LEVELS

CONTRAST RATIO
1600:1 (Dynamic)
800:1 (High)

HIGH BRIGHTNESS
500 cd/m²

SPLIT ZOOM (self video wall)
Up to 4 x 4 matrix - adjusts for bezel width

LG EXCLUSIVE XD ENGINE®

SUPER IN-PLANE-SWITCHING (S-IPS) PANEL

TEMPERATURE AND LAMP FAULT SENSOR

HDMI™/DVI WITH HDCP

RS-232C CONTROL

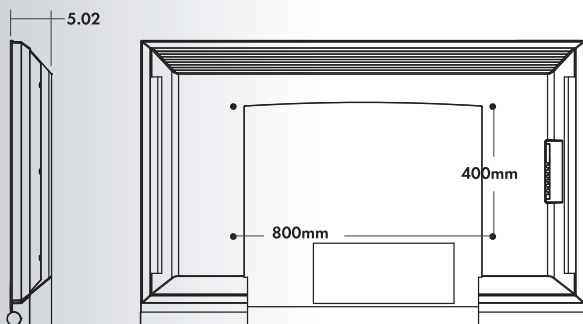
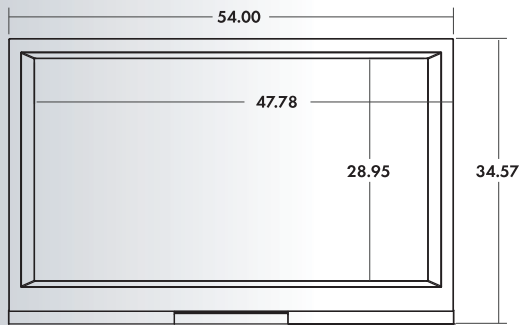
CABINET COLOR
matte black

63MM BEZEL

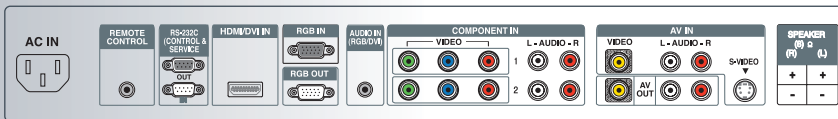
3-YEAR LIMITED WARRANTY
(parts/labor)

www.LGcommercial.com





Rear Jack Pack Panel



SPECIFICATIONS

LCD Panel Type	52"
Display Area	52.0"
Aspect Ratio	16 : 9
Native Resolution	1920 x 1080 (WUXGA)
Pixels (H x V x 3)	6,220,800
Brightness	500 cd/m ²
Contrast Ratio	800:1 (1600:1 DCR)
Viewing Angle (H x V)	178 x 178
SIPS	Yes
Color Depth	1 Billion Colors
Response Time	9ms(G to G)
Surface Treatment	Hard Coating (3H); Anti-glare
MTBF	50,000 Hr. (Typical)

VIDEO

Max Input Resolution	D-Sub	1920 x 1080 @ 60Hz
	DVI-D	1920 x 1080 @ 60Hz
H-Scanning Frequency	D-Sub	30 ~ 83 kHz
	DVI-D	30 ~ 83 kHz
V-Scanning Frequency		56 ~ 85 Hz
Pixel Frequency		Max. 148.5 MHz
Sync Compatibility		Separate / Composite
Video Input		RGB Analog / Digital
EZ Video		Dynamic / Standard / Mild / User1 / User2
ACC		Warm / Normal / Cool

REAR INPUTS

Component Video	2 (480i/p, 720p, 1080i)
PC Input via 15-Pin Sub "D"	1
Composite Video Input/Output	1 / 1
Audio Inputs	3 Plus PC Sound
HDTV Formats	720p / 1080i
PC Formats	Auto Scaling to WUXGA
HDMI/DVI with HDCP	Yes
RS-232C Input/Output	1 / 1
S-Video	1
Discrete IR Input	Yes
External Speaker Out	Yes

AUDIO

Surround MAX	Yes
Auto Volume Limiter	Yes
Audio Power	20W (10W x 2)
Balance	Yes
EZ Audio	Flat / Music / Movie / Sports / User

SPECIAL FEATURES

Advanced Picture In Picture	No
New Temperature Sensor	Yes
New Lamp Fault Sensor	Yes
Cooling FAN	Yes
New Split Zoom	Yes, supports natural mode
Image Zoom	No
Source Selection	Digital(HDMI/DVI) / Analog (RGB)/ Component 1&2 / AV
Brightness/Contrast	Yes
Color	Normal, Cool, Warm / User Control (R,G,B)
Position	H / V
Tracking	Auto / Clock / Phase
Setup Language	English / French / Spanish / Korean / Italian / German / Portuguese / Japanese / Chinese
ISM Method	Normal / White Wash / Orbiter / Inversion / Orb. + Inv.
XD Engine	XD Contrast / XD Color / XD NR / MPEG NR
Advanced	Cinema / Black level
Time	Clock / Off time / On time
Special	Auto Adjust, OSD Lock
Mute	Yes
Sleep Timer	Yes
Auto Power/Source Memory	Yes
Kensington Security Slot	Yes
Child Lock	Yes
Power Indicator	On / Off

CABINET

Color	Matte Black
Monitor Dimension (W x H x D)	50.51" x 30.17" x 4.62"
Weight	93.39 lbs.
Carton Dimensions (W x H x D)	55.12" x 34.53" x 14.49"
Packed Weight	125.67 lbs.
VESA™ Standard Mount Interface	800 x 400
Accessory Stand & Speakers	None available

POWER

Power Saving	Yes, Level 1 / Level 2 / Level 3
Power Supply	AC 100 - 240V.50/60Hz 3.0A 90 ~ 264V / AC (47 ~ 63Hz)
Power Type	Built-in Power
Power Switch Type	Tact Switch
Power Consumption	On Mode 400W (typ.) Sleep Mode ≤2W (RGB) / 4W (HDMI/DVI) Off Mode ≤2W

STANDARD (CERTIFICATION)

Safety	UL / c-UL / CB scheme / TUV / NEMKO
UPC CODE	7 19192 18481 7

www.LGcommercial.com



LG Electronics U.S.A., Inc.
Commercial Products Division
2000 Millbrook Drive,
Lincolnshire, IL 60069

Customer Service: 888.865.3026

Contact your LG regional sales representative:
B2B: 800.897.8788
IT: 800.321.5501
Hospitality: 800.228.1236
Channel Markets: 800.897.8871

M5201C-BA_LGE070801_c



All screen images are simulated. Dimensions and weights are approximate. Design, specifications, and features subject to change without notice. HDTV monitors require an optional set-top-box to receive high-definition broadcast.

© Copyright 2008 LG Electronics USA, Inc. All Rights Reserved. LG Life's Good is a registered trademark of LG Corp.

XD Engine is a registered trademark of LG Electronics USA, Inc. VESA is a registered trademark of Video Electronics Standards Association.

All other product and brand names are trademarks or registered trademarks of their respective companies.

Printed in the USA. July 2008