

Pioneer *sound.vision.soul*

**PLASMA DISPLAY
ÉCRAN PLASMA
PANTALLA DE PLASMA**

PRO-FHD1

ELITE

Register Your Product at

www.pioneerelectronics.com (US)

www.pioneerelectronics.ca (Canada)

Enregistrez votre appareil sur:

www.pioneerelectronics.com (États-Unis)

www.pioneerelectronics.ca (Canada)

Operating Instructions
Mode d'emploi
Manual de instrucciones

HDMITM
HIGH-DEFINITION MULTIMEDIA INTERFACE

SRS[®]
WOW

IMPORTANT



The lightning flash with arrowhead symbol, within an equilateral triangle, is intended to alert the user to the presence of uninsulated "dangerous voltage" within the product's enclosure that may be of sufficient magnitude to constitute a risk of electric shock to persons.

CAUTION

**RISK OF ELECTRIC SHOCK
DO NOT OPEN**

CAUTION:
TO PREVENT THE RISK OF ELECTRIC SHOCK, DO NOT REMOVE COVER (OR BACK). NO USER-SERVICEABLE PARTS INSIDE. REFER SERVICING TO QUALIFIED SERVICE PERSONNEL.



The exclamation point within an equilateral triangle is intended to alert the user to the presence of important operating and maintenance (servicing) instructions in the literature accompanying the appliance.

IMPORTANT SAFETY INSTRUCTIONS

- 1) Read these instructions.
- 2) Keep these instructions.
- 3) Heed all warnings.
- 4) Follow all instructions.
- 5) Do not use this apparatus near water.
- 6) Clean only with dry cloth.
- 7) Do not block any ventilation openings. Install in accordance with the manufacturer's instructions.
- 8) Do not install near any heat sources such as radiators, heat registers, stoves, or other apparatus (including amplifiers) that produce heat.
- 9) Do not defeat the safety purpose of the polarized or grounding-type plug. A polarized plug has two blades with one wider than the other. A grounding type plug has two blades and a third grounding prong. The wide blade or the third prong are provided for your safety. If the provided plug does not fit into your outlet, consult an electrician for replacement of the obsolete outlet.
- 10) Protect the power cord from being walked on or pinched particularly at plugs, convenience receptacles, and the point where they exit from the apparatus.
- 11) Only use attachments/accessories specified by the manufacturer.
- 12) Use only with the cart, stand, tripod, bracket, or table specified by the manufacturer, or sold with the apparatus. When a cart is used, use caution when moving the cart/apparatus combination to avoid injury from tip-over.
- 13) Unplug this apparatus during lightning storms or when unused for long periods of time.
- 14) Refer all servicing to qualified service personnel. Servicing is required when the apparatus has been damaged in any way, such as power-supply cord or plug is damaged, liquid has been spilled or objects have fallen into the apparatus, the apparatus has been exposed to rain or moisture, does not operate normally, or has been dropped.



WARNING

This product equipped with a three-wire grounding (earthed) plug - a plug that has a third (grounding) pin. This plug only fits a grounding-type power outlet. If you are unable to insert the plug into an outlet, contact a licensed electrician to replace the outlet with a properly grounded one. Do not defeat the safety purpose of the grounding plug.

D3-4-2-1-6_A_En

WARNING

To prevent a fire hazard, do not place any naked flame sources (such as a lighted candle) on the equipment.

D3-4-2-1-7a_A_En

VENTILATION CAUTION

When installing this unit, make sure to leave space around the unit for ventilation to improve heat radiation. For the minimum space required, see page 16.

WARNING

Slots and openings in the cabinet are provided for ventilation to ensure reliable operation of the product, and to protect it from overheating. To prevent fire hazard, the openings should never be blocked or covered with items (such as newspapers, table-cloths, curtains) or by operating the equipment on thick carpet or a bed.

CAUTION

The POWER switch on this unit will not completely shut off all power from the AC outlet. Since the power cord serves as the main disconnect device for the unit, you will need to unplug it from the AC outlet to shut down all power. Therefore, make sure the unit has been installed so that the power cord can be easily unplugged from the AC outlet in case of an accident. To avoid fire hazard, the power cord should also be unplugged from the AC outlet when left unused for a long period of time (for example, when on vacation).

D3-4-2-2a_A_En

STANDBY/ON Button

STANDBY: When placed into the standby mode, the main power flow is cut and the unit is no longer fully operational.

STANDBY/ON Indicator

The indicator is lit red when the unit is in the standby mode and is lit blue when it is in the power-on mode.

WARNING: THE APPARATUS IS NOT WATERPROOF, TO PREVENT FIRE OR SHOCK HAZARD, DO NOT EXPOSE THIS APPLIANCE TO RAIN OR MOISTURE AND DO NOT PUT ANY WATER SOURCE NEAR THIS APPARATUS, SUCH AS VASE, FLOWER POT, COSMETICS CONTAINER AND MEDICINE BOTTLE ETC.

WARNING: Handling the cord on this product or cords associated with accessories sold with the product will expose you to chemicals listed on proposition 65 known to the State of California and other governmental entities to cause cancer and birth defect or other reproductive harm. **Wash hands after handling.**

Information to User

Alteration or modifications carried out without appropriate authorization may invalidate the user's right to operate the equipment.

[For Canadian model]

This Class B digital apparatus complies with Canadian ICES-003.

FEDERAL COMMUNICATIONS COMMISSION DECLARATION OF CONFORMITY

This device complies with part 15 of the FCC Rules. Operation is subject to the following two conditions: (1) This device may not cause harmful interference, and (2) this device must accept any interference received, including interference that may cause undesired operation.

Product Name: Plasma Display

Model Number: PRO-FHD1

Product Category: Class B Personal Computers & Peripherals

Responsible Party Name: PIONEER ELECTRONICS SERVICE, INC.

Address: 1925 E. DOMINGUEZ ST. LONG BEACH, CA 90801-1760, U.S.A.

Phone: 800-421-1625

For Business Customer URL

<http://www.PioneerUSA.com>

NOTE: This equipment has been tested and found to comply with the limits for a Class B digital device, pursuant to Part 15 of the FCC Rules. These limits are designed to provide reasonable protection against harmful interference in a residential installation.

This equipment generates, uses, and can radiate radio frequency energy and, if not installed and used in accordance with the instructions, may cause harmful interference to radio communications. However, there is no guarantee that interference will not occur in a particular installation. If this equipment does cause harmful interference to radio or television reception, which can be determined by turning the equipment off and on, the user is encouraged to try to correct the interference by one or more of the following measures:

- Reorient or relocate the receiving antenna.
- Increase the separation between the equipment and receiver.
- Connect the equipment into an outlet on a circuit different from that to which the receiver is connected.
- Consult the dealer or an experienced radio/TV technician for help.

D8-10-1-2_En

CAUTION: This product satisfies FCC regulations when shielded cables and connectors are used to connect the unit to other equipment. To prevent electromagnetic interference with electric appliances such as radios and televisions, use shielded cables and connectors for connections.

D8-10-3a_En

IMPORTANT NOTICE – THE SERIAL NUMBER FOR THIS EQUIPMENT IS LOCATED IN THE REAR. PLEASE WRITE THIS SERIAL NUMBER ON YOUR ENCLOSED WARRANTY CARD AND KEEP IN A SECURE AREA. THIS IS FOR YOUR SECURITY.

D1-4-2-6-1_En

CAUTION: This Model PRO-FHD1 for use only with PDK-TS23 stand. Use with other stand is may result in instability causing possible injury.

Thank you for buying this Pioneer product.

Please read through these operating instructions so you will know how to operate your model properly. After you have finished reading the instructions, put them away in a safe place for future reference.

In some countries or regions, the shape of the power plug and power outlet may sometimes differ from that shown in the explanatory drawings. However the method of connecting and operating the unit is the same.

01 Important User Guidance Information

02 Safety Precautions

03 Accessories

04 Supplied Accessories

05 Part Names

Main unit	13
Remote control unit	14
Connection panel	15

06 Preparation

Installing the Plasma Display	16
Preventing the Plasma Display from Falling Over	17
Connecting the power cord	18
How to route cables	19
Preparing the remote control unit	20
Inserting batteries	20
Cautions regarding batteries	20
Allowed operation range of the remote control unit	20
Cautions regarding the remote control unit	20

07 Operation

Plasma Display status indicators	21
Changing the volume and sound	21
Use the multiscreen functions	22
Splitting the screen	22
Confirming current status	22
AV Selection	22
Selecting a screen size manually	23

08 Menu Setup

Using the menu	24
AV mode menus	24
PC mode menus	24
Menu operations	24

09 Basic Adjustment Settings

Language setting	25
Basic picture adjustments	25
Advanced picture adjustments	25
Using PureCinema	25
Using Color Temp	26
Using CTI	26
Using Color Management	26
Reducing the noise in images	27
Using the Dynamic Range Expander (DRE) functions	27
Using the 3DYC and I-P Mode	27
Sound adjustments	28
FOCUS	28
Front Surround	28
Power Control	29

10 Useful Adjustment Settings

Switching the vertical drive frequency (AV mode only)	30
Adjusting image positions (AV mode only)	30
Adjusting image positions and clock automatically (PC mode only)	30
Adjusting image positions and clock manually (PC mode only)	30
Selecting an input signal type	31
Color system setting	31
Selecting a screen size automatically (AV mode only)	32
Selecting a screen size for received 4:3 aspect ratio signals (AV mode only) ...	32

11 Using External Equipment

Watching a decoder or VCR image	33
Connecting a decoder or VCR	33
Displaying a decoder or VCR image ..	33
Using HDMI Input	33
Connecting HDMI equipment	34
Using DVI Input	35
Connecting DVI equipment	35
Watching a DVD image	35
Connecting a DVD player	35
Displaying a DVD image	36
Enjoying a game console or watching camcorder images	36
Connecting a game console or camcorder	36
Displaying an image from the game console or camcorder	36
Watching an image from a personal computer	36
Connecting a personal computer	36
Displaying an image from a personal computer	36
Computer compatibility chart	37
Connecting control cords	37
About SR+	37

12 Appendix

Troubleshooting	38
Specifications	39

In order to obtain maximum enjoyment from this Pioneer PureVision PRO-FHD1 Plasma Display, please first read this information carefully.

With the Pioneer PureVision PRO-FHD1, you can be assured of a high quality Plasma Display with long-life and high reliability. To achieve images of exceptional quality, this Pioneer Plasma Display incorporates state-of-the-art design and construction, as well as very precise and highly advanced technology.

The Pioneer PureVision PRO-FHD1 incorporates the latest in color filter technology – Direct Color Filter. This improves the color/picture reproduction of these models as compared to previous models. It also eliminates the need for a physical glass panel to be placed in front of the plasma panel, which furthers Pioneer's continued goal of reducing environmental waste in consumer electronics, now during the manufacturing process and in the future during the recycling process.

Over the course of its lifetime, the luminosity of the Pioneer PRO-FHD1 Plasma Display will diminish very slowly, such as with all phosphor-based screens (for example, a traditional tube-type television). To enjoy beautiful and bright images on your Pioneer Plasma Display for a long time, please carefully read and follow the usage guidances below:

Usage guidelines

All phosphor-based screens (including conventional tube-type televisions) can be affected by displaying static images for a prolonged period. Plasma Display's are no exception to this rule. After-image and permanent effects on the screen can be avoided by taking some basic precautions. By following the recommendations listed below, you can ensure longer and satisfactory results from your plasma:

- Whenever possible, avoid frequently displaying the same image or virtually still moving pictures (e.g. closed-captioned images or video game images which have static portions).
- Avoid viewing the On Screen Display for extended periods, from a decoder, DVD player, VCR and all other components.
- Do not leave the same picture freeze-framed or paused continuously over a long period of time, when using the still picture mode from a TV, VCR, DVD player or any other component.
- Images which have both very bright areas and very dark areas side by side should not be displayed for a prolonged period of time.
- When playing a game, the "GAME" mode setting within "AV Selection" is strongly recommended. However, please limit its use to less than 2 hours at a time.
- After playing a game, or displaying a PC image or any still image, it is best to view a normal moving picture in the "WIDE" or "FULL" screen setting for more than 3 times the length of the previous still moving image.
- After using the Plasma Display, always switch the display to "STANDBY" mode.
- Extensive viewing of content with top, bottom, or side masks may cause uneven wear. After viewing masked content, it is recommended to view full screen motion video for an equal or greater amount of time.

Installation guidelines

The Pioneer PureVision PRO-FHD1 Plasma Display incorporates a very thin design. To ensure safety, please take the proper measures to mount or install the Plasma Display, in order to prevent the unit from tipping over in the event of vibration or accidental movement.

This product should be installed by using only parts and accessories designed by PIONEER. Use of accessories other than the PIONEER stand or installation bracket may result in instability, and could cause injury. For custom installation, please consult the dealer where the unit was purchased. To ensure correct installation, experienced and qualified experts must install the unit. PIONEER will not be held responsible for accident or damage caused by the use of parts and accessories manufactured by other companies.

To avoid malfunction and overheating, make sure that the vents on the main unit are not blocked when installing to ensure proper heat emission:

- Distance the unit slightly from other equipment, walls, etc. For the minimum space required around the unit, see page 16.
- Do not fit the unit inside narrow spaces where ventilation is poor.
- Do not cover with a cloth, etc.
- Clean the vents on the sides and rear of the unit to remove dust build-up, by using a vacuum cleaner set to its lowest suction setting.
- Do not place the product on a carpet or blanket.

Using the unit without proper ventilation may cause the internal temperature to rise, and could result in possible malfunction. When the surrounding or internal temperature exceeds a certain degree, the display will automatically power off in order to cool the internal electronics and prevent hazardous occurrences.

Any malfunction may occur due to: an inappropriate installation site, improper assembly, installation, mounting, or operation of this product, modifications made to the product. However, PIONEER cannot be held responsible for such accidents or malfunction.

NOTE

The following are typical effects and characteristics of a phosphor-based matrix display and as such, are not covered by the manufacturer's limited warranties:

- Permanent residual images upon the phosphors of the panel.
- The existence of a minute number of inactive light cells.
- Panel generated sounds, examples: Fan motor noise, and electrical circuit humming / glass panel buzzing

CAUTION

PIONEER bears no responsibility for any damage arising from incorrect use of the product by you or other people, malfunctions when in use, other product related problems, and use of the product except in cases where the company must be liable.

Plasma Display protection function

When still images (such as photos and computer images) stay on the screen for an extended period of time, the screen will be slightly dimmed. This is because the protection function of the Plasma Display automatically adjusts the brightness to protect the screen when detecting still images. The screen is dimmed when a still image is detected for about three minutes.

Information of cell defect

Plasma screens display information using cells. Pioneer Plasma Display panels contain a very large number of cells. (Depending on the panel size; over 6.2 million cells.) All Pioneer display panels are manufactured using a very high level of ultra-precision technology and undergo individual quality control.

In rare cases, some cells can be permanently switched off, or on, resulting in either a black or colored cell permanently fixed on the screen.

This effect is common to all Plasma Displays because it is a consequence of the technology.

If the defective cells are visible at a normal viewing distance of between 2.5 and 3.5 meters while viewing a normal broadcast (i.e. not a test card, still image or single color display) please contact Pioneer Customer Support Div. (USA) or Customer Satisfaction Dept. (CANADA). See back cover.

If, however, they can only be seen close up or during single color displays then this is considered normal for this technology.

Infrared rays

The Plasma Display releases infrared rays because of its characteristics. Depending on how the Plasma Display is in use, the remote controls of nearby equipment may be adversely affected or wireless headphones using infrared rays are interfered by noise. If this is the case, place that equipment at a location where its remote control sensor is not affected.

Radio interference

While this product meets the required specifications, it emits a small amount of noise. If you place such equipment as an AM radio, personal computer, and VCR close to this product, that equipment may be interfered. If this happens, place that equipment far enough from this product.

Plasma Display driving sound

The screen of the Plasma Display is composed of extremely fine pixels and these pixels emit light according to received video signals. This principle may make you hear buzz sound or electrical circuit humming from the Plasma Display.

Do not attach such items as labels and tape to the product

- This may result in the discolouration or scratch of the cabinet.

When not using the product for a long period of time

- If you do not use the product for a long period of time, the functions of the product may be adversely affected. Switch on and run the product occasionally.

Condensation

- Condensation may take place on the surface or inside of the product when the product is rapidly moved from a cold place to a warm place or just after a heater is switched on in winter morning, for example. When condensation takes place, do not switch on the product and wait until condensation disappears. Using the product with condensation may result in malfunction.

Cleaning the surface of the screen and the glossy surface of the front cabinet

- When cleaning the surface of the screen or the glossy surface of the front cabinet, gently wipe it with a dry soft cloth; the supplied cleaning cloth or other similar cloths (e.g., cotton and flannel). If you use a dusty or hard cloth or if you rub the screen hard, the surface of the product will be scratched.
- If you clean the surface of the screen with a wet cloth, water droplets on the surface may enter into the product, resulting in malfunction.

Cleaning the cabinet

- When cleaning the cabinet of this product, gently wipe it with a clean soft cloth (e.g., cotton and flannel). If you use a dusty or hard cloth or if you rub the cabinet hard, the surface of the cabinet will be scratched.
- The cabinet of this product is mostly composed of plastic. Do not use chemicals such as benzene or thinner to clean the cabinet. Using these chemicals may result in quality deterioration or coating removal.
- Do not expose the product to volatile gas or fluid such as pesticide. Do not make the product contact with rubber or vinyl products for a long period of time. The effect of plasticizer in the plastic may result in quality deterioration or coating removal.
- If you clean the surface of the cabinet with a wet cloth, water droplets on the surface may enter into the product, resulting in malfunction.

Handles at the rear of the Plasma Display

- Do not remove the handles from the rear of the Plasma Display.
- When moving the Plasma Display, ask another person for help and use the handles attached to the rear of the Plasma Display. Do not move the Plasma Display by holding only a single handle. Use the handles as shown.
- Do not use the handles to hang the product when installing the product. Do not use the handles for the purpose of preventing the product from tilting over.

 **CAUTION****Panel sticking and after-image lag**

- Displaying the same images such as still images for a long time may cause after-image lagging. This may occur in the following two cases.

1 After-image lagging due to remaining electrical load

When image patterns with very high peak luminance are displayed for more than 1 minute, after-image lagging may occur due to the remaining electric load. The after-images remaining on the screen will disappear when moving images are displayed. The time for the after-images to disappear depends on the luminance of the still images and the time they had been displayed.

2 After-image (lag image) due to burning

Avoid displaying the same image on the Plasma Display continuously over a long period of time.

This includes those images displayed in the following screen modes: multiscreen function, screen size 4:3, screen size FULL 14:9, screen size CINEMA 14:9, screen size Dot by Dot (except when the input size is 1920x1080), and images with black bands at top/bottom or right/left.

If the same image is displayed continuously for several hours, or for shorter periods of time over several days, a permanent after-image may remain on the screen due to burning of the fluorescent materials. Such images may become less noticeable if moving images are later displayed, but they will not disappear completely.

- The energy save function can be set to help prevent damage from screen burning (see page 29).

Image Retention

When a static image is left frozen on a display for several hours, a faint imprint of the image, known as image retention, can remain. This image retention may be temporary or permanent. Although caused by different things, image retention can occur on all display technologies, including plasma and LCD. On today's plasma displays, permanent image retention is less of a worry. Most image retention can be improved simply by watching moving video.

Image retention, also known as burn-in, can occur in all phosphor-based display systems (including CRT television systems -both direct view and projection- as well as plasma display systems). Displaying the same still images for long periods should be avoided as permanent image retention or burn-in may occur. Recommended guidelines are as follows:

Do not display static images for long periods (such as still images, fixed images from PC or TV game equipment, and/or fixed images such as time of day indicator or channel logo display).

Do not display content in the 4:3 aspect ratio (black or gray bars on left and right side of content) or letter-box content (black bars above and below content) for extended periods of time, or use either of these viewing modes repeatedly within a short period of time. This plasma display system is equipped with multiple wide-screen viewing modes; use one of these screen modes to fill the entire screen with content.

Displaying dark images after displaying still images for a period of time may cause image retention. In most cases, the image retention can be corrected by displaying bright images for a similar period of time.

If you display still images on your plasma display system for long periods of time, image retention may be irreparable.

Electricity is used to perform many useful functions, but it can also cause personal injuries and property damage if improperly handled. This product has been engineered and manufactured with the highest priority on safety. However, improper use can result in electric shock and/or fire. In order to prevent potential danger, please observe the following instructions when installing, operating and cleaning the product. To ensure your safety and prolong the service life of your product, please read the following precautions carefully before using the product.

1. Read instructions — All operating instructions must be read and understood before the product is operated.
2. Keep this manual in a safe place — These safety and operating instructions must be kept in a safe place for future reference.
3. Observe warnings — All warnings on the product and in the instructions must be observed closely.
4. Follow instructions — All operating instructions must be followed.
5. Cleaning — Unplug the power cord from the AC outlet before cleaning the product. To clean the product, use the supplied cleaning cloth or other soft clothes (e.g., cotton, flannel). Do not use liquid cleaners or aerosol cleaners.
6. Water and moisture — Do not use the product near water, such as bathtub, washbasin, kitchen sink and laundry tub, swimming pool and in a wet basement.
7. Stand — Do not place the product on an unstable cart, stand, tripod or table. Placing the product on an unstable base can cause the product to fall, resulting in serious personal injuries as well as damage to the product. Use only a cart, stand, tripod, bracket or table recommended by the manufacturer or sold with the product. When mounting the product on a wall, be sure to follow the manufacturer's instructions. Use only the mounting hardware recommended by the manufacturer.
8. When relocating the product placed on a cart, it must be moved with utmost care. Sudden stops, excessive force and uneven floor surface can cause the product to fall from the cart.



9. Ventilation — The vents and other openings in the cabinet are designed for ventilation. Do not cover or block these vents and openings since insufficient ventilation can cause overheating and/or shorten the life of the product. Do not place the product on a bed, sofa, rug or other similar surface, since they can block ventilation openings. This product is not designed for built-in installation; do not place the product in an enclosed place such as a bookcase or rack, unless proper ventilation is provided or the manufacturer's instructions are followed.
10. Power source — This product must operate on a power source specified on the specification label. If you are not sure of the type of power supply used in your home, consult your dealer or local power company.
11. Power cord protection — The power cords must be routed properly to prevent people from stepping on them or objects from resting on them. Check the cords at the plugs and product.

12. The Plasma Display used in this product is made of glass. Therefore, it can break when the product is dropped or applied with impact. Be careful not to be injured by broken glass pieces in case the Plasma Display breaks.
13. Overloading — Do not overload AC outlets or extension cords. Overloading can cause fire or electric shock.
14. Entering of objects and liquids — Never insert an object into the product through vents or openings. High voltage flows in the product, and inserting an object can cause electric shock and/or short internal parts. For the same reason, do not spill water or liquid on the product.
15. Servicing — Do not attempt to service the product yourself. Removing covers can expose you to high voltage and other dangerous conditions. Request a qualified service person to perform servicing.
16. Repair — If any of the following conditions occurs, unplug the power cord from the AC outlet, and request a qualified service person to perform repairs.
 - a. When the power cord or plug is damaged.
 - b. When a liquid was spilled on the product or when objects have fallen into the product.
 - c. When the product has been exposed to rain or water.
 - d. When the product has been dropped or damaged.
 - e. When the product displays an abnormal condition. Any noticeable abnormality in the product indicates that the product needs servicing.
17. Replacement parts — In case the product needs replacement parts, make sure that the service person uses replacement parts specified by the manufacturer, or those with the same characteristics and performance as the original parts. Use of unauthorized parts can result in fire, electric shock and/or other danger.
18. Safety checks — Upon completion of service or repair work, request the service technician to perform safety checks to ensure that the product is in proper operating condition.
19. Wall or ceiling mounting — When mounting the product on a wall or ceiling, be sure to install the product according to the method recommended by the manufacturer.
20. Heat sources — Keep the product away from heat sources such as radiators, heaters, stoves and other heat-generating products (including amplifiers).
21. Unplug the power cord from the AC outlet before installing the speakers.
22. Never expose the screen of the Plasma Display to a strong impact, for example, by hitting it. The screen may be broken, resulting in fire or personal injury.
23. Do not expose the Plasma Display to direct sunlight for a long period of time. The optical characteristics of the front protection panel changes, resulting in discolouration or warp.
24. The Plasma Display weighs about 39.8 kg. Because it has small depth and is unstable, unpack, carry, and install the product with one more person at least and use the handles.

Installation using the optional PIONEER stand or installation bracket

- Please be sure to request installation or mounting of this unit or the installation bracket by an installation specialist or the dealer where purchased.
- When installing, be sure to use the bolts provided with the stand or installation bracket.
- For details concerning installation, please refer to the instruction manual provided with the stand or installation bracket.

Installation using accessories other than the PIONEER stand or installation bracket (sold separately)

- When possible, please install using parts and accessories manufactured by PIONEER. PIONEER will not be held responsible for accident or damage caused by the use of parts and accessories manufactured by other companies.
- For custom installation, please consult the dealer where the unit was purchased, or a qualified installer.

Wall-mount installation of the unit

This unit has been designed with bolt holes for wall-mount installation, etc. The installation holes provided are shown in the accompanying illustration.

- Be sure to attach in 4 or more locations above and below, left and right of the center line.
- Use bolts that are long enough to be inserted 12 mm to 18 mm (1/2 in. to 11/16 in.) into the main unit from the attaching surface. Refer to the side view diagram in the accompanying illustration.
- As this unit is constructed with glass, be sure to install it on a flat, unwarped surface.

CAUTION

To avoid malfunction, overheating of this unit, and possible fire hazard, make sure that the vents on the main unit are not blocked when installing. Also, as hot air is expelled from the air vents, be careful of deterioration and dirt build up on rear surface wall, etc.

CAUTION

Please be sure to use an M8 (Pitch = 1.25 mm) (1/16 in.) bolt. (Only this size bolt can be used.)

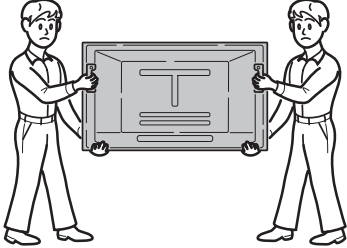
CAUTION

This unit incorporates a thin design. To ensure safety if vibrated or shaken, please be sure to take measures to prevent the unit from tipping over.

Safety Precautions

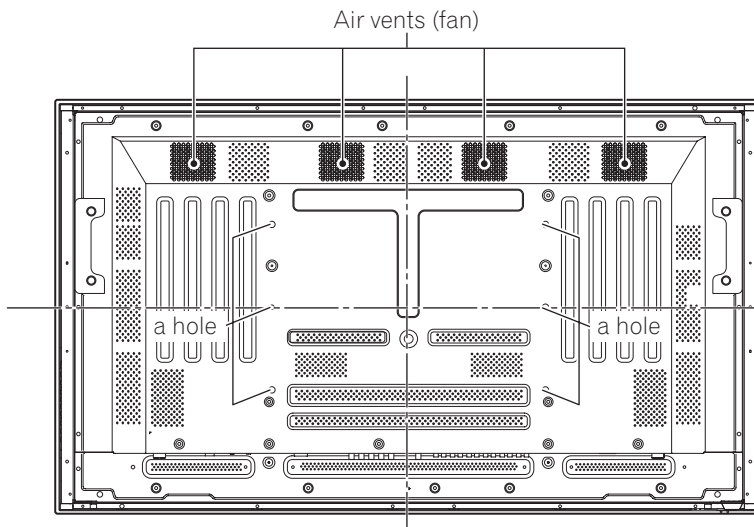
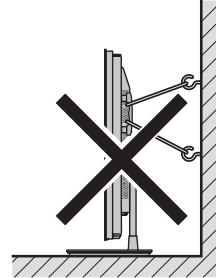
CAUTION

- Handles should not be removed or reattached by anyone other than the professional installation technician or service personnel.
- When moving the display, it should always be carried by two persons holding the rear handles in the manner shown.



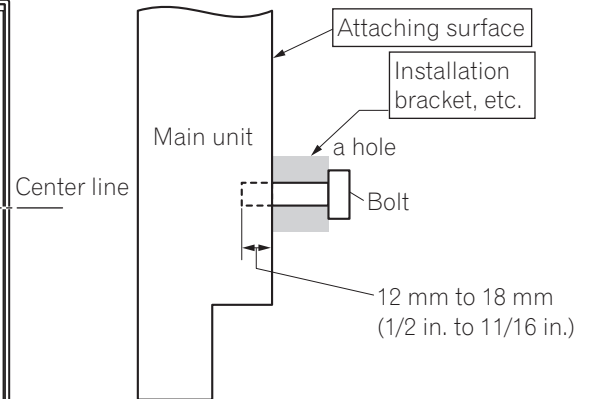
NO!

- Never attempt to move the Plasma Display by holding only one of the handles.
- When installing the Plasma Display, do not use the handles as means of hanging the display; also do not use them as devices to prevent tipping over (see illustration).



Center line

Rear view diagram



Side view diagram

- For details, please consult the dealer where this unit was purchased.

1 Table top stand (PDK-TS23):

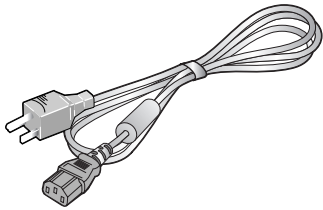
PRO-FHD1 display stand.

2 Wall installation unit:

Wall installation bracket designed as a wall interface for securing the unit.

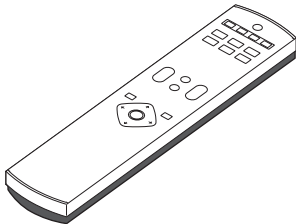
Supplied Accessories

1 Power cord (2 m/6.6 feet)

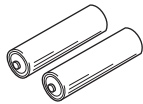


Only the power cord that is appropriate in your country or region is supplied.

2 Remote control unit



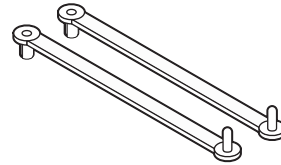
3 AA (R6) batteries (x 2)



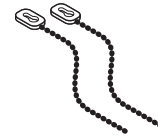
4 Cleaning cloth



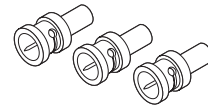
5 Speed clamps (x 2)



6 Bead bands (x 2)

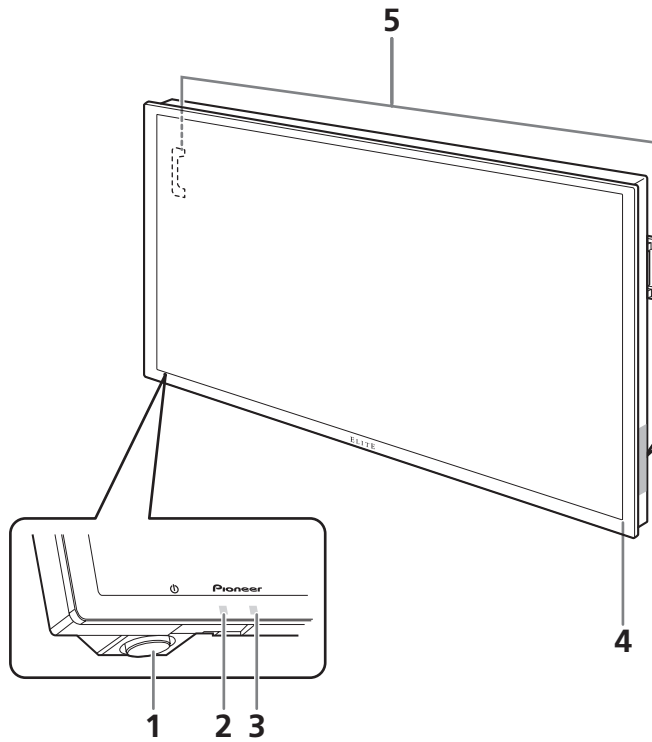


7 BNC/Pin conversion adaptor (x 3)

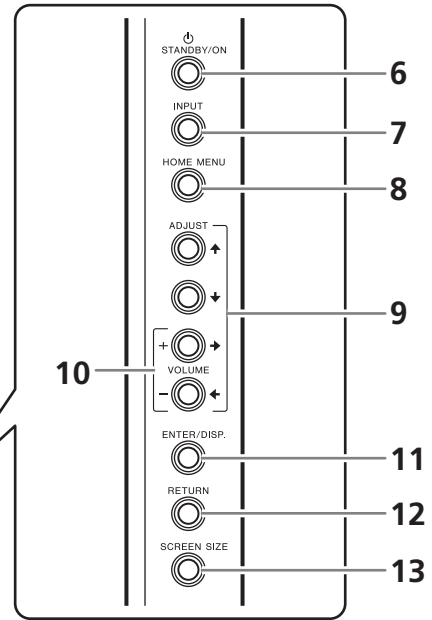


- These Operating Instructions
- Warranty

Main unit



Operation panel on the main unit



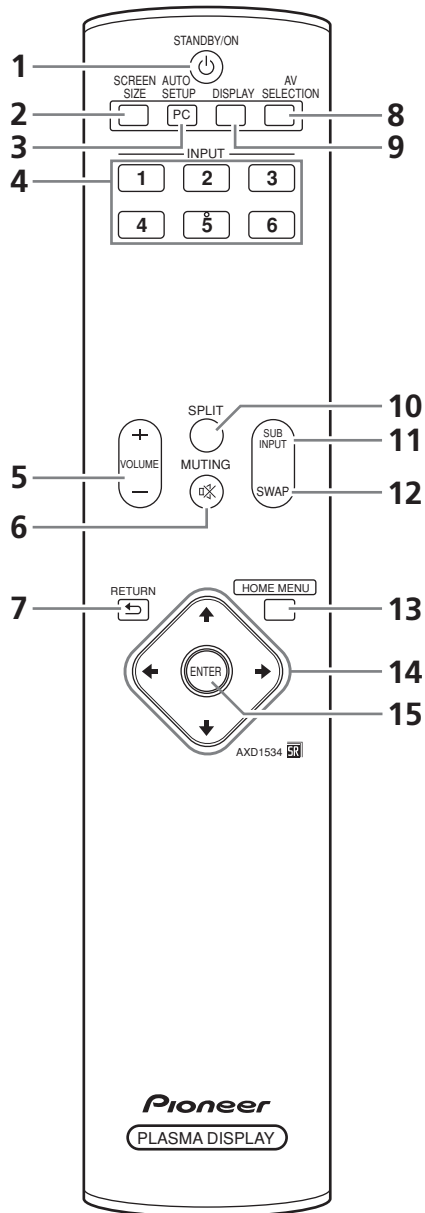
Main unit

- 1 **MAIN POWER** switch
- 2 **ON** indicator
- 3 **STANDBY** indicator
- 4 Remote control sensor
- 5 Handles

Operation panel on the main unit

- 6 **STANDBY/ON** button
- 7 **INPUT** button
- 8 **HOME MENU** button
- 9 **ADJUST** (↑/↓/←/→) buttons
- 10 **VOLUME +/-** buttons
- 11 **ENTER/DISP.** button
- 12 **RETURN** button
- 13 **SCREEN SIZE** button

Remote control unit

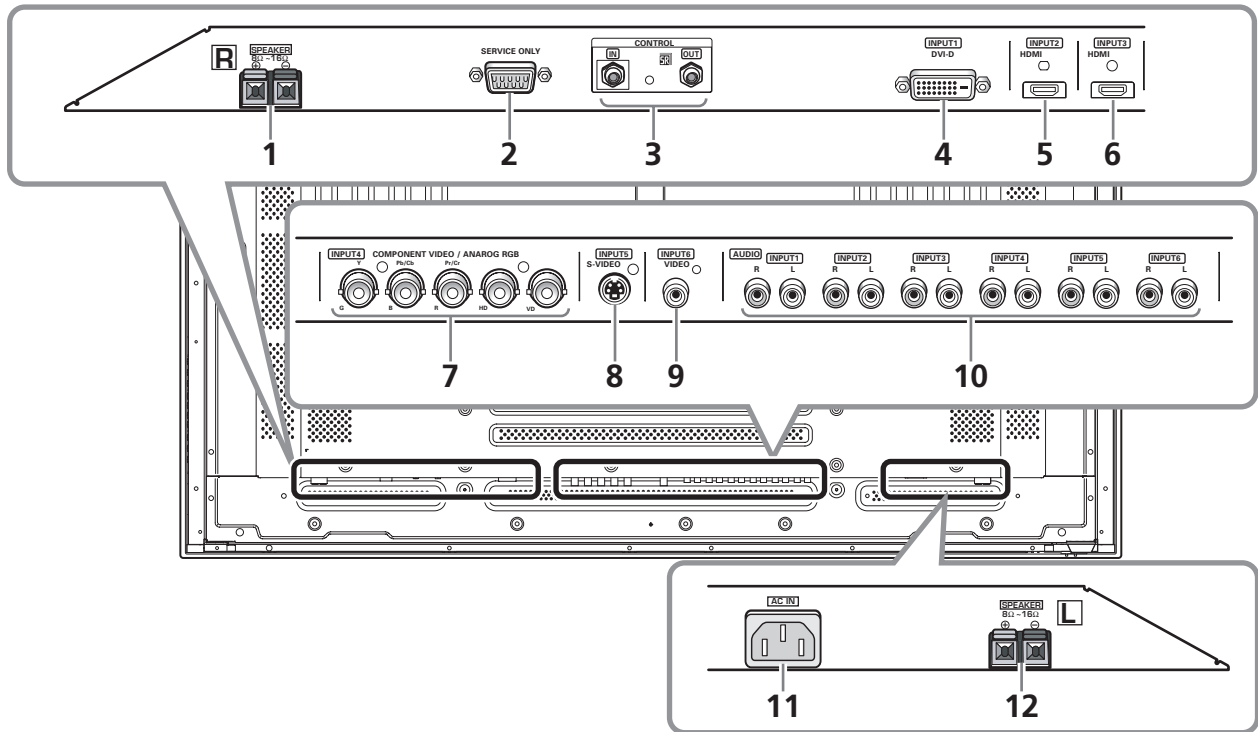


- 1 STANDBY/ON** button
Press to put the unit in operation or standby mode (page 21).
- 2 SCREEN SIZE** button
Press to select the screen size (page 23).
- 3 PC AUTO SET UP** button
When using computer signal input, automatically sets the "Position", "Clock" and "Phase" to optimum values (page 30).
- 4 INPUT 1 to 6** buttons
Press to select the input (page 31).
- 5 VOLUME (+/-)** buttons
Use to adjust the volume (page 21).
- 6 MUTING** button
Press to mute the volume (page 21).
- 7 RETURN** button
Restores the previous menu screen (pages 24 to 27).
- 8 AV SELECTION** button
Use to select the AV function (page 22).
- 9 DISPLAY** button
Press to view the unit's current input and setup mode (page 22).
- 10 SPLIT** button
Press to switch to multi-screen display (page 22).
- 11 SUB INPUT** button
During multi-screen display, use this button to change inputs to subscreens (page 22).
- 12 SWAP** button
During multi-screen display, use this button to switch between main screen and subscreen (page 22).
- 13 HOME MENU** button
Press to open and close the on-screen menu (pages 24 to 37).
- 14 ADJUST (▲/▼/◀/▶)** buttons
Use to navigate menu screens and to adjust various settings on the unit (pages 24 to 37).
- 15 ENTER** button
Press to adjust or enter various settings on the unit (pages 24 to 37).

When handling the remote control unit

- Do not drop the remote control unit or expose it to moisture.
- Do not use the remote control unit in a location subject to direct sunlight, heat radiation from a heater, or in a place subject to excessive humidity.
- When the remote control unit's batteries begin to wear out, the operable distance will gradually become shorter. When this occurs, replace all batteries with new ones as soon as possible.

Connection panel



1 SPEAKER (R) terminals

For connection of an external right speaker.
Connect a speaker that has an impedance of 8 Ω to 16 Ω .

2 Terminal for Service Adjustments (used for factory setup)

Never connect any component to these connectors without first consulting your Pioneer installation technician.

These connectors are used for Plasma Display setup adjustments.

3 CONTROL IN/OUT terminals

4 INPUT1 terminal (DVI-D)

5 INPUT2 terminal (HDMI)

6 INPUT3 terminal (HDMI)

7 INPUT4 terminals

(COMPONENT VIDEO: Y, Pb/Cb, Pr/Cr,
ANALOG RGB : G, B, R, HD, VD)

8 INPUT5 terminal (S-VIDEO)

9 INPUT6 terminal (VIDEO)

10 AUDIO INPUT terminals

Audio input connectors corresponding to INPUT1 to INPUT6 video input connectors.

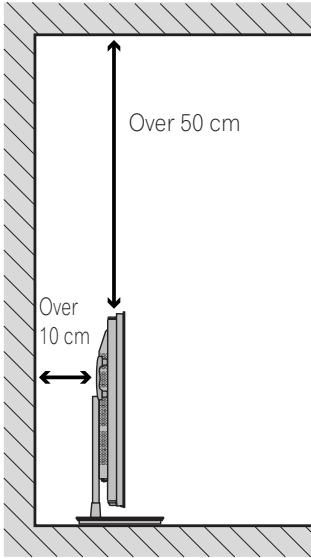
11 AC IN

Use to connect the supplied power cord to an AC outlet.

12 SPEAKER (L) terminals

For connection of an external left speaker. Connect a speaker that has an impedance of 8 Ω to 16 Ω .

Installing the Plasma Display



Location

- Avoid direct sunlight. Maintain adequate ventilation.
- Because the Plasma Display is heavy, be sure to have someone help you when moving it.

NOTE

- Allow enough space around the upper and back parts when installing to ensure adequate ventilation of the rear of the unit.

Using the optional PIONEER stand

- For details on installation, refer to the instruction manual supplied with the stand.

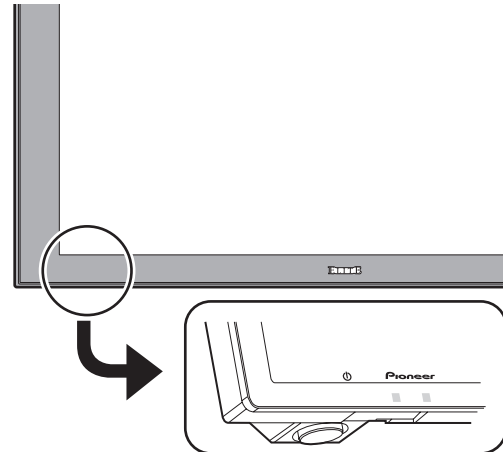
CAUTION

Operating Environment

Operating environment temperature and humidity:
+0 °C to +40 °C; less than 85 % RH (cooling vents not blocked)

Do not install this unit in a poorly ventilated area, or in locations exposed to high humidity or direct sunlight (or strong artificial light)

CAUTION



The lower left section of the display unit shown in the illustration above is the location of the MAIN POWER switch and certain parts required for display, and the contour involves a raised projection.

As a result, when transporting and installing the unit, take adequate precautions not to subject this area to impact or unreasonable force, since damage to the parts may result.

Preparation

Preventing the Plasma Display from Falling Over

After installing the stand, be sure to take special care to ensure that the Plasma Display will not fall over.

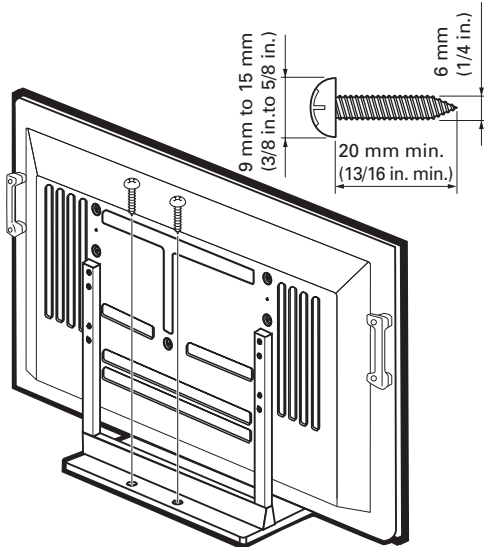
Stabilizing on a table or floor

Stabilize the Plasma Display as shown in the diagram using screws that are available on the market.



NOTE

To stabilize the Plasma Display on a table or on the floor, use screws that have a nominal diameter of 6 mm (1/4 in.) and that are at least 20 mm (13/16 in.) long.



CAUTION

A table or an area of the floor with adequate strength should always be used to support the Plasma Display. Failure to do so could result in personal injury and physical damage. When installing the Plasma Display, please take the necessary safety measures to prevent it from falling or overturning in case of emergencies, such as earthquakes, or of accidents. If you do not take these precautions, the Plasma Display could fall down and cause injury.

The screws, hooks, chains and other fittings that you use to secure the Plasma Display to prevent it from overturning will vary according to the composition and thickness of the surface to which it will be attached.

Select the appropriate screws, hooks, chains, and other fittings after first inspecting the surface carefully to determine its thickness and composition and after consulting a professional installer if necessary.

Using a wall for stabilization

1. **Attach falling prevention bolts (hooks) to the Plasma Display.**
2. **Use strong cords or chains to stabilize it appropriately and firmly to a wall, pillar, or other sturdy element.**

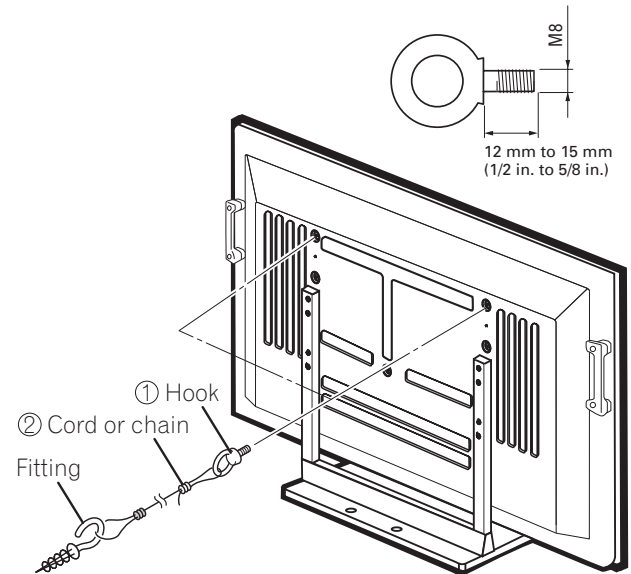
- Perform this work in the same way on the left and right sides.



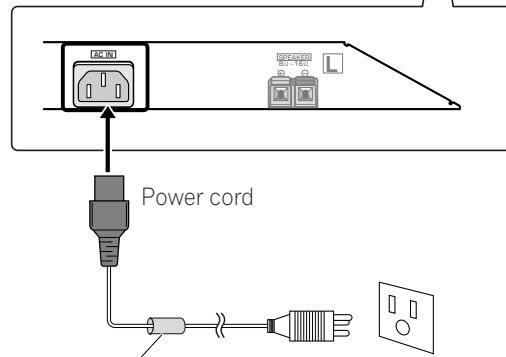
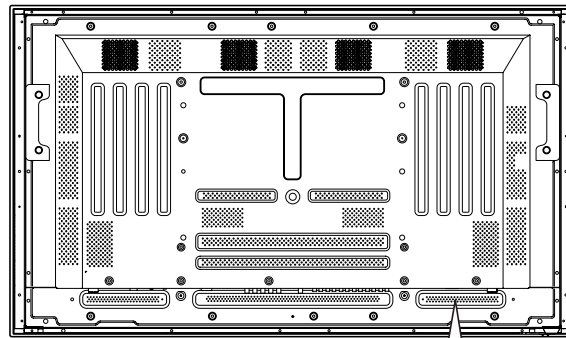
NOTE

Use hooks, ropes, chains, and fittings that are available on the market.

Recommended hook: Nominal diameter 8 mm (3/8 in.) Length 12 mm to 15 mm (1/2 in. to 5/8 in.)



Connecting the power cord



Noise filter
Partially eliminates noise caused by the power source.

⚠ CAUTION

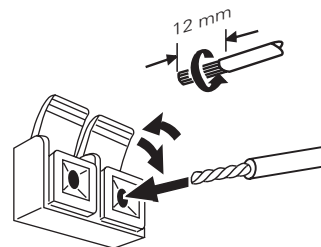
- Use only the supplied power cord.
- Be sure to use the specified power supply voltage; neglecting this can result in fire or electric shock.
- For the Plasma Display, a three-core power cord with a ground terminal is used for efficient protection. Always connect the power cord to a three-pronged outlet and make sure that the cord is properly grounded.

🔧 NOTE

- Always turn off the power of the Plasma Display when connecting or disconnecting power cords.
- When not using this unit for extended periods, disconnect the power cord from its outlet.

Connecting the speakers

This unit is equipped with speaker output terminals. Consult the accompanying illustration when connecting your own speakers.



Twist exposed wire strands together.

Push tab to the open position, and insert the wire. Then, close tab firmly to secure the wire in place.

🔧 NOTE

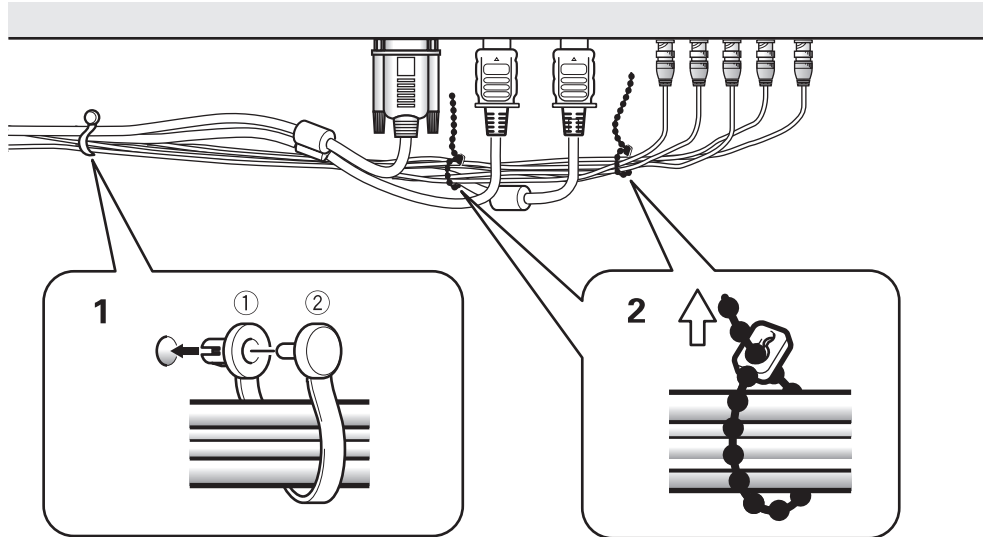
- When connecting speakers, be sure to connect the speaker's positive (+) and negative (-) terminals to the same terminals on this unit. Proper sound will not be produced if the (+) and (-) polarities are not connected correctly.
- This unit supports the use of speakers with 8 Ω to 16 Ω impedance.

Preparation

How to route cables

Speed clamps and bead bands are included with this unit for bunching cables together. Once components are connected, follow the following steps to route cables.

* As viewed from the rear of the display.



1. Organize cables together using the provided speed clamps.

Insert ① into an appropriate hole on the rear of the unit, then snap ② into the back of ① to fix the clamp.

Speed clamps are designed to be difficult to undo once in place. Please attach carefully.

2. Bunch separated cables together and secure them with the provided bead bands.

Do not allow excessive stress to be placed on the ends of cables.

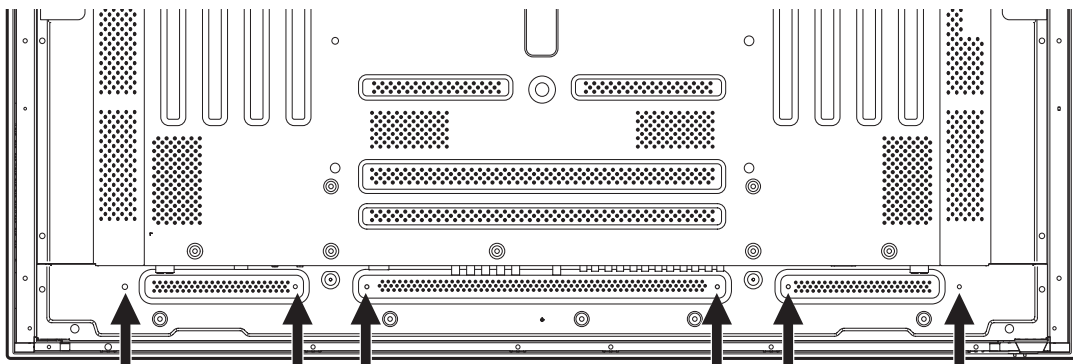
NOTE

- Cables can be routed to the right or left.

To attach the speed clamps to the main unit

Connect the speed clamps using the 6 holes marked with "o" below, depending on the situation.

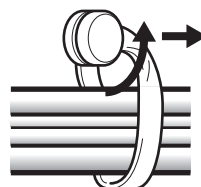
* As viewed from the rear of the display.



To remove speed clamps

Using pliers, twist the clamp 90° and pull it outward.

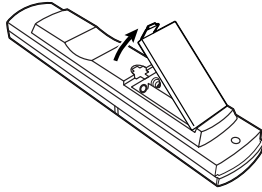
In some cases the clamp may have deteriorated over time and may get damaged when removed.



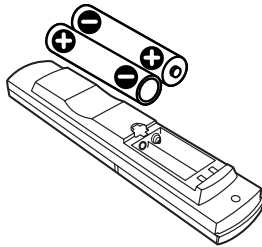
Preparing the remote control unit

Inserting batteries

- 1 Open the battery cover.

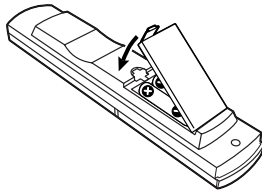


- 2 Load the supplied two AA size batteries while inserting their respective negative polarity (–) ends first.



- Place batteries with their terminals corresponding to the (+) and (–) indicators in the battery compartment.

- 3 Close the battery cover.



Cautions regarding batteries

Improper use of batteries can result in chemical leakage or explosion. Be sure to follow the instructions below.

- When you replace the batteries, use manganese or alkaline ones.
- Place the batteries with their terminals corresponding to the (+) and (–) indicators.
- Do not mix batteries of different types. Different types of batteries have different characteristics.
- Do not mix old and new batteries. Mixing old and new batteries can shorten the life of new batteries or cause chemical leakage in old batteries.
- Remove batteries as soon as they have worn out. Chemicals that leak from batteries can cause a rash. If you find any chemical leakage, wipe thoroughly with a cloth.
- The batteries supplied with this product may have a shorter life expectancy due to storage conditions.
- If you will not use the remote control unit for an extended period of time, remove the batteries from it.

WARNING

- **Do not use or store batteries in direct sunlight or other excessively hot place, such as inside a car or near a heater. This can cause batteries to leak,**

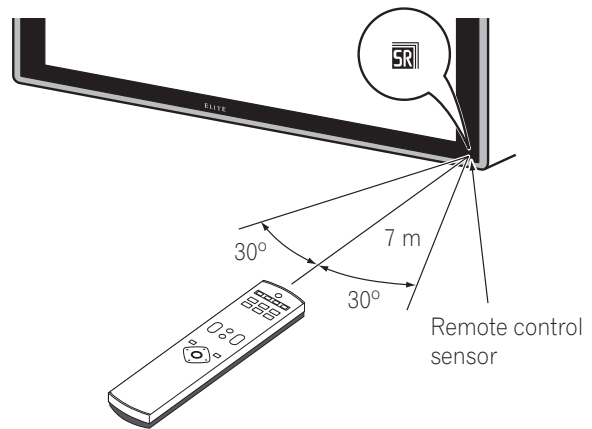
overheat, explode or catch fire. It can also reduce the life or performance of batteries.

CAUTION

- **WHEN DISPOSING OF USED BATTERIES, PLEASE COMPLY WITH GOVERNMENTAL REGULATIONS OR ENVIRONMENTAL PUBLIC INSTRUCTION'S RULES THAT APPLY IN YOUR COUNTRY/AREA.**

Allowed operation range of the remote control unit

Operate the remote control unit while pointing it toward the remote control sensor (SR) located at the bottom right of the front panel of the Plasma Display. The distance from the remote control sensor must be within 7 m and the angle relative to the sensor must be within 30 degrees in the right, left, upward, or downward direction.

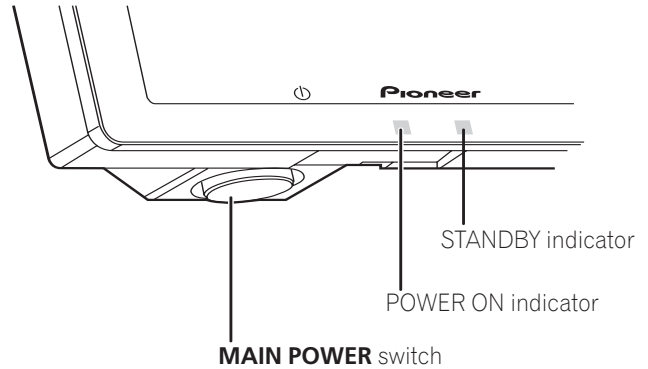


Cautions regarding the remote control unit

- Do not expose the remote control unit to shock. In addition, do not expose the remote control unit to liquids, and do not place in an area with high humidity.
- Do not install or place the remote control unit under direct sunlight. The heat may cause deformation of the unit.
- The remote control unit may not work properly if the remote control sensor of the Plasma Display is under direct sunlight or strong lighting. In such case, change the angle of the lighting or Plasma Display, or operate the remote control unit closer to the remote control sensor.
- When any obstacle exists between the remote control unit and the remote control sensor, the remote control unit may not function.
- As the batteries become empty, the remote control unit can function within a shorter distance from the remote control sensor. Replace the batteries with new ones early enough.
- The Plasma Display emits very weak infrared rays from its screen. If you place such equipment operated through infrared remote control as a VCR nearby, that equipment may not receive commands from its remote control unit properly or entirely. If this is the case, place that equipment at a location far enough from the Plasma Display.
- Depending on the installation surroundings, this unit's remote control unit may be influenced by the infrared rays discharged from the Plasma Display, hampering reception of its rays or limiting its operational distance. The strength of infrared rays discharged from the screen will differ according to the picture displayed.

Plasma Display status indicators

The table below shows the operational status of the Plasma Display. You can check the current status of the Plasma Display with the indicators on the Plasma Display.



Indicator Status		Plasma Display Status
POWER ON	STANDBY	
●	●	The power cord of the Plasma Display has been disconnected. Or, the power cord of the Plasma Display has been connected but the MAIN POWER switch of the Plasma Display is off.
☀	●	Power to the Plasma Display is on.
●	☀	The Plasma Display is in the standby mode.
☀ Flashing	●	With the Power Management function (page 29) set to "On", no signal was detected, with the result that the unit switched to the standby mode. The unit will turn back ON, under one of the following conditions: <ul style="list-style-type: none"> • The main unit's INPUT is pressed; • One of the remote control unit's INPUT 1 to INPUT 6 is pressed; • An input signal is detected once again.
(Repeatedly lights 1 second, then goes out 1 second)		
●	☀ Flashing	The unit's protection circuit may have operated. Press the MAIN POWER switch to turn the unit off, then wait one minute before turning the unit on again.
(The indicator will light 1 second, then go out for 1 second; after several repeats, the indicator will go out for 2.5 seconds, and then the cycle will repeat.)		
☀ Flashing	●	
(The indicator will light 1 second, then go out for 1 second; after several repeats, the indicator will go out for 2.5 seconds, and then the cycle will repeat.)		

For other than the above, see *Troubleshooting* on page 38.

Changing the volume and sound

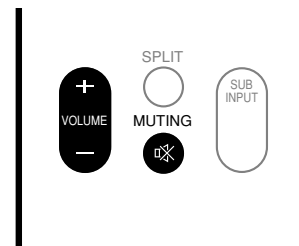
Using VOLUME +/-

- To increase the volume, press VOLUME +.
- To decrease the volume, press VOLUME -.

Using MUTING on the remote control unit

MUTING mutes the current sound output.

- 1 Press **MUTING**.
 - **MUTING** appears on the screen.
- 2 Press **MUTING** again to cancel the mute mode.
 - Pressing VOLUME + also cancels the mute mode.



Volume adjustment



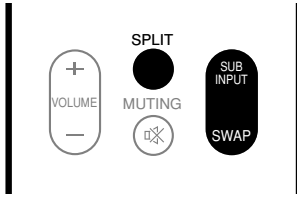
Muting



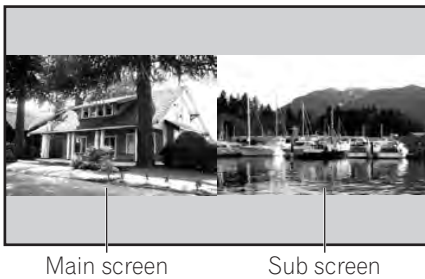
Use the multiscreen functions

Splitting the screen

Use the following procedure to select 2-screen mode.



- 1 Press the remote control unit's **SPLIT**.
The main screen is displayed on the left and the subscreen on the right.

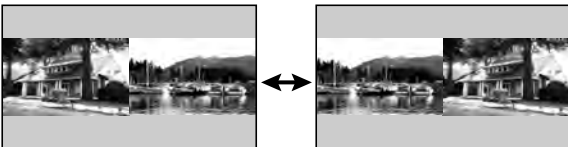


- 2 Press the remote control unit's **SUB INPUT** to select the subscreen input source.

To exchange the main screen and subscreen inputs

Press the remote control unit's **SWAP**.

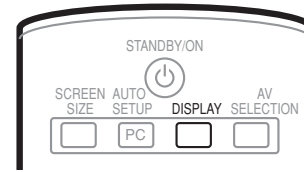
The right and left sides of the display will switch; what was previously the main screen will now show the subscreen, and vice versa.



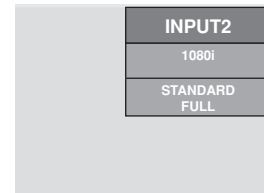
NOTE

- The multiscreen function cannot display images from the same input source at the same time. If you make such an attempt, a warning message appears.
- The multiscreen function cannot display images from INPUT2 and INPUT3 simultaneously. If you make such an attempt, a warning message appears.
- When you press **HOME MENU** the single-screen mode is restored and the corresponding menu is displayed.
- When in the 2-screen mode, images displayed on the right screen may look less fine, depending on the images.
- If you select 1920*1080p@24 Hz for the main screen in the 2-screen mode, video images may not be displayed properly because of the Plasma Display's capability.
- PAL 60 signals are not suited for image display on the Sub screen.
- If the multiscreen function is used continuously for several hours, or for shorter periods of time over several days, a permanent after-image may remain on the screen due to burning of the fluorescent materials.

Confirming current status



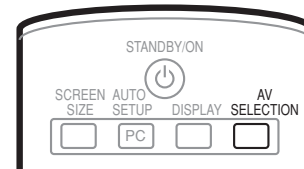
- 1 Press the remote control unit's **DISPLAY**.
The currently selected input source and settings will be displayed.
Display example: Under normal conditions (with video signal input)



AV Selection

Select from the five viewing options, depending on the current environment (e.g., room brightness), the type of images input from external equipment.

Each time the remote control unit's **AV SELECTION** is pressed, the AV function alternates.



For AV source

Item	Description
STANDARD	For a highly defined image in a normally bright room You can set the mode for each input source.
DYNAMIC	For a very sharp image with the maximum contrast This mode does not allow manual image quality adjustment.
MOVIE	For a movie You can set the mode for each input source.
GAME	Lowers image brightness for easier viewing You can set the mode for each input source.
USER	Allows the user to customize settings as desired. You can set the mode for each input source.
PURE	Reflects input signals as faithfully as possible. You may select this option to check image materials, for example.

For PC source

Item	Description
STANDARD	For a highly defined image in a normally bright room
USER	Allows the user to customize settings as desired. You can set the mode for each input source.

NOTE

- If you have selected "DYNAMIC", you cannot select "Contrast", "Brightness", "Color", "Tint", "Sharpness", "Pro Adjust", and "Reset"; these menu items are dimmed.

Selecting a screen size manually

Press **SCREEN SIZE** to switch among the screen size options selectable for the type of video signals currently received.

- Each time you press **SCREEN SIZE**, the selection is switched.
- The selectable screen sizes differ depending on the types of input signals.

AV mode

Item	Description
4:3	For 4:3 "standard" pictures. A side mask appears on each side.
FULL 14:9	For 14:9 squeeze pictures. A thin side mask appears on each side.
CINEMA 14:9	For 14:9 letterbox pictures. A thin side mask appears on each side, and you may also see bars on the top and bottom with some programmes.
WIDE	In this mode the picture is progressively stretched toward each side of the screen.
FULL	For 16:9 squeeze pictures.
ZOOM	For 16:9 letterbox pictures. Bars may appear on the top and bottom with some programmes.
CINEMA	For 14:9 letterbox pictures. Bars may appear on the top and bottom on some programmes.
Dot by Dot	Matches input signal with same number of screen pixels. Enabled only when input source size is 1920x1080.

PC mode

Item	Description
4:3	Fills the screen without altering the input signal aspect ratio.
FULL	Full 16:9 screen display
Dot by Dot	Matches input signal with same number of screen pixels.

NOTE

- The Plasma Display's imaging characteristics may deteriorate if the following screen sizes are displayed for a prolonged period: 4:3, FULL 14:9, CINEMA 14:9, Dot by Dot (except when the input size is 1920x1080).

If the above screen sizes are displayed continuously for several hours, or for shorter periods of time over several days, a permanent after-image may remain on the screen due to burning of the fluorescent materials.

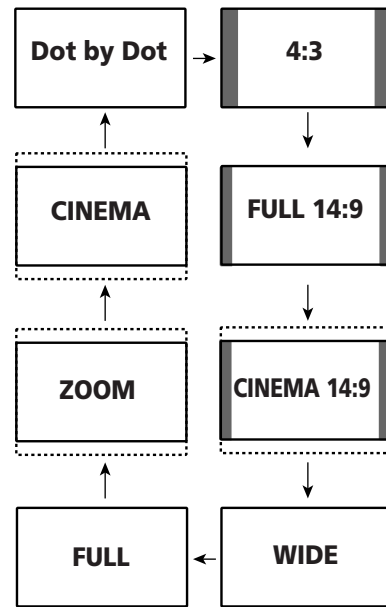
Unless doing so would infringe copyright restrictions, it is strongly recommended to choose a screen size that does not produce black bands at top/bottom or right/left of the screen.

- It is not recommended to consistently display signals that do not completely fill the screen. This may cause temporary or permanent image retention depending on the frequency and duration.

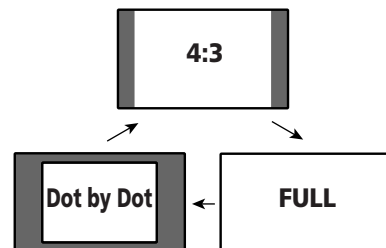
Some HD broadcasts may display 4:3 content with side masks, which may cause uneven wear. After viewing, it is recommended to view full screen motion video.

- When using the Plasma Display in a profit-making activity, or when exhibiting images publicly, using the screen size function to compress or stretch the image may result in infringement of the copyrights of the image owners.

AV mode



PC mode



Using the menu

AV mode menus

Home Menu	Item	Page
Picture	Contrast	25
	Brightness	25
	Color	25
	Tint	25
	Sharpness	25
	Pro Adjust	25
	Reset	25
Sound	Treble	28
	Bass	28
	Balance	28
	Front Surround	28
	FOCUS	28
	Reset	28
Power Control	Energy Save	29
	No Signal off	29
	Power Management	29
Option	Position	30
	Auto Size	32
	4:3 Mode	32
	Drive Mode	30
Setup	Language	25
	SR+	37
	INPUT1	31, 35
	INPUT2	33, 34
	INPUT3	33, 34
	INPUT4	31
	INPUT5	31, 33
INPUT6	31, 33	

PC mode menus

Home Menu	Item	Page
Picture	Contrast	25
	Brightness	25
	Red	25
	Green	25
	Blue	25
	Reset	25

Sound	Treble	28
	Bass	28
	Balance	28
	Front Surround	28
	FOCUS	28
	Reset	28

Power Control	Energy Save	29
	No Signal Off	29
	Power Management	29

Option	Manual Setup	30
--------	--------------	----

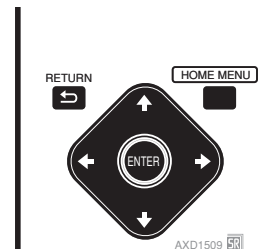
Setup	Language	25
	SR+	37
	INPUT1	31, 35
	INPUT2	33, 34
	INPUT3	33, 34
	INPUT4	31
	INPUT5	31, 33
INPUT6	31, 33	

Menu operations

The following describes the typical procedure for setting up the menus. For the actual procedures, see the appropriate pages that describes individual functions.

NOTE

- Items within parentheses () indicate notations for the main unit buttons when they differ from those on the remote control unit.



- Press **HOME MENU**.
- Press **↑/↓** to select a menu item, and then press **ENTER (ENTER/DISP.)**.
- Repeat step 2 until you access the desired submenu item.
 - The number of menu layers differs depending on the menu items.
- Press **←/→** to select an option (or parameter), and then press **ENTER (ENTER/DISP.)**.
 - For some menu items, press **↑/↓** instead of **←/→**.
- Press **HOME MENU, INPUT 1 to INPUT 6 (INPUT)** to exit the menu.

NOTE

- You can return to the upper menu levels by pressing **RETURN**.

Language setting

You can select the language to be used for on-screen display such as menus and instructions, from among 15 languages; English, German, French, Italian, Spanish, Dutch, Swedish, Portuguese, Greek, Finnish, Russian, Turkish, Norwegian, Danish and Japanese.

- 1 Press **HOME MENU**.
- 2 Select "Setup" (▲/▼ then **ENTER (ENTER/DISP.)**).
- 3 Select "Language" (▲/▼).
- 4 Select a language (←/→).

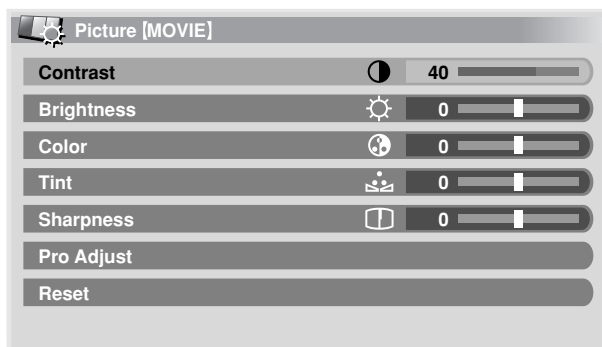


- 5 Press **HOME MENU, INPUT 1 to INPUT 6 (INPUT)** to exit the menu.

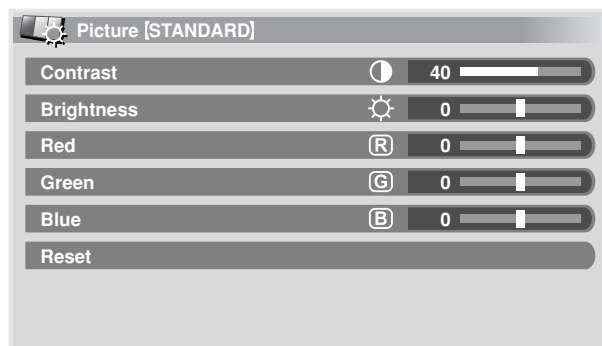
Basic picture adjustments

Adjust the picture to your preference for the chosen AV Selection option (except DYNAMIC).

- 1 Press **HOME MENU**.
- 2 Select "Picture" (▲/▼ then **ENTER (ENTER/DISP.)**).
- 3 Select an item to be adjusted (▲/▼ then **ENTER (ENTER/DISP.)**).



For PC source or Home Gallery, the following screen appears.



- 4 Select the desired level (←/→).



- When an adjustment screen is in display, you can also change the item to be adjusted, by pressing ▲/▼.

- 5 Press **HOME MENU, INPUT 1 to INPUT 6 (INPUT)** to exit the menu.

For AV source

Item	← button	→ button
Contrast	For less contrast	For more contrast
Brightness	For less brightness	For more brightness
Color	For less color intensity	For more color intensity
Tint	Skin tones become purplish	Skin tones become greenish
Sharpness	For less sharpness	For more sharpness

For PC source

Item	← button	→ button
Contrast	For less contrast	For more contrast
Brightness	For less brightness	For more brightness
Red	For weaker red	For stronger red
Green	For weaker green	For stronger green
Blue	For weaker blue	For stronger blue

NOTE

- To perform advanced picture adjustments, select "Pro Adjust" in step 3 and then press **ENTER (ENTER/DISP.)**. For the subsequent procedures, see "Advanced picture adjustments".
- To restore the factory defaults for all items, press ▲/▼ to select "Reset" in step 3, and then press **ENTER (ENTER/DISP.)**. A confirmation screen appears. Press ▲/▼ to select "Yes", and then press **ENTER (ENTER/DISP.)**.

Advanced picture adjustments

The Plasma Display provides various advanced functions for optimising the picture quality. For details on these functions, see the tables.

Several functions are not available when 1080p@50 Hz or 1080p@60 Hz signals are input.

Using PureCinema

- 1 Press **HOME MENU**.
- 2 Select "Picture" (▲/▼ then **ENTER (ENTER/DISP.)**).
- 3 Select "Pro Adjust" (▲/▼ then **ENTER (ENTER/DISP.)**).
- 4 Select "PureCinema" (▲/▼ then **ENTER (ENTER/DISP.)**).
- 5 Select the desired parameter (▲/▼ then **ENTER (ENTER/DISP.)**).
 - For the selectable parameters, see the table.

PureCinema

Automatically detects a film-based source (originally encoded at 24 frames/second), analyses it, then recreates each still film frame for high-definition picture quality.

PureCinema		
Selections	Off	Deactivates the PureCinema.
	Standard	Produces smooth and vivid moving images (film specific) by automatically detecting recorded image information when displaying DVD or high-definition images (e.g., movies) having 24 frames per second.
	Advanced	Produces smooth and quality moving images (as shown on theatre screens) by converting to 72 Hz when displaying DVD images (e.g., movies) having 24 frames per second.

NOTE

- “Standard” is not selectable when 480p or 720p@60 Hz signals are input.
- “Advanced” is not selectable when PAL, SECAM, 576i, or 1080i@50 Hz signals are input.
- Neither “Standard” nor “Advanced” is selectable when 576p, 1080p or 720p@ 50 Hz signals are input.

Using Color Temp

- 1 Press **HOME MENU**.
- 2 Select “Picture” (▲/▼ then **ENTER (ENTER/DISP.)**).
- 3 Select “Pro Adjust” (▲/▼ then **ENTER (ENTER/DISP.)**).
- 4 Select “Color Detail” (▲/▼ then **ENTER (ENTER/DISP.)**).
- 5 Select “Color Temp” (▲/▼ then **ENTER (ENTER/DISP.)**).
- 6 Select the desired parameter (▲/▼ then **ENTER (ENTER/DISP.)**).
 - If you have selected a desired parameter in this step, skip steps 7 and 8.
 - You may rather want to perform fine adjustment. To do this, select “Manual” first and then press and hold **ENTER (ENTER/DISP.)** for more than three seconds. The manual adjustment screen appears. Then go to step 7.

Color Temp

Adjusts the color temperature, resulting in a better white balance.

Selections	High	White with bluish tone
	Mid-High	Intermediate tone between High and Mid
	Mid	Natural tone
	Mid-Low	Intermediate tone between Mid and Low
	Low	White with reddish tone
	Manual	Color temperature adjusted to your preference

- 7 Select an item to be adjusted (▲/▼ then **ENTER (ENTER/DISP.)**).
- 8 Select the desired level (◀/▶).

Item		◀ button	▶ button
R High	Fine adjustment for bright portions	For weaker red	For stronger red
G High		For weaker green	For stronger green
B High		For weaker blue	For stronger blue

Item		◀ button	▶ button
R Low	Fine adjustment for dark portions	For weaker red	For stronger red
G Low		For weaker green	For stronger green
B Low		For weaker blue	For stronger blue

- To perform adjustment for another item, press **RETURN**, and then repeat steps 7 and 8.
- You may press ▲/▼ to immediately change an item to be adjusted.

- 9 Press **HOME MENU, INPUT 1** to **INPUT 6 (INPUT)** to exit the menu.

Using CTI

- 1 Press **HOME MENU**.
- 2 Select “Picture” (▲/▼ then **ENTER (ENTER/DISP.)**).
- 3 Select “Pro Adjust” (▲/▼ then **ENTER (ENTER/DISP.)**).
- 4 Select “Color Detail” (▲/▼ then **ENTER (ENTER/DISP.)**).
- 5 Select “CTI” (▲/▼ then **ENTER (ENTER/DISP.)**).
- 6 Select the desired parameter (▲/▼ then **ENTER (ENTER/DISP.)**).

CTI

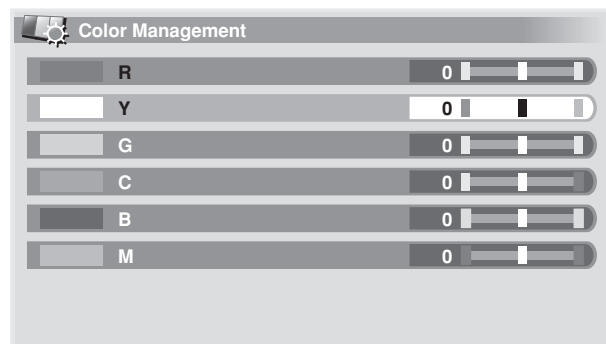
Provides images with clearer color contours. The CTI stands for Color Transient Improvement.

Selections	Off	Deactivates the CTI.
	On	Activates the CTI.

- 7 Press **HOME MENU, INPUT 1** to **INPUT 6 (INPUT)** to exit the menu.

Using Color Management

- 1 Press **HOME MENU**.
- 2 Select “Picture” (▲/▼ then **ENTER (ENTER/DISP.)**).
- 3 Select “Pro Adjust” (▲/▼ then **ENTER (ENTER/DISP.)**).
- 4 Select “Color Detail” (▲/▼ then **ENTER (ENTER/DISP.)**).
- 5 Select “Color Management” (▲/▼ then **ENTER (ENTER/DISP.)**).
- 6 Select an item to be adjusted (▲/▼ then **ENTER (ENTER/DISP.)**).



- 7 Select the desired level (◀/▶).

Item	← button	→ button
R	Closer to magenta	Closer to yellow
Y	Closer to red	Closer to green
G	Closer to yellow	Closer to cyan
C	Closer to green	Closer to blue
B	Closer to cyan	Closer to magenta
M	Closer to blue	Closer to red

- To perform adjustment for another item, press **RETURN**, and then repeat steps 6 and 7.
- You may press **↑/↓** to immediately change an item to be adjusted.

8 Press **HOME MENU, INPUT 1 to INPUT 6 (INPUT)** to exit the menu.

Reducing the noise in images

- 1 Press **HOME MENU**.
- 2 Select "Picture" (**↑/↓** then **ENTER (ENTER/DISP.)**).
- 3 Select "Pro Adjust" (**↑/↓** then **ENTER (ENTER/DISP.)**).
- 4 Select "NR" (**↑/↓** then **ENTER (ENTER/DISP.)**).
- 5 Select an item to be adjusted (**↑/↓** then **ENTER (ENTER/DISP.)**).
 - You can select "DNR" or "MPEG NR".
- 6 Select the desired parameter (**↑/↓** then **ENTER (ENTER/DISP.)**).

DNR

Reduces video noise for clean crisp images. The DNR stands for Digital Noise Reduction.

Selections	Off	Deactivates the DNR.
	High	Enhanced DNR
	Mid	Standard DNR
	Low	Moderate DNR

MPEG NR

Reduces mosquito noise from video image when a digital TV channel is watched or a DVD is played, resulting in noise-free images.

Selections	Off	Deactivates the MPEG NR.
	High	Enhanced MPEG NR
	Mid	Standard MPEG NR
	Low	Moderate MPEG NR

7 Press **HOME MENU, INPUT 1 to INPUT 6 (INPUT)** to exit the menu.

Using the Dynamic Range Expander (DRE) functions

- 1 Press **HOME MENU**.
- 2 Select "Picture" (**↑/↓** then **ENTER (ENTER/DISP.)**).
- 3 Select "Pro Adjust" (**↑/↓** then **ENTER (ENTER/DISP.)**).
- 4 Select "DRE" (**↑/↓** then **ENTER (ENTER/DISP.)**).
- 5 Select an item to be adjusted (**↑/↓** then **ENTER (ENTER/DISP.)**).

- You can select "Dynamic Contrast", "Black Level", "ACL" or "Gamma".

6 Select the desired parameter (**↑/↓** then **ENTER (ENTER/DISP.)**).

Dynamic Contrast

Emphasises the contrast on images so that the difference between brightness and darkness becomes more distinct.

Selections	Off	Deactivates the Dynamic Contrast.
	High	Enhanced Dynamic Contrast
	Mid	Standard Dynamic Contrast
	Low	Moderate Dynamic Contrast

Black Level

Emphasises dark portion on images so that the difference between brightness and darkness becomes more distinct.

Selections	Off	Deactivates the Black Level.
	On	Activates the Black Level.

ACL

Performs such compensation that results in the optimum contrast characteristics for images.

Selections	Off	Deactivates the ACL.
	On	Activates the ACL.

Gamma

Adjusts the gamma characteristics (image gradation characteristics).

Selections	1	Selects gamma characteristics 1.
	2	Selects gamma characteristics 2.
	3	Selects gamma characteristics 3.

7 Press **HOME MENU, INPUT 1 to INPUT 6 (INPUT)** to exit the menu.

Using the 3DYC and I-P Mode

- 1 Press **HOME MENU**.
- 2 Select "Picture" (**↑/↓** then **ENTER (ENTER/DISP.)**).
- 3 Select "Pro Adjust" (**↑/↓** then **ENTER (ENTER/DISP.)**).
- 4 Select "Others" (**↑/↓** then **ENTER (ENTER/DISP.)**).
- 5 Select an item to be adjusted (**↑/↓** then **ENTER (ENTER/DISP.)**).
 - You can select "3DYC" or "I-P Mode".
- 6 Select the desired parameter (**↑/↓** then **ENTER (ENTER/DISP.)**).

3DYC

Optimises characteristics for separating brightness signals and color signals. This works for both video and still images.

Selections	Off	Deactivates the 3DYC.
	High	Enhanced 3DYC
	Mid	Standard 3DYC
	Low	Moderate 3DYC

I-P Mode

Perform optimum conversion from interlace signals to progressive signals. This works for both video and still images.

Selections	1	Optimum for video images
	2	Standard setting
	3	Optimum for still images

- Press **HOME MENU**, **INPUT 1** to **INPUT 6 (INPUT)** to exit the menu.

NOTE

Can be set only when a video signal is input. However, this setting is not supported if either of the following conditions apply:

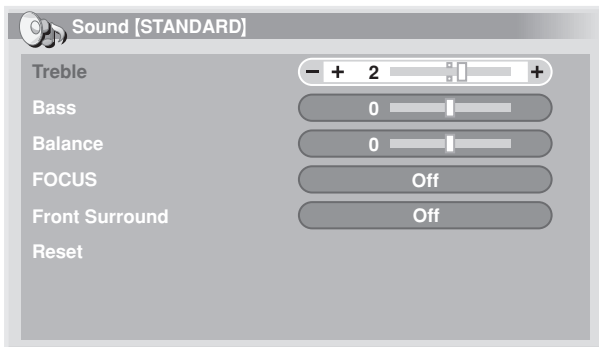
- Conditions for setting "3DYC": NTSC signal input and PAL signal input from INPUT6.
- Signals for which "I-P Mode" is not settable: 480p, 720p, 576p, 1080p.

Sound adjustments

You can adjust the sound quality to your preference with the following settings.

Adjust the sound to your preference for the chosen AV Selection option. See page 22.

- Press **HOME MENU**.
- Select "Sound" (▲/▼ then **ENTER (ENTER/DISP.)**).
- Select an item to be adjusted (▲/▼).
- Select the desired level (◀/▶).



Item	◀ button	▶ button
Treble	For weaker treble	For stronger treble
Bass	For weaker bass	For stronger bass
Balance	Decreases audio from the right speaker.	Decreases audio from the left speaker.

- Press **HOME MENU**, **INPUT 1** to **INPUT 6 (INPUT)** to exit the menu.

NOTE

- To restore the factory defaults for all items, press ▲/▼ to select "Reset" in step 3, and then press **ENTER (ENTER/DISP.)**. A confirmation screen appears. Press ▲/▼ to select "Yes", and then press **ENTER (ENTER/DISP.)**.

FOCUS

This shifts the sound coming direction (sound images) upward and produces clear sound contours.

- Press **HOME MENU**.
- Select "Sound" (▲/▼ then **ENTER (ENTER/DISP.)**).
- Select "FOCUS" (▲/▼).
- Select the desired parameter (◀/▶).



Item	Description
Off	Deactivates the FOCUS.
On	Activates the FOCUS.

- Press **HOME MENU**, **INPUT 1** to **INPUT 6 (INPUT)** to exit the menu.

NOTE

- The effect of this function differs depending on signals.

Front Surround

This provides three-dimensional sound effects and/or deep, rich bass.

- Press **HOME MENU**.
- Select "Sound" (▲/▼ then **ENTER (ENTER/DISP.)**).
- Select "Front Surround" (▲/▼).
- Select the desired parameter (◀/▶).

Item	Description
Off	Deactivates both the SRS and TruBass.
SRS	Reproduces highly effective three-dimensional sound.
TruBass	Provides deep, rich bass using a new technology.
TruBass + SRS	Provides both TruBass and SRS effects.

- Press **HOME MENU**, **INPUT 1** to **INPUT 6 (INPUT)** to exit the menu.

NOTE

- SRS WOW** (WOW) designates a status where the FOCUS is on and TruBass + SRS has been selected for Front Surround.
- SRS WOW** is a trademark of SRS Labs, Inc.
- WOW technology is incorporated under license from SRS Labs, Inc.
- The effect of this function differs depending on signals.

Power Control

Power Control provides convenient functions for power saving.

Energy Save

You may use one of the two Energy Save modes to save power consumption.

- 1 Press **HOME MENU**.
- 2 Select "Power Control" (▲/▼ then **ENTER (ENTER/DISP.)**).
- 3 Select "Energy Save" (▲/▼).
- 4 Select "Save 1" or "Save 2" (←/→).

Item	Description
Standard	Does not decrease the picture brightness.
Save1	Slightly lowers power consumption while slightly suppressing the brightness drop level.
Save2	Decreases the picture brightness and lowers power consumption.

- 5 Press **HOME MENU, INPUT 1 to INPUT 6 (INPUT)** to exit the menu.

No Signal off

The Plasma Display will be automatically placed into the standby mode if no signal is received for 8 minutes.

- 1 Press **HOME MENU**.
- 2 Select "Power Control" (▲/▼ then **ENTER (ENTER/DISP.)**).
- 3 Select "No Signal off" (▲/▼).
- 4 Select "Enable" (←/→).

Item	Description
Disable	Does not place the Plasma Display into the standby mode.
Enable	Places the Plasma Display into the standby mode if no signal is received for 8 minutes.

- 5 Press **HOME MENU, INPUT 1 to INPUT 6 (INPUT)** to exit the menu.

NOTE

- INPUT1 to INPUT6 are enabled. INPUT1 and 4 are disabled, however, when they have "Signal Type" set to "PC."
- Operation is disabled during display of the HOME MENU.
- A message will be displayed immediately before the Plasma Display enters standby mode.

Power Management

The Plasma Display will be automatically placed into the standby mode when no signal is received.

- 1 Press **HOME MENU**.
- 2 Select "Power Control" (▲/▼ then **ENTER (ENTER/DISP.)**).
- 3 Select "Power Management" (▲/▼).
- 4 Select "Enable" (←/→).

Item	Description
Disable	No power management
Enable	If no input signal is detected for one minute or more, the unit automatically enters the standby mode. If a signal is subsequently detected, the unit automatically turns ON.

- 5 Press **HOME MENU, INPUT 1 to INPUT 6 (INPUT)** to exit the menu.

NOTE

- INPUT1 and INPUT4 only are enabled. However, when "Signal Type" is set to "AV", they are disabled.
- Operation is disabled during display of the HOME MENU.

Switching the vertical drive frequency (AV mode only)

You can switch the vertical drive frequency for screen display between 75 Hz and 100 Hz. Choose the drive frequency that better suits your input signals.

- 1 Press **HOME MENU**.
- 2 Select "Option" (▲/▼ then **ENTER (ENTER/DISP.)**).
- 3 Select "Drive Mode" (▲/▼).
- 4 Select "75Hz" or "100Hz" (◀/▶).



- 5 Press **HOME MENU, INPUT 1 to INPUT 6 (INPUT)** to exit the menu.

NOTE

- This setting can be made for each input source separately.
- This setting is disabled when 480i, 480p, 1080i@60 Hz, 720p@60 Hz, 1080p@24 Hz, 1080p@60 Hz, 4.43 NTSC signals, or NTSC signals are input.

Adjusting image positions (AV mode only)

Adjust the horizontal and vertical positions of images on the Plasma Display.

- 1 Press **HOME MENU**.
- 2 Select "Option" (▲/▼ then **ENTER (ENTER/DISP.)**).
- 3 Select "Position" (▲/▼ then **ENTER (ENTER/DISP.)**).
- 4 Select "H/V Position Adjust" (▲/▼ then **ENTER (ENTER/DISP.)**).



- 5 Adjust the vertical position (▲/▼) or the horizontal position (◀/▶).
- 6 Press **HOME MENU, INPUT 1 to INPUT 6 (INPUT)** to exit the menu.

NOTE

- To restore the factory defaults for all items, press ▲/▼ to select "Reset" in step 4, and then press **ENTER (ENTER/DISP.)**. A confirmation screen appears. Press ▲/▼ to select "Yes", and then press **ENTER (ENTER/DISP.)**.
- Adjustments are stored separately according to input source.

Adjusting image positions and clock automatically (PC mode only)

Use Auto Setup to automatically adjust the positions and clock of images coming from a personal computer.

- 1 Press **PC AUTO SET UP** on the remote control unit.
 - Auto Setup starts.
- 2 Press **HOME MENU, INPUT 1 to INPUT 6 (INPUT)** to exit the menu.

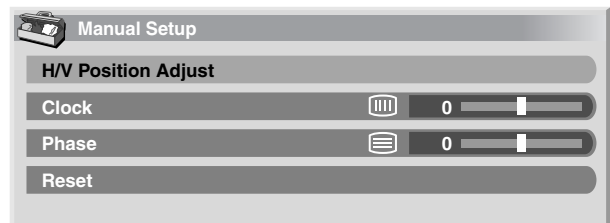
NOTE

- When Auto Setup is finished, "Auto Setup completed." appears.
- Even when "Auto Setup completed" appears, Auto Setup may have failed, depending on conditions.
- Auto Setup may fail with a PC image composed of similar patterns or monochrome. If not successful, change the PC image and try again.
- Be sure to connect the computer to the unit and switch it on before starting Auto Setup.

Adjusting image positions and clock manually (PC mode only)

Usually you can easily adjust the positions and clock of images using Auto Setup. Use Manual Setup to optimise the positions and clock of images when necessary.

- 1 Press **HOME MENU**.
- 2 Select "Option" (▲/▼ then **ENTER (ENTER/DISP.)**).
- 3 Select "Manual Setup" (▲/▼ then **ENTER (ENTER/DISP.)**).
- 4 Select the item to be adjusted (▲/▼ then **ENTER (ENTER/DISP.)**).



- 5 Perform adjustment (◀/▶ and ▲/▼).
With "Clock" or "Phase" selected, you can change the parameter using ▲/▼.
- 6 Press **HOME MENU, INPUT 1 to INPUT 6 (INPUT)** to exit the menu.

NOTE

- To restore the factory defaults for all the items, press ▲/▼ to select "Reset" in step 4, and then press **ENTER (ENTER/DISP.)**. A confirmation screen appears. Press ▲/▼ to select "Yes", and then press **ENTER (ENTER/DISP.)**.

Useful Adjustment Settings

Selecting an input signal type

After connecting to the INPUT1 or INPUT4 terminal, specify the type of video signals to be received from the connected equipment. For the type of the signals, see the operation manual that came with the connected equipment.

Before starting the menu, press **INPUT 1** or **INPUT 4 (INPUT)** to select an input source.

- 1 Press **HOME MENU**.
- 2 Select "Setup" (▲/▼ then **ENTER (ENTER/DISP.)**).
- 3 Select "INPUT1" or "INPUT4" (▲/▼ then **ENTER (ENTER/DISP.)**).
- 4 Select a signal type (◀/▶).



- For INPUT1, you can select AV or PC.
 - For INPUT4, you can select AV or PC. In addition, you may select color decoding, component, or RGB. XGA, WXGA or AUTO can be selected with the XGA/WXGA setting.
- 5 Press **HOME MENU, INPUT 1** to **INPUT 6 (INPUT)** to exit the menu.



NOTE

- If no image appears or images appear in inappropriate colors, specify another video signal type.
- For the signal types to be specified, check the operation manual that came with the connected equipment.

Color system setting

If an image does not appear clearly, select another color system (e.g., PAL, NTSC).

- 1 Press **HOME MENU**.
- 2 Select "Setup" (▲/▼ then **ENTER (ENTER/DISP.)**).
- 3 Select "INPUT5" or "INPUT6" (▲/▼ then **ENTER (ENTER/DISP.)**).
- 4 Select a video signal system (◀/▶).



- You can select "Auto", "PAL", "SECAM", "NTSC", "4.43NTSC", "PAL-M" or "PAL-N".
 - With "Auto" selected, input signals are automatically identified.
- 5 Press **HOME MENU, INPUT 1** to **INPUT 6 (INPUT)** to exit the menu.



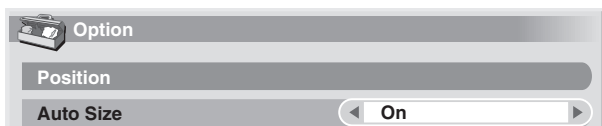
NOTE

- You need to perform color system setting for each of INPUT5 and 6.

Selecting a screen size automatically (AV mode only)

The Plasma Display automatically selects an appropriate screen size when video signals are received from a connected HDMI equipment (see page 33). To activate this function, use the following procedure.

- 1 Press **HOME MENU**.
- 2 Select "Option" (▲/▼ then **ENTER (ENTER/DISP.)**).
- 3 Select "Auto Size" (▲/▼).
- 4 Select "On" (◀/▶).



Item	Description
Off	Deactivates the Auto Size function.
On	Activates the Auto Size function.

- 5 Press **HOME MENU, INPUT 1 to INPUT 6 (INPUT)** to exit the menu.

NOTE

- Manually select an appropriate screen size if an image does not automatically switch to a correct screen format.
- When the video signal contains no aspect ratio information, the function will not work even with "On" selected.

Selecting a screen size for received 4:3 aspect ratio signals (AV mode only)

Specify whether the Plasma Display should choose the 4:3 mode or WIDE mode when 4:3 aspect ratio signals are received with the Auto Size function activated.

- 1 Press **HOME MENU**.
- 2 Select "Option" (▲/▼ then **ENTER (ENTER/DISP.)**).
- 3 Select "4:3 Mode" (▲/▼).
- 4 Select "WIDE" or "4:3" (◀/▶).



Item	Description
WIDE	Wide image without side masks.
4:3	Keeps the 4:3 aspect ratio and presents side masks.

WIDE



4:3



- 5 Press **HOME MENU, INPUT 1 to INPUT 6 (INPUT)** to exit the menu.

Using External Equipment

You can connect many types of external equipment to your Plasma Display, like a decoder, VCR, DVD player, personal computer, game console, and camcorder.

NOTE

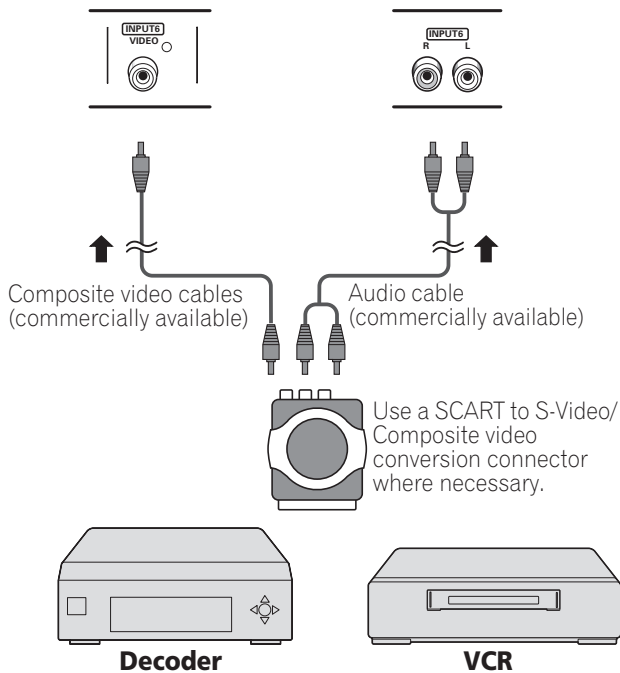
- Refer to the relevant operation manual (DVD player, personal computer, etc.) carefully before making connections.

Watching a decoder or VCR image

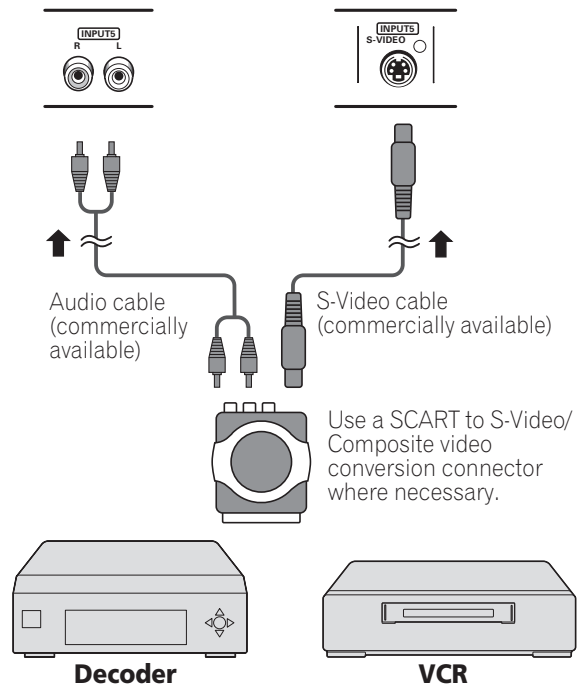
Connecting a decoder or VCR

Use the INPUT5 or INPUT6 terminal when connecting a decoder and other audiovisual equipment.

Connections for Composite Connectors



Connections for S-Connectors



Displaying a decoder or VCR image

Press **INPUT 5** or **INPUT 6 (INPUT)** to select INPUT5 or INPUT6.

NOTE

- Be sure to use INPUT5 or INPUT6 to connect a decoder or VCR.
- If decoder or VCR images do not come in clearly, you may need to change the input signal type setting using the menu. See page 31.
- Refer to your decoder or VCR operation manual for the signal type.

Using HDMI Input

This Plasma Display is equipped with two HDMI terminals (INPUT2 and 3) which accept digital video and audio signals. To use the HDMI terminal, activate the terminal and specify the types of video and audio signals to be received from the connected equipment. For the types of these signals, see the operation manual that came with the connected equipment.

Before starting the menu, press **INPUT 2** or **INPUT 3 (INPUT)** to select INPUT2 or INPUT3.

Input signal correlation table

1920*1080p@24 Hz

1920*1080p@50 Hz

1920*1080p@59.24/60 Hz

1920*1080i@50 Hz

1920*1080i@59.94/60 Hz

1280*720p@50 Hz

1280*720p@59.94/60 Hz

720*576p@50 Hz

720(1440)*576i@50 Hz

Input signal correlation table

720*480p@59.94/60 Hz

720(1440)*480i@59.94/60 Hz

For audio, the Plasma Display supports the following:

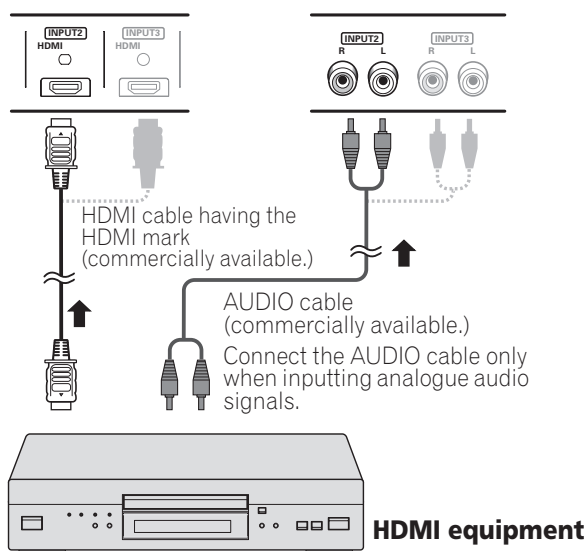
- Linear PCM (STEREO 2ch)
- Sampling frequency: 32 kHz, 44.1 kHz, 48 kHz

NOTE

- PC signals are out of correspondence.
- HDMI input display on top right corner of the Plasma Display (blue box) everytime the external devices changing the output format, this might causing the blank screen while detecting the signal format.

Connecting HDMI equipment

When using the INPUT2 or INPUT3 HDMI terminal:

**To activate the HDMI terminal:**

When you use the INPUT2 or INPUT3 HDMI terminal, use the following procedure to activate the terminal.

- 1 Press **HOME MENU**.
- 2 Select "Setup" (▲/▼ then **ENTER (ENTER/DISP.)**).
- 3 Select "INPUT2" or "INPUT3" (▲/▼ then **ENTER (ENTER/DISP.)**).
- 4 Select "Video" or "Audio" (▲/▼).
- 5 Set the "Video" or "Audio" setting.
- 6 Press **HOME MENU, INPUT 1 to INPUT 6 (INPUT)** to exit the menu.

To specify the type of digital video signals:

- 1 Repeat steps 1 to 2 provided for "To activate the HDMI terminal".
- 2 Select "Video" (▲/▼).
- 3 Select the type of digital video signals (◀/▶).

- If you select "Auto", an attempt will be made to identify the type of digital video signals when digital video signals are received.

Item	Description
Auto	Automatically identifies input digital video signals.
Color-1	Digital Component Video signals (4:2:2) locked
Color-2	Digital Component Video signals (4:4:4) locked
Color-3	Digital RGB signals (16 to 235) locked
Color-4	Digital RGB signals (0 to 255) locked

- 4 Press **HOME MENU, INPUT 1 to INPUT 6 (INPUT)** to exit the menu.

NOTE

- If you select a parameter other than "Auto", make such a setting that results in natural color.
- If the images do not come in clearly, specify another digital video signal type.
- For the digital video signal types to be specified, check the operation manual that came with the connected equipment.

To specify the type of audio signals:

When you use the INPUT2 or INPUT3 HDMI terminal, use the following procedure to specify the type of audio signals.

- 1 Repeat steps 1 to 2 provided for "To activate the HDMI terminal".
- 2 Select "Audio" (▲/▼).
- 3 Select the type of audio signals (◀/▶).
 - If you select "Auto", an attempt will be made to identify the type of audio signals when audio signals are received.

Item	Description
Auto	Automatically identifies input audio signals.
Digital	Accepts digital audio signals.
Analogue	Accepts analogue audio signals.

- 4 Press **HOME MENU, INPUT 1 to INPUT 6 (INPUT)** to exit the menu.

NOTE

- If no sound is output, specify another audio signal type.
- For the audio signal types to be specified, check the operation manual that came with the connected equipment.
- Depending on the equipment to be connected, you also need to connect analogue audio cables.

Using DVI Input

This Plasma Display is equipped with a DVI terminal (INPUT1) which accept digital video.

Before starting the menu, press **INPUT 1** on the remote control unit to select INPUT1.

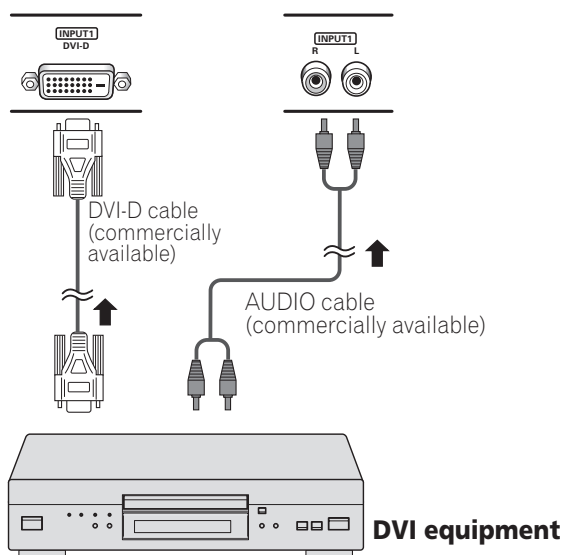
Input signal correlation table

1920*1080i@50 Hz
720*576p@50 Hz
1280*720p@50 Hz
1920*1080i@59.94/60 Hz
720*480p@59.94/60 Hz
1280*720p@59.94/60 Hz

NOTE

- See the section "Computer compatibility chart" (page 37) regarding supported computer signals.

Connecting DVI equipment



To activate the DVI terminal:

When you use the INPUT1 terminal, use the following procedure to activate the terminal.

- Press **HOME MENU**.
- Select "Setup" (↑/↓ then **ENTER (ENTER/DISP.)**).
- Select "INPUT1" (↑/↓ then **ENTER (ENTER/DISP.)**).
- Set the "AV" setting.
- Press **HOME MENU, INPUT 1 to INPUT 6 (INPUT)** to exit the menu.

NOTE

- See the section "Watching an image from a personal computer" (page 36) regarding connections to a computer.

To specify the type of digital video signals:

- Repeat steps 1 to 3 provided for "To activate the DVI terminal".
- Select "Video" (↑/↓).
- Select the type of digital video signals (←/→).

Item	Description
RGB (16 - 235)	Didital RGB signals (16 to 235) locked
RGB (0 - 255)	Didital RGB signals (0 to 255) locked

- Press **HOME MENU, INPUT 1 to INPUT 6 (INPUT)** to exit the menu.

NOTE

- This selection is disabled when "Signal Type" is set to "PC". For details on setting the signal type, see the section "To activate the DVI terminal".
- If the images do not come in clearly, specify another digital video signal type.
- For the digital video signal types to be specified, check the operation manual that came with the connected equipment.

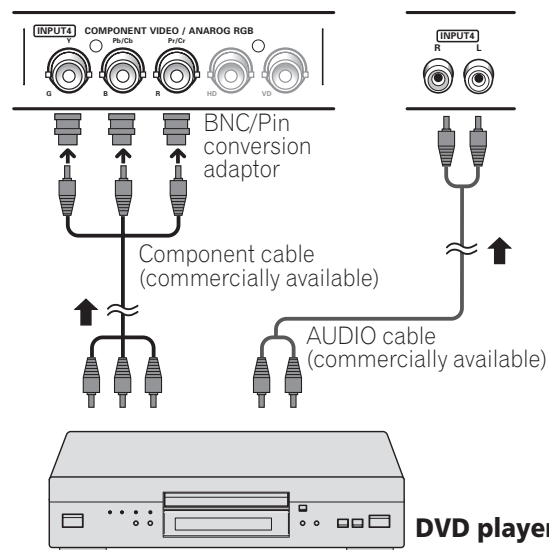
Watching a DVD image

Input signal correlation table

1920*1080p@24 Hz
1920*1080i@50 Hz
1920*1080i@59.94/60 Hz
1280*720p@50 Hz
1280*720p@59.94/60 Hz
720*576p@50 Hz
720*576i@50 Hz
720*480p@59.94/60 Hz
720*480i@59.94/60 Hz

Connecting a DVD player

Use the INPUT4, 5 or 6 terminal when connecting to a DVD player and other audiovisual equipment.



Displaying a DVD image

To watch a DVD image, press **INPUT 4**, **5** or **6 (INPUT)** to select INPUT4, 5 or 6.

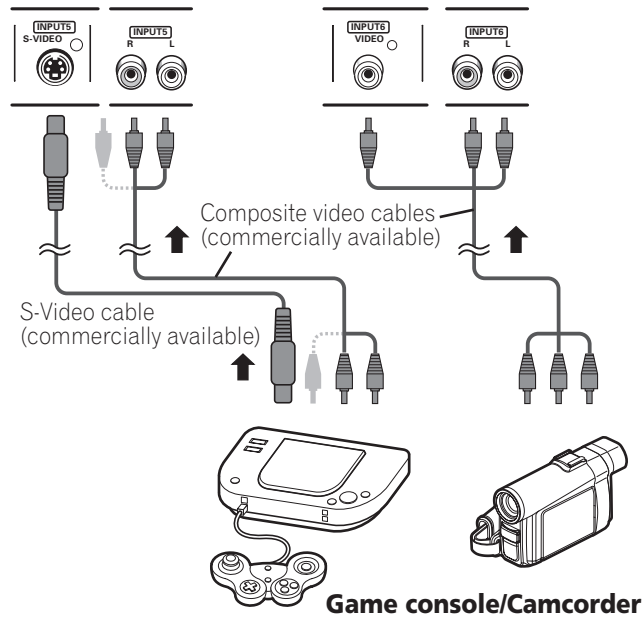
NOTE

- If DVD images do not come in clearly, you may need to change the input signal type setting using the menu. See page 31.
- Refer to your DVD player operation manual for the signal type.

Enjoying a game console or watching camcorder images

Connecting a game console or camcorder

Use the INPUT5 or INPUT6 terminals to connect a game console, camcorder and other audiovisual equipment.



Displaying an image from the game console or camcorder

To watch an image coming from the game console or camcorder, press **INPUT 5** or **INPUT 6 (INPUT)** to select INPUT5 or INPUT6.

NOTE

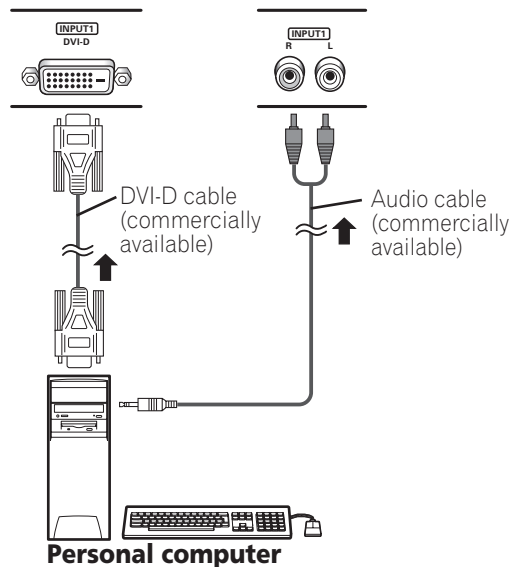
- Connect external equipment to only terminals that are to be actually used.

Watching an image from a personal computer

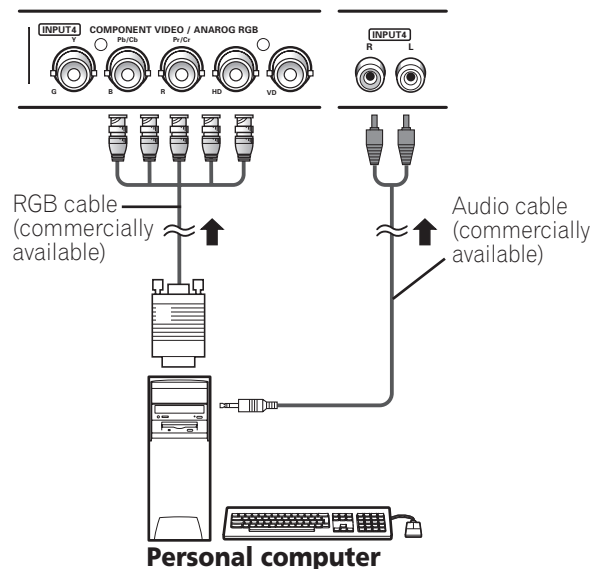
Connecting a personal computer

Use the INPUT1 or INPUT4 terminals to connect a personal computer.

When using the INPUT1 terminal:



When using the INPUT4 terminal:



Displaying an image from a personal computer

To watch an image coming from the personal computer, press **INPUT 1** or **INPUT 4 (INPUT)**.

When connecting to a personal computer, the correct input signal type is automatically detected. If the computer image is not clear, it may be necessary to use the remote control unit's Auto setup function.

Computer compatibility chart


Resolution	Frequency	Remarks
720 x 400	70 Hz	
640 x 480	60 Hz	
	72 Hz	
	75 Hz	
800 x 600	60 Hz	
	72 Hz	
	75 Hz	
1024 x 768	60 Hz	
	70 Hz	
	75 Hz	
1280 x 720	60 Hz	
1280 x 768	60 Hz	
1280 x 1024	60 Hz	



NOTE

- INPUT1 (DVI) also supports 1280 x 1024 @75 Hz, and 1920 x 1080 @60 Hz signals.

Connecting control cords

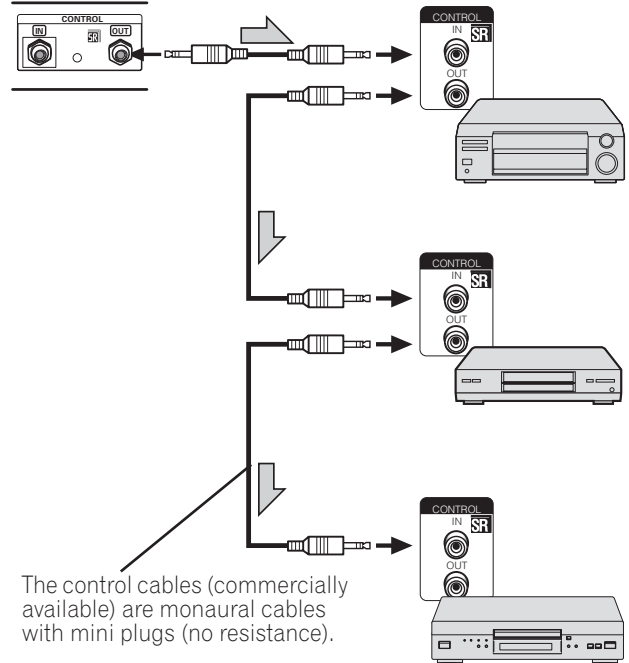
Connect control cords between the Plasma Display and other PIONEER equipment having the  logo. You can then operate the connected equipment by sending commands from its remote control unit to the remote control sensor on the Plasma Display.

After the CONTROL IN terminals have been connected, the remote control sensors on the connected equipment do not accept commands from the remote control units. Face the remote control units to the remote control sensor on the Plasma Display when operating the connected equipment.



NOTE

- Make sure that the power is turned off when making connections.
- Complete all component connections before making control cord connections.



About SR+

The CONTROL OUT terminal on the rear of the Plasma Display supports **SR+** that allows linked operations with a PIONEER AV receiver. **SR+** presents functions such as the input switch linkage operation function and the DSP surround mode display function. For more information, see the instruction manual that came with the PIONEER AV receiver supporting **SR+**.

- 1 Press **HOME MENU**.
- 2 Select "Setup" (▲/▼ then **ENTER (ENTER/DISP.)**).
- 3 Select "SR+" (▲/▼).
- 4 Select "On" (←/→).

Item	Description
Off	SR+ is disabled.
On	Linked operation can be performed with unit connected to SR+ connectors.

- 5 Press **HOME MENU, INPUT 1 to INPUT 6 (INPUT)** exit the menu.



NOTE

- While in connection through **SR+**, the volume on this Plasma Display is temporarily minimised.

Troubleshooting

Problem	Possible Solution
<ul style="list-style-type: none"> No power. The Plasma Display cannot be switched on. 	<ul style="list-style-type: none"> Is the power cord disconnected? (See page 18.) Has the main power been turned on? (See page 21.)
<ul style="list-style-type: none"> The Plasma Display cannot be operated. 	<ul style="list-style-type: none"> External influences such as lightning, static electricity, etc., may cause improper operation. In this case, operate the Plasma Display after first turning off the power of the Plasma Display, or unplugging the power cord and re-plugging it in after 1 or 2 minutes.
<ul style="list-style-type: none"> Remote control unit does not operate. 	<ul style="list-style-type: none"> Are batteries inserted with polarity (+, -) aligned? (See page 20.) Are batteries worn out? Replace with new batteries. (See page 20.) Operate the remote control unit while pointing it toward the remote control sensor on the Plasma Display. (See page 20.) Are you using it under strong or fluorescent lighting? Is a fluorescent light illuminated to remote control sensor?
<ul style="list-style-type: none"> No image and audio is presented. 	<ul style="list-style-type: none"> Check the cable connection with the other equipment. (See page 33 to 37.)
<ul style="list-style-type: none"> No picture. 	<ul style="list-style-type: none"> Is connection to other components correct? (See page 33 to 37.) Is a non-compatible PC signal being input? (See page 37.) Is the Input Select setting correct? (See page 31.)
<ul style="list-style-type: none"> Images are presented but no audio is output. 	<ul style="list-style-type: none"> Check if you have selected the minimum volume. (See page 21.) Check if you have muted sound. (See page 21.) When using either INPUT1, INPUT4, INPUT5, or INPUT6 as the input source, confirm that the audio connectors have also been connected. (See page 33 to 36.)
<ul style="list-style-type: none"> Sound is reversed between the right and left. Sound is output from only a single speaker. 	<ul style="list-style-type: none"> Check if the speaker cable connections have been reversed between the right and left or if the speaker cable from either speaker has been disconnected. (See page 15.) Has the balance been correctly adjusted? (See page 28.)
<ul style="list-style-type: none"> Picture is cut off. 	<ul style="list-style-type: none"> Is the image position correct? (See page 30.) Has the correct screen size been selected? (See pages 23 and 32.)
<ul style="list-style-type: none"> Strange color, light color, dark or color misalignment. 	<ul style="list-style-type: none"> Adjust the picture tone. (See pages 25 to 27.) Is the room too bright? The picture may look dark in a room that is too bright. Check the color system setting. (See page 31.)
<ul style="list-style-type: none"> After-image lag 	<ul style="list-style-type: none"> After displaying a still image or very bright image for a certain period of time, if the screen is then switched to a darker scene, the previous image may appear as an after-image. This can be rectified by playing a rather bright moving image for several minutes. However, displaying a still image for excessively long periods of time may cause permanent display deterioration.
<ul style="list-style-type: none"> Different brightness or colors on the right/left, top/bottom or center of screen. 	<ul style="list-style-type: none"> Displaying a letterbox-type image with black bands at top/bottom or right/left for extended periods of time, or regularly on a daily basis, may cause burning of the fluorescent materials in the plasma display, producing an after-image lag. For this reason it is strongly recommended to select a screen size that does not produce such black bands. Display content that completely fills the screen until unevenness is minimized. Some signals may require to change the screen size setting. (See page 23)
<ul style="list-style-type: none"> Power is suddenly turned off. 	<ul style="list-style-type: none"> The Plasma Display's internal temperature has increased. Remove any objects blocking vent or clean. (See page 16.) Check the power control setting. (See page 29.)
<ul style="list-style-type: none"> Panel sounds /noises 	<ul style="list-style-type: none"> Panel generated sounds, examples: Fan motor noise, Electrical Circuit Humming/Glass Panel buzzing are normal operation of a phosphor-based matrix display.

If the following error codes appear on the screen, check the corresponding items in the table.

Code	Message	Check
SD04	Powering off. Internal temperature too high. Check temperature around PDP.	Check if the ambient temperature of the Plasma Display is high.
SD05	Powering off. Internal protection circuits activated, Is there a short in speaker cable?	Check the speaker cable connections between the Plasma Display and the speakers.

Specifications

Number of Pixels	1920 x 1080 pixels
Audio Amplifier	13 W + 13 W (1 kHz, 10 %, 8 Ω)
Surround System	SRS/FOCUS/TruBass
Power Requirement	120 V AC, 60 Hz, 420 W (0.3 W Standby)
Dimensions	1282 mm (W) x 750.5 mm (H) x 98 mm (D) 50-15/32 in. (W) x 29-9/16 in. (H) x 3-7/8 in. (D)
Weight	39.8 kg (87 lbs. 12 oz.)

Color System	PAL/SECAM/NTSC 3.58/NTSC 4.43/PAL 60	
Terminals	INPUT1	DVI (DVI-D)
	INPUT2	HDMI *1
	INPUT3	HDMI *1
	INPUT4	BNC (COMPONENT VIDEO or ANALOG RGB)
	INPUT5	S-VIDEO
	INPUT6	VIDEO

*1 This conforms to HDMI1.1 and HDCP1.1.

HDMI (High Definition Multimedia Interface) is a digital interface that handles both video and audio using a single cable.
HDCP (High-bandwidth Digital Content Protection) is a technology used to protect copyrighted digital contents that use the Digital Visual Interface (DVI).

- Design and specifications are subject to change without notice.

Trademarks

- FOCUS, WOW, SRS and (●)® symbol are trademarks of SRS Labs, Inc.
- FOCUS and SRS technologies are incorporated under license from SRS Labs, Inc.
- This product includes FontAvenue® fonts licensed by NEC Corporation.
FontAvenue is a registered trademark of NEC Corporation.
- HDMI, the HDMI logo and High-Definition Multimedia Interface are trademarks or registered trademarks of HDMI Licensing LLC.
- The names of companies or institutions are trademarks or registered trademarks of the respective companies or institutions.

Published by Pioneer Corporation.
Copyright © 2006 Pioneer Corporation.
All rights reserved.

IMPORTANT



Ce symbole de l'éclair, placé dans un triangle équilatéral, a pour but d'attirer l'attention de l'utilisateur sur la présence, à l'intérieur du coffret de l'appareil, de 'tensions dangereuses' non isolées d'une grandeur suffisante pour représenter un risque d'électrocution pour les êtres humains.


ATTENTION
DANGER D'ELECTROCUTION
NES PAS OUVRIR

ATTENTION:
POUR EVITER TOUT RISQUE D'ELECTROCUTION, NE PAS ENLEVER LE COUVERCLE (NI LE PANNEAU ARRIERE). AUCUNE PIECE REPARABLE PAR L'UTILISATEUR NE SE TROUVE A L'INTERIEUR. CONFIEZ TOUT ENTRETIEN A UN PERSONNEL QUALIFIE UNIQUEMENT.



Ce point d'exclamation, placé dans un triangle équilatéral, a pour but d'attirer l'attention de l'utilisateur sur la présence, dans les documents qui accompagnent l'appareil, d'explications importantes du point de vue de l'exploitation ou de l'entretien.

INSTRUCTIONS DE SÉCURITÉ IMPORTANTES

- 1) Prenez connaissance du mode d'emploi.
 - 2) Conservez le mode d'emploi.
 - 3) Respectez les avertissements.
 - 4) Respectez les instructions.
 - 5) N'utilisez pas cet appareil près d'un point d'eau.
 - 6) Pour nettoyer, n'utilisez qu'un chiffon sec.
 - 7) N'obstruez pas les événements d'aération. Installez l'appareil conformément aux instructions du fabricant.
 - 8) N'installez pas l'appareil près des appareils de chauffage (radiateurs, poêles) et des appareils qui dégagent de la chaleur (y compris les amplificateurs).
 - 9) Ne tentez pas de faire échec à la sécurité qu'assurent la fiche polarisée ou la fiche à borne de masse. Une fiche polarisée possède 2 lames dont une est plus large que l'autre. Une fiche à borne de masse possède également 2 lames et en outre une broche pour la mise à la terre. La lame plus large dans un cas, et la broche dans l'autre cas, sont là pour des raisons de sécurité. Si la fiche du cordon d'alimentation fourni ne pénètre pas dans la prise secteur, demandez à un électricien de remplacer la prise obsolète.
 - 10) Faites cheminer le cordon d'alimentation de manière qu'il ne puisse pas être piétiné et veillez à ce que le cordon ne soit pas écrasé, tout particulièrement au niveau des prises secteur ou de sa sortie de l'appareil.
 - 11) N'utilisez aucun accessoire ni aucune option qui ne soient pas conseillés par le fabricant.
 - 12) Utilisez uniquement un chariot, un support, un trépied, une console ou une table conseillés par le fabricant ou vendus avec l'appareil. Si vous optez pour un chariot, ne déplacez ce dernier et l'appareil qu'il porte qu'avec les précautions qui s'imposent pour éviter de renverser l'appareil et d'être blessé.
- 
- 13) Pendant les orages, débranchez la fiche du cordon d'alimentation; procédez de même si vous avez l'intention de ne pas vous servir de l'appareil durant une longue période.
 - 14) Les réparations doivent être effectuées par du personnel qualifié. La réparation de l'appareil est nécessaire s'il a été endommagé, si le cordon d'alimentation où la fiche sont abîmés, si un liquide à ou un objet ont pénétré dans l'appareil, ou si ce dernier a été exposé à la pluie ou à l'humidité, ne fonctionne pas normalement ou s'il est tombé.

AVERTISSEMENT

Cet appareil est muni d'une fiche de mise à la terre (masse) à trois fils. Comme la fiche présente une troisième broche (de terre), elle ne peut se brancher que sur une prise de courant, prévue pour une mise à la terre. Si vous n'arrivez pas à insérer la fiche dans la prise de courant, contactez un électricien qualifié pour faire remplacer la prise par une qui soit mise à la terre. N'annulez pas la fonction de sécurité que procure cette fiche de mise à la terre.

D3-4-2-1-6_A_Fr

AVERTISSEMENT

Pour éviter les risques d'incendie, ne placez aucune flamme nue (telle qu'une bougie allumée) sur l'appareil.

D3-4-2-1-7a_A_Fr

PRÉCAUTION DE VENTILATION

Lors de l'installation de l'appareil, veillez à laisser un espace suffisant autour de ses parois de manière à améliorer la dissipation de chaleur. L'espace minimum requis est indiqué à la page 16.

AVERTISSEMENT

Les fentes et ouvertures du coffret sont prévues pour la ventilation, pour assurer un fonctionnement stable de l'appareil et pour éviter sa surchauffe. Pour éviter les risques d'incendie, ne bouchez jamais les ouvertures et ne les recouvrez pas d'objets, tels que journaux, nappes ou rideaux, et n'utilisez pas l'appareil posé sur un tapis épais ou un lit.

DANGER

L'interrupteur POWER de cet appareil ne coupe pas complètement celui-ci de sa prise secteur. Comme le cordon d'alimentation fait office de dispositif de déconnexion du secteur, il devra être débranché au niveau de la prise secteur pour que l'appareil soit complètement hors tension. Par conséquent, veuillez à installer l'appareil de telle manière que son cordon d'alimentation puisse être facilement débranché de la prise secteur en cas d'accident. Pour éviter tout risque d'incendie, le cordon d'alimentation sera débranché au niveau de la prise secteur si vous prévoyez une période prolongée de non utilisation (par exemple avant un départ en vacances).

Touche STANDBY/ON

STANDBY: Quand l'appareil est en mode veille, l'alimentation principale est coupée et l'appareil ne peut pas être utilisé.

Témoin STANDBY/ON

Le témoin est allumé en rouge quand l'appareil est en mode veille et en bleu quand l'alimentation principale est en service.

AVERTISSEMENT: CET APPAREIL N'EST PAS ÉTANCHE. POUR ÉVITER TOUT RISQUE D'INCENDIE OU TOUTE SECOUSSE ÉLECTRIQUE, NE L'EXPOSEZ PAS À LA PLUIE NI À L'HUMIDITÉ, NE LE PLACEZ PAS À PROXIMITÉ D'UN POINT D'EAU NI D'UN VASE, D'UN FLACON DE COSMÉTIQUE OU DE MÉDICAMENT, ETC.

AVERTISSEMENT: Manipuler le cordon d'alimentation de cet appareil ou les cordons des accessoires prévus, vous expose au plomb, corps chimique que l'État de Californie et d'autres entités gouvernementales savent capable provoquer des cancers, des défauts de naissance et d'autres anomalies de la reproduction. **Lavez vos mains après toute manipulation de ces cordons.**

REMARQUE: Cet appareil est conforme aux spécifications de la 15e partie des Règles de la Commission Fédérale des Communications (FCC). Ces limites ont été définies pour assurer une protection suffisante contre des brouillages nuisibles dans une zone résidentielle. Cet appareil génère, utilise et émet des signaux radioélectriques et s'il n'est pas installé et employé conformément aux prescriptions de son mode d'emploi, il peut provoquer des brouillages des communications radio. Toutefois, il n'y a pas de garantie que les brouillages n'auront pas lieu dans une installation particulière. Si cet appareil provoque effectivement des brouillages de la réception de la radio et de la télévision, ce qui peut être déterminé en arrêtant l'appareil puis en le remettant en marche, il est conseillé à l'utilisateur d'essayer d'y remédier, au moyen de l'une ou de plusieurs des mesures suivantes:

- Réorienter ou déplacer l'antenne réceptrice.
- Augmenter la distance entre l'appareil et le récepteur.
- Connecter l'appareil à une prise secteur d'un circuit différent de celui auquel est connecté le récepteur.
- Consulter le revendeur ou un technicien compétent de radio ou de télévision.

PRÉCAUTION: Cet appareil est conforme aux spécifications de la FCC si des câbles et des connecteurs blindés sont utilisés pour son raccordement à d'autres appareils. Pour limiter les risques de brouillage électromagnétique d'appareils électriques tels que récepteurs de radio ou de télévision, effectuez les raccordements au moyen de câbles et de connecteurs blindés.

REMARQUE IMPORTANTE – Le numéro de série de cet appareil se trouve sur le panneau arrière. Veuillez noter ce numéro sur la carte de garantie fournie que vous placerez ensuite en lieu sûr. Cela, pour des raisons de sécurité.

PRÉCAUTION: Le modèle PRO-FHD1 doit être utilisé uniquement avec le support PDK-TS23. Son emploi avec un autre support peut entraîner une instabilité de l'appareil et des blessures par sa chute.

Informations destinées à l'utilisateur

Les altérations ou modifications réalisées sans autorisation écrite convenable peuvent entraîner la déchéance de vos droits d'utilisateur.

[Pour le modèle destiné au Canada]

Cet appareil numérique de la classe B est conforme à la norme NMB-003 du Canada.

DÉCLARATION DE CONFORMITÉ AUX RÈGLES DE LA FCC

Cet appareil est conforme à la 15e partie des Règles de la FCC. Son fonctionnement est soumis aux 2 conditions suivantes: (1) Cet appareil ne doit pas produire des brouillages sérieux, et (2) il doit accepter les brouillages qu'il reçoit, y compris ceux qui peuvent provoquer un fonctionnement indésirable.

Nom de l'appareil: Écran à plasma

Numéro de modèle: PRO-FHD1

Catégorie d'appareil: Ordinateurs personnels et périphériques de la classe B

Nom du tiers responsable: PIONEER ELECTRONICS SERVICE, INC.

Adresse: 1925 E. DOMINGUEZ ST. LONG BEACH, CA 90801-1760, U.S.A.

Téléphone: 800-421-1625

URL pour la clientèle professionnelle

<http://www.PioneerUSA.com>

Nous vous remercions d'avoir acquis cet appareil Pioneer.

Veillez lire attentivement ce mode d'emploi pour être en mesure d'utiliser l'appareil convenablement. La lecture de ce mode d'emploi terminée, conservez-le dans un endroit sûr pour référence.

Dans certains pays ou régions, la forme de la prise secteur et celle de la fiche du cordon d'alimentation peuvent différer des illustrations de ce document. Toutefois, la manière de brancher le cordon et d'utiliser l'appareil est la même.

01 Informations importantes pour l'utilisateur

02 Précautions de sécurité

03 Accessoires

04 Accessoires fournis

05 Nomenclature

Unité principale	13
Télécommande	14
Panneau des connexions	15

06 Préparation

Installation de l'écran plasma	16
Pour empêcher l'écran plasma de se renverser	17
Raccordement du cordon d'alimentation	18
Comment faire cheminer les câbles	19
Préparation du boîtier de télécommande	20
Mise en place des piles	20
Précautions relatives aux piles	20
Portée du boîtier de télécommande	20
Précautions relatives au boîtier de télécommande	20

07 Utilisation

Témoins d'état de l'écran plasma	21
Modification du niveau sonore	21
Utilisation des fonctions multiécrans	22
Partage d'écran	22
Vérification de l'état actuel	22
Sélection AV	22
Sélection manuelle d'un format d'écran	23

08 Configuration du menu

Utilisation du menu	24
Menus des modes AV	24
Menus des modes PC	24
Opérations du menu	24

09 Réglages de base

Choix de la langue	25
Réglages de base de l'image	25
Réglages avancés de l'image	25
Utilisation de PureCinema	25
Utilisation de Temp. Couleur	26
Utilisation de CTI	26
Utilisation de Gestion coul.	26
Réduction du bruit des images	27
Utilisation des fonctions d'expansion de gamme dynamique (DRE)	27
Utilisation de 3DYC et de Mode I-P	28
Réglages du son	28
FOCUS	28
Surround avant	28
Commande alimentation	29

10 Réglages utiles

Sélection de la fréquence de balayage vertical (mode AV seulement)	30
Réglage de la position de l'image (mode AV seulement)	30
Réglage automatique de la position de l'image et de l'horloge (mode PC seulement)	30
Réglage manuel de la position de l'image et de l'horloge (mode PC seulement)	30
Choix du type de signal d'entrée	31
Choix du standard couleur	31
Sélection automatique d'un format d'écran (mode AV seulement)	32
Sélection d'un format d'écran pour des signaux de ratio d'aspect 4:3 reçus (mode AV seulement)	32

11 Utilisation d'un équipement extérieur

Pour regarder les images d'un décodeur ou d'un magnétoscope	33
Branchement d'un décodeur ou d'un magnétoscope	33
Affichage de l'image d'un décodeur ou d'un magnétoscope	33
Utilisation de l'entrée HDMI	33
Branchement d'un appareil HDMI	34
Utilisation de l'entrée DVI	35
Branchement d'un appareil DVI	35
Affichage des images d'un lecteur de DVD	35
Branchement d'un lecteur de DVD ...	35
Affichage des images d'un DVD	36
Utilisation d'une console de jeu et visionnement des images d'un caméscope	36
Raccordement d'une console de jeu ou d'un caméscope	36
Affichage de l'image d'une console de jeu ou d'un caméscope	36
Affichage des images d'un ordinateur personnel	36
Branchement d'un ordinateur personnel	36
Affichage de l'image d'un ordinateur personnel	37
Tableau de compatibilité ordinateur ..	37
Raccordement des câbles de commande	37
À propos de SR+	37

12 Annexe

Guide de dépannage	38
Caractéristiques techniques	39

Afin de bénéficier au mieux de cet écran plasma Pioneer PureVision PRO-FHD1, veuillez lire d'abord attentivement ces informations.

Grâce à l'écran plasma Pioneer PureVision PRO-FHD1, vous disposez d'un affichage plasma de haute qualité, qui fournira un service très fiable et de longue durée. Pour vous offrir des images d'une qualité exceptionnelle, l'écran plasma Pioneer jouit d'une conception et d'une fabrication de très haut niveau et il incorpore les technologies les plus récentes et les plus poussées.

L'Écran Pioneer PureVision PRO-FHD1 intègre la plus récente technologie de filtre couleur: Direct Colour Filter. En comparaison des modèles antérieurs, elle améliore la restitution des couleurs et des images. Ceci supprime aussi le besoin de placer un panneau de verre physique devant le panneau à plasma, un progrès qui contribue aussi à un objectif continu de Pioneer: réduire les déchets des produits électroniques grand public, aussi bien au moment de leur fabrication qu'à celui de leur recyclage à l'avenir.

Avec le temps, la luminosité de l'écran plasma Pioneer PRO-FHD1 diminue légèrement, comme c'est d'ailleurs le cas des écrans à tube phosphoré (tels que les téléviseurs classiques à tube cathodique). Pour profiter longtemps des belles images lumineuses que produit votre écran plasma Pioneer, lisez ce qui suit et respectez les consignes qui vous sont suggérées.

Instructions d'utilisation

Tout écran phosphoré, tel que celui des téléviseurs classiques à tube cathodique, se détériore par l'affichage prolongé d'images fixes. Les écrans plasma ne font pas exception à cette règle. Des images rémanentes et des effets permanents peuvent être évités en prenant certaines précautions simples. En suivant les recommandations ci-après, vous obtiendrez plus longtemps des résultats satisfaisants de votre écran plasma.

- Dans toute la mesure du possible, évitez l'affichage de la même image, ou d'une image pratiquement fixe (par exemple, les images sous-titrées et les images statiques des jeux vidéo).
- Évitez de faire apparaître, pendant une période prolongée, l'affichage sur écran produit par un décodeur, un lecteur de DVD, un magnétoscope, etc.
- Ne conservez pas longtemps une image fixe consécutive à une pause ou un arrêt sur image que le téléviseur, le magnétoscope, le lecteur de DVD ou tout autre appareil similaire est capable de produire.
- Les images comportant côte à côte des zones très lumineuses et des zones très sombres ne doivent pas, non plus, demeurer sur l'écran pendant de longues périodes.
- Lorsque vous jouez, nous vous conseillons vivement d'employer le mode "JEU" de "Sélection AV". Veuillez également à ce que les sessions de jeu ne dépassent pas 2 heures.
- Après un jeu, ou bien après l'affichage d'une image fixe provenant d'un ordinateur, il est souhaitable de passer des images animées avec les réglages "LARGE" ou "PLEIN" pendant une période supérieure à 3 fois la durée de l'image fixe précédemment affichée.
- Après avoir utilisé l'écran plasma, passez toujours en mode "veille" ("STANDBY").

- Le visionnement prolongé d'un contenu présentant des masques supérieur, inférieur ou latéraux peut entraîner une usure inégale. Après avoir visionné un contenu masqué, il est souhaitable de passer des images animées sur tout l'écran pendant une durée égale ou supérieure.

Instructions d'installation

L'écran plasma Pioneer PureVision PRO-FHD1 a un design très mince. Pour des raisons de sécurité et pour éviter la chute de l'appareil en cas de vibrations ou de mouvement accidentel, prenez les mesures appropriées afin d'installer et de fixer correctement votre écran plasma.

Cet appareil doit être installé en faisant usage des pièces et des accessoires conçus par PIONEER, à l'exclusion de tous autres. L'emploi d'accessoires autres que le support et l'applique PIONEER peut se traduire par une instabilité de l'appareil qui peut être la cause d'une blessure. Dans le cas où vous désirez une installation spéciale, consultez le magasin où vous avez acheté l'appareil. Pour vous garantir une installation correcte et sûre, il est préférable de vous adresser à un technicien expérimenté et qualifié. PIONEER ne saurait être tenue responsable ni des accidents ni des dommages provoqués par l'utilisation de pièces ou d'accessoires provenant d'autres fabricants.

Pour éviter toute anomalie et toute surchauffe, veuillez à ce que les ouïes de l'appareil ne soient pas obstruées de manière que la chaleur puisse se dissiper:

- Éloignez légèrement l'appareil des autres équipements, des murs, etc. L'espace minimum requis est indiqué à la page 16.
- N'introduisez pas l'appareil dans un espace exigu où la ventilation est médiocre.
- Ne recouvrez pas l'appareil d'un linge, etc.
- Au moyen d'un aspirateur réglé à la puissance minimale, nettoyez périodiquement les ouïes latérales et arrière pour supprimer les poussières qui pourraient s'y accumuler.
- Ne posez l'appareil ni sur un tapis ni sur une couverture.

L'utilisation de l'appareil sans ventilation convenable, peut provoquer une élévation de la température intérieure qui peut se traduire par une anomalie de fonctionnement. Lorsque la température ambiante ou interne excède une certaine valeur, l'écran se met de lui-même hors tension pour que les circuits électroniques puissent se refroidir et que tous les risques soient ainsi écartés.

Une anomalie de fonctionnement peut survenir en raison du choix de l'emplacement d'installation, d'un montage non conforme, d'une installation défectueuse, de l'utilisation même de l'appareil, de modifications apportées à ses caractéristiques. Toutefois, PIONEER ne saurait être tenue responsable de ces anomalies.

REMARQUE

Les effets et caractéristiques indiqués ci-après sont habituellement rencontrés sur les écrans matriciels à luminophores et en tant que tels ne sont pas couverts par les garanties limitées du fabricant:

- Images rémanentes sur les luminophores du panneau.
- Présence d'un très faible nombre de cellules lumineuses inactives.
- Sons propres au panneau, par exemple: bruit de ventilateur de refroidissement et ronflement de circuit électrique / bourdonnement de panneau de verre.

DANGER

PIONEER ne saurait être tenue responsable des dommages survenant à la suite d'un usage incorrect de l'appareil, par vous-même ou d'autres personnes, des anomalies de fonctionnement, des perturbations que l'appareil peut causer à d'autres équipements à moins que sa responsabilité soit clairement engagée.

Fonction de protection de l'écran plasma

Lorsque vous affichez des images fixes (photos ou images fournies par un ordinateur) pendant une longue période, la luminosité de l'écran est légèrement réduite. Cette disposition automatique résulte de l'action d'une fonction de protection de l'écran qui atténue sa luminosité dès que la présence d'une image fixe est détectée. La baisse de luminosité survient après qu'une image fixe a été détectée pendant 3 minutes.

Informations sur les défauts de cellules

Les écrans plasma affichent les informations au moyen de cellules. Ceux de Pioneer contiennent un très grand nombre de ces petites alvéoles (plus de 6,2 millions de cellules selon la taille de l'écran). Tous les écrans d'affichage Pioneer sont fabriqués avec une technologie de très haute précision et ils font l'objet d'un contrôle de qualité individuel très strict.

Dans des cas rares, certaines de ces cellules peuvent rester éteintes ou allumées, donnant lieu à un point noir ou coloré subsistant en permanence sur l'écran.

Ce phénomène est commun à tous les écrans plasma car il résulte de cette technologie particulière.

Si des cellules défectueuses sont visibles à une distance de vision normale comprise entre 2,5 et 3,5 mètres en regardant une émission normale (c.à.d. pas une carte d'essai, une image fixe ou un affichage monochrome), veuillez contacter le Service de Soutien Clientèle (Etats-Unis) ou le Service de Satisfaction Clientèle (Canada). Consultez le verso de la couverture.

Si, toutefois, ils ne sont visibles que de près ou lors d'affichages d'une seule couleur, ceci doit être considéré comme normal dans le cas de cette technologie.

Rayonnement infrarouge

En raison de ses caractéristiques mêmes, l'écran plasma émet un rayonnement infrarouge. Selon la manière dont l'écran plasma est utilisé, le fonctionnement des boîtiers de télécommande des appareils à proximité de l'écran peut être profondément perturbé; pareillement des combinés téléphoniques sans cordon qui sont alors brouillés. Dans une telle situation, changez l'emplacement de l'appareil pour que son capteur de télécommande soit hors de la zone de perturbation.

Brouillage radioélectrique

Bien que cet appareil réponde aux caractéristiques exigées, il faut savoir qu'il génère un brouillage. Si vous placez un récepteur de radio AM, un ordinateur personnel ou un magnétoscope dans le voisinage de cet appareil, leur fonctionnement peut être perturbé par le brouillage. En ce cas, éloignez l'appareil concerné.

Bruit de fonctionnement d'écran plasma

L'affichage de l'écran plasma est composé de pixels extrêmement fins et ces pixels émettent de la lumière en fonctions des signaux vidéo reçus. Ce principe peut faire que l'écran plasma donne lieu à un son de bourdonnement ou de ronflement de circuit électrique.

Ne collez aucune étiquette ni aucun ruban sur l'appareil

- Cela peut décolorer ou rayer la carrosserie.

Si vous n'utilisez pas l'appareil pendant une longue période

- Si vous conservez l'appareil non utilisé pendant longtemps, son fonctionnement peut en souffrir profondément. Mettez l'appareil en service et faites-le fonctionner régulièrement.

Condensation

- De la condensation peut se former à la surface ou à l'intérieur de l'appareil si vous le transportez rapidement d'une pièce froide dans une pièce chaude, ou bien, lorsque, le matin, en hiver, vous allumez un appareil de chauffage. Si de la condensation se forme, ne mettez pas l'appareil en service et attendez qu'elle ait disparu. Mettre l'appareil en service alors que de la condensation s'est formée, peut provoquer une anomalie de fonctionnement.

Nettoyage de la surface de l'écran et de la surface brillante de la carrosserie avant

- Pour nettoyer la surface de l'écran ou la surface brillante de la carrosserie avant, essuyez-la doucement avec un chiffon doux et sec; le chiffon de nettoyage fourni ou tout autre chiffon similaire (par exemple, en coton ou flanelle). Si vous utilisez un chiffon sale ou dur ou si vous essuyez excessivement fort, la surface peut être rayée.
- Si vous utilisez un chiffon humide pour le nettoyage de l'écran, des gouttelettes d'eau peuvent pénétrer dans l'appareil et provoquer une anomalie de fonctionnement.

Nettoyage de la carrosserie

- Pour nettoyer la carrosserie de cet appareil, essuyez-la doucement avec un chiffon doux et propre (par exemple, en coton ou flanelle). Si vous utilisez un chiffon sale ou dur ou si vous essuyez excessivement fort, la surface peut être rayée.
- La carrosserie de cet appareil est essentiellement composée de matières plastiques. N'utilisez aucun produit chimique (essence, diluant, etc.) pour la nettoyer. Ces produits chimiques peuvent endommager la finition ou la faire peler.
- N'exposez pas l'appareil à des gaz ni à des liquides vaporisés tels que les insecticides. Ne conservez pas l'appareil en contact prolongé avec des matériaux en caoutchouc ou en vinyle. Le plastifiant de la matière plastique peut endommager la finition ou la faire peler.
- Si vous utilisez un chiffon humide pour le nettoyage de l'écran, des gouttelettes d'eau peuvent pénétrer dans l'appareil et provoquer une anomalie de fonctionnement.

Poignées placées à l'arrière de l'écran plasma

- Ne déposez pas les poignées que porte l'écran plasma, à l'arrière.
- Pour déplacer l'écran plasma, faites-vous aider par une autre personne et utilisez les poignées fixées à l'arrière de l'écran plasma. Ne déplacez pas l'écran plasma en ne vous aidant que d'une seule poignée. Utilisez les poignées de la manière illustrée.
- N'utilisez pas les poignées pour suspendre l'appareil lors de son installation. Ne les utilisez pas non plus pour empêcher la chute de l'appareil.

DANGER

Rémanence d'image sur le panneau

- L'affichage de la même image pendant une longue période peut provoquer une rémanence de cette image. Cela peut spécialement se produire dans les circonstances suivantes.

1 Image rémanente due à la charge électrique

Si une image présentant des zones très lumineuses est affichée pendant plus d'une minute, une image rémanente produite par la charge électrique importante peut en résulter. Cette image rémanente s'estompe peu à peu dès qu'une image animée la remplace. Le temps requis pour la disparition de l'image dépend de la luminosité de l'image fixe qui lui a donné naissance et du temps d'exposition de cette image.

2 Image rémanente due au brûlage

Évitez d'afficher la même image pendant longtemps et de façon continue sur l'écran plasma.

Ceci s'applique aux images affichées selon les modes suivants : fonction multiécrans, format d'écran 4:3, format d'écran PLEIN 14:9, format d'écran CINÉMA 14:9, format d'écran Pt par Pt (sauf si le format d'entrée est 1920x1080), et images à bandes noires dans le haut/bas ou sur la gauche/droite.

Si la même image demeure sur l'écran pendant plusieurs heures, ou encore apparaît tous les jours au cours d'une période plus courte mais répétée, une image rémanente peut être produite par brûlage de la couche fluorescente de l'écran. Cette image rémanente devient moins visible après l'affichage d'images animées mais elle ne disparaît jamais complètement.

- La fonction d'économie d'énergie peut être employée pour éviter ce genre de phénomène dommageable (reportez-vous à la page 29).

Rémanence

Quand une image statique reste immobile pendant plusieurs heures sur un affichage, une légère impression de l'image, appelée rémanence, peut subsister sur l'écran. Cette rémanence peut être soit passagère, soit permanente. Bien qu'elle soit provoquée par des causes différentes, cette persistance de l'image se produit quelle que soit la technologie de l'affichage, qu'il soit à plasma ou à cristaux liquides. Sur les écrans plasma actuels, une rémanence permanente des images n'est guère à craindre et, dans la plupart des cas, elle peut être évitée simplement en regardant des images mobiles.

Appelée également "brûlage", une rémanence peut se produire sur tous les systèmes d'affichage phosphoré (y compris les téléviseurs à tube cathodique, tant à vue directe qu'à projection, et les écrans plasma). Il est conseillé d'éviter l'affichage d'une même image fixe pendant une longue période, car une rémanence d'image ou un brûlage peut se produire sur l'écran. Les principes recommandés sont les suivants :

N'affichez pas pendant longtemps des images statiques (telles que des images gelées ou des images fixes provenant d'un ordinateur personnel ou d'une console de jeux vidéo et/ou des images telles qu'un indicateur de l'heure ou le logo d'un canal).

N'affichez pas un contenu à rapport d'image 4:3 (barres noires ou grises sur les côtés gauche et droit du contenu affiché) ou un contenu "letter-box" (barres noires au-dessus et au-dessous du contenu affiché) pendant longtemps. Évitez d'utiliser l'un ou l'autre de ces modes de visionnement de façon répétée pendant une courte période. Ce système d'écran plasma dispose de plusieurs modes de visionnement à écran large. Utilisez l'un d'eux pour remplir tout l'écran avec un contenu affiché.

Le fait d'afficher des images foncées après que des images fixes ont été affichées pendant longtemps peut entraîner une rémanence d'image. Dans la plupart des cas, ce phénomène sera corrigé en affichant des images claires pendant une durée comparable.

Si vous affichez des images fixes pendant une durée prolongée sur votre écran plasma, il se peut que la rémanence devienne irréparable.

L'électricité permet de disposer d'un grand nombre de fonctions utiles mais elle peut être la source de blessures et de dommages matériels si certaines précautions ne sont pas respectées. Cet appareil a été conçu et fabriqué en tenant le plus grand compte de la sécurité. Toutefois, son utilisation incorrecte peut conduire à ressentir une secousse électrique, ou à provoquer un incendie. Pour éviter tout risque potentiel, observez les instructions qui suivent lorsque vous installez, utilisez ou nettoyez l'appareil. Pour votre sécurité et pour prolonger la durée de service de l'appareil, lisez soigneusement ce qui suit avant de l'utiliser.

1. Prenez connaissance du mode d'emploi — Vous devez lire toutes les instructions relatives à la sécurité et au fonctionnement avant de faire usage de l'appareil.
2. Conservez le mode d'emploi — De manière à pouvoir vous y reporter ultérieurement, conservez soigneusement les instructions relatives à la sécurité et au fonctionnement.
3. Observez les mises en garde — Toutes les mises en garde apposées sur l'appareil ou mentionnées dans le mode d'emploi doivent être observées.
4. Respectez les instructions — Toutes les instructions de fonctionnement et d'entretien doivent être respectées.
5. Nettoyage — Débranchez la fiche du câble d'alimentation avant de nettoyer cet appareil. Pour nettoyer cet appareil, utilisez le chiffon fourni ou tout autre chiffon doux (p. ex., en coton ou flanelle). N'utilisez aucun liquide de nettoyage ni aucun aérosol.
6. Eau et humidité — N'utilisez pas l'appareil près d'un point d'eau tel que baignoire, lavabo, évier, machine à laver, piscine, ni dans un sous-sol humide.
7. Support — Ne déposez pas l'appareil sur une table, un chariot, un support, un trépidé, une console instables. L'appareil pourrait tomber, être gravement endommagé ou sérieusement blesser quelqu'un. Utilisez uniquement un chariot, un support, un trépidé, une console ou une table conseillés par le fabricant ou vendus avec l'appareil. Si l'appareil doit être fixé sur un mur, respectez scrupuleusement les instructions de montage du fabricant. N'utilisez que les accessoires de montage conseillés par le fabricant.
8. Si vous déplacez l'appareil en le posant sur un chariot, manœuvrez celui-ci avec précaution. Des arrêts brusques, une poussée excessive, des irrégularités à la surface du sol peuvent provoquer la chute de l'appareil.



9. Ventilation — Les événements et autres ouvertures de la carrosserie sont destinés à la ventilation. Ne les couvrez pas, ne les obstruez pas car une réduction de la ventilation peut entraîner une augmentation de la température interne de l'appareil et par voie de conséquence une diminution de sa durée de vie. Ne posez pas l'appareil sur un lit, un canapé, un tapis ou une surface similaire car cela pourrait conduire à l'obstruction des ouvertures de ventilation. Cet appareil n'a pas été conçu pour être encastré; ne l'installez pas dans un endroit clos tel qu'une bibliothèque fermée ou une baie, à moins que la ventilation convenable puisse être assurée conformément aux instructions fournies par le fabricant.
10. Alimentation — Cet appareil ne doit être alimenté qu'à partir d'une source conforme à l'indication que porte la plaquette signalétique. Si vous ne connaissez pas la nature de la source, prenez conseil du distributeur ou de la compagnie d'électricité.
11. Protection du cordon d'alimentation — Le câble d'alimentation doit cheminer de manière qu'on ne puisse pas le piétiner, ni qu'il soit écrasé par un meuble ou un objet lourd. Examinez soigneusement le cheminement du câble d'alimentation près de la prise secteur et au point de sortie de l'appareil.

12. Le panneau de l'écran plasma est en verre. Il peut donc être brisé par la chute de l'appareil, ou par un choc. En cas de casse du panneau, veillez à ne pas être blessé par les débris.
13. Surcharge — Ne surchargez pas les prises secteur ou les rallonges. Cela peut entraîner un incendie, ou encore vous exposer à une secousse électrique.
14. Introduction d'objets étrangers ou de liquide — N'introduisez aucun objet dans les ouvertures de l'appareil. Des tensions élevées existent à l'intérieur de l'appareil, en sorte que le contact d'un objet avec les points portés à haute tension peut entraîner un incendie, ou encore vous exposer à une secousse électrique. Pour les mêmes raisons, ne renversez ni eau ni autre liquide sur l'appareil.
15. Entretien — Ne tentez pas de réparer cet appareil par vous-même. La dépose des capots peut vous exposer à des tensions dangereuses ou à d'autres risques. Faites entretenir l'appareil par du personnel qualifié pour cela.
16. Réparations — Dans l'un des cas ci-dessous, débranchez la fiche du câble d'alimentation et faites vérifier ou réparer l'appareil par du personnel qualifié pour cela.
 - a. Le câble ou la fiche d'alimentation sont endommagés.
 - b. Un liquide a été renversé sur l'appareil, ou encore un objet étranger a été introduit dans l'appareil par une de ses ouvertures.
 - c. L'appareil a été exposé à la pluie ou à l'eau.
 - d. L'appareil est tombé, ou sa carrosserie a été endommagée.
 - e. Le fonctionnement anormal de l'appareil est évident. Toute anomalie de fonctionnement visible justifie que l'appareil soit apporté à un service après-vente.
17. Pièces de rechange — Si une pièce doit être remplacée, assurez-vous auprès du service de réparation qu'elle le sera par la pièce prescrite par le fabricant ou une pièce ayant des caractéristiques et des performances identiques. L'utilisation d'une pièce non conforme à l'original peut entraîner un incendie, ou vous exposer à une secousse électrique ou à d'autres dangers.
18. Contrôle de sécurité — Après toute intervention sur cet appareil, exigez du service de réparation qu'il effectue un contrôle de sécurité afin de s'assurer que l'appareil peut être utilisé sans danger.
19. Montage sur un mur ou en plafond — Si l'appareil doit être monté sur un mur ou en plafond, assurez-vous que cela sera exécuté conformément à la méthode conseillée par le fabricant.
20. Sources de chaleur — Conservez l'appareil loin des appareils de chauffage (radiateurs, poêles) et des appareils qui dégagent de la chaleur (y compris les amplificateurs).
21. Débranchez la fiche du cordon d'alimentation avant d'effectuer le raccordement des enceintes.
22. Veillez à ce que le système d'écran plasma ne soit pas heurté. Un choc ou un impact pourraient provoquer la rupture du panneau, ce qui pourrait entraîner un incendie ou causer des blessures.
23. N'exposez pas le système d'écran plasma à la lumière directe du soleil pendant une longue période. Les caractéristiques optiques du panneau avant protecteur seraient modifiées, ce qui se traduirait pas des décolorations et des déformations.
24. L'écran plasma pèse environ 39,8 kg. En raison de sa faible profondeur, cet appareil est instable et il doit donc être débarrassé, transporté et installé par deux personnes au moins en utilisant les poignées prévues à cet effet.

Installation à l'aide du support ou de la fixation PIONEER en option

- Que ce soit à l'aide du support ou de la fixation, l'installation de l'écran plasma doit être réalisée par un technicien compétent ou par le revendeur.
- Lors de l'installation, utilisez les boulons fournis avec le support ou la fixation.
- Pour de plus amples détails concernant l'installation, reportez-vous aux instructions qui accompagnent le support ou la fixation.

Installation à l'aide d'accessoires autres que le support ou la fixation PIONEER (vendus séparément)

- Dans toute la mesure du possible, utilisez des pièces et des accessoires fabriqués par PIONEER. PIONEER ne pourra être tenue responsable des accidents et dommages qui résulteraient de l'utilisation de pièces ou d'accessoires fabriqués par des tiers.
- Pour effectuer une installation personnalisée, consultez le revendeur ou un technicien compétent.

Accrochage de l'écran plasma à un mur

L'écran plasma possède des perçages destinés à permettre sa fixation sur un mur, etc. Les perçages prévus sont indiqués sur l'illustration fournie.

- L'écran plasma doit être maintenu en 4 points (minimum) placés au-dessus et au-dessous de l'axe horizontal, et à droite et à gauche de l'axe vertical.
- Utilisez des boulons d'une longueur suffisante pour pénétrer de 12 mm à 18 mm au moins dans l'écran plasma à partir de sa surface de fixation. Reportez-vous à la vue de côté sur l'illustration fournie.
- L'écran plasma est muni d'une vitre qui interdit sa pose sur une surface qui n'est pas plane.

ATTENTION

Pour éviter toute anomalie de fonctionnement, une surchauffe de l'écran plasma et un incendie, veillez, en fin d'installation, à ce que les ouïes d'aération ne soient pas obstruées. Par ailleurs, de l'air chaud étant évacué par les ouïes d'aération, l'accumulation de poussières sur la surface d'installation et sa détérioration progressive sont à considérer.

ATTENTION

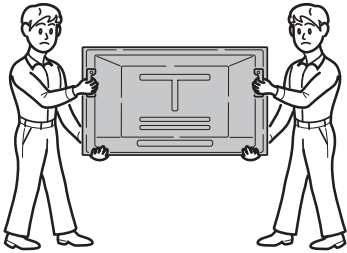
Assurez-vous d'utiliser un boulon M8 (pas = 1,25 mm). (Seule cette taille de boulon peut être utilisée)

ATTENTION

L'épaisseur de cet écran plasma est très réduite. Veillez à ce qu'il ne puisse pas se renverser s'il est soumis à des vibrations.

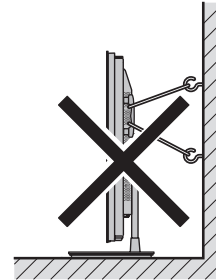
⚠ ATTENTION

- Seul un technicien spécialisé en installation ou un personnel de service sera habilité à détacher ou à rattacher les poignées.
- Lors du déplacement de l'écran, il doit toujours être transporté par deux personnes, saisissant les poignées arrière comme illustré ici.

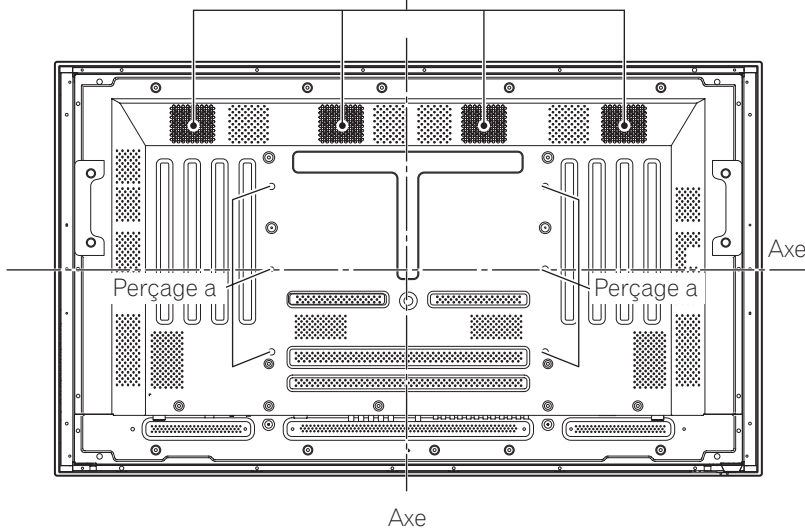


⊘ NON !

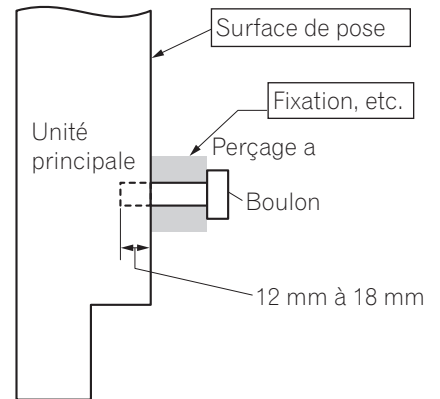
- N'essayez jamais de déplacer l'écran plasma en ne le tenant que par une de ses poignées.
- Lors de l'installation de l'écran plasma, n'utilisez pas ses poignées pour le suspendre à une paroi ni comme moyen d'éviter qu'il ne bascule (voir l'illustration).



Ouïes d'aération (ventilateur)



Vue arrière

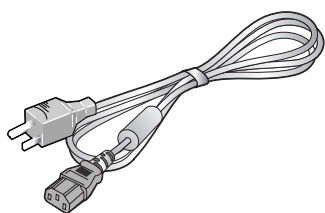


Vue de côté

• **Pour de plus amples détails concernant ces options, consultez le revendeur.**

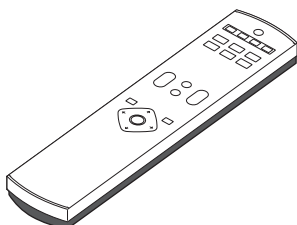
- 1 Support de bureau (PDK-TS23) :
Support pour écran PRO-FHD1.
- 2 Suspension murale :
Applique d'installation murale, conçue comme support de fixation de l'appareil.

- 1 Cordon d'alimentation (2 m)

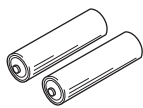


Seul le cordon d'alimentation convenant pour le pays ou la région de distribution, est fourni.

- 2 Télécommande



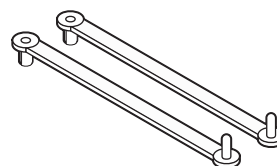
- 3 Piles AA (R6) (x 2)



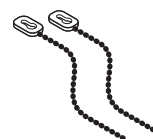
- 4 Chiffon de nettoyage



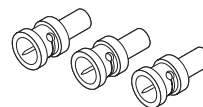
- 5 Colliers rapides (x 2)



- 6 Serre-câble (x 2)



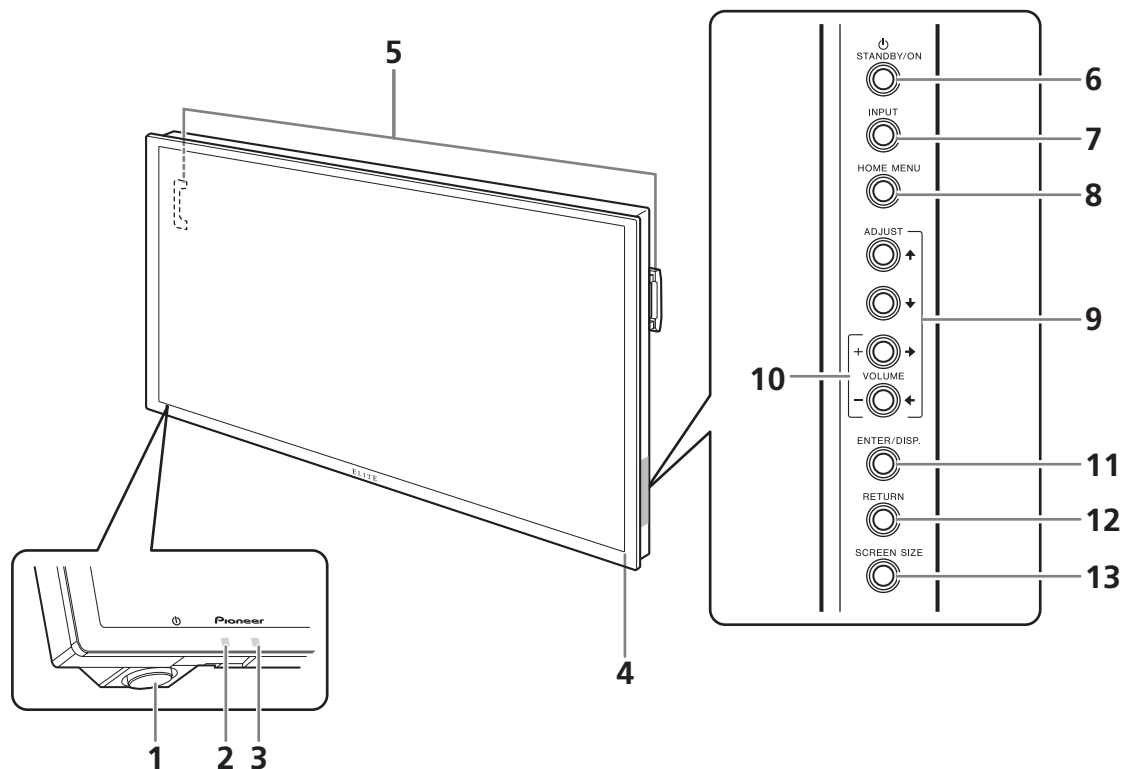
- 7 Adaptateur de conversion BNC/broche (x 3)



- Le présent mode d'emploi
- Carte de garantie

Unité principale

Panneau de commande de l'unité principale



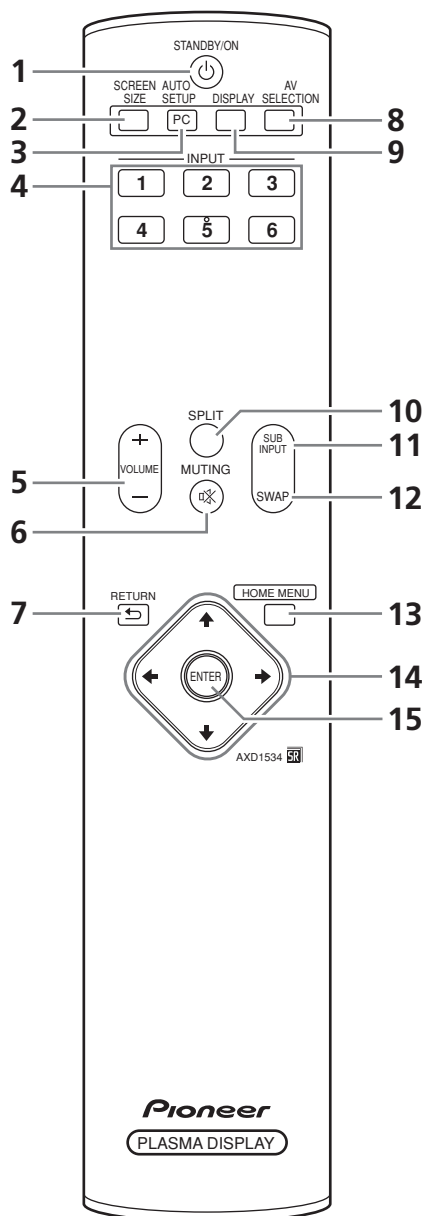
Unité principale

- 1 Interrupteur **MAIN POWER**
- 2 Témoin **ON**
- 3 Témoin **STANDBY**
- 4 Capteur de télécommande
- 5 Poignées

Panneau de commande de l'unité principale

- 6 Touche **STANDBY/ON**
- 7 Touche **INPUT**
- 8 Touche **HOME MENU**
- 9 Touches **ADJUST (↑/↓/←/→)**
- 10 Touches **VOLUME +/-**
- 11 Touche **ENTER/DISP.**
- 12 Touche **RETURN**
- 13 Touche **SCREEN SIZE**

Télécommande

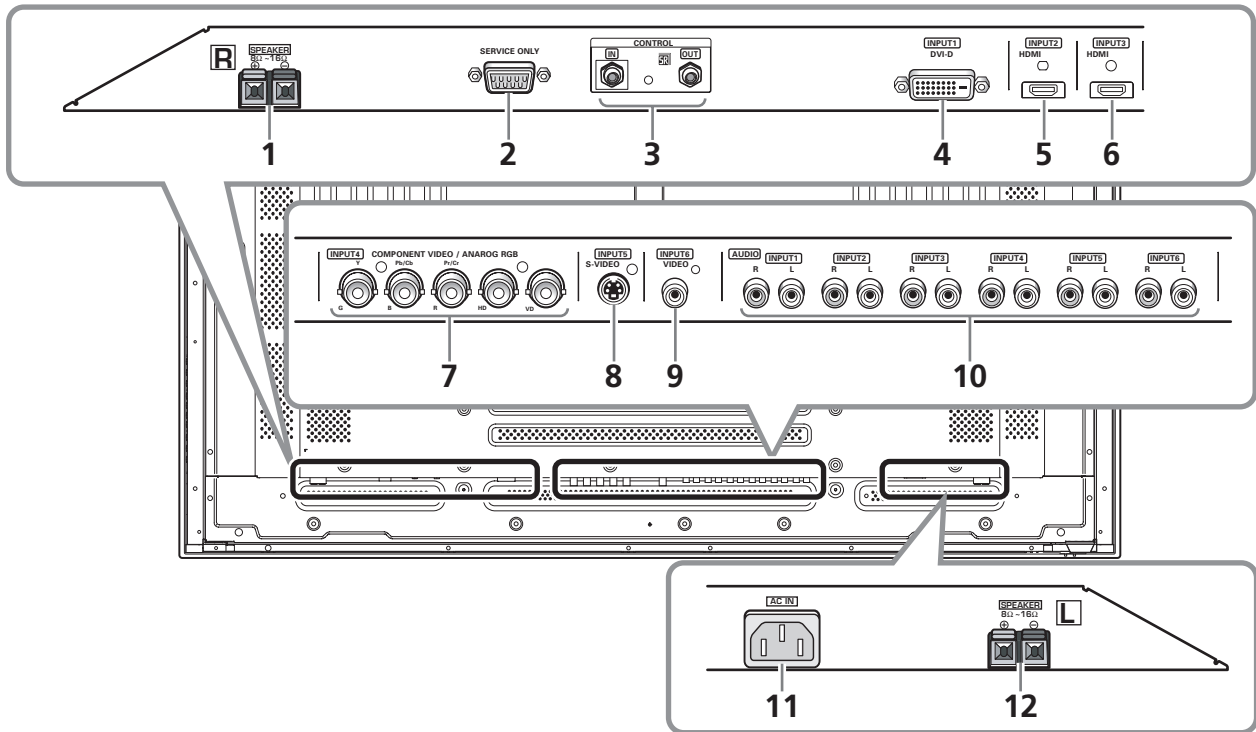


- 1 Touche **STANDBY/ON****
Pour mettre l'appareil sous tension ou en mode veille (page 21).
- 2 Touche **SCREEN SIZE****
Pour sélectionner la taille de l'écran (page 23).
- 3 Touche **PC AUTO SET UP****
A l'entrée d'un signal d'ordinateur, elle permet de régler automatiquement les paramètres "Position", "Horloge" et "Phase" aux valeurs optimales (page 30).
- 4 Touches **INPUT 1 à 6****
Pour sélectionner la page d'entrée (page 31).
- 5 Touches **VOLUME (+/-)****
Pour ajuster l'intensité du son (page 21).
- 6 Touche **MUTING****
Pour mettre le son en sourdine (page 21).
- 7 Touche **RETURN****
Pour revenir à l'écran de menu précédent (pages 24 à 27).
- 8 Touche **AV SELECTION****
Pour sélectionner la fonction audiovisuelle (AV) (page 22).
- 9 Touche **DISPLAY****
Pour visionner l'entrée actuelle de l'appareil et le mode de configuration (page 22).
- 10 Touche **SPLIT****
Pour passer à l'affichage multiécrans (page 22).
- 11 Touche **SUB INPUT****
Pendant l'affichage multiécrans, elle permet de changer les entrées aux écrans secondaires (page 22).
- 12 Touche **SWAP****
Pendant l'affichage multiécrans, elle permet d'alterner entre l'écran principal et l'écran secondaire (page 22).
- 13 Touche **HOME MENU****
Sa pression permet d'ouvrir et de fermer la page de menu sur écran (page 24 à 37).
- 14 Touches **ADJUST (▲/▼/◀/▶)****
Pour naviguer sur les pages de menu et effectuer les divers réglages sur l'appareil (page 24 à 37) .
- 15 Touche **ENTER****
Pour ajuster ou saisir les divers réglages sur l'appareil (page 24 à 37).

Manipulation du Télécommande

- Ne laissez pas tomber la télécommande et ne l'exposez pas à de l'humidité.
- N'utilisez pas la télécommande en plein soleil, près d'un appareil de chauffage, dans une atmosphère très humide.
- Si la portée de la télécommande a sensiblement diminué, cela veut dire que les piles sont usagées. Remplacez alors les piles dès que possible.

Panneau des connexions

**1** Prises **SPEAKER (R)**

Pour le branchement d'un haut-parleur droit externe. Branchez ici un haut-parleur ayant une impédance comprise entre 8 Ω et 16 Ω .

2 Prise pour réglages de service (utilisée pour la configuration en usine)

Ne branchez jamais aucun composant sur ce connecteur sans consulter au préalable le technicien d'installation Pioneer.

Cette prise est réservée aux réglages de configuration de l'écran plasma.

3 Prises **CONTROL IN/OUT****4** Prise **INPUT1** (DVI-D)**5** Prise **INPUT2** (HDMI)**6** Prise **INPUT3** (HDMI)**7** Prises **INPUT4**

(COMPONENT VIDEO : Y, Pb/Cb, Pr/Cr, ANALOG RGB : G, B, R, HD, VD)

8 Prise **INPUT5** (S-VIDEO)**9** Prise **INPUT6** (VIDEO)**10** Prises **AUDIO INPUT**

Connecteurs d'entrée audio correspondant aux connecteurs d'entrée vidéo INPUT1 à INPUT6.

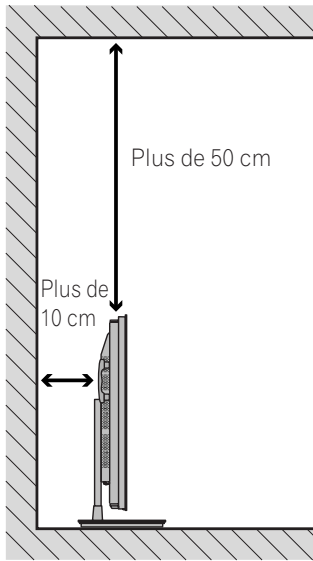
11 Prise d'entrée secteur (**AC IN**)

Pour le branchement du cordon d'alimentation fourni sur une prise secteur.

12 Prises **SPEAKER (L)**

Pour le branchement d'un haut-parleur gauche externe. Branchez ici un haut-parleur ayant une impédance comprise entre 8 Ω et 16 Ω .

Installation de l'écran plasma



Emplacement

- Évitez que l'écran ne soit exposé à la lumière directe du soleil. Veillez à ce qu'il soit convenablement ventilé.
- Le poids de l'écran plasma étant élevé, faites-vous aider si vous devez le déplacer.

REMARQUE

- Ménagez un espace suffisant au-dessus et à l'arrière pour garantir une ventilation adéquate de l'arrière de l'unité.

Utilisation du support PIONEER en option

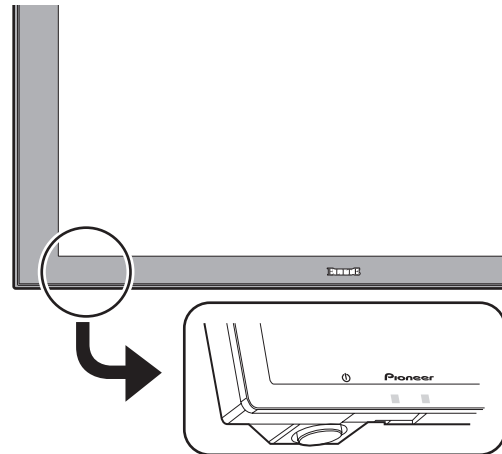
- Pour les détails concernant l'installation, reportez-vous au mode d'emploi fourni avec le support.

DANGER

Milieu de fonctionnement

Température et humidité du milieu de fonctionnement :
De +0 °C à +40 °C ; Humidité relative inférieure à 85 % (orifices de ventilation non obstrués)
N'installez pas l'appareil dans un endroit mal ventilé ou un lieu soumis à une forte humidité ou en plein soleil (ou à une forte lumière artificielle).

DANGER



Comme le montre l'illustration ci-dessus, certaines pièces faisant saillie, telles que l'interrupteur principal (MAIN POWER) et des commandes requises pour l'affichage, sont regroupées dans le coin inférieur gauche de l'écran.

Par conséquent, lors du transport et de l'installation de l'appareil, veillez à ne pas soumettre cette partie à des chocs ou à une pression indue, car ces pièces pourraient en être endommagées.

Pour empêcher l'écran plasma de se renverser

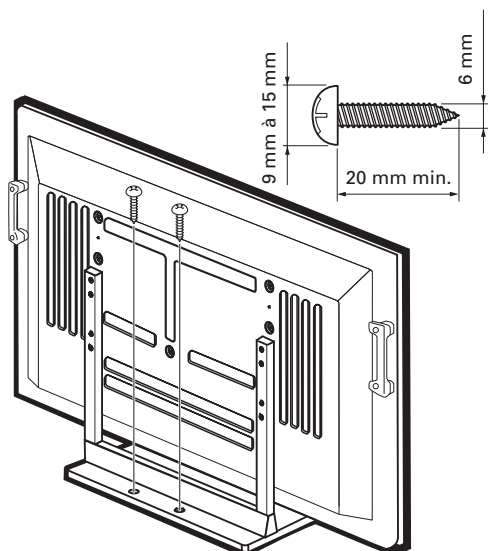
Après avoir installé le support, veillez à prendre toutes les précautions nécessaires pour empêcher l'écran plasma de se renverser.

Fixation sur une table ou au sol

A l'aide de vis disponibles dans le commerce, fixez l'écran plasma comme montré sur l'illustration.

REMARQUE

Pour fixer l'écran plasma sur une table ou au sol, utilisez des vis d'un diamètre nominal de 6 mm et d'au moins 20 mm de longueur.



DANGER

Une table ou une zone du sol d'une résistance suffisante doit toujours être utilisée pour soutenir l'écran plasma. Le non respect de cette consigne peut donner lieu à un accident corporel et à un endommagement physique.

Lors de l'installation de l'écran plasma, veuillez prendre les mesures de sécurité nécessaires pour l'empêcher de tomber ou de se renverser en cas d'urgence, tel que tremblement de terre ou accident.

Si vous ne prenez pas ces précautions, l'écran plasma risque de tomber ou de se renverser et de causer des blessures.

Les vis, crochets, chaînes et autres ferrures que vous utilisez pour fixer l'écran plasma pour l'empêcher de se renverser diffèrent suivant la composition et l'épaisseur de la surface sur laquelle il sera fixé.

Sélectionnez les vis, crochets, chaînes et autres ferrures qui conviennent après avoir contrôlé la surface attentivement pour déterminer son épaisseur et sa composition et après avoir consulté un installateur professionnel si nécessaire.

Fixation à un mur

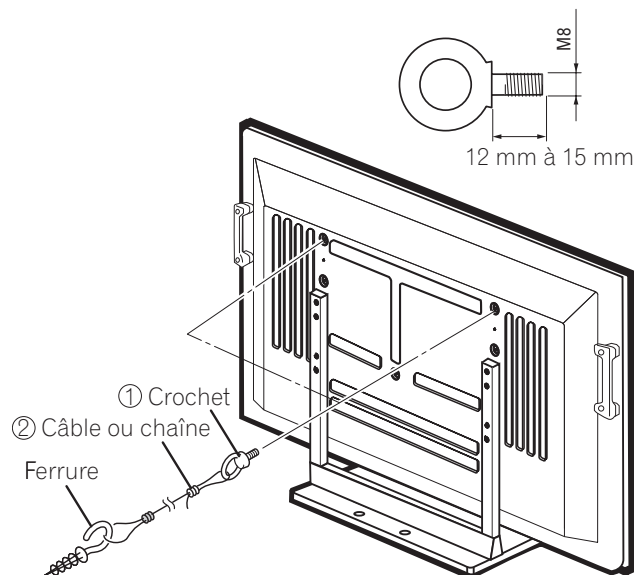
1. Fixez des boulons (crochets) de sécurité à l'écran plasma.
2. Utilisez de robustes câbles ou chaînes pour le fixer correctement et solidement à un mur, un pilier ou tout autre élément solide.

- Effectuez cette opération de la même façon sur les côtés gauche et droit.

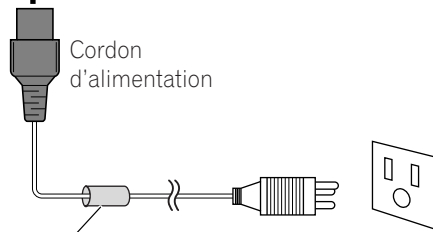
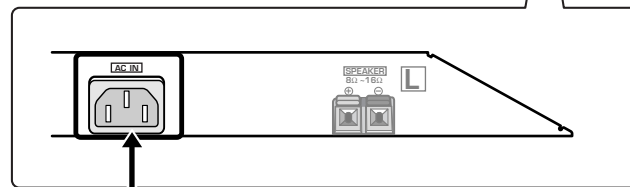
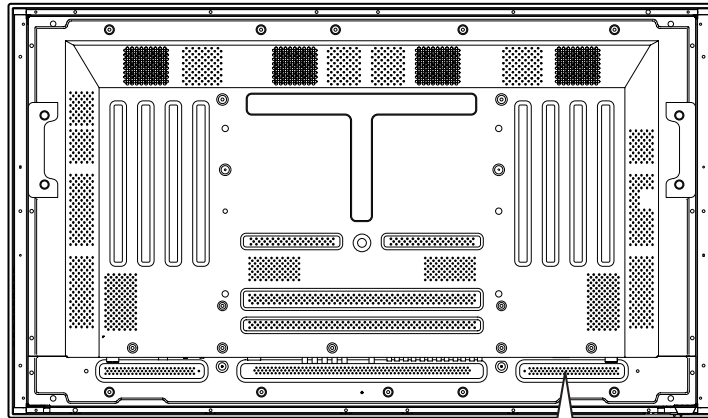
REMARQUE

Utilisez des crochets, câbles, chaînes et ferrures disponibles dans le commerce.

Crochets recommandés : diamètre nominal de 8 mm, longueur de 12 mm à 15 mm



Raccordement du cordon d'alimentation



Filtre de bruit
Il supprime partiellement le bruit dû à l'alimentation.

⚠ DANGER

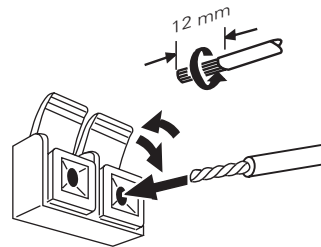
- N'utilisez que le cordon d'alimentation fourni.
- N'alimentez pas l'appareil sous une tension autre que celle indiquée car vous pourriez provoquer un incendie ou vous exposer à une secousse électrique.
- Par souci de sécurité, l'écran plasma est doté d'un cordon d'alimentation à 3 conducteurs. Veillez à brancher la fiche du cordon d'alimentation sur une prise secteur à 3 broches convenablement reliée à la terre.

✎ REMARQUE

- Coupez toujours l'alimentation de l'écran plasma avant de raccorder ou de débrancher les cordons d'alimentation.
- Débranchez le cordon d'alimentation au niveau de la prise du secteur si vous prévoyez de ne pas utiliser l'appareil pendant une longue durée.

Raccordement des enceintes

Cet appareil est doté de bornes de sortie pour enceintes. Avant de brancher vos propres enceintes, reportez-vous à l'illustration fournie.



Torsadez les brins mis à nu.

Soulevez la languette puis introduisez le conducteur. Abaissez la languette pour maintenir le conducteur en place.

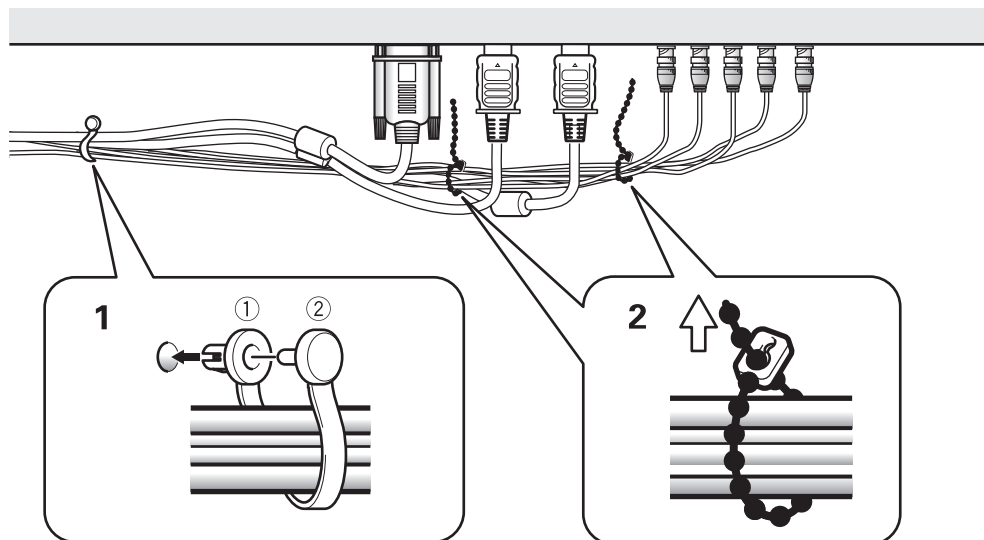
✎ REMARQUE

- Lors du branchement des enceintes, prenez soin de raccorder leurs bornes positives (+) et négatives (-) sur les mêmes bornes de l'écran plasma. Des sons de qualité ne seront pas produits si les bornes (+) et (-) ne sont pas raccordées correctement.
- Cet appareil prend en compte des enceintes d'une impédance de 8 Ω à 16 Ω.

Comment faire cheminer les câbles

Des colliers rapides et des serre-câble sont fournis pour lier les câbles en tre eux. Après raccordements des appareils, procédez aux opérations qui suivent.

* Vue de l'arrière de l'écran.



1. Groupez les câbles en utilisant les colliers rapides fournis.

Introduisez la partie ① dans un des perçages à l'arrière de l'écran plasma puis insérez ② à l'arrière de ① pour assurer la fixation.

Les colliers rapides sont conçus pour que l'ouverture soit difficile. Fermez-les soigneusement.

2. Liez les câbles et assurez leur maintien au moyen des serre-câble fournis.

Veillez à ce que les bouts des câbles ne subissent pas une tension excessive.

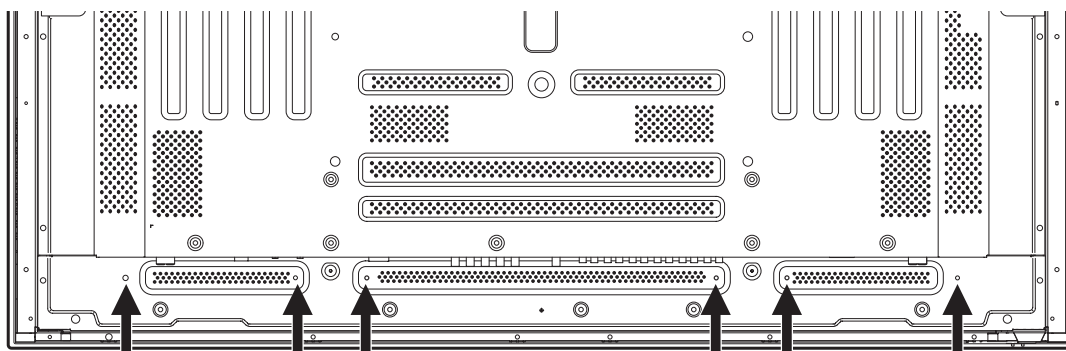
REMARQUE

- Les câbles peuvent cheminer d'un côté ou de l'autre.

Fixation des colliers rapides à l'écran plasma

Engagez les colliers rapides dans les trous 6 repérés par "o" sur l'illustration ci-dessous.

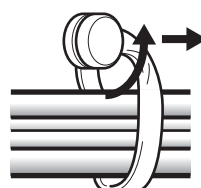
* Vue de l'arrière de l'écran.



Pour retirer les colliers rapides

A l'aide d'une pince, tordez le collier de 90° puis tirez-le vers vous.

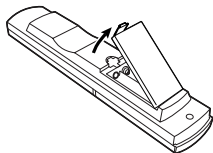
Avec le temps, le collier peut se détériorer et il peut être nécessaire de la remplacer après que vous l'avez retiré.



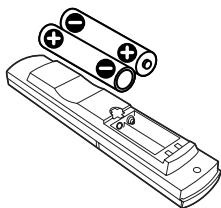
Préparation du boîtier de télécommande

Mise en place des piles

- 1 Ouvrez le couvercle du logement des piles.

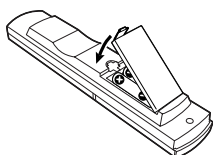


- 2 Mettez les deux piles AA fournies en place en introduisant d'abord le côté portant la borne négative (-).



- Positionnez les piles de manière à respecter les polarités (+) et (-) gravées dans le logement.

- 3 Fermez le couvercle du logement des piles.



Précautions relatives aux piles

L'utilisation incorrecte des piles peut entraîner la fuite de l'électrolyte, voire leur explosion. Respectez les instructions qui suivent.

- Quand vous remplacez les piles, utilisez des piles au manganèse ou des piles alcalines.
- Positionnez les piles de manière à respecter les polarités (+) et (-) indiquées.
- N'utilisez pas, en même temps, des piles de type différent. Si les types diffèrent, il en est de même des caractéristiques.
- N'utilisez pas tout à la fois une pile neuve et une pile usagée. Utiliser conjointement une pile neuve et une pile usagée peut se traduire par une réduction de la durée de vie de la pile neuve, ou une fuite de l'électrolyte de la pile usagée.
- Retirez les piles dès qu'elles sont usagées. L'électrolyte provenant d'une pile peut provoquer des démangeaisons. En cas de fuite de l'électrolyte, nettoyez soigneusement le logement des piles avec un chiffon.
- Les piles fournies avec cet appareil peuvent avoir une durée de service plus courte que prévue du fait des conditions de stockage.
- Retirez les piles si vous envisagez de ne pas faire usage du boîtier de télécommande pendant longtemps.



AVERTISSEMENT

- **N'utilisez pas et ne rangez pas des piles en plein soleil ou dans un endroit extrêmement chaud, tel qu'à l'intérieur d'une voiture au soleil ou à proximité d'un appareil de chauffage. En effet, l'électrolyte des piles pourrait suinter et, en s'échauffant, elles pourraient prendre feu ou**

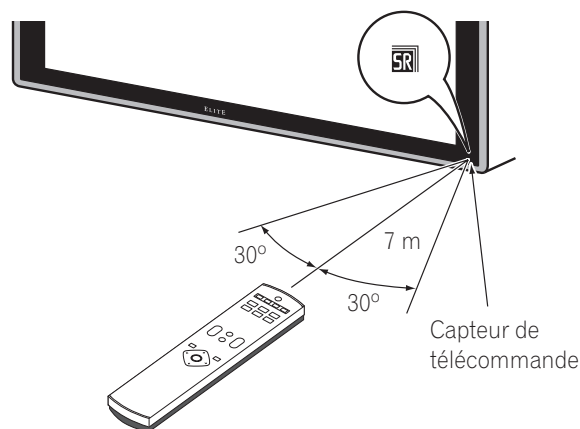
explorer. De plus, ceci peut aussi réduire l'autonomie et les performances des piles.

⚠ DANGER

- **LORSQUE VOUS DISEPOSEZ DE PILES / BATTERIES USÉES, VEUILLEZ VOUS CONFORMER AUX NORMES GOUVERNEMENTALES OU ENVIRONNEMENTALES EN VIGUEUR DANS VOTRE PAYS OU RÉGION.**

Portée du boîtier de télécommande

Agissez sur le boîtier de télécommande en le dirigeant vers le capteur (SRI) qui est placé à la partie inférieure droite de l'écran plasma. La distance du boîtier au capteur doit être inférieure à 7 mètres et l'angle du faisceau avec la face de l'écran doit être à 30 degrés, quelle que soit la position du boîtier dans l'espace.

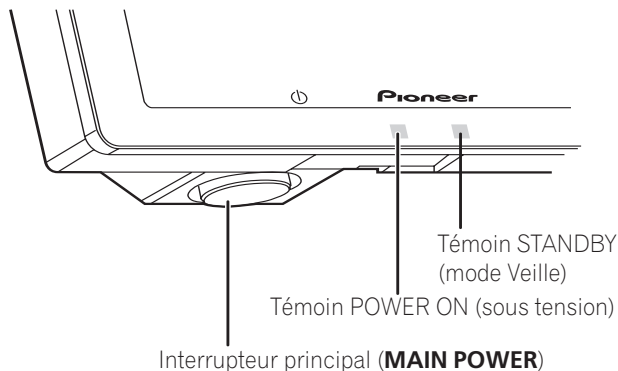


Précautions relatives au boîtier de télécommande

- Ne heurtez pas le boîtier de télécommande. Par ailleurs, n'exposez pas le boîtier de télécommande à des liquides et ne le conservez pas dans une atmosphère très humide.
- Ne conservez pas le boîtier de télécommande dans la lumière directe du soleil. La chaleur peut provoquer une déformation du boîtier.
- Le boîtier de télécommande peut être sans effet si le capteur de télécommande de l'écran plasma est éclairé par le soleil ou une vive lumière. Le cas échéant, changez l'orientation de l'éclairage ou de l'écran plasma, ou approchez le boîtier de télécommande du capteur.
- Si un obstacle se trouve placé entre le boîtier et le capteur de télécommande, l'action à distance de la télécommande peut être impossible.
- Lorsque les piles sont usagées, la portée du boîtier de télécommande peut être sensiblement réduite. En ce cas, remplacez les piles du boîtier par des piles neuves.
- Le panneau de l'écran plasma émet un très faible rayonnement infrarouge. Si vous placez à proximité de l'écran un appareil commandé à distance par des signaux infrarouges, par exemple un magnétoscope, la réception des signaux émis par le boîtier de télécommande de l'appareil peut être perturbée. En ce cas, éloignez l'appareil de l'écran plasma.
- Selon les conditions d'installation, les rayons infrarouges, émis par l'écran plasma, peuvent perturber le fonctionnement ou réduire la portée de la télécommande. La puissance des rayons infrarouges, émis par l'écran, varie selon l'image affichée.

Témoins d'état de l'écran plasma

Le tableau ci-après illustre l'état de fonctionnement de l'écran plasma. En observant les voyants sur l'appareil, vous pouvez connaître son état actuel.



État des témoins		État de l'écran plasma
POWER ON	STANDBY	
●	●	Le cordon d'alimentation de l'écran plasma est débranché. Ou bien le cordon d'alimentation de l'écran plasma est branché, mais l'interrupteur MAIN POWER de celui-ci est désactivé.
☀	●	L'écran plasma est sous tension.
●	☀	L'écran plasma est en mode Veille.
☀ Clignotant	●	La fonction Gestion d'alimentation (page 29) étant en service ("Marche"), aucun signal n'est détecté et l'appareil se place donc en mode Veille. L'appareil se remettra à nouveau sous tension dans un des cas suivants : <ul style="list-style-type: none"> • INPUT de l'unité principale est actionnée; • Une des INPUT 1 à INPUT 6 de la télécommande est actionnée; • Un signal d'entrée est détecté à nouveau.
●	☀ Clignotant	Le circuit de protection de l'appareil peut avoir été activé. Appuyez sur l'interrupteur MAIN POWER pour mettre l'appareil hors tension, puis attendez environ une minute avant de le remettre sous tension.
☀ Clignotant	●	

Pour des situations autres que celles ci-dessus, reportez-vous au *Guide de dépannage* la page 38.

Modification du niveau sonore

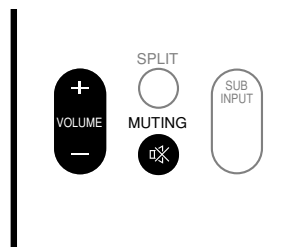
Utilisation des touches VOLUME +/-

- Pour augmenter le niveau sonore, appuyez sur VOLUME +.
- Pour diminuer le niveau sonore, appuyez sur VOLUME -.

Utilisation de la touche MUTING du boîtier de télécommande

La touche **MUTING** coupe les sons.

- 1 Appuyez sur **MUTING**.
 - Le symbole **MUTING** apparaît sur l'écran.
- 2 Appuyez une nouvelle fois sur **MUTING** pour rétablir les sons.
 - Une pression sur VOLUME + rétablit également les sons.



Réglage du niveau sonore



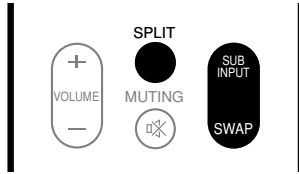
Silencieux



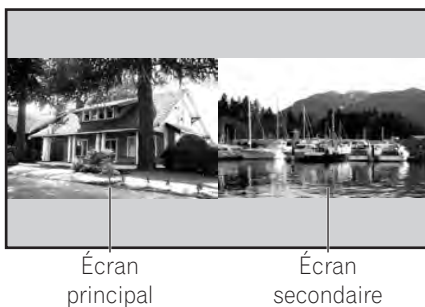
Utilisation des fonctions multiécrans

Partage d'écran

Procédez comme suit pour passer au mode à 2 écrans.



- 1 Appuyez sur la touche **SPLIT** de la télécommande. L'écran principal apparaît sur la gauche et l'écran secondaire sur la droite.

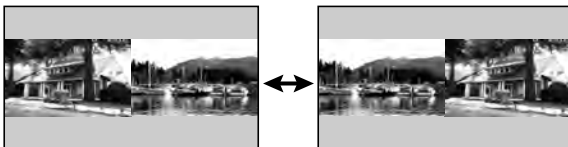


- 2 Appuyez sur la touche **SUB INPUT** de la télécommande pour sélectionner la source d'entrée de l'écran secondaire.

Pour permuter entre l'entrée de l'écran principal et de l'écran secondaire

Appuyez sur la touche **SWAP** de la télécommande.

Les côtés droit et gauche de l'affichage permutent. Ce qui apparaissait sur l'écran principal est visible sur l'écran secondaire et vice versa.

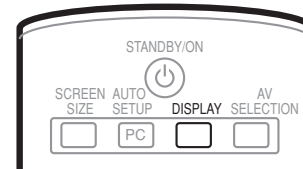


REMARQUE

- La fonction multiécrans ne permet pas d'afficher simultanément les images de la même source. Si vous essayez de le faire, un message d'avertissement apparaît.
- La fonction Multiécrans ne permet pas d'afficher simultanément des images, provenant de ENTRÉE2 et ENTRÉE3. Si vous essayez une telle démarche, un message d'avertissement apparaît.
- Si vous appuyez sur la touche **HOME MENU**, le mode à image unique est rétabli et le menu correspondant est affiché.
- En mode à 2 images, celles qui apparaissent sur la moitié droite de l'écran peuvent paraître moins nettes, selon l'origine des images.
- Si vous sélectionnez 1920*1080p@24 Hz pour l'écran principal en mode à 2 images, il se peut que les images vidéo ne soient pas affichées correctement en raison des capacités de l'écran plasma.
- Les signaux PAL 60 ne conviennent pas à l'affichage d'images sur l'écran secondaire.

- Si la fonction multiécrans est utilisée de façon continue pendant plusieurs heures, ou pendant une durée plus courte mais étalée sur plusieurs jours, une image rémanente peut subsister de façon permanente sur l'écran par suite d'une brûlure des matières fluorescentes.

Vérification de l'état actuel



- 1 Appuyez sur la touche **DISPLAY** de la télécommande. La source d'entrée et les réglages actuellement sélectionnés seront affichés.

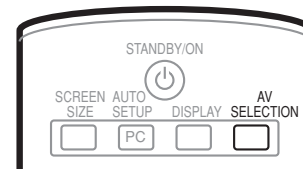
Exemple d'affichage : Dans une situation normale (avec entrée de signal vidéo)



Sélection AV

Vous avez le choix entre 5 options de visionnement en fonction de l'environnement actuel (p. ex. luminosité de la pièce) et du type d'images provenant d'un appareil externe.

La fonction AV alterne à chaque pression sur **AV SELECTION** de la télécommande.



Dans le cas d'une source audiovisuelle

Paramètre	Description
STANDARD	Pour obtenir une image très bien définie dans une pièce de luminosité normale. Vous pouvez définir le mode pour chaque source.
DYNAMIQUE	Pour obtenir une image très nette présentant un contraste maximum. Ce mode ne vous donne pas le moyen d'ajuster manuellement la qualité de l'image.
CINÉMA	Pour les films. Vous pouvez définir le mode pour chaque source.
JEU	La luminosité de l'image est diminuée afin qu'elle soit plus agréable à regarder. Vous pouvez définir le mode pour chaque source.
UTILISATEUR	Ce paramètre vous donne le moyen de personnaliser les réglages. Vous pouvez définir le mode pour chaque source.

Paramètre	Description
PUR	Restitue les signaux d'entrée le plus fidèlement possible. Vous pouvez, par exemple, sélectionner cette option pour contrôler des images.

Dans le cas d'un ordinateur personnel

Paramètre	Description
STANDARD	Pour obtenir une image très bien définie dans une pièce de luminosité normale.
UTILISATEUR	Ce paramètre vous donne le moyen de personnaliser les réglages. Vous pouvez définir le mode pour chaque source.

REMARQUE

- Si vous avez sélectionné "DYNAMIQUE", vous ne pouvez pas sélectionner "Contraste", "Luminos.", "Couleur", "Teinte", "Netteté", "Réglage pro." et "Réinitial."; ces paramètres de menu sont inaccessibles.

Sélection manuelle d'un format d'écran

Appuyez sur **SCREEN SIZE** pour passer d'un format d'écran disponible, compte tenu de la nature des signaux vidéo reçus, à l'autre.

- Chaque pression sur la touche **SCREEN SIZE** provoque la sélection d'un autre format.
- Les formats disponibles dépendent de la nature des signaux appliqués à l'entrée.

Mode AV

Paramètre	Description
4:3	Pour afficher des images "standard" 4:3. Un cache apparaît de chaque côté.
PLEIN 14:9	Pour afficher des images rétrécies 14:9. Un cache étroit apparaît de chaque côté.
CINÉMA 14:9	Pour afficher des images 14:9 allongées. Un cache étroit apparaît de chaque côté et, dans certains cas, une bande peut être visible en haut et en bas de l'image.
LARGE	Avec ce mode, l'image est allongée jusqu'à toucher les bords de l'écran.
PLEIN	Pour afficher des images rétrécies 16:9.
ZOOM	Pour afficher des images 16:9 allongées. Dans certains cas, une bande peut être visible en haut et en bas de l'image.
CINÉMA	Pour afficher des images 14:9 allongées. Dans certains cas, une bande peut être visible en haut et en bas de l'image.
Pt par Pt	À un pixel du signal d'entrée correspond un pixel sur l'écran. Validé uniquement quand le format de la source d'entrée est 1920x1080.

Mode PC

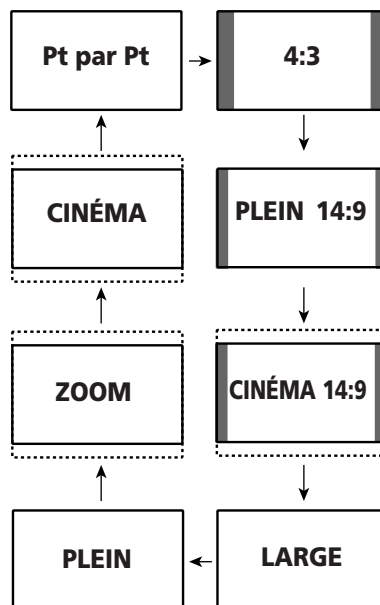
Paramètre	Description
4:3	L'image occupe la totalité de la surface de l'écran mais son format n'est pas modifié.
PLEIN	Image 16:9 plein écran.

Paramètre	Description
Pt par Pt	À un pixel du signal d'entrée correspond un pixel sur l'écran.

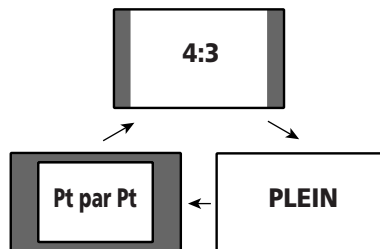
REMARQUE

- Les caractéristiques de formation de l'image de l'écran plasma risquent de se détériorer si les formats d'écran suivants sont utilisés pendant une durée prolongée : 4:3, PLEIN 14:9, CINÉMA 14:9, Pt par Pt (sauf si le format d'entrée est 1920x1080).
Si les formats d'écran ci-dessus sont affichés de façon continue pendant plusieurs heures, une image rémanente peut subsister de façon permanente sur l'écran par suite d'une brûlure des matières fluorescentes.
À moins que ceci ne viole les restrictions sur les copyrights, il est fortement conseillé de choisir un format d'écran qui ne produise pas de bandes noires dans le haut/bas ou sur la gauche/droite de l'écran.
- Il n'est pas conseillé d'afficher de façon continue des signaux qui ne remplissent pas totalement l'écran car, selon la fréquence et la durée, ceci pourrait provoquer une rémanence d'image temporaire ou permanente.
Il se peut que certaines diffusions HD présentent leur contenu en format 4:3 avec des masques latéraux, ce qui peut causer une usure inégale. Après avoir visionné un tel programme, il est conseillé de regarder des images mobiles sur la totalité de l'écran.
- Lorsque l'écran plasma est utilisé pour une activité à but lucratif ou pour la présentation d'images en public, l'emploi de la fonction Format d'écran pour comprimer ou élargir une image peut entraîner une violation des copyrights des détenteurs des images.

Mode AV



Mode PC



Utilisation du menu

Menus des modes AV

Home Menu	Paramètre	Page
Image	Contraste	25
	Luminos.	25
	Couleur	25
	Teinte	25
	Netteté	25
	Réglage pro.	25
	Réinitial.	25

Son	Aigus	28
	Graves	28
	Balance	28
	FOCUS	28
	Surround avant	28
	Réinitial.	28

Commande alimentation	Économie d'énergie	29
	Gestion de l'énergie : AV	29
	Gestion de l'énergie : PC	29

Options	Position	30
	Taille auto	32
	Mode 4:3	32
	Sélection mode	30

Installation	Langue	25
	SR+	37
	ENTRÉE1	31, 34
	ENTRÉE2	33, 34
	ENTRÉE3	33, 34
	ENTRÉE4	31
	ENTRÉE5	31, 33
ENTRÉE6	31, 33	

Menus des modes PC

Home Menu	Paramètre	Page
Image	Contraste	25
	Luminos.	25
	Rouge	25
	Vert	25
	Bleu	25
	Réinitial.	25

Son	Aigus	28
	Graves	28
	Balance	28
	FOCUS	28
	Surround avant	28
	Réinitial.	28

Commande alimentation	Économie d'énergie	29
	Gestion de l'énergie : AV	29
	Gestion de l'énergie : PC	29

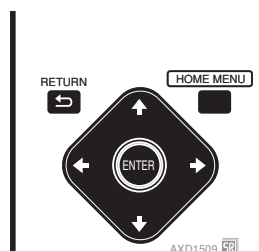
Options	Installation manuelle	30
Installation	Langue	25
	SR+	37
	ENTRÉE1	31, 34
	ENTRÉE2	33, 34
	ENTRÉE3	33, 34
	ENTRÉE4	31
	ENTRÉE5	31, 33
ENTRÉE6	31, 33	

Opérations du menu

Voici une présentation des procédures types pour le réglage des menus. Pour connaître chaque procédure, reportez-vous aux pages appropriées décrivant individuellement ces fonctions.

REMARQUE

- Les paramètres entre parenthèses () indiquent des notations pour les touches de l'unité principale si elles diffèrent de celles de la télécommande.



- Appuyez sur **HOME MENU**.
- Utilisez **↑/↓** pour sélectionner un paramètre du menu puis appuyez sur **ENTER (ENTER/DISP.)**.
- Répétez l'opération 2 jusqu'à ce que vous accédez au paramètre du sous-menu désiré.
 - Le nombre de couches du menu varie selon les paramètres du menu.
- Utilisez **←/→** pour sélectionner une option (ou un paramètre) puis appuyez sur **ENTER (ENTER/DISP.)**.
 - Pour certains paramètres du menu, utilisez **↑/↓** au lieu de **←/→**.
- Appuyez sur **HOME MENU, INPUT 1 à INPUT 6 (INPUT)** pour quitter le menu.

REMARQUE

- Vous pouvez revenir au menu de niveau supérieur en appuyant sur **RETURN**.

Choix de la langue

Vous pouvez choisir la langue utilisée pour afficher sur l'écran des données comme les menus et des instructions. Choisissez parmi les 15 langues suivantes : Anglais, Allemand, Français, Italien, Espagnol, Néerlandais, Suédois, Portugais, Grec, Finnois, Russe, Turc, Norvégien, Danois et Japonais.

- 1 Appuyez sur **HOME MENU**.
- 2 Sélectionnez "Installation" (↑/↓ puis **ENTER (ENTER/DISP.)**).
- 3 Sélectionnez "Langue" (↑/↓).
- 4 Sélectionnez une langue (←/→).

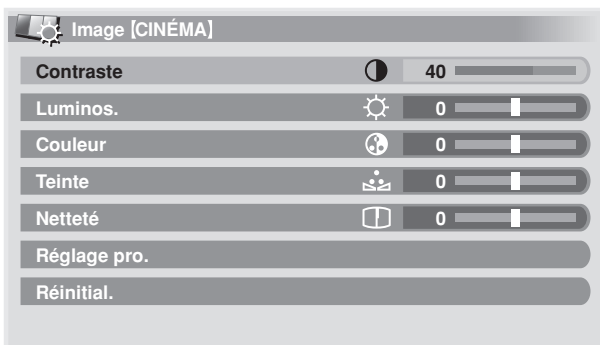


- 5 Appuyez sur **HOME MENU, INPUT 1 à INPUT 6 (INPUT)** pour quitter le menu.

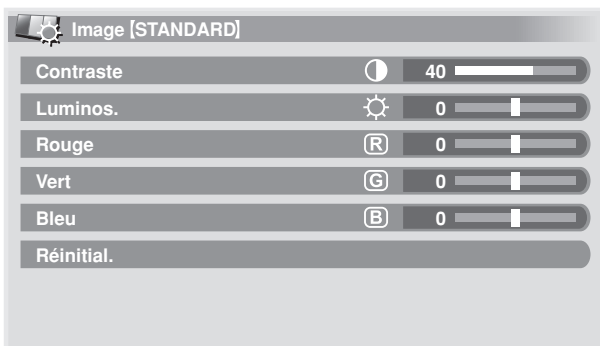
Réglages de base de l'image

Réglez l'image selon vos préférences et en fonction de l'option Sélection AV (sauf DYNAMIQUE) retenue.

- 1 Appuyez sur **HOME MENU**.
- 2 Sélectionnez "Image" (↑/↓ puis **ENTER (ENTER/DISP.)**).
- 3 Sélectionnez le paramètre à définir (↑/↓ puis **ENTER (ENTER/DISP.)**).



Dans le cas où PC est la source et dans le cas de Home Gallery, la page suivante s'affiche.



- 4 Sélectionnez la valeur désirée (←/→).



- Lorsque la page de réglage est affichée, vous pouvez également accéder au paramètre que vous désirez modifier en utilisant ↑/↓.

- 5 Appuyez sur **HOME MENU, INPUT 1 à INPUT 6 (INPUT)** pour quitter le menu.

Dans le cas d'une source audiovisuelle

Paramètre	← Touche	→ Touche
Contraste	Diminution du contraste	Augmentation du contraste
Luminos.	Diminution de la luminosité	Augmentation de la luminosité
Couleur	Diminution de l'intensité des couleurs	Augmentation de l'intensité des couleurs
Teinte	Les teintes chair deviennent plus violettes	Les teintes chair deviennent plus vertes
Netteté	Diminution de la netteté	Augmentation de la netteté

Dans le cas d'un ordinateur personnel

Paramètre	← Touche	→ Touche
Contraste	Diminution du contraste	Augmentation du contraste
Luminos	Diminution de la luminosité	Augmentation de la luminosité
Rouge	Le rouge est diminué	Le rouge est augmenté
Vert	Le vert est diminué	Le vert est augmenté
Bleu	Le bleu est diminué	Le bleu est augmenté

REMARQUE

- Pour effectuer les réglages avancés de l'image, sélectionnez "Réglage pro." à l'opération 3 puis appuyez sur **ENTER (ENTER/DISP.)**. Pour la suite des opérations, reportez-vous à la partie "Réglages avancés de l'image".
- Pour que les valeurs par défaut soient rétablies pour l'ensemble des paramètres, utilisez ↑/↓ pour sélectionner "Réinitial." au cours de l'opération 3 puis appuyez sur **ENTER (ENTER/DISP.)**. Une page de confirmation s'affiche. Utilisez ↑/↓ pour sélectionner "Oui" puis appuyez sur **ENTER (ENTER/DISP.)**.

Réglages avancés de l'image

L'écran plasma est doté de diverses fonctions avancées permettant d'optimiser la qualité de l'image. Pour les détails sur ces fonctions, consultez les tableaux.

Certaines fonctions ne sont pas disponibles quand des signaux 1080p@50 Hz ou 1080p@60 Hz sont entrés.

Utilisation de PureCinema

- 1 Appuyez sur **HOME MENU**.
- 2 Sélectionnez "Image" (↑/↓ puis **ENTER (ENTER/DISP.)**).
- 3 Sélectionnez "Réglage pro." (↑/↓ puis **ENTER (ENTER/DISP.)**).
- 4 Sélectionnez "PureCinema" (↑/↓ puis **ENTER (ENTER/DISP.)**).
- 5 Sélectionnez le paramètre désiré (↑/↓ puis **ENTER (ENTER/DISP.)**).
 - Pour les paramètres sélectionnables, consultez le tableau.

PureCinema

Cette fonction détecte automatiquement toute source de film (initialement le codage est de 24 images/secondes), l'analyse puis recrée chaque image fixe du film pour obtenir une haute résolution.

Sélections	Arrêt	PureCinema n'est pas actif.
	Standard	Production d'images régulières et vivantes (spécifiques aux films) par détection automatique des informations enregistrées tandis que sont affichées des images de DVD ou à haute résolution (par exemple, films) cadencées à 24 images/s.
	Supérieur	Production d'images animées régulières et de qualité (telles qu'on peut les voir dans une salle de cinéma) par conversion à 72 Hz tandis que sont affichées des images de DVD (par exemple, films) cadencées à 24 images/s.

**REMARQUE**

- "Standard" n'est pas sélectionnable quand des signaux 480p ou 720p@60 Hz sont entrés.
- "Supérieur" n'est pas sélectionnable quand des signaux PAL, SECAM, 576i ou 1080i@50 Hz sont entrés.
- Ni "Standard" ni "Supérieur" n'est sélectionnable quand des signaux 576p, 1080p ou 720p@50 Hz sont entrés.

Utilisation de Temp. Couleur

- 1 Appuyez sur **HOME MENU**.
- 2 Sélectionnez "Image" (↑/↓ puis **ENTER (ENTER/DISP.)**).
- 3 Sélectionnez "Réglage pro." (↑/↓ puis **ENTER (ENTER/DISP.)**).
- 4 Sélectionnez "Infos couleur" (↑/↓ puis **ENTER (ENTER/DISP.)**).
- 5 Sélectionnez "Temp. Couleur" (↑/↓ puis **ENTER (ENTER/DISP.)**).
- 6 Sélectionnez le paramètre souhaité (↑/↓ puis **ENTER (ENTER/DISP.)**).
 - Si vous avez sélectionné un paramètre souhaité à cette opération, sautez les opérations 7 et 8.
 - Vous pouvez également exécuter une réglage fin. Pour ce faire, sélectionnez d'abord "Manuel" puis tenez **ENTER (ENTER/DISP.)** enfoncée pendant plus de trois secondes. L'écran de réglage manuel apparaît. Passez alors à l'opération 7.

Température de couleur

Ce paramètre règle la température de couleur procurant ainsi une meilleure balance des blancs.

Sélections	Haut	Le blanc a une tonalité bleutée.
	Moyen-Haut	La tonalité est intermédiaire entre Haut et Moyen.
	Moyen	La tonalité est naturelle.
	Moyen-Bas	La tonalité est intermédiaire entre Moyen et Bas.
	Bas	Le blanc a une tonalité rosée.
	Manuel	La température de couleur peut être réglée à votre guise.

- 7 Sélectionnez un élément à régler (↑/↓ puis **ENTER (ENTER/DISP.)**).

- 8 Sélectionnez le niveau souhaité (←/→).

Paramètre	← Touche	→ Touche
R Haut	Réglage fin des parties brillantes de l'image	Le rouge est diminué / Le rouge est augmenté
V Haut		Le vert est diminué / Le vert est augmenté
B Haut		Le bleu est diminué / Le bleu est augmenté
R Bas	Réglage fin des parties sombres de l'image	Le rouge est diminué / Le rouge est augmenté
V Bas		Le vert est diminué / Le vert est augmenté
B Bas		Le bleu est diminué / Le bleu est augmenté

- Pour effectuer le réglage d'un autre paramètre, appuyez sur **RETURN** puis reprenez les opérations 7 et 8.
- Vous pouvez utiliser ↑/↓ pour modifier immédiatement la valeur du paramètre en cours de réglage.

- 9 Appuyez sur **HOME MENU, INPUT 1 à INPUT 6 (INPUT)** pour quitter le menu.

Utilisation de CTI

- 1 Appuyez sur **HOME MENU**.
- 2 Sélectionnez "Image" (↑/↓ puis **ENTER (ENTER/DISP.)**).
- 3 Sélectionnez "Réglage pro." (↑/↓ puis **ENTER (ENTER/DISP.)**).
- 4 Sélectionnez "Infos couleur" (↑/↓ puis **ENTER (ENTER/DISP.)**).
- 5 Sélectionnez "CTI" (↑/↓ puis **ENTER (ENTER/DISP.)**).
- 6 Sélectionnez le paramètre souhaité (↑/↓ puis **ENTER (ENTER/DISP.)**).

CTI

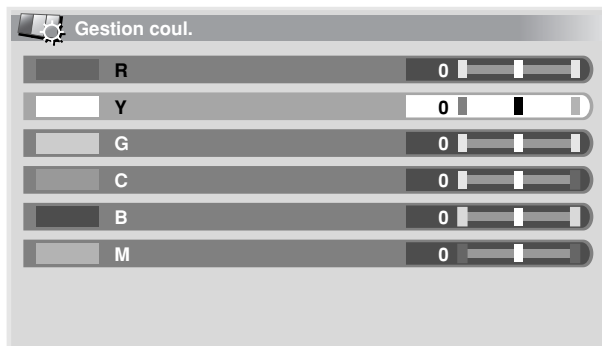
Cette fonction permet d'obtenir des couleurs aux contours mieux définis. CTI signifie Amélioration des transitions de couleurs.

Sélections	Arrêt	CTI n'est pas actif.
	Marche	CTI est actif.

- 7 Appuyez sur **HOME MENU, INPUT 1 à INPUT 6 (INPUT)** pour quitter le menu.

Utilisation de Gestion coul.

- 1 Appuyez sur **HOME MENU**.
- 2 Sélectionnez "Image" (↑/↓ puis **ENTER (ENTER/DISP.)**).
- 3 Sélectionnez "Réglage pro." (↑/↓ puis **ENTER (ENTER/DISP.)**).
- 4 Sélectionnez "Infos couleur" (↑/↓ puis **ENTER (ENTER/DISP.)**).
- 5 Sélectionnez "Gestion coul." (↑/↓ puis **ENTER (ENTER/DISP.)**).
- 6 Sélectionnez le paramètre à définir (↑/↓ puis **ENTER (ENTER/DISP.)**).



7 Sélectionnez la valeur désirée (←/→).

Paramètre	← Touche	→ Touche
R (Rouge)	Tire vers le magenta	Tire vers le jaune
Y (Jaune)	Tire vers le rouge	Tire vers le vert
G (Vert)	Tire vers le jaune	Tire vers le cyan
C (Cyan)	Tire vers le vert	Tire vers le bleu
B (Bleu)	Tire vers le cyan	Tire vers le magenta
M (Magenta)	Tire vers le bleu	Tire vers le rouge

- Pour effectuer le réglage d'un autre paramètre, appuyez sur **RETURN** puis reprenez les opérations 6 et 7.
- Vous pouvez utiliser **↑/↓** pour modifier immédiatement la valeur du paramètre en cours de réglage.

8 Appuyez sur **HOME MENU, INPUT 1 à INPUT 6 (INPUT)** pour quitter le menu.

Réduction du bruit des images

- 1 Appuyez sur **HOME MENU**.
- 2 Sélectionnez "Image" (**↑/↓** puis **ENTER (ENTER/DISP.)**).
- 3 Sélectionnez "Réglage pro." (**↑/↓** puis **ENTER (ENTER/DISP.)**).
- 4 Sélectionnez "NR" (**↑/↓** puis **ENTER (ENTER/DISP.)**).
- 5 Sélectionnez un élément à régler (**↑/↓** puis **ENTER (ENTER/DISP.)**).
 - Vous pouvez sélectionner "DNR" ou "MPEG NR".
- 6 Sélectionnez le paramètre souhaité (**↑/↓** puis **ENTER (ENTER/DISP.)**).

DNR

Cette fonction réduit le bruit vidéo, ce qui fournit des images nettes et propres. DNR signifie Réduction du bruit numérique.

Sélections	Arrêt	DNR n'est pas actif.
	Haut	DNR accentuée
	Moyen	DNR standard
	Bas	DNR modérée

MPEG NR

Cette fonction réduit le bruit de moustique des images vidéo, produit parfois quand on regarde un canal de télévision numérique ou à la lecture d'un DVD. Il en résulte des images dépourvues de bruit.

Sélections	Arrêt	La réduction de bruit MPEG est inactive.
	Haut	La réduction de bruit MPEG est accentuée
	Moyen	La réduction de bruit MPEG est moyenne
	Bas	La réduction de bruit MPEG est faible

7 Appuyez sur **HOME MENU, INPUT 1 à INPUT 6 (INPUT)** pour quitter le menu.

Utilisation des fonctions d'expansion de gamme dynamique (DRE)

- 1 Appuyez sur **HOME MENU**.
- 2 Sélectionnez "Image" (**↑/↓** puis **ENTER (ENTER/DISP.)**).
- 3 Sélectionnez "Réglage pro." (**↑/↓** puis **ENTER (ENTER/DISP.)**).
- 4 Sélectionnez "DRE" (**↑/↓** puis **ENTER (ENTER/DISP.)**).
- 5 Sélectionnez un élément à régler (**↑/↓** puis **ENTER (ENTER/DISP.)**).
 - Vous pouvez sélectionner "Contraste Dynamique", "Niveau du noir", "ACL" ou "Gamma".
- 6 Sélectionnez le paramètre souhaité (**↑/↓** puis **ENTER (ENTER/DISP.)**).

Contraste Dynamique

Accentue le contraste sur les images de manière que la différence entre les parties lumineuses et sombres soit plus marquée.

Sélections	Arrêt	Le contraste dynamique est désactivé.
	Haut	Contraste dynamique accentué
	Moyen	Contraste dynamique standard
	Bas	Contraste dynamique modéré

Niveau du Noir

Accentue les parties noires des images de manière que la différence entre les parties lumineuses et sombres soit plus marquée.

Sélections	Arrêt	Le niveau de noir est désactivé.
	Marche	Le niveau de noir est activé.

ACL

Effectue une correction qui donne lieu à des caractéristiques de contraste optimales pour les images.

Sélections	Arrêt	ACL désactivé
	Marche	ACL activé

Gamma

Règle les caractéristiques du gamma (caractéristiques de gradation d'image).

Sélections	1	Sélectionne les caractéristiques de gamma 1.
	2	Sélectionne les caractéristiques de gamma 2.
	3	Sélectionne les caractéristiques de gamma 3.

- 7 Appuyez sur **HOME MENU**, **INPUT 1** à **INPUT 6 (INPUT)** pour quitter le menu.

Utilisation de 3DYC et de Mode I-P

- 1 Appuyez sur **HOME MENU**.
- 2 Sélectionnez "Image" (↑/↓ puis **ENTER (ENTER/DISP.)**).
- 3 Sélectionnez "Réglage pro." (↑/↓ puis **ENTER (ENTER/DISP.)**).
- 4 Sélectionnez "Autres" (↑/↓ puis **ENTER (ENTER/DISP.)**).
- 5 Sélectionnez un élément à régler (↑/↓ puis **ENTER (ENTER/DISP.)**).
 - Vous pouvez sélectionner "3DYC" ou "Mode I-P".
- 6 Sélectionnez le paramètre souhaité (↑/↓ puis **ENTER (ENTER/DISP.)**).

3DYC

Optimise les caractéristiques de séparation des signaux de luminance et des signaux de chrominance. Fonctionne pour les images vidéo aussi bien que pour les images fixes.

Sélections	Arrêt	3DYC désactivé
	Haut	3DYC accentué
	Moyen	3DYC standard
	Bas	3DYC modéré

Mode I-P

Effectue une conversion optimale de signaux entrelacés en signaux progressifs. Fonctionne pour les images vidéo aussi bien que pour les images fixes.

Sélections	1	Optimum pour les images vidéo
	2	Réglage standard
	3	Optimum pour les images fixes

- 7 Appuyez sur **HOME MENU**, **INPUT 1** à **INPUT 6 (INPUT)** pour quitter le menu.

REMARQUE

Ce réglage est possible uniquement quand un signal vidéo est fourni. Cependant, ce réglage ne sera pas pris en compte si une des situations suivantes se présente :

- Conditions pour réglage "3DYC" : Entrée d'un signal NTSC ou entrée d'un signal PAL à partir de ENTRÉE6.
- Signaux pour lesquels "Mode I-P" ne sont pas réglables : 480p, 720p, 576p, 1080p.

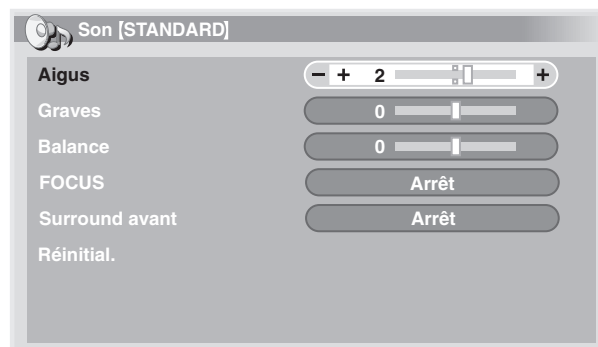
Réglages du son

Grâce aux paramètres qui suivent, vous pouvez régler les caractéristiques des sons selon vos préférences.

Réglez le son selon vos préférences et en fonction de l'option Sélection AV retenue. Reportez-vous à la page 22.

- 1 Appuyez sur **HOME MENU**.
- 2 Sélectionnez "Son" (↑/↓ puis **ENTER (ENTER/DISP.)**).
- 3 Sélectionnez le paramètre à définir (↑/↓).

- 4 Sélectionnez la valeur désirée (←/→).



Paramètre	← Touche	→ Touche
Aigus	Les aigus sont atténués	Les aigus sont accentués
Graves	Les graves sont atténués	Les graves sont accentués
Balance	La puissance émise par l'enceinte droite diminue	La puissance émise par l'enceinte gauche diminue

- 5 Appuyez sur **HOME MENU**, **INPUT 1** à **INPUT 6 (INPUT)** pour quitter le menu.

REMARQUE

- Pour que les valeurs par défaut soient rétablies pour l'ensemble des paramètres, utilisez ↑/↓ pour sélectionner "Réinitial." au cours de l'opération 3 puis appuyez sur **ENTER (ENTER/DISP.)**. Une page de confirmation s'affiche. Utilisez ↑/↓ pour sélectionner "Oui" puis appuyez sur **ENTER (ENTER/DISP.)**.

FOCUS

Ce paramètre déplace vers le haut le point d'où proviennent les sons (image sonore) et produit des contours sonores très définis.

- 1 Appuyez sur **HOME MENU**.
- 2 Sélectionnez "Son" (↑/↓ puis **ENTER (ENTER/DISP.)**).
- 3 Sélectionnez "FOCUS" (↑/↓).
- 4 Sélectionnez le paramètre désiré (←/→).



Paramètre	Description
Arrêt	FOCUS n'est pas actif.
Marche	FOCUS est actif.

- 5 Appuyez sur **HOME MENU**, **INPUT 1** à **INPUT 6 (INPUT)** pour quitter le menu.

REMARQUE

- L'effet de cette fonction dépend du signal.

Surround avant



Ce paramètre crée des effets sonores tridimensionnels accompagnés de graves riches et profonds.

- 1 Appuyez sur **HOME MENU**.
- 2 Sélectionnez "Son" (▲/▼ puis **ENTER (ENTER/DISP.)**).
- 3 Sélectionnez "Surround avant" (▲/▼).
- 4 Sélectionnez le paramètre désiré (◀/▶).

Paramètre	Description
Arrêt	Désactive à la fois SRS et TruBass.
SRS	Cette fonction produit des sons tridimensionnels très efficaces.
TruBass	Cette fonction produit des graves riches et profonds grâce à l'apport d'une nouvelle technique.
TruBass + SRS	En ce cas, TruBass et SRS conjuguent leurs effets.

- 5 Appuyez sur **HOME MENU, INPUT 1 à INPUT 6 (INPUT)** pour quitter le menu.

REMARQUE

-  (WOW) fait référence à une situation pour laquelle la fonction FOCUS est active et l'ensemble TruBass + SRS adopté pour Surround avant.
-  est une marque de SRS Labs, Inc.
- La technologie WOW est incorporée sous licence de SRS Labs, Inc.
- L'effet de cette fonction dépend du signal.

Commande alimentation

La gestion de l'alimentation offre différents moyens d'économiser l'énergie.

Économie d'énergie

Vous pouvez faire appel à un des deux modes Économie d'énergie pour réduire la consommation de courant.

- 1 Appuyez sur **HOME MENU**.
- 2 Sélectionnez "Commande alimentation" (▲/▼ puis **ENTER (ENTER/DISP.)**).
- 3 Sélectionnez "Économie d'énergie" (▲/▼).
- 4 Sélectionnez "Économie 1" ou "Économie 2" (◀/▶).

Paramètre	Description
Standard	Ne diminue pas la luminosité de l'image.
Économie 1	Réduit légèrement la puissance absorbée tout en diminuant légèrement la luminosité de l'image.
Économie 2	Diminue la luminosité de l'image et réduit la puissance absorbée.

- 5 Appuyez sur **HOME MENU, INPUT 1 à INPUT 6 (INPUT)** pour quitter le menu.

Gestion de l'énergie : AV

L'écran plasma se met automatiquement en mode Veille si aucun signal n'est capté pendant 8 minutes.

- 1 Appuyez sur **HOME MENU**.

- 2 Sélectionnez "Commande alimentation" (▲/▼ puis **ENTER (ENTER/DISP.)**).
- 3 Sélectionnez "Gestion de l'énergie : AV" (▲/▼).
- 4 Sélectionnez "Activer" (◀/▶).

Paramètre	Description
Désactiver	L'écran plasma n'est pas placé en mode Veille.
Activer	L'écran plasma est placé en mode Veille si aucun signal n'est capté pendant 8 minutes.

- 5 Appuyez sur **HOME MENU, INPUT 1 à INPUT 6 (INPUT)** pour quitter le menu.

REMARQUE

- Les bornes INPUT1 à INPUT6 sont validées. Cependant, INPUT1 et 4 sont invalidées si le paramètre "Type de signal" a été réglé sur "PC".
- Le fonctionnement est invalidé pendant l'affichage du HOME MENU.
- Un message sera affiché immédiatement avant que l'écran plasma ne se place en mode Veille.

Gestion de l'énergie : PC

L'écran plasma se met automatiquement en mode Veille si aucun signal n'est capté.

- 1 Appuyez sur **HOME MENU**.
- 2 Sélectionnez "Commande alimentation" (▲/▼ puis **ENTER (ENTER/DISP.)**).
- 3 Sélectionnez "Gestion de l'énergie : PC" (▲/▼).
- 4 Sélectionnez "Activer" (◀/▶).

Paramètre	Description
Désactiver	L'écran plasma n'est pas placé en mode Veille.
Activer	Si aucune entrée n'est détectée pendant une minute ou plus, l'appareil se place automatiquement en mode Veille. Si un signal est détecté ultérieurement, il se met automatiquement en marche.

- 5 Appuyez sur **HOME MENU, INPUT 1 à INPUT 6 (INPUT)** pour quitter le menu.

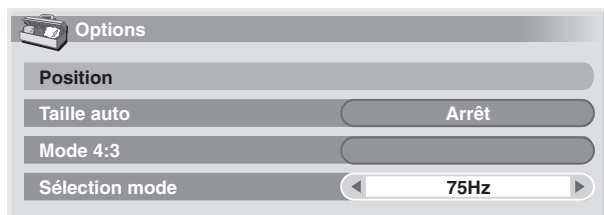
REMARQUE

- Seules les bornes INPUT1 et INPUT4 sont validées. Cependant, elles sont invalidées si le paramètre "Type de signal" a été réglé sur "AV".
- Le fonctionnement est invalidé pendant l'affichage du HOME MENU.

Sélection de la fréquence de balayage vertical (mode AV seulement)

Vous pouvez choisir entre 75 Hz et 100 Hz comme fréquence de balayage vertical pour l'affichage de l'écran. Sélectionnez la fréquence qui convient le mieux aux signaux fournis.

- 1 Appuyez sur **HOME MENU**.
- 2 Sélectionnez "Options" (↑/↓ puis **ENTER (ENTER/DISP.)**).
- 3 Sélectionnez "Sélection mode" (↑/↓).
- 4 Sélectionnez "75Hz" ou "100Hz" (←/→).



- 5 Appuyez sur **HOME MENU, INPUT 1 à INPUT 6 (INPUT)** pour quitter le menu.

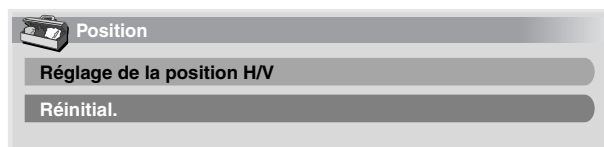
REMARQUE

- Ce réglage peut être fait séparément pour chaque source d'entrée.
- Ce réglage n'est pas possible quand des signaux 480i, 480p, 1080i@60 Hz, 720p@60 Hz, 1080p@24 Hz, 1080@60 Hz, 4.43 NTSC et NTSC sont fournis.

Réglage de la position de l'image (mode AV seulement)

Réglez la position horizontale et la position verticale de l'image sur l'écran plasma.

- 1 Appuyez sur **HOME MENU**.
- 2 Sélectionnez "Options" (↑/↓ puis **ENTER (ENTER/DISP.)**).
- 3 Sélectionnez "Position" (↑/↓ puis **ENTER (ENTER/DISP.)**).
- 4 Sélectionnez "Réglage de la position H/V" (↑/↓ puis **ENTER (ENTER/DISP.)**).



- 5 Réglez la position verticale (↑/↓) ou la position horizontale (←/→).
- 6 Appuyez sur **HOME MENU, INPUT 1 à INPUT 6 (INPUT)** pour quitter le menu.

REMARQUE

- Pour que les valeurs par défaut soient rétablies pour l'ensemble des paramètres, utilisez ↑/↓ pour sélectionner "Réinitial." au cours de l'opération 4 puis appuyez sur **ENTER (ENTER/DISP.)**. Une page de confirmation s'affiche. Utilisez ↑/↓ pour sélectionner "Oui" puis appuyez sur **ENTER (ENTER/DISP.)**.
- Les réglages sont conservés individuellement pour chaque source.

Réglage automatique de la position de l'image et de l'horloge (mode PC seulement)

Grâce à Autoinstallation vous pouvez régler automatiquement la position et l'horloge des images provenant de l'ordinateur personnel.

- 1 Appuyez sur la touche **PC AUTO SET UP** de la télécommande.
 - Autoinstallation démarre.
- 2 Appuyez sur **HOME MENU, INPUT 1 à INPUT 6 (INPUT)** pour quitter le menu.

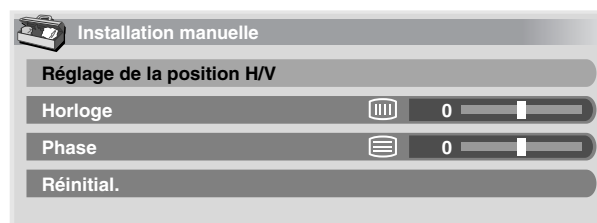
REMARQUE

- Lorsque les réglages sont terminés, "Réglage automatique terminé." s'affiche sur l'écran.
- Même si "Réglage automatique terminé" s'affiche, l'auto-installation peut avoir échoué, selon les conditions.
- L'auto-installation peut échouer si l'image fournie par l'ordinateur personnel comprend des motifs répétés ou est monochrome. En cas d'échec, choisissez une autre image sur l'ordinateur personnel et recommencez les opérations.
- Veillez à raccorder l'ordinateur à l'appareil et à le mettre sous tension avant de commencer l'Auto-installation.

Réglage manuel de la position de l'image et de l'horloge (mode PC seulement)

En principe, le réglage automatique apporté par l'auto-installation est suffisant. Toutefois, vous pouvez optimiser la position de l'image et celle de l'horloge par un réglage manuel.

- 1 Appuyez sur **HOME MENU**.
- 2 Sélectionnez "Options" (↑/↓ puis **ENTER (ENTER/DISP.)**).
- 3 Sélectionnez "Installation manuelle" (↑/↓ puis **ENTER (ENTER/DISP.)**).
- 4 Sélectionnez le paramètre à définir (↑/↓ puis **ENTER (ENTER/DISP.)**).



- 5 Effectuez le réglage (←/→ et ↑/↓).
Avec "Horloge" ou "Phase" sélectionné, vous pouvez changer le paramètre en utilisant ↑/↓.
- 6 Appuyez sur **HOME MENU, INPUT 1 à INPUT 6 (INPUT)** pour quitter le menu.

REMARQUE

- Pour que les valeurs par défaut soient rétablies pour l'ensemble des paramètres, utilisez ↑/↓ pour sélectionner "Réinitial." au cours de l'opération 4 puis appuyez sur **ENTER (ENTER/DISP.)**. Une page de confirmation s'affiche. Utilisez ↑/↓ pour sélectionner "Oui" puis appuyez sur **ENTER (ENTER/DISP.)**.

Choix du type de signal d'entrée

Après avoir raccordé les prises INPUT1 ou INPUT4, indiquez le type de signal d'entrée qui sera fourni par l'appareil relié. Pour de plus amples détails concernant les types de signal, reportez-vous au mode d'emploi qui accompagne l'appareil relié.

Avant de démarrer le menu, appuyez sur **INPUT 1** ou **INPUT 4 (INPUT)** pour sélectionner une source d'entrée.

- 1 Appuyez sur **HOME MENU**.
- 2 Sélectionnez "Installation" (↑/↓ puis **ENTER (ENTER/DISP.)**).
- 3 Sélectionnez "ENTRÉE1" ou "ENTRÉE4" (↑/↓ puis **ENTER (ENTER/DISP.)**).
- 4 Sélectionnez un type de signal (←/→).



- Pour ENTRÉE1, vous pouvez sélectionner entre AV et PC.
 - Pour ENTRÉE4, vous pouvez sélectionner entre AV et PC. En outre, vous pouvez sélectionner le décodage de couleur, composant ou RVB. Vous pouvez également sélectionner XGA, WXGA ou AUTO par le réglage XGA/WXGA.
- 5 Appuyez sur **HOME MENU, INPUT 1 à INPUT 6 (INPUT)** pour quitter le menu.

REMARQUE

- Si aucune image n'apparaît, ou si les couleurs sont inhabituelles, choisissez un autre type de signal.
- Pour de plus amples détails concernant les types de signal, reportez-vous au mode d'emploi qui accompagne l'appareil relié.

Choix du standard couleur

Si les images ne sont pas nettes, sélectionnez un autre standard couleur (par exemple, PAL, NTSC).

- 1 Appuyez sur **HOME MENU**.
- 2 Sélectionnez "Installation" (↑/↓ puis **ENTER (ENTER/DISP.)**).
- 3 Sélectionnez "ENTRÉE5" ou "ENTRÉE6" (↑/↓ puis **ENTER (ENTER/DISP.)**).
- 4 Sélectionnez le standard vidéo (←/→).



- Vous pouvez choisir parmi les standards suivants "Auto", "PAL", "SECAM", "NTSC", "4.43NTSC", "PAL-M" et "PAL-N".
 - Si vous choisissez "Auto", le standard des signaux d'entrée est automatiquement détecté.
- 5 Appuyez sur **HOME MENU, INPUT 1 à INPUT 6 (INPUT)** pour quitter le menu.

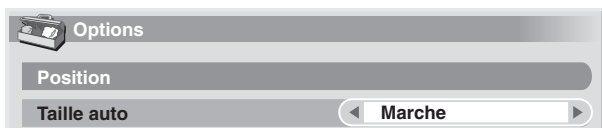
REMARQUE

- Vous devez procéder au choix du système couleur séparément pour ENTRÉE5 et 6.

Sélection automatique d'un format d'écran (mode AV seulement)

L'écran plasma choisit automatiquement un format approprié quand les signaux vidéo proviennent d'un appareil HDMI raccordé (voir page 33). Pour activer cette fonction, procédez comme décrit ci-après.

- 1 Appuyez sur **HOME MENU**.
- 2 Sélectionnez "Options" (↑/↓ puis **ENTER (ENTER/DISP.)**).
- 3 Sélectionnez "Taille Auto" (↑/↓).
- 4 Sélectionnez "Marche" (←/→).



Paramètre	Description
Arrêt	Désactive la fonction Taille Auto.
Marche	Active la fonction Taille Auto.

- 5 Appuyez sur **HOME MENU, INPUT 1 à INPUT 6 (INPUT)** pour quitter le menu.

REMARQUE

- Choisissez manuellement le format d'image convenable si la sélection automatique ne s'effectue pas correctement.
- Quand le signal vidéo ne contient aucune information de ratio d'aspect, la fonction est inopérante même si "Marche" est sélectionné.

Sélection d'un format d'écran pour des signaux de ratio d'aspect 4:3 reçus (mode AV seulement)

Spécifiez si l'écran plasma doit choisir le mode 4:3 ou le mode LARGE quand des signaux de ratio d'aspect 4:3 sont reçus avec la fonction Taille Auto activée.

- 1 Appuyez sur **HOME MENU**.
- 2 Sélectionnez "Options" (↑/↓ puis **ENTER (ENTER/DISP.)**).
- 3 Sélectionnez "Mode 4:3" (↑/↓).
- 4 Sélectionnez "LARGE" ou "4:3" (←/→).



Paramètre	Description
LARGE	L'image occupe tout l'écran et aucun cache latéral n'est utilisé.
4:3	Le format 4:3 est conservé et le cache latéral visible.

LARGE



4:3



- 5 Appuyez sur **HOME MENU, INPUT 1 à INPUT 6 (INPUT)** pour quitter le menu.

Vous pouvez raccorder à votre écran plasma divers types d'équipements externes, tels qu'un décodeur, un magnétoscope, un lecteur DVD, un ordinateur personnel, une console de jeu ou un caméscope.

REMARQUE

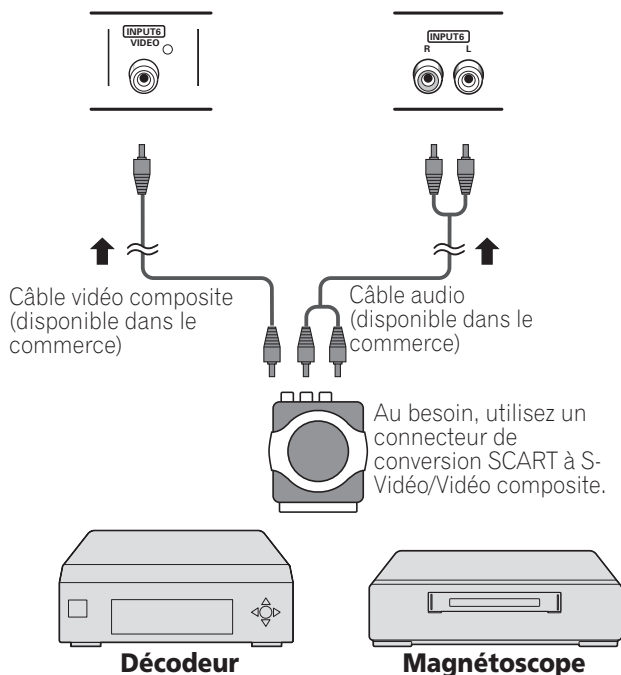
- Reportez-vous attentivement au mode d'emploi de l'appareil utilisé (lecteur de DVD, ordinateur personnel, etc.) avant d'effectuer les branchements.

Pour regarder les images d'un décodeur ou d'un magnétoscope

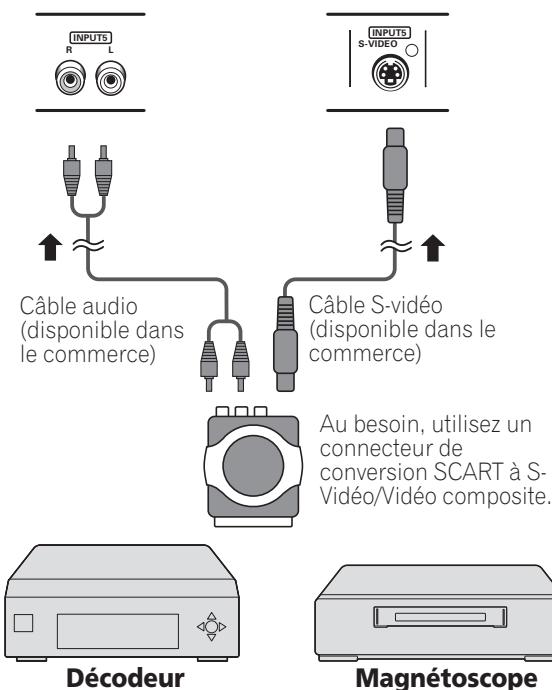
Branchement d'un décodeur ou d'un magnétoscope

Utilisez la borne INPUT5 ou INPUT6 lorsque vous raccordez un décodeur ou un autre appareil audiovisuel.

Branchements pour connecteurs composites



Branchements pour connecteurs S



Affichage de l'image d'un décodeur ou d'un magnétoscope

Appuyez sur la touche **INPUT 5** ou **INPUT 6 (INPUT)** pour sélectionner ENTRÉE5 ou ENTRÉE6.

REMARQUE

- Veillez à utiliser les bornes INPUT5 ou INPUT6 pour raccorder un décodeur ou un magnétoscope.
- Si les images du décodeur ou du magnétoscope ne sont pas nettes, vous devrez changer le réglage du type de signal d'entrée en vous servant du menu. Reportez-vous à la page 31.
- En ce qui concerne le type de signal, reportez-vous au mode d'emploi de votre décodeur ou de votre magnétoscope.

Utilisation de l'entrée HDMI

Cet écran plasma est muni de deux bornes HDMI (INPUT2 et 3) qui acceptent des signaux vidéo et audio numériques.

Pour utiliser la borne HDMI, mettez celle-ci en service et précisez les types de signaux vidéo et audio à recevoir de l'appareil raccordé. En ce qui concerne les types de ces signaux, reportez-vous au mode d'emploi fourni avec l'appareil raccordé.

Avant de démarrer le menu, appuyez sur la touche **INPUT 2** ou **INPUT 3 (INPUT)** pour sélectionner ENTRÉE2 ou ENTRÉE3.

Tableau de corrélation des signaux d'entrée

1920*1080p@24 Hz
1920*1080p@50 Hz
1920*1080p@59,24/60 Hz
1920*1080i@50 Hz
1920*1080i@59,94/60 Hz
1280*720p@50 Hz

Tableau de corrélation des signaux d'entrée

1280*720p@59,94/60 Hz

720*576p@50 Hz

720(1440)*576i@50 Hz

720*480p@59,94/60 Hz

720(1440)*480i@59,94/60 Hz

Pour le son, l'écran plasma prend en compte ce qui suit :

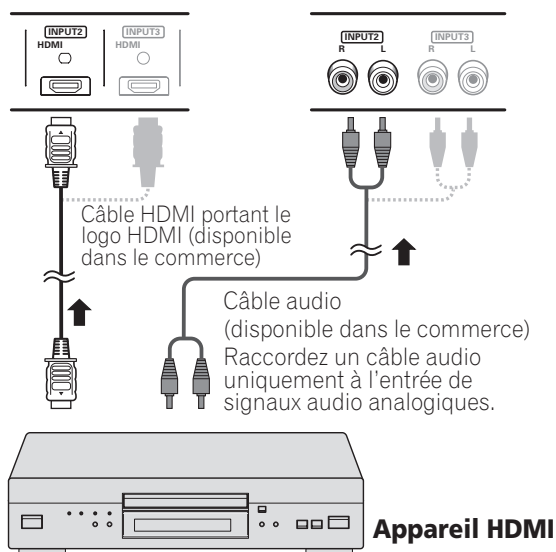
- PCM linéaire (STÉRÉO 2 canaux)
- Fréquence d'échantillonnage : 32 kHz, 44,1 kHz, 48 kHz

REMARQUE

- Les signaux PC ne sont pas en correspondance.
- Un affichage d'entrée HDMI dans le coin supérieur droit de l'écran plasma (boîte bleue) apparaissant chaque fois que des dispositifs externes changent le format d'entrée peut causer l'apparition d'un écran vierge pendant la détection du format du signal.

Branchement d'un appareil HDMI

A l'emploi de la prise INPUT2 ou INPUT3 HDMI :



Pour mettre en service la prise HDMI :

Quand vous utilisez la prise INPUT2 ou INPUT3 HDMI, procédez comme suit pour l'activer.

- 1 Appuyez sur **HOME MENU**.
- 2 Sélectionnez "Installation" (↑/↓) puis **ENTER (ENTER/DISP.)**.
- 3 Sélectionnez "ENTRÉE2" ou "ENTRÉE3" (↑/↓) puis **ENTER (ENTER/DISP.)**.
- 4 Sélectionnez "Vidéo" ou "Audio" (↑/↓).
- 5 Effectuez le réglage "Vidéo" ou "Audio".
- 6 Appuyez sur **HOME MENU, INPUT 1 à INPUT 6 (INPUT)** pour quitter le menu.

Pour spécifier le type de signaux vidéo numériques :

- 1 Répétez les opérations 1 à 2 de la partie "**Pour mettre en service la prise HDMI**".
- 2 Sélectionnez "Vidéo" (↑/↓).
- 3 Sélectionnez le type de signaux vidéo numériques (←/→).
 - Si vous sélectionnez "Auto", l'appareil tente d'identifier les signaux vidéo numériques lorsqu'ils sont reçus.

Paramètre	Description
Auto	Le signal d'entrée vidéo numérique est automatiquement identifié.
Couleur-1	Signaux vidéo composante numériques (4:2:2) verrouillés
Couleur-2	Signaux vidéo composante numériques (4:4:4) verrouillés
Couleur-3	Signaux RVB numériques (16 à 235) verrouillés
Couleur-4	Signaux RVB numériques (0 à 255) verrouillés

- 4 Appuyez sur **HOME MENU, INPUT 1 à INPUT 6 (INPUT)** pour quitter le menu.

REMARQUE

- Si vous sélectionnez une valeur autre que "Auto", effectuez le réglage de manière que les couleurs soient naturelles.
- Si les images ne semblent pas nettes, spécifiez un autre type de signal vidéo numérique.
- Pour de plus amples détails concernant les types de signal, reportez-vous au mode d'emploi qui accompagne l'appareil relié.

Pour spécifier le type de signaux audio :

Quand vous utilisez la prise INPUT2 ou INPUT3 HDMI, procédez comme suit pour préciser le type des signaux audio.

- 1 Répétez les opérations 1 à 2 de la partie "**Pour mettre en service la prise HDMI**".
- 2 Sélectionnez "Audio" (↑/↓).
- 3 Sélectionnez le type de signaux audio (←/→).
 - Si vous sélectionnez "Auto", l'appareil tente d'identifier les signaux audio lorsqu'ils sont reçus.

Paramètre	Description
Auto	Le type des signaux d'entrée audio est automatiquement identifié.
Numérique	Les signaux audio numériques sont acceptés.
Analogique	Les signaux audio analogiques sont acceptés.

- 4 Appuyez sur **HOME MENU, INPUT 1 à INPUT 6 (INPUT)** pour quitter le menu.

REMARQUE

- Si aucun son n'est produit, sélectionner un autre type pour les signaux audio.
- Pour les types de signal audio à spécifier, vérifiez dans le mode d'emploi accompagnant l'appareil raccordé.
- Selon l'équipement à raccorder, vous devrez aussi brancher des câbles audio analogues.

Utilisation de l'entrée DVI

Cet écran plasma est doté d'une borne DVI (INPUT1) qui accepte les signaux vidéo numériques.

Avant de démarrer le menu, appuyez sur la touche **INPUT 1** de la télécommande pour sélectionner ENTRÉE1.

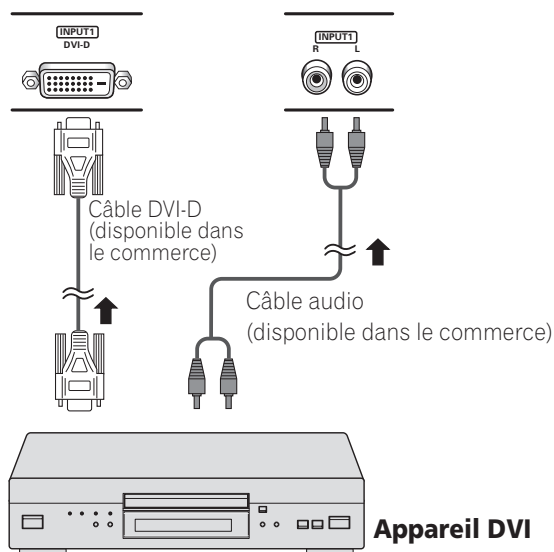
Tableau de corrélation des signaux d'entrée

1920*1080i@50 Hz
720*576p@50 Hz
1280*720p@50 Hz
1920*1080i@59,94/60 Hz
720*480p@59,94/60 Hz
1280*720p@59,94/60 Hz

REMARQUE

- Reportez-vous à la section "Tableau de compatibilité ordinateur" (page 37) en ce qui concerne les signaux d'ordinateur pris en compte.

Branchement d'un appareil DVI



Pour mettre en service la prise DVI:

Quand vous utilisez la prise INPUT1, procédez comme suit pour la mettre en service.

- 1 Appuyez sur **HOME MENU**.
- 2 Sélectionnez "Installation" (↑/↓, puis **ENTER (ENTER/DISP.)**).
- 3 Sélectionnez "ENTRÉE1" (↑/↓, puis **ENTER (ENTER/DISP.)**).
- 4 Réglez le paramètre "AV".
- 5 Appuyez sur **HOME MENU, INPUT 1 à INPUT 6 (INPUT)** pour quitter le menu.

REMARQUE

- Reportez-vous à la section "Affichage des images d'un ordinateur personnel" (page 36) en ce qui concerne les branchements à un ordinateur.

Pour spécifier le type des signaux vidéo numériques:

- 1 Répétez les opérations 1 et 3 de la section "**Pour mettre en service la prise DVI**".
- 2 Sélectionnez "Vidéo" (↑/↓).
- 3 Sélectionnez le type de signaux vidéo numériques (←/→).

Paramètre	Description
RVB (16-235)	Signaux RVB numériques (16 à 235) verrouillés
RVB (0-255)	Signaux RVB numériques (0 à 255) verrouillés

- 4 Appuyez sur **HOME MENU, INPUT 1 à INPUT 6 (INPUT)** pour quitter le menu.

REMARQUE

- Cette sélection est invalidée quand le paramètre "Type de signal" est réglé sur "PC". Pour plus de détails sur le réglage du type de signal, reportez-vous à la section "**Pour mettre en service la prise DVI**".
- Si les images ne semblent pas nettes, spécifiez un autre type de signal vidéo numérique.
- En ce qui concerne les types de signaux vidéo numériques à spécifier, consultez le mode d'emploi fourni avec l'appareil raccordé.

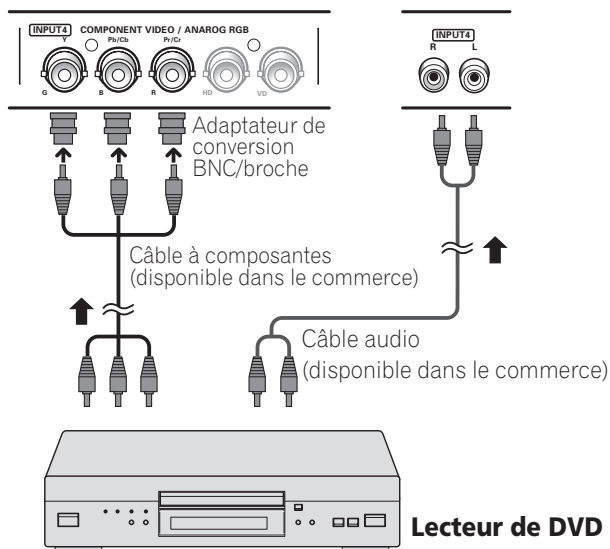
Affichage des images d'un lecteur de DVD

Tableau de corrélation des signaux d'entrée

1920*1080p@24 Hz
1920*1080i@50 Hz
1920*1080i@59,94/60 Hz
1280*720p@50 Hz
1280*720p@59,94/60 Hz
720*576p@50 Hz
720*576i@50 Hz
720*480p@59,94/60 Hz
720*480i@59,94/60 Hz

Branchement d'un lecteur de DVD

Utilisez la borne INPUT4, 5 ou 6 pour brancher un lecteur de DVD ou un autre appareil audiovisuel.



Affichage des images d'un DVD

Pour regarder les images d'un DVD, appuyez sur la touche **INPUT 4, 5 ou 6 (INPUT)** pour sélectionner ENTRÉE4, 5 ou 6.

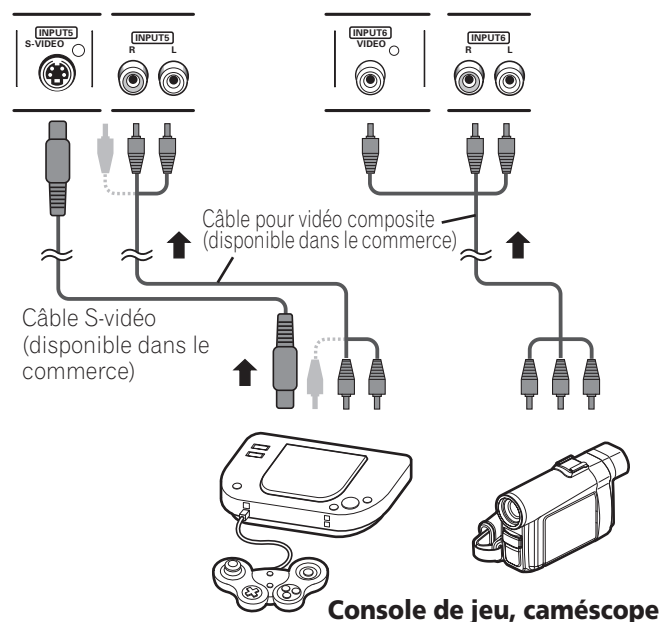
REMARQUE

- Si l'image du lecteur de DVD n'est pas nette, changez le type du signal d'entrée en utilisant pour cela le menu. Reportez-vous à la page 31.
- Pour connaître les types de signaux possibles, reportez-vous au mode d'emploi qui accompagne le lecteur de DVD.

Utilisation d'une console de jeu et visionnement des images d'un caméscope

Raccordement d'une console de jeu ou d'un caméscope

Utilisez la prise **INPUT5** ou **INPUT6** pour raccorder une console de jeu, un caméscope ou un autre appareil audiovisuel.



Affichage de l'image d'une console de jeu ou d'un caméscope

Pour regarder l'image provenant d'une console de jeu ou d'un caméscope, appuyez sur la touche **INPUT 5** ou **INPUT 6 (INPUT)** pour sélectionner ENTRÉE5 ou ENTRÉE6.

REMARQUE

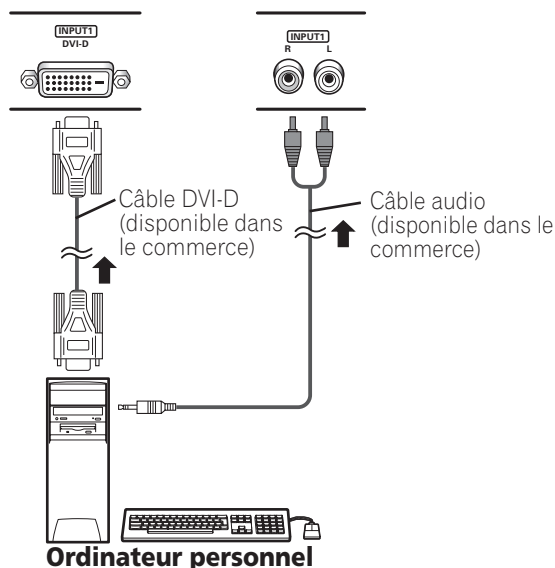
- Ne raccordez un appareil qu'aux prises qui seront effectivement utilisées.

Affichage des images d'un ordinateur personnel

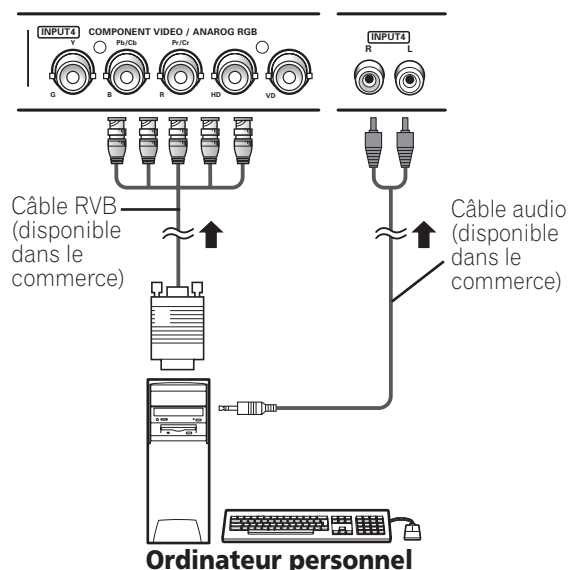
Branchement d'un ordinateur personnel

Utilisez les prises **INPUT1** ou **INPUT4** pour raccorder un ordinateur personnel.

A l'emploi de la prise **INPUT1**:



A l'emploi de la prise **INPUT4**:



Affichage de l'image d'un ordinateur personnel

Pour regarder les images provenant d'un ordinateur personnel, appuyez sur la touche **INPUT 1** ou **INPUT 4 (INPUT)**.

Lors du branchement d'un ordinateur personnel, le type correct du signal d'entrée est automatiquement détecté. Si l'image de l'ordinateur n'est pas nette, l'emploi de la fonction Auto-installation de la télécommande peut être nécessaire.

Tableau de compatibilité ordinateur

Résolution	Fréquence	Remarques
720 x 400	70 Hz	
640 x 480	60 Hz	
	72 Hz	
	75 Hz	
800 x 600	60 Hz	
	72 Hz	
	75 Hz	
1024 x 768	60 Hz	
	70 Hz	
	75 Hz	
1280 x 720	60 Hz	
1280 x 768	60 Hz	
1280 x 1024	60 Hz	

REMARQUE

- L'entrée INPUT1 (DVI) prend aussi en compte les signaux 1280 x 1024 @75 Hz et 1920 x 1080 @60 Hz.

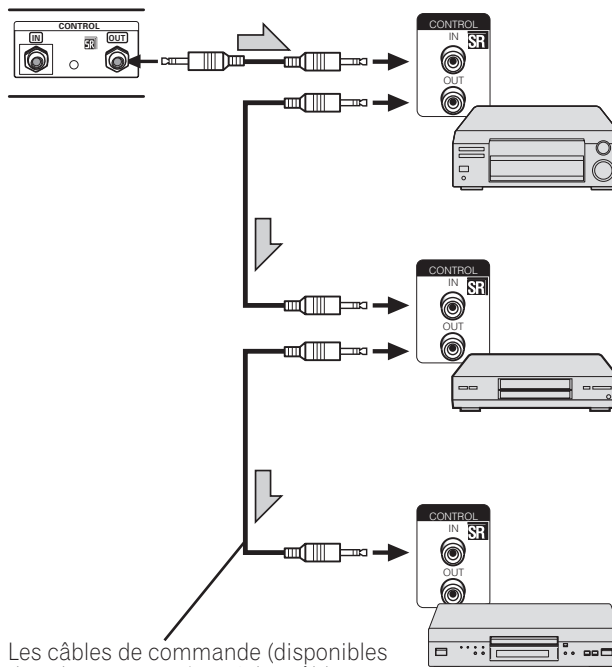
Raccordement des câbles de commande

Raccordez les câbles de commande entre l'écran plasma et les autres appareils PIONEER portant le logo **SR+**. Vous pouvez alors utiliser l'appareil raccordé en envoyant les signaux par sa télécommande vers le capteur de télécommande prévu sur l'écran plasma.

Lorsque les prises CONTROL IN d'un appareil sont reliées à celui-ci, le capteur de télécommande de cet appareil n'accepte plus les ordres que peut lui adresser son boîtier de télécommande. Pour agir sur l'appareil relié à ce système, dirigez son boîtier de télécommande vers le capteur de télécommande de l'écran plasma.

REMARQUE

- N'oubliez pas de mettre les appareils hors tension avant d'effectuer les raccordements.
- Réalisez tous les raccordements entre appareils avant de vous occuper de ceux qui concernent les câbles de commande.



Les câbles de commande (disponibles dans le commerce) sont des câbles mono pourvus de minifiches (sans résistance).

À propos de SR+

La prise CONTROL OUT à l'arrière de l'écran plasma est conforme à la spécification **SR+** qui autorise une liaison fonctionnelle avec un récepteur audiovisuel PIONEER. **SR+** assure diverses fonctions, telles la sélection de l'entrée et l'affichage de la correction d'ambiance DSP. Pour plus d'informations, reportez-vous au mode d'emploi qui accompagne le récepteur AV de PIONEER, prenant en compte la norme **SR+**.

- 1 Appuyez sur **HOME MENU**.
- 2 Sélectionnez "Installation" (↑/↓, puis **ENTER (ENTER/DISP.)**).
- 3 Sélectionnez "SR+" (↑/↓).
- 4 Sélectionner "Marche" (←/→).

Paramètre	Description
Arrêt	SR+ est désactivé.
Marche	Une opération couplée est possible avec un appareil, raccordé aux bornes SR+.

- 5 Appuyez sur **HOME MENU, INPUT 1 à INPUT 6 (INPUT)** pour quitter le menu.

REMARQUE

- Lors d'une connexion via la borne **SR+**, le volume fourni à cet écran plasma est temporairement atténué.

Guide de dépannage

Anomalie	Action corrective possible
<ul style="list-style-type: none"> • Absence d'alimentation. • L'écran plasma ne peut pas être mis sous tension. 	<ul style="list-style-type: none"> • La fiche du cordon d'alimentation est-elle débranchée? (Reportez-vous à la page 18.) • Le système est-il sous tension? (Reportez-vous à la page 21.)
<ul style="list-style-type: none"> • L'écran plasma ne fonctionne pas. 	<ul style="list-style-type: none"> • Des phénomènes extérieurs tels qu'orage, charge d'électricité statique, etc. peuvent provoquer une anomalie de fonctionnement. • Dans ce cas, mettez l'écran plasma hors tension ou débranchez son cordon d'alimentation avant de le rebranchez après 1 à 2 minutes.
<ul style="list-style-type: none"> • Le boîtier de télécommande ne fonctionne pas. 	<ul style="list-style-type: none"> • Les polarités (+, -) des piles sont-elles inversées? (Reportez-vous à la page 20.) • Les piles sont-elles épuisées? Remplacez-les par des piles neuves. (Reportez-vous à la page 20.) • Agissez sur le boîtier de télécommande en le dirigeant vers le capteur de télécommande de l'écran plasma. (Reportez-vous à la page 20.) • Le boîtier de télécommande est-il exposé à un éclairage puissant ou fluorescent? • Un éclairage fluorescent illumine-t-il le capteur de télécommande?
<ul style="list-style-type: none"> • Absence d'image et de son. 	<ul style="list-style-type: none"> • Contrôlez la connexion des autres appareils. (Reportez-vous aux page 33 à 37.)
<ul style="list-style-type: none"> • Absence d'image 	<ul style="list-style-type: none"> • Les raccordements aux autres appareils sont-ils corrects? (Reportez-vous aux page 33 à 37.) • Le signal provenant de l'ordinateur personnel est-il incompatible? (Reportez-vous à la page 37.) • La sélection d'entrée est-elle correcte? (Reportez-vous à la page 31.)
<ul style="list-style-type: none"> • Des images mais pas de son. 	<ul style="list-style-type: none"> • Assurez-vous que le niveau de sortie n'est pas réglé au minimum. (Reportez-vous à la page 21.) • Assurez-vous que le silencieux n'est pas en service. (Reportez-vous à la page 21.) • A l'emploi de INPUT1, INPUT4, INPUT5 ou INPUT6 comme source d'entrée, assurez-vous que les connecteurs audio ont aussi été raccordés correctement. (Reportez-vous aux page 33 à 36.)
<ul style="list-style-type: none"> • Les sons sont inversés, droite gauche. • Les sons ne sont émis que d'une seule enceinte. 	<ul style="list-style-type: none"> • Assurez-vous que les liaisons aux enceintes n'ont pas été interverties, et que l'une ou l'autre n'est pas débranchée. (Reportez-vous à la 15.) • La balance est-elle correctement réglée? (Reportez-vous à la 28.)
<ul style="list-style-type: none"> • L'image est tronquée. 	<ul style="list-style-type: none"> • La position de l'image est-elle correcte? (Reportez-vous à la 30.) • Le format d'image est-il correct? (Reportez-vous aux pages 23 et 32.)
<ul style="list-style-type: none"> • Couleurs surprenantes, couleurs délavées, couleurs sombres ou mal alignées. 	<ul style="list-style-type: none"> • Réglez la tonalité de l'image. (Reportez-vous aux pages 25 à 28.) • La pièce est-elle trop éclairée? L'image peut paraître sombre dans une pièce trop éclairée. • Vérifiez le choix du standard couleur. (Reportez-vous à la page 31.)
<ul style="list-style-type: none"> • Image rémanente 	<ul style="list-style-type: none"> • Si l'écran passe à une scène sombre après l'affichage d'une image fixe ou d'une image très claire pendant une certaine durée, il se peut que l'image antérieure continue d'apparaître par rémanence. • Ce phénomène peut être rectifié en affichant une image mobile relativement claire pendant plusieurs minutes. Mais l'affichage d'une image fixe pendant une très longue durée risque de provoquer une détérioration permanente de l'écran.
<ul style="list-style-type: none"> • Luminosité ou couleurs différentes sur la gauche/droite, dans le haut/bas ou au centre de l'écran. 	<ul style="list-style-type: none"> • L'affichage d'une image de type "letterbox", comportant des bandes noires dans le haut/bas ou sur la gauche/droite pendant une durée prolongée ou régulièrement chaque jour, peut entraîner une brûlure des matières fluorescentes de l'écran plasma et la production d'une image rémanente. • C'est pourquoi il est vivement conseillé de choisir un format d'écran qui ne produit pas ce genre de bandes noires. Affichez un contenu qui remplit totalement l'écran jusqu'à ce que le déséquilibre soit atténué. Il se peut que certains signaux nécessitent un changement du réglage du format de l'écran. (Reportez-vous à la page 23)
<ul style="list-style-type: none"> • L'alimentation se coupe brusquement. 	<ul style="list-style-type: none"> • La température interne de l'écran plasma a augmenté. Retirez tout objet qui obstrue les événements ou nettoyez ceux-ci. (Reportez-vous à la page 16.) • Vérifiez le réglage de la commande d'alimentation. (Reportez-vous à la page 29.)
<ul style="list-style-type: none"> • Sons / bruits de panneau 	<ul style="list-style-type: none"> • Les sons générés par le panneau, par exemple : bruit de ventilateur électrique, ronflement de circuit électrique / bourdonnement de panneau de verre font partie du fonctionnement normal d'un écran matriciel à luminophores.

Si les codes d'erreur ci-dessous apparaissent à l'écran, effectuez les vérifications correspondantes indiquées dans le tableau.

Code	Message	Vérification
SD04	S'éteint. Température interne trop élevée. Vérifier la température dans PDP.	Assurez-vous que la température de l'écran plasma n'est pas trop élevée.
SD05	S'éteint. Protection interne des circuits activée. Y-a-t-il un court-circuit dans le câble de l'enceinte?	Contrôlez les liaisons entre l'écran plasma et les enceintes.

Caractéristiques techniques

Nombre de pixels	1920 × 1080 pixels	
Amplificateur audio	13 W + 13 W (1 kHz, 10 %, 8 Ω)	
Systèmes d'ambiance	SRS/FOCUS/TruBass	
Alimentation	120 V CA, 60 Hz, 420 W (0,3 W en veille)	
Dimensions	1282 mm (L) × 750,5 mm (H) × 98 mm (P)	
Poids	39,8 kg	
Système couleur	PAL/SECAM/NTSC 3.58/NTSC 4.43/PAL 60	
Prises	INPUT1	DVI (DVI-D)
	INPUT2	HDMI *1
	INPUT3	HDMI *1
	INPUT4	BNC (COMPONENT VIDEO ou ANALOG RGB)
	INPUT5	S-VIDEO
	INPUT6	VIDEO

*1 Conforme à HDMI1.1 et HDCP1.1.

HDMI (High Definition Multimedia Interface) est une interface numérique qui gère la vidéo et le son sur un seul câble.

HDCP (High-bandwidth Digital Content Protection) est une technologie utilisée pour protéger les contenus numériques sujets à copyright qui utilise l'interface visuelle numérique (DVI).

- Les caractéristiques et la présentation peuvent être modifiées sans avis préalable.

Marques de commerce

- FOCUS, WOW, SRS et le symbole (●)® sont des marques de commerce de SRS Labs, Inc.
- Les technologies FOCUS et SRS sont incorporées sous licence de SRS Labs, Inc.
- Cet appareil est doté des polices FontAvenue® sous licence NEC Corporation. FontAvenue est une marque déposée par NEC Corporation.
- HDMI, le logo HDMI et High-Definition Multimedia Interface sont des marques de commerce ou des marques déposées de HDMI Licensing LLC.
- Les noms de société ou d'organisme sont des marques de commerce ou des marques déposées de leur société ou organisme respectif.

Publication de Pioneer Corporation.

© 2006 Pioneer Corporation.

Tous droits de reproduction et de traduction réservés.

IMPORTANTE



El relámpago con una flecha dentro de un triángulo equilátero se utiliza para alertar al usuario sobre la presencia de "voltaje peligroso" no aislada dentro del producto, que puede ser de magnitud suficiente para presentar el riesgo de choque eléctrico a las personas.

CAUTION

RISK OF ELECTRIC SHOCK
DO NOT OPEN

ATENCIÓN:

PARA PREVENIR EL RIESGO DE CHOQUE ELÉCTRICO, NO quite la cubierta (o parte posterior). NO existen piezas dentro del producto que el usuario pueda reparar. ENCARGUE EL SERVICIO A PERSONAL CALIFICADO.



El signo de exclamación dentro de un triángulo equilátero se utiliza para alertar al usuario sobre la presencia de importantes instrucciones de operación y mantenimiento (servicio) en los documentos que acompañan el aparato.

INSTRUCCIONES DE SEGURIDAD IMPORTANTES

- 1) Lea estas instrucciones.
- 2) Guarde estas instrucciones.
- 3) Preste atención a las advertencias.
- 4) Siga todas las instrucciones.
- 5) No utilice este aparato cerca del agua.
- 6) Limpie solamente con un paño seco.
- 7) No bloquee ninguna abertura de ventilación. Instale de acuerdo con las instrucciones del fabricante.
- 8) No instale cerca de fuentes de calor como radiadores, calentadores, estufas, u otros aparatos (incluyendo amplificadores) que generen calor.
- 9) No anule el propósito de seguridad de la clavija polarizada o de puesta a tierra. Una clavija polarizada tiene dos patillas, una más ancha que la otra. Una clavija con puesta a tierra tiene dos patillas y un tercer contacto de puesta a tierra. La patilla ancha o el tercer contacto se proveen para su seguridad. Si la clavija suministrada no se ajusta en su toma de corriente, consulte un electricista para el reemplazo de la toma de corriente obsoleta.
- 10) Proteja el cable de alimentación de modo que no sea pisado o apretado particularmente en las clavijas, receptáculos, y en el punto que salen del aparato.
- 11) Utilice solamente accesorios especificados por el fabricante.
- 12) Utilice solamente el carrito, soporte, trípode, ménsula o mesa especificado por el fabricante o vendido junto con el producto. Cuando se utiliza un carrito, tenga cuidado de no mover la combinación de carrito y aparato para evitar lesiones debido a una queda.
- 13) Desenchufe este aparato durante tempestades o cuando no utilice el aparato durante largos períodos de tiempo.
- 14) Encargue el servicio a personal de servicio calificado. Se requiere servicio cuando el aparatado ha sufrido daños de alguna manera, como daños en el cable de alimentación o clavija, entrada de líquidos u objetos en el aparato, exposición del aparato a la lluvia o humedad, cuando el aparato no funcione normalmente, o haya caído.



ADVERTENCIA

Este producto está provisto de una clavija de tres conductores con toma de tierra (puesta a tierra) cuya tercera patilla es la de toma de tierra. Esta clavija sólo se adapta en una toma de corriente del tipo de toma de tierra. Si no puede insertar la clavija en la toma de corriente, llame a un electricista profesional para que le reemplace la toma de corriente por otra con toma de tierra que sea adecuada. No elimine el dispositivo de seguridad de la clavija con toma de tierra.

D3-4-2-1-6_A_Sp

ADVERTENCIA

Para evitar el peligro de incendio, no ponga nada con fuego encendido (como pueda ser una vela) encima del aparato.

D3-4-2-1-7a_A_Sp

PRECAUCIÓN PARA LA VENTILACIÓN

Cuando instale este aparato, asegúrese de dejar espacio en torno al mismo para la ventilación con el fin de mejorar la disipación de calor. Para el espacio mínimo requerido, consulte la página 16.

ADVERTENCIA

Las ranuras y aberturas de la caja del aparato sirven para su ventilación para poder asegurar un funcionamiento fiable del aparato y para protegerlo contra sobrecalentamiento. Para evitar el peligro de incendio, las aberturas nunca deberán taparse ni cubrirse con nada (como por ejemplo, periódicos, manteles, cortinas) ni ponerse en funcionamiento el aparato sobre una alfombra gruesas o una cama.

PRECAUCIÓN

El interruptor de la alimentación POWER de este aparato no corta por completo toda la alimentación de la toma de corriente de CA. Puesto que el cable de alimentación hace las funciones de dispositivo de desconexión de la corriente para el aparato, para desconectar toda la alimentación del aparato deberá desenchufar el cable de la toma de corriente de CA. Por lo tanto, asegúrese de instalar el aparato de modo que el cable de alimentación pueda desenchufarse con facilidad de la toma de corriente de CA en caso de un accidente. Para evitar correr el peligro de incendio, el cable de alimentación también deberá desenchufarse de la toma de corriente de CA cuando no se tenga la intención de utilizarlo durante mucho tiempo seguido (por ejemplo, antes de irse de vacaciones).

Botón STANDBY/ON

STANDBY: En el modo de espera, el flujo de alimentación principal se corta y la unidad no queda totalmente operacional.

Indicador STANDBY/ON

El indicador se enciende en rojo cuando la unidad está en el modo de espera y se enciende en azul cuando está en el modo de encendido.

ADVERTENCIA: ESTE APARATO NO ES IMPERMEABLE. PARA PREVENIR EL PELIGRO DE INCENDIO O CHOQUE ELÉCTRICO, NO EXPONGA ESTE APARATO A LA LLUVIA O HUMEDAD, Y NO PONGA NINGUNA FUENTE DE AGUA CERCA DE ESTE APARATO, COMO JARRONES O MACETAS DE FLORES, RECIPIENTES DE COSMÉTICOS, FRASCOS DE REMEDIOS, ETC.

ADVERTENCIA: El manoseo del cable de este producto o de cables asociados con los accesorios vendidos con el producto le exponen al plomo, una sustancia química conocida en el Estado de California y otras entidades gubernamentales como una causa de cáncer y defectos de nacimiento u otros daños de reproducción. **Lave las manos tras el manoseo.**

Información al usuario

Cambios o modificaciones realizados sin la autorización apropiada pueden invalidar el derecho del usuario de operar el equipo.

[Para el modelo canadiense]

Este aparato digital de clase B cumple con la norma ICES-003 del Canadá.

NOTA: Este equipo ha sido probado y se ha comprobado que cumple con los límites para un dispositivo digital de clase B, de acuerdo con la Parte 15 de las Reglas de FCC. Esos límites están concebidos para proveer una protección razonable contra interferencias perjudiciales en una instalación residencial. Este equipo genera, utiliza, y puede radiar energía de frecuencia de radio y, si no se instala y se utiliza de acuerdo con las instrucciones, puede causar interferencias perjudiciales a las comunicaciones de radio. Sin embargo, no hay ninguna garantía de que no ocurrirá interferencia en una instalación particular. Si este equipo causa interferencia perjudicial a la recepción de radio o televisión, que se puede determinar mediante el encendido y apagado del equipo, se recomienda al usuario que intente corregir la interferencia a través de una o más de las medidas siguientes:

- Reoriente o reubique la antena de recepción.
- Aumente la separación entre el equipo y el receptor.
- Conecte el equipo a una toma de corriente en un circuito diferente del cual el receptor está conectado.
- Consulte su revendedor o un técnico experimentado de radio/TV para ayuda.

PRECAUCIÓN: Este producto satisface los reglamentos de la FCC cuando se utilizan cables o conectores blindados para conectar el producto a otro equipo. Para impedir las interferencias electromagnéticas con aparatos eléctricos tales como radios y televisores, utilice conectores y cables blindados para hacer las conexiones.

AVISO IMPORTANTE – El número de serie para este equipo se encuentra en el panel trasero. Sírvase escribir este número de serie en su tarjeta de garantía adjunta y guárdela en un lugar seguro. Esto es para su seguridad.

PRECAUCIÓN: Este modelo PRO-FHD1 debe utilizarse exclusivamente con el soporte PDK-TS23. Si se utiliza con otros soportes podría perderse la estabilidad y ocasionarse daños personales.

COMISIÓN FEDERAL DE COMUNICACIONES DECLARACIÓN DE CONFORMIDAD

Este dispositivo cumple con la parte 15 de los reglamentos de la FCC. El funcionamiento está sujeto a las dos condiciones siguientes: (1) Este dispositivo no puede causar interferencia perjudicial, y (2) este dispositivo debe aceptar cualquier interferencia recibida, incluyendo una interferencia que puede causar un funcionamiento no deseado.

Nombre del producto: Pantalla de Plasma

Número del modelo: PRO-FHD1

Categoría del producto: Computadoras personales y periféricos de clase B

Nombre del responsable: PIONEER ELECTRONICS SERVICE, INC.

Dirección: 1925 E. DOMINGUEZ ST. LONG BEACH, CA 90801-1760, U.S.A.

Teléfono: 800-421-1625

URL para clientes de negocios:

<http://www.PioneerUSA.com>

Gracias por la adquisición de este producto Pioneer.

Lea completamente este manual de instrucciones para aprender a operar correctamente el aparato. Después de haber terminado la lectura de las instrucciones, guarde el manual en un lugar seguro para poderlo consultar en el futuro.

En algunos países o regiones, la forma de la clavija de alimentación y de la toma de corriente pueden ser diferentes de la mostrada en las ilustraciones de explicación. Sin embargo, el método de conexión y operación del aparato es el mismo.

01 Información de orientación importante para el usuario

02 Precauciones de seguridad

03 Accesorios

04 Accesorios suministrados

05 Nombres de los componentes

Unidad principal	13
Mando a distancia	14
Panel de conexiones	15

06 Preparación

Instalación de la pantalla de plasma	16
Prevención de queda de la pantalla de plasma	17
Conexión de cable de alimentación	18
Cómo instalar los cables	19
Preparación del mando a distancia	20
Instalación de las pilas	20
Precauciones relacionadas con las pilas	20
Rango de operación permisible del mando a distancia	20
Precauciones relacionadas con el mando a distancia	20

07 Operación

Indicadores de estado de la pantalla de plasma	21
Cambio del volumen y sonido	21
Empleo de las funciones de pantallas múltiples	22
División de la pantalla	22
Confirmación del estado actual	22
Selección AV	22
Selección manual de un tamaño de pantalla	23

08 Menú de configuración

Utilización de los menús	24
Menús del modo AV	24
Menús del modo PC	24
Operaciones con los menús	24

09 Configuraciones básicas

Configuración del idioma	25
Ajustes de la imagen básicos	25
Ajustes de imagen avanzados	25
Utilización de PureCinema	25
Utilización de la temperatura de color	26
Utilización de CTI	26
Utilización de la gestión del color	26
Reducción del ruido de las imágenes ...	27
Utilización de las funciones del Expansor de Gamma Dinámica (DRE)	27
Utilización de 3DYC y del I-P Modo	28
Ajustes del sonido	28
FOCUS	28
Surround frontal	28
Control de la alimentación	29

10 Ajustes útiles

Cambio de la frecuencia de accionamiento vertical (sólo el modo AV)	30
Ajuste de las posiciones de la imagen (sólo el modo AV)	30
Ajuste automático de las posiciones y reloj de las imágenes (sólo el modo PC)	30
Ajuste manual de las posiciones y reloj de las imágenes (sólo el modo PC)	30
Selección de un tipo de señal de entrada	31
Configuración del sistema de color	31
Selección automática de un tamaño de pantalla (sólo el modo AV)	32
Selección de un tamaño de pantalla para las señales de relación de aspecto 4:3 recibidas (sólo el modo AV)	32

11 Utilización de un micrófono exterior

Para ver la imagen de un decodificador o de una videgrabadora	33
Conexión de un decodificador o de una videgrabadora	33
Visualización de la imagen de un decodificador o de una videgrabadora	33
Empleo de la entrada HDMI	33
Conexión del equipo HDMI	34
Empleo de la entrada DVI	35
Conexión del equipo DVI	35
Visualización de la imagen de un DVD	35
Conexión de un reproductor de DVD	35
Visualización de la imagen del DVD	36
Reproducción con consola de videojuegos o videocámara	36
Conexión de una consola de videojuegos o una videocámara	36
Visualización de la imagen de una consola de videojuegos o de una videocámara	36
Visualización de la imagen de un ordenador	36
Conexión de un ordenador	36
Visualización de la imagen de un ordenador	37
Gráfica de compatibilidad con ordenador	37
Conexión de los cables de control	37
Acerca de SR+	37

12 Apéndice

Solución de problemas	38
Especificaciones	39

Para poder disfrutar al máximo con esta pantalla de plasma PureVision PRO-FHD1 de Pioneer, lea primero minuciosamente esta información.

Con la pantalla de plasma PureVision PRO-FHD1 de Pioneer, podrá estar seguro de poseer una pantalla de plasma de alta calidad que le ofrecerá larga duración y alta fiabilidad. Para poder ver unas imágenes de calidad excepcional, esta pantalla de plasma de Pioneer incorpora los adelantos tecnológicos más nuevos en su diseño y construcción, así como tecnología de precisión muy avanzada.

La pantalla PureVision PRO-FHD1 de Pioneer incorpora la tecnología más nueva en filtros de color — Direct Color Filter. Este filtro mejora la reproducción del color/imagen de estos modelos en comparación con los modelos anteriores. Además, elimina la necesidad de poner un panel de vidrio físico delante del panel de plasma, con lo que se reduce todavía más el desperdicio de recursos ambientales para productos electrónicos para el consumidor, de acuerdo con los objetivos de Pioneer, durante el proceso de fabricación y en el futuro proceso de reciclaje.

A medida que pasa el tiempo, la luminosidad de la pantalla de plasma PRO-FHD1 de Pioneer se reduce muy lentamente, al igual que ocurre con todas las pantallas basadas en fósforos (por ejemplo, de los televisores de tubo tradicionales). Para disfrutar de imágenes hermosas y claras en su pantalla de plasma de Pioneer durante mucho tiempo, lea minuciosamente y siga las indicaciones para la utilización que se mencionan a continuación:

Indicaciones para la utilización

Todas las pantallas basadas en fósforos (incluyendo los televisores de tubo convencionales) pueden verse afectadas por la visualización de imágenes fijas durante mucho tiempo seguido. La pantalla de plasma no es una excepción de esta regla. Los efectos de las imágenes residuales y permanentes en la pantalla podrán evitarse tomando algunas precauciones básicas. Siguiendo las recomendaciones que se mencionan a continuación, podrá estar seguro que obtendrá unos resultados satisfactorios y más larga duración de su pantalla de plasma:

- Siempre que sea posible, evite visualizar frecuentemente la misma imagen o imágenes en movimiento virtualmente fijas (ej., imágenes con subtítulos o imágenes de videojuegos con partes estáticas).
- Evite ver durante largos periodos de tiempo la visualización en pantalla correspondiente a un descodificador, reproductor DVD, videograbadora y todos los demás componentes.
- Cuando utilice el modo de imagen fija de un televisor, videograbadora, reproductor DVD o cualquier otro componente, no visualice la misma imagen ni haga una pausa durante un largo periodo de tiempo.
- Las imágenes que tienen áreas muy brillantes y muy oscuras unas junto a otras no deberán visualizarse durante largos periodos de tiempo.
- Cuando visualice imágenes de una consola de videojuegos, se recomienda utilizar el modo "JUEGO" dentro de "Selección AV". Sin embargo, limite el tiempo de utilización de ese modo a menos de 2 horas cada vez.
- Después de jugar con una consola de videojuegos, visualizar una imagen de PC o cualquier imagen fija, lo mejor es ver una imagen en movimiento normal en la pantalla "PANORÁMICA" o "COMPLETA" durante un tiempo 3 veces superior al que dura la imagen fija anterior.
- Después de haber utilizado la pantalla de plasma, establezca siempre la pantalla en el modo de "ESPERA".

- La visión prolongada de imágenes con las máscaras superior, inferior o laterales, puede ocasionar un desgaste desigual. Después de mirar un contenido con máscara, se recomienda mirar vídeo en movimiento en la pantalla entera durante un tiempo equivalente o más largo.

Indicaciones para la instalación

La pantalla de plasma PureVision PRO-FHD1 de Pioneer incorpora un diseño muy plano. Para mayor seguridad, tome las medidas adecuadas para montar o instalar la pantalla de plasma, con el fin de evitar la posibilidad que pueda caerse en caso de vibraciones o de algún movimiento accidental.

Este producto deberá instalarse utilizando solamente las piezas y los accesorios diseñados por PIONEER. La utilización de accesorios que no sean el soporte o la ménsula de instalación de PIONEER puede ser la causa de que se produzcan inestabilidad y lesiones. Para realizar una instalación personalizada, consulte el concesionario a quien adquirió la unidad. Para garantizar una instalación correcta de la unidad, ésta deberá ser llevada a cabo por un experto con experiencia y bien cualificado. PIONEER no se hará responsable de los accidentes o daños causados al utilizar las piezas y los accesorios fabricados por otras compañías.

Para evitar fallos en el funcionamiento y recalentamientos, asegúrese de que los orificios de ventilación de la unidad principal no estén bloqueados al hacer la instalación, para asegurar así una salida del calor apropiada:

- Separe ligeramente la unidad de otros equipos, paredes, etc. Para el espacio mínimo requerido alrededor del aparato, consulte la página 16.
- No instale la unidad en espacios angostos donde la ventilación no sea apropiada.
- No tape la unidad con un paño, etc.
- Utilizando una aspiradora con su potencia de aspiración ajustada al mínimo, limpie el polvo acumulado en los orificios de ventilación de los lados y de la parte trasera de la unidad.
- No ponga el producto sobre una alfombra o manta.

La utilización de la unidad sin la ventilación apropiada puede ser la causa de que la temperatura interna aumente y de que se produzca un fallo en el funcionamiento. Cuando la temperatura ambiental o interna supere cierto valor, la pantalla se apagará automáticamente para que se enfríen los componentes electrónicos internos y se impidan situaciones peligrosas.

Puede que se produzca un fallo en el funcionamiento debido a: un lugar de instalación inapropiado o a un ensamblaje, instalación, montaje o funcionamiento incorrectos de este producto, o a que se han hecho modificaciones en el mismo. Sin embargo, PIONEER no se hace responsable de los accidentes o fallos en el funcionamiento que se puedan producir.

NOTA

A continuación se describen las características y efectos típicos de una pantalla de matriz basada en fósforo y, por lo tanto, no están cubiertos por las garantías limitadas del fabricante:

- Imágenes residuales permanentes sobre los fósforos del panel.
- La existencia de un número muy pequeño de celdas de luz inactivas.
- Sonidos generados por el panel como, por ejemplo: Ruido del motor del ventilador, y zumbido del circuito eléctrico/panel de vidrio

PRECAUCIÓN

La PIONEER no se hace responsable de los daños provenientes de la utilización incorrecta del producto por el usuario u otras personas, fallos de funcionamiento durante la utilización, problemas relacionados con otros componentes, y utilización del producto, excepto en los casos donde la compañía deba ser responsable.

Función de protección de la pantalla de plasma

Cuando imágenes fijas (como fotos e imágenes de ordenadores) permanecen en la pantalla durante un período de tiempo prolongado, la pantalla se oscurece ligeramente. Esto ocurre porque la función de protección de la pantalla de plasma ajusta automáticamente el brillo para proteger la pantalla al detectar imágenes fijas. La pantalla se oscurece cuando se detecta una imagen fija durante aproximadamente tres minutos.

Información sobre el defecto de células

Las pantallas de plasma muestran la información empleando células. Los paneles de pantalla de plasma de Pioneer contienen un número muy elevado de células. (Dependiendo del tamaño del panel, pueden sobrepasarse los 6,2 millones de células.) Todos los paneles de pantallas de Pioneer están fabricados con muy alto nivel tecnológico de ultra-precisión y pasan por un control de calidad individual.

En raros casos, algunas células pueden quedar permanentemente desactivadas, o activadas, produciendo una célula negra o de color permanentemente fija en la pantalla.

Este efecto es común en todas las pantallas de plasma porque es una consecuencia de la tecnología.

Si las células defectuosas son visibles a una distancia normal de visión de 2,5 a 3,5 metros cuando se mira una televisión normal (es decir, que no sea la tarjeta de prueba, una imagen fija ni una imagen de un solo color), póngase en contacto con la sección Pioneer Customer Support Div. (EE.UU.) o con la sección Customer Satisfaction Dept. (CANADÁ). Vea la contracubierta.

Sin embargo, si sólo se ven de cerca o cuando se miran imágenes de un solo color, el fenómeno se considera normal para esta tecnología.

Rayos infrarrojos

La pantalla de plasma radia rayos infrarrojos debido a sus características. Dependiendo de cómo se está utilizando la pantalla de plasma, los mandos a distancia de equipos próximos pueden afectarse adversamente, o teléfonos sin hilos que utilizan rayos infrarrojos pueden sufrir interferencias. Si esto es el caso, ponga el equipo en un lugar donde su sensor de mando remoto no sea afectado.

Interferencia de radio

Aunque este producto satisfaga las especificaciones requeridas, ello emite una pequeña cantidad de ruido. Al poner equipos como radio AM, ordenador o videograbadora cerca de este producto, tales equipos pueden sufrir interferencias. Si esto ocurre, ponga el equipo afectado lo más distante posible de este producto.

Sonido de accionamiento de la pantalla de plasma

La pantalla de la visualización de plasma se compone de píxeles extremadamente finos y estos píxeles emiten luz de acuerdo con las señales de vídeo recibidas. Este principio puede hacerle oír un sonido de zumbido o zumbido del circuito eléctrico de la pantalla de plasma.

No fije ítems como etiquetas y cintas al producto

- Esto puede causar la decoloración o arañazo de la caja.

Cuando no utilice el producto durante un largo período de tiempo

- Si no utiliza el producto durante un largo período de tiempo, puede que las funciones del producto se afecten adversamente. Encienda y opere el producto ocasionalmente.

Condensación

- La condensación puede formarse en la superficie o dentro del producto cuando se traslada el producto rápidamente de un lugar frío a un lugar caliente, o inmediatamente después que se encienda un calentador en una mañana de invierno, por ejemplo. Si hay condensación, no encienda el producto. Espere hasta que la condensación desaparezca. Utilizar el producto con condensación puede causar un fallo de funcionamiento.

Limpieza de la superficie de la pantalla y de la superficie lustrosa de la caja frontal

- Al limpiar la superficie de la pantalla o la superficie lustrosa de la caja frontal, límpiela suavemente con un paño blando y seco, con el paño de limpieza suministrado, u otros paños similares (ej., algodón y franela). Si se utiliza un paño duro o polvoriento, o si se frota la pantalla con mucha fuerza, la superficie de la pantalla puede arañarse.
- Si se limpia la superficie de la pantalla con un paño mojado, las gotas de agua en la superficie pueden entrar en el producto, lo que podría causar un fallo de funcionamiento.

Limpieza de la caja

- Al limpiar la caja de este producto, límpiela suavemente con un paño blanco limpio (ej., algodón y flanela). Si se utiliza un paño duro o polvoriento, o si se frota la caja con mucha fuerza, la superficie de la caja puede arañarse.
- La caja de este producto está compuesta en su mayor parte de plástico. No utilice sustancias químicas como benzina o diluyentes para limpiar la caja. La utilización de estas sustancias químicas puede causar el deterioro de la calidad o extracción del revestimiento.
- No exponga el producto a gases o fluidos volátiles como pesticida. No deje el producto quedarse en contacto con productos de caucho o vinilo durante un período de tiempo prolongado. El efecto del plastificante en el plástico puede causar el deterioro de la calidad o extracción del revestimiento.
- Si se limpia la superficie de la caja con un paño mojado, las gotas de agua en la superficie pueden entrar en el producto, lo que podría causar un fallo de funcionamiento.

Asideros en la parte trasera de la pantalla de plasma

- No retire los asideros de la parte trasera de la pantalla de plasma.
- Al trasladar la pantalla de plasma, pida ayuda a otra persona y utilice los asideros instalados en la parte trasera de la pantalla de plasma. No traslade la pantalla de plasma agarrando sólo un asidero. Utilice los asideros como se muestra.
- No utilice los asideros para colgar el producto cuando lo instale. No utilice los asideros con el propósito de evitar que se caiga el producto.



PRECAUCIÓN

Imagen remanente del panel

- La visualización de las mismas imágenes, imágenes fijas por ejemplo, durante un largo periodo de tiempo puede causar el efecto de imagen remanente. Esto puede ocurrir en los dos casos siguientes.

1 Imagen remanente debida a carga eléctrica remanente

Cuando hay patrones de imagen en la pantalla con una luminancia de pico muy alto que duran más de 1 minuto, puede que se produzca imagen remanente debido a la carga eléctrica remanente. Las imágenes remanentes que quedan en la pantalla desaparecerán cuando se visualicen imágenes en movimiento. El tiempo que tardan en desaparecer las imágenes remanentes depende de la luminancia de las imágenes fijas y del tiempo que éstas han sido visualizadas.

2 Imagen remanente (imagen retenida) debido al quemado

No visualice continuamente la misma imagen en la pantalla de plasma durante períodos prolongados de tiempo.

Esto incluye las imágenes que se visualizan en los modos de pantalla siguientes: función de pantallas múltiples, tamaño de pantalla 4:3, tamaño de pantalla COMPLETA 14:9, tamaño de pantalla CINE 14:9, tamaño de pantalla de punto a punto (excepto cuando el tamaño de entrada es de 1920x1080), y las imágenes con franjas negras en las partes superior/inferior o derecha/izquierda.

Si se visualiza la misma imagen continuamente durante varias horas, o por periodos de tiempo más cortos durante varios días, en la pantalla quedará una imagen remanente permanente debido a que se han quemado materiales fluorescentes. Es posible que tales imágenes se noten menos si luego se visualizan imágenes en movimiento, pero no desaparecerán continuamente.

- La función de ahorro de energía podrá establecerse para ayudar a impedir los daños debidos al quemado de la pantalla (consulte la página 29).

Retención de imagen

Cuando se deja inmóvil una imagen estática varias horas en una pantalla, es posible que quede una imagen remanente, lo que suele denominarse retención de imagen. Esta retención de imagen puede ser temporal o permanente. Aunque pueda deberse a varias causas, la retención de imagen puede ocurrir con todas las tecnologías de pantallas, incluyendo las de plasma y de LCD. En las pantallas de plasma de la actualidad, la retención de imagen permanente no es motivo de preocupación. La mayor parte de retención de imagen puede mejorarse simplemente mirando vídeo en movimiento.

La retención de imagen, conocida también como quemadura, puede ocurrir en todos los sistemas de pantallas basadas en fósforos (incluyendo los sistemas de televisión de tubo TRC de visión directa y de proyección, así como en los sistemas de pantalla de plasma). Deberá evitarse la visualización de las mismas imágenes fijas durante períodos prolongados porque pueden ocasionar retención de imagen permanente o quemadura. Las indicaciones recomendadas son las siguientes:

No visualice imágenes estáticas durante períodos prolongados de tiempo (como puedan ser fotografías, imágenes fijas de un ordenador o consola de videojuegos, ni imágenes fijas tales como las de la hora o la del indicador de la fecha o del número de canal).

No visualice imágenes con la relación de aspecto de 4:3 (con franjas negras o grises en los lados izquierdo y derecho de la imagen) ni imágenes con la relación de aspecto de buzón (barras negras encima y debajo de la imagen) durante períodos prolongados de tiempo, no emplee repetidamente estos modos de visión dentro de un período corto de tiempo. Este sistema de pantalla de plasma está equipado con varios modos de visión de pantalla panorámica; emplee uno de estos modos de pantalla para que la imagen llene por completo la pantalla.

La visualización de imágenes oscuras después de haber visualizado imágenes fijas durante cierto tiempo puede ocasionar la retención de imagen. En la mayor parte de casos, la retención de imagen puede corregirse visualizando imágenes claras durante un período de tiempo equivalente.

Si visualiza imágenes fijas en el sistema de la pantalla de plasma durante períodos prolongados de tiempo, la retención de imagen puede llegar a ser irreparable.

La electricidad se utiliza para realizar muchas funciones útiles, pero ésta también puede causar lesiones a las personas y daños en las propiedades si no se manipula correctamente. Este producto ha sido diseñado y fabricado dando la máxima prioridad a la seguridad. Sin embargo, si no se utiliza de la forma correcta puede producir descargas eléctricas y/o un incendio. Para impedir posibles peligros, siga las instrucciones siguientes cuando instale, utilice y limpie el producto. Para garantizar su seguridad y prolongar la duración de su producto, lea cuidadosamente las instrucciones siguientes antes de utilizarlo.

1. Lea las instrucciones—Antes de utilizar el producto deberán leerse y entenderse todas las instrucciones de funcionamiento.
2. Guarde este manual en un lugar seguro—Estas instrucciones de seguridad y operación deben guardarse en un lugar seguro para futuras consultas.
3. Observe las advertencias—Todas las advertencias del producto y de las instrucciones deberán seguirse al pie de la letra.
4. Siga las instrucciones—Deberán seguirse todas las instrucciones de operación.
5. Limpieza—Desenchufe el cable de alimentación de la toma de CA antes de limpiar el producto. Para limpiar el producto, utilice el paño de limpieza suministrado u otros paños blandos (ej., algodón, flanela). No utilice productos de limpieza líquidos ni en aerosol.
6. Agua y humedad—No utilice el producto cerca del agua como, por ejemplo, una bañera, palangana, fregadero de cocina, lavadora, piscina y sótano húmedo.
7. Soporte—No coloque el producto en un carrito, soporte, trípode o mesa inestable. La colocación del producto en una base inestable puede ser la causa de que el producto se caiga, lo que podría causar lesiones graves a personas y también daños al producto. Utilice solamente un carrito, soporte, trípode, ménsula o mesa recomendado por el fabricante o vendido junto con el producto. Cuando coloque el producto en una pared, asegúrese de seguir las instrucciones del fabricante. Utilice solamente el hardware de montaje recomendado por el fabricante.
8. Cuando traslade el producto colocado en un carrito, éste deberá moverse con el máximo cuidado. Las paradas repentinas, la fuerza excesiva y la superficie del suelo irregular pueden ser la causa de que el producto caiga del carrito.



9. Ventilación—Los orificios de ventilación y otras aberturas de la caja han sido diseñados para ventilar el producto. No cubra ni bloquee estos orificios de ventilación y aberturas porque la falta de ventilación puede causar recalentamiento y/o reducir la duración del producto. No coloque el producto en una cama, sofá, alfombra u otra superficie similar porque las aberturas de ventilación podrán quedar bloqueadas. Este producto no ha sido diseñado para ser empotrado; no lo coloque en un lugar cerrado como, por ejemplo, un mueble librería o estantería a menos que disponga de la ventilación apropiada o se sigan las instrucciones del fabricante.
10. Fuente de alimentación—Este producto deberá funcionar con la fuente de alimentación especificada en la etiqueta de especificaciones. Si no está seguro acerca del tipo de alimentación utilizado en su hogar, consulte su concesionario o a la compañía abastecedora de electricidad de su localidad.
11. Protección del cable de alimentación—Los cables de alimentación deberán instalarse correctamente para evitar que los pisen las personas o que puedan colocarse objetos pesados encima de ellos. Compruebe los cables en las clavijas de alimentación y donde se enchufan al producto.

12. La pantalla de plasma utilizada en este producto está hecha de cristal. Por lo tanto, podrá romperse cuando el producto se caiga o reciba un impacto fuerte. En el caso de que se rompa la pantalla de plasma, tenga cuidado para no herirse con las piezas de cristal rotas.
13. Sobrecarga—No sobrecargue las tomas de CA ni los cables de prolongación. La sobrecarga puede causar un incendio o una descarga eléctrica.
14. Entrada de objetos y líquidos—No inserte nunca un objeto en el producto a través de los orificios de ventilación o aberturas. Por el interior del producto circula alta tensión, y la inserción de un objeto puede causar una descarga eléctrica y/o un cortocircuito en las piezas internas. Por la misma razón, no derrame agua o líquidos en el interior del producto.
15. Trabajo de servicio—No intente realizar usted mismo ningún trabajo de servicio en el producto. Quitar las cubiertas puede exponerle a una tensión alta y a otras condiciones peligrosas. Para realizar trabajos de servicio, póngase en contacto con personal de servicio cualificado.
16. Reparaciones—Si se produce cualquiera de las condiciones indicadas a continuación, desenchufe el cable de alimentación de la toma de CA y solicite al personal de servicio cualificado que lleve a cabo las reparaciones.
 - a. Cuando el cable de alimentación o su clavija estén estropeados.
 - b. Cuando se derrame líquidos en el producto o hayan caído objetos en su interior.
 - c. Cuando el producto haya estado expuesto a la lluvia o al agua.
 - d. Cuando el producto se haya caído o estropeado.
 - e. Cuando el producto muestre una condición anormal. Cualquier anomalía que se note en el producto indicará que éste necesita ser reparado.
17. Piezas de reemplazo—En el caso de que el producto necesite piezas de reemplazo, asegúrese de que el personal de servicio utilice las piezas especificadas por el fabricante, o aquellas que tengan las mismas características y rendimiento que las piezas originales. La utilización de piezas no autorizadas puede causar un incendio, descarga eléctrica y/o otros peligros.
18. Comprobaciones de seguridad—Al finalizar el trabajo de servicio o el trabajo de reparación, pida al técnico de servicio que realice comprobaciones de seguridad para asegurar que el producto se encuentre en condiciones de funcionamiento apropiadas.
19. Montaje en pared o techo—Cuando monte el producto en una pared o en el techo, asegúrese de instalarlo según el método recomendado por el fabricante.
20. Fuentes de calor—Mantenga el producto alejado de las fuentes de calor tales como radiadores, estufas y otros productos que generen calor (incluyendo amplificadores).
21. Desenchufe el cable de alimentación de la toma de CA antes de instalar los altavoces.
22. No exponga nunca la pantalla de plasma a impactos fuertes como, por ejemplo, chocándola contra otros objetos. La pantalla puede romperse, lo que podría causar un incendio o lesiones personales.
23. No exponga la pantalla de plasma a la luz directa del sol por un largo período de tiempo. Las características ópticas del panel de protección frontal cambiará, lo que causará la decoloración o alabeo del panel.
24. La pantalla de plasma pesa aproximadamente 39,8 kg. Puesto que la pantalla tiene poca profundidad y es inestable, desembálela, téngala en posición horizontal y instálela entre dos personas como mínimo y emplee los asideros.

Instalación utilizando el soporte o la ménsula de instalación PIONEER opcionales

- Asegúrese de solicitar a un especialista en instalaciones o al distribuidor a quien compró esta unidad que realice la instalación o el montaje de esta unidad o de la ménsula de instalación.
- Cuando realice la instalación, asegúrese de utilizar los pernos suministrados con el soporte o con la ménsula de instalación.
- En cuanto a los detalles relacionados con la instalación, consulte el manual de instrucciones suministrado con el soporte o ménsula de instalación.

Instalación utilizando accesorios que no sean el soporte ni la ménsula de instalación PIONEER (vendidos por separado)

- Siempre que sea posible, realice la instalación utilizando piezas y accesorios fabricados por PIONEER. PIONEER no se hará responsable de los accidentes o daños causados por la utilización de piezas y accesorios fabricados por otras compañías.
- Para realizar una instalación personalizada, consulte al distribuidor a quien adquirió esta unidad o a un instalador cualificado.

Instalación de la unidad en una pared

Esta unidad está diseñada con orificios para pernos para la instalación en una pared, etc. Los orificios de instalación proporcionados se muestran en la ilustración adjunta.

- Asegúrese de colocar pernos en 4 o más lugares de las partes superior, inferior, izquierda y derecha de la línea central.
- Utilice pernos que sean lo suficientemente largos como para poder insertarse de 12 mm a 18 mm en la unidad principal desde la superficie de montaje. Consulte el diagrama de la vista lateral de la ilustración incluida.
- Puesto que esta unidad está hecha con cristal, asegúrese de instalarla en una superficie que sea plana y nivelada.



PRECAUCIÓN

Para evitar problemas en el funcionamiento, el sobrecalentamiento de esta unidad, y posibles peligros de incendio, asegúrese de que las rejillas de ventilación de la unidad principal no queden obstruidas al realizar la instalación. Además, puesto que sale aire caliente por las rejillas de ventilación, tenga cuidado para que no se deteriore ni se forme acumulación de polvo en la pared de la parte posterior.



PRECAUCIÓN

Asegúrese de emplear un perno M8 (paso = 1,25 mm). (Sólo puede utilizarse un perno de este tamaño.)

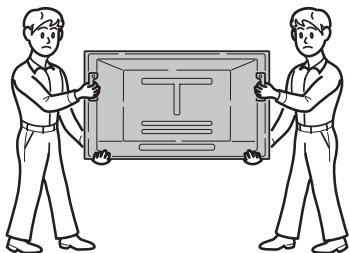


PRECAUCIÓN

El diseño de esta unidad es muy plano. Por lo tanto, tome las medidas de seguridad necesarias para evitar que se caiga en caso de producirse vibraciones o sacudidas.

⚠ PRECAUCIÓN

- Los asideros no deberán ser extraídos ni montados por nadie que no sea un técnico profesional en instalaciones o el personal de servicio técnico.
- Cuando desplace de lugar la pantalla, siempre deberá ser transportada por dos personas, tomándola de los asideros traseros de la forma mostrada.



⊘ ¡NO!

- No intente nunca desplazar la pantalla de plasma sosteniéndola sólo por uno de los asideros.
- Cuando instale la pantalla de plasma, no emplee los asideros como medio para colgar la pantalla; no los emplee tampoco como dispositivos para evitar la caída de la pantalla (vea la ilustración).

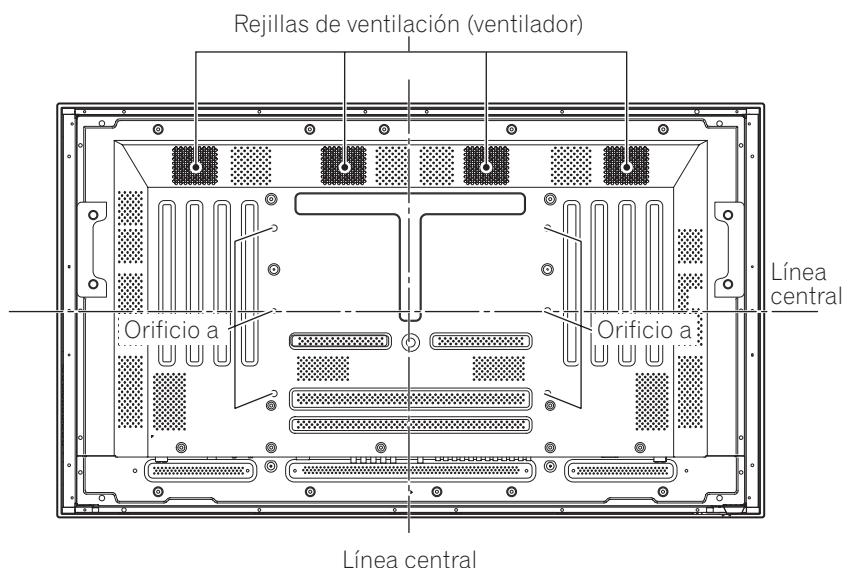
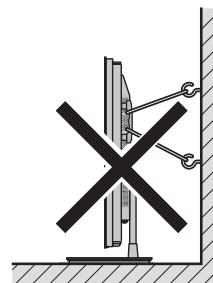


Diagrama de la vista posterior

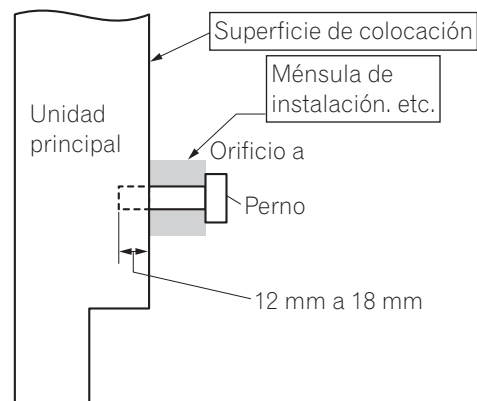


Diagrama de la vista lateral

• **Para conocer más detalles, consulte al distribuidor del que adquirió esta unidad.**

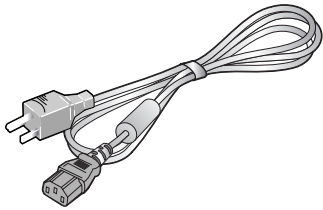
1 Soporte de sobremesa (PDK-TS23):

Soporte para la pantalla PRO-FHD1.

2 Unidad de instalación en pared:

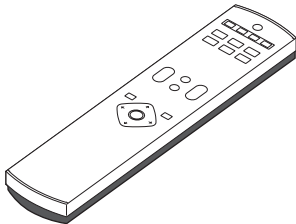
Ménsula de instalación en pared diseñada para instalar con seguridad la unidad en una pared.

1 Cable de alimentación (2 m)

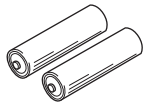


Sólo se suministra el cable de alimentación que es apropiado para su país o región.

2 Mando a distancia



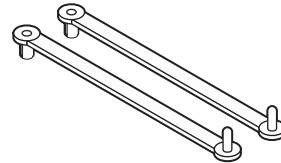
3 Pilas AA (R6) (x 2)



4 Paño de limpieza



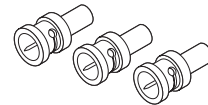
5 Abrazaderas rápidas (x 2)



6 Bandas de cuentas (x 2)



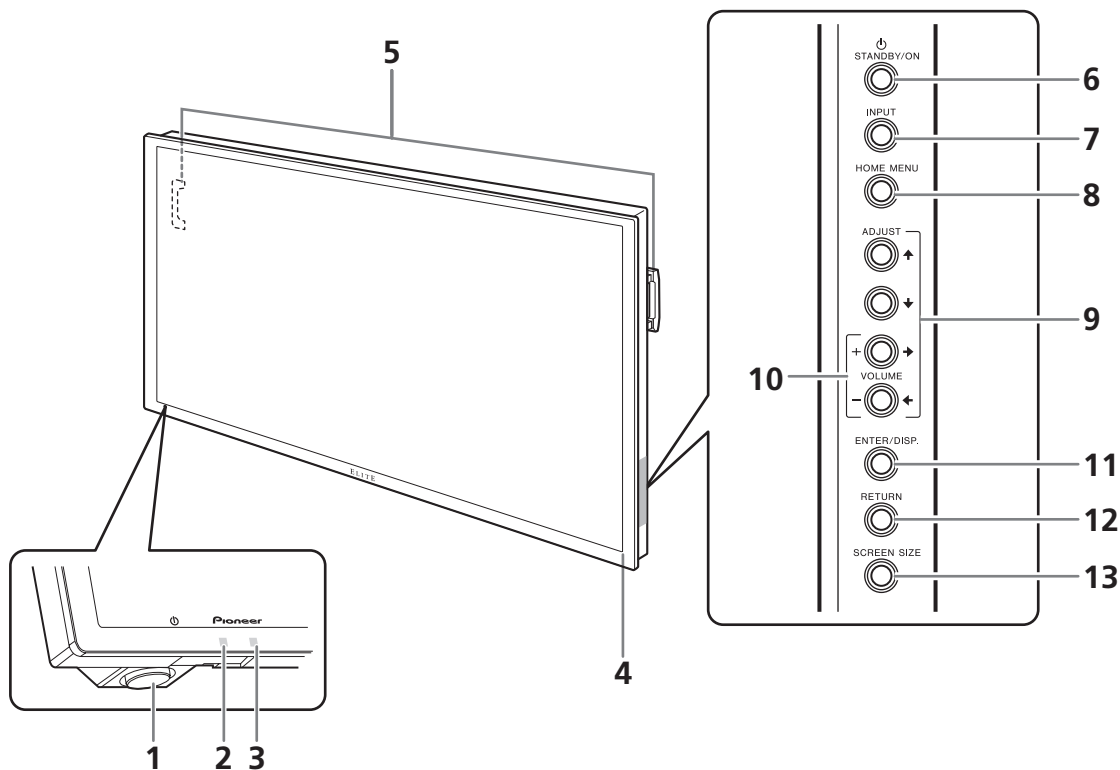
7 Adaptador de conversión de BNC/clavija (x 3)



- Este manual de instrucciones
- Tarjeta de garantía

Unidad principal

Panel de operación de la unidad principal



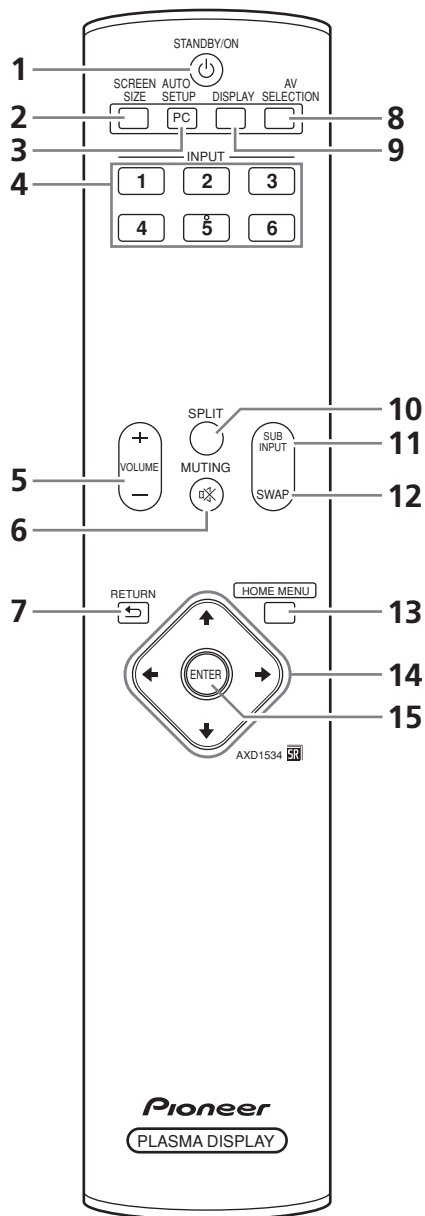
Unidad principal

- 1 Interruptor **MAIN POWER** (alimentación principal)
- 2 Indicador **ON** (encendido)
- 3 Indicador **STANDBY** (modo de espera)
- 4 Sensor de control remoto
- 5 Asideros

Panel de operación de la unidad principal

- 6 Botón **STANDBY/ON** (espera/encendido)
- 7 Botón **INPUT** (entrada)
- 8 Botón **HOME MENU** (menú inicial)
- 9 Botones de ajuste **ADJUST** (↑/↓/←/→)
- 10 Botones **VOLUME +/-** (volumen)
- 11 Botón **ENTER/DISP.** (introducción/visualización)
- 12 Botón **RETURN** (retorno)
- 13 Botón **SCREEN SIZE** (tamaño de pantalla)

Mando a distancia

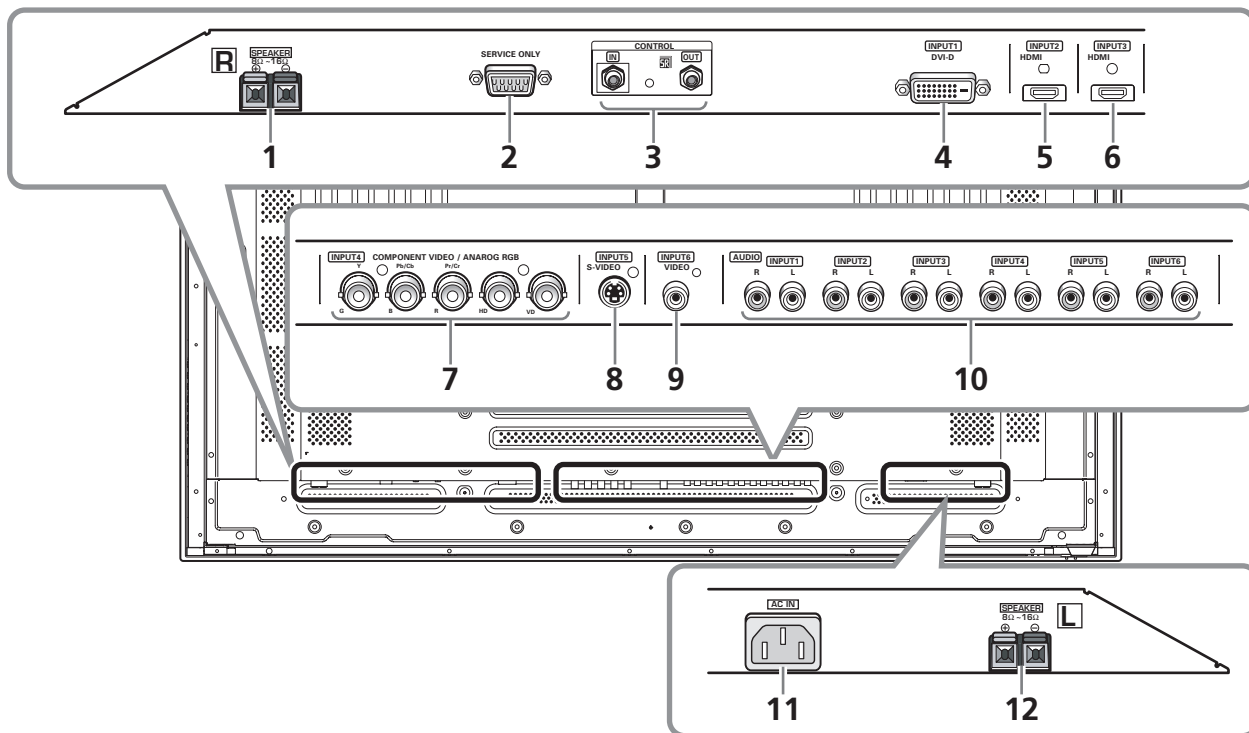


Cuando manipule el mando a distancia

- No deje caer el mando a distancia ni lo exponga a la humedad.
- No utilice el mando a distancia en lugares expuestos a la luz solar directa, a la radiación de calor de una calefacción, ni en lugares con humedad excesiva.
- Cuando las pilas del mando a distancia empiecen a gastarse, la distancia de control se reducirá poco a poco. Cuando así le ocurra, cambie todas las pilas por otras nuevas lo antes posible.

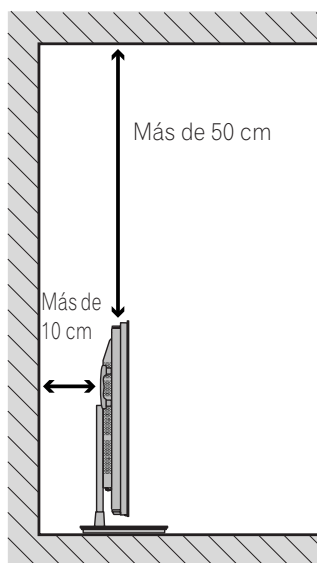
- 1 Botón **STANDBY/ON** (espera/encendido)
Púlselo para poner la unidad en funcionamiento o en el estado de espera (página 21).
- 2 Botón **SCREEN SIZE** (tamaño de pantalla)
Púlselo para seleccionar el tamaño de la pantalla (página 23).
- 3 Botón **PC AUTO SET UP** (configuración automática de PC)
Cuando se emplea la entrada de señal de ordenador, ajusta automáticamente la "Posición", el "Reloj" y la "Fase" a los valores óptimos (página 30).
- 4 Botones **INPUT** (entrada) **1 a 6**
Púlselos para seleccionar la entrada (página 31).
- 5 Botones **VOLUME (+/-)** (volumen)
Se emplean para ajustar el volumen (página 21).
- 6 Botón **MUTING**
Púlselo para silenciar el volumen (página 21).
- 7 Botón **RETURN** (retorno)
Repone la pantalla del menú anterior (páginas 24 a 27).
- 8 Botón **AV SELECTION** (selección de audio-video)
Se emplean para seleccionar la función de audio-video (página 22).
- 9 Botón **DISPLAY** (visualización)
Púlselo para ver la entrada actual de la unidad y el modo de espera (página 22).
- 10 Botón **SPLIT** (división)
Púlselo para cambiar a la visualización de pantallas múltiples (página 22).
- 11 Botón **SUB INPUT** (entrada secundaria)
Durante la visualización de pantallas múltiples, emplee este botón para cambiar las entradas de las pantallas secundarias (página 22).
- 12 Botón **SWAP** (intercambio)
Durante la visualización de pantallas múltiples, emplee este botón para cambiar entre la pantalla principal y la pantalla secundaria (página 22).
- 13 Botón **HOME MENU** (menú inicial)
Púlselo para abrir y cerrar el menú en pantalla (páginas 24 a 37).
- 14 Botones de ajuste **ADJUST** (▲/▼/◀/▶)
Se emplean para navegar por las pantallas de menú y para realizar diversos ajustes de la unidad (páginas 24 a 37).
- 15 Botón de introducción **ENTER**
Púlselo para realizar o introducir diversos ajustes en la unidad (páginas 24 a 37).

Panel de conexiones



- 1** Terminales **SPEAKER (R)** (altavoz derecho)
Sirven para conectar un altavoz derecho externo.
Conecte un altavoz con tenga una impedancia de 8 Ω a 16 Ω.
- 2** Terminal para ajuste de servicio (se emplea para la configuración en fábrica)
No conecte nunca ningún componente a estos conectores sin haber consultado primero a un técnico en instalaciones de Pioneer.
Estos conectores se emplean para realizar los ajustes de configuración de la pantalla de plasma.
- 3** Terminales **CONTROL IN/OUT** (entrada/salida de control)
- 4** Terminal **INPUT1** (entrada 1) (DVI-D)
- 5** Terminal **INPUT2** (entrada 2) (HDMI)
- 6** Terminal **INPUT3** (entrada 3) (HDMI)
- 7** Terminales **INPUT4** (entrada 4)
(COMPONENT VIDEO: Y, Pb/Cb, Pr/Cr, ANALOG RGB: G, B, R, HD, VD)
- 8** Terminal **INPUT5** (entrada 5) (S-VIDEO)
- 9** Terminal **INPUT6** (entrada 6) (VIDEO)
- 10** Terminales **AUDIO INPUT** (entrada de audio)
Conectores de entrada de audio correspondientes a los conectores de entrada de vídeo INPUT1 a INPUT6.
- 11** **AC IN** (entrada de CA)
Se emplea para conectar el cable de alimentación suministrado a una toma de corriente de CA.
- 12** Terminales **SPEAKER (L)** (altavoz izquierdo)
Sirven para conectar un altavoz izquierdo externo.
Conecte un altavoz con tenga una impedancia de 8 Ω a 16 Ω.

Instalación de la pantalla de plasma



Ubicación

- Evite la luz directa del sol. Mantenga la ventilación adecuada.
- Como la pantalla de plasma es pesada, asegúrese de pedir la ayuda a otra persona al trasladar la pantalla.

NOTA

- Permita un espacio suficiente alrededor de las partes superior y trasera al instalar, para asegurar la ventilación alrededor de la parte trasera.

Utilización del soporte PIONEER opcional

- Para los detalles de la instalación, consulte el manual de instrucciones suministrado con el soporte.

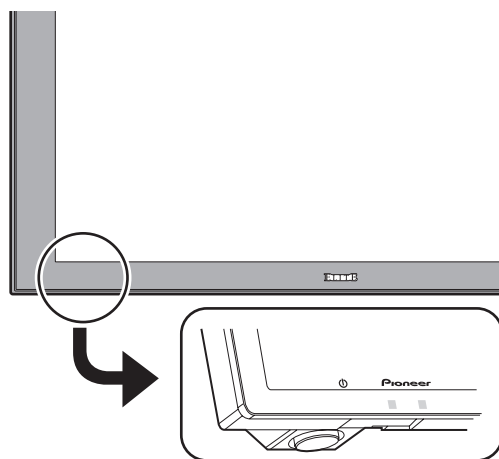
PRECAUCIÓN

Entorno de funcionamiento

Temperatura y humedad del entorno de funcionamiento
+0 °C a +40 °C; menos del 85 % de humedad relativa
(rejillas de refrigeración no obstruidas)

No instale este aparato en un lugar mal ventilado, ni en lugares expuestos a alta humedad o a la luz directa del sol (o de otra luz artificial potente).

PRECAUCIÓN



La sección inferior izquierda de la pantalla mostrada en la ilustración de arriba, es la posición del interruptor MAIN POWER y de ciertas partes necesarias para la visualización, y el contorno tiene un saliente elevado.

Como resultado, cuando se transporte e instale la unidad, deberán tomarse las precauciones adecuadas para que no se apliquen golpes ni fuerza excesiva a esta área, porque podrían dañarse sus componentes.

Prevención de queda de la pantalla de plasma

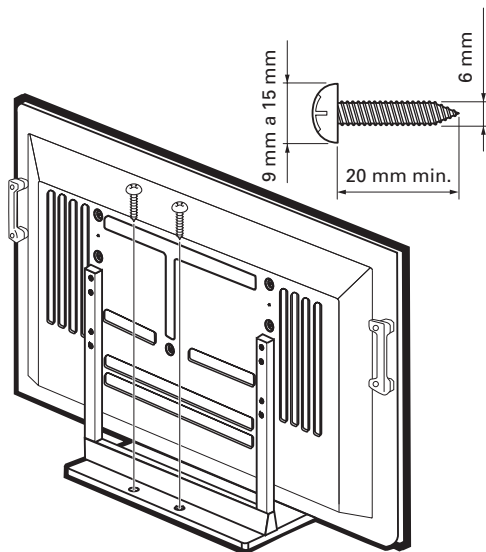
Después de instalar el soporte, asegúrese de tener especial cuidado para asegurar que la pantalla de plasma no caiga.

Estabilización en una mesa o piso

Estabilice la pantalla de plasma como se muestra en el diagrama utilizando tornillos que están disponibles en el comercio.

NOTA

Para estabilizar la pantalla de plasma en una mesa o en el piso, utilice tornillos con un diámetro nominal de 6 mm y con por lo menos 20 mm de largo.



PRECAUCIÓN

Siempre se debe utilizar una mesa o un área del piso con resistencia adecuada para soportar la pantalla de plasma. Dejar de hacer esto podría resultar en lesiones personales y daños físicos.

Al instalar la pantalla de plasma, tome las medidas de seguridad necesarias para evitar que la pantalla caiga o se vuelque en caso de emergencias, como en terremotos o accidentes.

Si no toma estas precauciones, la pantalla de plasma podría caer y causar lesiones.

Los tornillos, ganchos, cadenas, y otros accesorios que se utilice para fijar la pantalla de plasma para prevenir que se vuelque varían de acuerdo con la composición y espesor de la superficie donde se instala la pantalla.

Seleccione los tornillos, ganchos, cadenas y otros accesorios adecuados después de inspeccionar la superficie cuidadosamente para determinar su espesor y composición, y después de consultar un instalador profesional si fuese necesario.

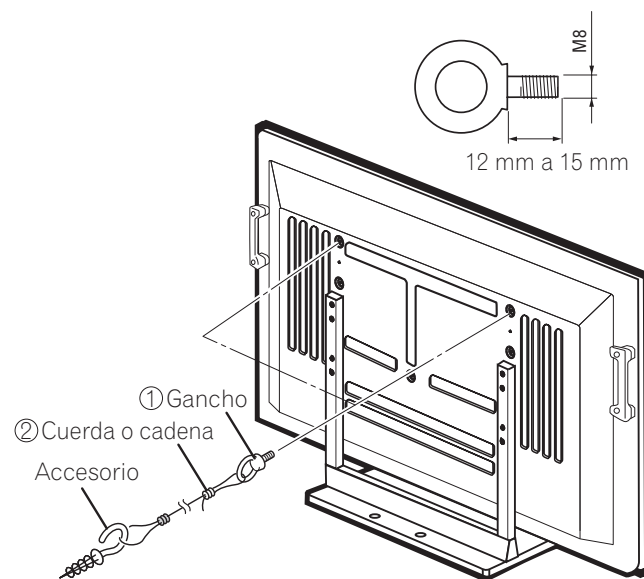
Utilización de una pared para la estabilización

1. **Instale los pernos (ganchos) de prevención de queda en la pantalla de plasma.**
2. **Utilice cuerdas o cadenas fuertes para estabilizarla apropiada y firmemente en una pared, pilar u otro elemento robusto.**

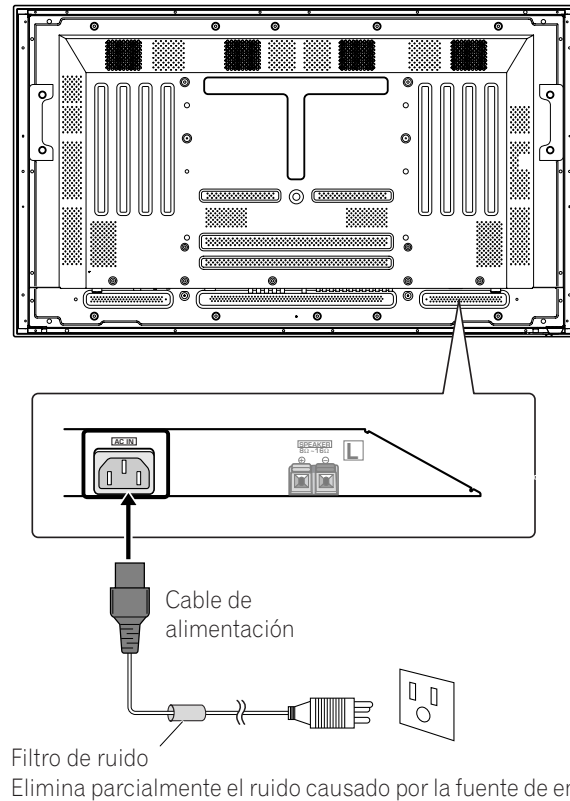
- Realice este trabajo de la misma manera en los lados izquierdo y derecho.

NOTA

Utilice ganchos, cuerdas, cadenas y accesorios que se encuentran disponibles en el comercio. Gancho recomendado: Diámetro nominal de 8 mm y largo de 12 mm a 15 mm



Conexión de cable de alimentación



⚠ PRECAUCIÓN

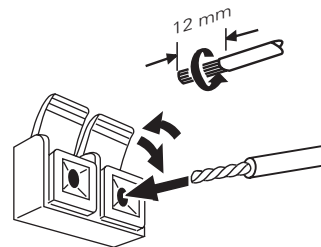
- Utilice solamente el cable de alimentación suministrado.
- No utilice un voltaje de suministro diferente del voltaje indicado, ya que esto puede causar un incendio o choque eléctrico.
- Para la pantalla de plasma, se utiliza un cable de alimentación de tres núcleos con un terminal de puesta a tierra para una protección eficaz. Conecte siempre el cable de alimentación a una toma de corriente para tres patillas y asegúrese de que el cable esté puesto a tierra correctamente.

✎ NOTA

- Apague siempre la alimentación de la pantalla de plasma antes de enchufar o desenchufar los cables de alimentación.
- Cuando no se proponga utilizar la unidad durante períodos prolongados, desenchufe el cable de alimentación de la toma de corriente.

Conexión de los altavoces

Esta unidad está provista de terminales de salida de altavoz. Consulte la ilustración incluida cuando conecte sus propios altavoces.



Retuerza juntos los conductores expuestos.

Presione la lengüeta para abrirla e inserte el cable. Luego, cierre firmemente la lengüeta para fijar bien el cable.

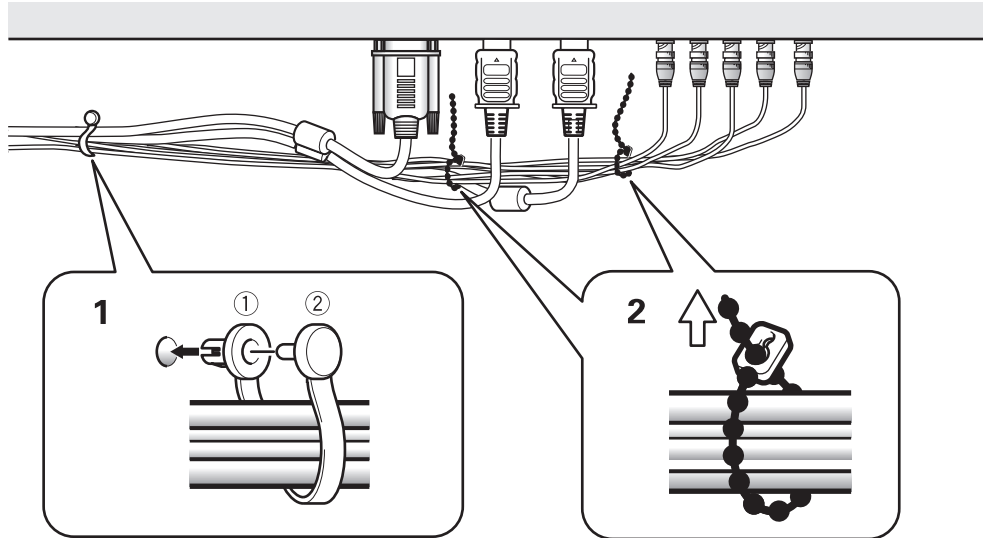
✎ NOTA

- Cuando conecte los altavoces, asegúrese de conectar los terminales positivos (+) y negativos (-) del altavoz a los mismos terminales de esta unidad. Si no conecta correctamente las polaridades (+) y (-), el sonido no se producirá correctamente.
- Esta unidad es compatible con altavoces de 8 Ω a 16 Ω de impedancia.

Cómo instalar los cables

Las abrazaderas rápidas y las bandas de cuentas se incluyen con la pantalla para sujetar juntos los cables. Una vez conectados los componentes, siga los pasos siguientes para instalar los cables.

* Según se mira desde la parte posterior de la pantalla.



1. Organice juntos los cables utilizando las abrazaderas rápidas suministradas.

Inserte ① en un orificio apropiado de la parte posterior de la unidad, y luego introduzca ② en la parte posterior de ① para fijar la abrazadera.

Las abrazaderas rápidas han sido diseñadas de forma que resulta difícil abrirlas una vez instaladas. Colóquelas por lo tanto con cuidado.

2. Una los cables separados y asegúrelos con las bandas de cuentas suministradas.

No permita que se produzca tensión excesiva en los extremos de los cables.

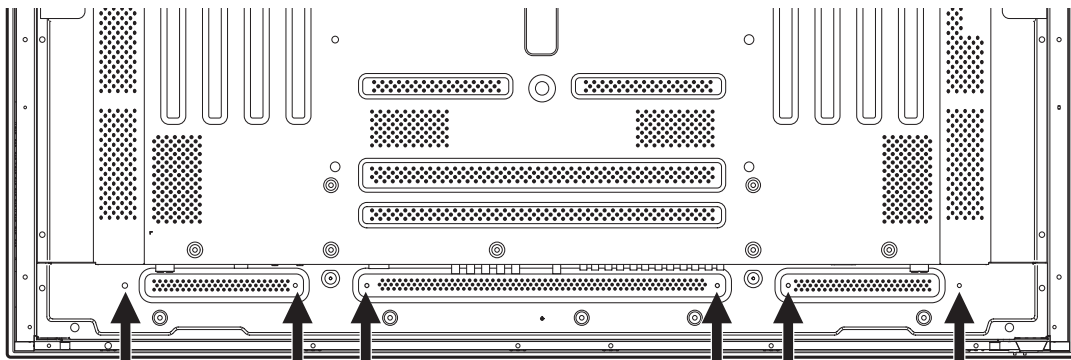
NOTA

- Los cables podrán instalarse a la derecha o a la izquierda.

Para colocar las abrazaderas rápidas en la pantalla

Dependiendo de la situación, conecte las abrazaderas rápidas utilizando los 6 orificios marcados con "o" en la ilustración de abajo.

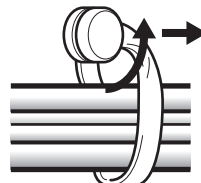
* Según se mira desde la parte posterior de la pantalla.



Para extraer las abrazaderas rápidas

Utilizando alicates, gire las abrazaderas 90° y tire de ellas hacia fuera.

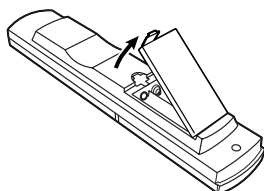
En algunos casos, las abrazaderas talvez se deterioren con el paso del tiempo y se estropeen al sacarlas.



Preparación del mando a distancia

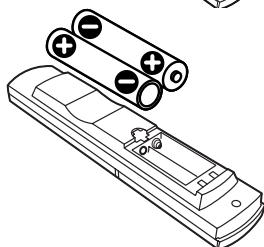
Instalación de las pilas

- 1 Abra la cubierta del compartimiento de las pilas.

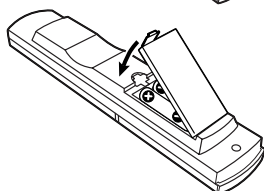


- 2 Instale las dos pilas de tamaño AA mientras inserta sus extremos de polaridad negativa (-) primero.

- Ponga las pilas con sus terminales correspondientes alineados con los indicadores (+) y (-) en el compartimiento de las pilas.



- 3 Cierre la cubierta del compartimiento de las pilas.



Precauciones relacionadas con las pilas

La utilización incorrecta de las pilas puede causar fugas del electrolito o explosiones. Asegúrese de seguir las instrucciones a continuación.

- Cuando reemplace las pilas, utilice pilas de manganeso o alcalinas.
- Ponga las pilas con sus terminales correspondientes alineados con los indicadores (+) y (-).
- No mezcle pilas de tipos diferentes. Las pilas de tipos diferentes tienen también características diferentes.
- No mezcle pilas usadas con nuevas. Mezclar pilas usadas con nuevas puede reducir la duración de las pilas nuevas o causar fugas del electrolito en las pilas viejas.
- Retire las pilas tan pronto como se agoten. La fuga de electrolito de las pilas puede causar erupciones en la piel. Si encuentra electrolito derramado, limpie completamente con un paño.
- Las pilas suministradas con este producto pueden durar menos de lo esperado debido a las condiciones de almacenamiento.
- Si no va a utilizar el mando a distancia durante un largo período de tiempo, retire las pilas del mando a distancia.



ADVERTENCIA

- **No emplee ni guarde las pilas bajo la luz directa del sol ni en ningún otro lugar demasiado caliente, como pueda ser dentro de un automóvil o cerca de una estufa. De lo contrario, podrían producirse fugas de las pilas, podrían sobrecalentarse, explotar o producir fuego. También se reduciría la vida de servicio o el rendimiento de las pilas.**

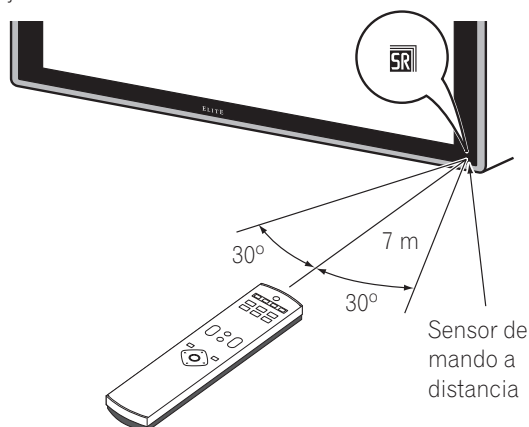


PRECAUCIÓN

- **CUANDO TIENE QUE DESEMBARAZARTE DE LAS BATERÍAS USADAS, POR FAVOR SE ADAPTE A LOS REGLAMENTOS GUBERNAMENTALES O A LAS DISPOSICIONES EN MATERIA AMBIENTAL EN VIGOR EN SU PAÍS O ÁREA.**

Rango de operación permisible del mando a distancia

Opere el mando a distancia apuntándolo al sensor de mando a distancia (SRI) ubicado en la derecha inferior del panel frontal de la pantalla de plasma. La distancia desde el sensor de mando a distancia debe estar dentro de 7 m, y el ángulo relativo al sensor debe estar dentro de 30 grados en la dirección derecha, izquierda, hacia arriba, o hacia abajo.

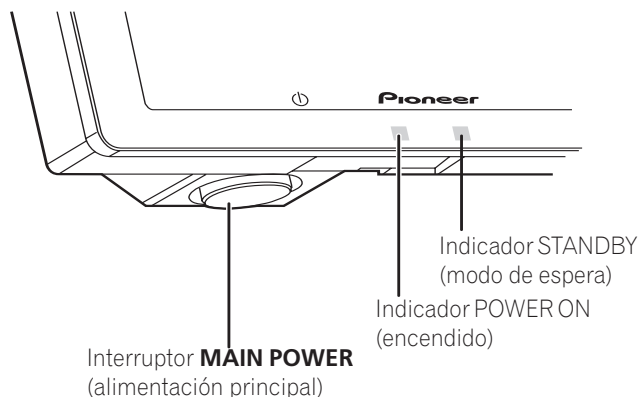


Precauciones relacionadas con el mando a distancia

- No exponga el mando a distancia a impactos. Además, no exponga el mando a distancia a líquidos, y no lo ponga en un área con alta humedad.
- No instale ni ponga el mando a distancia bajo la luz directa del sol. El calor puede deformar la unidad.
- Puede que el mando a distancia no funcione correctamente si el sensor del mando a distancia de la pantalla de plasma está bajo la luz directa del sol o bajo una iluminación intensa. En este caso, cambie el ángulo de la iluminación o de la pantalla de plasma, u opere el mando a distancia más cerca del sensor de mando a distancia.
- Cuando existe cualquier obstáculo entre el mando a distancia y el sensor de mando a distancia, puede que el mando a distancia no funcione.
- A medida que las pilas se agotan, el mando a distancia puede funcionar dentro de una distancia más corta desde el sensor de mando a distancia. Reemplace las pilas por un juego de pilas nuevas lo más rápido posible.
- La pantalla de plasma emite rayos infrarrojos muy débiles desde su pantalla. Si hay un equipo operado por mando a distancia de rayos infrarrojos, como una videograbadora, en las proximidades, puede que tal equipo no reciba los comandos de su mando a distancia correctamente o mismo no reciba ningún comando. Si esto ocurre, coloque el equipo en un lugar lo más distante posible de la pantalla de plasma.
- Dependiendo del lugar de instalación, el mando a distancia de esta unidad puede verse influenciado por los rayos infrarrojos descargados desde la pantalla de plasma, perturbando la recepción sus rayos o limitando su distancia de funcionamiento. La intensidad de los rayos infrarrojos descargados desde la pantalla cambiará según la imagen visualizada.

Indicadores de estado de la pantalla de plasma

La tabla siguiente muestra el estado de operación de la pantalla de plasma. Podrá comprobar el estado actual de la pantalla de plasma con los indicadores de la pantalla de plasma.



Estado del indicador		Indicador de la pantalla de plasma
POWER ON (encendido)	STANDBY (espera)	
●	●	Se ha desenchufado el cable de alimentación de la pantalla de plasma. O, el cable de alimentación de la pantalla de plasma se ha enchufado, pero el interruptor MAIN POWER de la pantalla de plasma está desconectado.
☀	●	La alimentación de la pantalla de plasma está conectada.
●	☀	La pantalla de plasma está en el modo de espera.
☀ Parpadeando	●	Con la función de gestión de energía (página 29) ajustada en "Encendido", no se detectó señal, por lo que la unidad se estableció en el modo de espera. La unidad volverá a encenderse con una de las condiciones siguientes: <ul style="list-style-type: none"> • Se ha pulsado INPUT de la unidad principal; • Se ha pulsado uno de INPUT 1 a INPUT 6 del mando a distancia; • Se ha vuelto a detectar una señal de entrada.
(Se enciende 1 segundo y luego se apaga 1 segundo repetidamente)	●	Es posible que se haya activado el circuito de protección de la unidad. Pulse el interruptor MAIN POWER para desconectar la alimentación de la unidad, y espere un minuto antes de volver a conectar la alimentación de la unidad.
●	☀ Parpadeando	
(El indicador encenderá 1 segundo y luego se apagará 1 segundo; después de varias repeticiones de este ciclo, el indicador se apagará durante 2,5 segundos, y luego se repetirá el ciclo.)	●	
☀ Parpadeando	●	(El indicador encenderá 1 segundo y luego se apagará 1 segundo; después de varias repeticiones de este ciclo, el indicador se apagará durante 2,5 segundos, y luego se repetirá el ciclo.)

Para los motivos que no se han mencionado arriba, consulte la *Solución de problemas* en la página 38.

Cambio del volumen y sonido

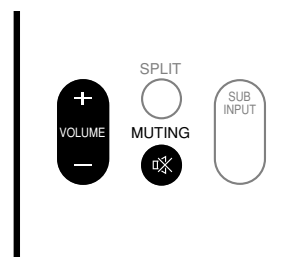
Utilización de **VOLUME +/-**

- Para aumentar el volumen, pulse **VOLUME +**.
- Para disminuir el volumen, pulse **VOLUME -**.

Utilización de **MUTING** del mando a distancia

MUTING silencia la salida actual del sonido.

- 1 Pulse **MUTING**.
 - "MUTING" aparece en la pantalla.
- 2 Pulse **MUTING** de nuevo para cancelar el modo de silenciamiento.
 - Pulsar **VOLUME +** también cancela el modo de silenciamiento.



Ajuste del volumen



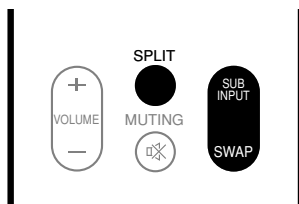
Silenciamiento



Empleo de las funciones de pantallas múltiples

División de la pantalla

Emplee el procedimiento siguiente para seleccionar el modo de pantalla dividida en 2.



- 1 Pulse el botón **SPLIT** del mando a distancia.

La pantalla principal se visualiza a la izquierda y la secundaria a la derecha.



Pantalla principal

Pantalla secundaria

- 2 Pulse **SUB INPUT** del mando a distancia para seleccionar la fuente de entrada de la pantalla secundaria.

Para intercambiar las entradas de la pantalla principal y de la pantalla secundaria.

Pulse **SWAP** del mando a distancia.

Los lados derecho e izquierdo de la pantalla se intercambiarán; lo que antes de veía en la pantalla principal se verá ahora en la pantalla secundaria, y viceversa.

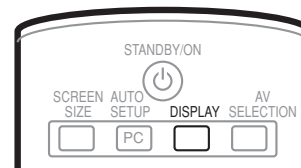


NOTA

- La función de pantallas múltiples no puede visualizar imágenes procedentes de la misma fuente de entrada al mismo tiempo. Si intenta hacerlo, aparecerá un mensaje de advertencia.
- La función de pantallas múltiples no puede mostrar simultáneamente imágenes procedentes de ENTRADA2 e ENTRADA3. Si intenta hacerlo, aparecerá un mensaje de advertencia.
- Cuando pulse **HOME MENU**, se repondrá el modo de pantalla sencilla y se visualizará el menú correspondiente.
- Cuando esté en el modo de pantalla dividida en 2, las imágenes visualizadas en la pantalla de la derecha pueden parecer tener menos nitidez, dependiendo de las imágenes.

- Si selecciona 1920*1080p@24 Hz para la pantalla principal en el modo de pantalla dividida en 2, es posible que las imágenes de vídeo no se visualizan correctamente debido a las posibilidades de la pantalla de plasma.
- Las señales PAL 60 no son adecuadas para la visualización de imágenes en la pantalla secundaria.
- Si se utiliza continuamente la función de pantallas múltiples durante varias horas, o durante períodos más cortos de tiempo durante varios días, puede quedar en la pantalla una imagen remanente permanente debido a que se han quemado materiales fluorescentes.

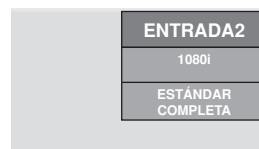
Confirmación del estado actual



- 1 Pulse **DISPLAY** del mando a distancia.

Se visualizará la fuente de entrada y los ajustes actualmente seleccionados.

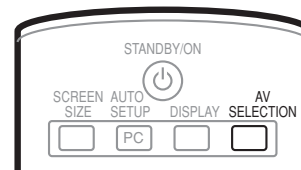
Ejemplo de visualización: En condiciones normales (con entrada de señal de vídeo)



Selección AV

Entre las cinco opciones de visión, dependiendo del entorno actual (por ejemplo, de la iluminación de la habitación), seleccione el tipo de entrada de imágenes procedentes del equipo externo.

Cada vez que pulse **AV SELECTION** del mando a distancia, cambiará alternadamente la función de audio-vídeo.



Para la fuente de AV

Ítem	Descripción
ESTÁNDAR	Para una imagen altamente definida en una sala con brillo normal Puede configurar el modo para cada fuente de entrada.
DINÁMICO	Para una imagen muy nítida con máximo contraste Este modo no permite el ajuste manual de la calidad de la imagen.
PELÍCULA	Para una película Puede configurar el modo para cada fuente de entrada.
JUEGO	Reduce el brillo de la imagen para una visualización más fácil Puede configurar el modo para cada fuente de entrada.

Ítem	Descripción
USUARIO	Permite al usuario personalizar las configuraciones que desee. Puede configurar el modo para cada fuente de entrada.
PURE	Refleja las señales de entrada con toda la fidelidad posible. Podrá seleccionar esta opción para comprobar, por ejemplo, los materiales de la imagen.

Para la fuente de PC

Ítem	Descripción
ESTÁNDAR	Para una imagen altamente definida en una sala con brillo normal
USUARIO	Permite al usuario personalizar las configuraciones que desee. Puede configurar el modo para cada fuente de entrada.

NOTA

- Si ha seleccionado "DINÁMICO", no es posible seleccionar "Contraste", "Brillo", "Color", "Matiz", "Nitidez", "Ajuste profesional" y "Reponer"; estos ítems de menú están oscurecidos.

Selección manual de un tamaño de pantalla

Pulse **SCREEN SIZE** para cambiar entre las opciones de tamaño de pantalla disponibles para el tipo de señales de vídeo recibidas actualmente.

- Cada vez que se pulsa **SCREEN SIZE**, la selección cambia.
- Los tamaños de pantalla disponibles difieren dependiendo de los tipos de señales de vídeo.

Modo AV

Ítem	Descripción
4:3	Para imágenes "estándar" 4:3. Una máscara lateral aparece en cada lado.
COMPLETA 14:9	Para imágenes "anamórficas" 14:9. Una máscara lateral fina aparece en cada lado.
CINE 14:9	Para imágenes tipo buzón 14:9. Una máscara lateral fina aparece en cada lado, y también puede ver barras en las partes superior e inferior con algunos programas.
PANORÁMICA	En este modo, la imagen se alarga progresivamente hacia cada lado de la pantalla.
COMPLETA	Visualización de pantalla completa 16:9.
ZOOM	Para imágenes tipo buzón 16:9. Puede que aparezcan barras en las partes superior e inferior con algunos programas.
CINE	Para imágenes tipo buzón 14:9. Puede que aparezcan barras en las partes superior e inferior con algunos programas.
Punto a punto	Adapta las señales de entrada al mismo número de píxeles de la pantalla. Se habilita sólo cuando el tamaño de la fuente de entrada es de 1920x1080.

Modo PC

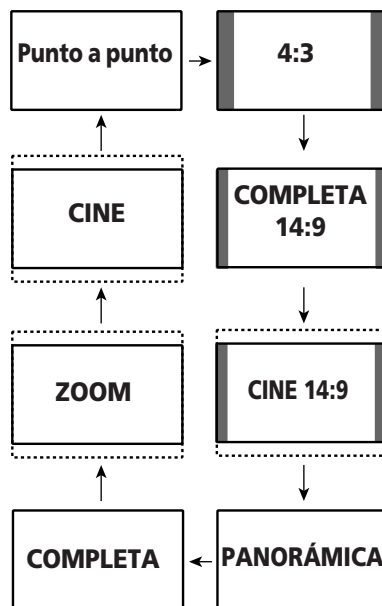
Ítem	Descripción
4:3	Rellena la pantalla sin cambiar la relación de aspecto de las señales de entrada.
COMPLETA	Visualización de pantalla completa 16:9.

Ítem	Descripción
Punto a punto	Adapta las señales de entrada al mismo número de píxeles de la pantalla.

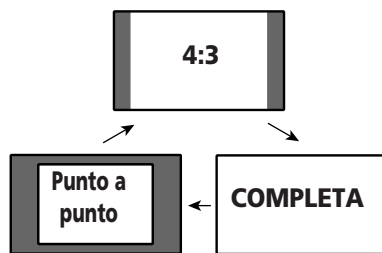
NOTA

- Las características de producción de imágenes de la pantalla de plasma pueden deteriorarse si se visualizan los tamaños de pantalla siguientes durante períodos prolongados de tiempo: 4:3, COMPLETA 14:9, CINE 14:9, Punto a punto (excepto cuando el tamaño de entrada es de 1920x1080). Si se visualizan continuamente los tamaños de pantalla de arriba durante varias horas, o durante períodos más cortos durante varios días, puede quedar en la pantalla una imagen remanente permanente debido a que se han quemado materiales fluorescentes.
A menos que se infrinjan las restricciones de los derechos de autor, se recomienda encarecidamente seleccionar un tamaño de pantalla que no produzca franjas negras en las partes superior/inferior o derecha/izquierda de la pantalla.
- No se recomienda visualizar consistentemente señales que no llenen por completo la pantalla. Podría causar la retención de imagen temporal o permanente dependiendo de la frecuencia y de la duración.
Algunas difusiones de HD pueden visualizar el contenido de 4:3 con máscaras laterales, lo cual puede ocasionar un desgaste desigual. Después de la visión, se recomienda mirar vídeo en movimiento en pantalla completa.
- Si se emplea la pantalla de plasma en actividades comerciales con beneficios, o cuando se muestran públicamente imágenes, el empleo de la función del tamaño de la imagen para comprimir o ampliar la imagen puede infringir los derechos de autor de los propietarios de la imagen.

Modo AV



Modo PC



Utilización de los menús

Menús del modo AV

Home Menu	Ítem	Página
Imagen	Contraste	25
	Brillo	25
	Color	25
	Matiz	25
	Nitidez	25
	Ajuste profesional	25
	Reponer	25
Sonido	Agudos	28
	Graves	28
	Balance	28
	FOCUS	28
	Surround frontal	28
	Reponer	28
	Control de la alimentación	Ahorro de energía
Gestión de energía: AV		29
Gestión de energía: PC		29
Opción	Posición	30
	Tmño. Auto.	32
	Modo 4:3	32
	Modo activo	30
Configuración	Idioma	25
	SR+	37
	ENTRADA1	31, 35
	ENTRADA2	33, 34
	ENTRADA3	33, 34
	ENTRADA4	31
	ENTRADA5	31, 33
ENTRADA6	31, 33	

Menús del modo PC

Home Menu	Ítem	Página
Imagen	Contraste	25
	Brillo	25
	Rojo	25
	Verde	25
	Azul	25
	Reponer	25

Sonido	Agudos	28
	Graves	28
	Balance	28
	FOCUS	28
	Surround frontal	28
	Reponer	28

Control de la alimentación	Ahorro de energía	29
	Gestión de energía: AV	29
	Gestión de energía: PC	29

Opción	Configuración manual	30
--------	----------------------	----

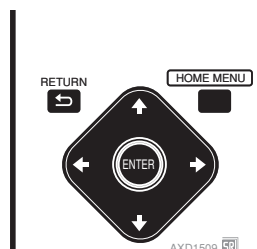
Configuración	Idioma	25
	SR+	37
	ENTRADA1	31, 35
	ENTRADA2	33, 34
	ENTRADA3	33, 34
	ENTRADA4	31
	ENTRADA5	31, 33
	ENTRADA6	31, 33

Operaciones con los menús

A continuación se describe el procedimiento típico para configurar los menús. Con respecto a los procedimientos reales, consulte las páginas apropiadas que describan las funciones individuales.

NOTA

- Los elementos entre paréntesis () indican notaciones para los botones de la unidad principal cuando son distintos a los del mando a distancia.



- Pulse **HOME MENU**.
- Pulse **↑/↓** para seleccionar un elemento del menú y, a continuación, pulse **ENTER (ENTER/DISP.)**.
- Repita el paso 2 hasta poder acceder al elemento del submenú deseado.
 - El número de capas del menú diferirá dependiendo de los elementos del menú.
- Pulse **←/→** para seleccionar una opción (o parámetro) y, a continuación, pulse **ENTER (ENTER/DISP.)**.
 - Para algunos elementos del menú, pulse **↑/↓** en vez de **←/→**.
- Pulse **HOME MENU, INPUT 1 a INPUT 6 (INPUT)** para salir del menú.

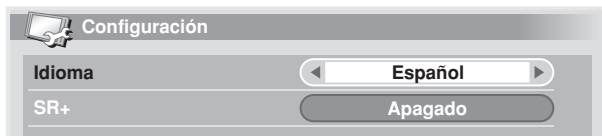
NOTA

- Usted podrá volver a niveles superiores del menú pulsando **RETURN**.

Configuración del idioma

Podrá seleccionar el idioma que desee utilizar para la visualización en pantalla, como por ejemplo para los menús y las instrucciones, entre los 15 idiomas siguientes: Inglés, alemán, francés, italiano, español, holandés, sueco, portugués, griego, finlandés, ruso, turco, noruego, danés, y japonés.

- 1 Pulse **HOME MENU**.
- 2 Seleccione "Configuración" (↑/↓ y, a continuación, **ENTER (ENTER/DISP.)**).
- 3 Seleccione "Idioma" (↑/↓).
- 4 Seleccione un idioma (←/→).

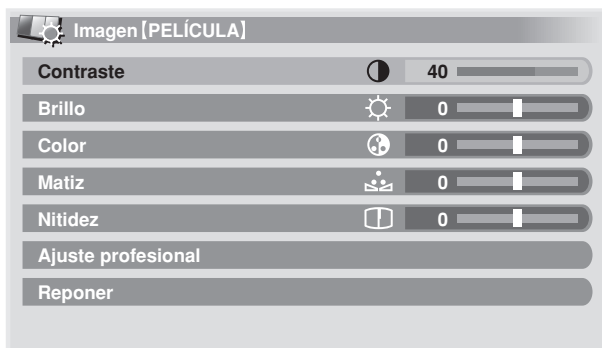


- 5 Pulse **HOME MENU, INPUT 1 a INPUT 6 (INPUT)** para salir del menú.

Ajustes de la imagen básicos

Ajuste la imagen según sus preferencias para la opción Selección AV elegida (excepto DINÁMICO).

- 1 Pulse **HOME MENU**.
- 2 Seleccione "Imagen" (↑/↓ y, a continuación, **ENTER (ENTER/DISP.)**).
- 3 Seleccione el elemento que desee ajustar (↑/↓ y, a continuación, **ENTER (ENTER/DISP.)**).



Para fuente de PC o Home Gallery, aparece la pantalla siguiente.



- 4 Seleccione el nivel deseado (←/→).



- Cuando se visualice una pantalla de ajuste, también puede cambiar un ítem pulsando ↑/↓.

- 5 Pulse **HOME MENU, INPUT 1 a INPUT 6 (INPUT)** para salir del menú.

Para la fuente de AV

Ítem	Botón ←	Botón →
Contraste	Para menos contraste	Para más contraste
Brillo	Para menos brillo	Para más brillo
Color	Para menos intensidad de color	Para más intensidad de color
Matiz	Los tonos de la piel tiran a morado	Los tonos de la piel tiran a verde
Nitidez	Para menos nitidez	Para más nitidez

Para la fuente de PC

Ítem	Botón ←	Botón →
Contraste	Para menos contraste	Para más contraste
Brillo	Para menos brillo	Para más brillo
Rojo	Para rojo más débil	Para rojo más fuerte
Verde	Para verde más débil	Para verde más fuerte
Azul	Para azul más débil	Para azul más fuerte

NOTA

- Para realizar los ajustes de imagen avanzados, seleccione "Ajuste profesional" en el paso 3 y, a continuación, pulse **ENTER (ENTER/DISP.)**. Para los procedimientos subsiguientes, consulte "Ajuste de imagen avanzados".
- Para restaurar los valores predeterminados de fábrica para todos los ítems, pulse ↑/↓ para seleccionar "Reponer" en el paso 3 y, a continuación, pulse **ENTER (ENTER/DISP.)**. Una pantalla de confirmación aparece. Pulse ↑/↓ para seleccionar "Sí" y, a continuación, pulse **ENTER (ENTER/DISP.)**.

Ajustes de imagen avanzados

La pantalla de plasma provee varias funciones avanzadas para optimizar la calidad de la imagen. Para los detalles sobre estas funciones, consulte las tablas.

Algunas funciones no están disponibles durante la entrada las señales 1080p@50 Hz o 1080p@60 Hz.

Utilización de PureCinema

- 1 Pulse **HOME MENU**.
- 2 Seleccione "Imagen" (↑/↓ y, a continuación, **ENTER (ENTER/DISP.)**).
- 3 Seleccione "Ajuste profesional" (↑/↓ y, a continuación, **ENTER (ENTER/DISP.)**).
- 4 Seleccione "PureCinema" (↑/↓ y, a continuación, **ENTER (ENTER/DISP.)**).
- 5 Seleccione el parámetro deseado (↑/↓ y, a continuación, **ENTER (ENTER/DISP.)**).
 - Con respecto a los parámetros seleccionables, consulte la tabla.

PureCinema

Detecta automáticamente una fuente basada en película (codificada original en 24 fotogramas/segundo), la analiza y, a continuación, recrea cada fotograma fijo para ofrecer una calidad de imagen de alta definición.

PureCinema

Selecciones	Apagado	Desactiva la función PureCinema.
	Estándar	Produce imágenes fluidas y vívidas (específicas para película) detectando automáticamente la información de imagen grabada cuando se visualizan imágenes de DVD o de alta definición (ej., películas) con 24 fotogramas por segundo.
	Avanzado	Produce imágenes en movimiento fluidas y de calidad (como se ve en las pantallas de cine) convirtiendo a 72 Hz cuando se visualizan imágenes de DVD (ej., películas) con 24 fotogramas por segundo.

NOTA

- No es posible seleccionar "Estándar" durante la entrada de las señales 480p, 720p@60 Hz.
- No es posible seleccionar "Avanzado" durante la entrada de las señales PAL, SECAM, 576i o 1080i@50 Hz.
- No es posible seleccionar "Estándar" ni "Avanzado" durante la entrada de las señales 576p, 1080p ó 720p@50 Hz.

Utilización de la temperatura de color

- 1 Pulse **HOME MENU**.
- 2 Seleccione "Imagen" (▲/▼ y, a continuación, **ENTER (ENTER/DISP.)**).
- 3 Seleccione "Ajuste profesional" (▲/▼ y, a continuación, **ENTER (ENTER/DISP.)**).
- 4 Seleccione "Detalle color" (▲/▼ y, a continuación, **ENTER (ENTER/DISP.)**).
- 5 Seleccione "Temperatura de color" (▲/▼ y, a continuación, **ENTER (ENTER/DISP.)**).
- 6 Seleccione el parámetro deseado (▲/▼ y, a continuación, **ENTER (ENTER/DISP.)**).
 - Si ha seleccionado un parámetro deseado en este paso, salte los pasos 7 y 8.
 - Puede preferir realizar un ajuste fino. Para hacer esto, primero seleccione "Manual" y después pulse **ENTER (ENTER/DISP.)** por más de tres segundos. Se visualiza la pantalla de ajuste manual. Luego, vaya al paso 7.

Temperatura de color

Ajusta la temperatura de color, resultando en mejor equilibrio del blanco.

Selecciones	Alta	Blanco con tono azulado
	Media-Alta	Tono intermedio entre Alta y Media
	Media	Tono natural
	Media-Baja	Tono intermedio entre Media y Baja
	Baja	Blanco con tono rojizo
	Manual	Temperatura del color ajustada según sus preferencias

- 7 Seleccione un ítem que desee ajustar (▲/▼ y, a continuación, **ENTER (ENTER/DISP.)**).

- 8 Seleccione el nivel deseado (◀/▶).

Ítem	Botón ←	Botón →
R Alta	Ajuste fino para partes brillantes	Para rojo más débil / Para rojo más fuerte
G Alta		Para verde más débil / Para verde más fuerte
B Alta		Para azul más débil / Para azul más fuerte
R Baja	Ajuste fino para partes oscuras	Para rojo más débil / Para rojo más fuerte
G Baja		Para verde más débil / Para verde más fuerte
B Baja		Para azul más débil / Para azul más fuerte

- Para realizar el ajuste para otro ítem, pulse **RETURN**, y, a continuación, repita los pasos 7 y 8.
- Puede pulsar ▲/▼ para cambiar inmediatamente un ítem que desee ajustar.

- 9 Pulse **HOME MENU, INPUT 1 a INPUT 6 (INPUT)** para salir del menú.

Utilización de CTI

- 1 Pulse **HOME MENU**.
- 2 Seleccione "Imagen" (▲/▼ y, a continuación, **ENTER (ENTER/DISP.)**).
- 3 Seleccione "Ajuste profesional" (▲/▼ y, a continuación, **ENTER (ENTER/DISP.)**).
- 4 Seleccione "Detalle color" (▲/▼ y, a continuación, **ENTER (ENTER/DISP.)**).
- 5 Seleccione "CTI" (▲/▼ y, a continuación, **ENTER (ENTER/DISP.)**).
- 6 Seleccione el parámetro deseado (▲/▼ y, a continuación, **ENTER (ENTER/DISP.)**).

CTI

Proporciona imágenes con contornos de color más claros. CTI son las siglas de Colour Transient Improvement (Mejora transitoria de color).

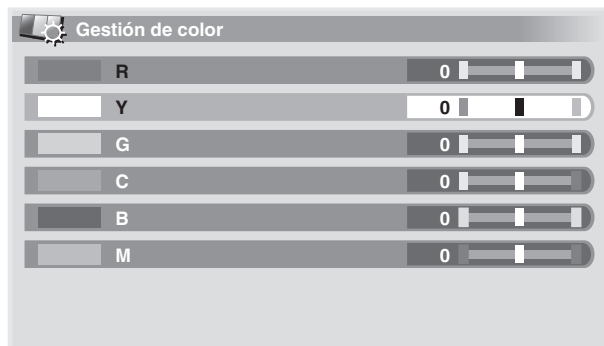
Selecciones	Apagado	Desactiva la función CTI.
	Encendido	Activa la función CTI.

- 7 Pulse **HOME MENU, INPUT 1 a INPUT 6 (INPUT)** para salir del menú.

Utilización de la gestión del color

- 1 Pulse **HOME MENU**.
- 2 Seleccione "Imagen" (▲/▼ y, a continuación, **ENTER (ENTER/DISP.)**).
- 3 Seleccione "Ajuste profesional" (▲/▼ y, a continuación, **ENTER (ENTER/DISP.)**).
- 4 Seleccione "Detalle color" (▲/▼ y, a continuación, **ENTER (ENTER/DISP.)**).
- 5 Seleccione "Gestión de color" (▲/▼ y, a continuación, **ENTER (ENTER/DISP.)**).

- 6 Seleccione el elemento que desee ajustar (▲/▼ y, a continuación, **ENTER (ENTER/DISP.)**).



- 7 Seleccione el nivel deseado (←/→).

Ítem	Botón ←	Botón →
R (Rojo)	Más cerca del magenta	Más cerca del amarillo
Y (Amarillo)	Más cerca del rojo	Más cerca del verde
G (Verde)	Más cerca del amarillo	Más cerca del azul verdoso
C (Azul verdoso)	Más cerca del verde	Más cerca del azul
B (Azul)	Más cerca del azul verdoso	Más cerca del magenta
M (Magenta)	Más cerca del azul	Más cerca del rojo

- Para realizar el ajuste para otro ítem, pulse **RETURN**, y, a continuación, repita los pasos 6 y 7.
- Puede pulsar ▲/▼ para cambiar inmediatamente un ítem que desee ajustar.

- 8 Pulse **HOME MENU, INPUT 1 a INPUT 6 (INPUT)** para salir del menú.

Reducción del ruido de las imágenes

- 1 Pulse **HOME MENU**.
- 2 Seleccione "Imagen" (▲/▼ y, a continuación, **ENTER (ENTER/DISP.)**).
- 3 Seleccione "Ajuste profesional" (▲/▼ y, a continuación, **ENTER (ENTER/DISP.)**).
- 4 Seleccione "NR" (▲/▼ y, a continuación, **ENTER (ENTER/DISP.)**).
- 5 Seleccione un ítem que desee ajustar (▲/▼ y, a continuación, **ENTER (ENTER/DISP.)**).
 - You can select "DNR" or "MPEG NR".
- 6 Seleccione el parámetro deseado (▲/▼ y, a continuación, **ENTER (ENTER/DISP.)**).

DNR

Reduce el ruido de vídeo para ofrecer imágenes nítidas. DNR son las siglas de Digital Noise Reduction (Reducción de ruido digital).

Selecciones	Apagado	Desactiva la función DNR.
	Alta	DNR mejorado
	Media	DNR estándar
	Baja	DNR moderado

MPEG NR

Reduce el ruido de mosquito de las imágenes de vídeo cuando se mira un canal de TV digital o cuando se reproduce un disco DVD, obteniéndose de este modo imágenes exentas de ruido.

Selecciones	Apagado	Desactiva la función MPEG NR.
	Alta	MPEG NR mejorado
	Media	MPEG NR estándar
	Baja	MPEG NR moderado

- 7 Pulse **HOME MENU, INPUT 1 a INPUT 6 (INPUT)** para salir del menú.

Utilización de las funciones del Expansor de Gamma Dinámica (DRE)

- 1 Pulse **HOME MENU**.
- 2 Seleccione "Imagen" (▲/▼ y, a continuación, **ENTER (ENTER/DISP.)**).
- 3 Seleccione "Ajuste profesional" (▲/▼ y, a continuación, **ENTER (ENTER/DISP.)**).
- 4 Seleccione "DRE" (▲/▼ y, a continuación, **ENTER (ENTER/DISP.)**).
- 5 Seleccione un ítem que desee ajustar (▲/▼ y, a continuación, **ENTER (ENTER/DISP.)**).
 - Puede seleccionar "Contraste dinámico", "Nivel negro", "ACL" o "Gamma".
- 6 Seleccione el parámetro deseado (▲/▼ y, a continuación, **ENTER (ENTER/DISP.)**).

Contraste dinámico

Aumenta el contraste en las imágenes de modo que la diferencia entre el brillo y oscuridad quede más distinta.

Selecciones	Apagado	Desactiva el contraste dinámico.
	Alta	Contraste dinámico aumentado
	Media	Contraste dinámico estándar
	Baja	Contraste dinámico moderado

Nivel negro

Aumenta la parte oscura en las imágenes de modo que la diferencia entre el brillo y oscuridad quede más distinta.

Selecciones	Apagado	Desactiva el nivel de negro.
	Encendido	Activa el nivel de negro.

ACL

Realiza una compensación que resulta en las características de contraste óptimas para las imágenes.

Selecciones	Apagado	Desactiva la función ACL.
	Encendido	Activa la función ACL.

Gamma

Ajusta las características de gamma (características de degradación de imagen).

Selecciones	1	Selecciona las características de gamma 1.
	2	Selecciona las características de gamma 2.
	3	Selecciona las características de gamma 3.

- 7 Pulse **HOME MENU, INPUT 1 a INPUT 6 (INPUT)** para salir del menú.

Utilización de 3DYC y del I-P Modo

- 1 Pulse **HOME MENU**.
- 2 Seleccione "Imagen" (▲/▼ y, a continuación, **ENTER (ENTER/DISP.)**).
- 3 Seleccione "Ajuste profesional" (▲/▼ y, a continuación, **ENTER (ENTER/DISP.)**).
- 4 Seleccione "Otros" (▲/▼ y, a continuación, **ENTER (ENTER/DISP.)**).
- 5 Seleccione un ítem que desee ajustar (▲/▼ y, a continuación, **ENTER (ENTER/DISP.)**).
 - Puede seleccionar "3DYC" o "I-P Modo".
- 6 Seleccione el parámetro deseado (▲/▼ y, a continuación, **ENTER (ENTER/DISP.)**).

3DYC

Optimiza las características para separar las señales de brillo y señales de color. Esto funciona tanto para imágenes de vídeo y como para imágenes fijas.

Selecciones	Apagado	Desactiva la función 3DYC.
	Alta	3DYC aumentada
	Media	3DYC estándar
	Baja	3DYC moderada

I-P Modo

Realiza la conversión óptima de las señales entrelazadas a señales progresivas. Esto funciona tanto para imágenes de vídeo y como para imágenes fijas.

Selecciones	1	Óptimo para imágenes de vídeo
	2	Configuración estándar
	3	Óptimo para imágenes fijas

- 7 Pulse **HOME MENU, INPUT 1 a INPUT 6 (INPUT)** para salir del menú.

NOTA

Sólo puede ajustarse cuando se introduce una señal de vídeo. Sin embargo, este ajuste no se soporta si se aplica una de las condiciones siguientes:

- Condiciones para ajustar "3DYC": Entrada de señal NTSC y entrada de señal PAL desde ENTRADA6.
- Señales para las que no puede ajustarse "I-P Modo": 480p, 720p, 576p, 1080p.

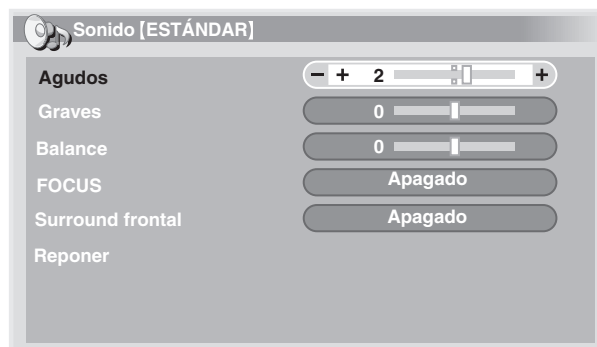
Ajustes del sonido

Puede ajustar la calidad del sonido según sus preferencias con las configuraciones siguientes.

Ajuste el sonido según sus preferencias para la opción Selección AV elegida. Consulte la página 22.

- 1 Pulse **HOME MENU**.
- 2 Seleccione "Sonido" (▲/▼ y, a continuación, **ENTER (ENTER/DISP.)**).
- 3 Seleccione el elemento que desee ajustar (▲/▼).

- 4 Seleccione el nivel deseado (◀/▶).



Ítem	Botón ←	Botón →
Agudos	Para agudos más débiles	Para agudos más fuertes
Graves	Para graves más débiles	Para graves más fuertes
Balance	Disminuye el audio del altavoz derecho	Disminuye el audio del left altavoz izquierdo

- 5 Pulse **HOME MENU, INPUT 1 a INPUT 6 (INPUT)** para salir del menú.

NOTA

- Para restaurar los valores predeterminados de fábrica para todos los ítems, pulse ▲/▼ para seleccionar "Reponer" en el paso 3 y, a continuación, pulse **ENTER (ENTER/DISP.)**. Una pantalla de confirmación aparece. Pulse ▲/▼ para seleccionar "Sí" y, a continuación, pulse **ENTER (ENTER/DISP.)**.

FOCUS

Desplaza el sonido que viene de arriba (imágenes del sonido) y produce contornos de sonido claros.

- 1 Pulse **HOME MENU**.
- 2 Seleccione "Sonido" (▲/▼ y, a continuación, **ENTER (ENTER/DISP.)**).
- 3 Seleccione "FOCUS" (▲/▼).
- 4 Seleccione el parámetro deseado (◀/▶).



Ítem	Descripción
Apagado	Desactiva la función FOCUS.
Encendido	Activa la función FOCUS.

- 5 Pulse **HOME MENU, INPUT 1 a INPUT 6 (INPUT)** para salir del menú.

NOTA

- El efecto de esta función difiere dependiendo de las señales.

Surround frontal



Proporciona efectos de sonido tridimensional y/o graves profundos y ricos.

- 1 Pulse **HOME MENU**.
- 2 Seleccione "Sonido" (▲/▼ a continuación, **ENTER (ENTER/DISP.)**).
- 3 Seleccione "Surround frontal" (▲/▼).
- 4 Seleccione el parámetro deseado (←/→).

Ítem	Descripción
Apagado	Desactiva tanto SRS como TruBass.
SRS	Reproduce un sonido tridimensional altamente efectivo.
TruBass	Proporciona graves profundos y ricos utilizando una nueva tecnología.
TruBass + SRS	Proporciona los efectos TruBass y SRS al mismo tiempo.

- 5 Pulse **HOME MENU, INPUT 1 a INPUT 6 (INPUT)** para salir del menú.

NOTA

-  (WOW) designa un estado en donde FOCUS está activado y TruBass + SRS ha sido seleccionado para el Surround frontal.
-  es una marca registrada de SRS Labs, Inc.
- La tecnología WOW está incorporada bajo licencia de SRS Labs, Inc.
- El efecto de esta función difiere dependiendo de las señales.

Control de la alimentación

El control de la alimentación ofrece funciones convenientes para el ahorro de energía.

Ahorro de energía

Podrá emplear uno de los dos modos de ahorro de energía para ahorrar el consumo de energía.

- 1 Pulse **HOME MENU**.
- 2 Seleccione "Control de la alimentación" (▲/▼ y, a continuación, **ENTER (ENTER/DISP.)**).
- 3 Seleccione "Ahorro de energía" (▲/▼).
- 4 Seleccione "Ahorrar1" o "Ahorrar2" (←/→).

Ítem	Descripción
Estándar	No reduce el brillo de la imagen.
Ahorrar1	Baja ligeramente el consumo de energía mientras suprime ligeramente el nivel de reducción del brillo.
Ahorrar2	Reduce el brillo de la imagen y disminuye el consumo de energía.

- 5 Pulse **HOME MENU, INPUT 1 a INPUT 6 (INPUT)** para salir del menú.

Gestión de energía: AV

La pantalla de plasma se establecerá automáticamente en el modo de espera si no se recibe ninguna señal durante 8 minutos.

- 1 Pulse **HOME MENU**.

- 2 Seleccione "Control de la alimentación" (▲/▼ y, a continuación, **ENTER (ENTER/DISP.)**).
- 3 Seleccione "Gestión de energía: AV" (▲/▼).
- 4 Seleccione "Activar" (←/→).

Ítem	Descripción
Desactivar	La pantalla de plasma no se establece en el modo de espera.
Activar	La pantalla de plasma se establecerá en el modo de espera si no se recibe ninguna señal durante 8 minutos.

- 5 Pulse **HOME MENU, INPUT 1 a INPUT 6 (INPUT)** para salir del menú.

NOTA

- INPUT1 a INPUT6 están habilitadas. Sin embargo, INPUT1 y 4 están inhabilitadas cuando se les ha ajustado el "Tipo de señal" a "PC".
- La operación se inhabilita durante la visualización de HOME MENU.
- Se visualizará un mensaje inmediatamente antes de que la pantalla de plasma se establezca en el modo de espera.

Gestión de energía: PC

La pantalla de plasma se establecerá automáticamente en el modo de espera cuando no se reciba ninguna señal.

- 1 Pulse **HOME MENU**.
- 2 Seleccione "Control de la alimentación" (▲/▼ y, a continuación, **ENTER (ENTER/DISP.)**).
- 3 Seleccione "Gestión de energía: PC" (▲/▼).
- 4 Seleccione "Activar" (←/→).

Ítem	Descripción
Desactivar	Sin gestión de alimentación
Activar	Si no se detecta ninguna señal de entrada durante uno o más minutos, la unidad se establecerá automáticamente en el modo de espera. Si se detecta subsecuentemente una señal, la unidad se encenderá automáticamente.

- 5 Pulse **HOME MENU, INPUT 1 a INPUT 6 (INPUT)** para salir del menú.

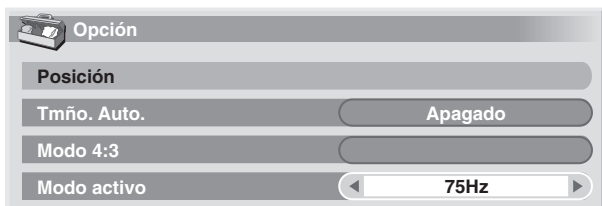
NOTA

- Sólo INPUT1 y INPUT4 están habilitadas. Sin embargo, están inhabilitadas cuando se ha ajustado el "Tipo de señal" a "AV".
- La operación se inhabilita durante la visualización de HOME MENU.

Cambio de la frecuencia de accionamiento vertical (sólo el modo AV)

Podrá cambiar la frecuencia de excitación vertical para la visualización de la pantalla entre 75 Hz y 100 Hz. Seleccione la frecuencia de excitación más adecuada para sus señales de entrada.

- 1 Pulse **HOME MENU**.
- 2 Seleccione "Opción" (▲/▼ y, a continuación, **ENTER (ENTER/DISP.)**).
- 3 Seleccione "Modo activo" (▲/▼).
- 4 Seleccione "75Hz" o "100Hz" (◀/▶).



- 5 Pulse **HOME MENU, INPUT 1 a INPUT 6 (INPUT)** para salir del menú.

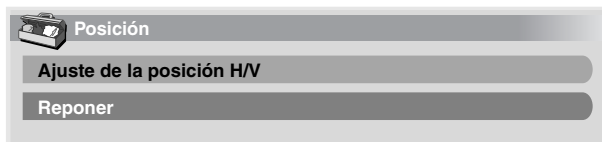
NOTA

- Se puede realizar esta configuración para cada fuente de entrada separadamente.
- Este ajuste se inhabilita cuando se introducen señales de 480i, 480p, 1080i@60 Hz, 720p@60 Hz, 1080p@24 Hz, 1080p@60 Hz, 4.43 NTSC, o señales NTSC.

Ajuste de las posiciones de la imagen (sólo el modo AV)

Ajuste las posiciones horizontal y vertical de las imágenes en la pantalla de plasma.

- 1 Pulse **HOME MENU**.
- 2 Seleccione "Opción" (▲/▼ y, a continuación, **ENTER (ENTER/DISP.)**).
- 3 Seleccione "Posición" (▲/▼ y, a continuación, **ENTER (ENTER/DISP.)**).
- 4 Seleccione "Ajuste de la posición H/V" (▲/▼ y, a continuación, **ENTER (ENTER/DISP.)**).



- 5 Ajuste la posición vertical (▲/▼) o la horizontal (◀/▶).
- 6 Pulse **HOME MENU, INPUT 1 a INPUT 6 (INPUT)** para salir del menú.

NOTA

- Para restaurar los valores predeterminados de fábrica para todos los ítems, pulse ▲/▼ para seleccionar "Reponer" en el paso 4 y, a continuación, pulse **ENTER (ENTER/DISP.)**. Una pantalla de confirmación aparece. Pulse ▲/▼ para seleccionar "Sí" y, a continuación, pulse **ENTER (ENTER/DISP.)**.
- Los ajustes se memorizan separadamente de acuerdo con la fuente de entrada.

Ajuste automático de las posiciones y reloj de las imágenes (sólo el modo PC)

Utilice la autoconfiguración para ajustar automáticamente las posiciones y reloj de las imágenes a partir de un ordenador.

- 1 Pulse **PC AUTO SET UP** en el mando a distancia.
 - La autoconfiguración comienza.
- 2 Pulse **HOME MENU, INPUT 1 a INPUT 6 (INPUT)** para salir del menú.

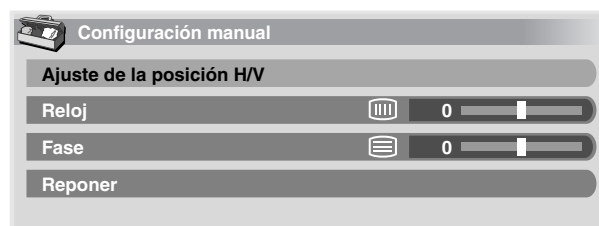
NOTA

- Una vez que se finalice la autoconfiguración, se visualiza "Ajuste automático completado".
- Aunque aparezca "Ajuste automático completado", es posible que la autoconfiguración haya fallado, dependiendo de las condiciones.
- La autoconfiguración puede fallar con una imagen de PC compuesta por patrones similares o en monocromo. En caso de falla, cambie la imagen de PC e intente de nuevo.
- No se olvide de conectar el ordenador a la unidad y de iniciarlo antes de comenzar la configuración automática.

Ajuste manual de las posiciones y reloj de las imágenes (sólo el modo PC)

Usualmente, puede ajustar fácilmente las posiciones y reloj de las imágenes utilizando la autoconfiguración. Utilice la configuración manual para optimizar las posiciones y reloj de las imágenes cuando se necesario.

- 1 Pulse **HOME MENU**.
- 2 Seleccione "Opción" (▲/▼ y, a continuación, **ENTER (ENTER/DISP.)**).
- 3 Seleccione "Configuración manual" (▲/▼ y, a continuación, **ENTER (ENTER/DISP.)**).
- 4 Seleccione el elemento que desee ajustar (▲/▼ y, a continuación, **ENTER (ENTER/DISP.)**).



- 5 Realice el ajuste (◀/▶ y ▲/▼).
Con "Reloj" o "Fase" seleccionado, puede cambiar el parámetro utilizando ▲/▼.
- 6 Pulse **HOME MENU, INPUT 1 a INPUT 6 (INPUT)** para salir del menú.

NOTA

- Para restaurar los valores predeterminados de fábrica para todos los ítems, pulse ▲/▼ para seleccionar "Reponer" en el paso 4 y, a continuación, pulse **ENTER (ENTER/DISP.)**. Una pantalla de confirmación aparece. Pulse ▲/▼ para seleccionar "Sí" y, a continuación, pulse **ENTER (ENTER/DISP.)**.

Selección de un tipo de señal de entrada

Tras conectar al terminal INPUT1 o INPUT4, especifique el tipo de señales de vídeo que se van recibir desde el equipo conectado. Para el tipo de señales, consulte el manual de instrucciones que acompaña el equipo conectado.

Antes de iniciar el menú, presione **INPUT 1** o **INPUT 4 (INPUT)** para seleccionar una fuente de entrada.

- 1 Pulse **HOME MENU**.
- 2 Seleccione "Configuración" (▲/▼ y, a continuación, **ENTER (ENTER/DISP.)**).
- 3 Seleccione "ENTRADA1" o "ENTRADA4" (▲/▼ y, a continuación, **ENTER (ENTER/DISP.)**).
- 4 Seleccione un tipo de señal (◀/▶).



- Para ENTRADA1, podrá seleccionar AV o PC.
 - Para ENTRADA4, podrá seleccionar AV o PC. Adicionalmente, podrá seleccionar la decodificación de colores, componentes, o RGB. XGA, WXGA o AUTO pueden seleccionarse con el ajuste de XGA/WXGA.
- 5 Pulse **HOME MENU, INPUT 1** a **INPUT 6 (INPUT)** para salir del menú.

NOTA

- Si no aparece ninguna imagen o si las imágenes aparecen en colores incorrectos, especifique otro tipo de señales de vídeo.
- Para el tipo de señales que se debe especificar, consulte el manual de instrucciones que acompaña al equipo conectado.

Configuración del sistema de color

Si una imagen no aparece claramente, seleccione otro sistema de color (ej., PAL, NTSC).

- 1 Pulse **HOME MENU**.
- 2 Seleccione "Configuración" (▲/▼ y, a continuación, **ENTER (ENTER/DISP.)**).
- 3 Seleccione "ENTRADA5" o "ENTRADA6" (▲/▼ y, a continuación, **ENTER (ENTER/DISP.)**).
- 4 Seleccione un sistema de señales de vídeo (◀/▶).



- Puede seleccionar entre "Auto", "PAL", "SECAM", "NTSC", "4.43NTSC", "PAL-M" o "PAL-N".
 - Con "Auto" seleccionado, las señales de entrada se identifican automáticamente.
- 5 Pulse **HOME MENU, INPUT 1** a **INPUT 6 (INPUT)** para salir del menú.

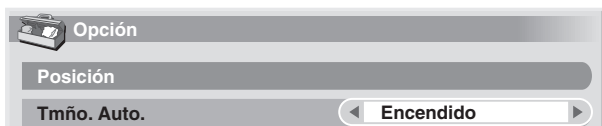
NOTA

- Debe realizar la configuración del sistema de color para cada uno de los siguientes terminales ENTRADA5 y 6.

Selección automática de un tamaño de pantalla (sólo el modo AV)

La pantalla de plasma selecciona automáticamente un tamaño de pantalla apropiado cuando recibe las señales de vídeo procedentes de un equipo HDMI que se haya conectado (vea la página 33). Para activar esta función, emplee el procedimiento siguiente.

- 1 Pulse **HOME MENU**.
- 2 Seleccione "Opción" (↑/↓ y, a continuación, **ENTER (ENTER/DISP.)**).
- 3 Seleccione "Tmño. Auto." (↑/↓).
- 4 Seleccione "Encendido" (←/→).



Ítem	Descripción
Apagado	Desactiva la función de tamaño automático.
Encendido	Activa la función de tamaño automático.

- 5 Pulse **HOME MENU, INPUT 1 a INPUT 6 (INPUT)** para salir del menú.

NOTA

- Seleccione manualmente un tamaño de pantalla apropiado si una imagen no cambia automáticamente a un formato de pantalla correcto.
- Cuando la señal de vídeo no contiene información de relación de aspecto, la función no funcionará aunque "Encendido" esté seleccionado.

Selección de un tamaño de pantalla para las señales de relación de aspecto 4:3 recibidas (sólo el modo AV)

Especifique si la pantalla de plasma debe seleccionar el modo 4:3 o modo PANORÁMICA cuando se reciben señales de relación de aspecto 4:3 con la función de tamaño automático activada.

- 1 Pulse **HOME MENU**.
- 2 Seleccione "Opción" (↑/↓ y, a continuación, **ENTER (ENTER/DISP.)**).
- 3 Seleccione "Modo 4:3" (↑/↓).
- 4 Seleccione "PANORÁMICA" o "4:3" (←/→).



Ítem	Descripción
PANORÁMICA	Imagen panorámica sin máscaras laterales.
4:3	Mantiene la relación de aspecto de 4:3 y visualiza máscaras laterales.

PANORÁMICA



4:3



- 5 Pulse **HOME MENU, INPUT 1 a INPUT 6 (INPUT)** para salir del menú.

Podrá conectar muchos tipos de equipos externos a la pantalla de plasma, como por ejemplo un decodificador, videograbadora, reproductor de discos DVD, ordenador, consola de videojuegos, y una videocámara.

NOTA

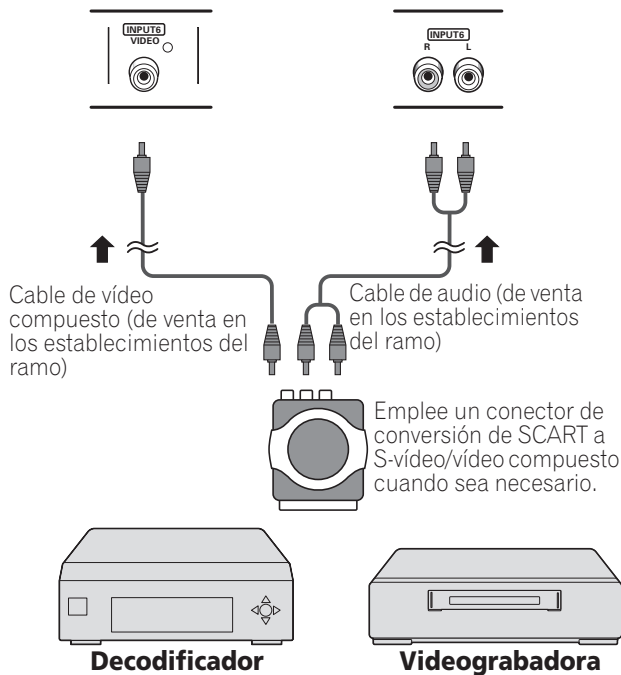
- Consulte el manual de instrucciones correspondiente (reproductor de discos DVD, ordenador, etc.) leyéndolo con cuidado antes de realizar las conexiones.

Para ver la imagen de un decodificador o de una videograbadora

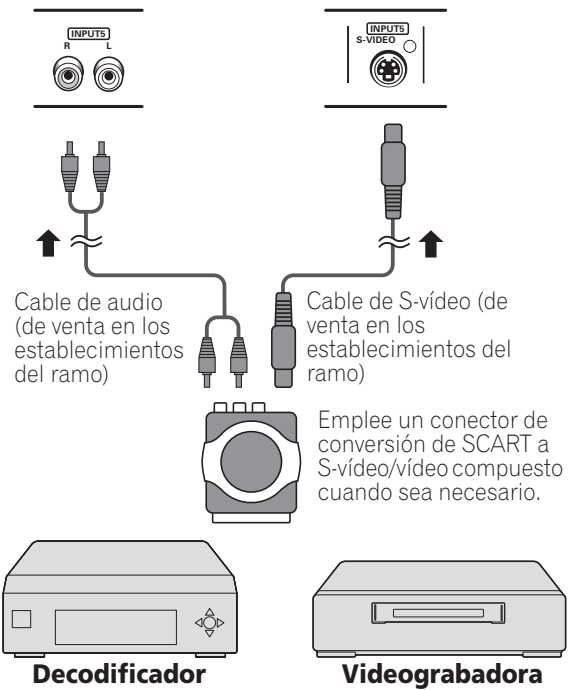
Conexión de un decodificador o de una videograbadora

Emplee el terminal INPUT5 o INPUT6 cuando conecte un decodificador y otro equipo audiovisual.

Conexiones para conectores de vídeo compuesto



Conexiones para los conectores S-vídeo



Visualización de la imagen de un decodificador o de una videograbadora

Pulse **INPUT 5** o **INPUT 6 (INPUT)** para seleccionar ENTRADA5 o ENTRADA6.

NOTA

- Asegúrese de emplear INPUT5 o INPUT6 para conectar un decodificador o una videograbadora.
- Si las imágenes del decodificador o de la videograbadora no aparecen con claridad, es posible que tenga que cambiar el ajuste del tipo de señal de entrada empleando el menú. Vea la página 31.
- En cuanto al tipo de señal, consulte el manual de instrucciones del decodificador o de la videograbadora.

Empleo de la entrada HDMI

Esta pantalla de plasma está provista de dos terminales HDMI (INPUT2 y 3) que aceptan señales de vídeo y audio digitales. Para emplear el terminal HDMI, active el terminal y especifique los tipos de señales de vídeo y de audio que deban recibirse desde el equipo conectado. En cuanto al tipo de señales, consulte el manual de instrucciones del equipo que haya conectado.

Antes de iniciar el menú, pulse **INPUT 2** o **INPUT 3 (INPUT)** para seleccionar ENTRADA2 o ENTRADA3.

Tabla de correlación de señales de entrada

1920*1080p@24 Hz
1920*1080p@50 Hz
1920*1080p@59,24/60 Hz
1920*1080i@50 Hz
1920*1080i@59,94/60 Hz
1280*720p@50 Hz

Tabla de correlación de señales de entrada

1280*720p@59,94/60 Hz

720*576p@50 Hz

720(1440)*576i@50 Hz

720*480p@59,94/60 Hz

720(1440)*480i@59,94/60 Hz

Para el audio, la pantalla de plasma es compatible con lo siguiente:

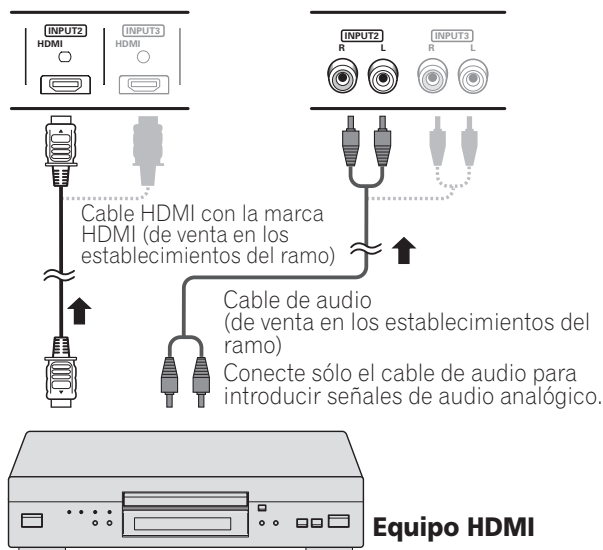
- Linear PCM (STEREO 2ch)
- Frecuencia de muestreo: 32 kHz, 44,1 kHz, 48 kHz

NOTA

- Las señales de PC están fuera de correspondencia.
- La visualización de la entrada HDMI en la esquina superior derecha de la pantalla de plasma (cuadro azul) cada vez que se cambia el formato de salida de los dispositivos externos puede causar una pantalla en blanco durante la detección del formato de la señal.

Conexión del equipo HDMI

Cuando se emplea el terminal HDMI INPUT2 o INPUT3:

**Para activar el terminal HDMI:**

Cuando emplee el terminal HDMI INPUT2 o INPUT3, realice el procedimiento siguiente para activar el terminal.

- 1 Pulse **HOME MENU**.
- 2 Seleccione "Configuración" (▲/▼ y, a continuación, **ENTER (ENTER/DISP.)**).
- 3 Seleccione "ENTRADA2" o "ENTRADA3" (▲/▼ y, a continuación, **ENTER (ENTER/DISP.)**).
- 4 Seleccione "Vídeo" o "Audio" (▲/▼).
- 5 Realice el ajuste de "Vídeo" o "Audio".
- 6 Pulse **HOME MENU, INPUT 1 a INPUT 6 (INPUT)** para salir del menú.

Para especificar el tipo de señales de vídeo digitales:

- 1 Repita los pasos de 1 a 2 descritos en "Para activar el terminal HDMI".

- 2 Seleccione "Vídeo" (▲/▼).
- 3 Seleccione el tipo de señales de vídeo de entrada (◀/▶).
 - Si se selecciona "Auto", se hará un intento para identificar el tipo de señales de vídeo digitales cuando se reciben las señales de vídeo digitales.

Ítem	Descripción
Auto	Identifica automáticamente las señales de vídeo digitales.
Color-1	Señales de vídeo de componentes digitales (4:2:2) bloqueadas
Color-2	Señales de vídeo de componentes digitales (4:4:4) bloqueadas
Color-3	Señales RGB digitales (16 a 235) bloqueadas
Color-4	Señales RGB digitales (0 a 255) bloqueadas

- 4 Pulse **HOME MENU, INPUT 1 a INPUT 6 (INPUT)** para salir del menú.

NOTA

- Si selecciona un parámetro diferente de "Auto", haga un ajuste que produzca un color natural.
- Si las imágenes no se ven con claridad, especifique otro tipo de señal de vídeo digital.
- Para el tipo de señales digitales que se debe especificar, consulte el manual de instrucciones que acompaña el equipo conectado.

Para especificar el tipo de señales de audio:

Cuando emplee el terminal HDMI INPUT2 o INPUT3, realice el procedimiento siguiente para especificar el tipo de señales de audio.

- 1 Repita los pasos de 1 a 2 descritos en "Para activar el terminal HDMI".
- 2 Seleccione "Audio" (▲/▼).
- 3 Seleccione el tipo de señales de audio (◀/▶).
 - Si se selecciona "Auto", se hará un intento para identificar el tipo de señales de audio cuando se reciben las señales de audio.

Ítem	Descripción
Auto	Identifica automáticamente las señales de audio introducidas.
Digital	Acepta las señales de audio digitales.
Analógico	Acepta las señales de audio analógicas.

- 4 Pulse **HOME MENU, INPUT 1 a INPUT 6 (INPUT)** para salir del menú.

NOTA

- Si no se genera ningún sonido, especifique otro tipo de señales de audio.
- Con respecto a los tipos de señales de audio que podrá especificar, consulte el manual de instrucciones suministrado con el equipo especificado.
- Dependiendo del equipo, es posible que tenga que conectar también cables de audio analógico.

Empleo de la entrada DVI

Esta pantalla de plasma está provista de un terminal DVI (INPUT1) que acepta vídeo digital.

Antes de iniciar el menú, pulse **INPUT 1** en el mando a distancia para seleccionar ENTRADA1.

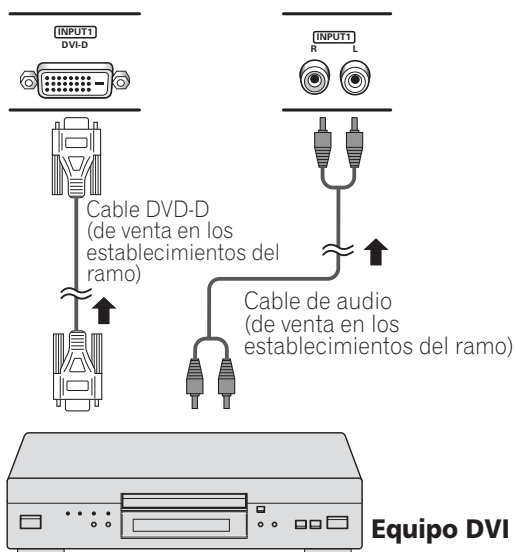
Tabla de correlación de señales de entrada

1920*1080i@50 Hz
720*576p@50 Hz
1280*720p@50 Hz
1920*1080i@59,94/60 Hz
720*480p@59,94/60 Hz
1280*720p@59,94/60 Hz

NOTA

- Vea la sección "Gráfica de compatibilidad con ordenador" (página 37) para ver las señales de ordenador que son compatibles.

Conexión del equipo DVI



Para activar el terminal DVI:

Cuando emplee el terminal INPUT1, realice el procedimiento siguiente para activar el terminal.

- 1 Pulse **HOME MENU**.
- 2 Seleccione "Configuración" (▲/▼ y luego **ENTER (ENTER/ DISP.)**).
- 3 Seleccione "ENTRADA1" (▲/▼ y luego **ENTER (ENTER/ DISP.)**).
- 4 Realice el ajuste de "AV".
- 5 Pulse **HOME MENU, INPUT 1 a INPUT 6 (INPUT)** para salir del menú.

NOTA

- Vea la sección "Visualización de la imagen de un ordenador" (página 36) para ver las conexiones con un ordenador.

Para especificar el tipo de señales de vídeo digital:

- 1 Repita los pasos 1 y 3 del apartado "Para activar el terminal DVI".
- 2 Seleccione "Vídeo" (▲/▼).
- 3 Seleccione el tipo de señales de vídeo digital (◀/▶).

Ítem	Descripción
RGB (16 - 235)	Señales RGB digitales (16 a 235) bloqueadas
RGB (0 - 255)	Señales RGB digitales (0 a 255) bloqueadas

- 4 Pulse **HOME MENU, INPUT 1 a INPUT 6 (INPUT)** para salir del menú.

NOTA

- Esta selección se inhabilitará cuando se ajusta el "Tipo de señal" a "PC". Para ver los detalles sobre el tipo de señal, consulte la sección "Para activar el terminal DVI".
- Si las imágenes no se ven con claridad, especifique otro tipo de señal de vídeo digital.
- En cuanto a los tipos de señales de vídeo digital, consulte el manual de instrucciones del equipo que haya conectado.

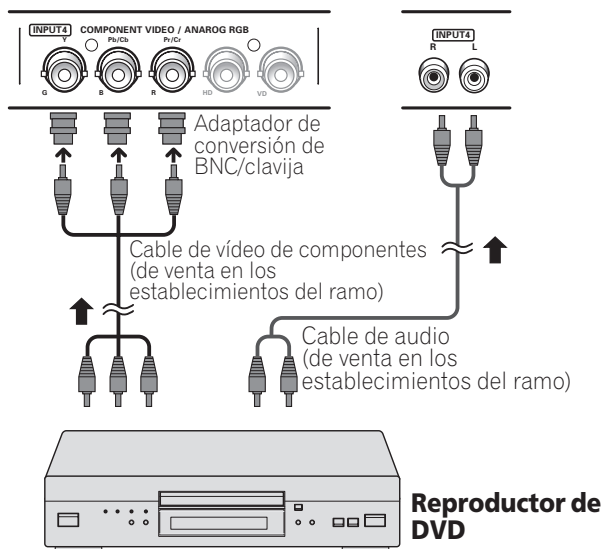
Visualización de la imagen de un DVD

Tabla de correlación de señales de entrada

1920*1080p@24 Hz
1920*1080i@50 Hz
1920*1080i@59,94/60 Hz
1280*720p@50 Hz
1280*720p@59,94/60 Hz
720*576p@50 Hz
720*576i@50 Hz
720*480p@59,94/60 Hz
720*480i@59,94/60 Hz

Conexión de un reproductor de DVD

Emplee el terminal INPUT4, 5 ó 6 cuando conecte un reproductor de DVD y otro equipo audiovisual.



Visualización de la imagen del DVD

Para ver la imagen del DVD, pulse **INPUT 4, 5, ó 6 (INPUT)** para seleccionar ENTRADA4, 5 ó 6.

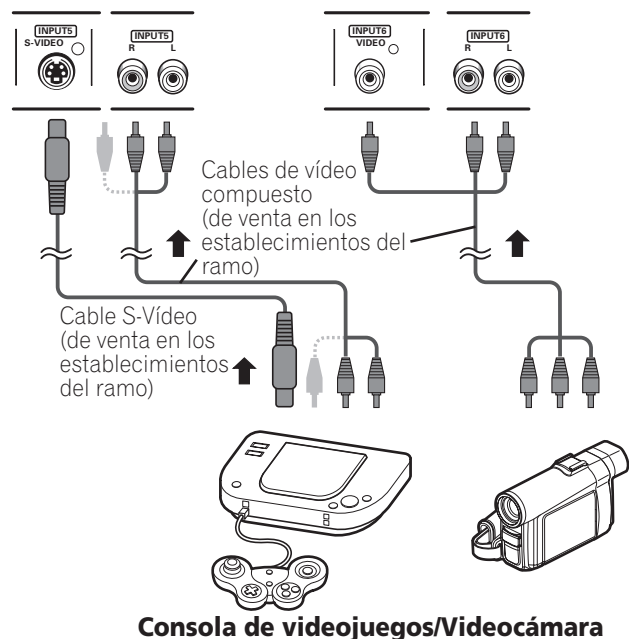
NOTA

- Si las imágenes del DVD no se visualizan claramente, puede que sea necesario cambiar la configuración del tipo de señal de entrada utilizando el menú. Consulte la página 31.
- Consulte el manual de instrucciones de su reproductor DVD para el tipo de señal.

Reproducción con consola de videojuegos o videocámara

Conexión de una consola de videojuegos o una videocámara

Utilice el terminal INPUT5 o INPUT6 para conectar una consola de videojuegos, videocámara u otro equipo audiovisual.



Visualización de la imagen de una consola de videojuegos o de una videocámara

Para ver la imagen proveniente de la consola de videojuegos o videocámara, pulse **INPUT 5 o INPUT 6 (INPUT)** para seleccionar ENTRADA5 o ENTRADA6.

NOTA

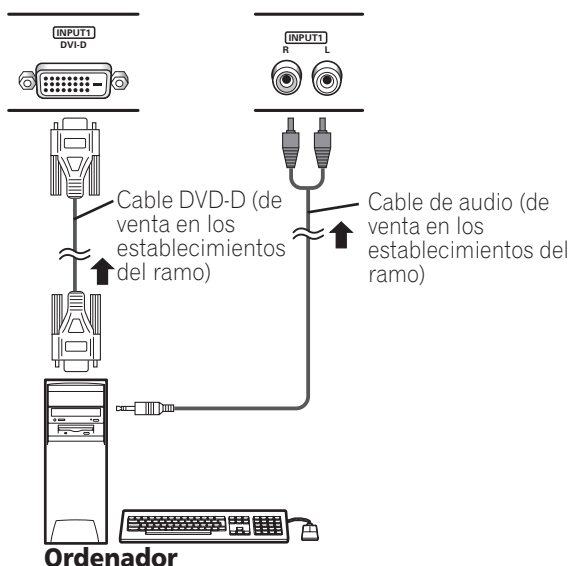
- Conecte un equipo externo sólo a los terminales que realmente se utilizarán.

Visualización de la imagen de un ordenador

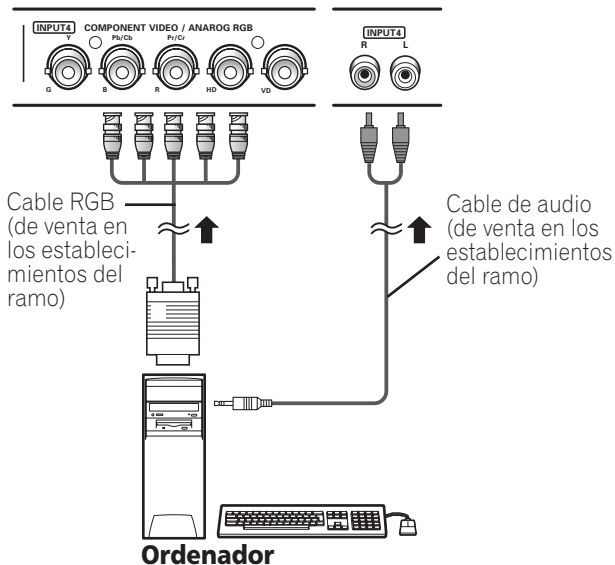
Conexión de un ordenador

Emplee los terminales INPUT1 o INPUT4 para conectar un ordenador.

Quando se emplee el terminal INPUT1:



Quando se emplee el terminal INPUT4:



Visualización de la imagen de un ordenador

Para ver la imagen proveniente del ordenador, pulse **INPUT 1** o **INPUT 4 (INPUT)**.

Cuando conecte un ordenador, el tipo correcto de señal de entrada se detecta automáticamente. Si la imagen del ordenador no se ve con claridad, puede resultar necesario emplear la función de configuración automática del mando a distancia.

Gráfica de compatibilidad con ordenador

Resolución	Frecuencia	Observaciones
720 x 400	70 Hz	
640 x 480	60 Hz	
	72 Hz	
	75 Hz	
800 x 600	60 Hz	
	72 Hz	
	75 Hz	
1024 x 768	60 Hz	
	70 Hz	
	75 Hz	
1280 x 720	60 Hz	
1280 x 768	60 Hz	
1280 x 1024	60 Hz	

NOTA

- INPUT1 (DVI) también es compatible con señales de 1280 x 1024 @75 Hz, y 1920 x 1080 @60 Hz.

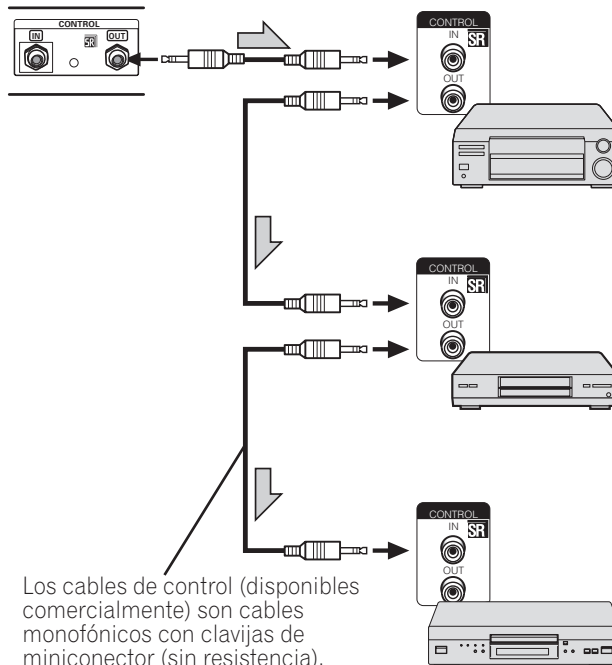
Conexión de los cables de control

Conecte los cables de control entre la pantalla de plasma y otro equipo PIONEER provisto del logotipo **SR+**. Entonces, podrá operar el equipo conectado emitiendo comandos desde su mando a distancia al sensor de control remoto de la pantalla de plasma.

Una vez que los terminales CONTROL IN se hayan conectado, los sensores de mando a distancia de los equipos conectados no aceptan comandos de sus mandos a distancia. Apunte los mandos a distancia al sensor de mando a distancia de la pantalla de plasma para operar los equipos conectados.

NOTA

- Antes de hacer las conexiones, asegúrese de que todos los equipos estén apagados.
- Complete todas las conexiones entre los componentes antes de hacer las conexiones de los cables de control.



Acerca de SR+

El terminal CONTROL OUT de la parte posterior de la pantalla de plasma es compatible con **SR+**, lo que permite realizar operaciones enlazadas con un receptor de audio-video de PIONEER. **SR+** ofrece funciones tales como la función de operación de enlace del selector de entrada y la función de visualización del modo de sonido Surround DSP. Para encontrar más información, consulte el manual de instrucciones del receptor de audio-video de PIONEER compatible con **SR+**.

- 1 Pulse **HOME MENU**.
- 2 Seleccione "Configuración" (↑/↓ y luego **ENTER (ENTER/DISP.)**).
- 3 Seleccione "SR+" (↑/↓).
- 4 Seleccione "Encendido" (←/→).

Ítem	Descripción
Apagado	SR+ está inhabilitado.
Encendido	La operación enlazada puede realizarse con la unidad conectada a los conectores SR+.

- 5 Pulse **HOME MENU, INPUT 1 a INPUT 6 (INPUT)** para salir del menú.

NOTA

- Durante la conexión a través de **SR+**, el volumen de esta pantalla de plasma se reducirá al mínimo temporalmente.

Solución de problemas

Problema	Solución posible
<ul style="list-style-type: none"> No se enciende el sistema. No puede encenderse la pantalla de plasma. 	<ul style="list-style-type: none"> ¿Está desconectado el cable de la alimentación? (Consulte la página 18.) ¿Se ha conectado la alimentación principal? (Consulte la página 21.)
<ul style="list-style-type: none"> No puede operarse la pantalla de plasma. 	<ul style="list-style-type: none"> Existen influencias externas como, por ejemplo, los rayos, la electricidad estática, etc., que pueden causar un funcionamiento incorrecto. En este caso, opere la pantalla de plasma después de haber desconectado antes la alimentación de la pantalla de plasma, de haber desenchufado el cable de alimentación y de haberlo vuelto a enchufar después de 1 ó 2 minutos.
<ul style="list-style-type: none"> El mando a distancia no funciona. 	<ul style="list-style-type: none"> ¿Están las pilas insertadas con la polaridades (+, -) bien alineadas? (Consulte la página 20.) ¿Están agotadas las pilas? Cámbielas por pilas nuevas. (Consulte la página 20.) Opere el mando a distancia apuntándolo hacia el sensor de mando a distancia de la pantalla de plasma. (Consulte la página 20.) ¿Lo está utilizando bajo una luz intensa o fluorescente? ¿Ilumina una luz fluorescente el sensor del mando a distancia?
<ul style="list-style-type: none"> No se visualiza ninguna imagen ni se genera ningún audio. 	<ul style="list-style-type: none"> Verifique la conexión de cable con el otro equipo. (Consulte las páginas 33 a 37.)
<ul style="list-style-type: none"> No hay imagen. 	<ul style="list-style-type: none"> ¿Es correcta la conexión a otros componentes? (Consulte las páginas 33 a 37.) ¿Se está introduciendo una señal de PC incompatible? (Consulte la página 37.) ¿Está el selector de entrada en la posición correcta? (Consulte la página 31.)
<ul style="list-style-type: none"> Se visualizan las imágenes pero no se genera ningún audio. 	<ul style="list-style-type: none"> Compruebe si ha seleccionado el volumen mínimo. (Consulte la página 21.) Compruebe si ha silenciado el sonido. (Consulte la página 21.) Cuando emplee INPUT1, INPUT4, INPUT5, o INPUT6 como la fuente de entrada, confirme que los conectores de audio también hayan sido conectados. (Consulte las páginas 33 a 37.)
<ul style="list-style-type: none"> El sonido se revierte entre la derecha e izquierda. Sólo se genera el sonido por un altavoz. 	<ul style="list-style-type: none"> Compruebe si las conexiones de los cables de altavoz no están invertidas entre los canales derecho e izquierdo, o si el cable de altavoz de un de los altavoces no está desconectado. (Consulte la página 15.) ¿Se ha ajustado el balance correctamente? (Consulte la página 28)
<ul style="list-style-type: none"> La imagen queda cortada. 	<ul style="list-style-type: none"> ¿Es correcta la posición de la imagen? (Consulte la página 30.) ¿Se ha seleccionado el tamaño de pantalla correcto? (Consulte las páginas 23 y 32.)
<ul style="list-style-type: none"> El color no está normal, color claro u oscuro, el color no está bien alineado. 	<ul style="list-style-type: none"> Ajuste el tono de la imagen. (Consulte las páginas 25 a 28.) ¿Está demasiado brillante la habitación? La imagen puede aparecer oscura en una habitación que está demasiado brillante. Compruebe el ajuste del sistema de color. (Consulte la página 31.)
<ul style="list-style-type: none"> Imagen remanente 	<ul style="list-style-type: none"> Después de haber visualizado una imagen fija o una imagen muy brillante durante cierto período de tiempo, si la pantalla cambia entonces a una escena más oscura, es posible que se aprecie la imagen anterior como imagen remanente. Este problema podrá rectificarse reproduciendo una imagen en movimiento más bien brillante durante varios minutos. Sin embargo, la visualización de una imagen fija durante períodos prolongados de tiempo ocasionar el deterioro permanente de la pantalla.
<ul style="list-style-type: none"> Brillo diferente de los colores en las partes derecha/izquierda, superior/inferior o central de la pantalla. 	<ul style="list-style-type: none"> La visualización de una imagen del tipo buzón con franjas negras en las partes superior/inferior o derecha/izquierda durante períodos prolongados de tiempo, de forma regular o a diario, puede hacer que se quemen los materiales fluorescentes de la pantalla de plasma, produciendo un retardo de imagen remanente. Por tal razón, se recomienda encarecidamente seleccionar un tamaño de imagen que no produzca tales franjas negras. Visualice contenido que llene por completo la pantalla hasta que se minimice la desigualdad. Es posible que ciertas señales requieran el cambio del ajuste del tamaño de pantalla. (Consulte la página 23)
<ul style="list-style-type: none"> La alimentación se desconecta repentinamente. 	<ul style="list-style-type: none"> Ha subido la temperatura interna de la pantalla de plasma. Extraiga los objetos que bloqueen las rejillas de ventilación o límpielas. (Consulte la página 16.) Compruebe el ajuste del control de la alimentación. (Consulte la página 29.)
<ul style="list-style-type: none"> Sonidos/ruidos del panel 	<ul style="list-style-type: none"> Sonidos generados por el panel como, por ejemplo: Ruido del motor del ventilador, zumbido del circuito eléctrico/zumbido del panel de vidrio son normales en una pantalla de matriz basada en fósforo.

Si se visualizan los siguientes códigos de error en la pantalla, verifique los ítems correspondientes en la tabla.

Código	Mensaje	Comprobación
SD04	Apagando. Temperatura interna demasiado elevada. Compruebe la temperatura PDP.	Compruebe si la temperatura ambiente de la pantalla de plasma está alta.
SD05	Apagando. Circuitos de protección interna activados. ¿Hay un cortocircuito en el cable del altavoz?	Compruebe las conexiones de los cables de altavoz entre la pantalla de plasma y los altavoces.

Especificaciones

Número de píxeles	1920 × 1080 píxeles
Amplificador de audio	13 W + 13 W (1 kHz, 10 %, 8 Ω)
Sistema surround	SRS/FOCUS/TruBass
Requisitos de energía	120 V CA, 60 Hz, 420 W (0,3 W Modo de espera)
Dimensiones	1282 mm (An.) × 750,5 mm (Al.) × 98 mm (Pr.)
Peso	39,8 kg

Sistema de color	PAL/SECAM/NTSC 3.58/NTSC 4.43/PAL 60	
Terminales	INPUT1	DVI (DVI-D)
	INPUT2	HDMI *1
	INPUT3	HDMI *1
	INPUT4	BNC (COMPONENT VIDEO o ANALOG RGB)
	INPUT5	S-VIDEO
	INPUT6	VIDEO

*1 Esto cumple con HDMI1.1 y HDCP1.1.

HDMI (High Definition Multimedia Interface) es una interfaz digital que manipula tanto vídeo como audio utilizando un único cable. HDCP (High-bandwidth Digital Content Protection) es una tecnología utilizada para proteger los contenidos digitales protegidos por derechos de autor que utilizan la interfaz Digital Visual Interface (DVI).

- El diseño y las especificaciones están sujetos a cambios sin previo aviso.

Marcas registradas

- FOCUS, WOW, SRS y el símbolo (●)® son marcas comerciales de SRS Labs, Inc.
- Las tecnologías FOCUS y SRS se ha incorporado con licencia de SRS Labs, Inc.
- Este producto incluye fuentes FontAvenue® bajo licencia de NEC Corporation. FontAvenue es una marca registrada de NEC Corporation.
- HDMI, el logotipo de HDMI, y la interfaz High-Definition Multimedia Interface son marcas comerciales o marcas comerciales registradas de HDMI licensing LLC.
- Los nombres de las compañías o instituciones son los nombres comerciales o marcas registradas de las respectivas compañías o instituciones.



Printed on recycled paper.
Imprimé sur papier recyclé.
Impreso en papel reciclado.

Should this product require service in the U.S.A. and you wish to locate the nearest Pioneer Authorized Independent Service Company, or if you wish to purchase replacement parts, operating instructions, service manuals, or accessories, please call the number shown below.

8 0 0 - 4 2 1 - 1 6 2 5

Please do not ship your product to Pioneer without first calling the Customer Support Division at the above listed number for assistance.

Pioneer Electronics (USA) Inc.
Customer Support Division
P.O. BOX 1760
Long Beach, CA 90801-1760 USA

For warranty information please see the Limited Warranty sheet included with your product.

Should this product require service in Canada, please contact a Pioneer Canadian Authorized Dealer to locate the nearest Pioneer Authorized Service Company in Canada.
Alternatively, please contact the Customer Satisfaction Department at the following address:

Pioneer Electronics of Canada, Inc.
Customer Satisfaction Department
300 Allstate Parkway, Markham, Ontario L3R OP2
(905)479-4411
1(877)283-5901

For warranty information please see the Limited Warranty sheet included with your product.

Si ce produit doit être réparé au Canada, veuillez vous adresser à un distributeur autorisé Pioneer du Canada pour obtenir le nom du Centre de Service Autorisé Pioneer le plus près de chez-vous. Vous pouvez aussi contacter le Service à la clientèle de Pioneer:

Pioneer Électroniques du Canada, Inc.
Service à la clientèle
300, Allstate Parkway, Markham, Ontario L3R OP2
(905)479-4411
1(877)283-5901

Pour obtenir des renseignements sur la garantie, veuillez vous reporter au feuillet sur la garantie restreinte qui accompagne le produit.

S018D_enfr

Published by Pioneer Corporation.
Copyright © 2006 Pioneer Corporation.
All rights reserved.

PIONEER CORPORATION

4-1, Meguro 1-Chome, Meguro-ku, Tokyo 153-8654, Japan

PIONEER ELECTRONICS (USA) INC.

P.O. BOX 1540, Long Beach, California 90810-1540, U.S.A. TEL: (800) 421-1404

PIONEER ELECTRONICS OF CANADA, INC.

300 Allstate Parkway, Markham, Ontario L3R OP2, Canada TEL: 1-877-283-5901

PIONEER EUROPE NV

Haven 1087, Keetberglaan 1, B-9120 Melsele, Belgium TEL: 03/570.05.11

PIONEER ELECTRONICS ASIACENTRE PTE. LTD.

253 Alexandra Road, #04-01, Singapore 159936 TEL: 65-6472-7555

PIONEER ELECTRONICS AUSTRALIA PTY. LTD.

178-184 Boundary Road, Braeside, Victoria 3195, Australia, TEL: (03) 9586-6300

PIONEER ELECTRONICS DE MEXICO S.A. DE C.V.

Bldv.Manuel Avila Camacho 138 10 piso Col.Lomas de Chapultepec, Mexico,D.F. 11000 TEL: 55-9178-4270

K002_A_En