

42PX7DCV

42" Plasma Integrated EDTV



42" PLASMA INTEGRATED EDTV
SHOWN WITH OPTIONAL SWIVEL STAND



- **New!** Pro:Idiom™ Enabled
- **New!** VOD PPV Encryption Built-in
- Full Integration of LST-4100A Interface
- 852 x 480 Resolution
- **Improved!** 5,000:1 Contrast Ratio
Extremely sharp contrast between light and dark images
- 1500 cd/m² High Brightness
Renders an incredibly bright picture, even in well-lit areas
- Image Sticking Minimization, Pixel Orbiter, Inversion, and White Wash Features
- Discrete IR Controls
- XD Engine®
- HDMI™ with HDCP
- Side Audio/Video Inputs
- Integrated ATSC/NTSC/QAM Tuner
- Integrated Speakers and Optional Swivel Stand
- 2 Year Warranty

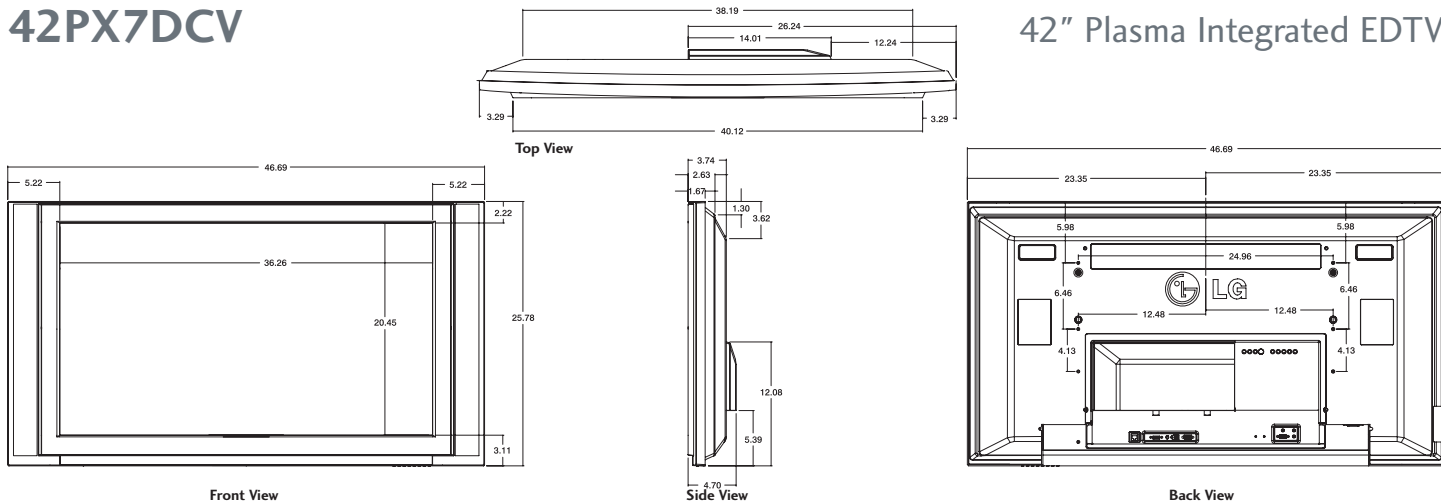


AP-42DX40S
26.14"W x 7.31"H x 10.66"D



42PX7DCV

42" Plasma Integrated EDTV



SPECIFICATIONS

Dimensions

Cabinet without Stand (W x H x D)	46.69" x 25.78" x 4.7"
Weight	66 Lbs.
Cabinet with Stand (W x H x D)	46.69" x 28" x 10.66"
Weight	82.05 Lbs.
Carton Dimension (W x H x D)	50.5" x 29.5" x 11.25"
Shipping Weight	70.5 Lbs.
UPC Code	719192170568

Cabinet Description

Finish	Two Tone
Cabinet Style	Slim Frame
Power Consumption	290W
Power Source	100~240v 50/60Hz

Video

Screen Size	42" Wide Format
Display Resolution	852 x 480
Aspect Ratio	16:9, 4:3 Zoom
Brightness	1500 cd/m ²
Contrast Ratio	5,000:1
Viewing Angle	160°
Format Conversion	Intelligent Image Scanning
Aspect Ratio Correction	7 Modes
Scan Converter	XD Engine®
Picture Control	Contrast, Brightness, Tint, Color, Sharpness
Integrated ATSC/NTSC/QAM	Yes
LST-4100A	Fully Integrated
Comb Filter	3D Digital
Color Temperature	Cool, Mid, Warm
Enhanced Video	Yes
DLTI/DCT1	Yes
Black/Blue Stretcher	Yes
3:2 Pull-Down	Yes
EZ Video	7 Modes

Output Resolutions

NTSC, VGA, SVGA, XGA, SXGA	Yes
EDTV	Yes

Operating Environments

Storage Temperature Range	-22° to 140°F (-30° to 60°C)
Storage Humidity Range	<90%
Altitude	<1,400 m (4,593 ft)
Operating Temperature Range	32° to 104°F (0° to 40°C)
Operating Humidity Range	<80%

Jack Pack

Hi-Res Component Video	1
Audio Left/Right In	2 Rear, 1 Side
Audio In for RGB/DVI (Mini Jack)	Yes
RF In	1 (NTSC & ATSC tuner)
Composite In	1 Rear, 1 Side
RGB In (15-Pin Type-D Connector)	1
S-Video In	1 Rear, 1 Side
RS-232C (9-Pin Connector)	Service Only
HDMI™ with HDCP	2
IR Jack	1
Digital Audio (Optical)	1 Out
(Bathroom) Speaker Out	Yes
RJ-45	1 (Rear, for RJP)
MPI Slot	Yes

Service/Limited Warranty

Warranty: Parts/Labor	2 Year/2 Year
MTBF (Approx.)	60K Hours

Accessories (Optional)

Wall Mount	PWMT300
AP-42DX40S Swivel Stand (W x H x D)	26.14" x 7.31" x 10.66"
UPC Code (Swivel Stand)	719192170414
Unit Weight	16.05 Lbs.
Swivel Radius	+20°/-20° Swivel stand requires a 4" minimum distance from wall
Shipping Carton (W x H x D)	29.25" x 9.75" x 14.5"
Shipping Weight	21 Lbs.

Audio

SRS TruSurround XT™
Auto Volume Leveler (EZ SoundRite™)
EZ Sound with 6 Modes
Mono/Stereo/MTS/SAP
Bass/Treble/Balance
Total Audio 30W (2 x 15W)
Dolby Digital Decoder™

Special Features

HD VOD PPV Encryption
Pro:Idiom™ Enabled
Picture-In-Picture (PIP), POP, Double Window (Fixed Size)
Trilingual Menus (English/Spanish/French)
MPI Protocol
RS-232 Control (Service Only)
Discrete IR Controls
Calibration Mode
Channel Labeling
Favorite Channel
Decryption
RJP Plug & Play Support
Auto-Power On (Installer Menu Only)
Discrete Power Off
Last Source On
Image Sticking Minimization with Pixel Orbiter, White Wash, Inversion
Auto Program
Key Lock-Out
Clock
On/Off Timer, Sleep Timer
Closed Caption Analog/Digital
Parental Control w/V-Chip

Required Approvals

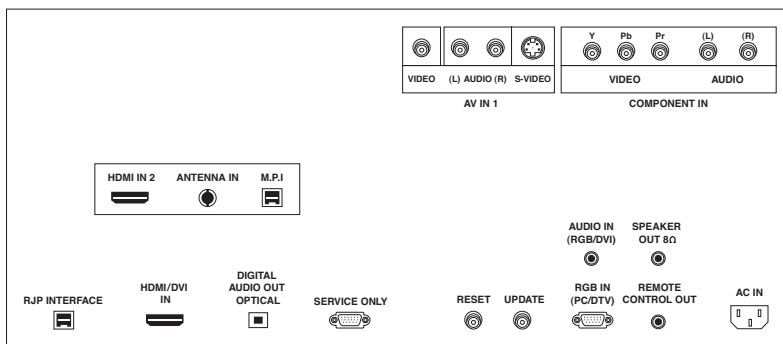
UL, C-UL, NOM, FCC (B)

Accessories (Supplied)

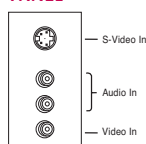
Remote Control
Power Cord (6 Feet)



REAR JACK PANEL



SIDE JACK PANEL



www.LGcommercial.com

LG Electronics U.S.A., Inc. 2000 Millbrook Drive, Lincolnshire, IL 60069 Customer Service: 1-888-865-3026

Dimensions and weights are approximate. Design and specifications subject to change without notice. Dolby and the double-D symbol are registered trademarks of Dolby Laboratories. TruSurround XT™ is a trademark of SRS Labs, Inc. VESA™ is a registered trademark of Video Electronics Association. The "LG Life's Good" and XD Engine® are registered trademarks of LG Electronics U.S.A., Inc. ©2007 LG Electronics U.S.A., Inc. All other corporate and brandnames are trademarks of their respective owners. Printed in the USA.

