

42" CLASS (42.0" DIAGONAL)

M4212C-BH

LCD
MONITOR

LCD Widescreen

HD Capable
Monitor/HDTV*



DESIGNED SPECIFICALLY FOR THE HEALTHCARE INDUSTRY

HOSPITAL GRADE LISTED FOR IN-ROOM USE

DISPLAY RESOLUTION
1366 x 768 (WXGA)

HIGH BRIGHTNESS
500 cd/m²

CONTRAST RATIO
3000:1

INPUTS
HDMI™/Composite (BNC)/Component (BNC)/S-Video

SUPER IPST™ 178° VIEWING ANGLE

OSD AND REMOTE CONTROL LOCK

RS-232C CONTROL

10W 2CH SPEAKERS (optional)

3 YEAR LIMITED WARRANTY
(parts/labor)

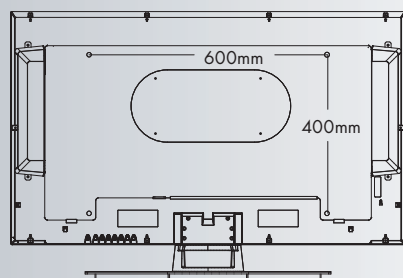
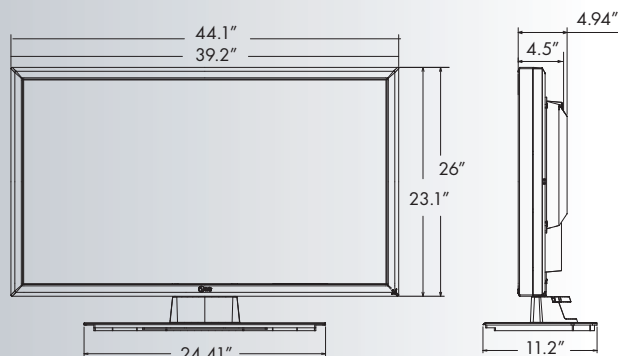


* ATSC/NTSC/Clear QAM tuner, Pro:Idiom®, and Pillow Speaker interface are available when used in conjunction with optional HCS5650 interface box. HCS5650 has a 1 year limited warranty.

Note: HDTV monitors require an optional set-top-box to receive high-definition broadcast.

www.LGcommercial.com





REAR JACK INPUTS



PANEL

Screen Size	42" Class
Display Area	42.0" Diagonal
Aspect Ratio	16:9
Native Resolution	1366 x 768 (WXGA)
Pixels (H x V x 3)	3,147,264
Brightness	500 cd/m ²
Contrast Ratio	3000:1 (DCR)
Viewing Angle (H x V)	178°/178°
Color Depth	16.7 Million (8bits)
Response Time	9 ms (G to G)
Surface Treatment	Hard Coating (3H), Anti-glare
MTBF	Approx. 50,000 Hr. (Minimum)
VIDEO	
Max Input Resolution	1600 x 1200 @ 60Hz (Analog) 1280 x 1024 @ 60Hz (Digital)
Recommended Resolution	1360 x 768 @ 60Hz (Analog/Digital)
H-Scanning Frequency	30 ~ 83kHz (Analog/Digital)
V-Scanning Frequency	56 ~ 75 Hz
Pixel Frequency	165 MHz (D-Sub)/135 MHz (HDMI/DVI)
Sync Compatibility	Separate/Composite/SOG
Video Input	RGB Analog/Digital
EZ Picture/PSM	Dynamic/Standard/Mild/User1/User2
CSM	Warm/Normal/Cool/User
XD Engine®	Yes
Enhanced Noise Reduction	3D NR/(MPEG NR)
Digital Comb Filter	3D

SPECIFICATIONS

DLTI (Digital Luminance Transient Improver)	Yes
DCTI (Digital Color Transient Improver)	Yes
Cinema 3:2/2:2 mode	Yes
Aspect Ratio Correction	Spectacle/Full/Original/4:3/16:9/14:9/Zoom

REAR JACK PACK

Component Video	2 Hi-Res (BNC)
PC Input via 15-Pin Sub "D"	1/1 (RGB)
Input/Output	
Composite Video Input/Output	1 (BNC)/1 (BNC)
Audio Output	1
Audio Inputs	3 Plus PC Sound
HDTV Formats	720p/1080i
PC Formats	Auto Scaling to XGA
HDMI/HDPC	Yes (HDMI to DVI cable not included)
RS-232C Input/Output	1 (Service/Control)/1
S-Video	1 (S-Video has a priority but there is no input mode)
Audio Jack Built-in (No Amp)	Yes
Discrete IR Input	Yes
External Speaker Jack Out	Yes

AUDIO

On Screen Equalizer	Yes
EZ SoundRite/Auto Volume Limiter	Yes
Audio Power	20W (10W x 2)
Bass/Treble/Balance	Yes
EZ Sound/SSM	Surround MAX/Flat/Music/Movie/Sports/User

SPECIAL FEATURES

Temperature Sensor	Yes
Lamp Fault Sensor	Yes
Split Zoom (Self Video Wall, Max 4 x 4)	Yes (Adjusts for bezel width)
Source Selection	Digital (HDMI/DVI)/Analog (RGB)/Component 1, 2/AV
Brightness/Contrast	Yes
Color	Warm/Normal/Cool User Control (R/G/B)
Position	H/V
Tracking	Auto/Clock/Phase
Set-up	Language(English/French/Spanish/Korean/Italian/ German/Portuguese)
ISM Method	Normal/White wash/Orbiter/Inversion
XD	XD Contrast/XD Color/XD NR/MPEG NR
Advanced	Cinema/Black level
Time	Clock/Off time/On time
Special	Auto Adjust, OSD Lock
Mute	Yes
Sleep Timer	Yes
Auto Power/Source Memory	Yes
Child Lock	Yes
Power indicator/Logo light	Yes
Remote Control	Yes

CABINET

Color	Black
Monitor Dimension (W x H x D)	39.2" x 23.1" x 4.5"
Weight	46.7 lbs
Carton Dimensions (W x H x D)	44.1" x 26" x 11.2"
Packed Weight	55.6 lbs
VESA™ Mounting	600mm x 400mm
Optional Speakers	Yes (SP0000K)

POWER

Power Cord	UL Hospital Grade Listed
Power Supply	100-240V~, 50/60Hz
Power Type	Built-in Power
Power Switch Type	Tact Switch
Power Consumption	
Normal	220 W
Stand-by/Suspend	1 W (RGB)/4 W (HDMI/DVI)
DPM Off	1 W (RGB)/4 W (HDMI/DVI)
Switch Off	1 W

STANDARD (CERTIFICATION)

Safety	UL/c-UL/CB scheme/TUV/NEMKO
EMC	FCC Class "B"/VCCI/C-tick/GOST/CE/MIC
RoHS Compliant	Yes
UL and cUL Listed for Hospital Use in USA and Canada	Yes

OPTIONAL ACCESSORIES (ORDER THROUGH LG)

Speakers (SP0000K)	Black
Speaker Dimensions (W x H x D) (each)	1.61" x 12.92" x 2.17"
Weight (each)	0.815 lbs
Packaging Dimensions (WxHxD)	15.12" x 5.28" x 6.85"
Packed Weight	2.36 lbs (2 speakers/1 package)
HCS5650 Interface box	Provides integrated HD Tuner, Pro:Idiom and pillow speaker port

LIMITED WARRANTY (PARTS/LABOR)

M4212C-BH	3 years (parts and labor)
Optional HCS5650	1 year (parts and labor)
UPC CODE	7 19192 18511 1

www.LGcommercial.com



LG Electronics U.S.A., Inc.
Commercial Products Division
2000 Millbrook Drive
Lincolnshire, IL 60069

Customer Service: 888.865.3026

Contact your LG Regional Sales Representative
Healthcare: 877.793.6484

SPEC_M4212C-BH_080825_PR



All screen images are simulated. Dimensions and weights are approximate. Design, features and specifications subject to change without notice.

© Copyright 2008 LG Electronics USA, Inc. All Rights Reserved. "LG Life's Good" is a registered trademark of LG Corp. XD Engine is a trademark of LG Electronics USA, Inc.

VESA is a trademark of Video Electronics Standards Association. All other product and brand names are trademarks or registered trademarks of their respective companies.

Printed in the USA. September 2008