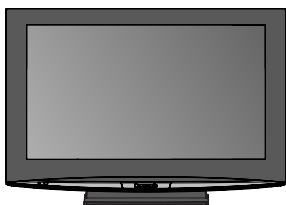


## Product summary



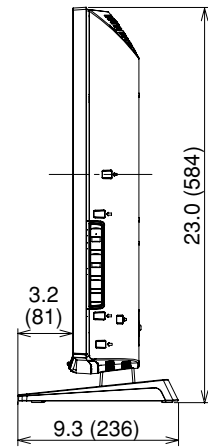
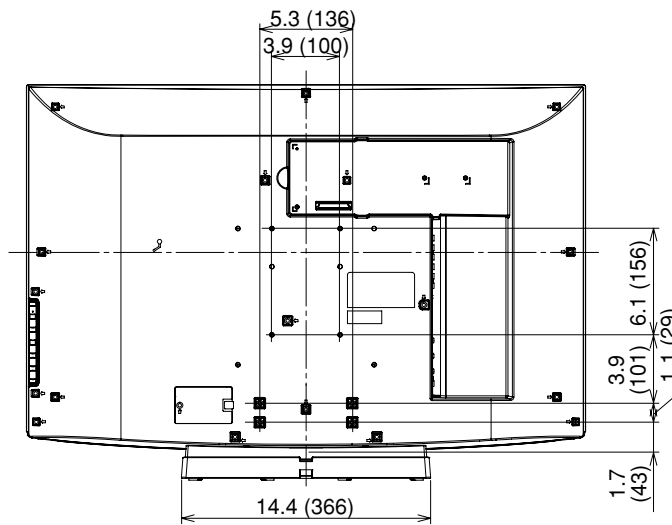
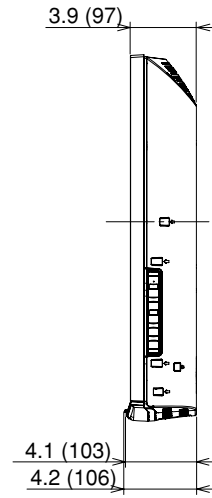
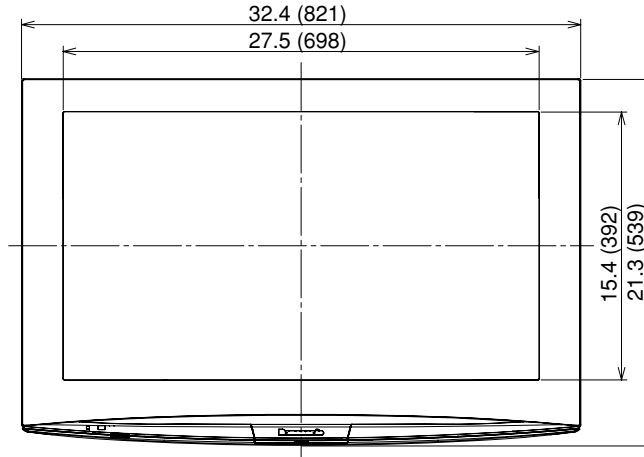
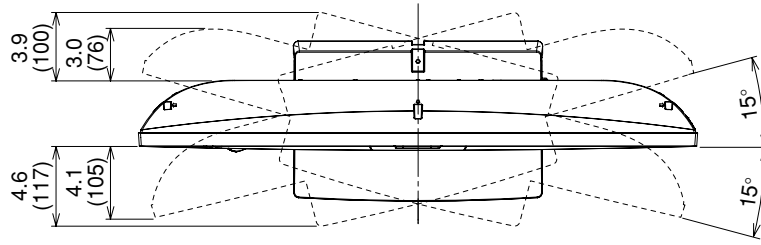
- 32" High Definition LCD Display designed for hotel guest suite TV application.
- Tuner card (option) offers Pro:Idiom decryption of HD premium content and also High Definition IPTV
- Available with various hotel-mode settings like Initial Input, Max Volume, etc..
- Compact design with speakers and various terminals

## Product specification (Design and specifications subject to change without notice)

DISPLAY	
Screen Size (Diagonal)	31.5-inch (800 mm)
Aspect Ratio	16:9
Effective Display Area (W x H)	27.5" x 15.4" (698 x 392 mm)
Resolution (H x V)	1,366 x 768 pixels
Brightness	480 cd/m <sup>2</sup>
Contrast	1,100:1
Viewing Angle	Horizontal: 176°, Vertical: 176°
Response Time	8.5 ms
APPLICABLE SIGNALS	
Scanning Format	NTSC, PAL, SECAM 525 (480) / 60i · 60p, 625 (575) / 50i · 50p, 750 (720) / 60p · 50p, 1125 (1080) / 60i · 60p · 50i · 50p
PC Signal Compatibility	VGA, SVGA, XGA Horizontal scanning frequency 31.469 - 60.023 kHz Vertical scanning frequency 56 - 85 Hz
INPUT / OUTPUT TERMINAL	
HDMI Input	TYPE A Connector x 3 (Side)
S-Video Input	MINI Din 4 pin x 2 (Side), x 1 (Front) Y: 1.0 V [p-p] (75 Ω) C: 0.286 V [p-p] (75 Ω)
Composite Input	RCA x 2 (Side), x 1 (Front) 1.0 V [p-p] (75 Ω)
Audio Input (L/R)	RCA pin jack (L/R) x 2 (Side), x 1 (Front) 0.5 V [rms]
Component Input	RCAx 1 (Side) Y: 1.0 V [p-p] (75 Ω) P <sub>B</sub> , P <sub>R</sub> : 0.7 V [p-p] (75 Ω)
Audio Input (L/R)	RCA pin jack (L/R) x 1 (Side) 0.5 V [rms]
PC Input	MINI D-SUB 15 pin x 1 (Female) G: 0.7 V [p-p] (75 Ω) B: 0.7 V [p-p] (75 Ω) R: 0.7 V [p-p] (75 Ω) HD/VD: 1.0 - 5.0 V [p-p] (High impedance)
Audio Input	M3 JACK x 1 0.5 V [rms]
Serial	D-SUB 9 pin x 1 (External control terminal), RS-232C Compatible
Audio Output	RCA pin jack (L/R) x 1 (Side)
32 Pinconnector	32 pin x 1 (Rear)
ELECTRICAL	
Power Requirements	110- 127 V AC, 50 Hz/60 Hz
Power Consumption	155 W
Stand-by Condition	1.0 W
SOUND	
Audio Output	20 W [10 W + 10 W], 10 % THD
MECHANICAL	
Dimensions (W x H x D)	32.4" x 21.3" x 3.9" (821 x 539 x 97 mm) (4.2" (106 mm) when including protruding portion of power button)
Dimensions (W x H x D) with pedestal	32.4" x 23.0" x 9.3" (821 x 584 x 236 mm)
Weight (display set only)	approx. 30.9 lbs. (14.0 kg)
Weight (with pedestal)	approx. 36.4 lbs. (16.5 kg)
Cabinet Color	Black
OPERATING ENVIRONMENT	
Temperature	32 °F to 104 °F (0 °C to 40 °C)
Humidity	20 % to 80 % (Non condensation)
SAFETY REGULATIONS	
UL6500 Ver.2, NOM approval	
RADIATION REGULATIONS	
FCC Part 15 Class-B, ICES-003, NOM approval	
REMOTE CONTROL TRANSMITTER	
Power Requirements	DC 3 V (2 x AA Size batteries)
Operation Distance	approx. 23 ft (7 m) in front of LCD display
Weight	approx. 4.9 oz (140 g) including batteries
INCLUDED ACCESSORIES	
• HDMI Cable • Operating Instruction Book • Remote Control Transmitter • Batteries	
OPTIONAL ACCESSORIES	
• Wall-hanging Bracket (vertical, angled) • Tuner Card	

**■Dimensions (Shown with optional Pedestal stand)**

Units : inches (mm)



**<Front terminal>**



**<Side terminal>**

