

d:3232DII

PRO CONTRACTOR SERIES

Finding the right low-cost, high performance LCD display these days is hard work. Firstly, with all the low price no-brand products out there, who can really know what quality and lasting value you're really getting? At bydsign, our products are designed for the professional AV contractor who demands the very best at a price that's affordable. Our CONTRACTOR series is designed with you, the Pro AV service provider in mind. The display, base and speakers are all sold separately, so there's no waste. Also our products are fully loaded, including ATSC tuner and universal remote control.

specification:

| | |
|----------------|---|
| type: | CMO liquid crystal display (LCD) |
| display: | 32" measured diagonally |
| aspect ratio: | 16:9 widescreen |
| video chipset: | ZORAN ZR39660 |
| resolution: | 1366x768 (WXGA) (HD 1080i) |
| pixel pitch: | .173mm X .518mm |
| brightness: | 600 (nit) cd/m ² |
| contrast: | 1000:1 |
| viewing angle: | 176 degree |
| response time: | 8 ms |
| TV tuner: | ATSC/NTSC/QAM digital off air |
| audio: | 8 watts, SRS detachable speaker optional |
| terminals: | (2) composite video (1) S-Video (1) VGA D-SUB (1) HDMI (2) component (Y,Pb/Cb,Pr/Cr) (1) audio/video out (1) stereo headphone |
| other: | supports CCD and V-Chip, sleep timer, full function remote control, PIP (VOG), 3:2, 2:2 pull down, tilt pedestal base. |

technical:

| | |
|---------------|---|
| power supply: | AC 100 – 240v, 50/60hz |
| power cons.: | maximum 200 watts |
| standby cons: | <3 watt |
| wall mount: | VESA standard |
| regulatory: | FCC-B, UL 1950, Canadian ICES 003-B, EPA, CSA, C22.2 no.950 |

shipping and packaging:

| | |
|-----------------|---------------|
| gross weight: | 70.5 lb/32 kg |
| product weight: | 50.7 lb/23 kg |

package dim: (L x W x H)

37" X 13" X 30.8" 940mm X 330mm X 783mm

container loading:

20' (114pcs), 40' (234pcs), 40'HQ (234pcs)

US headquarters: 2279 North Rampart Boulevard
Las Vegas, NV. 89128 (702) 228-7711
visit us at: www.bydsign.com

US and Canadian version d:3232DII 32" precision HD LCD digital television



frontal view, straight on

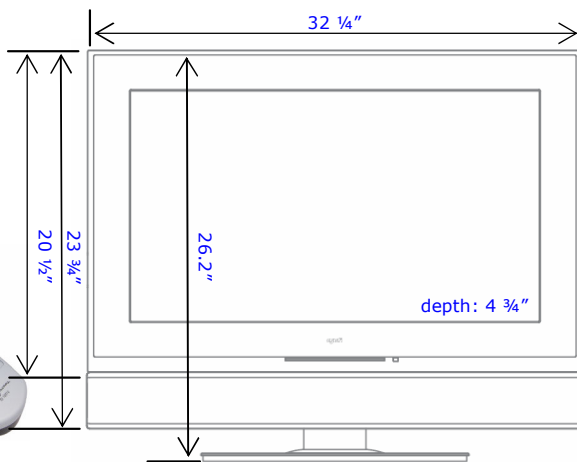


back view

frontal and back view, with optional pedestal and under speaker attached

PLEASE NOTE: CONTRACTOR SERIES products are display panel ONLY. Speaker and pedestal base are optional accessories that must be ordered separately.

Stereo speaker system: d:3218SSP UPC: 872152000739
Pedestal base: d:3218PB UPC: 872152000746



product dimensions



remote control

precision engineered – designed in Tokyo, Japan – factory direct for maximum value



byd:sign
worldwide



ZORAN

HDMI
HIGH-DEFINITION MULTIMEDIA INTERFACE

CMO

HDTV
HIGH-DEFINITION TELEVISION

In our progressive search for continued technical and design excellence, we continually modify the look and performance of our products. Therefore, specifications and features are subject to change without notice.

copyright – the bydsign company worldwide, all rights reserved